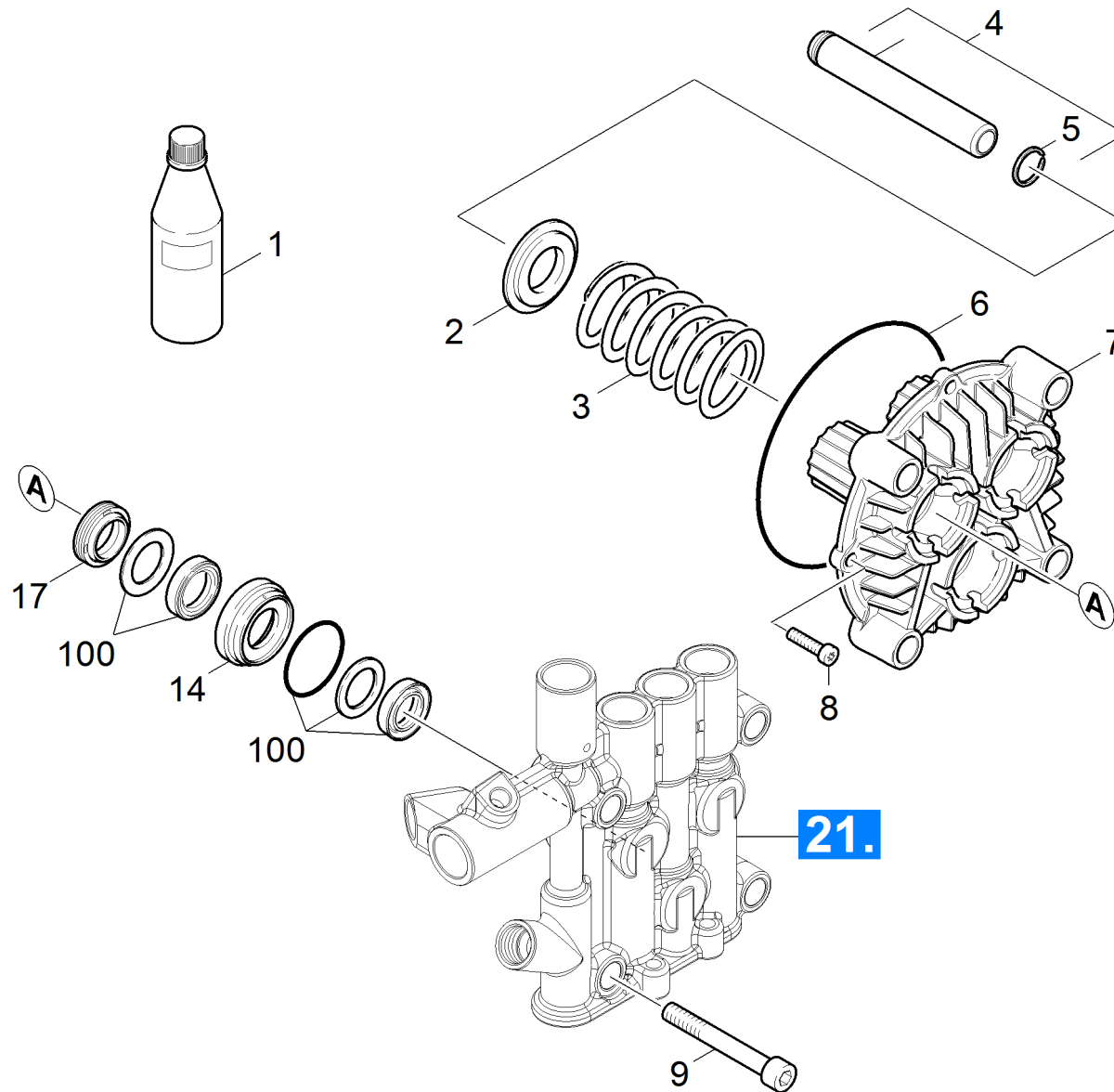


22 Piston

Professional \ High pressure cleaner hotwater \ Electric motor \ HDS 6/14-4 CX *EU \ Spare parts list HDS 6/14-4CX \ Pump set \ Piston



22 Piston

Professional \ High pressure cleaner hotwater \ Electric motor \ HDS 6/14-4 CX *EU \ Spare parts list HDS 6/14-4CX \ Pump set \ Piston

The KÄRCHER logo is displayed in a bold, black, sans-serif font. The letter 'A' is stylized with a horizontal bar through its center. Below the text is a solid yellow horizontal bar.

POS	Article no.	Description	Quantity	Unit
1	6.288-016.0	Gear oil 1L	1.000	ST
2	5.116-325.0	Washer	3.000	ST
3	5.332-550.0	Helical spring	3.000	ST
4	4.553-293.0	Piston complete only for replacement	3.000	ST
5	7.343-473.0	Snap ring 18 -FST DIN 9925	3.000	ST
6	6.362-613.0	O-Ring seal 101,27X 2,62-NBR 70	1.000	ST
7	5.061-208.3	Thrust guidance D18	1.000	ST
8	7.306-105.0	Screw M6x30 -8.8-R3R (In6Rd)	2.000	ST
9	7.306-155.0	Cylinder head screw M12x100 -8.8-A3E IS	4.000	ST
14	5.112-340.3	Bush	3.000	ST
17	6.365-334.0	Grooved ring 18X26X6/8	3.000	ST
100	2.884-008.0	Pump set	1.000	ST