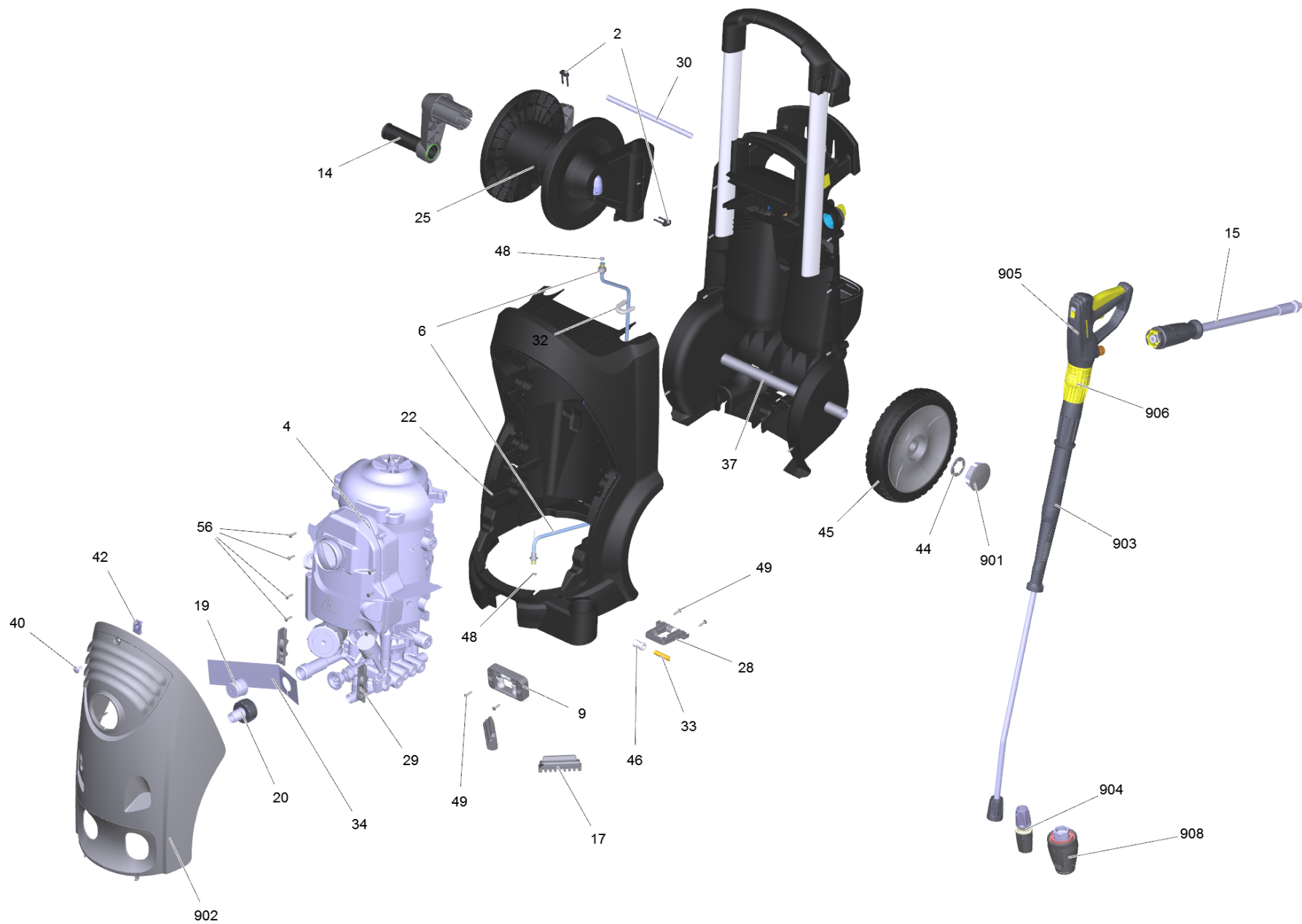


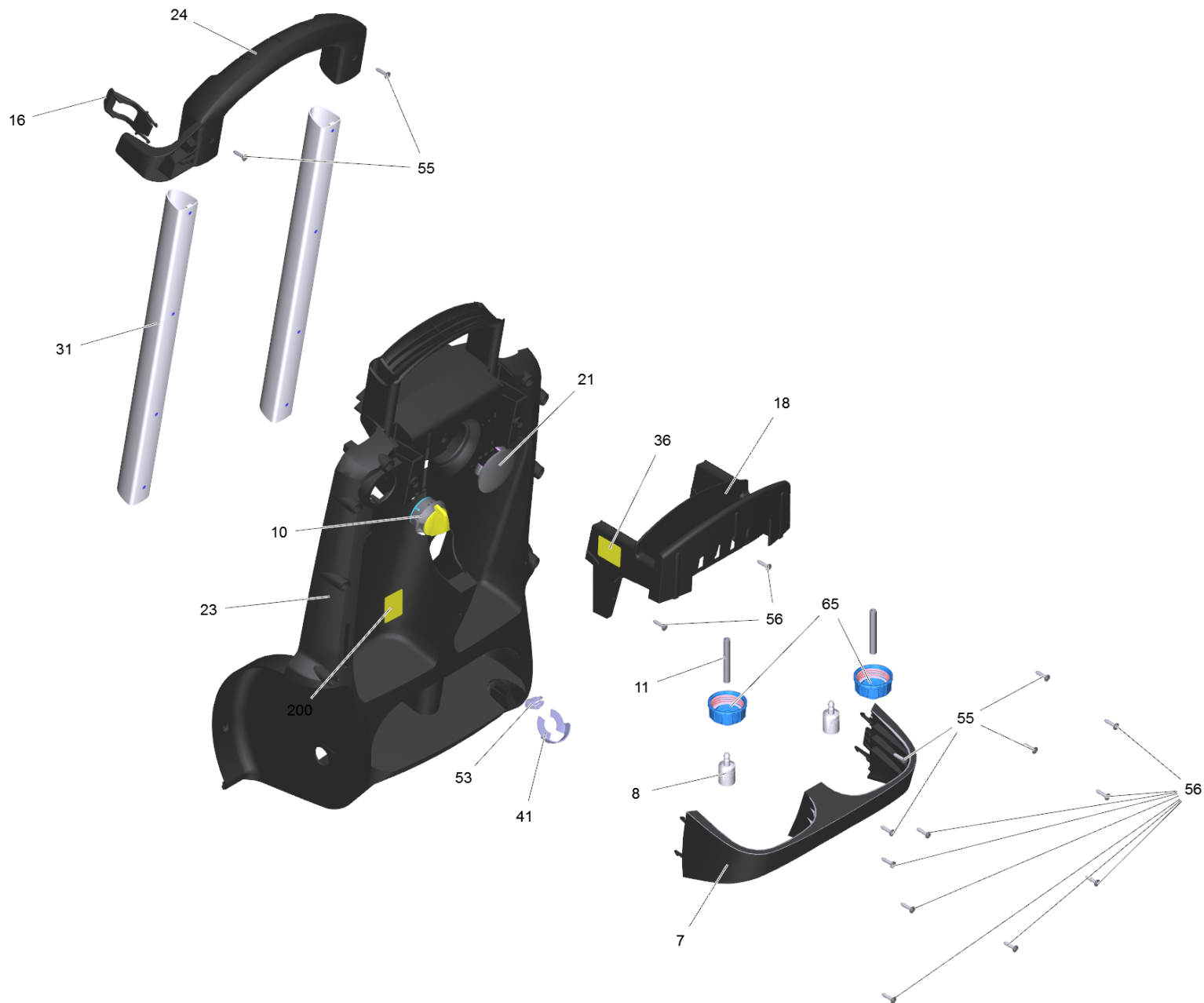
Spare parts list

(5.974-377.0) Spare parts list HD 9/20-4 MX Plus *EU-I

Table of contents

Spare parts list HD 9/20-4 MX Plus *EU-I (5.974-377.0)	3
4 Pump set	7
2 Thrust guidance complete	10
10 Piston complete (4.553-279.0)	12
3 Cylinder head complete	14
2 Valve (3 Stueck) (2.884-512.0)	17
3 Valve complete (4.580-594.0)	19
21 Valve seat complete (4.481-226.0)	21
82 Pressure gauge complete (4.423-024.0)	23
901 SPARE PARTS SET (2.883-988.0)	24
902 Manifold complete (4.427-310.0)	26
903 Set excess-current (4.591-056.0)	28
904 Nozzle insert (4.769-026.0)	30
5 Filter complete	32
999 Motor complete only for replacement (4.623-871.0)	34
9 Holder roller complete	36
15 Hose assembly TR rotatable DN8 31,5MPa 1 (6.110-018.0)	38
20 Set water connection 1 " (2.640-492.0)	40
25 Hose reel complete	42
10 Spare part set (2.884-858.0)	44
11 Spare part set (2.884-857.0)	46
65 Cover cleaning agents complete (4.060-866.0)	48
903 Jet pipe TR 1050 mm (4.112-000.0)	50
1 Jet pipe TR 1050 mm (4.112-012.0)	51
904 Triple jet nozzle TR 050 (4.117-037.0)	53
1 Triple jet nozzle TR 050	54
905 EASY!Force Advanced (4.118-005.0)	56
9000 Spare part set lever (2.885-483.0)	58
906 Rotary controller TR 416L (4.118-008.0)	60
1 Rotary controller TR 416L	61
908 Dirt blaster TR 050 Prof. (4.114-027.0)	63
999 Spare part set dirt blaster 05 (2.883-472.0)	65



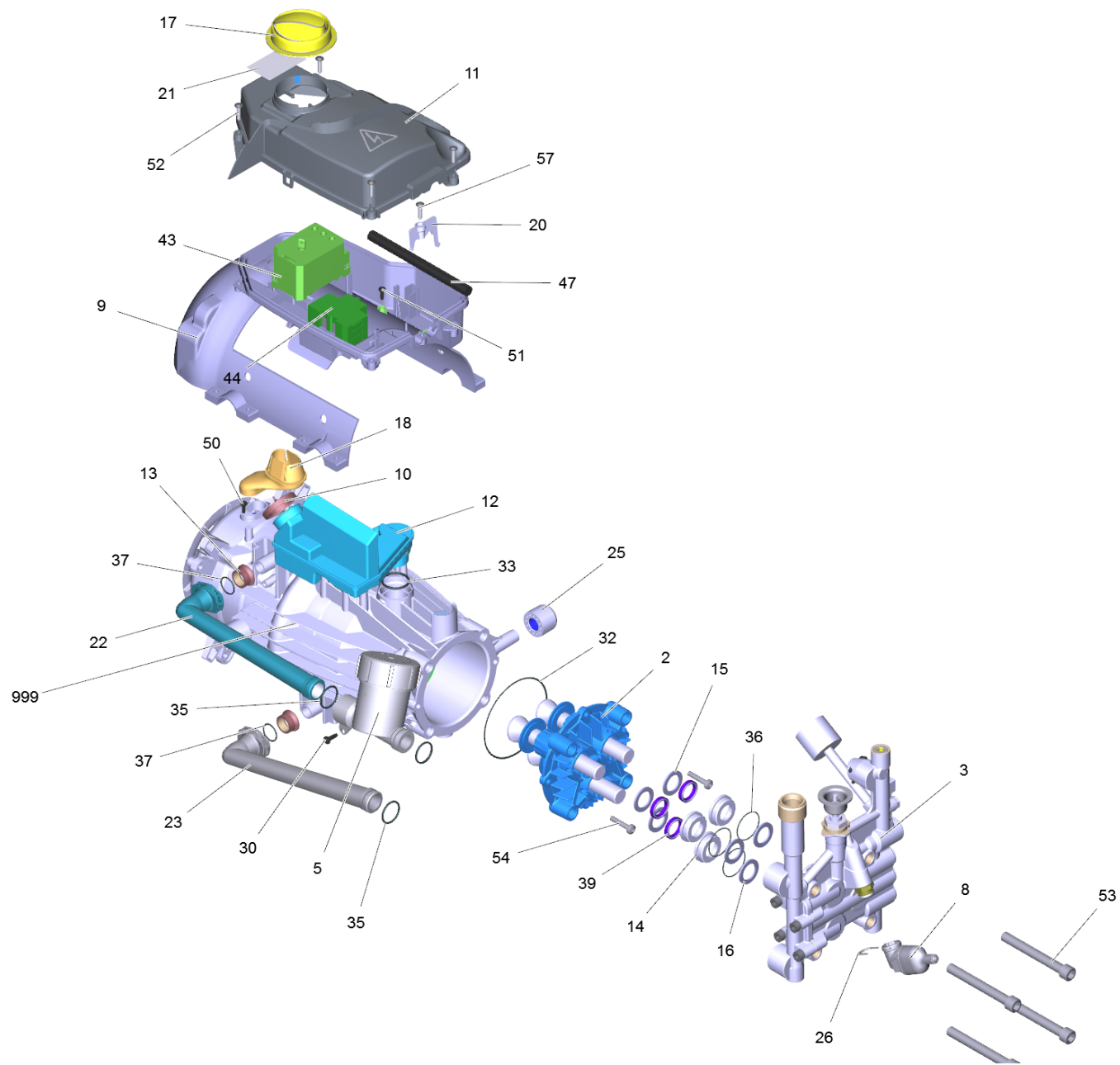


Spare parts list HD 9/20-4 MX Plus *EU-I (5.974-377.0)

POS	Article no.	Description	Quantity	Unit	Foot note text
2	4.037-013.0	Hook	2.000	ST	
4		Pump set	1.000	ST	
6	4.422-038.0	Pipelines complete	1.000	ST	
7	5.032-747.0	Retaining bracket	1.000	ST	
8	5.731-652.0	Filter with weight	1.000	ST	
9		Holder roller complete	1.000	ST	
10	4.580-645.0	Proportioning valve chemistry	1.000	ST	
11	6.388-216.0	Hose DN 5	1.000	M	TO ORDER AS CUT GOODS
14	4.481-213.0	Crank complete	1.000	ST	
15	6.110-018.0	Hose assembly TR rotatable DN8 31,5MPa 1	1.000	ST	
16	5.044-216.0	Holder	1.000	ST	
17	5.057-062.0	Support	2.000	ST	
18	5.044-735.0	Holder	1.000	ST	
19	6.368-080.0	Protecting cap	1.000	ST	
20	2.640-492.0	Set water connection 1 "	1.000	ST	
21	5.032-475.0	Covering cap cover	1.000	ST	
22	5.050-252.0	Frame front part	1.000	ST	
23	5.050-431.0	Frame rear panel	1.000	ST	
24	5.321-751.0	Handhold	1.000	ST	
25		Hose reel complete	1.000	ST	
28	5.044-647.0	Holder roller rear	1.000	ST	
29	5.802-288.0	Mounting part	2.000	ST	
30	5.107-263.0	Bar VA	1.000	ST	
31	5.107-262.0	Bar	2.000	ST	
32	5.032-782.0	Moulded part	1.000	ST	
33	5.128-511.0	Axle	1.000	ST	
34	5.393-992.0	Label instruction Nippel abschneiden	1.000	ST	
36	5.387-620.0	Warning sticker-Prevent from freezing	1.000	ST	
37	5.105-413.0	Axle	1.000	ST	
40	6.304-099.0	Saucer-head screw M 6x 18-4.8-R2R	1.000	ST	
41	6.343-186.0	Locking ring	1.000	ST	
42	6.310-053.0	Putting nut	1.000	ST	
44	6.343-162.0	Lock washer -25	2.000	ST	

Spare parts list HD 9/20-4 MX Plus *EU-I (5.974-377.0)

POS	Article no.	Description	Quantity	Unit	Foot note text
45	4.515-343.0	Wheel complete	2.000	ST	
46	5.515-191.0	Roller	1.000	ST	
48	4.363-691.0	O-Ring seal kpl. -nur fuer Ersatz-	2.000	ST	
49	7.303-110.0	Screw 5x35 -10.9-R2R (In6Rd)	4.000	ST	
53	5.044-802.0	Cable clip	1.000	ST	
55	7.303-048.0	Screw M6x20 -St-R3R (In6Rd)	6.000	ST	
56	7.303-108.0	Screw 5x20 -10.9-R2R (In6Rd)	19.000	ST	
65	4.060-866.0	Cover cleaning agents complete	2.000	ST	
200	5.384-666.0	Label 87 dB	1.000	ST	
901	2.889-086.0	Set wheel cap	1.000	ST	
902	5.069-413.3	Device cover basalt grey only for replacement	1.000	ST	
903	4.112-000.0	Jet pipe TR 1050 mm	1.000	ST	
904	4.117-037.0	Triple jet nozzle TR 050	1.000	ST	
905	4.118-005.0	EASY!Force Advanced	1.000	ST	
906	4.118-008.0	Rotary controller TR 416L	1.000	ST	
908	4.114-027.0	Dirt blaster TR 050 Prof.	1.000	ST	

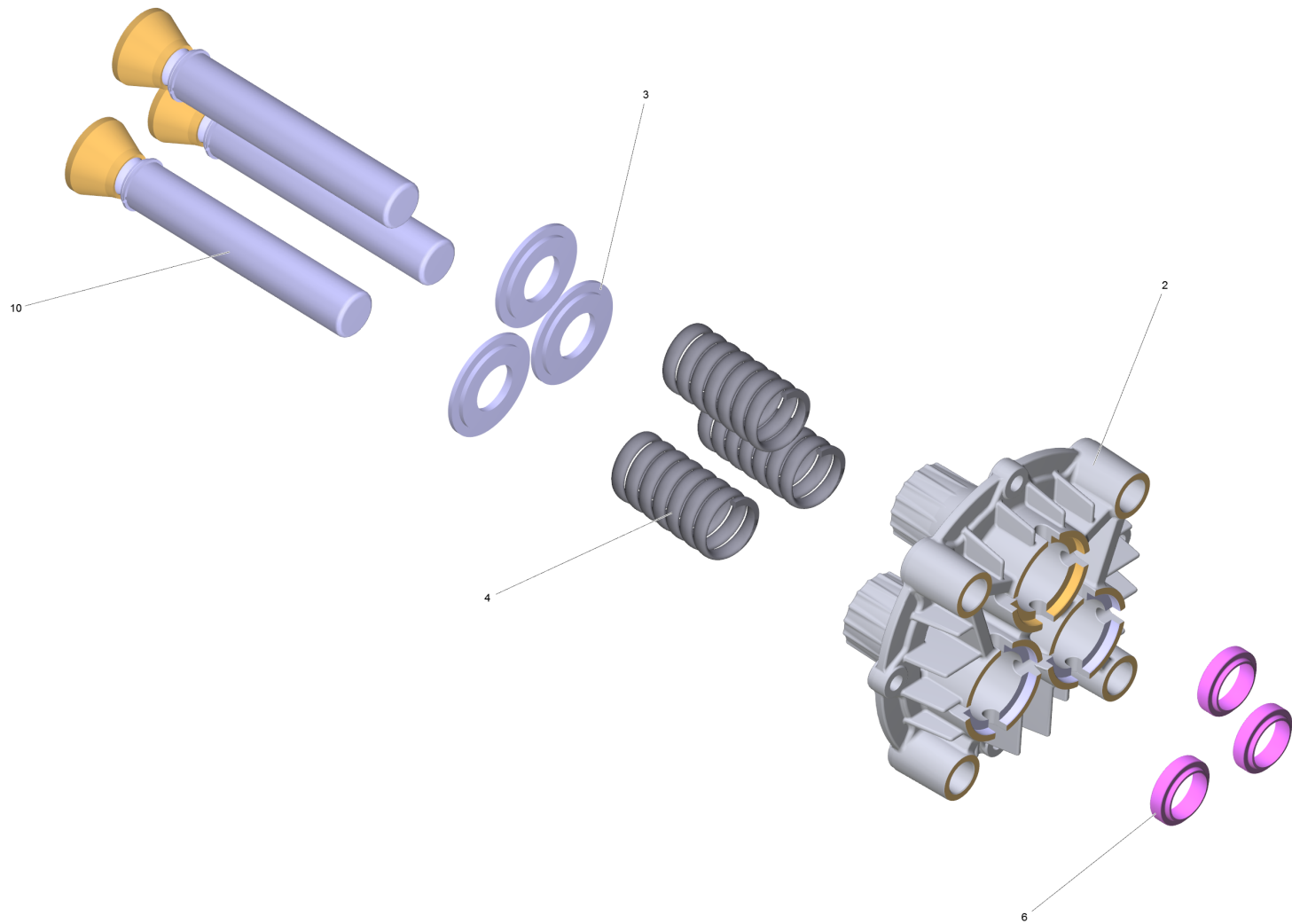


4 Pump set

POS	Article no.	Description	Quantity	Unit
2		Thrust guidance complete	1.000	ST
3		Cylinder head complete	1.000	ST
5		Filter complete	1.000	ST
8	4.744-242.0	Switch kpl. -nur für Ersatz-	1.000	ST
9	5.692-083.0	Air circulation electric control box bot	1.000	ST
10	5.064-457.0	Cover plate qusty grey oil	1.000	ST
11	5.064-176.0	Cover	1.000	ST
12	5.070-658.0	Tank oil	1.000	ST
13	5.110-341.0	Sleeve	2.000	ST
14	5.112-778.0	Bush	3.000	ST
15	5.115-255.0	Washer	3.000	ST
16	5.115-538.0	Washer	3.000	ST
17	5.322-101.0	Handle yellow	1.000	ST
18	5.365-270.0	Profile gasket	1.000	ST
20	5.263-051.0	Tensioning part	1.000	ST
21	5.391-148.0	Warning sign high-pressure	1.000	ST
22	5.427-307.0	Manifold	1.000	ST
23	5.427-298.0	Manifold short	1.000	ST
25	5.767-005.0	Rubber buffer	4.000	ST
26	5.034-494.0	Retaining bracket	1.000	ST
30	6.303-153.0	Screw M5x15-ST-R2R (IN6RD)	1.000	ST
32	6.362-613.0	O-Ring seal 101,27X 2,62-NBR 70	1.000	ST
33	6.362-722.0	O-Ring seal 28,0 X 3,0	1.000	ST
35	6.362-686.0	O-Ring seal 20,0 X 3,0	2.000	ST
36	6.362-406.0	O-Ring seal 33,05X 1,78-NBR 70	3.000	ST
37	6.362-579.0	O-Ring seal 17,5 X 3,5	2.000	ST
39	6.365-380.0	Set of gaskets low-pressure	3.000	ST
43	6.631-190.0	Motor protecting switch	1.000	ST
44	6.632-414.3	Contacto LC1-D18V7SC090	1.000	ST
47	6.649-442.0	Cable with plug	1.000	ST
50	7.303-031.0	Screw M4x10 -St-P2R (In6Rd)	1.000	ST
51	7.303-134.0	Screw 4x8 -8.8-R2R (K-In6Rd)	1.000	ST
52	7.303-108.0	Screw 5x20 -10.9-R2R (In6Rd)	4.000	ST

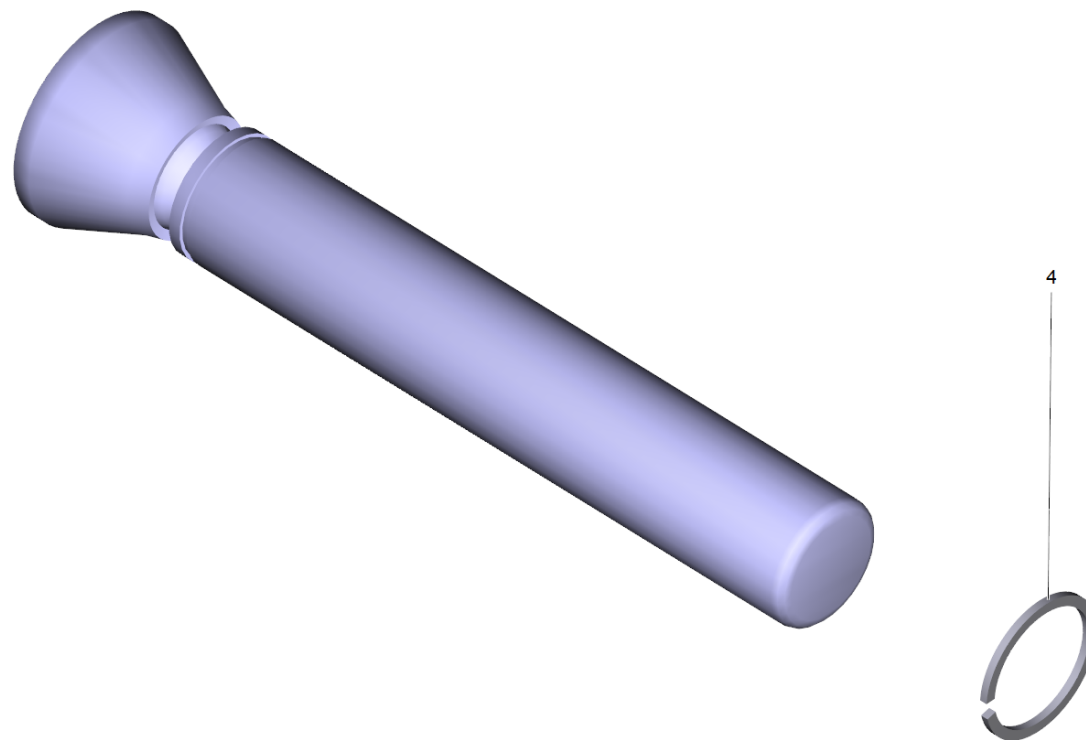
4 Pump set

POS	Article no.	Description	Quantity	Unit
53	7.306-155.0	Cylinder head screw M12x100 -8.8-A3E IS	4.000	ST
54	7.306-105.0	Screw M6x30 -8.8-R3R (In6Rd)	2.000	ST
57	7.303-109.0	Screw 5x25 -10.9-R2R (In6Rd)	1.000	ST
999	4.623-871.0	Motor complete only for replacement	1.000	ST



2 Thrust guidance complete

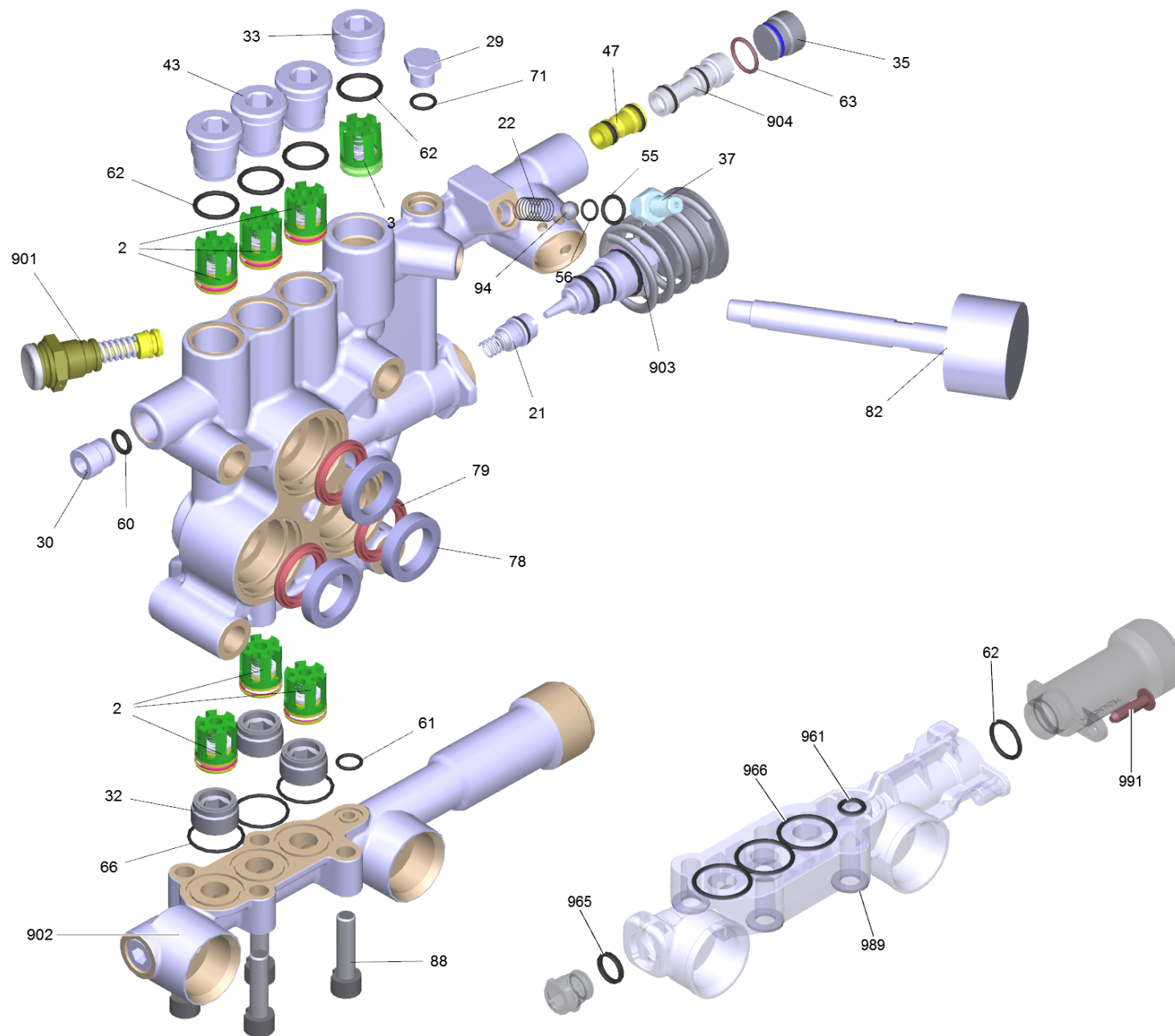
POS	Article no.	Description	Quantity	Unit
2	5.061-185.3	Thrust guidance	1.000	ST
3	5.116-310.0	Washer	3.000	ST
4	5.332-550.0	Helical spring	3.000	ST
5	6.288-050.0	Engine oil 1L	1.000	ST
6	6.365-052.0	Grooved ring 20X28X6/8	3.000	ST
10	4.553-279.0	Piston complete	3.000	ST



10 Piston complete (4.553-279.0)

POS	Article no.	Description	Quantity	Unit
4	6.472-331.0	Snap ring 20	1.000	ST

3 Cylinder head complete

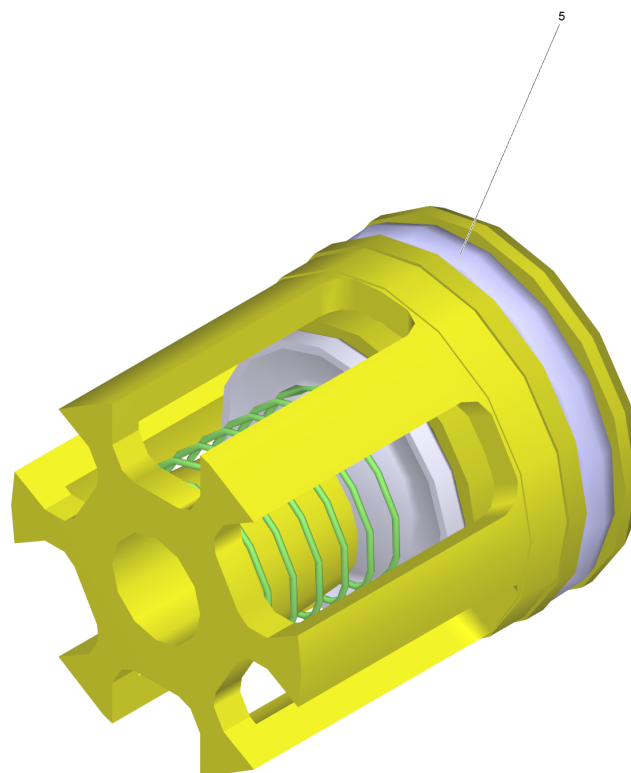


3 Cylinder head complete

POS	Article no.	Description	Quantity	Unit
2	2.884-512.0	Valve (3 Stueck)	2.000	ST
3	4.580-594.0	Valve complete	1.000	ST
21	4.481-226.0	Valve seat complete	1.000	ST
22	5.332-258.0	Helical spring	1.000	ST
29	5.411-070.0	Screw plug	1.000	ST
30	5.411-152.0	Screw plug	1.000	ST
32	5.583-177.0	Valve screw M20x1	3.000	ST
33	5.411-166.0	CLOSING SCREW	1.000	ST
35	5.411-171.0	Screw plug	1.000	ST
37	5.443-624.0	Nipple	1.000	ST
40	4.550-946.0	Cylinder head -nur fuer Ersatz-	1.000	ST
43	5.583-146.3	Valve screw	1.000	ST
47	2.884-853.0	Spare part set nozzle insert	1.000	ST
55	6.362-113.0	O-Ring seal 6,0 x 2,0 NBR 70	1.000	ST
56	6.363-597.0	O-Ring seal 5,28 x 1,78	1.000	ST
60	6.362-384.0	O-Ring seal 9x1,5 - NBR 70	1.000	ST
61	6.362-388.0	O-Ring seal 8,0x1,5 -EPDM 70	1.000	ST
62	6.362-481.0	O-Ring seal 14,0 x 2,0 NBR 80	5.000	ST
63	6.362-480.0	O-Ring seal 12,42x 1,78	1.000	ST
66	6.362-547.0	O-Ring seal 20,0x1,5-NBR 70	3.000	ST
71	6.362-690.0	O-Ring seal 7x2 - NBR 70	1.000	ST
78	6.365-377.0	Grooved ring 20x30x6	3.000	ST
79	6.365-378.0	Supportring 20x30x4,2	3.000	ST
82	4.423-024.0	Pressure gauge complete	1.000	ST
85	6.869-008.0	Metal bonding agent middle fixed Loctite 242	1.000	ZST
88	7.306-043.0	Cylinder head screw M8x30 -8.8-A2E ISO	4.000	ST
94	7.401-908.0	Sphere 7 G300 -1.4301 DIN 5401	1.000	ST
901	2.883-988.0	SPARE PARTS SET	1.000	ST
902	4.427-310.0	Manifold complete	1.000	ST
903	4.591-056.0	Set excess-current	1.000	ST
904	4.769-026.0	Nozzle insert	1.000	ST
961	6.363-438.0	O-Ring seal 8,0x2,2	1.000	ST
965	6.362-077.0	O-Ring seal 10 x 2,2 NBR 70	1.000	ST

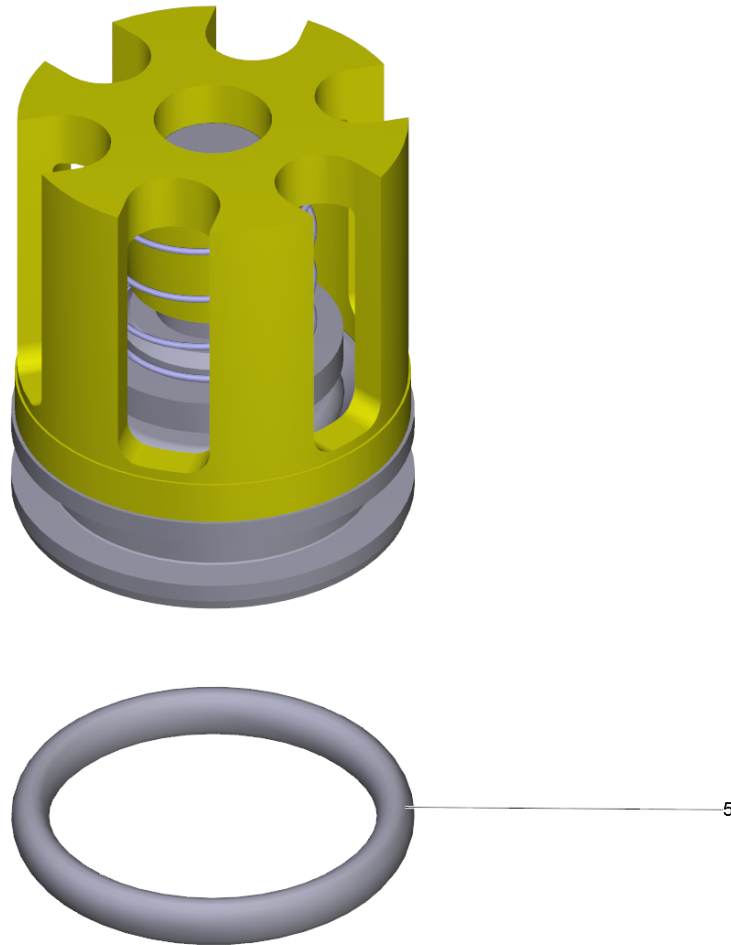
3 Cylinder head complete

POS	Article no.	Description	Quantity	Unit
966	5.365-371.0	Profile gasket	1.000	ST
989	7.312-017.0	Washer 8-A2 ISO 7089	4.000	ST
991	7.303-108.0	Screw 5x20 -10.9-R2R (In6Rd)	1.000	ST



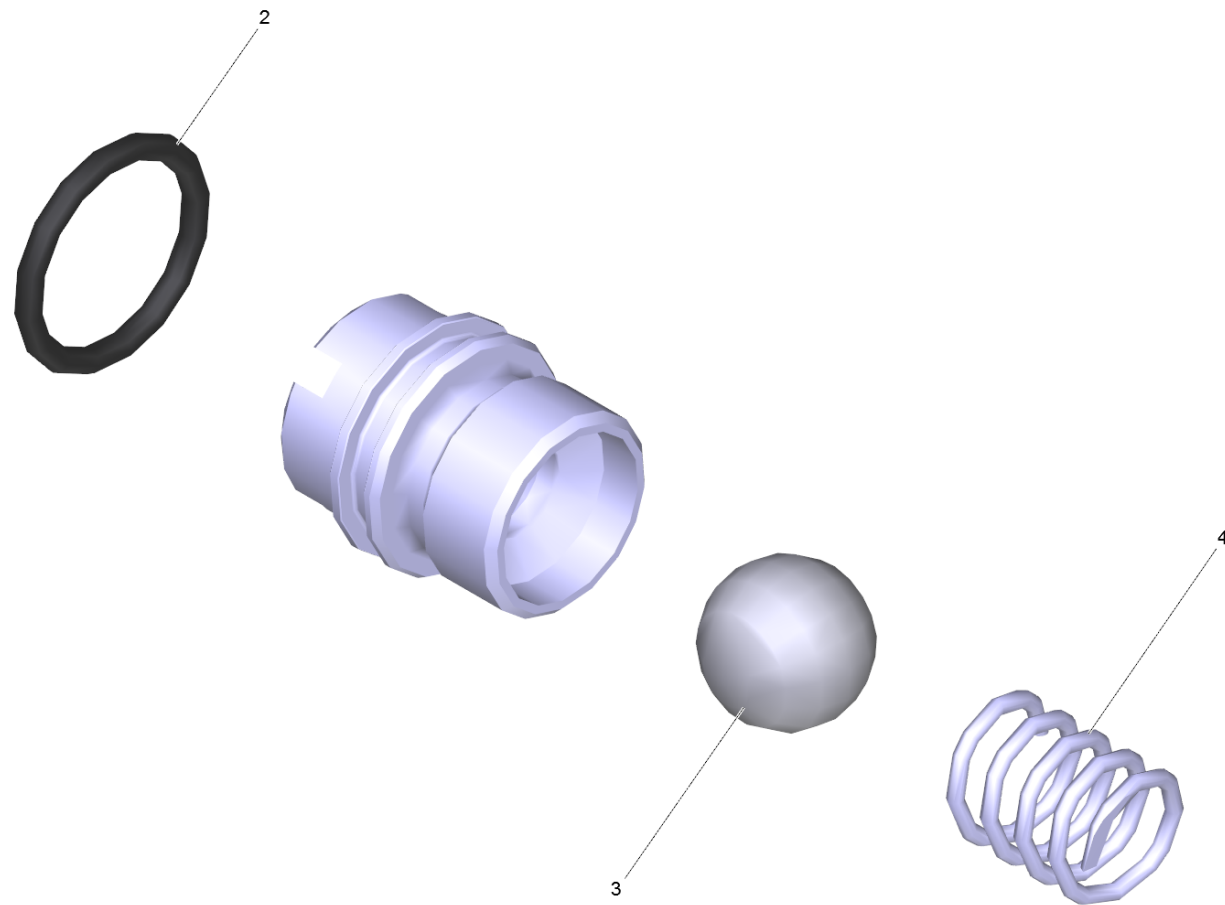
2 Valve (3 Stueck) (2.884-512.0)

POS	Article no.	Description	Quantity	Unit
5	6.363-003.0	O-Ring seal 13,0 X 2,0-NBR 90	1.000	ST



3 Valve complete (4.580-594.0)

POS	Article no.	Description	Quantity	Unit
5	6.362-381.0	O-Ring seal 13x2 - NBR 70	1.000	ST

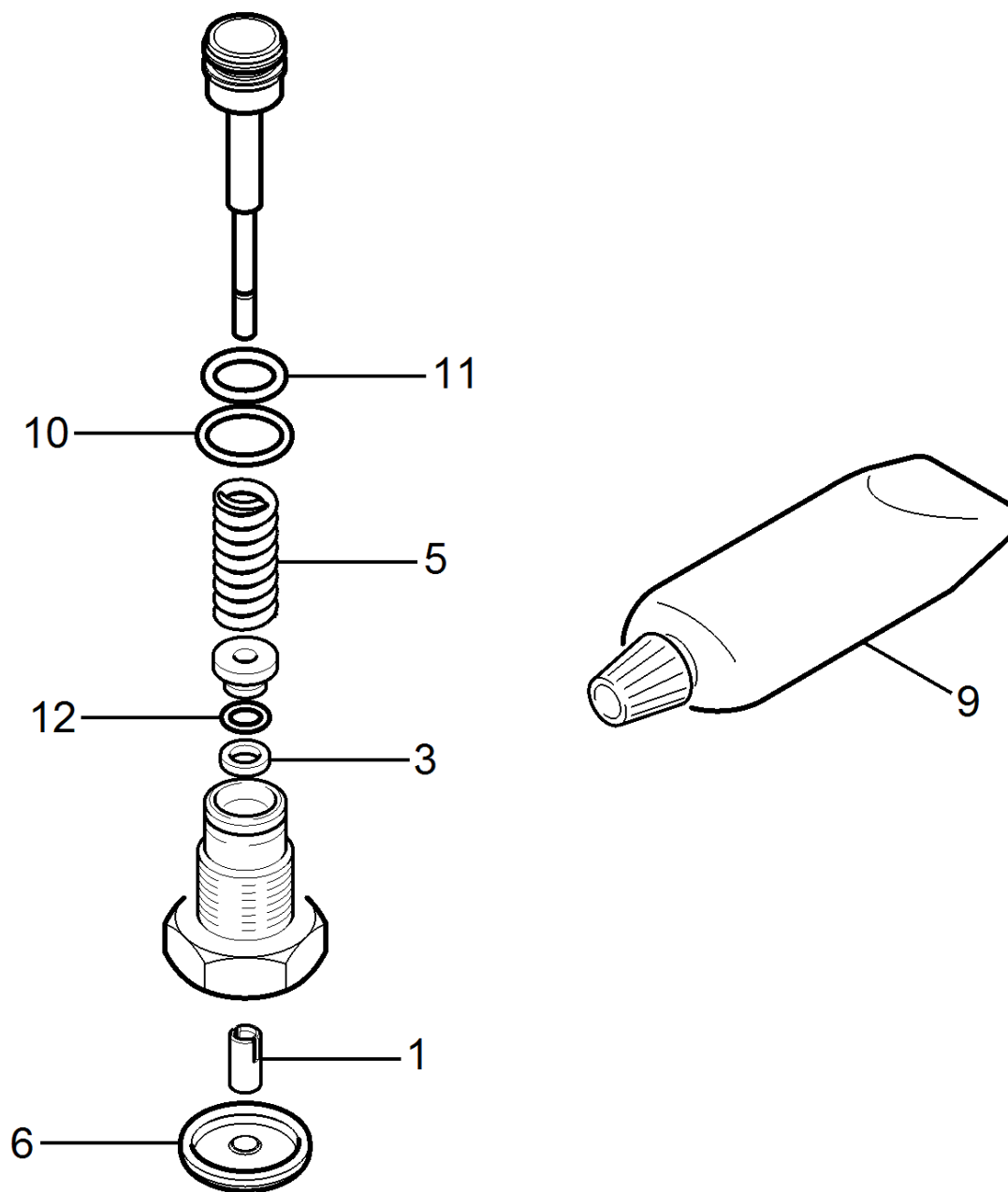


21 Valve seat complete (4.481-226.0)

POS	Article no.	Description	Quantity	Unit
2	6.362-858.0	O-Ring seal 11,0 X 1,5	1.000	ST
3	7.401-907.0	Sphere 3/8 G200-1.4301 DIN 5401	1.000	ST
4	5.332-999.0	Helical spring	1.000	ST

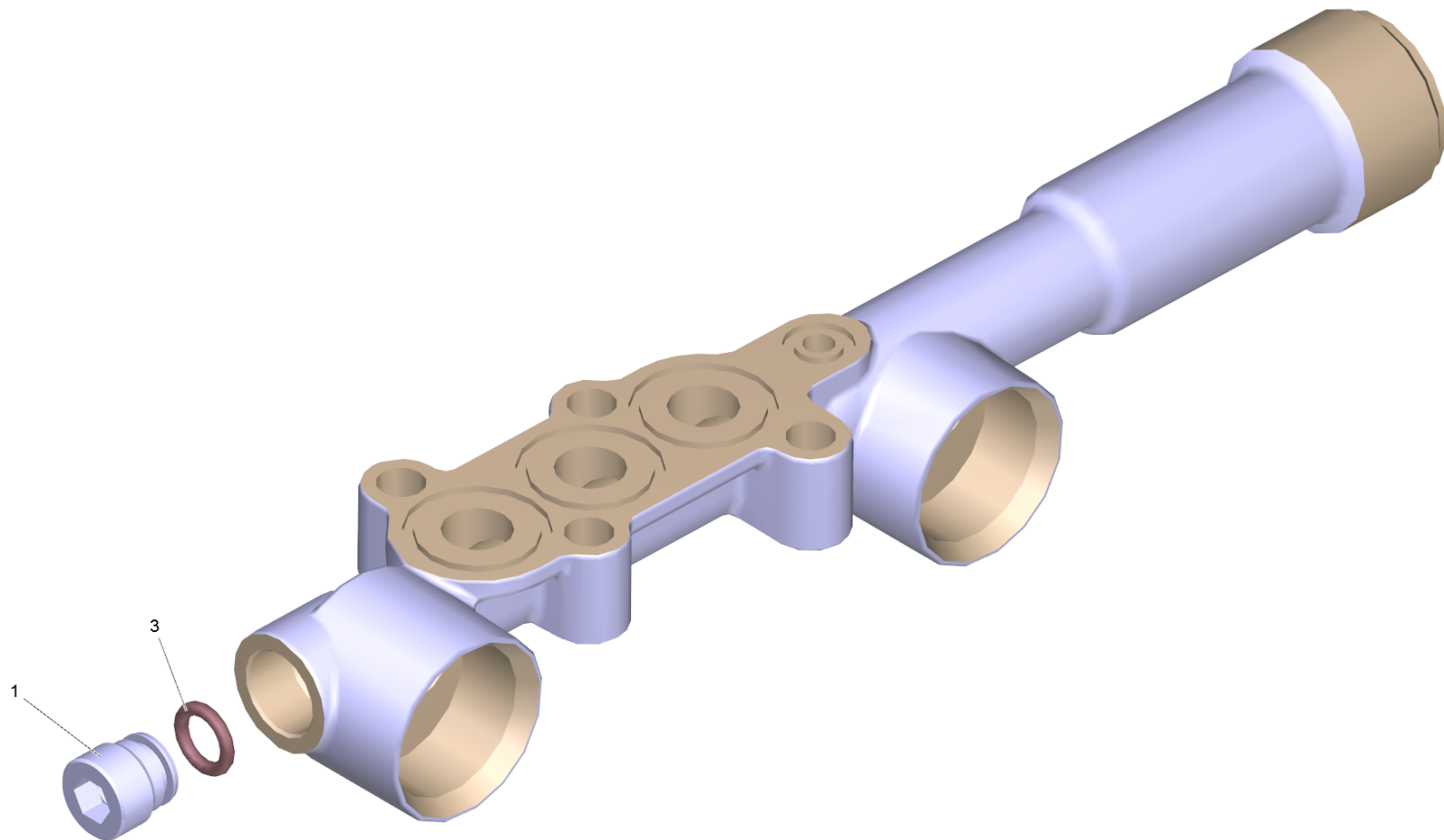
82 Pressure gauge complete (4.423-024.0)

POS	Article no.	Description	Quantity	Unit
3	6.376-036.0	Label spare parts neutrally 65x55 MM	2.000	ZST



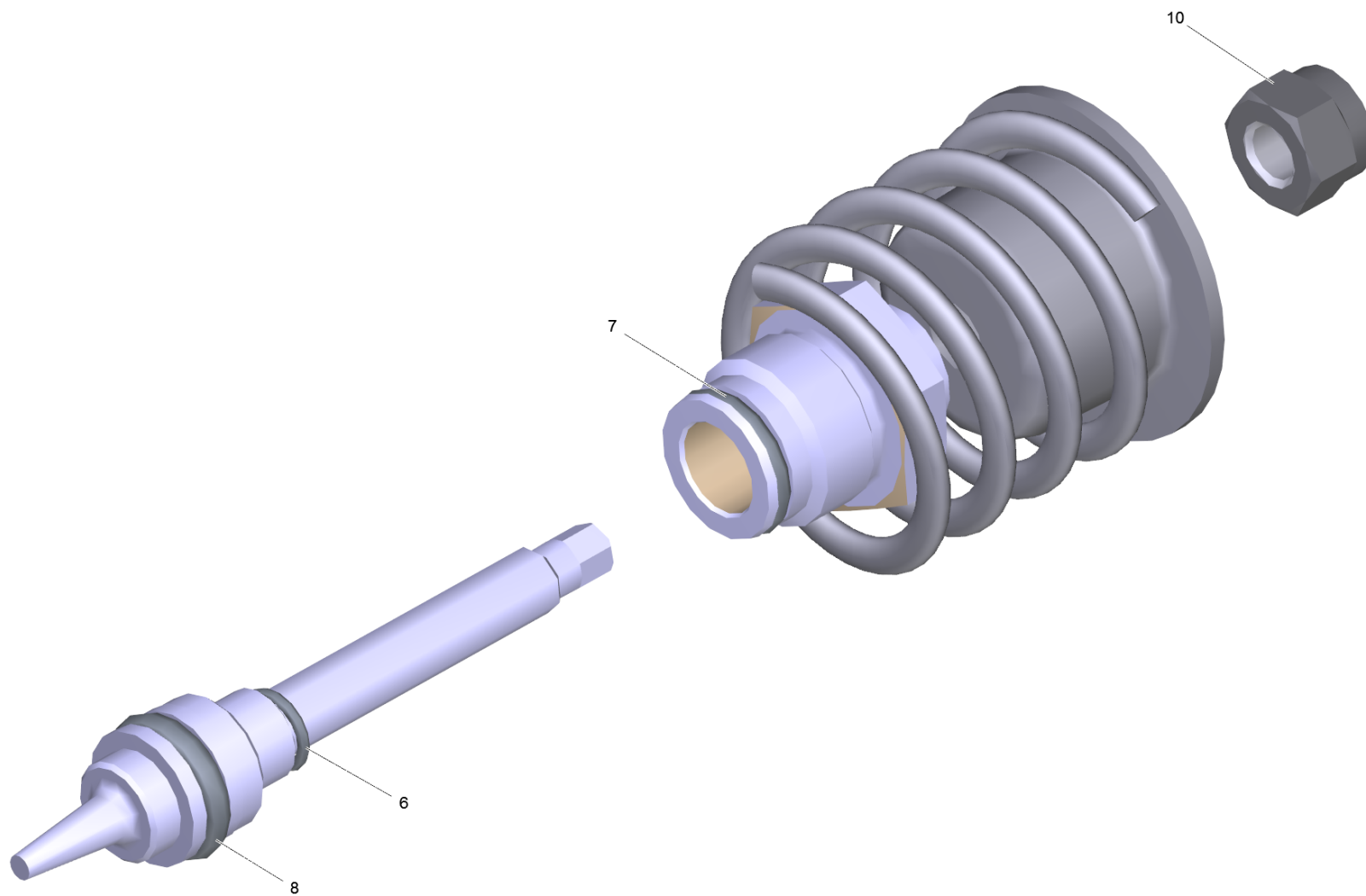
901 SPARE PARTS SET (2.883-988.0)

POS	Article no.	Description	Quantity	Unit
1	5.110-947.0	Sleeve	1.000	ST
3	5.114-513.0	Supportring	1.000	ST
5	5.332-511.0	Helical spring	1.000	ST
6	5.367-030.0	Diaphragm	1.000	ST
9	6.288-044.0	Silicon grease 100 G	1.000	ST
10	6.363-615.0	O-Ring seal 11 x 1,5 -NBR70	1.000	ST
11	6.363-611.0	O-Ring seal 8,73 x 1,78 -NBR	1.000	ST
12	6.363-241.0	O-Ring seal 2,90x1,78	1.000	ST



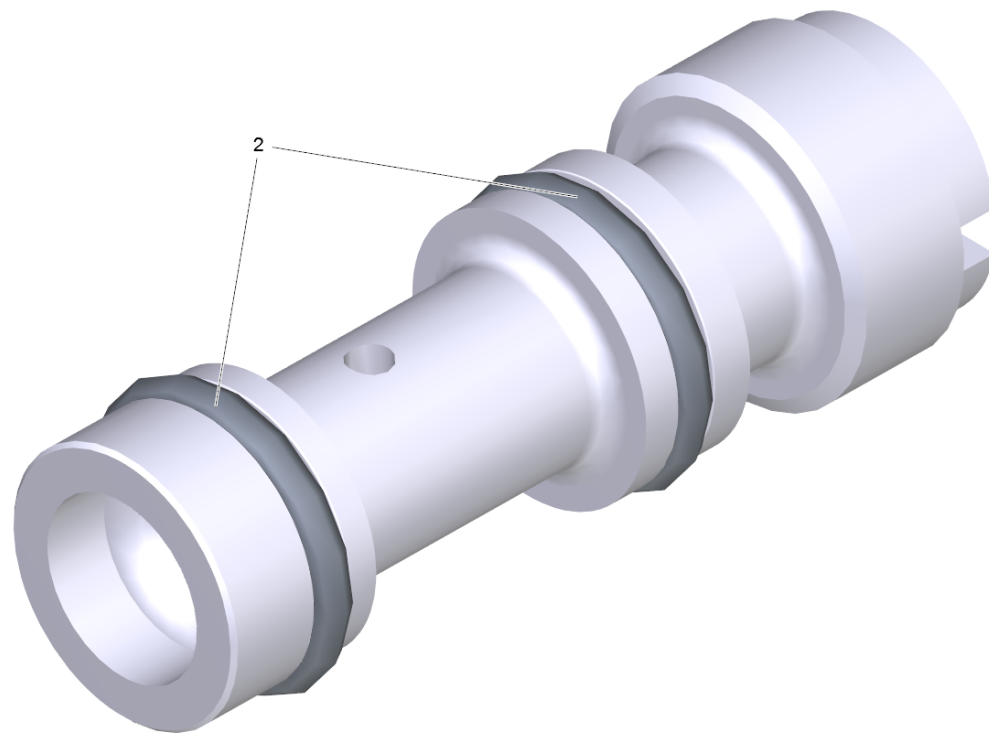
902 Manifold complete (4.427-310.0)

POS	Article no.	Description	Quantity	Unit
1	5.411-168.0	Valve screw M16x1	1.000	ST
3	6.362-528.0	O-Ring seal 9,5 X 2,0	1.000	ST



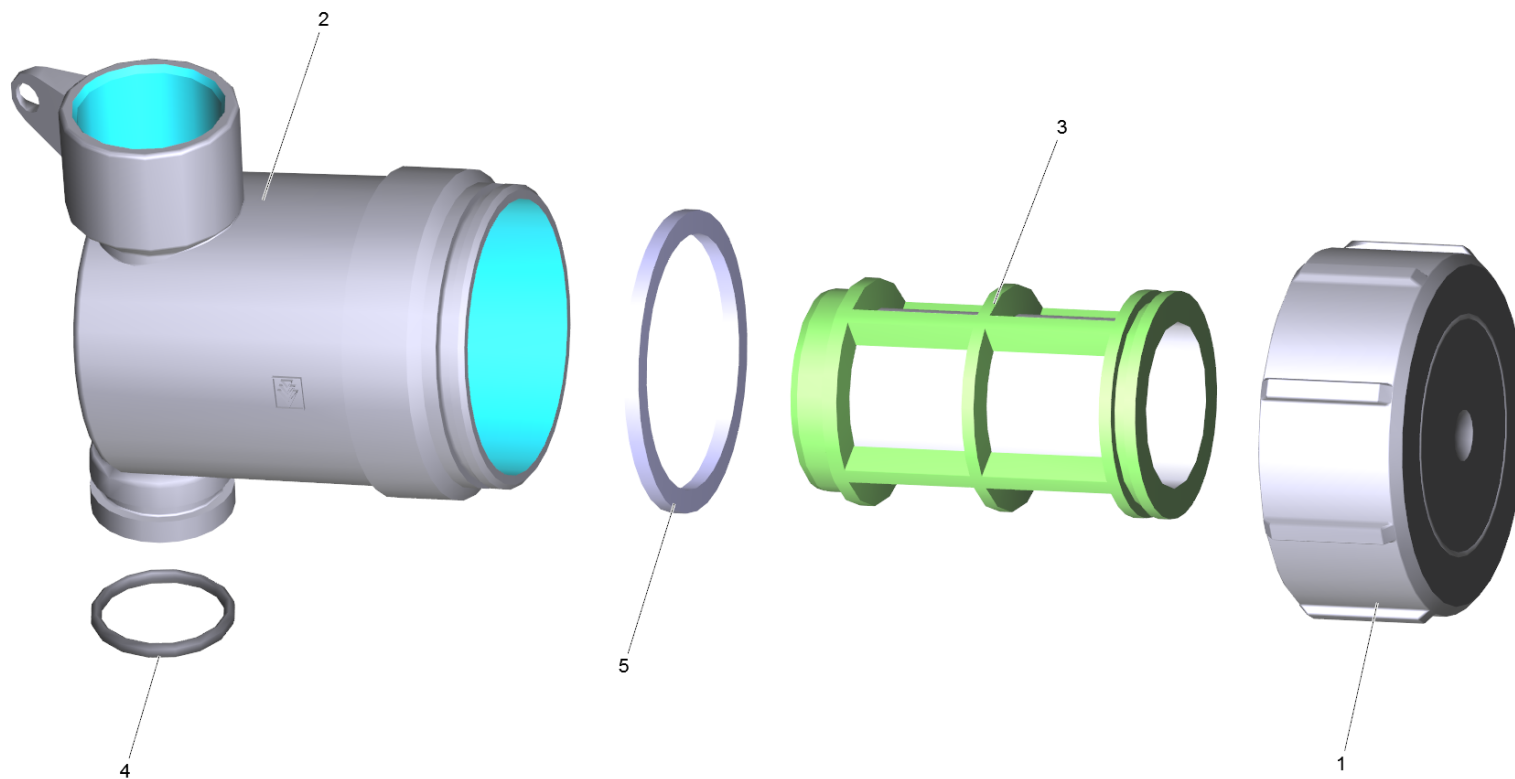
903 Set excess-current (4.591-056.0)

POS	Article no.	Description	Quantity	Unit
6	6.362-365.0	O-Ring seal complete 1ST.-R.- 7,65X 1,7	1.000	ST
7	6.362-381.0	O-Ring seal 13x2 - NBR 70	1.000	ST
8	6.362-575.0	O-Ring seal 12,42 KOMPL	1.000	ST
10	7.311-510.0	Hexagon nut M 8-8-A2E ISO 7040	1.000	ST



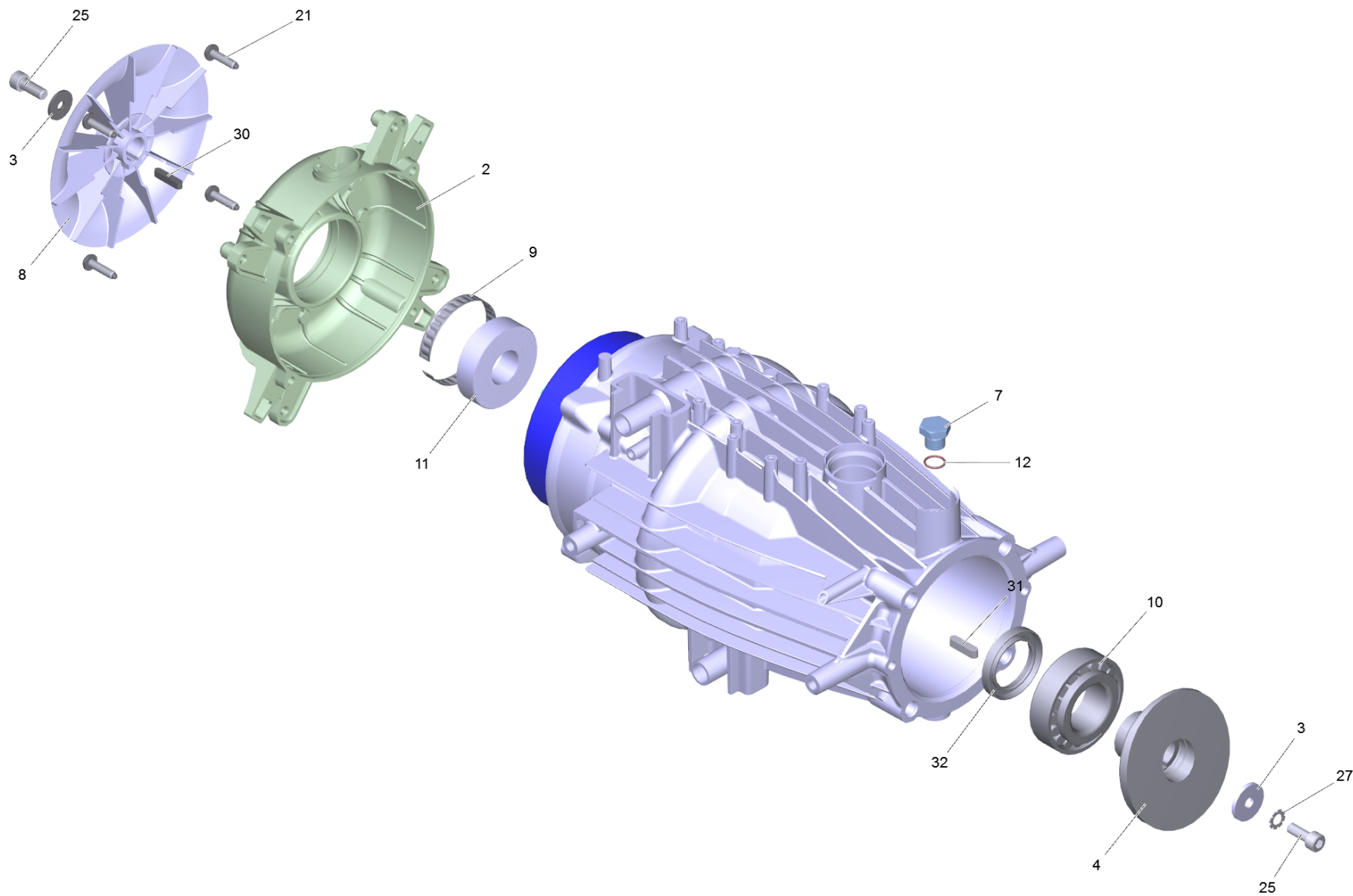
904 Nozzle insert (4.769-026.0)

POS	Article no.	Description	Quantity	Unit
2	6.362-384.0	O-Ring seal 9x1,5 - NBR 70	2.000	ST



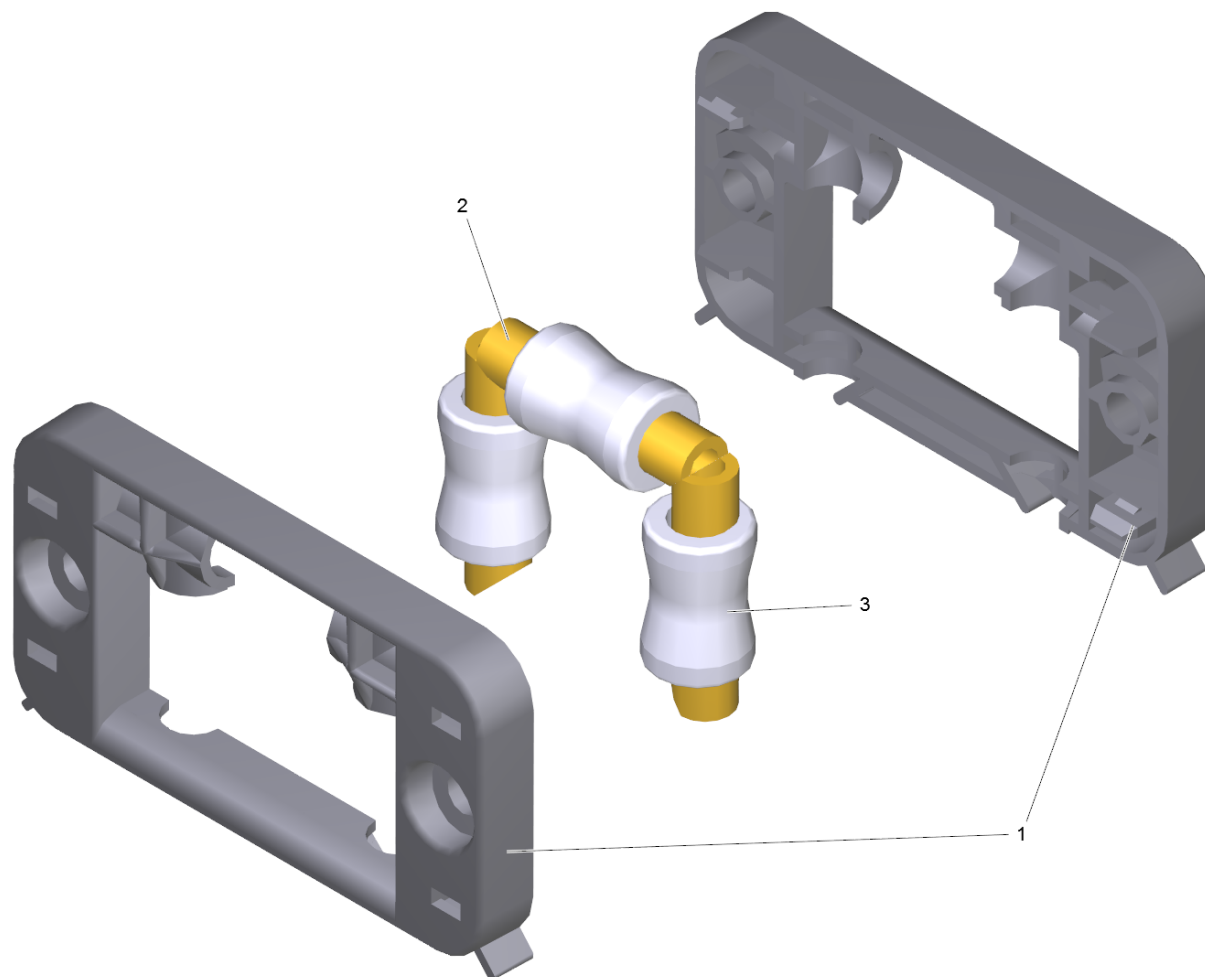
5 Filter complete

POS	Article no.	Description	Quantity	Unit
1	5.064-453.0	Cover qusty grey	1.000	ST
2	5.605-348.0	Filter housing	1.000	ST
3	6.414-949.0	Filter cartridge	1.000	ST
4	6.362-686.0	O-Ring seal 20,0 X 3,0	1.000	ST
5	5.363-613.0	Seal	1.000	ST



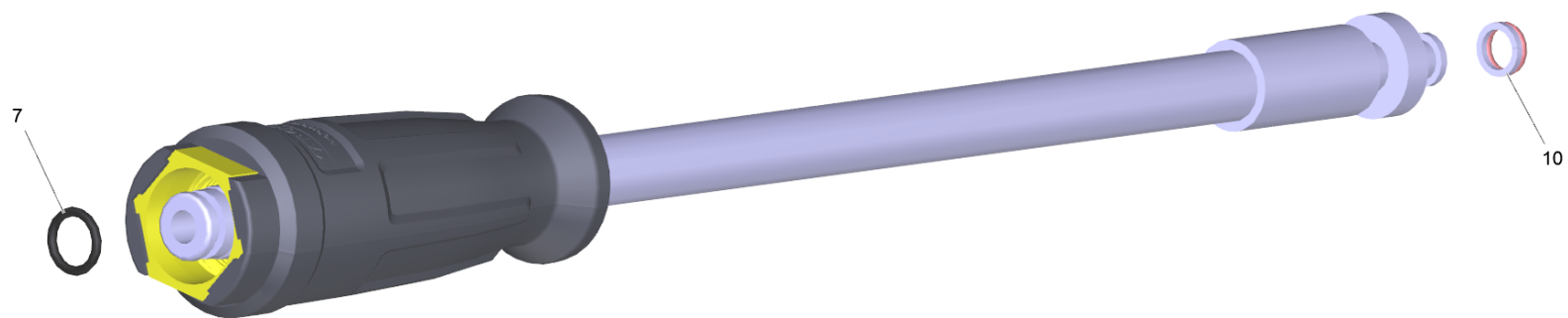
999 Motor complete only for replacement (4.623-871.0)

POS	Article no.	Description	Quantity	Unit
2	5.061-186.0	Bearing cover B	1.000	ST
3	5.115-565.0	Washer	2.000	ST
4	4.120-239.0	Wobble plate -nur für Ersatz-	1.000	ST
7	5.411-100.0	Screw plug	1.000	ST
8	5.600-082.0	Blower wheel	1.000	ST
9	6.343-010.0	Tolerance ring 62x10	1.000	ST
10	6.401-405.0	Taper roller bearing	1.000	ST
11	6.401-253.0	Ball bearing 6305-2Z	1.000	ST
12	6.362-028.0	O-Ring seal 11x2,2 NBR 70	1.000	ST
17	6.869-072.0	Metal bonding agent	0.001	ZST
cart_info_txt: This material is not available due to hazardous good regulation. Please procure this or a similar material from a local supplier of your choice. Metal bonding agent Loctite 245				
21	6.303-515.0	Self-tapping screw M6x25	4.000	ST
25	7.306-041.0	Cylinder head screw M8x20 -8.8-A2E ISO	2.000	ST
27	7.312-159.0	Toothed lock washer A8,4-FST-PH DIN 679	1.000	ST
30	7.318-079.0	Parallel key A 5x5x25-C45K DIN 6885	1.000	ST
31	7.318-030.0	Parallel key 6x6x25 -C45K DIN 6885-1	1.000	ST
32	7.367-009.0	Radial shaft seal ring A35x52x7-NBR DIN	1.000	ST



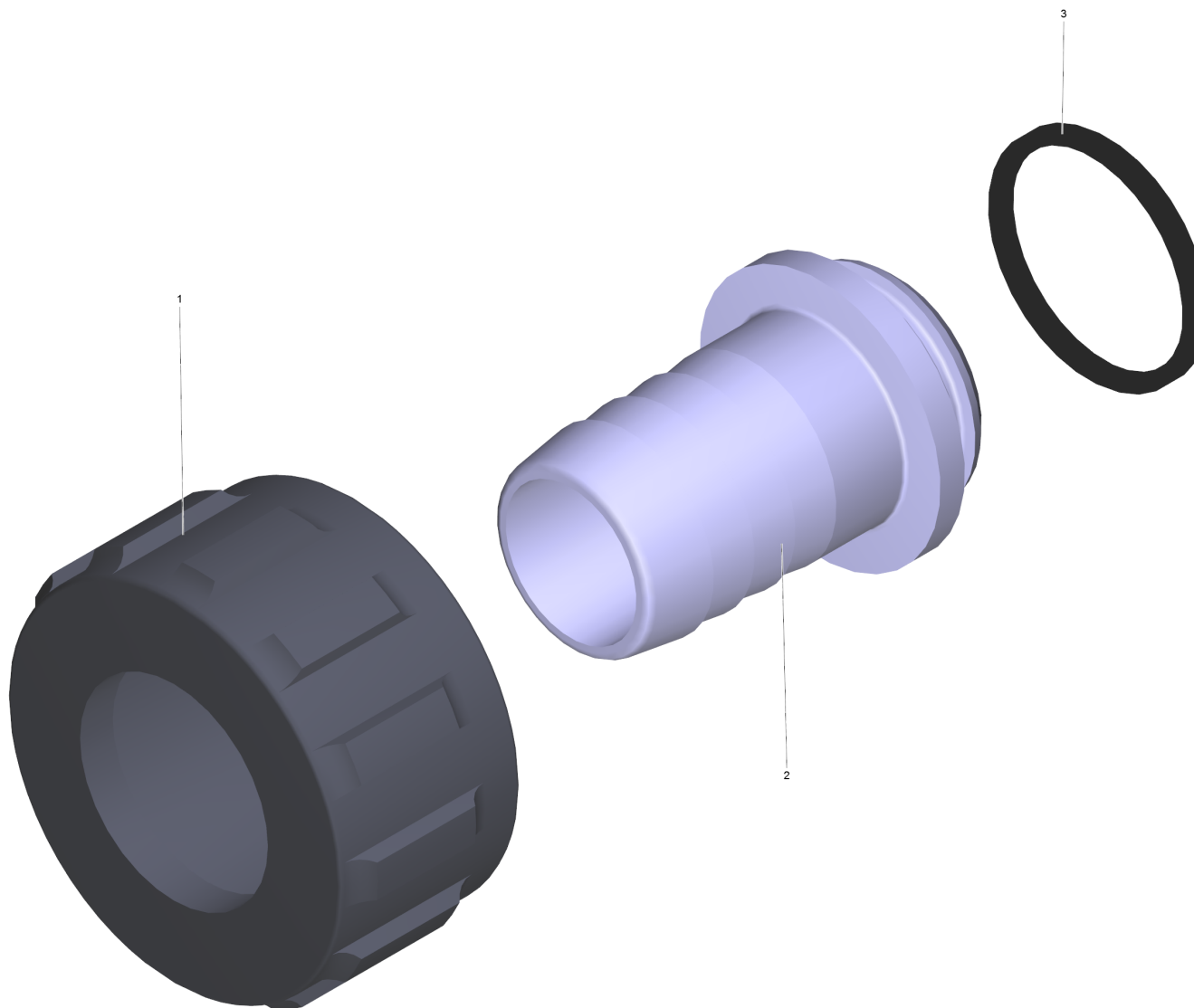
9 Holder roller complete

POS	Article no.	Description	Quantity	Unit
1	5.044-646.0	Holder roller front	2.000	ST
2	5.128-511.0	Axle	3.000	ST
3	5.515-191.0	Roller	3.000	ST



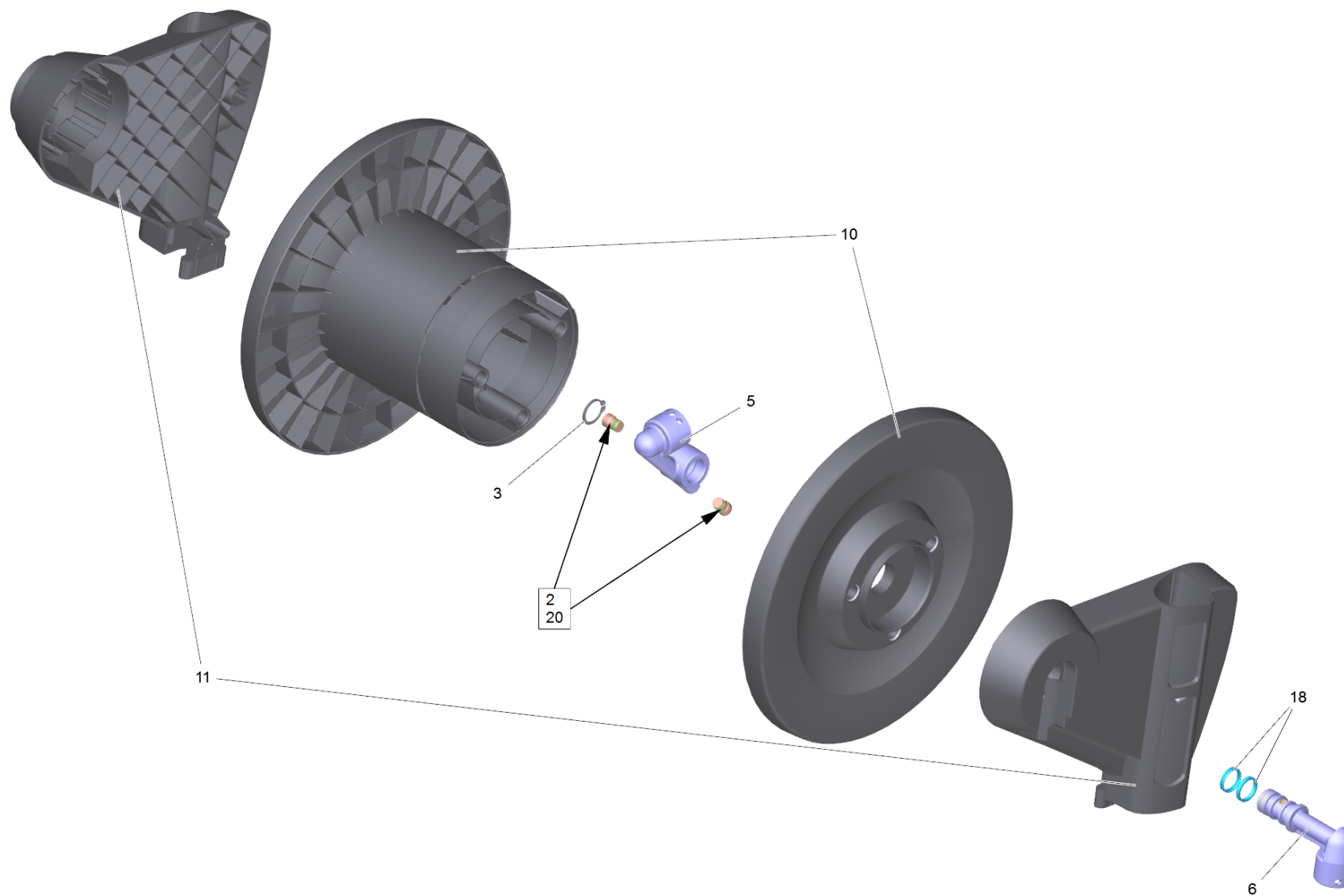
15 Hose assembly TR rotatable DN8 31,5MPa 1 (6.110-018.0)

POS	Article no.	Description	Quantity	Unit
7	2.880-154.0	O-Ring kit	1.000	ST
10	4.363-691.0	O-Ring seal kpl. -nur fuer Ersatz-	1.000	ST



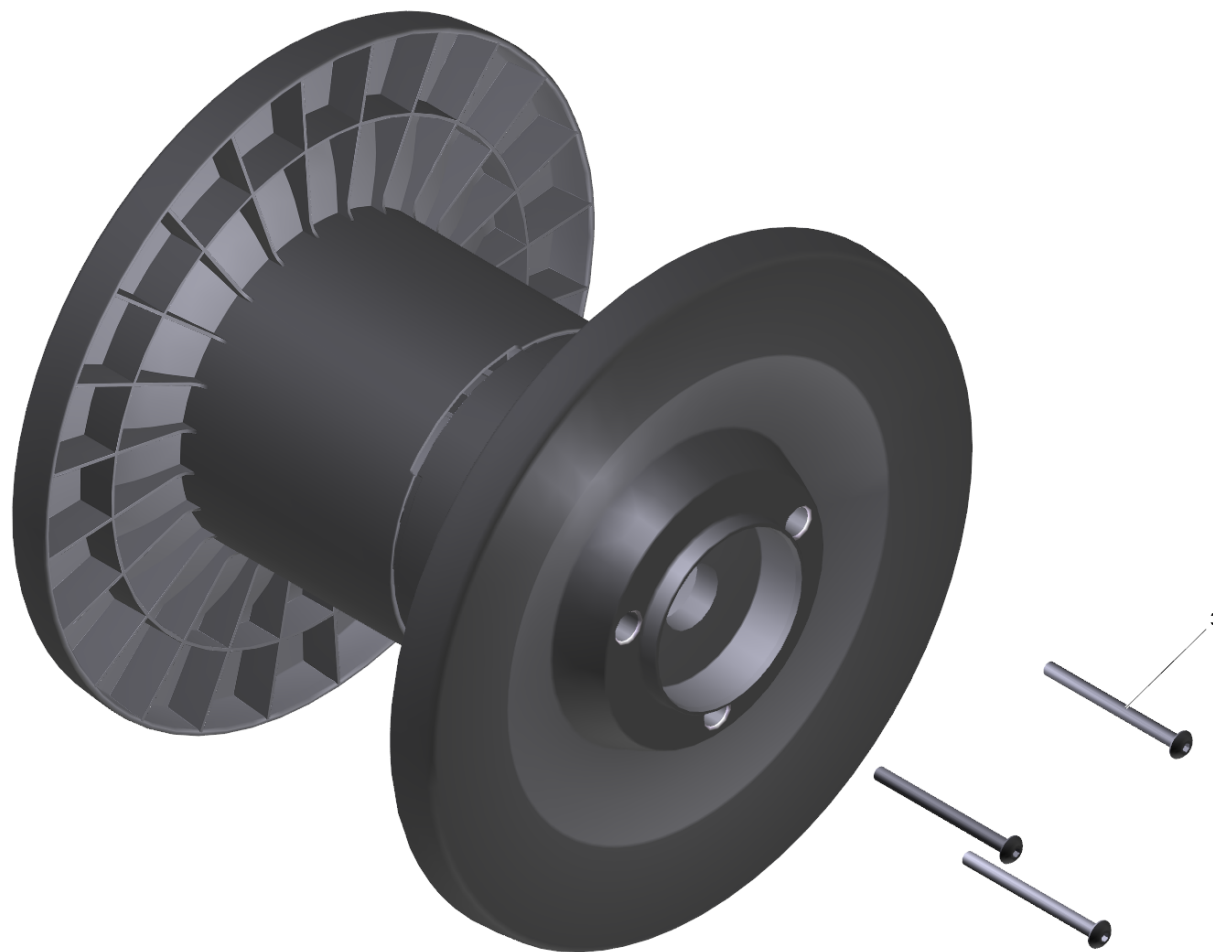
20 Set water connection 1 " (2.640-492.0)

POS	Article no.	Description	Quantity	Unit
1	5.310-076.0	Nut	1.000	ST
2	5.443-291.0	Hose stem	1.000	ST
3	6.362-161.0	O-Ring seal 19,3 X 2,4	1.000	ST



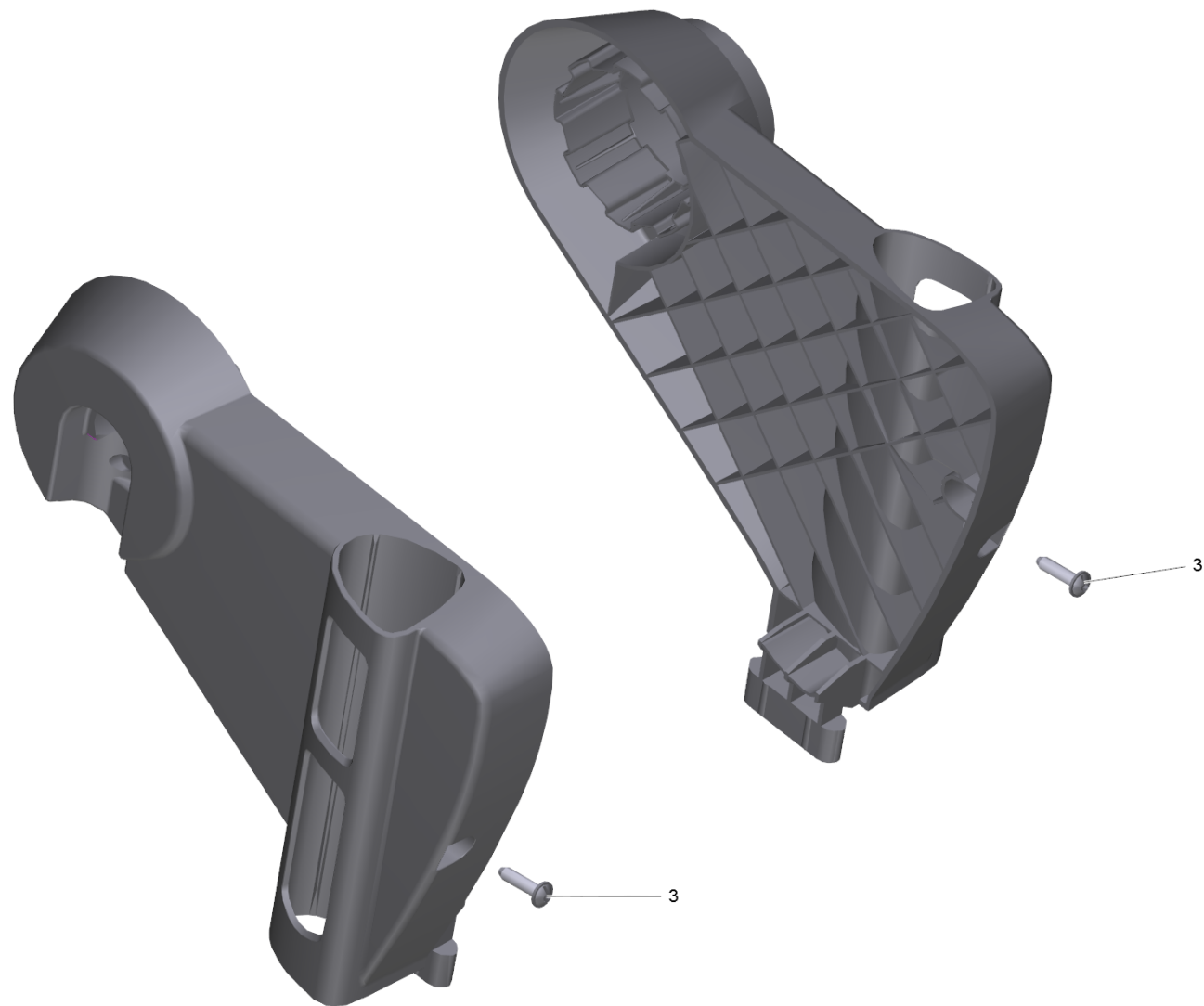
25 Hose reel complete

POS	Article no.	Description	Quantity	Unit
2	5.411-161.0	CLOSING SCREW M10X1	1.000	ST
3	7.343-018.0	Locking ring 18x1,2-Rf-St DIN 471	1.000	ST
5	5.427-326.0	Manifold	1.000	ST
6	5.427-328.0	Manifold	1.000	ST
10	2.884-858.0	Spare part set	1.000	ST
11	2.884-857.0	Spare part set	1.000	ST
18	4.363-693.0	O-Ring seal kpl. -nur fuer Ersatz-	2.000	ST
20	6.362-703.0	O-Ring seal 6,0x1,5-NBR 70	2.000	ST



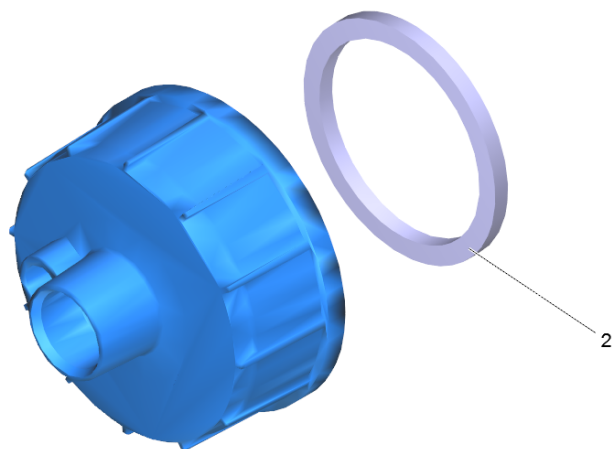
10 Spare part set (2.884-858.0)

POS	Article no.	Description	Quantity	Unit
3	6.303-329.0	Screw 5x60 - St. verz. bl.	3.000	ST



11 Spare part set (2.884-857.0)

POS	Article no.	Description	Quantity	Unit
3	7.303-048.0	Screw M6x20 -St-R3R (In6Rd)	2.000	ST

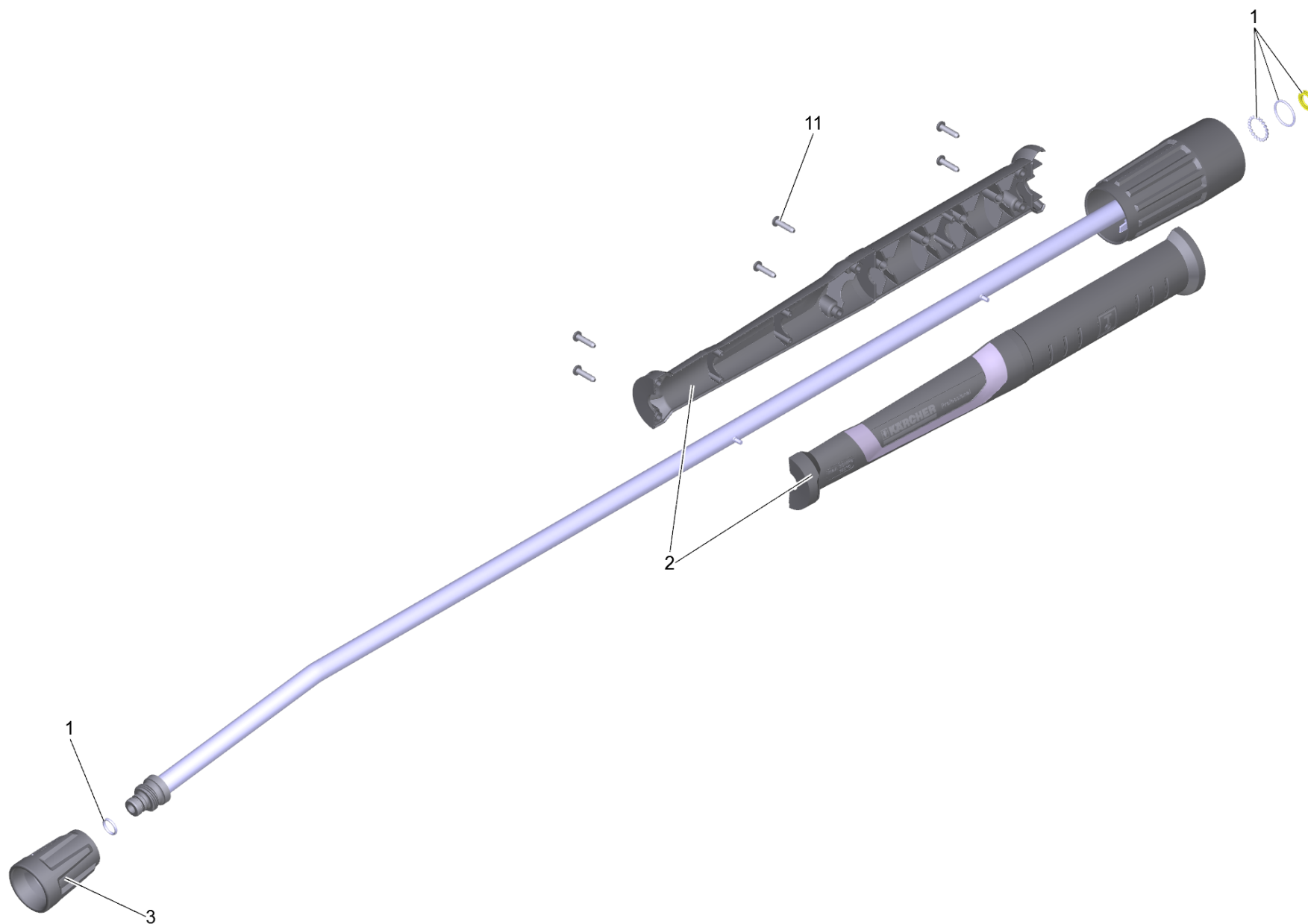


65 Cover cleaning agents complete (4.060-866.0)

POS	Article no.	Description	Quantity	Unit
2	6.363-304.0	Seal	1.000	ST

903 Jet pipe TR 1050 mm (4.112-000.0)

POS	Article no.	Description	Quantity	Unit
1	4.112-012.0	Jet pipe TR 1050 mm	1.000	ST

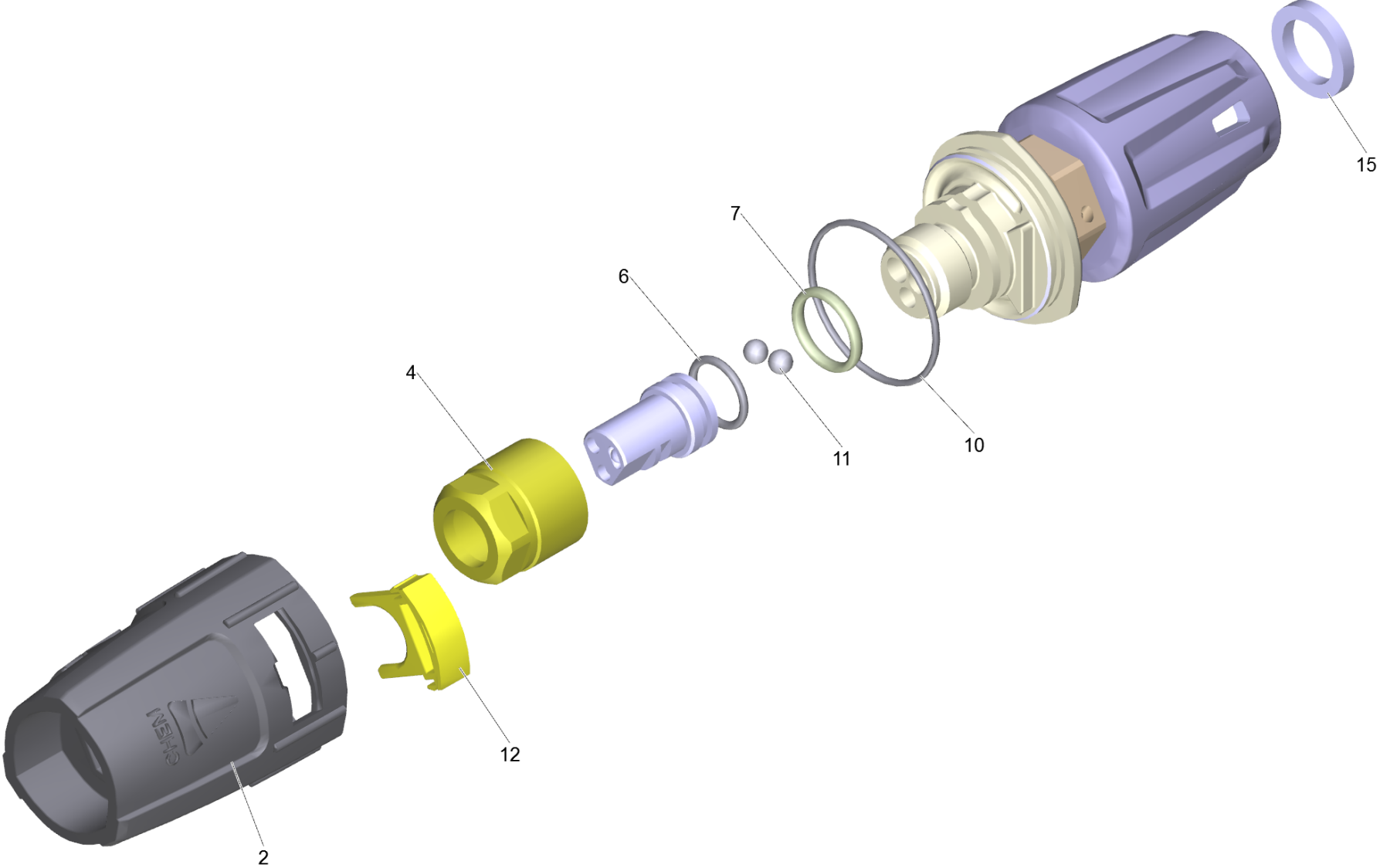


1 Jet pipe TR 1050 mm (4.112-012.0)

POS	Article no.	Description	Quantity	Unit
1	4.100-688.0	Spare part set seal TR	1.000	ST
2	5.321-018.3	Handle bowl jet pipe only for replacemen	1.000	ST
3	4.112-011.0	Protection part TR only for replacement	1.000	ST
11	7.303-129.0	Screw 4x16 -10.9-R2R (K-In6Rd)	6.000	ST

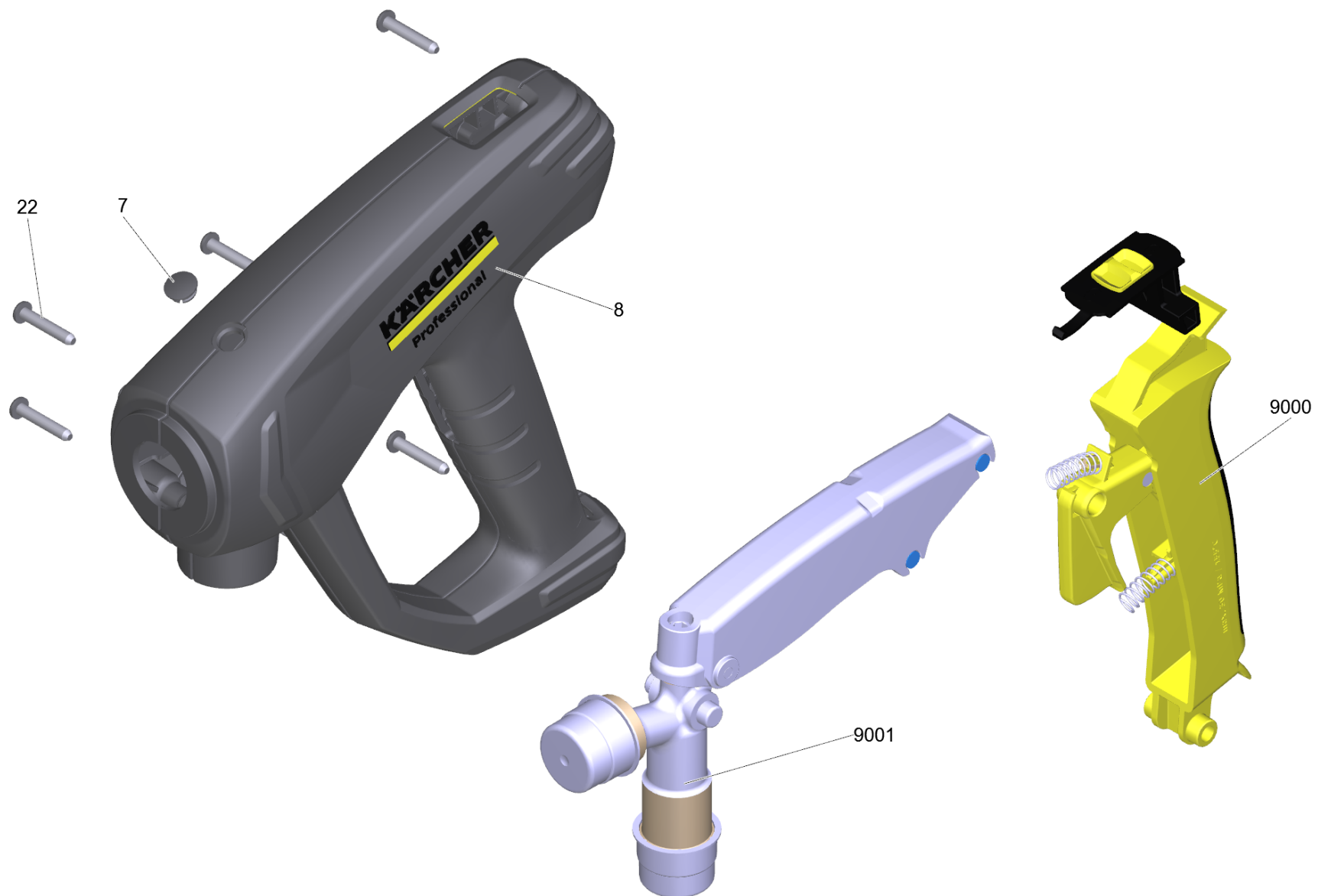
904 Triple jet nozzle TR 050 (4.117-037.0)

POS	Description	Quantity	Unit
1	Triple jet nozzle TR 050	1.000	ST



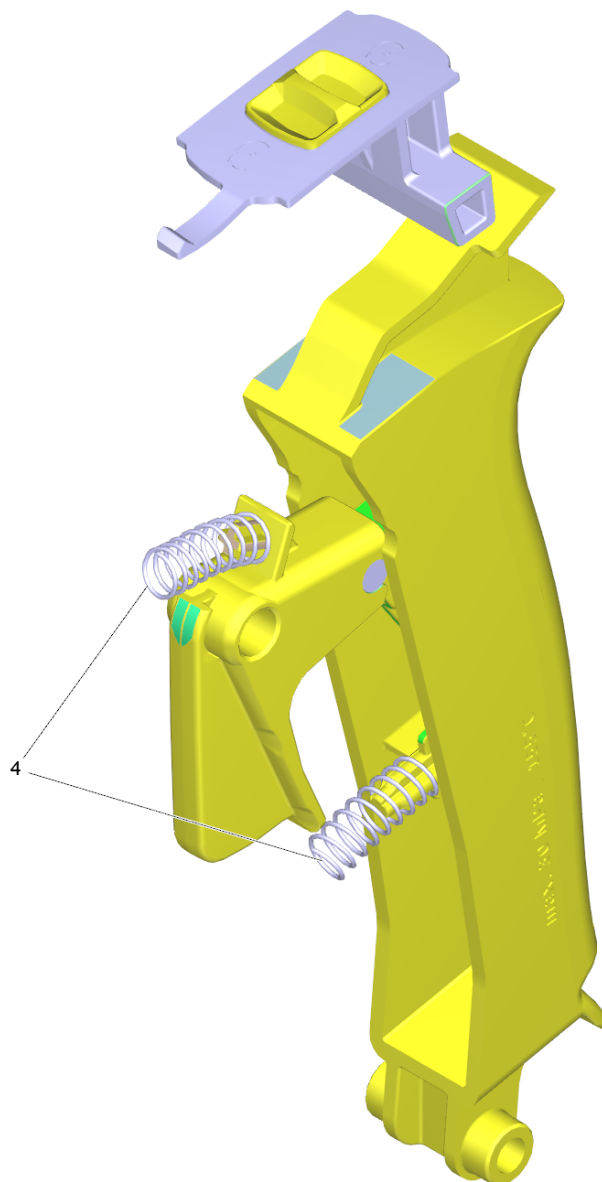
1 Triple jet nozzle TR 050

POS	Article no.	Description	Quantity	Unit
2	5.394-859.0	Protection part	1.000	ST
4	5.311-225.0	Nut	1.000	ST
6	6.362-480.0	O-Ring seal 12,42x 1,78	1.000	ST
7	6.362-460.0	O-Ring seal 14,0 X 2,5-NBR 70	1.000	ST
10	6.362-409.0	O-Ring seal 32,0 X 1,5	1.000	ST
11	7.401-902.0	Sphere 5 G20 -1.4034 DIN 5401	2.000	ST
12	5.321-884.0	Clamp	1.000	ST
15	6.363-696.0	Brake ring 14x20x3	1.000	ST



905 EASY!Force Advanced (4.118-005.0)

POS	Article no.	Description	Quantity	Unit
7	5.132-001.0	Plug	1.000	ST
8	5.321-136.3	Handhold few EH 155 only for replacement	1.000	ST
22	7.303-096.0	Screw 4x22 -ST-10.9-R2R (IN6RD)	7.000	ST
9000	2.885-483.0	Spare part set lever	1.000	ST
9001	4.427-014.0	Manifold TR EH 155 nur fuer Ersatz	1.000	ST

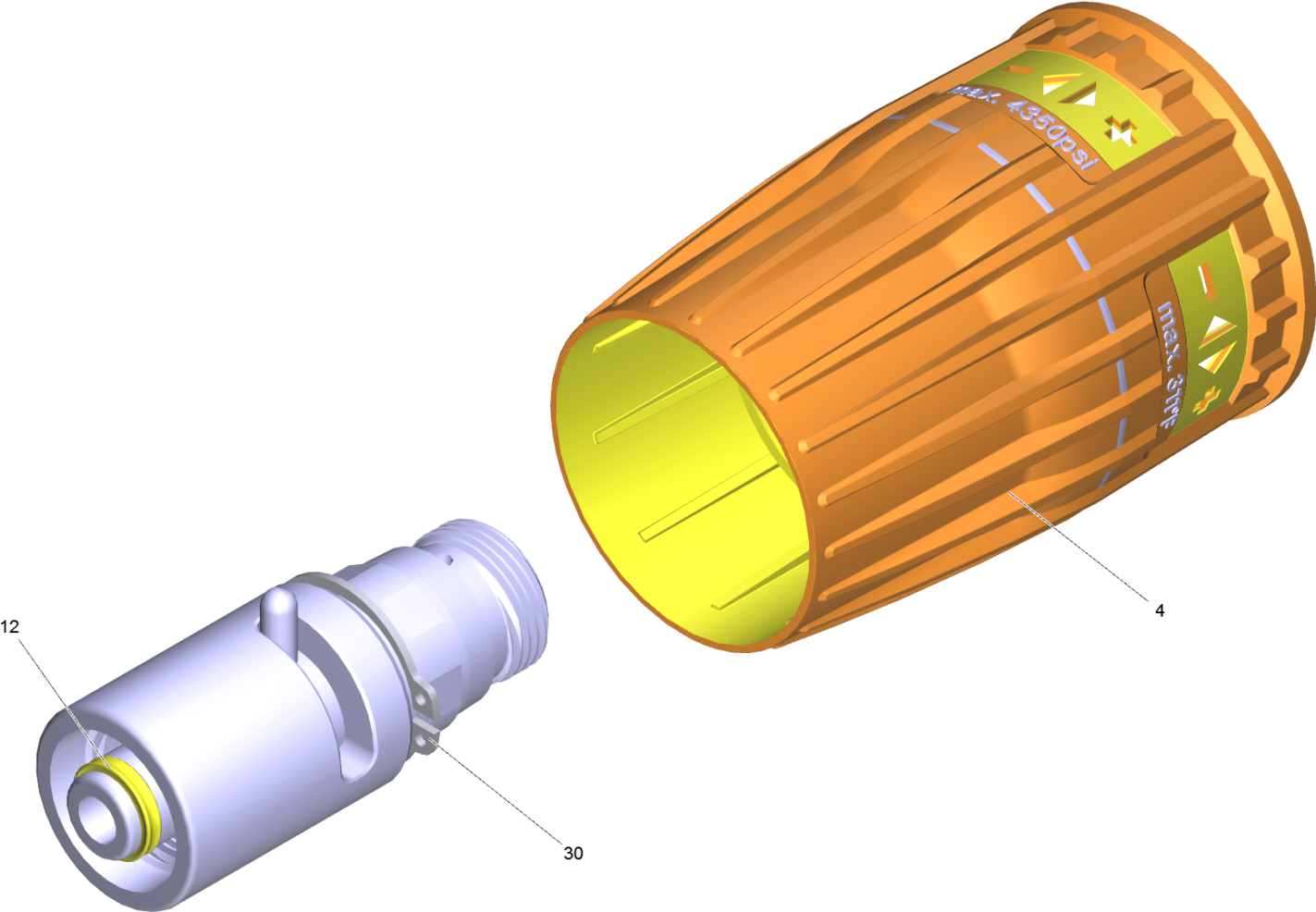


9000 Spare part set lever (2.885-483.0)

POS	Article no.	Description	Quantity	Unit
4	5.332-178.0	Helical spring	2.000	ST

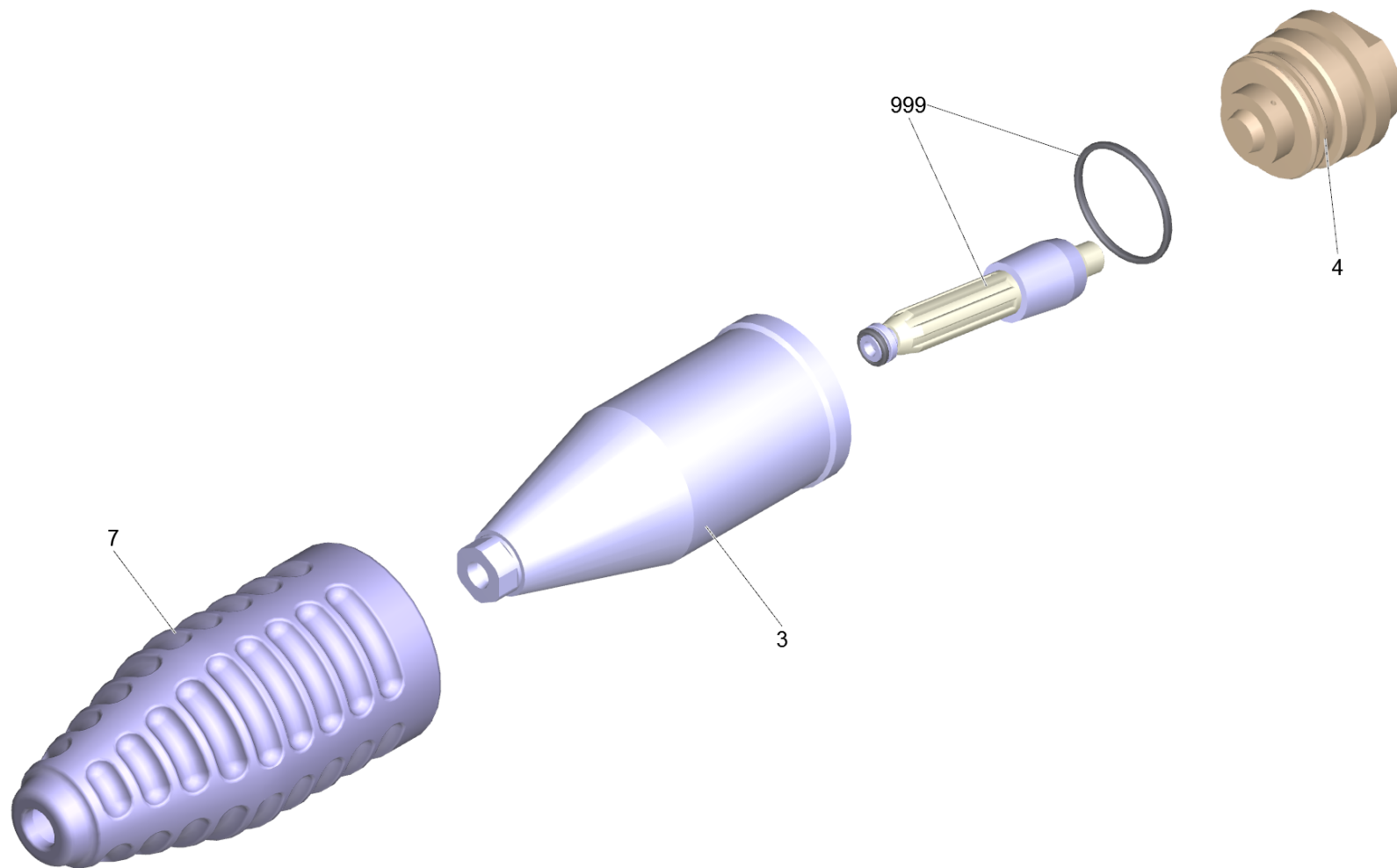
906 Rotary controller TR 416L (4.118-008.0)

POS	Description	Quantity	Unit
1	Rotary controller TR 416L	1.000	ST



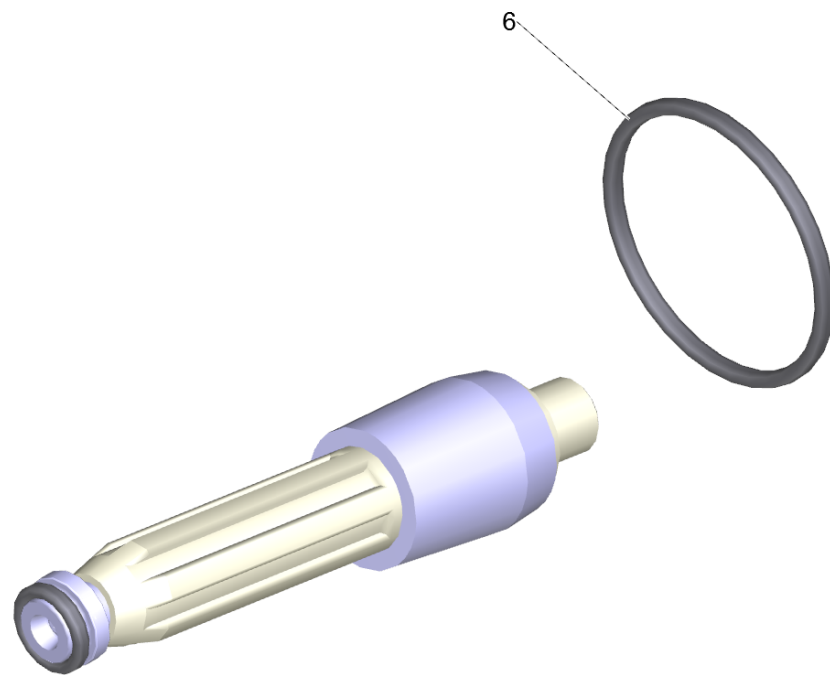
1 Rotary controller TR 416L

POS	Article no.	Description	Quantity	Unit
4	5.321-364.3	Handhold rotary controller	1.000	ST
12	2.880-001.0	Spare part set seals TR	1.000	ST
30	7.343-069.0	Locking ring 25x1,2-1.4122 DIN 471	1.000	ST



908 Dirt blaster TR 050 Prof. (4.114-027.0)

POS	Article no.	Description	Quantity	Unit
3	5.060-500.3	Housing	1.000	ST
4	5.111-572.0	Cover dirt blaster TR 050	1.000	ST
7	5.111-566.0	Protection part dirt blaster TR	1.000	ST
999	2.883-472.0	Spare part set dirt blaster 05	1.000	ST



999 Spare part set dirt blaster 05 (2.883-472.0)

POS	Article no.	Description	Quantity	Unit
6	6.362-463.0	O-Ring seal 28,0 X 2,0-NBR 78	1.000	ST