

Spare parts list (1.168-502.0) K 7 *EU

DE HINWEISE

Weitere Sprachen:

Diese Ersatzteilliste ist in weiteren Sprachen erhältlich. Sie erhalten diese unter www.kaercher.com im Bereich Service.

Die Schreibweise der Teilenummer, z.B. 75456380, entspricht der Teilenummer 7.545-638.0.

Mengenangaben:

Die Mengenangaben in der Ersatzteilliste entsprechen den in der Baugruppe verbauten Stückzahlen der Bauteile.

Meterware:

Ersatzteile welche als Meterware geliefert werden sind auf Einbaulänge selbst zu kürzen. Die Stückzahlen sind als Mindestbestellmenge =1m angegeben und müssen je nach Bedarf auf weitere volle Meterzahlen erhöht werden.

Versionen/ Werknummern:

Sind Versionen oder Werknummern in der Ersatzteilliste angegeben, ist anhand dieser vor Bestellung zu prüfen, welches Bauteil für ihr Gerät verwendet werden muss.

Lackierte Teile:

Bei Bestellungen von lackierten Teilen welche in der Ersatzteilliste nicht in verschiedenen Farben ausgewiesen sind, ist zusätzlich die Farbnummer oder Farbe mit anzugeben.

Technische Änderungen:

Technische Änderungen sowie das Recht der ausschließlichen Auswertung unseres geistigen Eigentums behalten wir uns vor.

EN INSTRUCTIONS

Other languages:

This list of spare parts is also available in other languages. You can get this list from www.kaercher.com in the Service division.

The designation of the part number e.g. 75456380 is equal to 7.545-638.0.

Quantity details:

The quantity details in the spare parts list correspond to the number of pieces of the component installed in the assembly group.

Piece goods:

Spare parts that are sold as piece goods are to be cut to the desired length. The quantities have been indicated as minimum order quantity =1m and must be rounded off to the full meter figure depending on your requirements.

Version/ Plant numbers:

If version or plant numbers are mentioned in the spare parts list, then use the same to check before ordering which spare part needs to be used for your appliance.

Painted parts:

While ordering painted parts that are not mentioned in the spare parts list in their colour variations, please mention the colour number or the colour you require.

Technical changes:

We reserve the right to make technical changes as well as the right to exclusive use of our intellectual property.

FR REMARQUES

Autres langues:

Cette liste de pièces de rechange est disponible en autres langues. Cela est disponible sous www.kaercher.com dans le menu Service.

La désignation du numéro de pièce, par ex. 75456380, correspond au numéro de pièce 7.545-638.0.

Indications de quantité:

Les indications de quantité dans la liste de pièces de rechange correspondre aux nombres de pièces des composant utilisées dans la construction.

Matériel au mètre:

Les pièces de rechange qui sont livrées au mètre doivent être raccourcies à longueur souhaitée par l'acheteur même. Les nombres des pièces sont indiquées en quantité de commande minimale = 1m et doivent être augmentés selon le besoin à une chiffre de mètre complète.

Versions/ Numéros d'usine:

Lorsqu'il sont indiquées des versions ou des numéros d'usine dans la liste de pièces de rechange, vous devez vérifier que composant doit être utilisé pour votre appareil.

Pièces laquées:

Pour commander des pièces laquées, où les différentes couleurs ne sont pas indiquées dans la liste des pièces de rechange, vous devez indiquer en plus le numéro de la couleur ou seulement la couleur.

Modifications techniques:

Nous nous réservons la possibilité des modifications techniques ainsi le droit d'exploitation exclusive de notre propriété intellectuelle.

IT AVVERTENZE

Altre lingue:

Il presente elenco di parti di ricambio è disponibile sul nostro sito Web anche in altre lingue: sotto www.kaercher.com alla voce "Service".

L'indicazione del codice pezzo, ad es. 75456380, corrisponde al codice pezzo 7.545-638.0

Indicazioni di quantità:

Le indicazioni di quantità riportate dall'elenco "parti di ricambio" corrispondono al numero delle singole componenti contenute nella rispettiva unità.

Merce a metro:

Le parti di ricambio fornite come "merce a metro" devono venire in seguito accorciate alla lunghezza necessaria per il montaggio. La quantità unitaria è indicata come "quantità minima di ordinazione = 1m" e deve all'occorrenza venire moltiplicata per il numero intero di metri necessari.

Versioni / Numeri di fabbricazione:

Quando l'elenco "parti di ricambio" riporta diverse versioni o numeri di fabbricazione, confrontare la versione o il numero di fabbricazione del ricambio desiderato con quelle/i presenti nell'elenco e indicarla/o al momento dell'ordinazione.

Parti di ricambio verniciate:

Nel caso di ricambi verniciati, se l'elenco parti di ricambio non ne riporta espressamente i diversi colori, al momento dell'ordinazione è necessario indicare anche il colore o il numero del colore desiderato.

Modifiche tecniche:

Ci riserviamo il diritto di apportare modifiche tecniche così come il diritto di utilizzo esclusivo della nostra proprietà intellettuale.

ES INDICACIONES

Otros idiomas:

La lista de piezas de repuesto se puede adquirir en otros idiomas. La puede adquirir en www.kaercher.com en el área de servicios.

La notación de los números de las piezas, p.ej. 75456380 corresponde al número de pieza 7.545-638.0.

Cantidades:

Las indicaciones de cantidades de la lista de piezas de repuesto corresponden al número de piezas montadas en el componente.

Mercancía por metros:

Las piezas de repuesto que se suministran por metros se pueden cortar al largo deseado. La unidad mínima de pedido es de = 1 m y el número de metros completos se puede aumentar según necesidad.

Versiones/números de fábrica:

Si se indica la versión o número de fábrica en la lista de piezas de repuesto, se debe comprobar en ella la pieza a usar para su aparato antes de realizar el pedido.

Piezas lacadas:

Al realizar pedidos de piezas lacadas que no estén indicadas en los diferentes colores en la lista de piezas de repuesto, se debe indicar también la referencia del color o el color.

Modificaciones técnicas:

Reservados los derechos de realizar modificaciones técnicas y aprovechar nuestra propiedad intelectual.

PL WSKAZÓWKI

Pozostałe języki:

Ta lista części zamiennych jest dostępna w także w innych językach. Mogą ją Państwo pobrać ze strony www.kaercher.com w dziale Serwis.

Sposób zapisywania numeru części, np. 75456380, odpowiada numerowi części 7.545-638.0.

Dane ilości:

Dane ilości podane w liście części zamiennych odpowiadają liczbie sztuk podzespołów tworzących dany moduł.

Towar sprzedawany na metry:

Części zamienne dostarczane jako towar sprzedawany na metry po zamontowaniu należy samodzielnie skrócić do potrzebnej długości. Liczba sztuk podana jest jako minimalna ilość zamówienia =1m i w zależności od potrzeb zwiększa się ją o kolejne pełne metry.

Wersje/ Numer zakładu:

Jeżeli w liście części zamiennych podane są wersje lub numery zakładu, przed zamówieniem na ich podstawie należy sprawdzić, który podzespół stosuje się w Państwa urządzeniu.

Części lakierowane:

W przypadku zamówień części lakierowanych, które w liście części zamiennych nie podano w wielu kolorach, należy dodatkowo zaznaczyć nr koloru lub kolor.

Zmiany techniczne:

Zastrzegamy sobie prawo do zmian technicznych oraz wyłącznego wykorzystywania naszej własności intelektualnej.

RU УКАЗАНИЯ:

Другие языки:

Данный список запасных частей также доступен на других языках. Вы найдете его на сайте www.kaercher.com в разделе Service
Маркировка номера детали, например, 75456380, соответствует номеру детали 7.545-638.0.

Указание количества:

Количественные данные в списке запасных частей соответствуют числу компонентов, входящих в состав узлов.

Товар, продаваемый на метры:

Запасные части, продающиеся на метры, необходимо обрезать до нужной длины. Число изделий указано в виде минимального объема заказа = 1м и их количество можно округлить до требуемого по мере необходимости.

Варианты исполнения/заводские номера:

Если варианты исполнения или заводские номера указаны в списке запасных частей, то перед заказом необходимо проверить, какая деталь подходит для вашего устройства.

Лакированные детали:

При заказе лакированных деталей, варианты расцветки которых не указаны в списке запасных частей, необходимо дополнительно указать номер цвета или необходимый для вас цвет.

Технические изменения:

Мы оставляем за собой право на технические изменения, а также право на исключительное использование нашей интеллектуальной собственности.

Table of contents

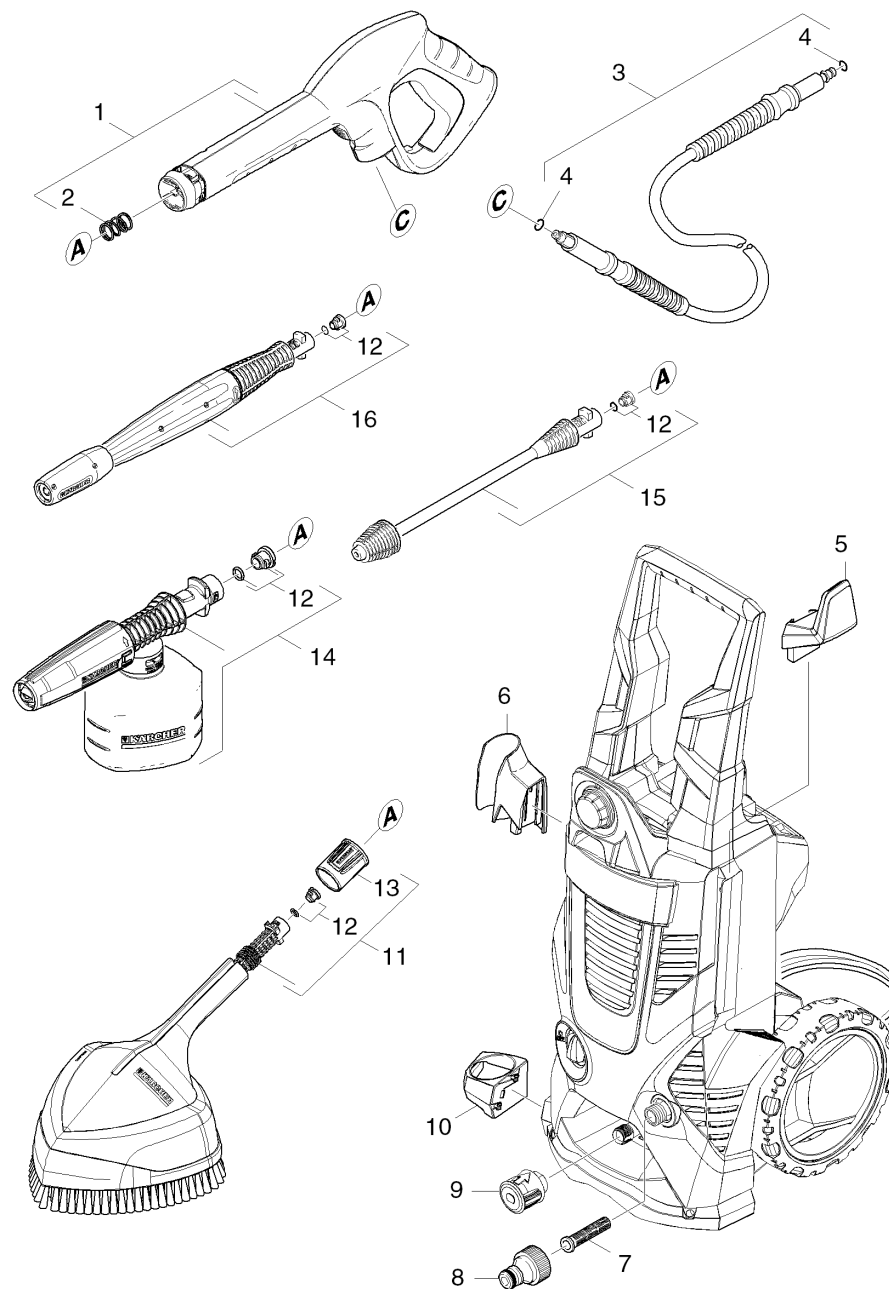
Order instructions	2
K 7 *EU (1.168-502.0)	7
Short spare parts list	8
1000 Spare parts list K7 (5.971-439.0)	10
10 Housing	11
11 Housing front	12
12 Housing rear	14
11 Wheel set replacement 250 Hummer (4.515-288.0)	16
20 Pump set	18
21 Cylinder head	19
1 Spare parts set excess-current (2.885-186.0)	21
103 Control piston complete	23
10 Cylinder head complete brass (4.550-942.0)	25
17 Valve pin complete (4.584-022.0)	27
19 Nozzle insert only for replacement (4.769-034.0)	29
22 Plug complete (4.580-702.0)	31
22 Piston guidance	34
30 Motor	36
31 Motor	37
32 Motor	39
40 Accessories	41
41 Hand trigger gun	42
G 160 Q pistol Quick Connect (2.642-172.0)	44
2 High pressure hose 16MPa/12 60°C QC B (6.391-785.0)	46
42 Jet pipe	48
4 VPS K5 033 (4.760-524.0)	50
4 Dirt blaster 033 St (4.764-213.0)	52
43 Surface cleaner	53
17 Spare parts nozzles T-Racer (2.643-338.0)	55
17 Spare parts nozzles T-Racer (2.643-338.0)	58
44 T 450 T-Racer Surface Cleaner (2.643-214.0)	61
100 Spare parts list T 450 (5.972-951.0)	62
1 Single-step jet pipe extension (2.643-240.0)	64
3 Spare parts rotor complete (2.885-406.0)	66
5 Rotor complete	68
4 Bearing support completely T 400	70
1 Adapter complete	72
2 Spare parts nozzles T-Racer (2.643-338.0)	74

Table of contents

5 Spare parts nozzles T-Racer (2.643-338.0)	77
45 Foam nozzle	80
46 Power Brush	82
Power Brush (2.641-812.0)	84
100 Spare parts list Power-Brush D 150 (5.962-931.0)	85
10 Surface cleaner	86
50 Electric box	88

K 7 *EU (1.168-502.0)

POS	Article no.	Description	Quantity	Unit
0		Short spare parts list	1.000	ST
1000	5.971-439.0	Spare parts list K7	1.000	ST
Item text2: 3DD39390A7DC4FD8E1000000C34F56CF13961000				



Short spare parts list

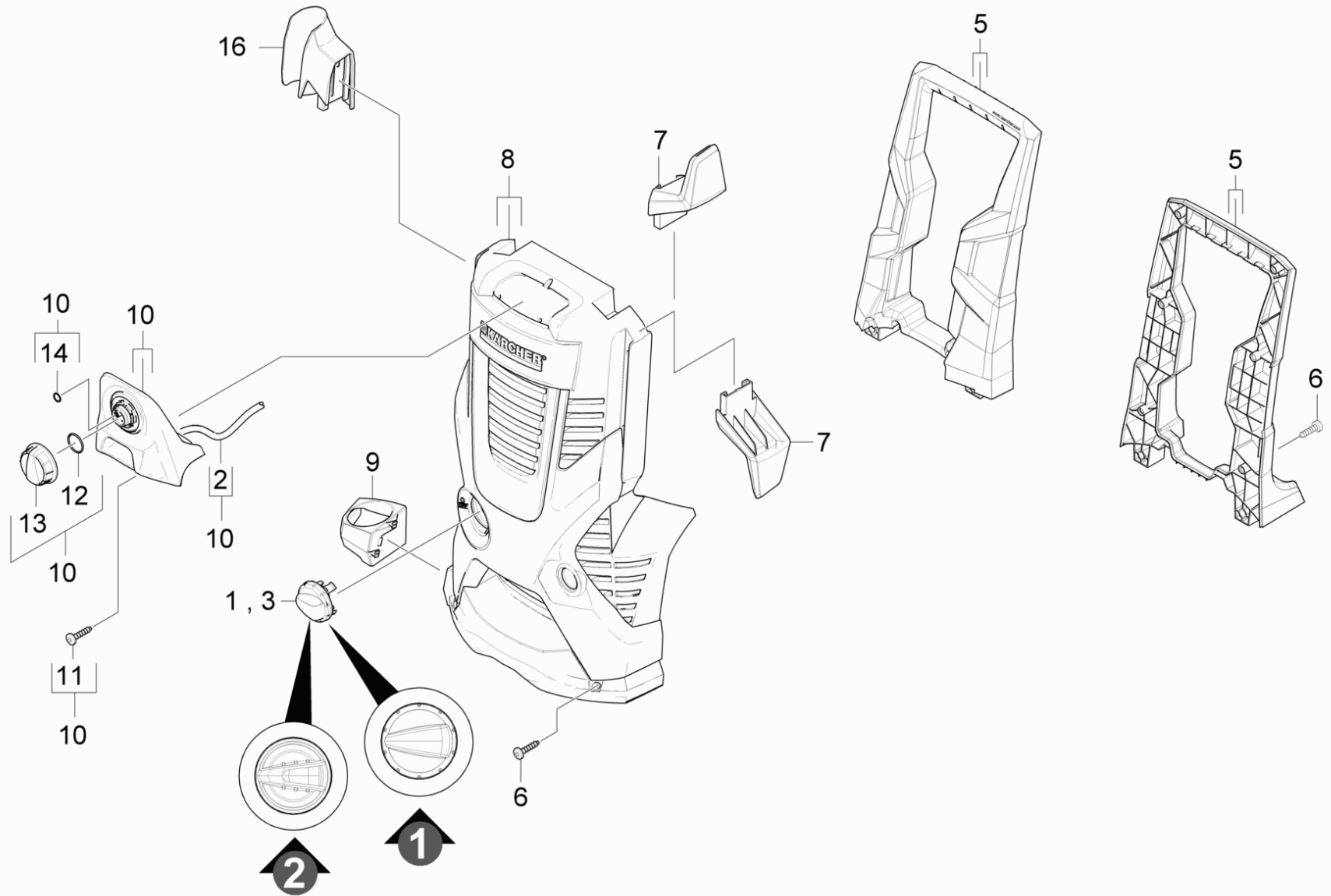
POS	Article no.	Description	Quantity	Unit
1	2.642-172.0	G 160 Q pistol Quick Connect	1.000	ST
2	5.332-464.0	Pressure spring	1.000	ST
3	6.391-780.0	High pressure hose rubber 16/12 60°C	1.000	ST
4	6.363-410.0	O-Ring seal 5,7x1,78 NBR 90Shore	2.000	ST
5	9.037-622.0	Catch for cable	1.000	ST
6	9.037-618.0	Holder pistol above	1.000	ST
7	5.731-620.0	Fine filter	1.000	ST
8	6.465-031.0	Connection 3/4	1.000	ST
9	4.470-041.0	High pressure quick-fitting pipe union A	1.000	ST
10	9.037-619.0	Holder pistol bottom	1.000	ST
11	2.641-812.0	Power Brush	1.000	ST
12	2.640-729.0	O-Ring seal set	4.000	ST
13	5.310-160.0	Nut Kaercher	1.000	ST
14	2.643-150.0	FJ 3 foam nozzle Basic Line	1.000	ST
15	4.764-213.0	Dirt blaster 033 St	1.000	ST
16	4.760-542.0	VPS K5 032	1.000	ST

1000 Spare parts list K7 (5.971-439.0)

POS	Description	Quantity	Unit
10	Housing	1.000	ST
20	Pump set	1.000	ST
30	Motor	1.000	ST
40	Accessories	1.000	ST
50	Electric box	1.000	ST

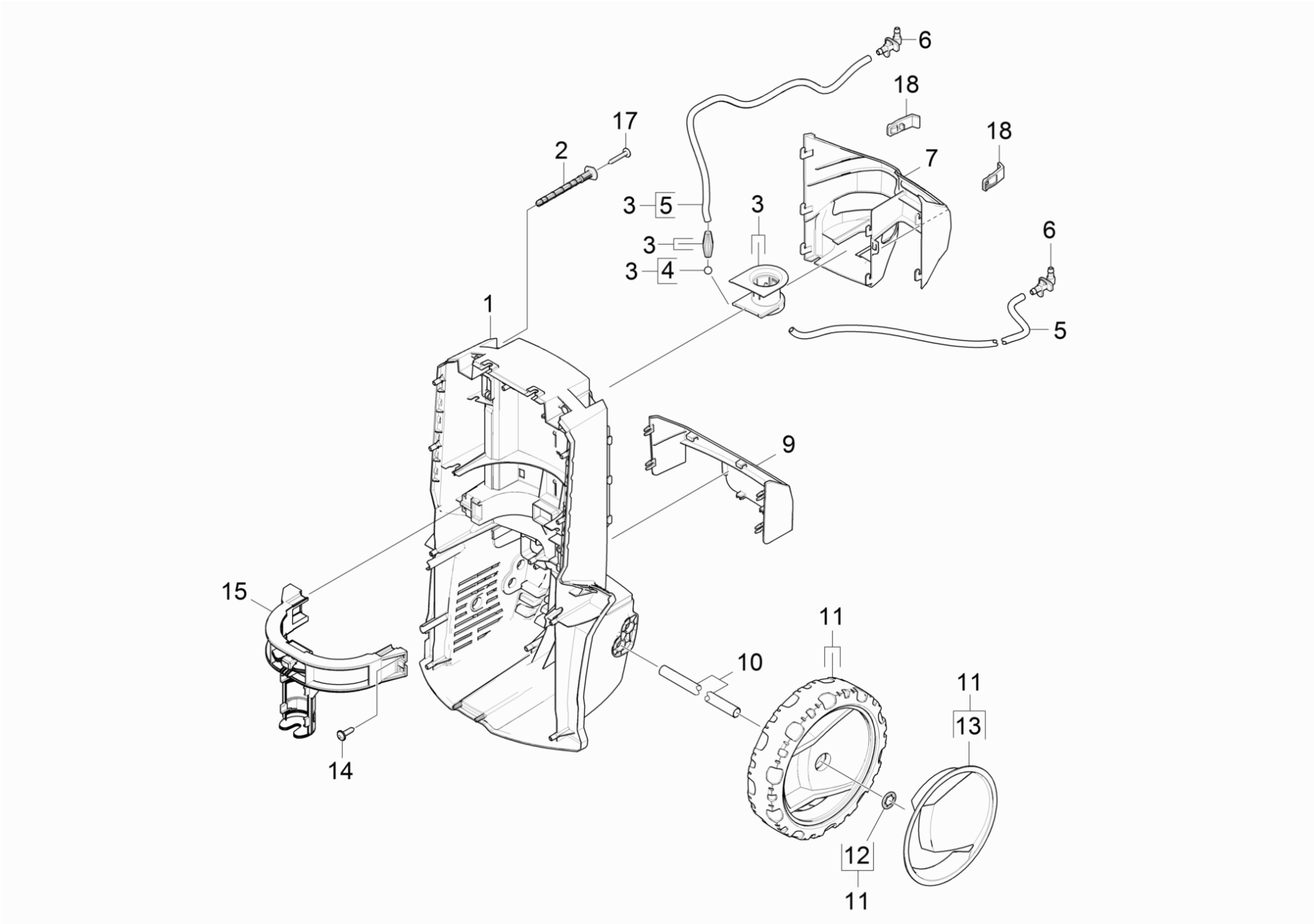
10 Housing

POS	Description	Quantity	Unit
11	Housing front	1.000	ST
12	Housing rear	1.000	ST



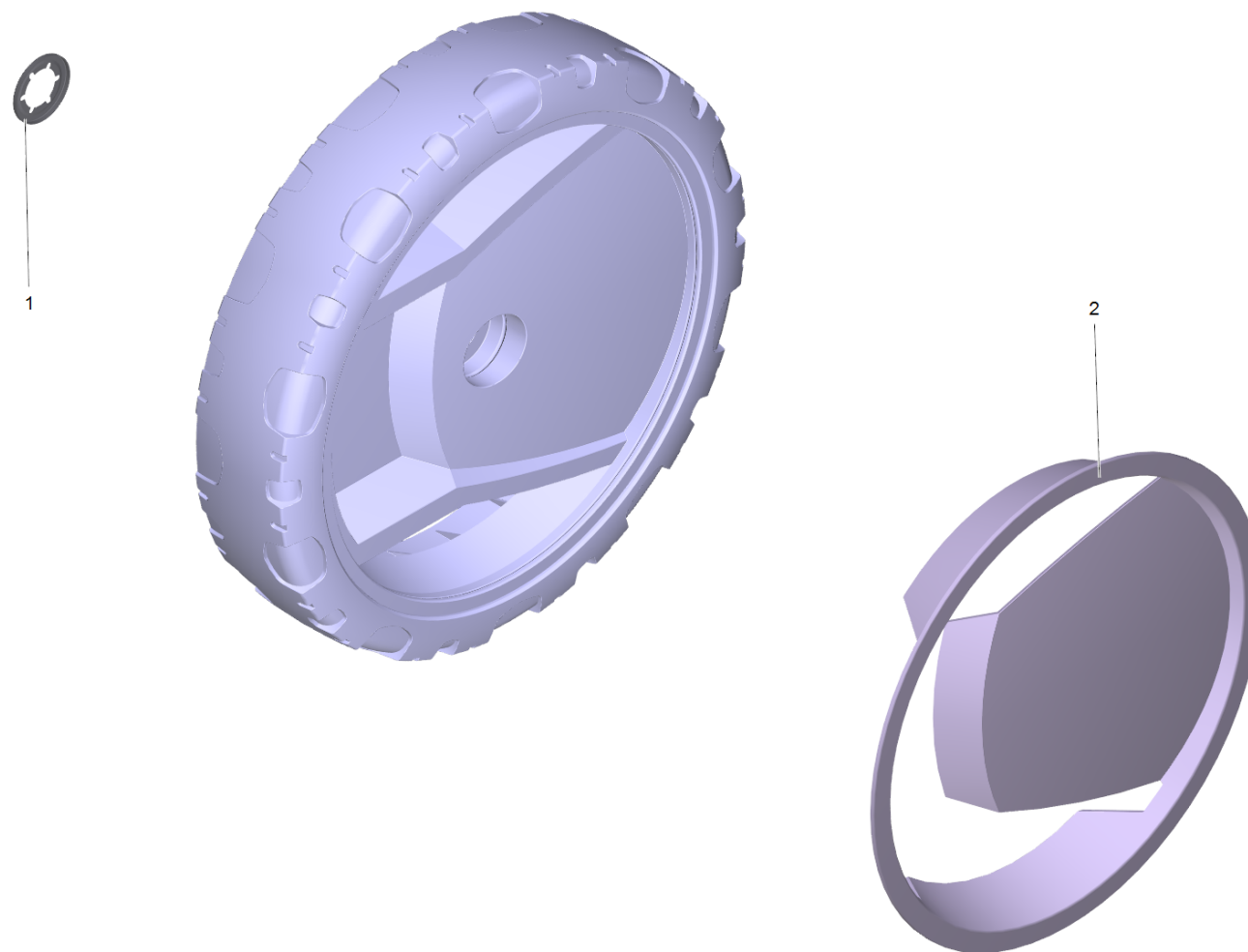
11 Housing front

POS	Article no.	Description	Quantity	Unit	Foot note text
1	9.037-693.0	Handhold switch	1.000	ST	VERSION 1
2	6.390-426.0	Hose DN 5	1.000	M	TO ORDER AS CUT GOODS
3	9.048-123.0	2K KNOB black	1.000	ST	VERSION 2
5	4.321-976.0	Handhold closed	1.000	ST	
6	6.303-150.0	Screw 4,2x 22	15.000	ST	
7	9.037-622.0	Catch for cable	2.000	ST	
8	2.885-194.0	Spare parts set cover Compact	1.000	ST	
9	9.037-619.0	Holder pistol bottom	1.000	ST	
10	2.885-282.0	Spare parts set hook hose	1.000	ST	
11	9.086-203.0	Screw 4x22	2.000	ST	
12	6.362-522.0	O-Ring seal 24,0 X 2,0	1.000	ST	
13	9.037-621.0	Handhold chemistry	1.000	ST	
14	6.363-018.0	O-Ring seal 4X2	1.000	ST	
16	9.037-618.0	Holder pistol above	1.000	ST	



12 Housing rear

POS	Article no.	Description	Quantity	Unit	Foot note text
1	5.033-700.0	Chassis rear closed	1.000	ST	
2	5.317-352.0	Bolt	2.000	ST	
3	4.321-256.0	RM adapter	1.000	ST	
4	7.401-911.0	Sphere 4 -PP DIN 5401	1.000	ST	
5	6.390-426.0	Hose DN 5	2.000	M	TO ORDER AS CUT GOODS
6	9.037-861.0	Nipple 90° Mod.Range	2.000	ST	
7	5.321-960.0	Holder accessories above	1.000	ST	
9	5.321-959.0	Holder accessories bottom	1.000	ST	
10	5.105-646.0	Axle L=325	1.000	ST	
11	4.515-288.0	Wheel set replacement 250 Hummer	1.000	ST	SET OF 2 PIECES
12	6.343-168.0	Lock washer	2.000	ST	
13	4.515-296.0	Screen for replacement 250 Hummer	1.000	ST	SET OF 2 PIECES
14	6.303-200.0	Screw 5x25-IN6RD	4.000	ST	
15	5.321-961.0	Retaining bracket fixing	1.000	ST	
17	9.086-203.0	Screw 4x22	2.000	ST	
18	5.052-081.0	Clamp	2.000	ST	

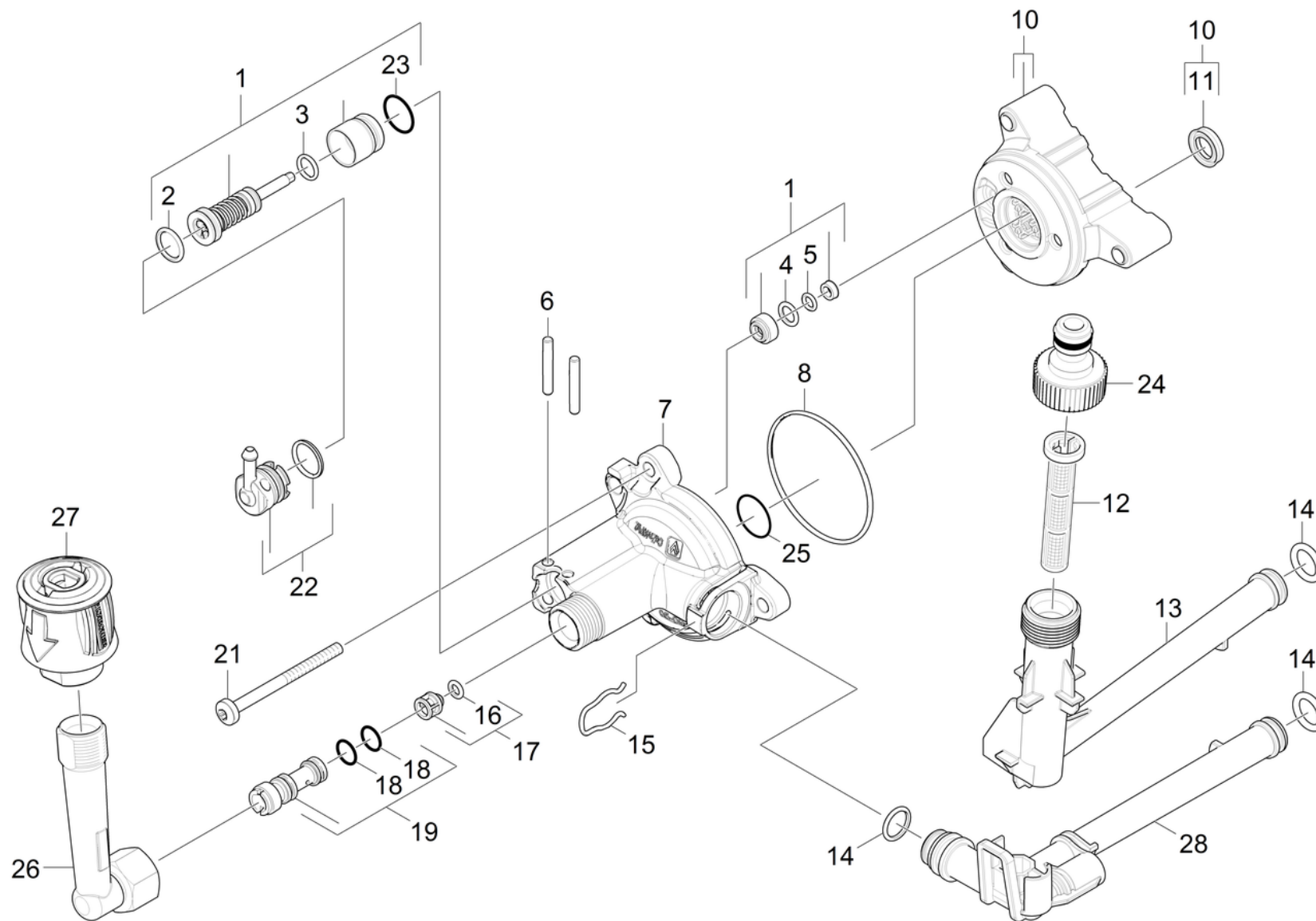


11 Wheel set replacement 250 Hummer (4.515-288.0)

POS	Article no.	Description	Quantity	Unit	Foot note text
1	6.343-168.0	Lock washer	2.000	ST	
2	4.515-296.0	Screen for replacement 250 Hummer	1.000	ST	SET OF 2 PIECES

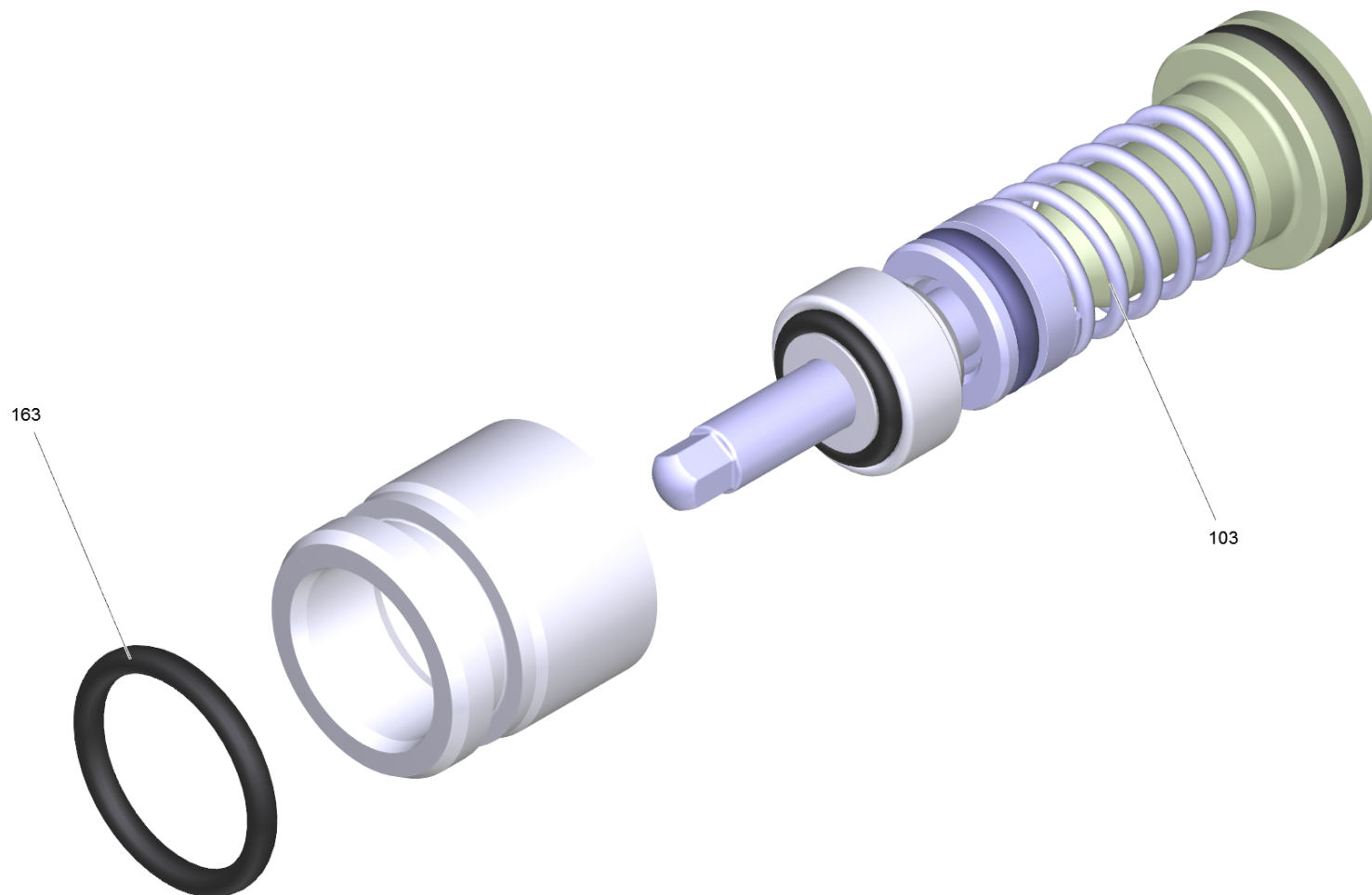
20 Pump set

POS	Description	Quantity	Unit
21	Cylinder head	1.000	ST
22	Piston guidance	1.000	ST



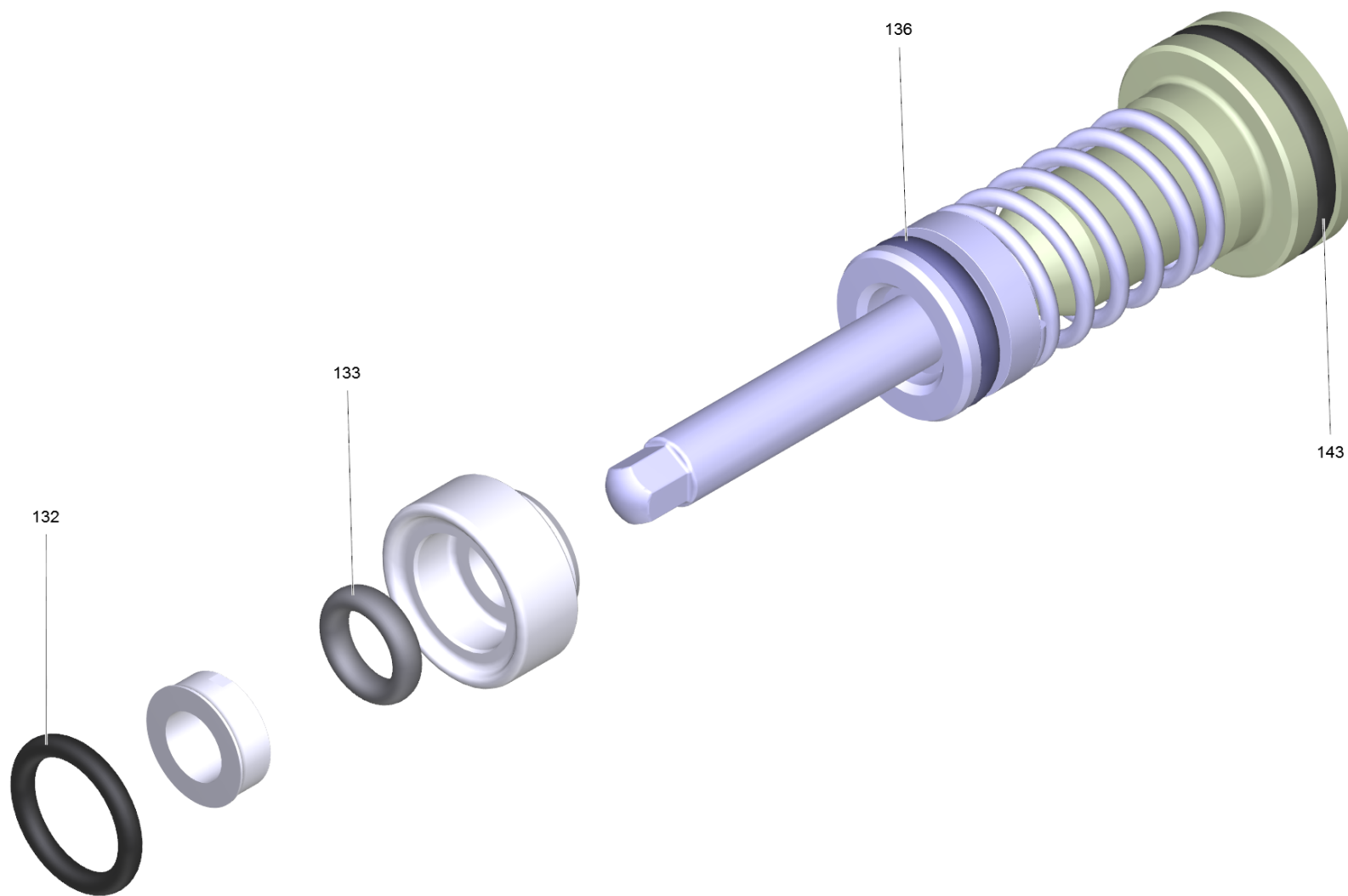
21 Cylinder head

POS	Article no.	Description	Quantity	Unit
1	2.885-186.0	Spare parts set excess-current	1.000	ST
2	6.362-381.0	O-Ring seal 13x2 - NBR 70	1.000	ST
3	6.362-958.0	O-Ring seal 9 x 2-NBR 90	1.000	ST
4	6.362-101.0	O-Ring seal 8 X 2	1.000	ST
5	6.362-486.0	O-Ring seal 4,7 X 1,9 -NBR 70	1.000	ST
6	5.314-150.0	Pin	2.000	ST
7	5.062-149.0	Housing	1.000	ST
8	6.363-616.0	O-Ring seal 60,0x2,0 -NBR70	1.000	ST
10	4.550-942.0	Cylinder head complete brass	1.000	ST
11	6.363-435.0	Grooved ring 12x17x4,25/2,5	3.000	ST
12	5.731-620.0	Fine filter	1.000	ST
13	5.443-644.0	Tube intake	1.000	ST
14	6.363-610.0	O-Ring seal 13 x 3 -NBR	3.000	ST
15	5.048-915.0	Clamp	1.000	ST
16	6.363-613.0	O-Ring seal 4 x 2 -NBR90	1.000	ST
17	4.584-022.0	Valve pin complete	1.000	ST
18	6.362-384.0	O-Ring seal 9x1,5 - NBR 70	2.000	ST
19	4.769-034.0	Nozzle insert only for replacement	1.000	ST
21	7.306-268.0	Screw M6x70 -8.8-R3R (In6Rd)	3.000	ST
22	4.580-702.0	Plug complete	1.000	ST
23	6.362-427.0	O-Ring seal 15,0x2,0	1.000	ST
24	6.465-031.0	Connection 3/4	1.000	ST
25	6.362-562.0	O-Ring seal 21,95X 1,78-NBR 90	1.000	ST
26	4.025-894.0	High-pressure outlet complete K5.91M	1.000	ST
27	4.470-041.0	High pressure quick-fitting pipe union A	1.000	ST
28	5.443-654.0	Tube Ruecklauf WCM K7 D117	1.000	ST



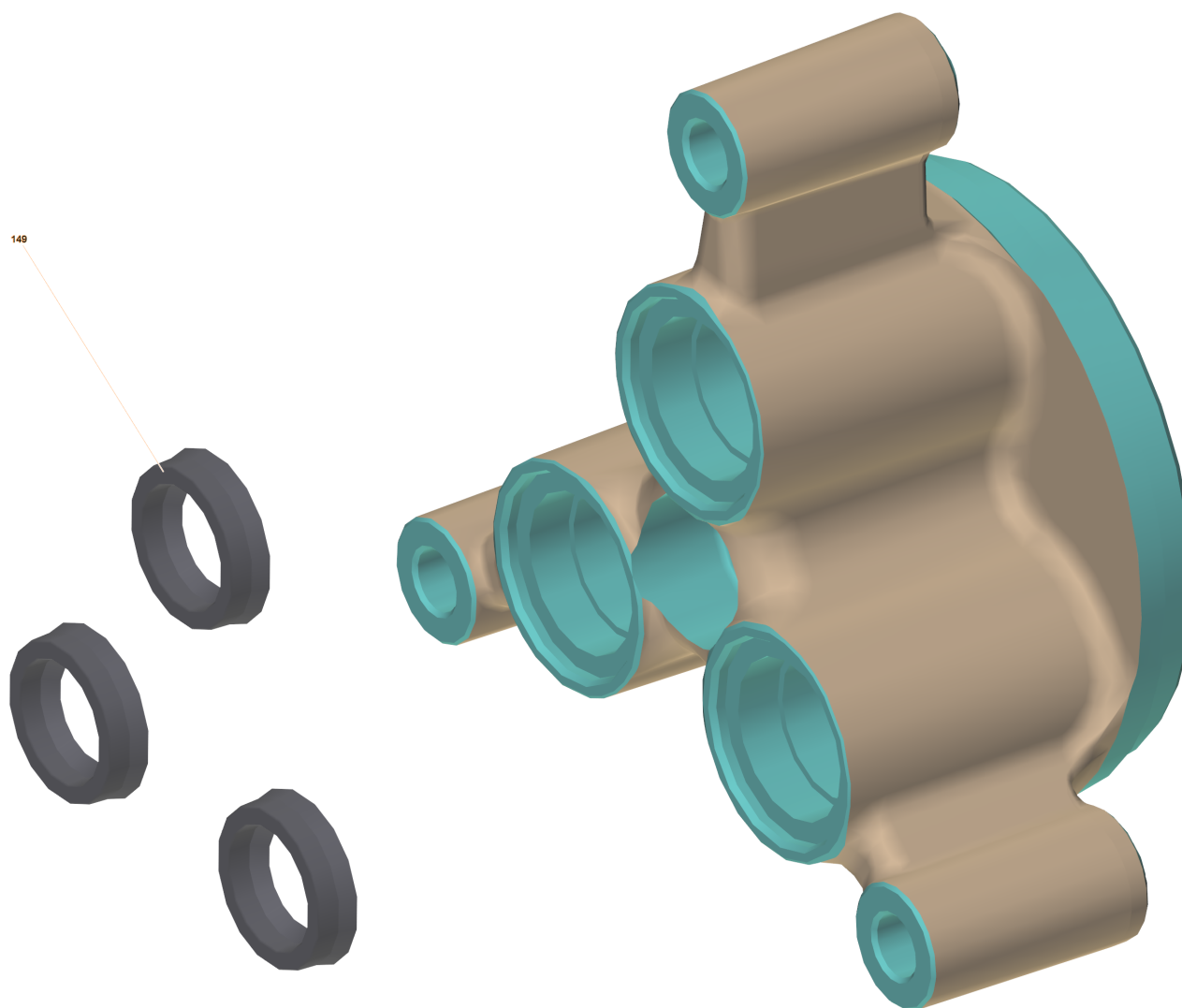
1 Spare parts set excess-current (2.885-186.0)

POS	Article no.	Description	Quantity	Unit
103		Control piston complete	1.000	ST
163	6.362-030.0	O-Ring seal 15x2 90 Shore IRHD	1.000	ST



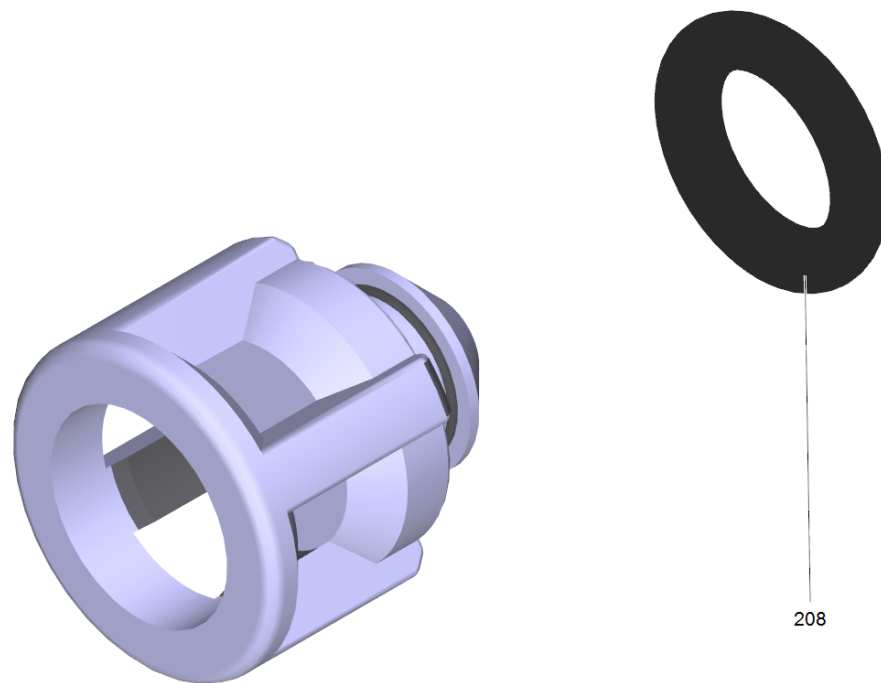
103 Control piston complete

POS	Article no.	Description	Quantity	Unit
132	6.362-101.0	O-Ring seal 8 X 2	1.000	ST
133	6.363-606.0	O-Ring seal 4,7 x 1,9 -NBR70	1.000	ST
136	6.363-614.0	O-Ring seal 9 x 2 -NBR90	1.000	ST
143	6.362-381.0	O-Ring seal 13x2 - NBR 70	1.000	ST



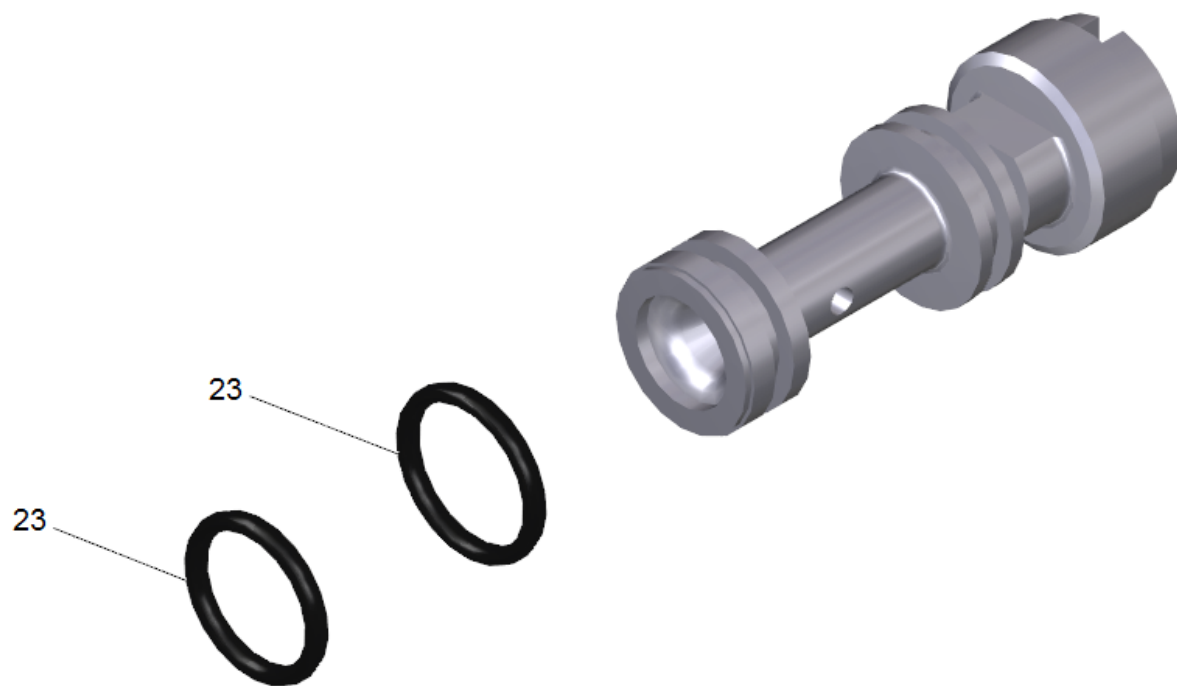
10 Cylinder head complete brass (4.550-942.0)

POS	Article no.	Description	Quantity	Unit
149	6.363-435.0	Grooved ring 12x17x4,25/2,5	3.000	ST



17 Valve pin complete (4.584-022.0)

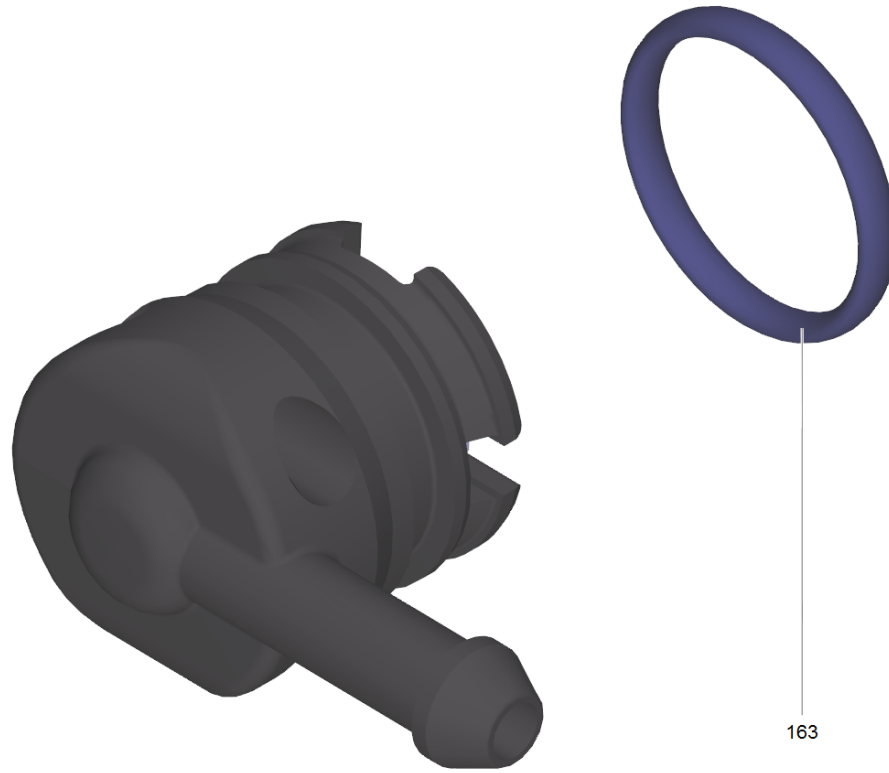
POS	Article no.	Description	Quantity	Unit
208	6.363-613.0	O-Ring seal 4 x 2 -NBR90	1.000	ST



19 Nozzle insert only for replacement (4.769-034.0)

POS	Article no.	Description	Quantity	Unit
23	6.362-384.0	O-Ring seal 9x1,5 - NBR 70	2.000	ST

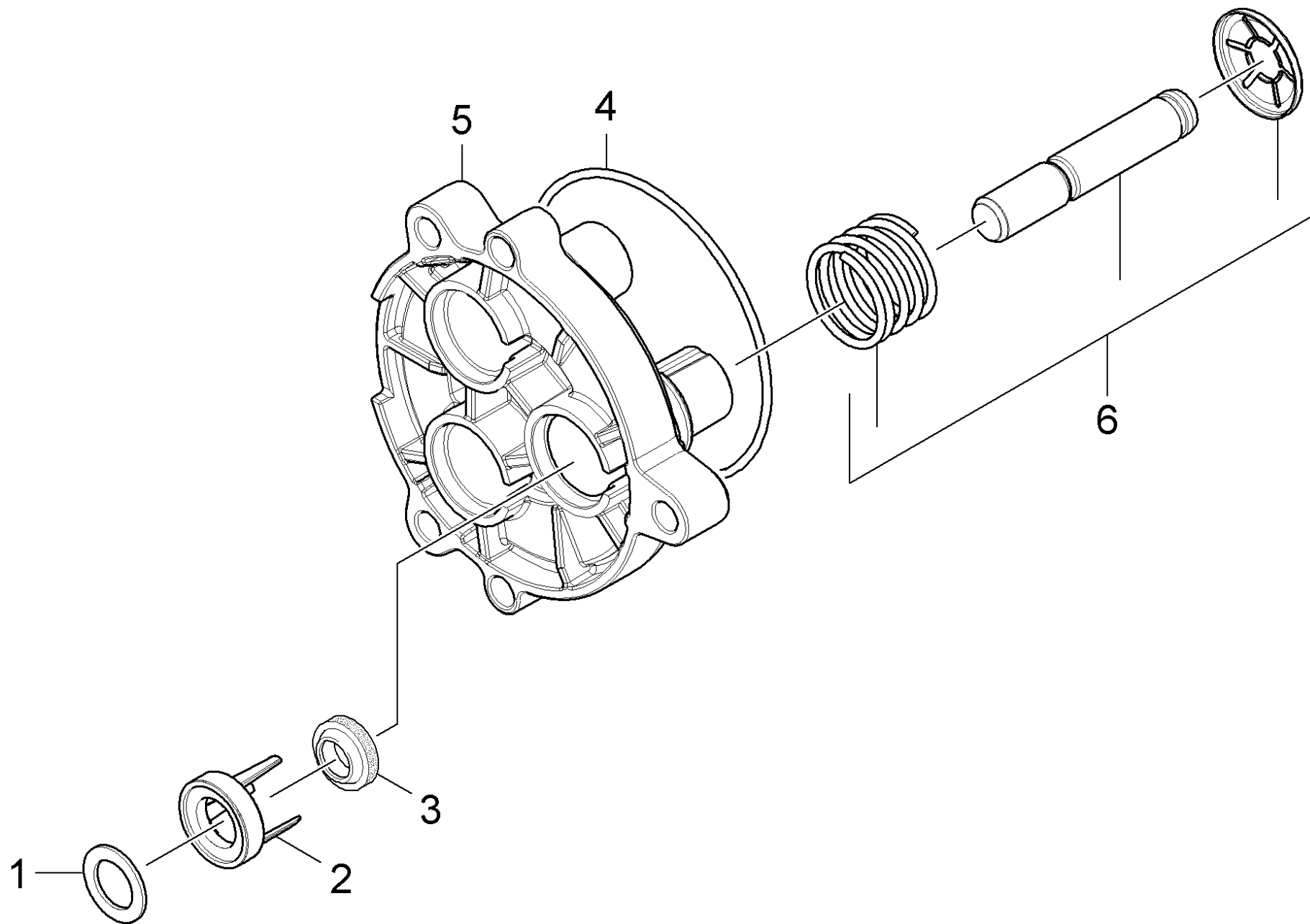




163

22 Plug complete (4.580-702.0)

POS	Article no.	Description	Quantity	Unit
163	6.362-030.0	O-Ring seal 15x2 90 Shore IRHD	1.000	ST

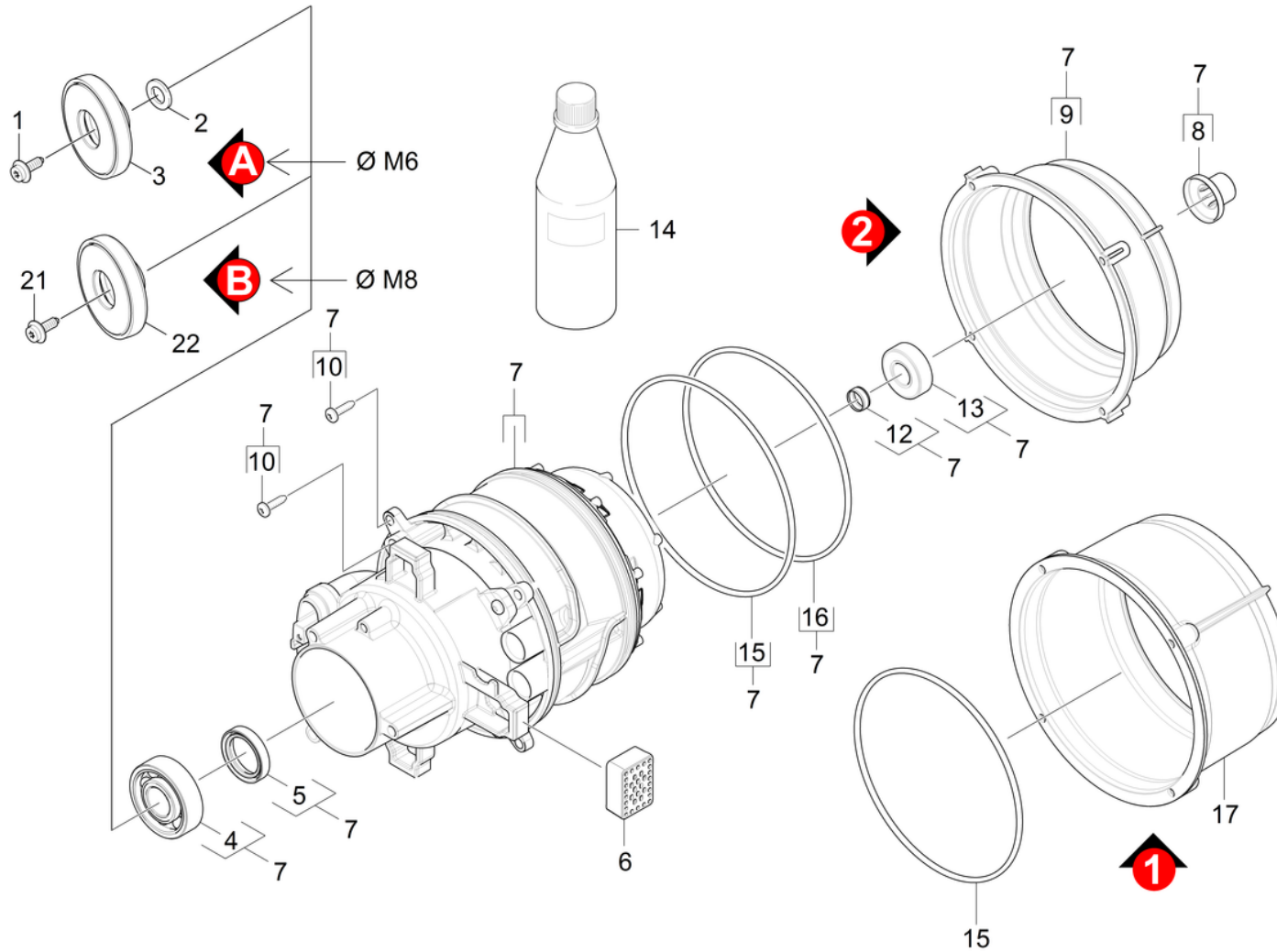


22 Piston guidance

POS	Article no.	Description	Quantity	Unit
1	5.116-380.0	Washer piston guidance	3.000	ST
2	5.116-381.0	Supporting disk	3.000	ST
3	6.363-633.0	Grooved ring 12x18x6/5/1	3.000	ST
4	6.363-449.0	O-Ring seal 72x2 -NBR70	1.000	ST
5	5.062-349.0	Piston guidance 90° K7	1.000	ST
6	4.553-286.0	Piston complete	3.000	ST

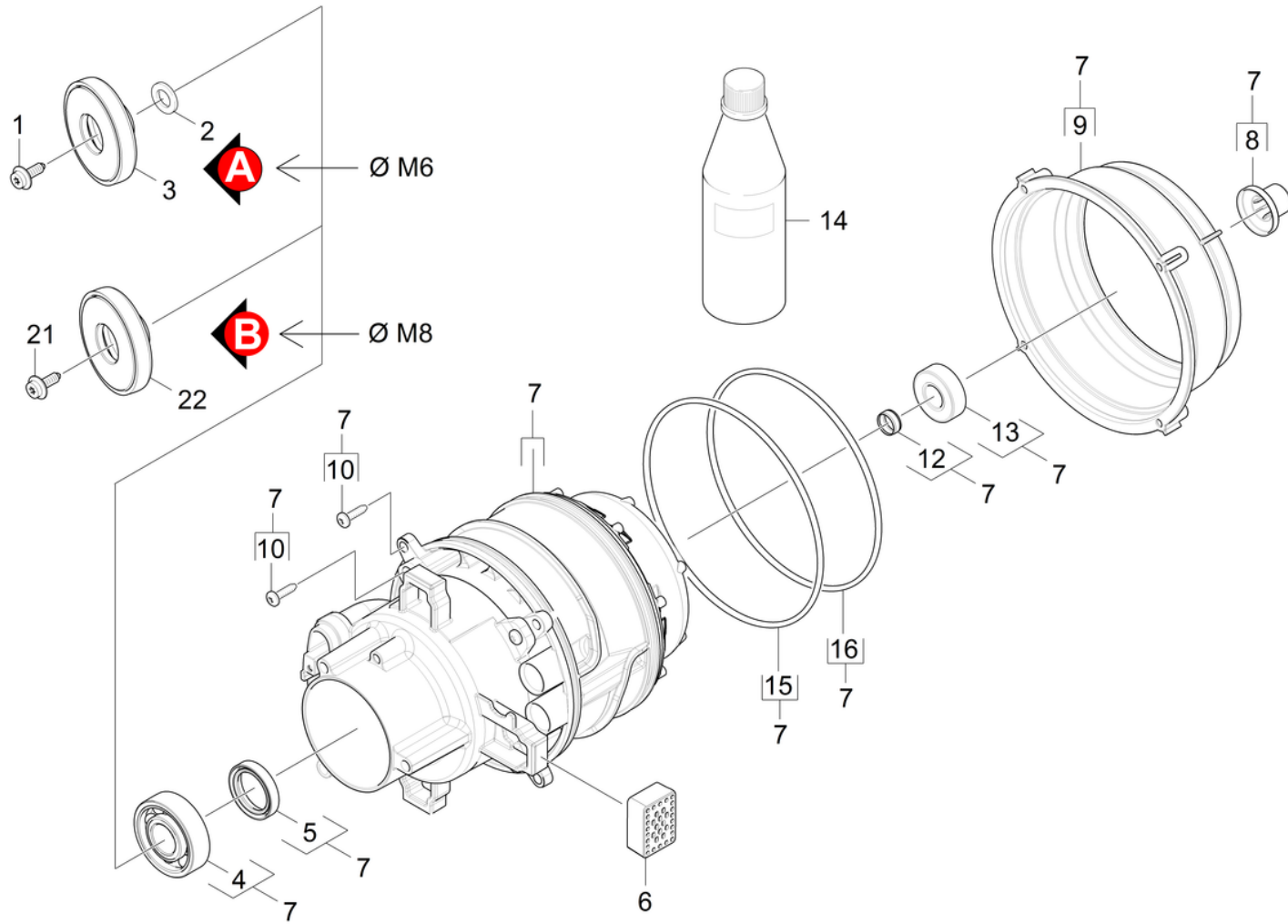
30 Motor

POS	Description	Quantity	Unit
31	Motor Item text1: 1.168-500.0 /-501.0 /-502.0 /-503.0 Item text2: /-505.0 /-506.0	1.000	ST
32	Motor Item text1: 1.168-504.0	1.000	ST



31 Motor

POS	Article no.	Description	Quantity	Unit	Remark	Foot note text
1	6.304-048.0	Cylinder head screw M6x19	1.000	ST	VERSION A ØM6	
2	5.116-428.0	Washer	1.000	ST	VERSION A ØM6	
3	4.120-001.0	Wobble plate complete 13° (D67)	1.000	ST	VERSION A ØM6	
4	7.401-155.0	Ball bearing 6304-WAELZLAGERST DIN 625	1.000	ST		
5	6.367-051.0	Rotary shaft seal -20X37X8 NBR	1.000	ST		
6	5.767-025.0	Rubber buffer	4.000	ST		
7	4.624-211.0	Motor K7 WCM	1.000	ST		
	Item text1: 1.168-500.0 /-501.0 /-502.0 /-503.0					
	Item text2: /-505.0 /-506.0					
8	5.443-634.0	Covering cap shaft WCM K6/7	1.000	ST		
9	5.093-422.0	Outer covering water flow K7 WCM	1.000	ST		VERSION 2
10	6.303-320.0	Screw M 5x 20-St-R2R	8.000	ST		
12	6.343-218.0	Tolerance ring 15x6	1.000	ST		
13	7.401-128.0	Ball bearing 6202-2RS -Wälzl.St DIN 625	1.000	ST		
14	6.288-050.0	Engine oil 1L	1.000	ST		
15	6.363-593.0	O-Ring seal 146x5 EPDM	2.000	ST		
16	6.363-647.0	O-Ring seal D130x5	1.000	ST		
17	5.093-412.0	Covering cap MG WCM D117	1.000	ST		VERSION 1
21	9.086-169.0	Wobble plate screw M8x16	1.000	ST	VERSION B ØM8	
22	4.120-001.0	Wobble plate complete 13° (D67)	1.000	ST	VERSION B ØM8	

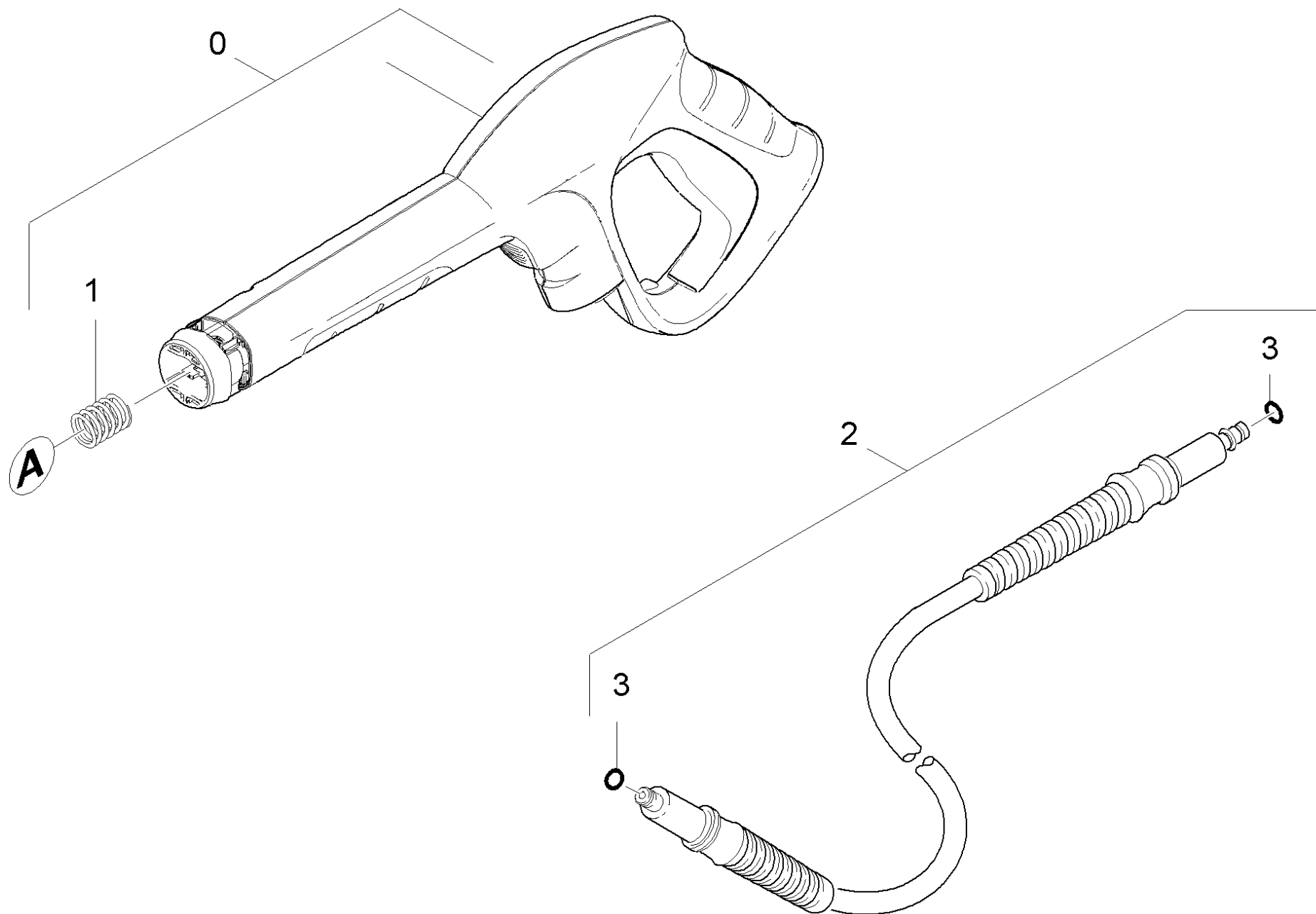


32 Motor

POS	Article no.	Description	Quantity	Unit	Remark
1	6.304-048.0	Cylinder head screw M6x19	1.000	ST	VERSION A ØM6
2	5.116-428.0	Washer	1.000	ST	VERSION A ØM6
3	4.120-001.0	Wobble plate complete 13° (D67)	1.000	ST	VERSION A ØM6
4	7.401-155.0	Ball bearing 6304-WAELZLAGERST DIN 625	1.000	ST	
5	6.367-051.0	Rotary shaft seal -20X37X8 NBR	1.000	ST	
6	5.767-025.0	Rubber buffer	4.000	ST	
7	4.624-219.0	Motor complete for replacement K7 WCM *G	1.000	ST	
	Item text1: 1.168-504.0				
8	5.443-634.0	Covering cap shaft WCM K6/7	1.000	ST	
9	5.093-422.0	Outer covering water flow K7 WCM	1.000	ST	
10	6.303-320.0	Screw M 5x 20-St-R2R	8.000	ST	
12	6.343-218.0	Tolerance ring 15x6	1.000	ST	
13	7.401-128.0	Ball bearing 6202-2RS -Wälzl.St DIN 625	1.000	ST	
14	6.288-050.0	Engine oil 1L	1.000	ST	
15	6.363-593.0	O-Ring seal 146x5 EPDM	1.000	ST	
16	6.363-647.0	O-Ring seal D130x5	1.000	ST	
21	9.086-169.0	Wobble plate screw M8x16	1.000	ST	VERSION B ØM8
22	4.120-001.0	Wobble plate complete 13° (D67)	1.000	ST	VERSION B ØM8

40 Accessories

POS	Article no.	Description	Quantity	Unit	Remark
41		Hand trigger gun	1.000	ST	
42		Jet pipe	1.000	ST	
43		Surface cleaner	1.000	ST	T 400
44	2.643-214.0	T 450 T-Racer Surface Cleaner	1.000	ST	T 450
45		Foam nozzle	1.000	ST	
46		Power Brush	1.000	ST	



41 Hand trigger gun

POS	Article no.	Description	Quantity	Unit
0	2.642-172.0	G 160 Q pistol Quick Connect	1.000	ST
1	5.332-464.0	Pressure spring	1.000	ST
2	6.391-785.0	High pressure hose 16MPa/12 60°C QC B	1.000	ST
	Item text1: 1.168-500.0 /-501.0			
2	4.440-852.0	High pressure hose rubber 16/12 60°C	1.000	ST
	Item text1: 1.168-502.0 /-503.0 /-504.0 /-506.0			
3	6.363-410.0	O-Ring seal 5,7x1,78 NBR 90Shore	2.000	ST



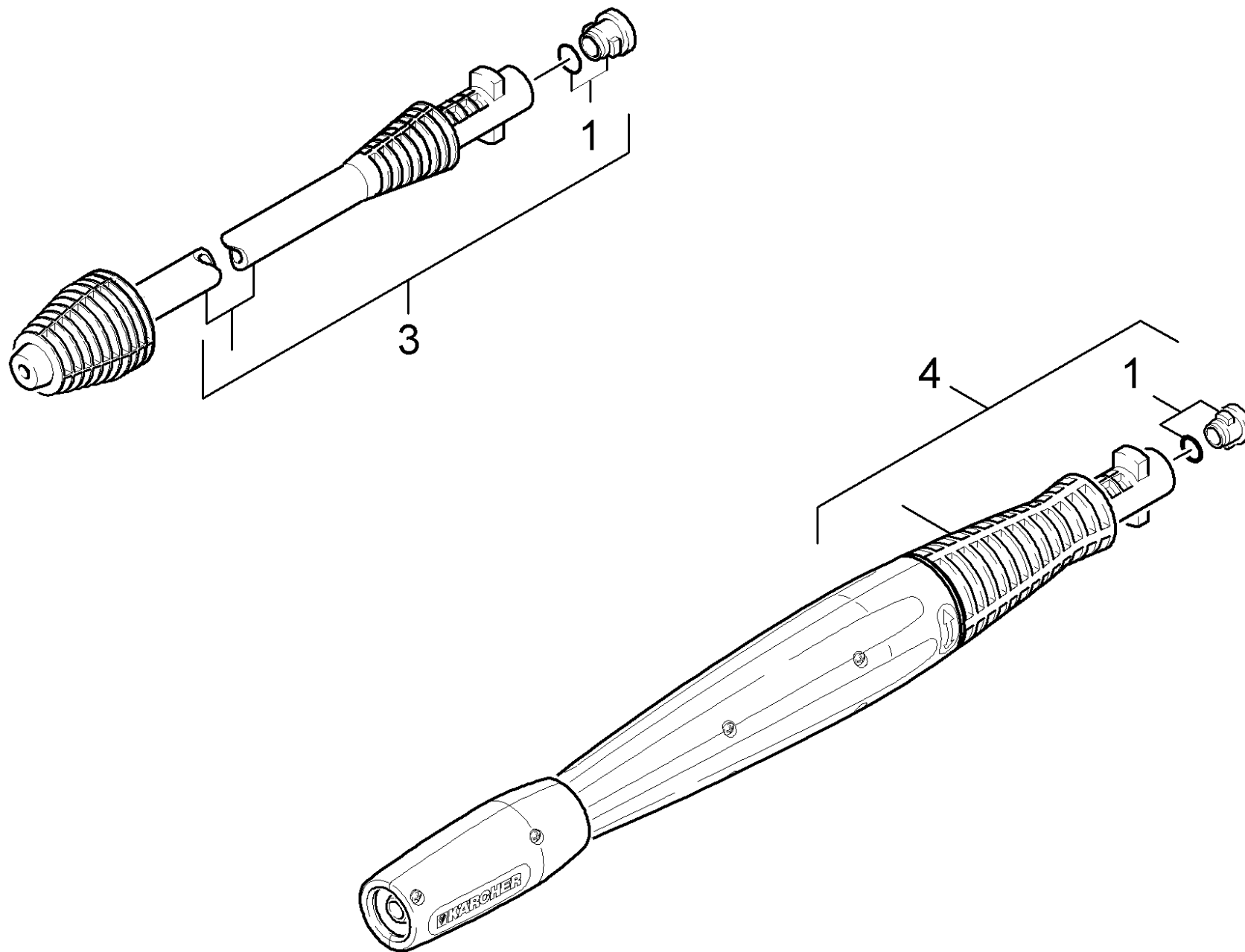
G 160 Q pistol Quick Connect (2.642-172.0)

POS	Article no.	Description	Quantity	Unit
1	5.332-464.0	Pressure spring	1.000	ST



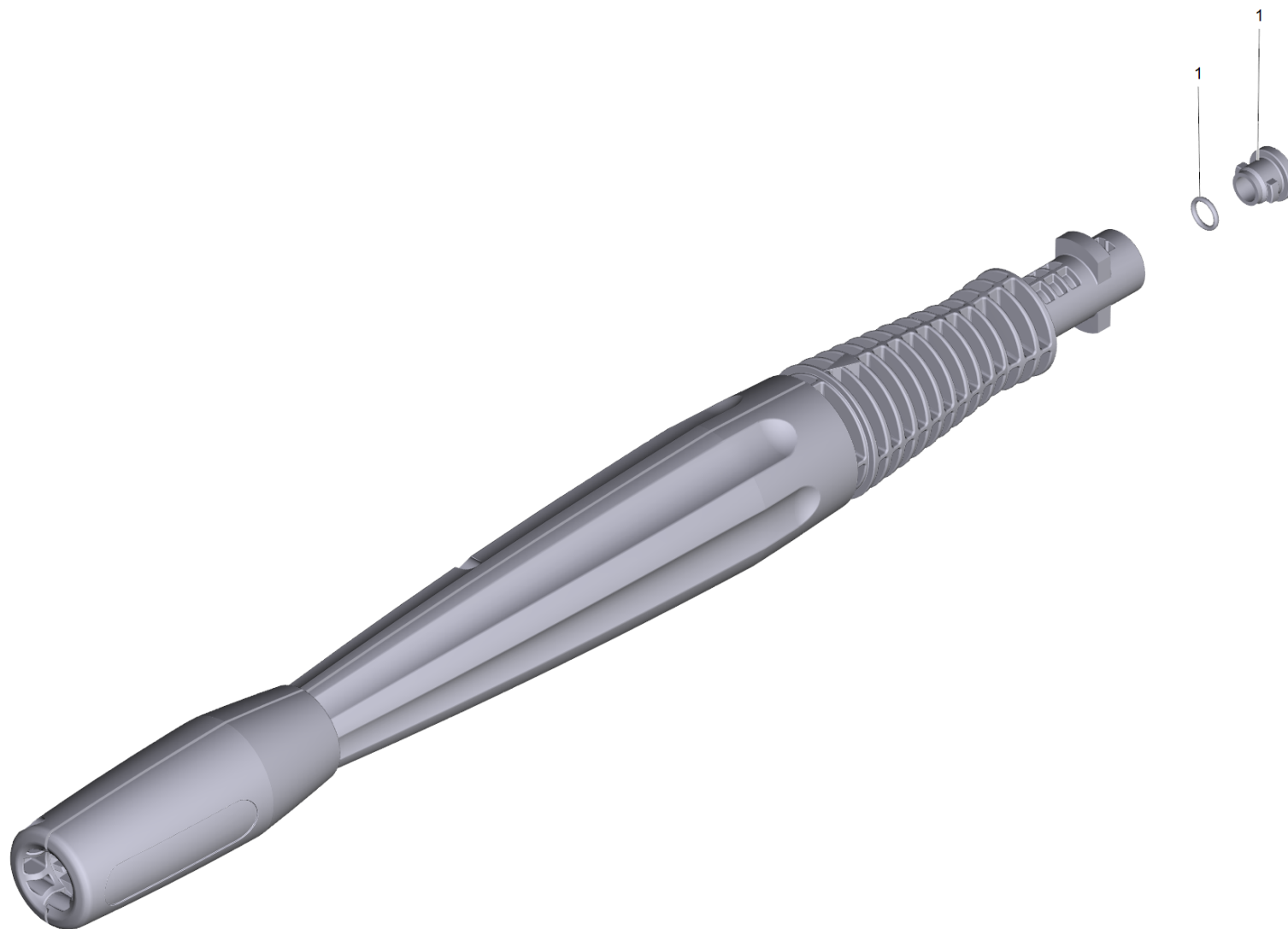
2 High pressure hose 16MPa/12 60°C QC B (6.391-785.0)

POS	Article no.	Description	Quantity	Unit
1	2.640-729.0	O-Ring seal set	1.000	ST



42 Jet pipe

POS	Article no.	Description	Quantity	Unit
1	2.640-729.0	O-Ring seal set	1.000	ST
4	4.764-213.0	Dirt blaster 033 St	1.000	ST
4	4.760-524.0	VPS K5 033	1.000	ST

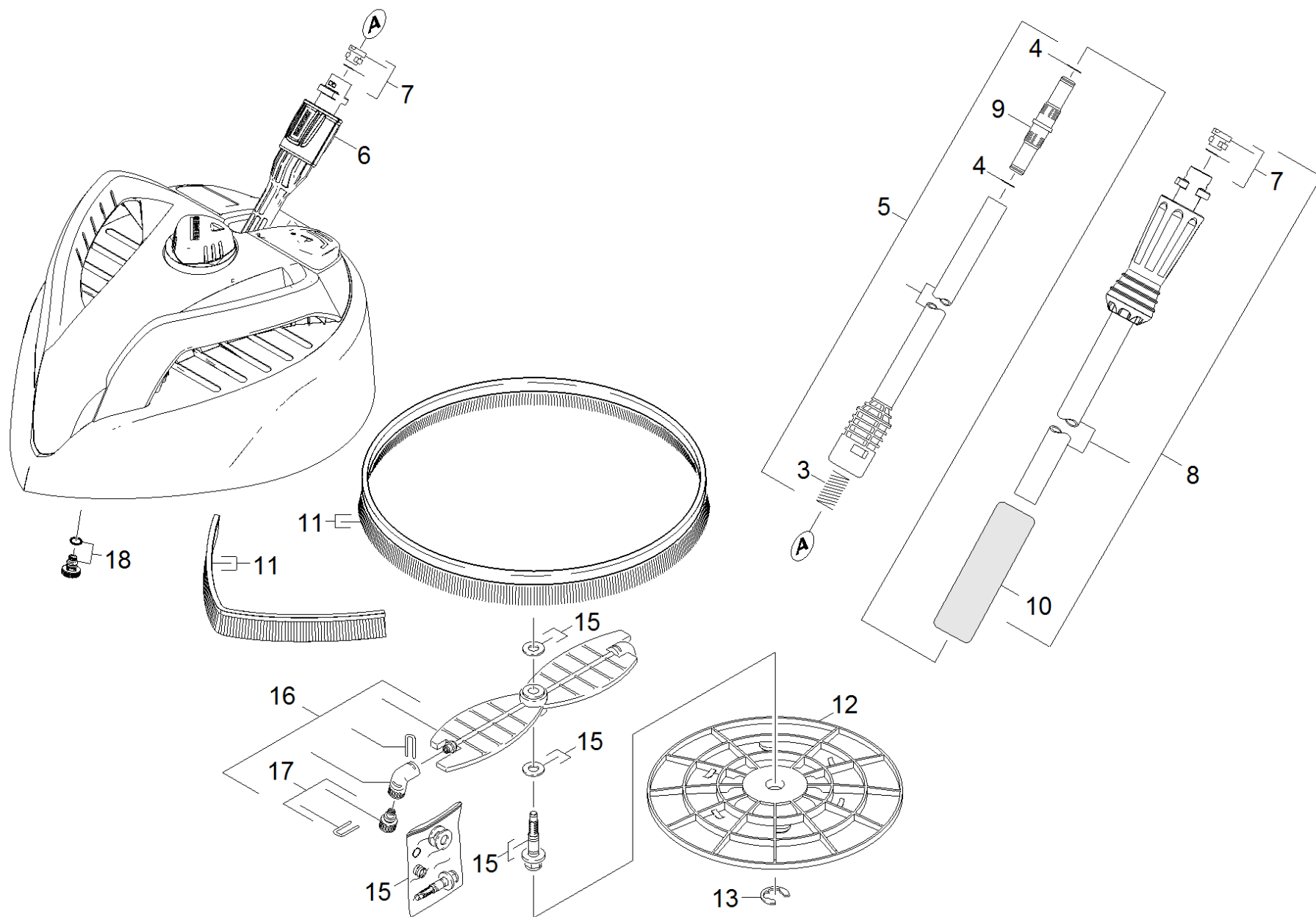


4 VPS K5 033 (4.760-524.0)

POS	Article no.	Description	Quantity	Unit
1	2.640-729.0	O-Ring seal set	1.000	ST

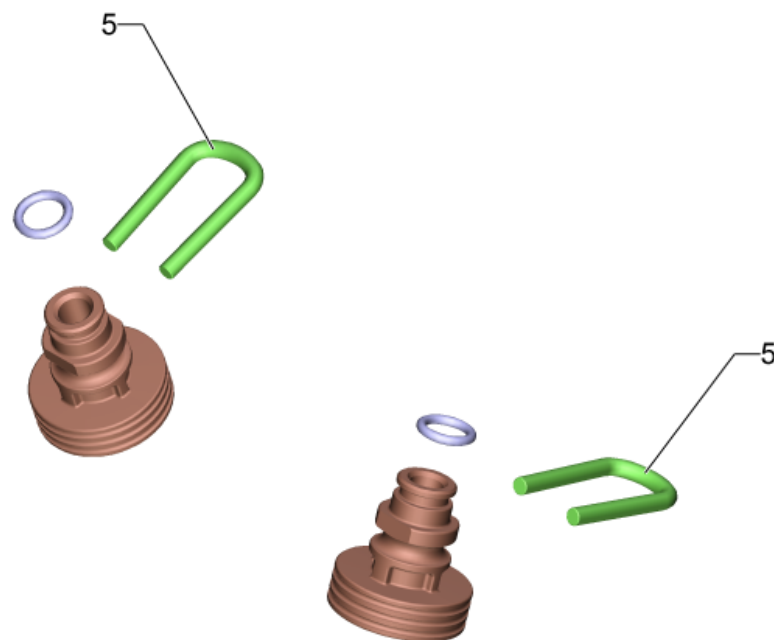
4 Dirt blaster 033 St (4.764-213.0)

POS	Article no.	Description	Quantity	Unit
3	6.363-612.0	O-Ring seal 22 x 2 -NBR90	1.000	ST
4		Spray lance bushing yellow	1.000	ST
5	6.362-642.0	O-Ring d. 7,65x1,78 -NBR 80	1.000	ST
999	2.640-729.0	O-Ring seal set	1.000	ST




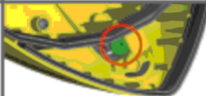









43 Surface cleaner




POS	Article no.	Description	Quantity	Unit	Foot note text
3	5.332-464.0	Pressure spring	1.000	ST	
4	6.362-577.0	O-Ring seal 11,0 X 1,5-NBR 70	1.000	ST	
5	4.760-495.0	Jet pipe	1.000	ST	
6	5.310-160.0	Nut Kaercher	1.000	ST	
7	2.640-729.0	O-Ring seal set	2.000	ST	
8	4.760-688.0	Jet pipe PS	1.000	ST	
9	5.471-105.0	Coupling element jet pipe extension	1.000	ST	
10	6.321-160.0	Handhold foamed material	1.000	ST	
11	2.885-097.0	Spare part set Bürsten T 400	1.000	ST	
12	5.394-661.0	Protection part	1.000	ST	
13	7.343-206.0	Lock washer 12-2.1030 DIN 6799	1.000	ST	
15	2.885-047.0	Set of gaskets T 400	1.000	ST	
16	2.885-048.0	Spare part set Rotor T 400	1.000	ST	
17	2.643-338.0	Spare parts nozzles T-Racer	1.000	ST	YELLOW
17	2.643-338.0	Spare parts nozzles T-Racer	1.000	ST	GREY
18	4.764-190.0	Nozzle kpl. 75047	1.000	ST	



17 Spare parts nozzles T-Racer (2.643-338.0)

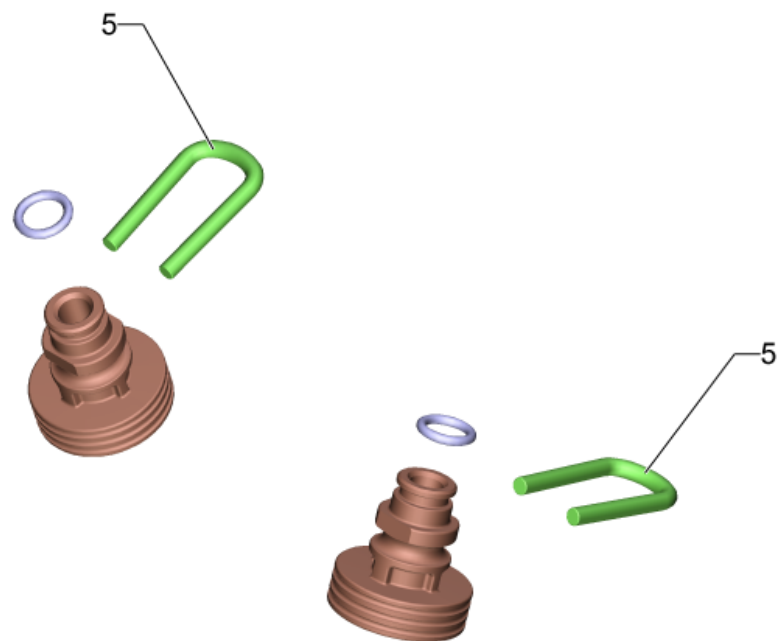
T 50, T 70, T 80, T 100 T 150, T 200, T 250, T 300, T 400, T 450, T 550	K 2 - K 5		
	K 6 - K 7		
T 400, T 450 T 550			
T 200, T 250	K 6 - K 7		
T 350 Gas			




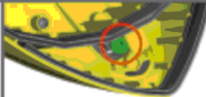




	K 3 - K 5	
	K 6 - K 7	




	K 2	
	K 3 - K 5	




17 Spare parts nozzles T-Racer (2.643-338.0)

POS	Article no.	Description	Quantity	Unit	Remark	Foot note text
1	4.764-155.0	Nozzle complete 15015	1.000	ST	<13 MPa (<130 bar)	GREY
		Item text1: 015				
2	4.764-156.0	Nozzle complete 15020	1.000	ST	13 MPa (130 bar) - 16 MPa (160 bar)	YELLOW
		Item text1: 020				
3		Nozzle complete 15027	1.000	ST		BLACK
		Item text1: 027				
4	4.764-190.0	Nozzle kpl. 75047	1.000	ST		GREEN
		Item text1: 047				
5	5.037-151.0	Clamp	2.000	ST		



T 50, T 70, T 80, T 100 T 150, T 200, T 250, T 300, T 400, T 450, T 550	K 2 - K 5		
	K 6 - K 7		
T 400, T 450 T 550			
T 200, T 250	K 6 - K 7		
T 350 Gas			

	K 3 - K 5	
	K 6 - K 7	

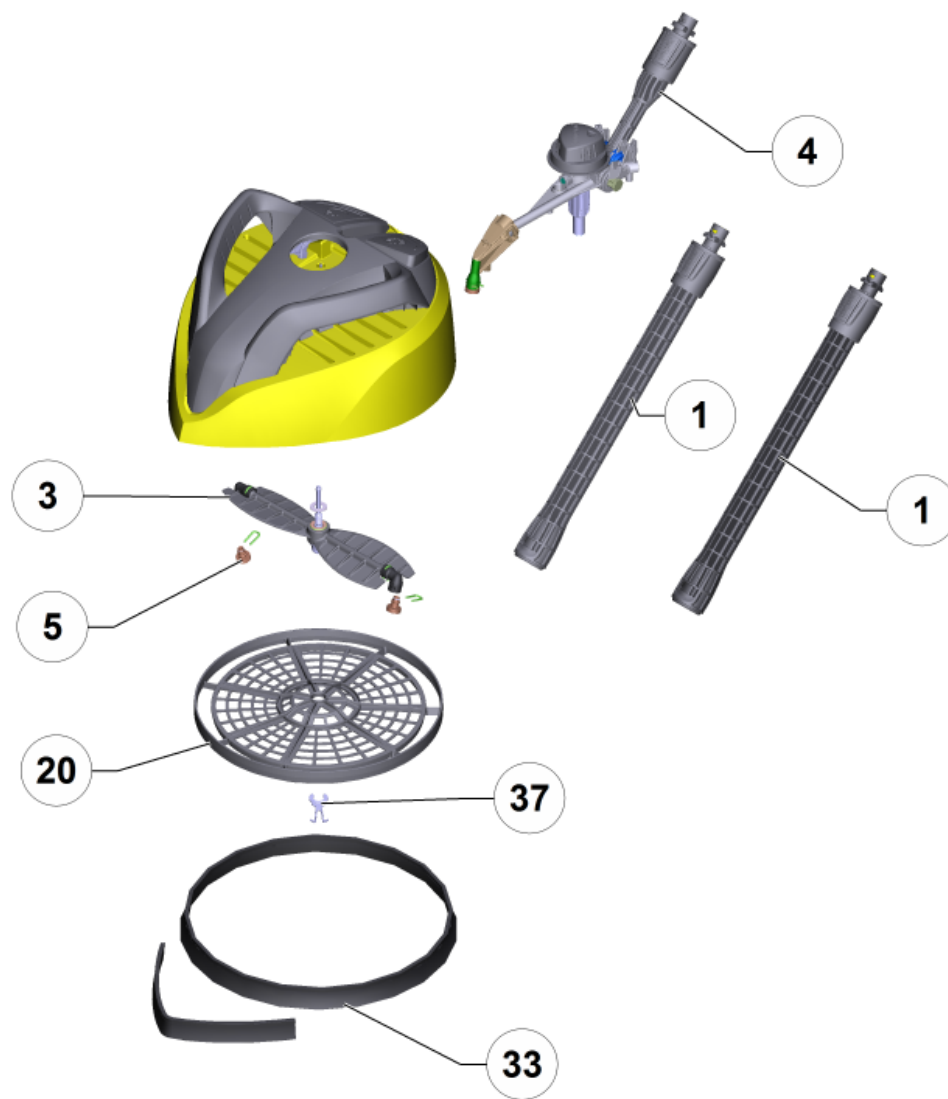
	K 2	
	K 3 - K 5	

17 Spare parts nozzles T-Racer (2.643-338.0)

POS	Article no.	Description	Quantity	Unit	Remark	Foot note text
1	4.764-155.0	Nozzle complete 15015	1.000	ST	<13 MPa (<130 bar)	GREY
	Item text1: 015					
2	4.764-156.0	Nozzle complete 15020	1.000	ST	13 MPa (130 bar) - 16 MPa (160 bar)	YELLOW
	Item text1: 020					
3		Nozzle complete 15027	1.000	ST		BLACK
	Item text1: 027					
4	4.764-190.0	Nozzle kpl. 75047	1.000	ST		GREEN
	Item text1: 047					
5	5.037-151.0	Clamp	2.000	ST		

44 T 450 T-Racer Surface Cleaner (2.643-214.0)

POS	Article no.	Description	Quantity	Unit
100	5.972-951.0	Spare parts list T 450	1.000	ST



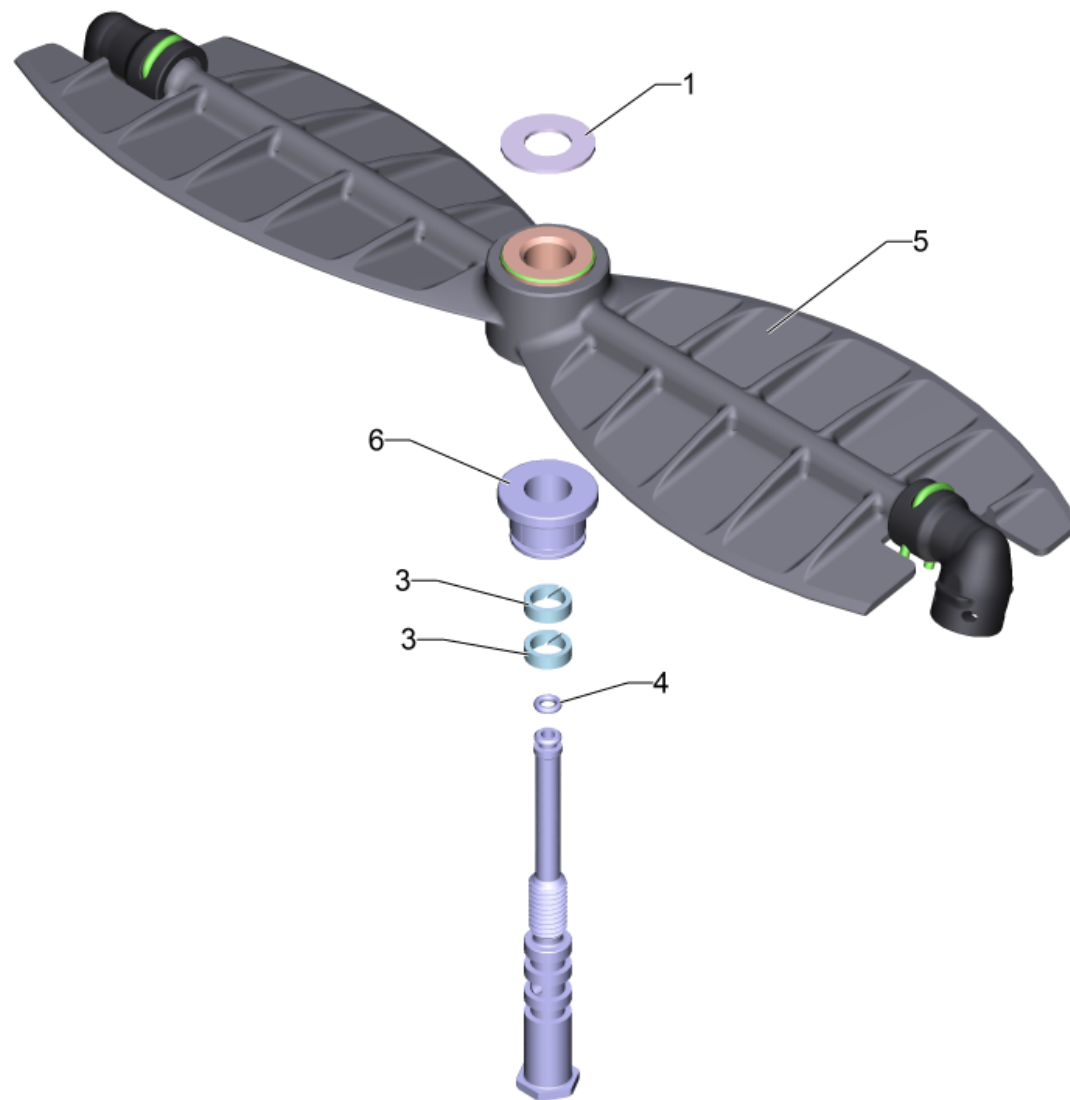
100 Spare parts list T 450 (5.972-951.0)

POS	Article no.	Description	Quantity	Unit
1	2.643-240.0	Single-step jet pipe extension	2.000	ST
3	2.885-406.0	Spare parts rotor complete	1.000	ST
4		Bearing support completely T 400	1.000	ST
5	2.643-338.0	Spare parts nozzles T-Racer	1.000	ST
20	5.394-873.0	Grate T 400 Plus	1.000	ST
33	2.885-097.0	Spare part set Bürsten T 400	1.000	ST
37	7.343-206.0	Lock washer 12-2.1030 DIN 6799	1.000	ST



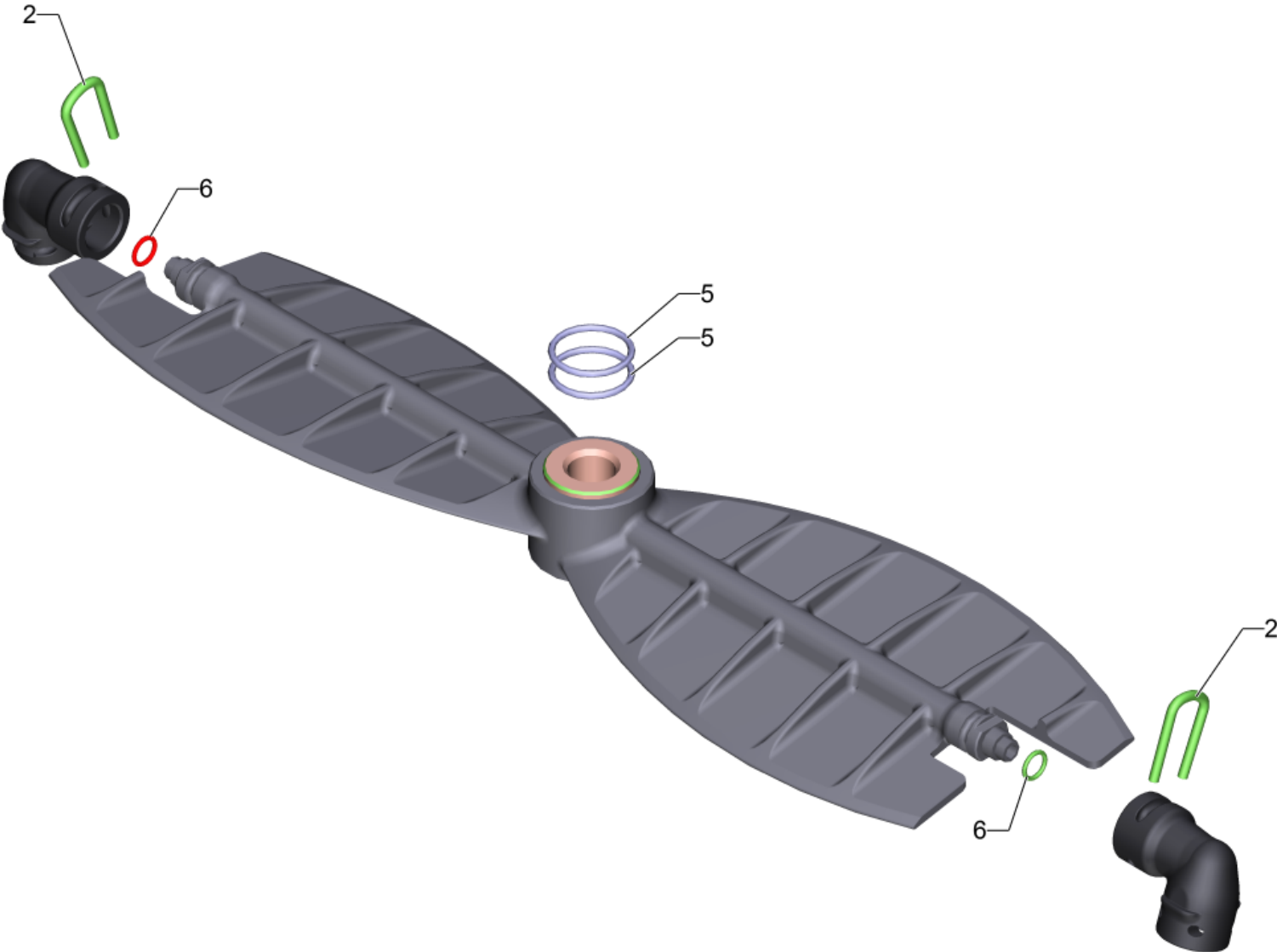
1 Single-step jet pipe extension (2.643-240.0)

POS	Article no.	Description	Quantity	Unit
3	2.640-729.0	O-Ring seal set	1.000	ST
8	5.332-464.0	Pressure spring	1.000	ST
10	5.310-160.0	Nut Kaercher	1.000	ST



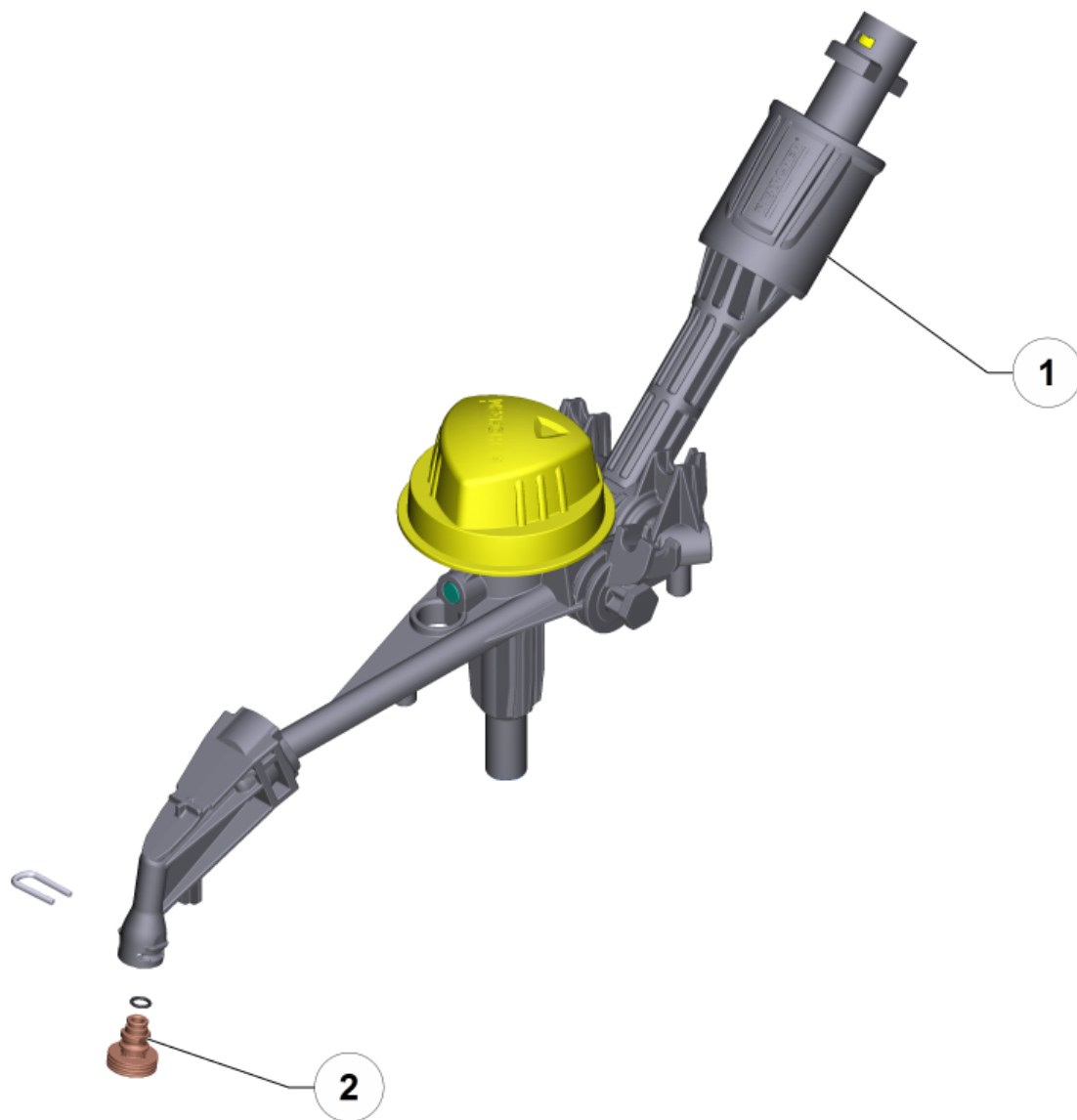
3 Spare parts rotor complete (2.885-406.0)

POS	Article no.	Description	Quantity	Unit
1	5.115-971.0	Washer	2.000	ST
3	5.363-412.0	Seal	2.000	ST
4	6.362-984.0	O-Ring d. 3 x 1,5 NBR 80	1.000	ST
5		Rotor complete	1.000	ST
6	5.035-439.0	Sleeve	1.000	ST



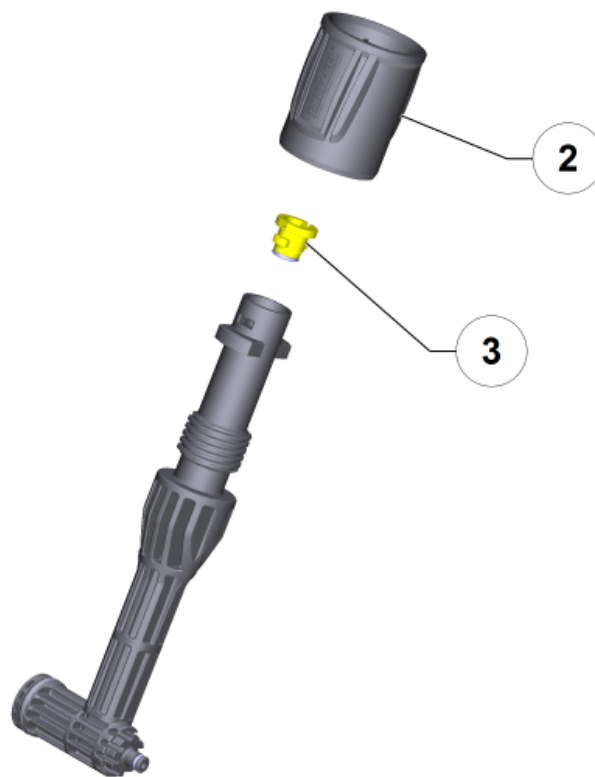
5 Rotor complete

POS	Article no.	Description	Quantity	Unit
2	5.037-151.0	Clamp	2.000	ST
5	6.363-608.0	O-Ring seal 15 x 1,5 -NBR90	2.000	ST
6	6.362-661.0	O-Ring seal 5,0 X 1,0-NBR 80	2.000	ST



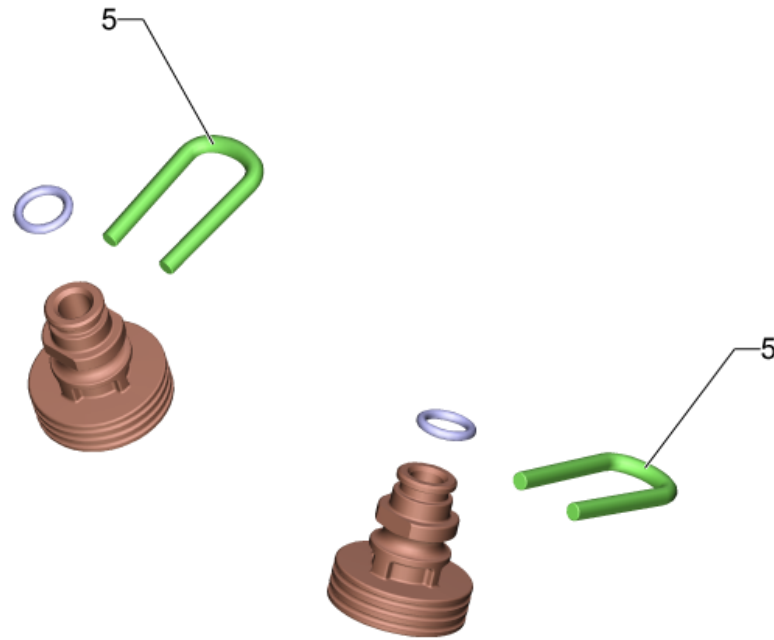
4 Bearing support completely T 400




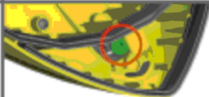




POS	Article no.	Description	Quantity	Unit
1		Adapter complete	1.000	ST
2	2.643-338.0	Spare parts nozzles T-Racer	1.000	ST









1 Adapter complete

POS	Article no.	Description	Quantity	Unit
2	5.310-160.0	Nut Kaercher	1.000	ST
3	2.640-729.0	O-Ring seal set	1.000	ST



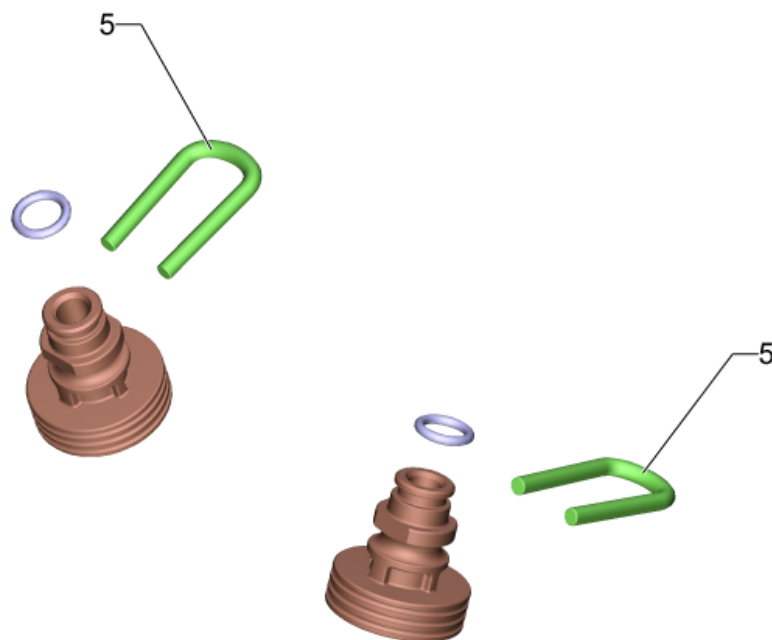
T 50, T 70, T 80, T 100 T 150, T 200, T 250, T 300, T 400, T 450, T 550	K 2 - K 5		
	K 6 - K 7		
T 400, T 450 T 550			
T 200, T 250	K 6 - K 7		
T 350 Gas			




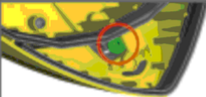




	K 3 - K 5	
	K 6 - K 7	




	K 2	
	K 3 - K 5	




2 Spare parts nozzles T-Racer (2.643-338.0)

POS	Article no.	Description	Quantity	Unit	Remark	Foot note text
1	4.764-155.0	Nozzle complete 15015	1.000	ST	<13 MPa (<130 bar)	GREY
		Item text1: 015				
2	4.764-156.0	Nozzle complete 15020	1.000	ST	13 MPa (130 bar) - 16 MPa (160 bar)	YELLOW
		Item text1: 020				
3		Nozzle complete 15027	1.000	ST		BLACK
		Item text1: 027				
4	4.764-190.0	Nozzle kpl. 75047	1.000	ST		GREEN
		Item text1: 047				
5	5.037-151.0	Clamp	2.000	ST		



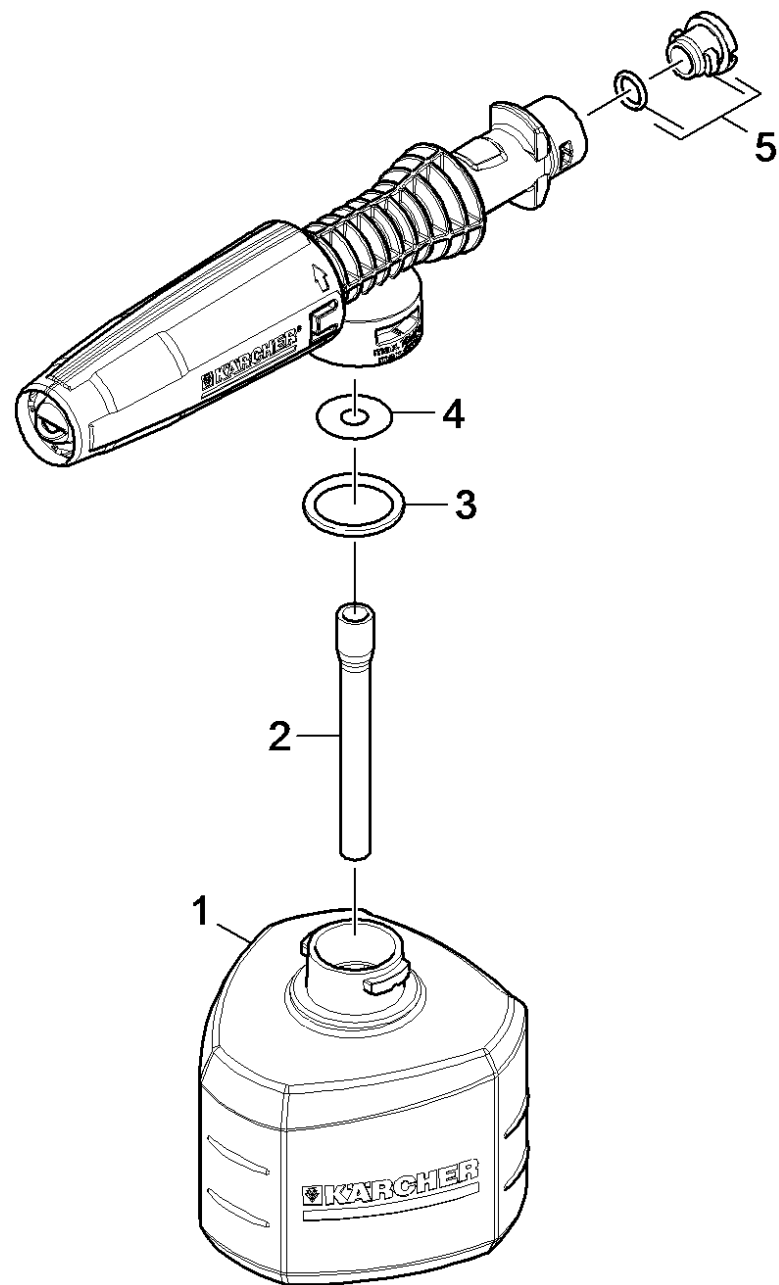
T 50, T 70, T 80, T 100 T 150, T 200, T 250, T 300, T 400, T 450, T 550	K 2 - K 5		
	K 6 - K 7		
T 400, T 450 T 550			
T 200, T 250	K 6 - K 7		
T 350 Gas			

	K 3 - K 5	
	K 6 - K 7	

	K 2	
	K 3 - K 5	

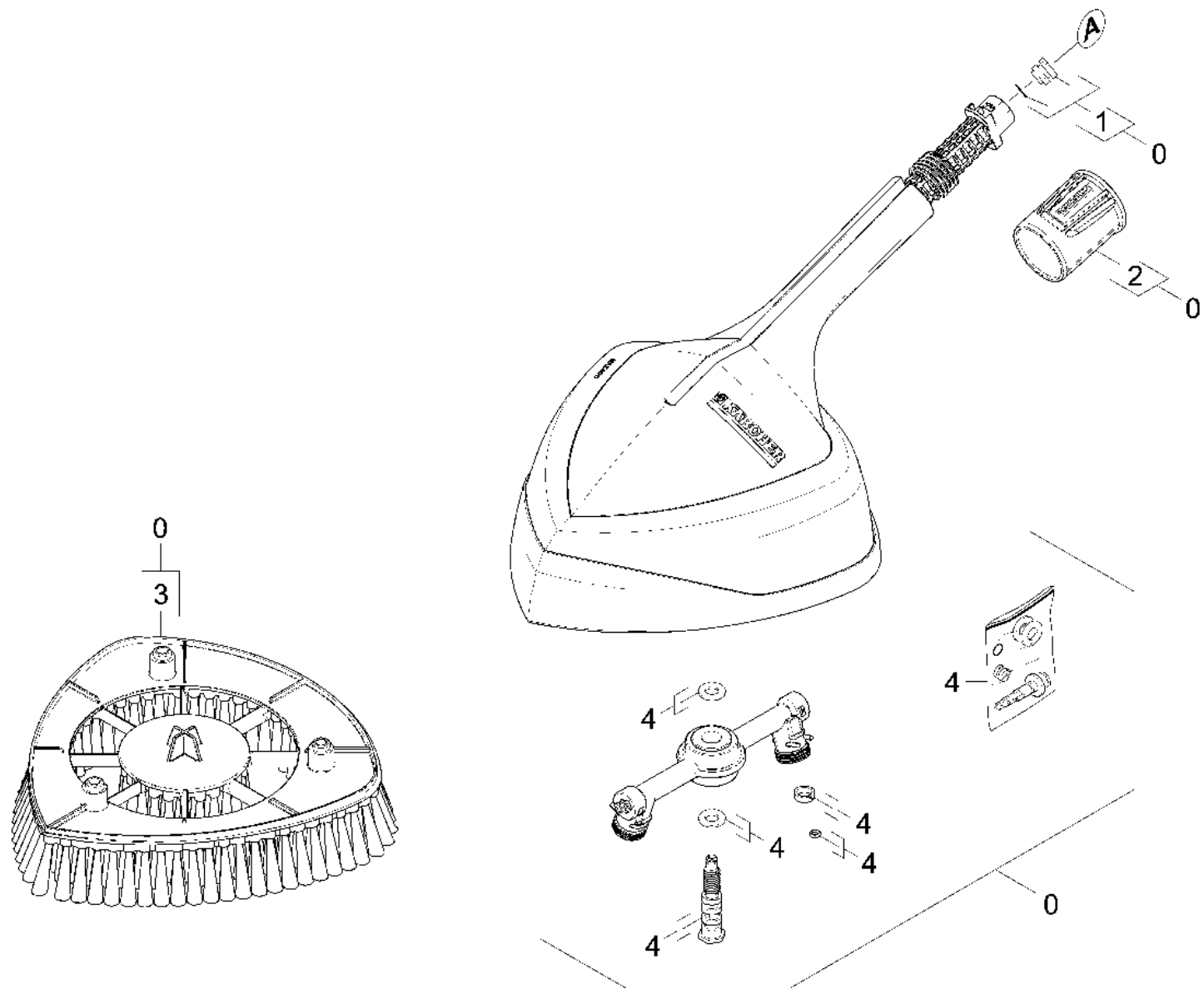
5 Spare parts nozzles T-Racer (2.643-338.0)

POS	Article no.	Description	Quantity	Unit	Remark	Foot note text
1	4.764-155.0	Nozzle complete 15015	1.000	ST	<13 MPa (<130 bar)	GREY
		Item text1: 015				
2	4.764-156.0	Nozzle complete 15020	1.000	ST	13 MPa (130 bar) - 16 MPa (160 bar)	YELLOW
		Item text1: 020				
3		Nozzle complete 15027	1.000	ST		BLACK
		Item text1: 027				
4	4.764-190.0	Nozzle kpl. 75047	1.000	ST		GREEN
		Item text1: 047				
5	5.037-151.0	Clamp	2.000	ST		



45 Foam nozzle

POS	Article no.	Description	Quantity	Unit	Foot note text
1	5.071-203.0	Tank cleaning agents 0,3 l	1.000	ST	
2	6.388-216.0	Hose DN 5	1.000	M	TO ORDER AS CUT GOODS
3	6.362-874.0	O-Ring seal 21x3 - NBR 70	1.000	ST	
4	5.367-026.0	Diaphragm	1.000	ST	
5	2.640-729.0	O-Ring seal set	1.000	ST	



46 Power Brush

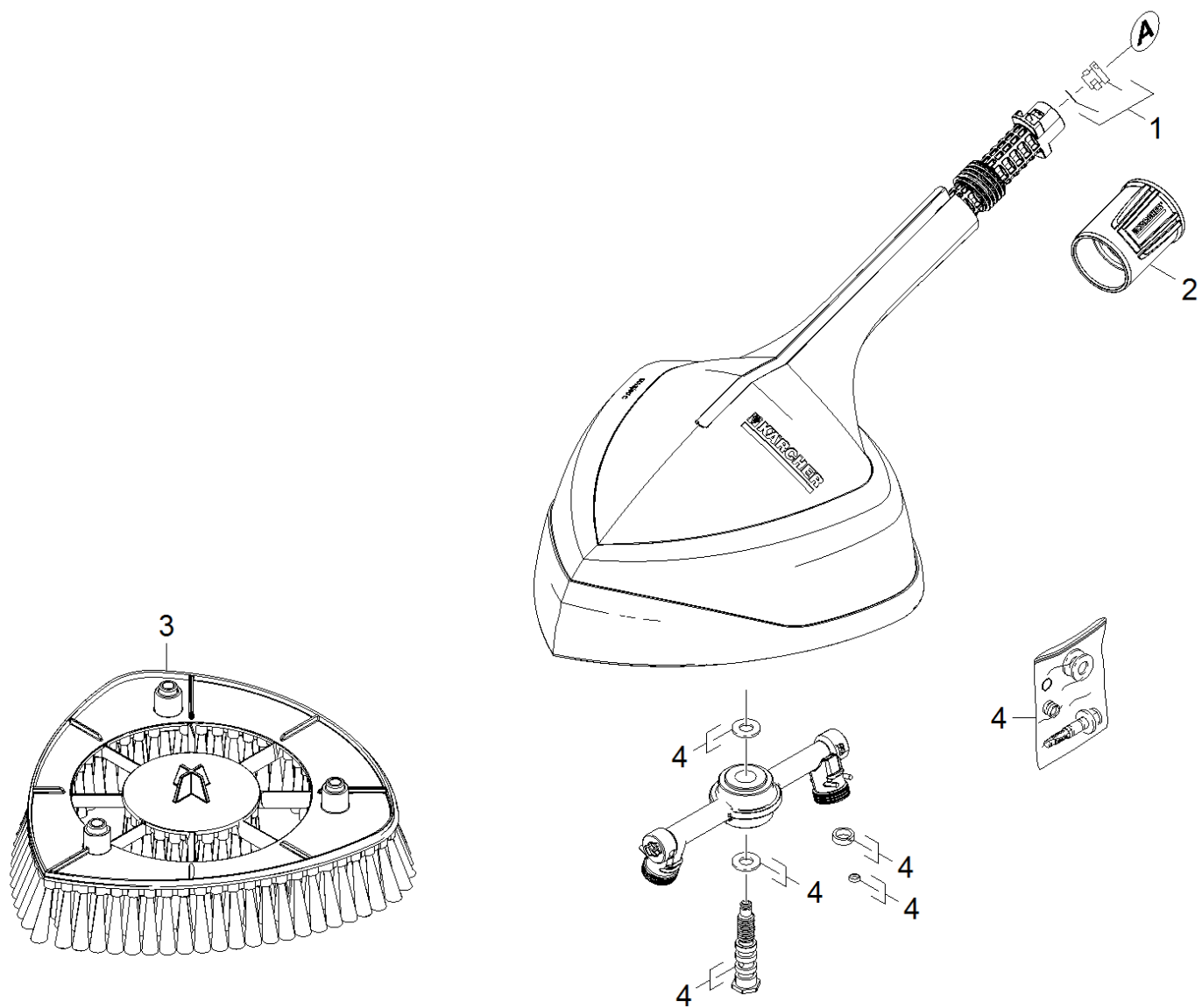
POS	Article no.	Description	Quantity	Unit
0	2.641-812.0	Power Brush	1.000	ST
1	2.640-729.0	O-Ring seal set	1.000	ST
2	5.310-160.0	Nut Kaercher	1.000	ST
3	5.762-404.0	Brush beam Power-Brush	1.000	ST
4	2.883-994.0	Spare part set set of gaskets neutrally	1.000	ST

Power Brush (2.641-812.0)

POS	Article no.	Description	Quantity	Unit
100	5.962-931.0	Spare parts list Power-Brush D 150	1.000	ST

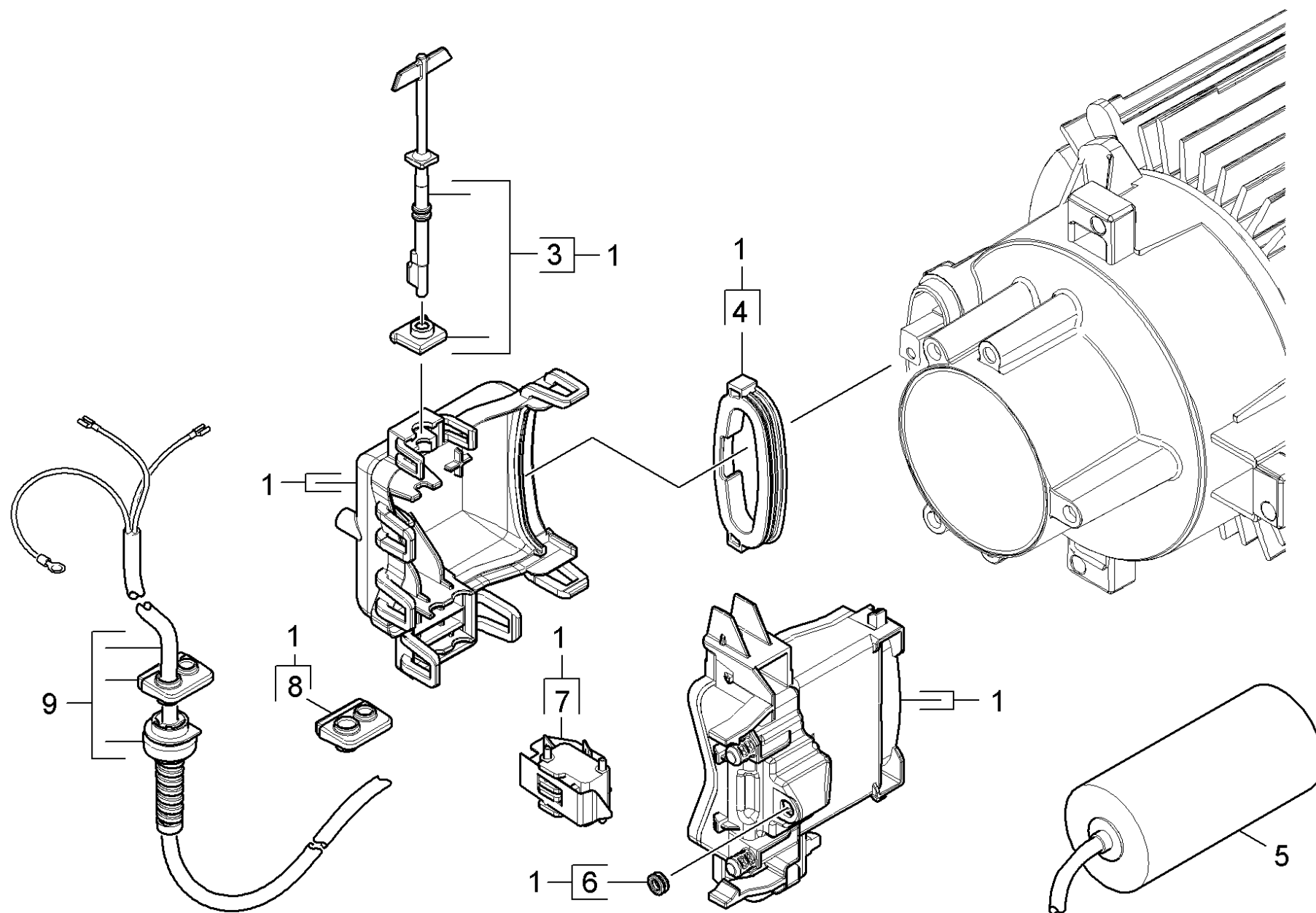
100 Spare parts list Power-Brush D 150 (5.962-931.0)

POS	Description	Quantity	Unit
10	Surface cleaner	1.000	ST



10 Surface cleaner

POS	Article no.	Description	Quantity	Unit
1	2.640-729.0	O-Ring seal set	1.000	ST
2	5.310-160.0	Nut Kaercher	1.000	ST
3	5.762-404.0	Brush beam Power-Brush	1.000	ST
4	2.883-994.0	Spare part set set of gaskets neutrally	1.000	ST



50 Electric box

POS	Article no.	Description	Quantity	Unit
1	2.885-189.0	Spare parts set electric box	1.000	ST
3	2.885-190.0	Selector shaft spare parts set	1.000	ST
4	5.363-761.0	Seal label	1.000	ST
5	6.661-288.0	Capacitor 40 µF mit Kabel (K6/7)	1.000	ST
6	5.363-749.0	Seal control piston	1.000	ST
7	6.961-000.0	Micro switch	1.000	ST
8	5.363-744.0	Seal cable	1.000	ST
9	6.649-894.0	Cable with plug *GB	1.000	ST
	Item text1: 1.168-504.0			
9	6.649-740.0	Cable with plug *EU	1.000	ST
	Item text1: 1.168-500.0 /-501.0 /-502.0 /-503.0			
	Item text2: /-505.0 /-506.0			