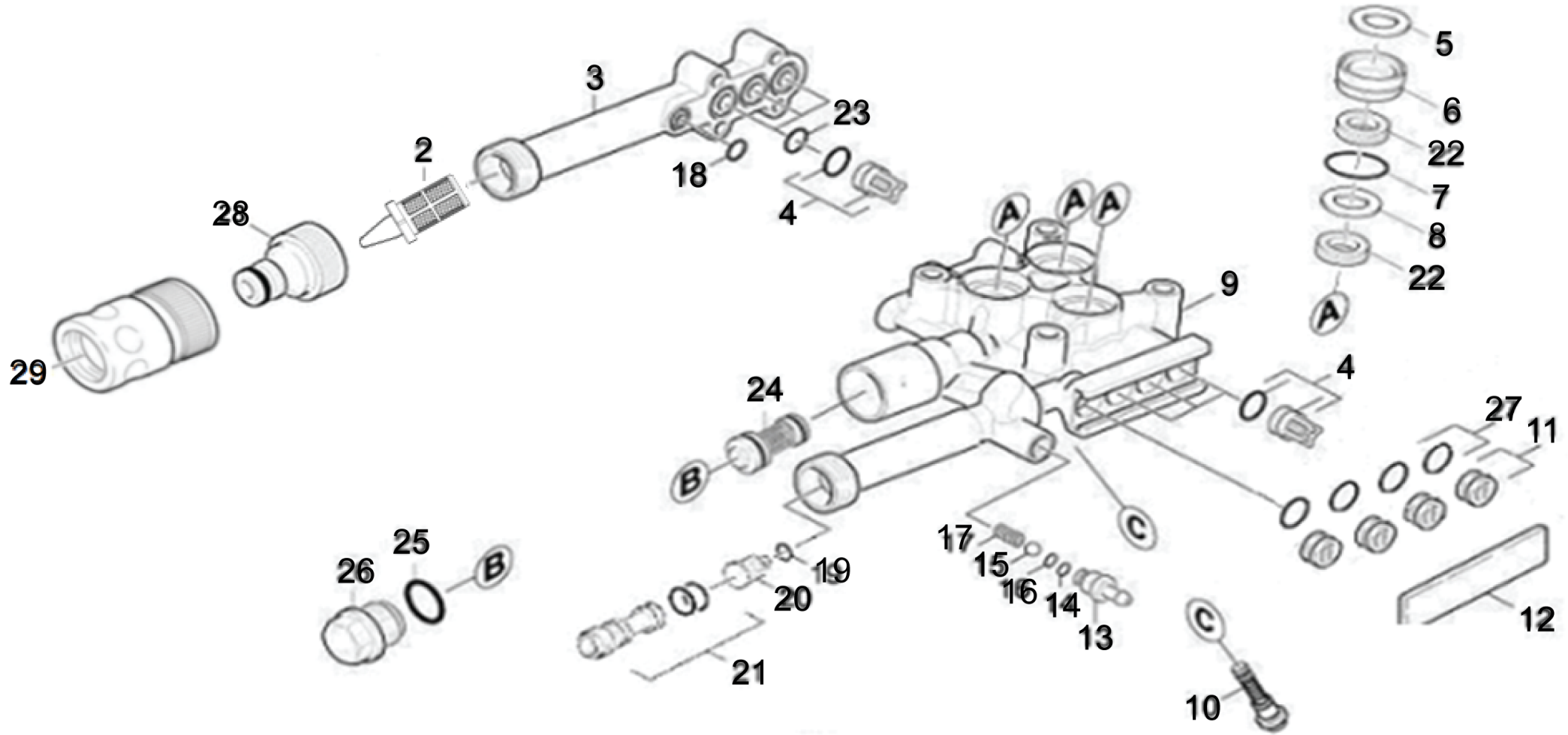


# 20 Pump

Professional \ High pressure cleaner cold water \ Electric motor \ HD 6/15 C \*BO \ Pump



## 20 Pump

Professional \ High pressure cleaner cold water \ Electric motor \ HD 6/15 C \*BO \ Pump



POS	Article no.	Description	Quantity	Unit	Foot note text
2	5.731-004.0	Fine filter short (2015/17)	1.000	ST	
3	5.064-150.0	Suction cover	1.000	ST	
4	4.580-254.0	VALVE COMPLETE	6.000	ST	
5	5.116-093.0	Washer	3.000	ST	
6	5.112-726.0	Bush	3.000	ST	
7	6.362-376.0	O-Ring seal 24,0 X 1,5	3.000	ST	
8	5.115-721.0	Washer	3.000	ST	
9	9.369-259.0	CYLINDER HEAD	1.000	ST	
10	2.884-501.0	Spare part set control piston	1.000	ST	
11	5.132-100.0	Drain plug	4.000	ST	
12	5.003-062.0	Plate	1.000	ST	
13	5.443-355.0	Nipple	1.000	ST	
14	6.362-113.0	O-Ring seal 6,0 x 2,0 NBR 70	1.000	ST	
15	7.401-908.0	Sphere 7 G300 -1.4301 DIN 5401	1.000	ST	
16	6.362-175.0	O-Ring seal 5,28x 1,78	1.000	ST	
17	5.332-258.0	Helical spring	1.000	ST	
18	6.362-384.0	O-Ring seal 9x1,5 - NBR 70	1.000	ST	
19	6.362-851.0	O-Ring seal 4 x 2 NBR 90	1.000	ST	
20	5.584-091.0	Valve pin check valve	1.000	ST	
21	4.769-034.0	Nozzle insert only for replacement	1.000	ST	
22	6.365-477.0	Grooved ring 12x20x5,3/2,8	6.000	ST	
23	6.362-533.0	O-Ring seal 14,0 X 1,5-NBR 70	3.000	ST	
24	4.591-038.0	Overflow valve	1.000	ST	
25	6.362-989.0	O-Ring seal 18x2 - NBR 80	1.000	ST	
26	5.411-172.0	Screw plug	1.000	ST	
27	6.362-458.0	O-Ring seal 11,0x2,0-NBR 70	4.000	ST	
28	9.389-081.0	TAP CONNECTOR 3/4 BLACK	1.000	ST	
28	9.303-225.0	TAP CONNECTOR 3/4" BLACK (Replacem.)	1.000	ST	NOT AVAILABLE AT CENTRAL WAREHOUSE
29	9.389-078.0	QUICK CONNECTOR Ø1/2"YELLOW	1.000	ST	
29	9.303-224.0	QUICK CONNECTOR 1/2 YELLOW (Replacem.)	1.000	ST	NOT AVAILABLE AT CENTRAL WAREHOUSE
100		Cylinder head complete	1.000	ST	