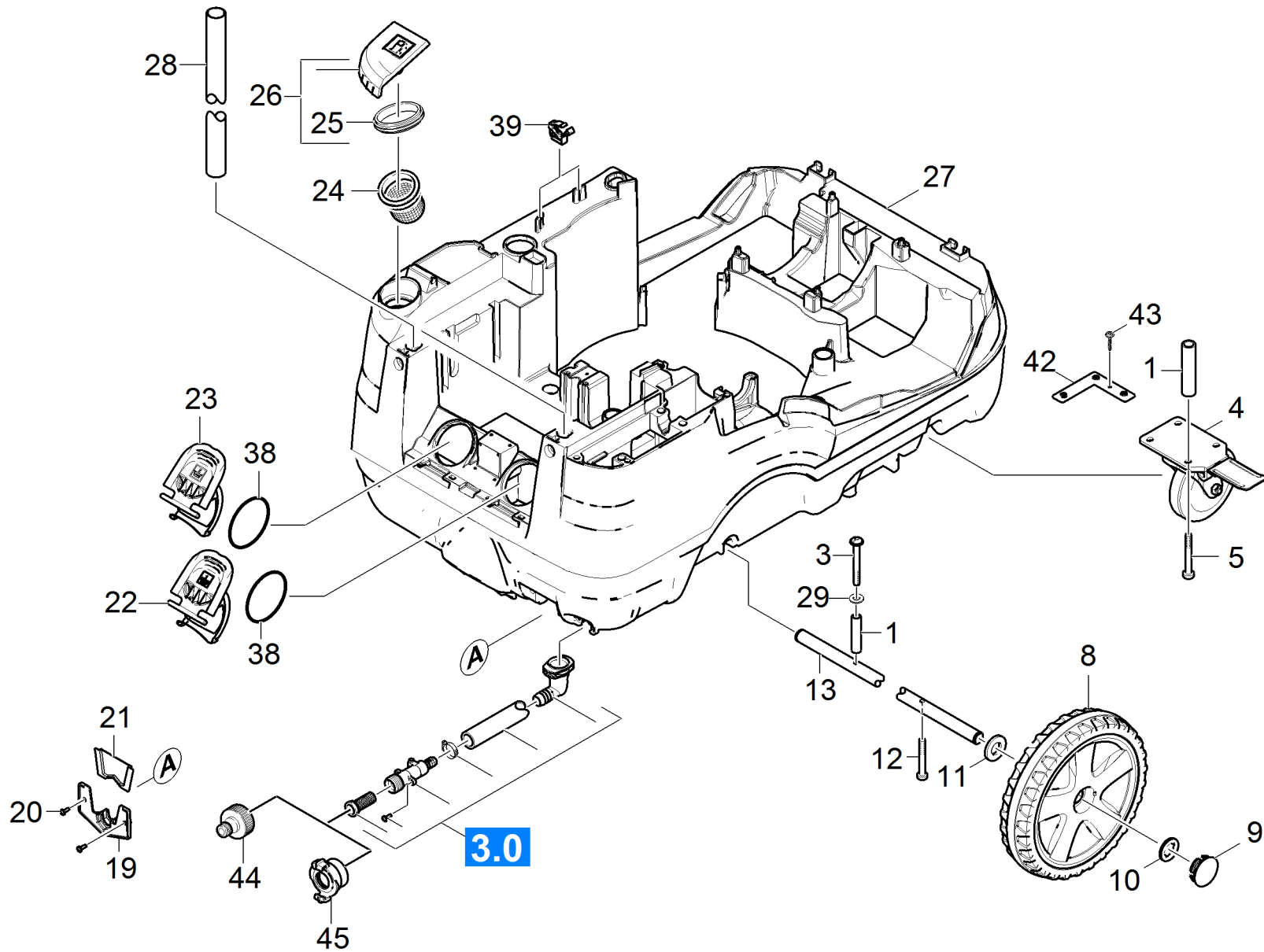


12 Housing bottom part

Professional \ High pressure cleaner hotwater \ Electric motor \ HDS 10/20-4 M *EU-I \ HDS 10/20-4 M *EU-I TV 01.01.2018 \ Housing \ Housing bottom part



12 Housing bottom part

Professional \ High pressure cleaner hotwater \ Electric motor \ HDS 10/20-4 M *EU-I \ HDS 10/20-4 M *EU-I TV 01.01.2018 \ Housing \ Housing bottom part



POS	Article no.	Description	Quantity	Unit	Foot note text
13	5.105-652.0	Axle	1.000	ST	
4	6.435-747.0	Castor	1.000	ST	
23	5.064-221.0	Cover chemistry 1	1.000	ST	
22	5.064-231.0	Cover chemistry 2	1.000	ST	
26	4.064-013.0	Cover fuel complete	1.000	ST	
24	5.731-039.0	Filter	1.000	ST	
42	5.424-137.0	Fixing castor	1.000	ST	
27	4.051-109.0	Frame neue M-Klasse Ersatz	1.000	ST	
39	5.802-306.0	Holder cable	2.000	ST	
45	6.388-458.0	Hose coupling	1.000	ST	
25	5.363-300.0	Joint ring	1.000	ST	
10	6.343-162.0	Lock washer -25	2.000	ST	
38	6.363-443.0	O-Ring seal 75x5	2.000	ST	
43	7.303-107.0	Screw 5x16 -10.9-P2R (K-In6Rd)	1.000	ST	
20	7.303-086.0	Screw 5x30 -10.9-R2R (K-In6Rd)	2.000	ST	
12	7.303-236.0	Screw M 8x60-St-A3E (IN6RD)	1.000	ST	
3	7.303-236.0	Screw M 8x60-St-A3E (IN6RD)	1.000	ST	
5	7.303-237.0	Screw M 8x70-St-A3K (IN6RD)	3.000	ST	
44	2.640-492.0	Set water connection 1 "	1.000	ST	
9	2.889-086.0	Set wheel cap	1.000	ST	SET OF 2 PIECES
1	5.111-065.0	Spacer sleeve	4.000	ST	
19	5.263-087.0	Tensioning part	1.000	ST	
21	5.263-088.0	Tensioning part	1.000	ST	
28	5.027-292.0	Tube handhold	2.000	ST	
29	7.312-277.0	Washer 8-200HV-A2E ISO7093-1	1.000	ST	
11	7.312-060.0	Washer 24-100HV-A3E ISO 7091	2.000	ST	
8	4.515-345.0	Wheel complete	2.000	ST	