

Spare parts list

(1.151-614.0) HD 7/18 C Plus *EU-I

Table of contents

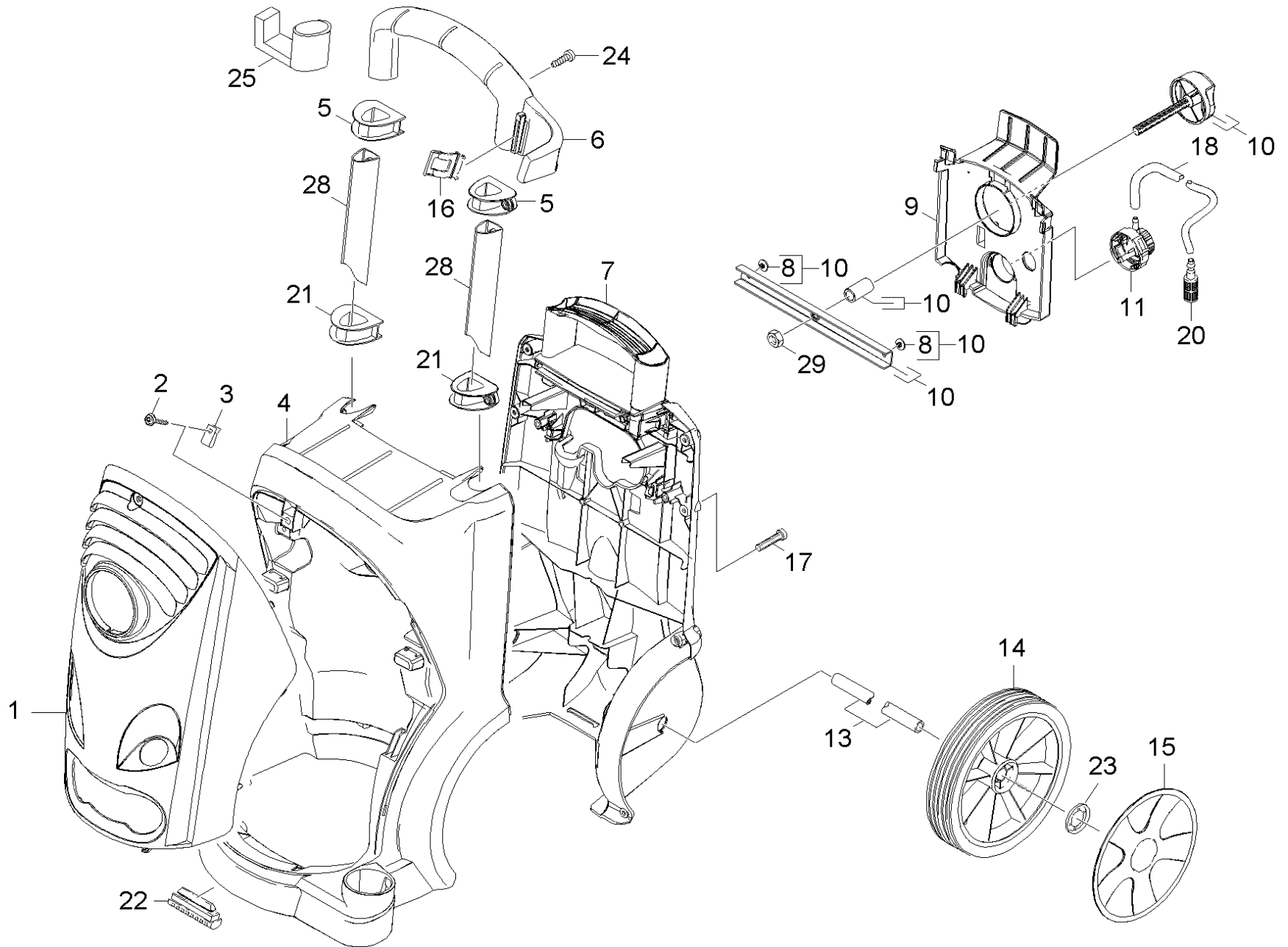
HD 7/18 C Plus *EU-I (1.151-614.0)	3
Spare parts list HD 7/18 C PLUS *EU (5.972-103.0)	4
10 Housing	5
20 Pump set	7
21 Cylinder head	8
8 Valve (3 Stück) (2.884-916.0)	11
11 Drain plug only for replacement (4.132-007.0)	13
17 SPARE PARTS SET (2.883-988.0)	15
21 Valve pin complete (4.584-022.0)	17
23 Nozzle insert only for replacement (4.769-034.0)	19
25 Spare part set (2.884-551.0)	21
26 Spare part set overflow valve (2.884-550.0)	22
30 Valve seat complete (4.481-226.0)	23
100 Pump set HD 7/18C (2.885-017.0)	25
1 Valve (3 Stück) (2.884-916.0)	26
7 Drain plug only for replacement (4.132-007.0)	28
22 Thrust guidance	30
30 Motor	32
40 Accessories	34
41 Hand trigger gun	35
1 HAND TRIGGER GUN EASY PRESS (4.775-463.0)	37
9002 Lever complete (4.481-209.0)	39
4 Lever complete (4.481-209.0)	41
42 Rotary controller	43
43 High pressure hose	45
44 Jet pipe	47
1 Jet pipe packaged only for replacement (4.760-663.0)	49
45 Triple jet nozzle	51
Triple jet nozzle only for replacement 0 (4.767-150.0)	53
1 Triple jet nozzle 040 (4.767-136.0)	54
46 Dirt blaster	56
1 Dirt blaster 040 (4.767-023.0)	58
50 Electric box	59

HD 7/18 C Plus *EU-I (1.151-614.0)

POS	Article no.	Description	Quantity	Unit
0	5.972-103.0	Spare parts list HD 7/18 C PLUS *EU	1	PC
Item text2: 3F0D334724350069E1000000C34F56CF15142010				

Spare parts list HD 7/18 C PLUS *EU (5.972-103.0)

POS	Description	Quantity	Unit
10	Housing	1	PC
20	Pump set	1	PC
30	Motor	1	PC
40	Accessories	1	PC
50	Electric box	1	PC

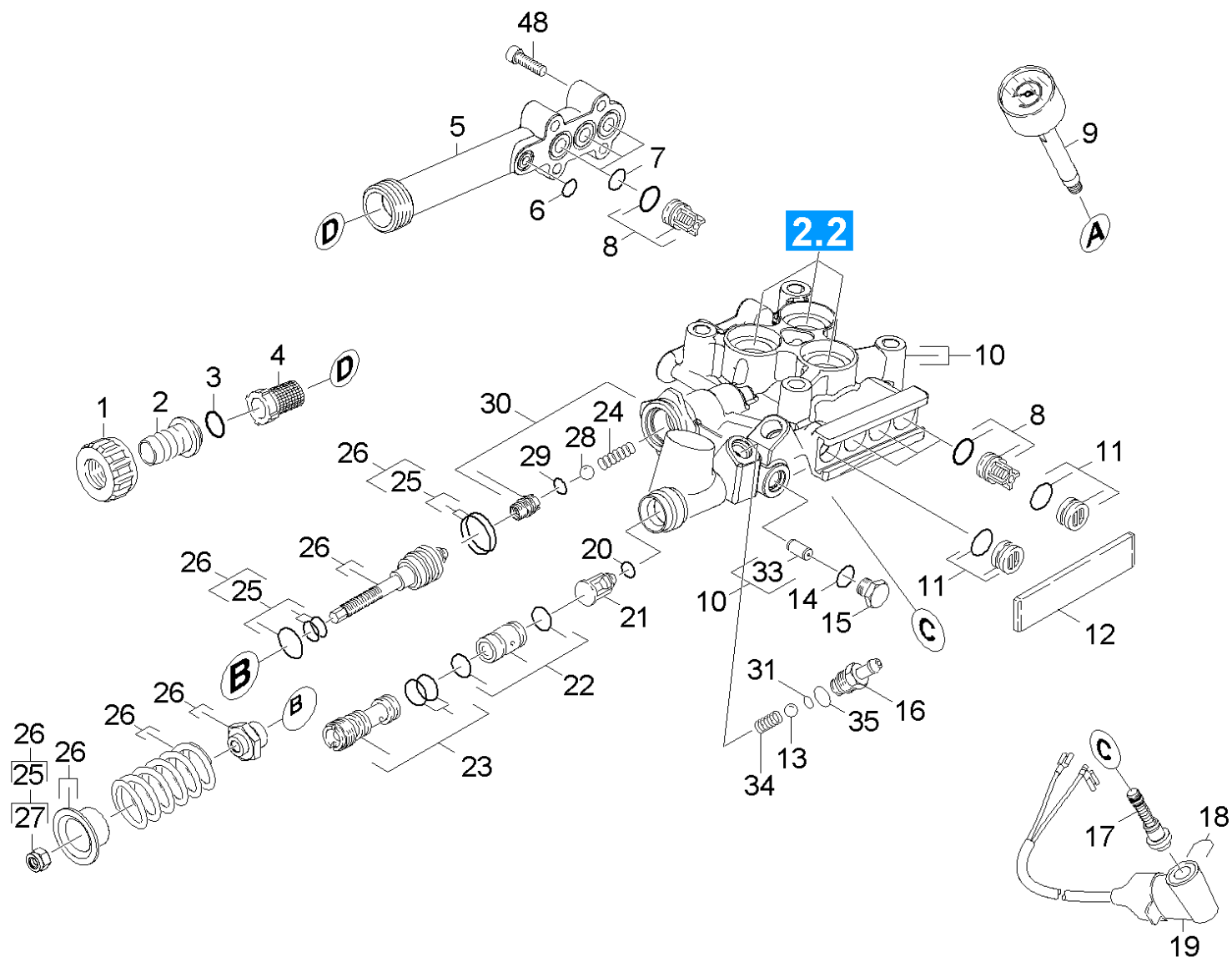


10 Housing

POS	Article no.	Description	Quantity	Unit	Foot note text
10	2.885-007.0	Spare part set Griff	1	PC	
11	4.063-778.0	Proportioning valve chemistry	1	PC	
15	4.515-323.0	Spare parts set wheel cap basalt grey RA	1	PC	SET OF 2 PIECES
5	5.032-554.0	Guide	2	PC	
21	5.032-555.0	Guide	2	PC	
9	5.032-556.0	Covering cap	1	PC	
25	5.037-170.0	Hook	1	PC	
16	5.044-216.0	Holder	1	PC	
4	5.050-206.3	Frame front part	1	PC	
7	5.050-207.3	Frame rear panel for replacement	1	PC	
22	5.057-062.0	Support	2	PC	
1	5.069-443.0	Device cover basalt grey only for replac	1	PC	
13	5.105-399.0	Axle	1	PC	
28	5.107-248.0	Bar shearing shackle	2	PC	
6	5.321-721.0	Hand grip	1	PC	
20	5.731-652.0	Filter with weight	1	PC	
2	6.304-099.0	Saucer-head screw M 6x 18-4.8-R2R	1	PC	
3	6.310-053.0	Putting nut	1	PC	
8	6.315-086.0	Rivet	2	PC	
23	6.343-168.0	Lock washer	2	PC	
18	6.388-216.0	Hose DN 5	1	m	TO ORDER AS CUT GOODS
14	6.435-662.0	Wheel D200	2	PC	
24	7.303-046.0	Screw M6x12 -St-R3R (In6Rd)	2	PC	
17	7.303-108.0	Screw 5x20 -10.9-R2R (In6Rd)	10	PC	
29	7.311-088.0	Hexagon nut M10-8-A2K EN 1664	1	PC	
19	7.312-260.0	Washer 6 -100HV-A3E ISO 7094	1	PC	

20 Pump set

POS	Description	Quantity	Unit
21	Cylinder head	1	PC
22	Thrust guidance	1	PC

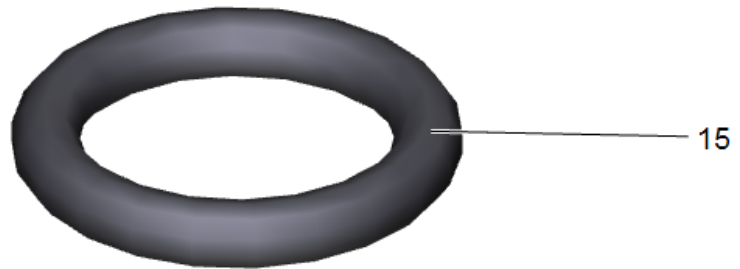
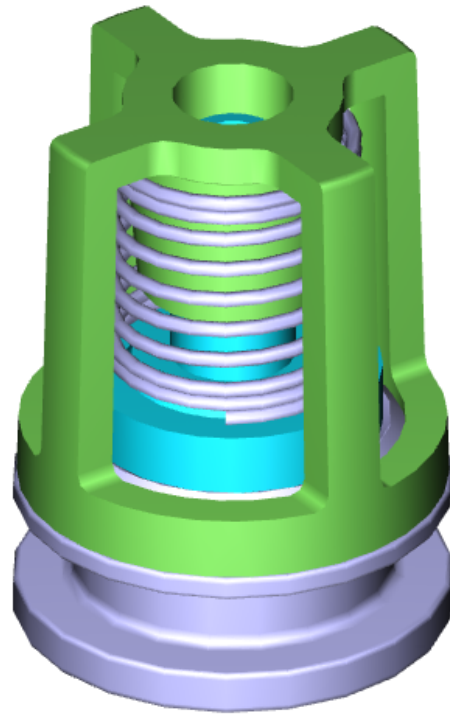


21 Cylinder head

POS	Article no.	Description	Quantity	Unit
17	2.883-988.0	SPARE PARTS SET	1	PC
26	2.884-550.0	Spare part set overflow valve	1	PC
25	2.884-551.0	Spare part set	1	PC
22	2.884-853.0	Spare part set nozzle insert	1	PC
8	2.884-916.0	Valve (3 Stück)	2	PC
100	2.885-017.0	Pump set HD 7/18C	1	PC
11	4.132-007.0	Drain plug only for replacement	4	PC
30	4.481-226.0	Valve seat complete	1	PC
10	4.550-836.0	Cylinder head only for replacement	1	PC
21	4.584-022.0	Valve pin complete	1	PC
19	4.744-201.0	Switch complete	1	PC
23	4.769-034.0	Nozzle insert only for replacement	1	PC
12	5.003-062.0	Plate	1	PC
18	5.034-494.0	Retaining bracket	1	PC
5	5.064-150.0	Suction cover	1	PC
33	5.111-046.0	Sleeve cylinder head	1	PC
1	5.310-065.0	Nut	1	PC
34	5.332-258.0	Helical spring	1	PC
24	5.332-999.0	Helical spring	1	PC
15	5.411-070.0	Screw plug	1	PC
2	5.443-229.0	Hose stem	1	PC
16	5.443-624.0	Nipple	1	PC
3	6.362-078.0	O-Ring seal 13,3x2,4	1	PC
35	6.362-113.0	O-Ring seal 6,0 x 2,0 NBR 70	1	PC
6	6.362-384.0	O-Ring seal 9x1,5 - NBR 70	1	PC
7	6.362-533.0	O-Ring seal 14,0 X 1,5-NBR 70	3	PC
14	6.362-642.0	O-Ring d. 7,65x1,78 -NBR 80	1	PC
29	6.362-858.0	O-Ring seal 11,0 X 1,5	1	PC
31	6.363-597.0	O-Ring seal 5,28 x 1,78	1	PC
20	6.363-613.0	O-Ring seal 4 x 2 -NBR90	1	PC
4	6.414-252.0	Strainer	1	PC
9	6.421-349.3	Pressure gauge 0-30 MPa	1	PC
48	7.306-105.0	Screw M6x30 -8.8-R3R (In6Rd)	4	PC

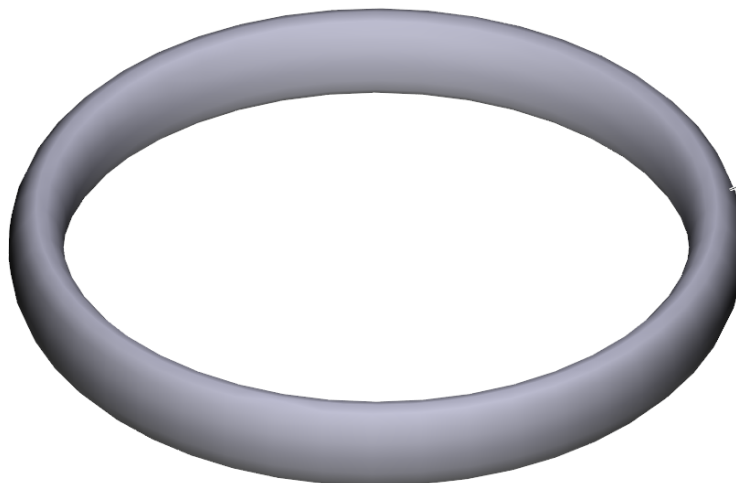
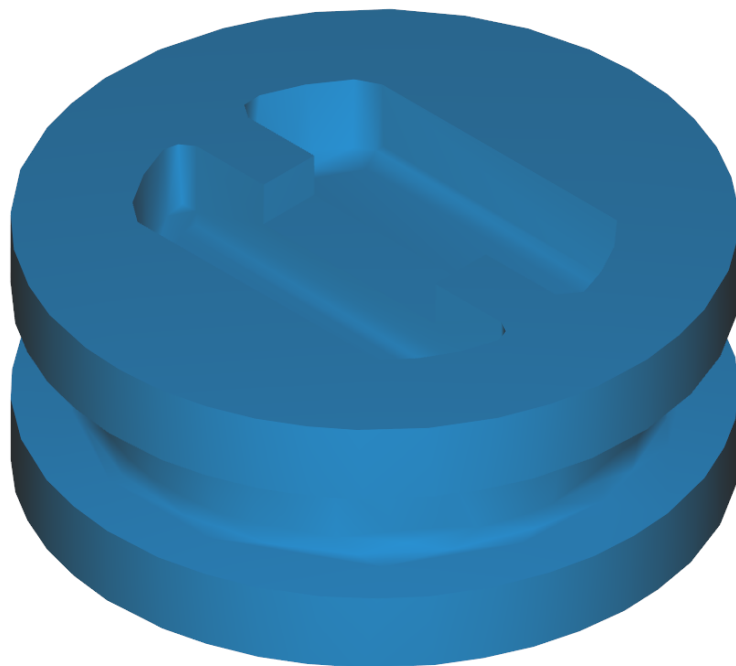
21 Cylinder head

POS	Article no.	Description	Quantity	Unit
27	7.311-510.0	Hexagon nut M 8-8-A2E ISO 7040	1	PC
28	7.401-907.0	Sphere 3/8 G200-1.4301 DIN 5401	1	PC
13	7.401-908.0	Sphere 7 G300 -1.4301 DIN 5401	1	PC



8 Valve (3 Stück) (2.884-916.0)

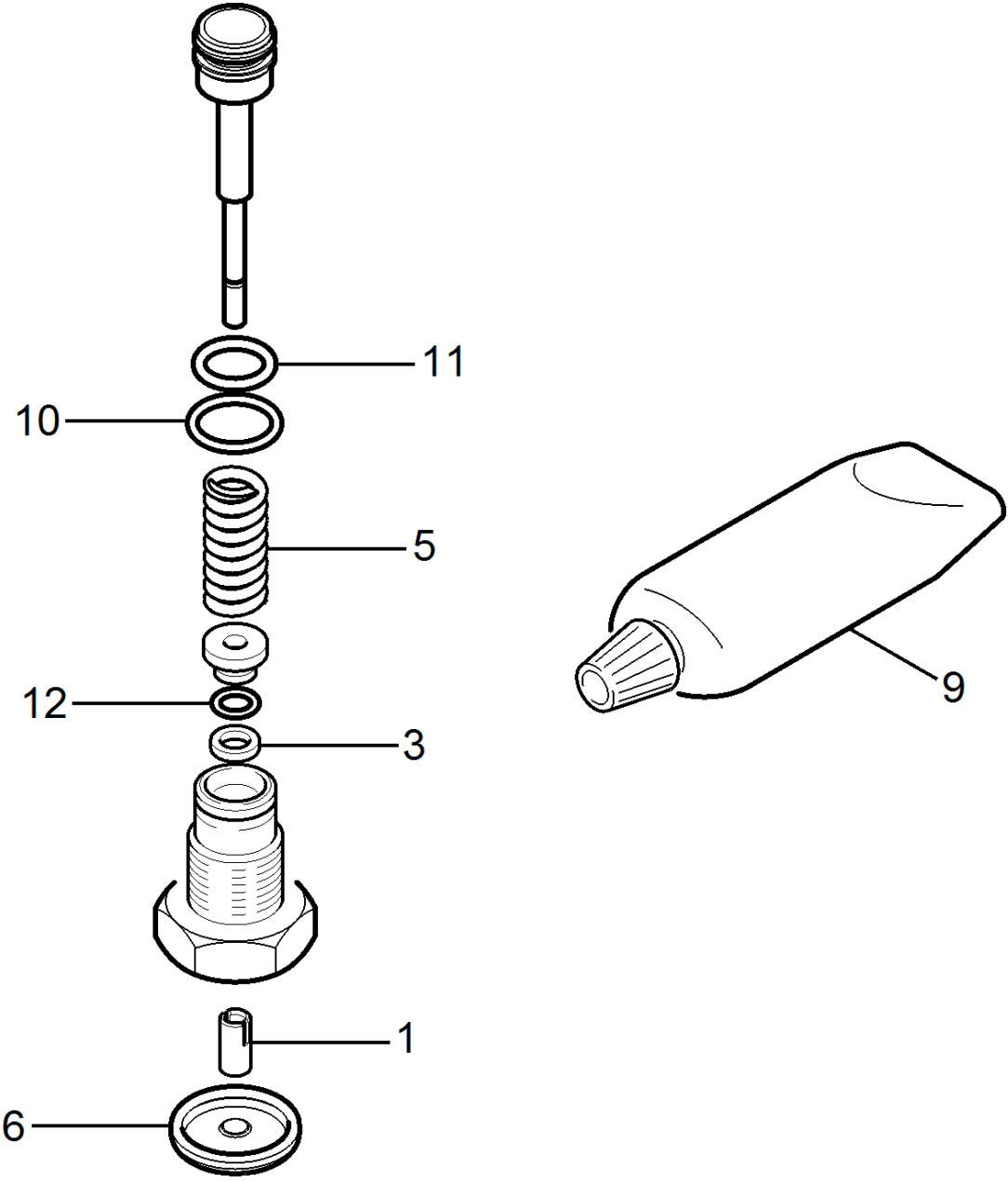
POS	Article no.	Description	Quantity	Unit
15	6.362-077.0	O-Ring seal 10 x 2,2 NBR 70	1	PC



18

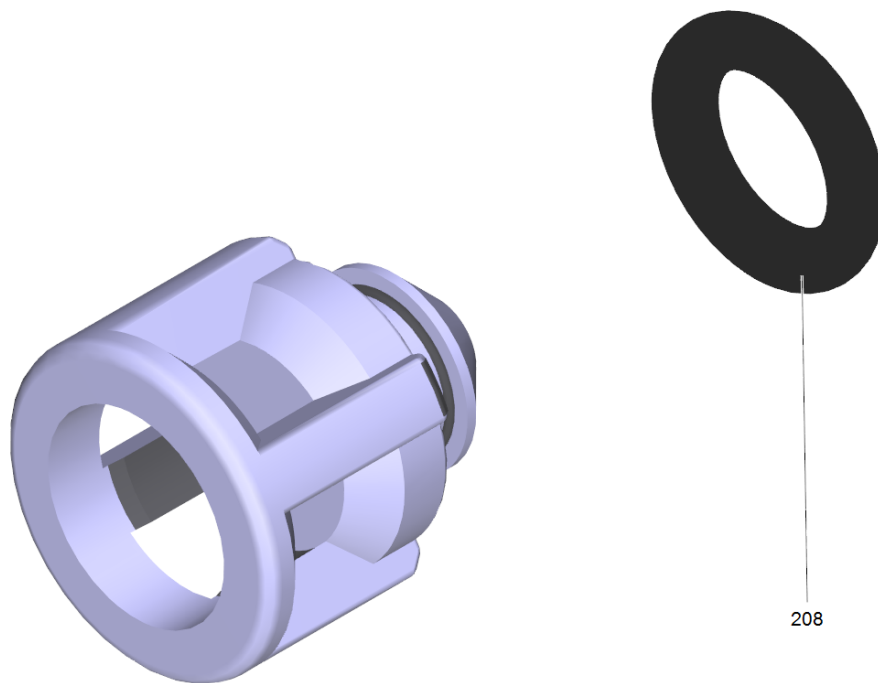
11 Drain plug only for replacement (4.132-007.0)

POS	Article no.	Description	Quantity	Unit
18	6.362-458.0	O-Ring seal 11,0x2,0-NBR 70	1	PC



17 SPARE PARTS SET (2.883-988.0)

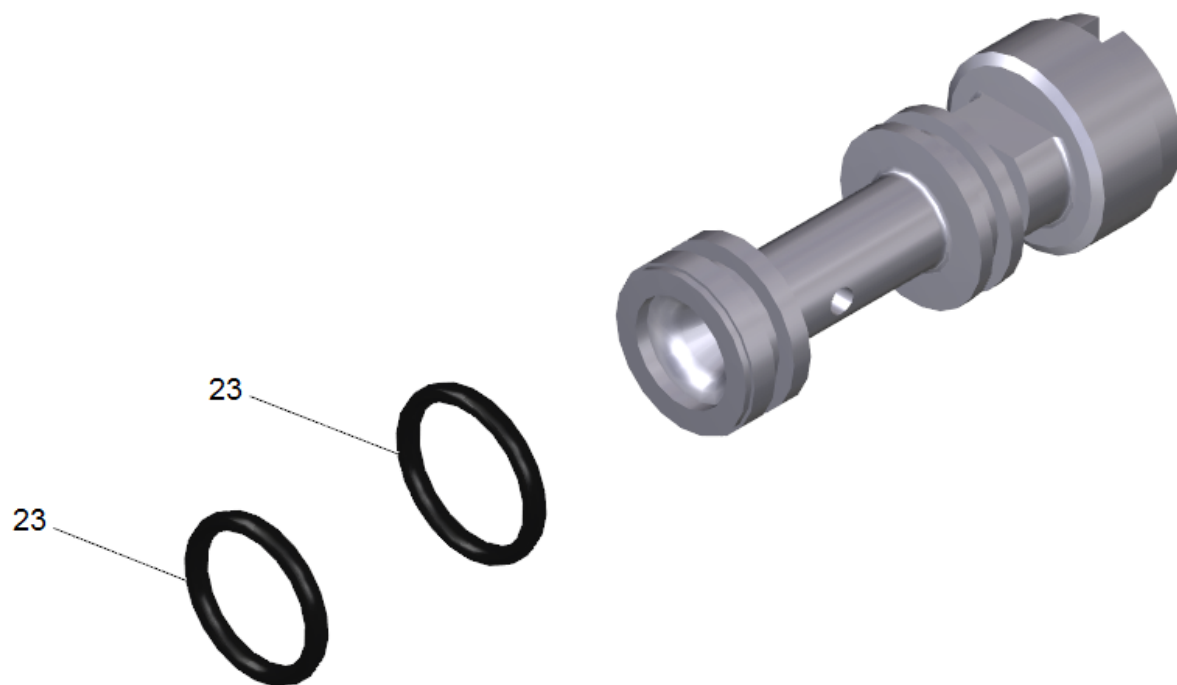
POS	Article no.	Description	Quantity	Unit
1	5.110-947.0	Sleeve	1	PC
3	5.114-513.0	Supportring	1	PC
5	5.332-511.0	Helical spring	1	PC
6	5.367-030.0	Diaphragm	1	PC
9	6.288-044.0	Silicon grease 100 G	1	PC
12	6.363-241.0	O-Ring seal 2,90x1,78	1	PC
11	6.363-611.0	O-Ring seal 8,73 x 1,78 -NBR	1	PC
10	6.363-615.0	O-Ring seal 11 x 1,5 -NBR70	1	PC



208

21 Valve pin complete (4.584-022.0)

POS	Article no.	Description	Quantity	Unit
208	6.363-613.0	O-Ring seal 4 x 2 -NBR90	1	PC



23 Nozzle insert only for replacement (4.769-034.0)

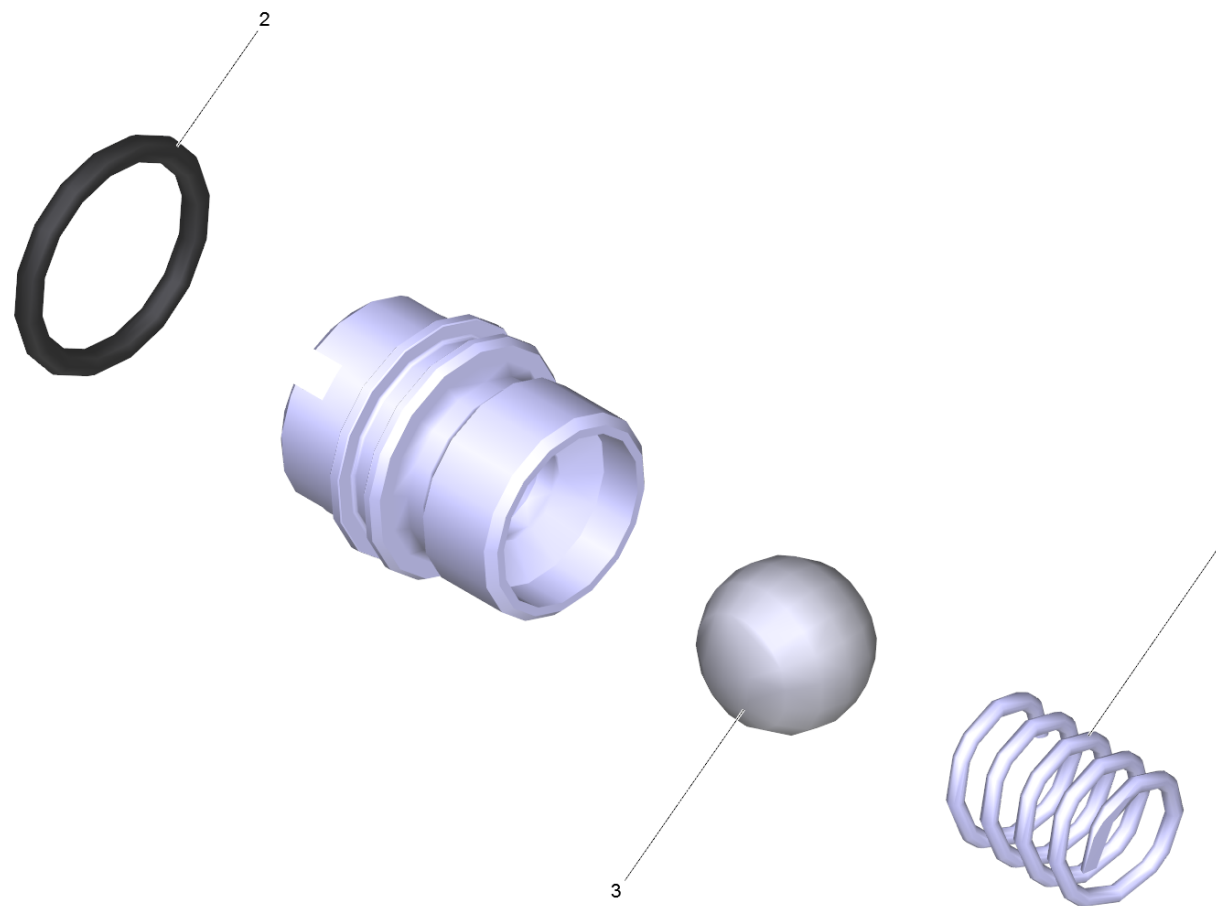
POS	Article no.	Description	Quantity	Unit
23	6.362-384.0	O-Ring seal 9x1,5 - NBR 70	2	PC

25 Spare part set (2.884-551.0)

POS	Article no.	Description	Quantity	Unit
44	6.362-365.0	O-Ring seal complete 1ST.-R.- 7,65X 1,7	1	PC
46	6.362-445.0	O-Ring seal 16,0 X 2,4-NBR 80	1	PC
47	6.362-575.0	O-Ring seal 12,42 KOMPL	1	PC
101	6.376-036.0	Label spare parts neutrally 65x55 MM	2	ZST
71	7.311-510.0	Hexagon nut M 8-8-A2E ISO 7040	1	PC

26 Spare part set overflow valve (2.884-550.0)

POS	Article no.	Description	Quantity	Unit
145		Grease	0,01	g
7	5.112-757.0	Bush	1	PC
16	5.332-530.0	Helical spring	1	PC
44	6.362-365.0	O-Ring seal complete 1ST.-R.- 7,65X 1,7	1	PC
46	6.362-445.0	O-Ring seal 16,0 X 2,4-NBR 80	1	PC
47	6.362-575.0	O-Ring seal 12,42 KOMPL	1	PC
151	6.376-036.0	Label spare parts neutrally 65x55 MM	2	ZST
71	7.311-510.0	Hexagon nut M 8-8-A2E ISO 7040	1	PC

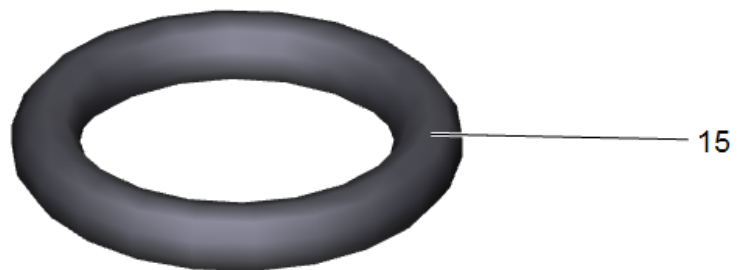
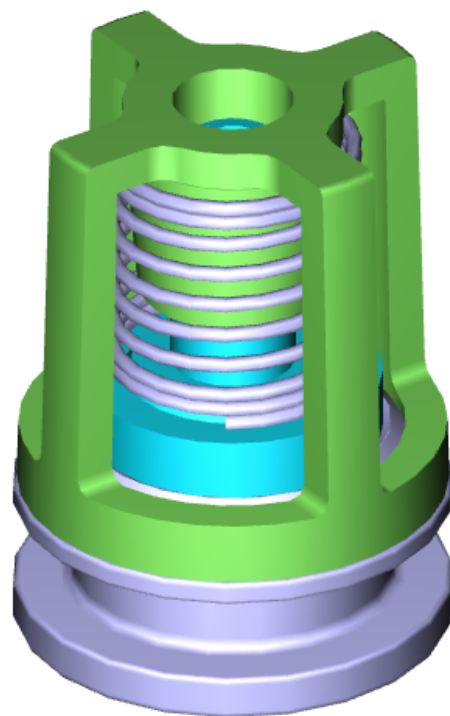


30 Valve seat complete (4.481-226.0)

POS	Article no.	Description	Quantity	Unit
4	5.332-999.0	Helical spring	1	PC
2	6.362-858.0	O-Ring seal 11,0 X 1,5	1	PC
3	7.401-907.0	Sphere 3/8 G200-1.4301 DIN 5401	1	PC

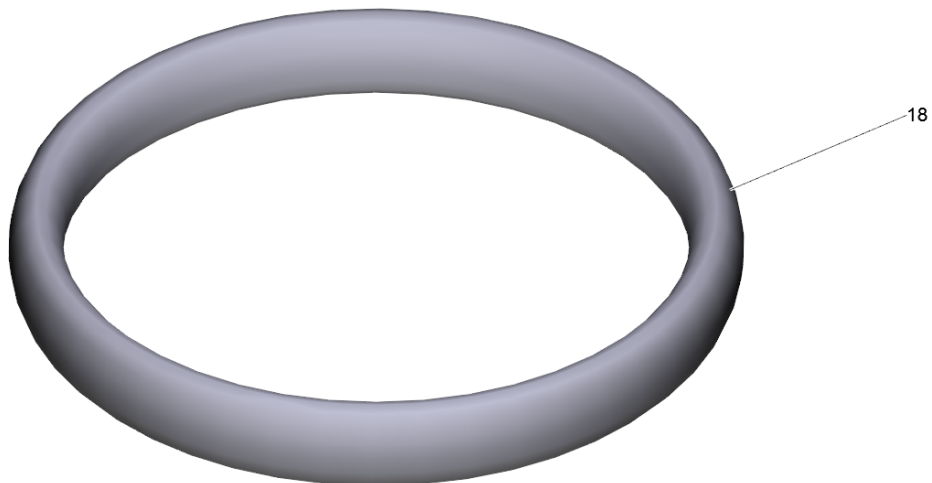
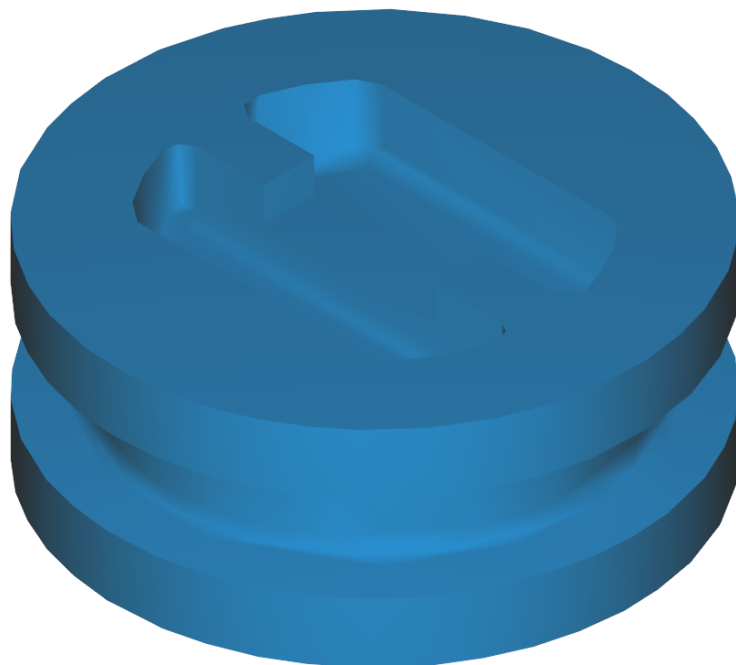
100 Pump set HD 7/18C (2.885-017.0)

POS	Article no.	Description	Quantity	Unit
1	2.884-916.0	Valve (3 Stück)	2	PC
7	4.132-007.0	Drain plug only for replacement	4	PC
9	5.112-576.3	Bush	3	PC
2	5.115-465.0	Washer	3	PC
3	5.115-744.0	Washer	3	PC
8	6.362-376.0	O-Ring seal 24,0 X 1,5	3	PC
4	6.362-384.0	O-Ring seal 9x1,5 - NBR 70	1	PC
5	6.365-340.0	Grooved ring 14X22X5/7	3	PC
6	6.365-432.0	Grooved ring 14x22x5.3	3	PC
10	6.365-434.0	Grooved ring 14x20x4	3	PC



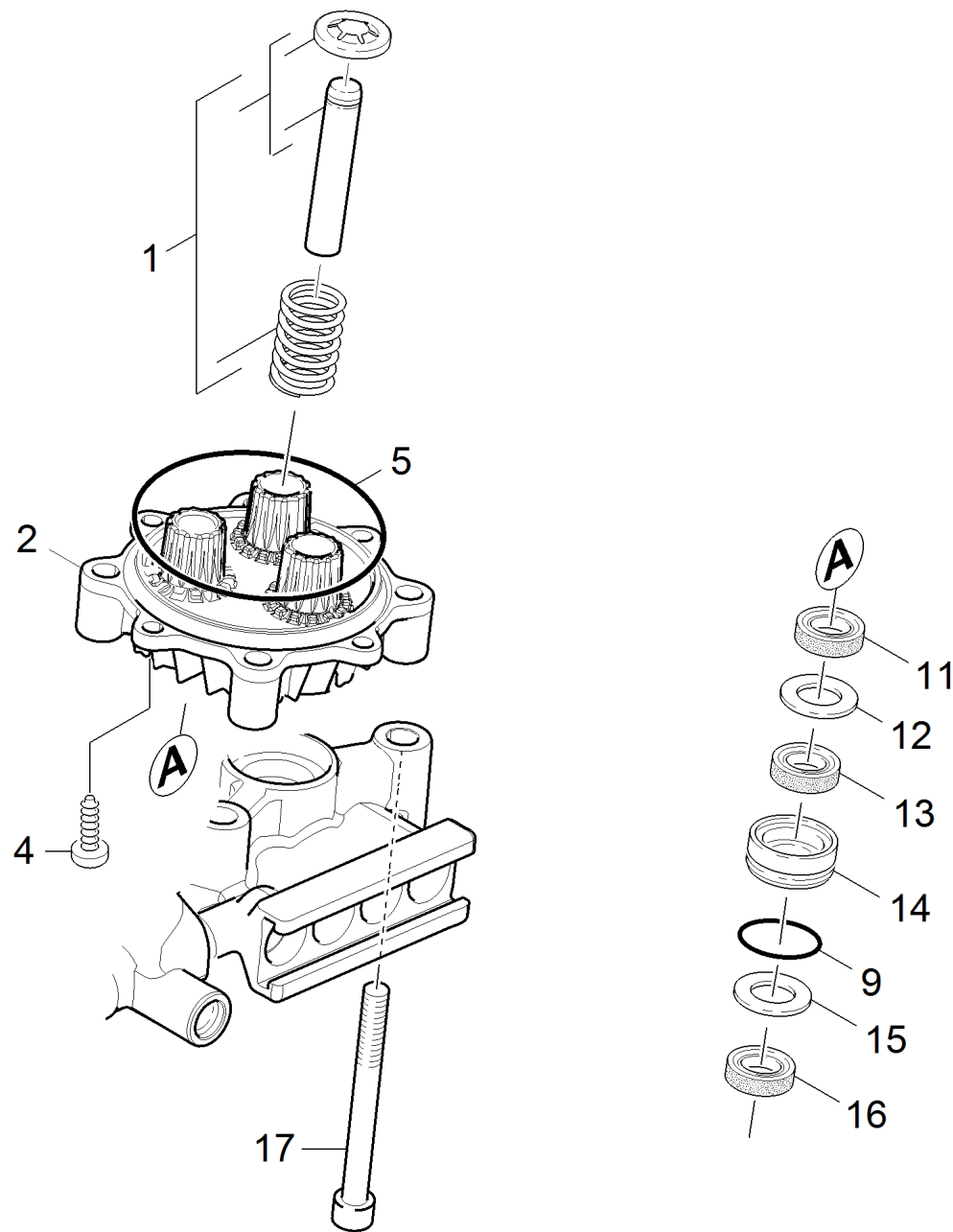
1 Valve (3 Stück) (2.884-916.0)

POS	Article no.	Description	Quantity	Unit
15	6.362-077.0	O-Ring seal 10 x 2,2 NBR 70	1	PC



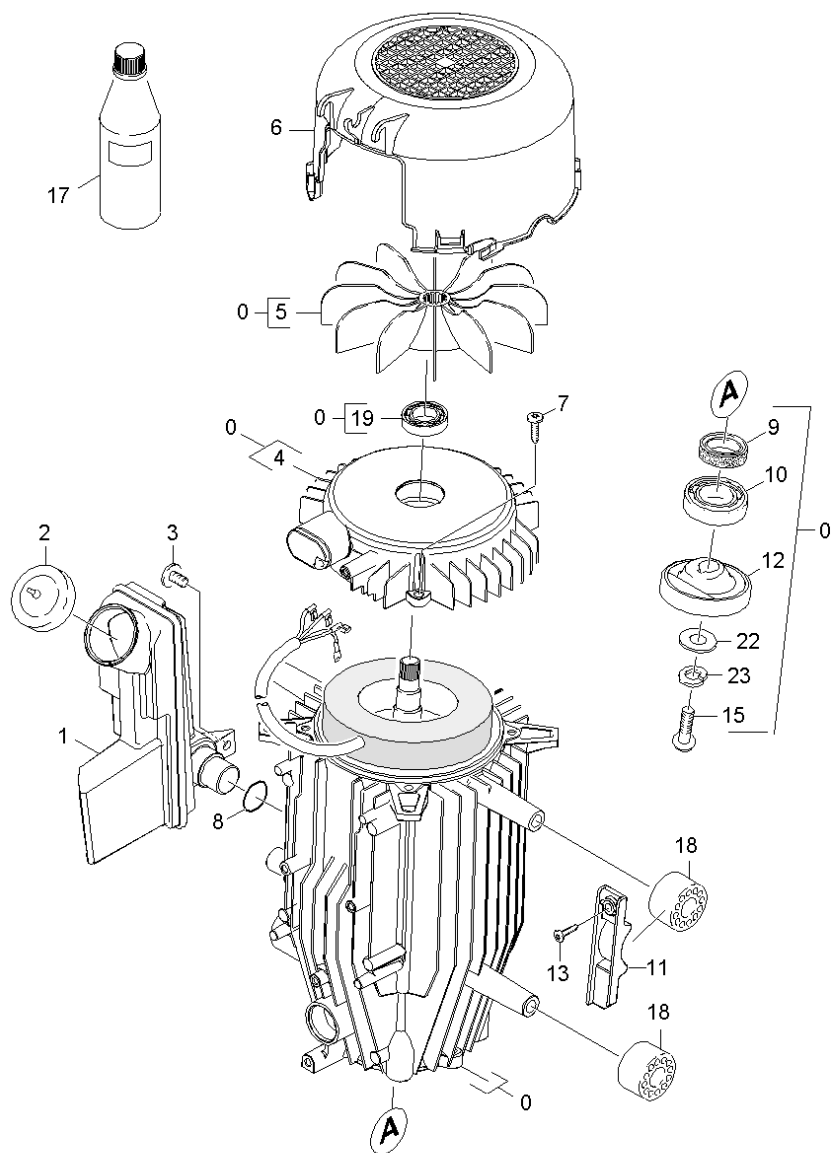
7 Drain plug only for replacement (4.132-007.0)

POS	Article no.	Description	Quantity	Unit
18	6.362-458.0	O-Ring seal 11,0x2,0-NBR 70	1	PC



22 Thrust guidance

POS	Article no.	Description	Quantity	Unit
1	4.553-242.0	Piston complete	3	PC
2	5.062-754.3	Thrust guidance	1	PC
14	5.112-576.3	Bush	3	PC
15	5.115-465.0	Washer	3	PC
12	5.115-744.0	Washer	3	PC
9	6.362-376.0	O-Ring seal 24,0 X 1,5	3	PC
5	6.363-077.0	O-Ring seal 75x3	1	PC
11	6.365-340.0	Grooved ring 14X22X5/7	3	PC
16	6.365-432.0	Grooved ring 14x22x5.3	3	PC
13	6.365-438.0	Compact seal	3	PC
4	7.303-047.0	Screw M6x16 -St-R3R (In6Rd)	2	PC
17	7.306-106.0	Cylinder head screw M8x70 -8.8-A2E ISO4	4	PC

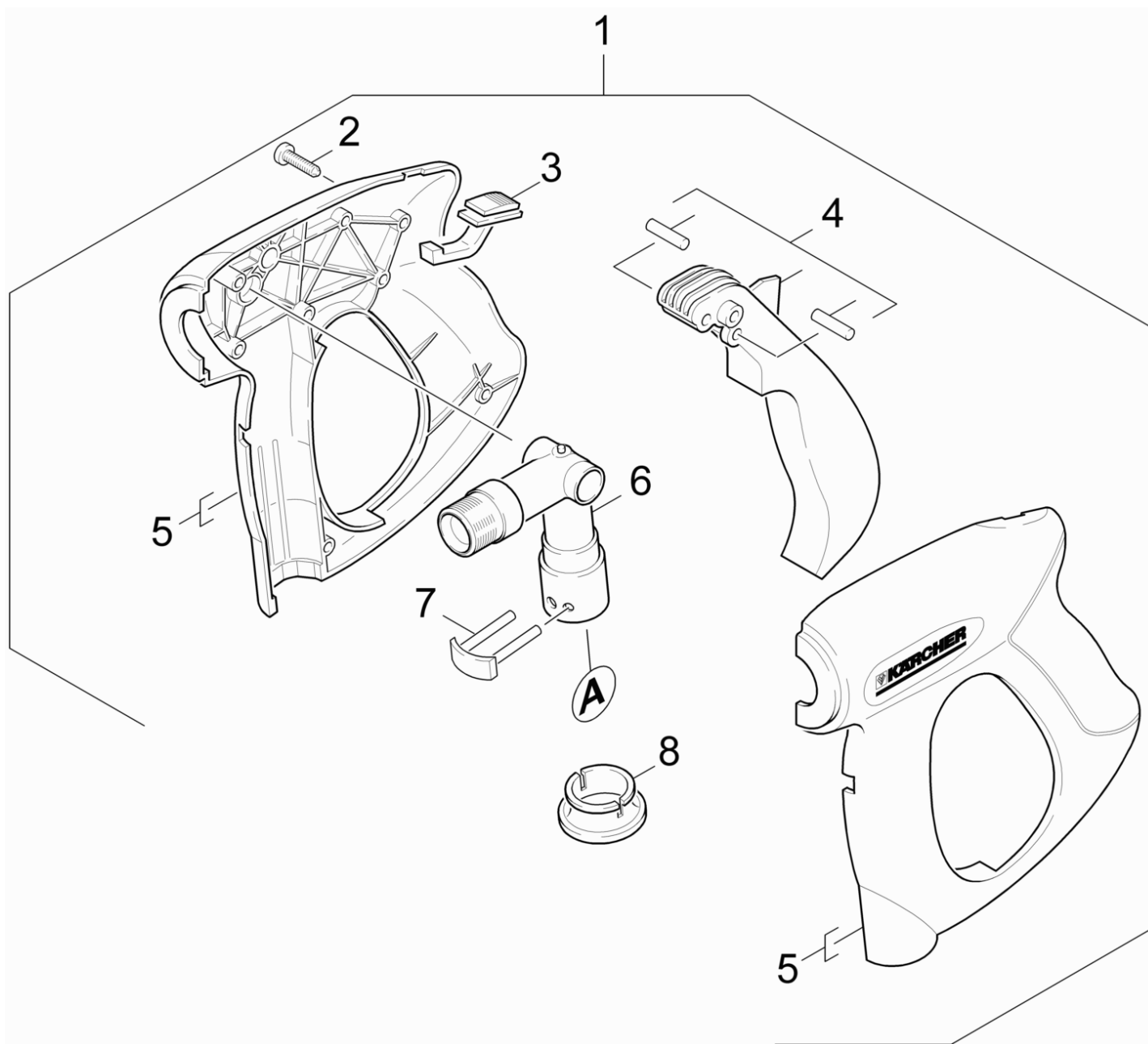


30 Motor

POS	Article no.	Description	Quantity	Unit
12	4.120-213.0	Wobble plate	1	PC
0	4.623-683.3	Motor complete	1	PC
2	5.064-457.0	Cover plate qusty grey oil	1	PC
1	5.070-639.0	Tank oil	1	PC
4	5.094-148.0	Bearing cover B	1	PC
5	5.600-060.0	Blower wheel	1	PC
6	5.692-081.0	Air circulation	1	PC
18	5.767-005.0	Rubber buffer	4	PC
11	5.802-288.0	Mounting part	2	PC
17	6.288-016.0	Gear oil 1L	1	PC
3	6.303-153.0	Screw M5x15-ST-R2R (IN6RD)	1	PC
7	6.303-320.0	Screw M 5x 20-St-R2R	4	PC
8	6.362-161.0	O-Ring seal 19,3 X 2,4	1	PC
10	6.401-427.3	Angular contact ball bearing	1	PC
13	7.303-108.0	Screw 5x20 -10.9-R2R (In6Rd)	2	PC
15	7.306-042.0	Cylinder head screw M8x25 -8.8-A2E ISO4	1	PC
22	7.312-277.0	Washer 8-200HV-A2E ISO7093-1	1	PC
23	7.313-004.0	Spring washer B 8-FSt-A3E DIN 127	1	PC
9	7.367-001.0	Radial shaft seal ring A24x37x7 -NBR DI	1	PC
19	7.401-128.0	Ball bearing 6202-2RS -Wälzl.St DIN 625	1	PC

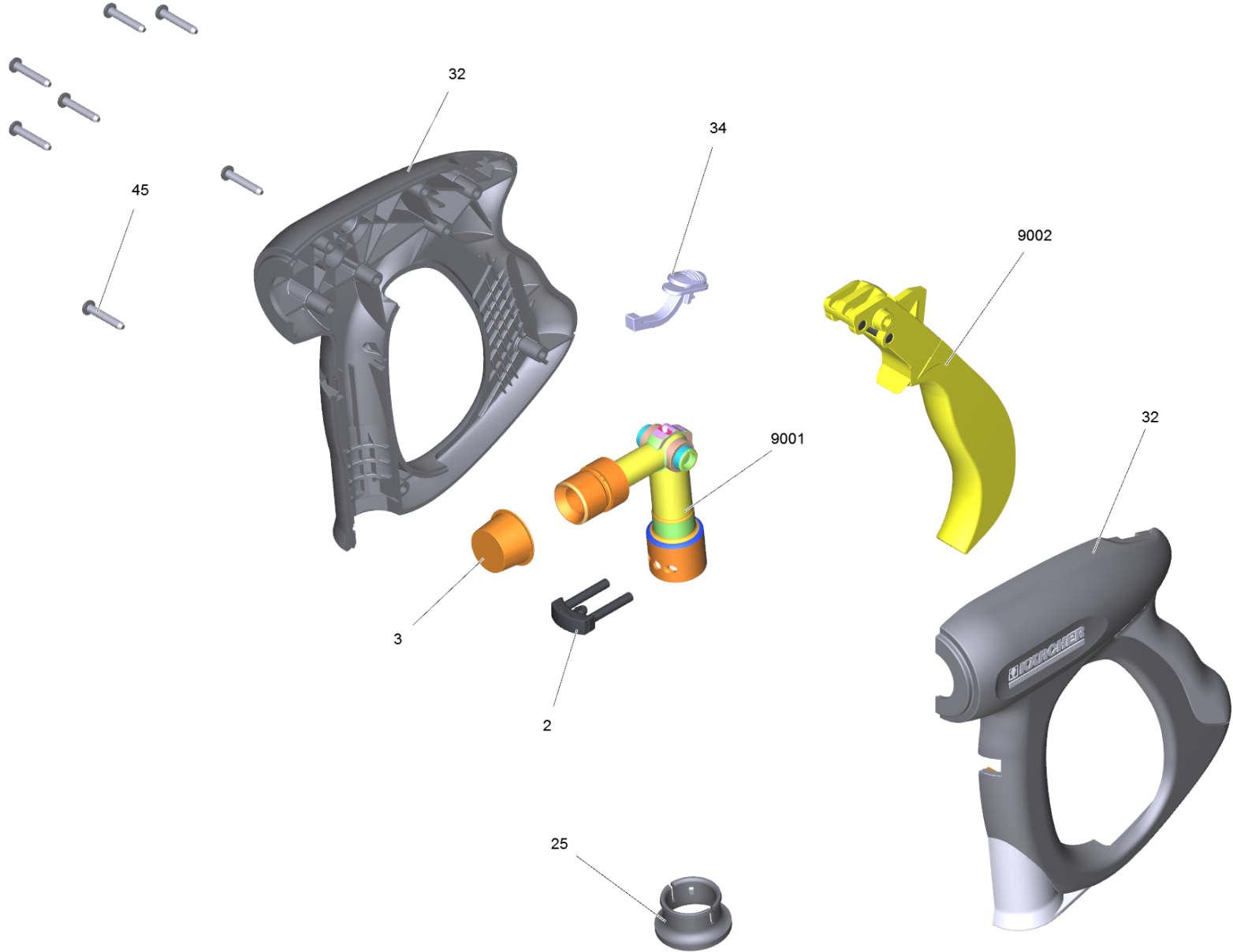
40 Accessories

POS	Description	Quantity	Unit
41	Hand trigger gun	1	PC
42	Rotary controller	1	PC
43	High pressure hose	1	PC
44	Jet pipe	1	PC
45	Triple jet nozzle	1	PC
46	Dirt blaster	1	PC



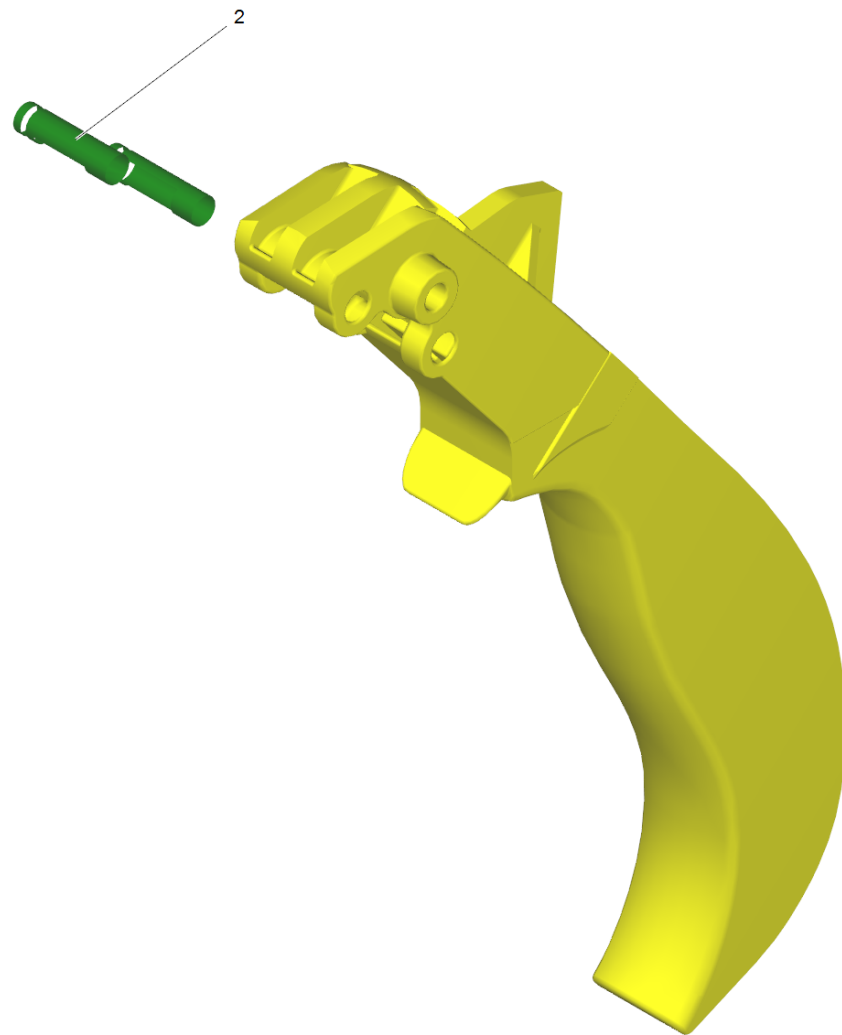
41 Hand trigger gun

POS	Article no.	Description	Quantity	Unit
7	4.037-013.0	Hook	1	PC
6	4.427-215.0	Manifold complete only for replacement	1	PC
4	4.481-209.0	Lever complete	1	PC
1	4.775-463.0	HAND TRIGGER GUN EASY PRESS	1	PC
8	5.110-596.0	Sleeve	1	PC
5	5.321-669.3	Handhold few	1	PC
3	5.481-331.0	Slider	1	PC
2	7.303-096.0	Screw 4x22-ST-10.9-R2R (IN6RD)	7	PC



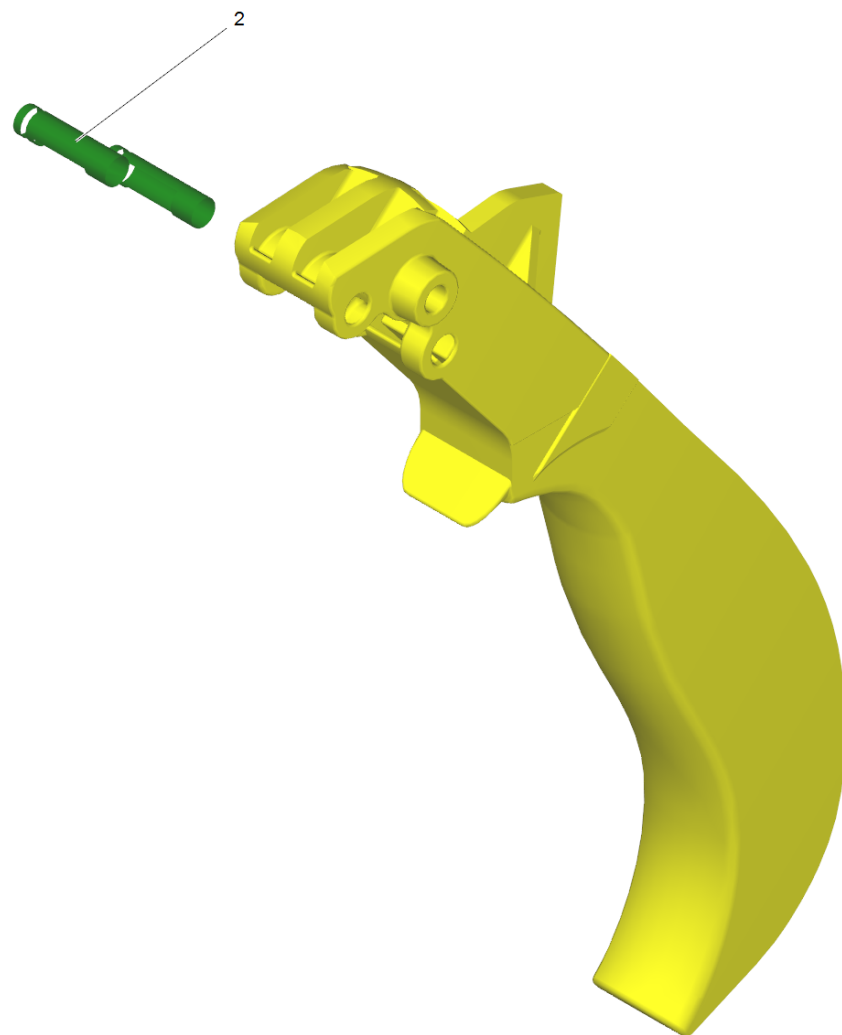
1 HAND TRIGGER GUN EASY PRESS (4.775-463.0)

POS	Article no.	Description	Quantity	Unit
2	4.037-013.0	Hook	1	PC
9001	4.427-215.0	Manifold complete only for replacement	1	PC
9002	4.481-209.0	Lever complete	1	PC
25	5.110-596.0	Sleeve	1	PC
32	5.321-669.3	Handhold few	1	PC
34	5.481-331.0	Slider	1	PC
1041	6.288-044.0	Silicon grease 100 G	1	PC
3	6.368-012.0	Protecting cap 22X1,5	1	PC
4	6.869-075.0	Metal bonding agent 1,5 ml	1	PC
	cart_info_txt: This material is not available due to hazardous good regulation. Please procure this or a similar material from a local supplier of your choice.			
45	7.303-096.0	Screw 4x22-ST-10.9-R2R (IN6RD)	7	PC



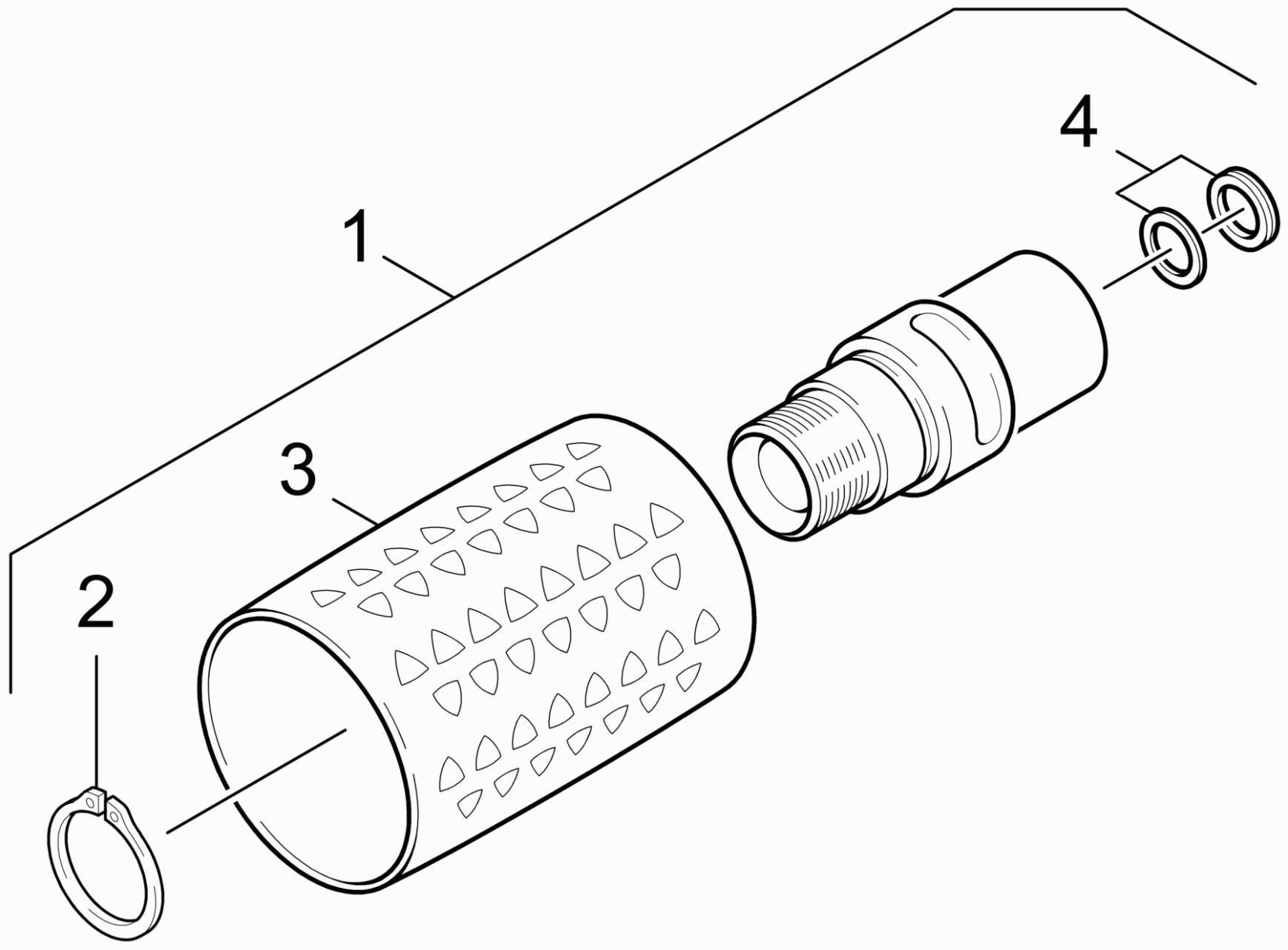
9002 Lever complete (4.481-209.0)

POS	Article no.	Description	Quantity	Unit
2	5.314-119.0	Pin	2	PC



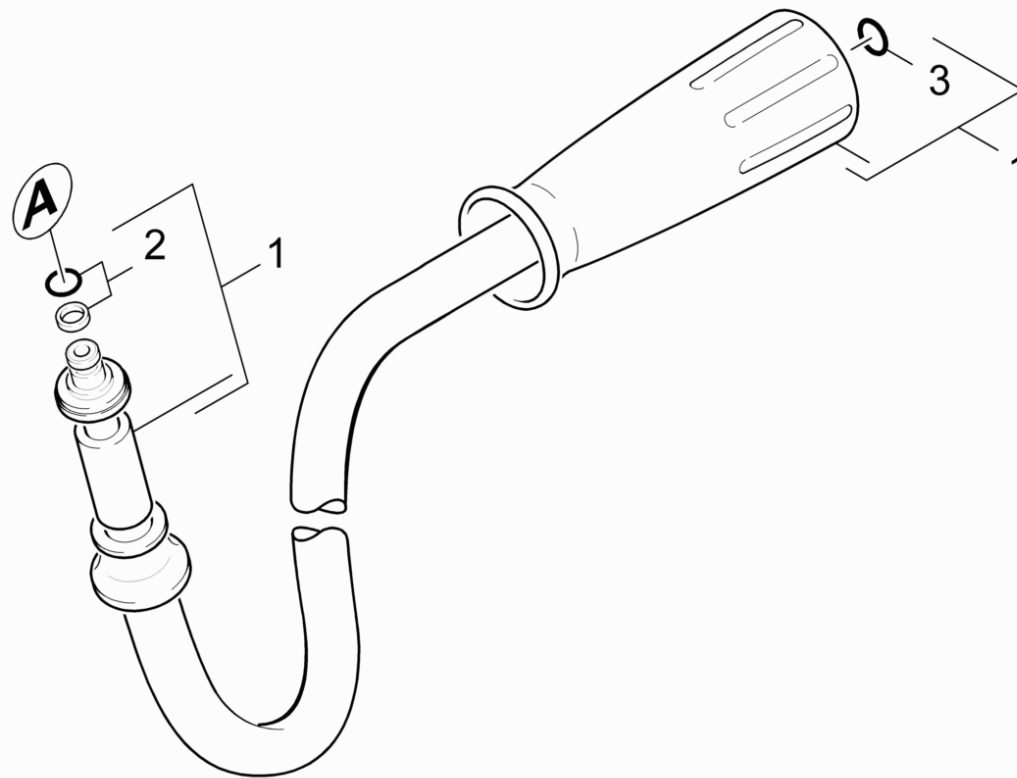
4 Lever complete (4.481-209.0)

POS	Article no.	Description	Quantity	Unit
2	5.314-119.0	Pin	2	PC



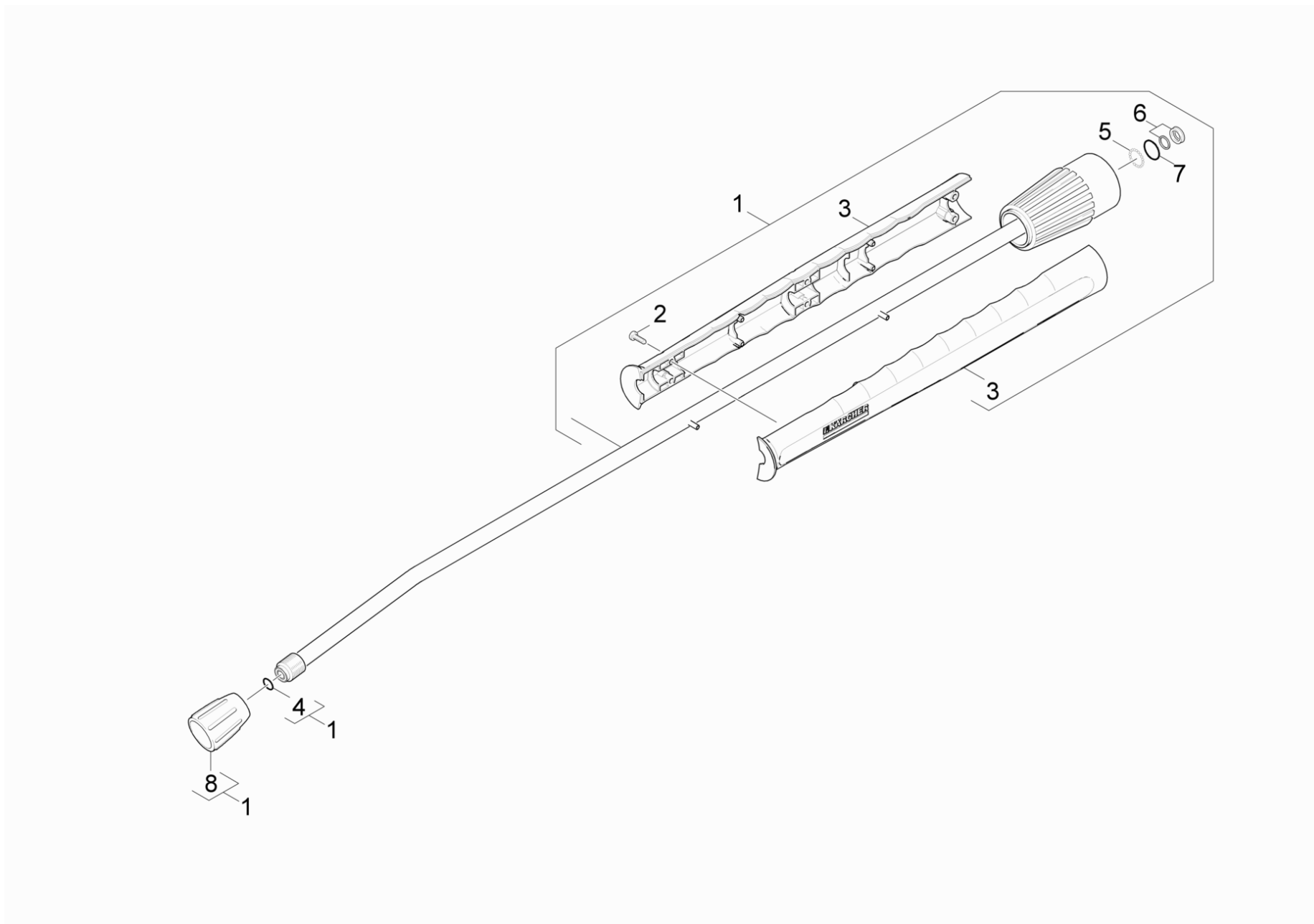
42 Rotary controller

POS	Article no.	Description	Quantity	Unit
4	2.880-001.0	Spare part set seals TR	1	PC
1	4.775-526.0	Rotary controller 270 I	1	PC
3	5.321-668.0	Handle	1	PC
2	7.343-069.0	Locking ring 25x1,2-1.4122 DIN 471	1	PC



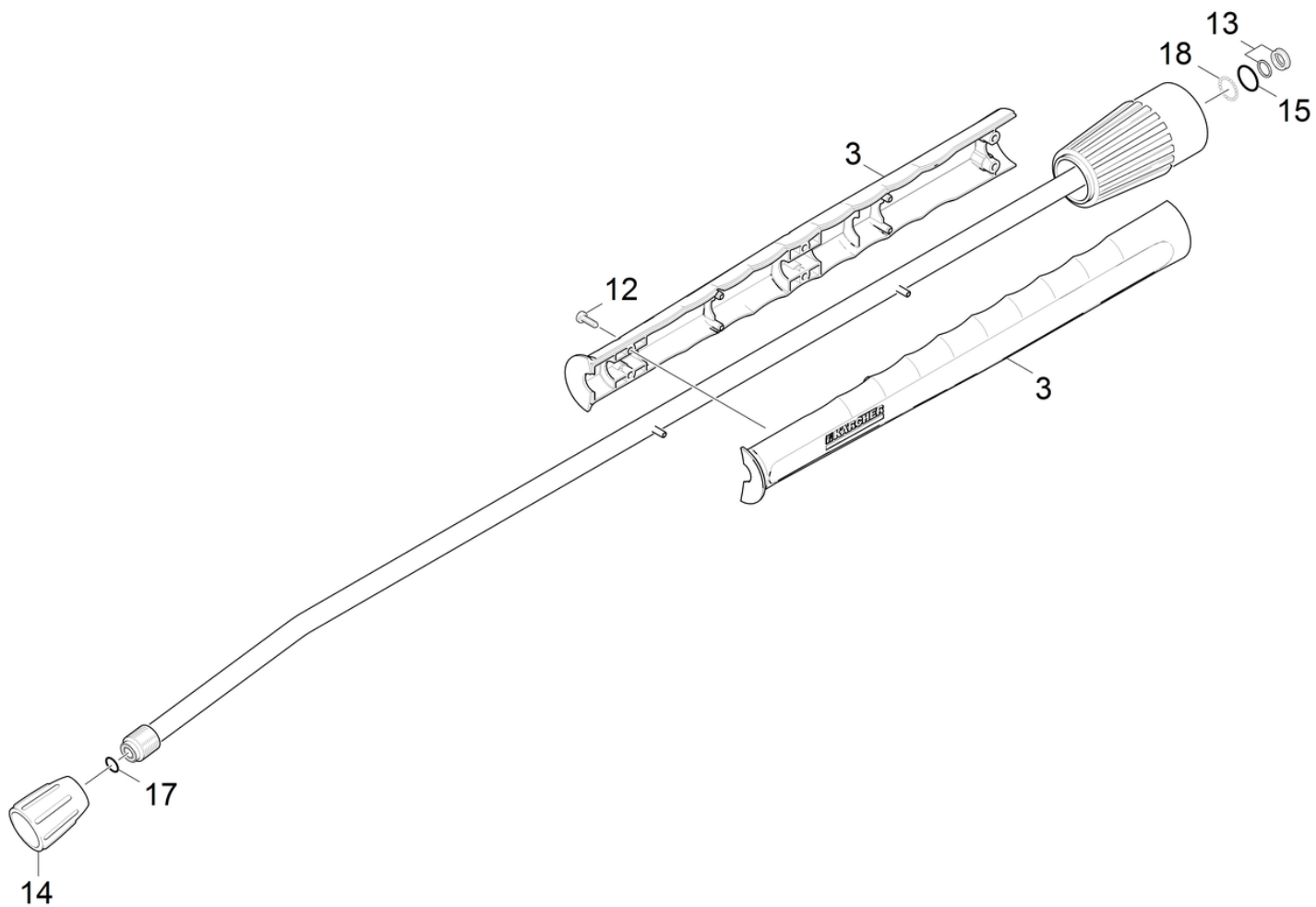
43 High pressure hose

POS	Article no.	Description	Quantity	Unit
3	2.880-990.0	Spare part set O-Ring 5x -Kaercher	1	PC
2	4.363-691.0	O-Ring seal kpl. -nur fuer Ersatz-	1	PC
1	6.390-025.0	Hose assembly DN8 max.31,5MPa 10m	1	PC



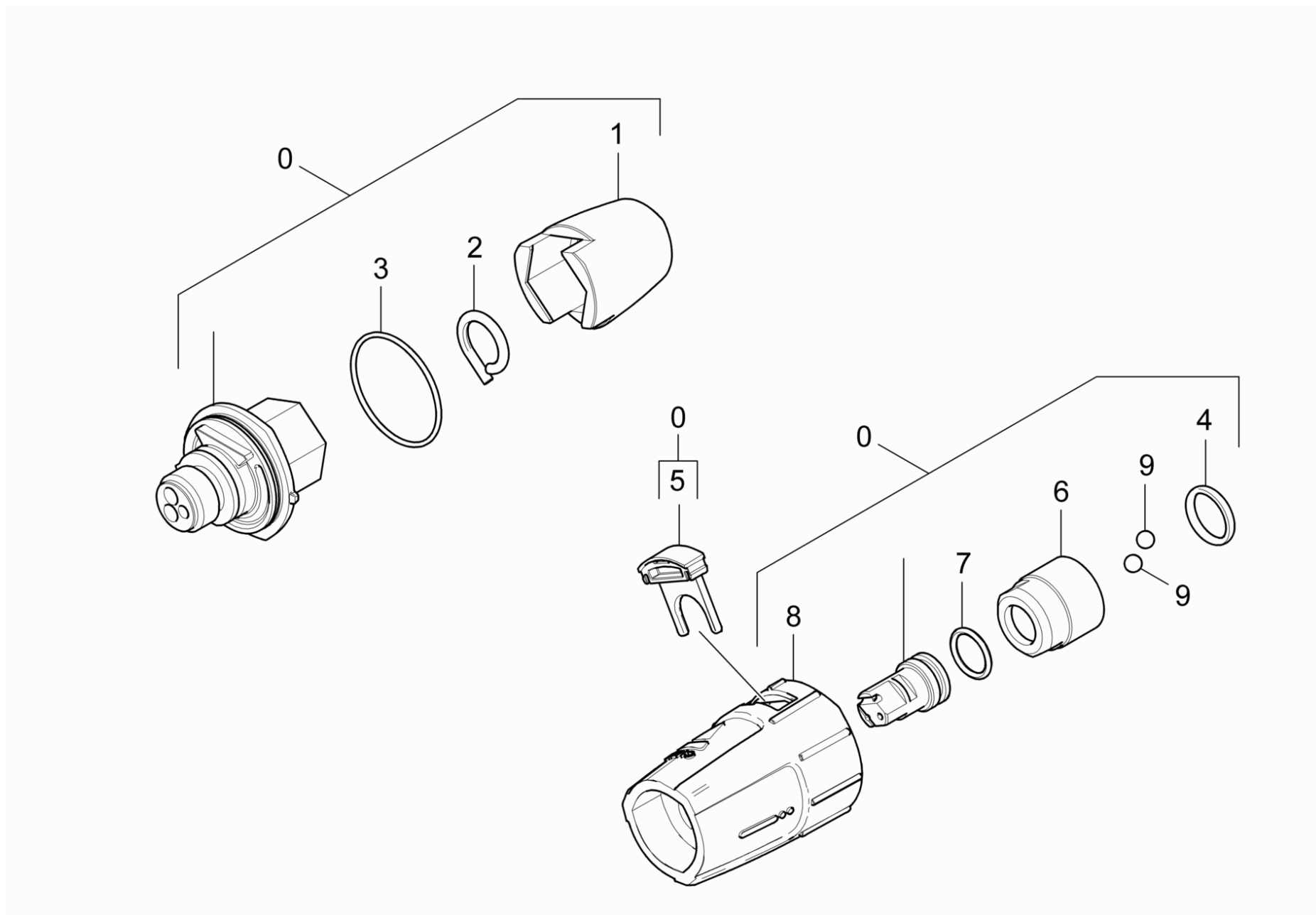
44 Jet pipe

POS	Article no.	Description	Quantity	Unit
4	2.880-990.0	Spare part set O-Ring 5x -Kaercher	1	PC
6	4.363-692.0	Grooved ring kpl. -nur fuer Ersatz-	1	PC
1	4.760-663.0	Jet pipe packaged only for replacement	1	PC
3	5.321-855.0	Handhold few jet pipe with welding bolt	1	PC
8	5.401-210.0	Screw connector part	1	PC
7	6.362-524.0	O-Ring seal 17,0 X 1,5	1	PC
2	7.303-129.0	Screw 4x16-10.9-R2R (K-In6Rd)	6	PC
5	7.401-915.0	Sphere 2,5 G40 -1.4034 DIN 5401	20	PC



1 Jet pipe packaged only for replacement (4.760-663.0)

POS	Article no.	Description	Quantity	Unit
3	5.321-855.0	Handhold few jet pipe with welding bolt	1	PC
14	5.401-210.0	Screw connector part	1	PC
13	6.362-064.0	Quad joint ring 9.19x2.62	1	PC
15	6.362-524.0	O-Ring seal 17,0 X 1,5	1	PC
12	7.303-129.0	Screw 4x16-10.9-R2R (K-In6Rd)	6	PC
17	7.362-501.0	O-Ring seal 10x2 EPDM 70 DIN 3770	1	PC
18	7.401-915.0	Sphere 2,5 G40 -1.4034 DIN 5401	20	PC

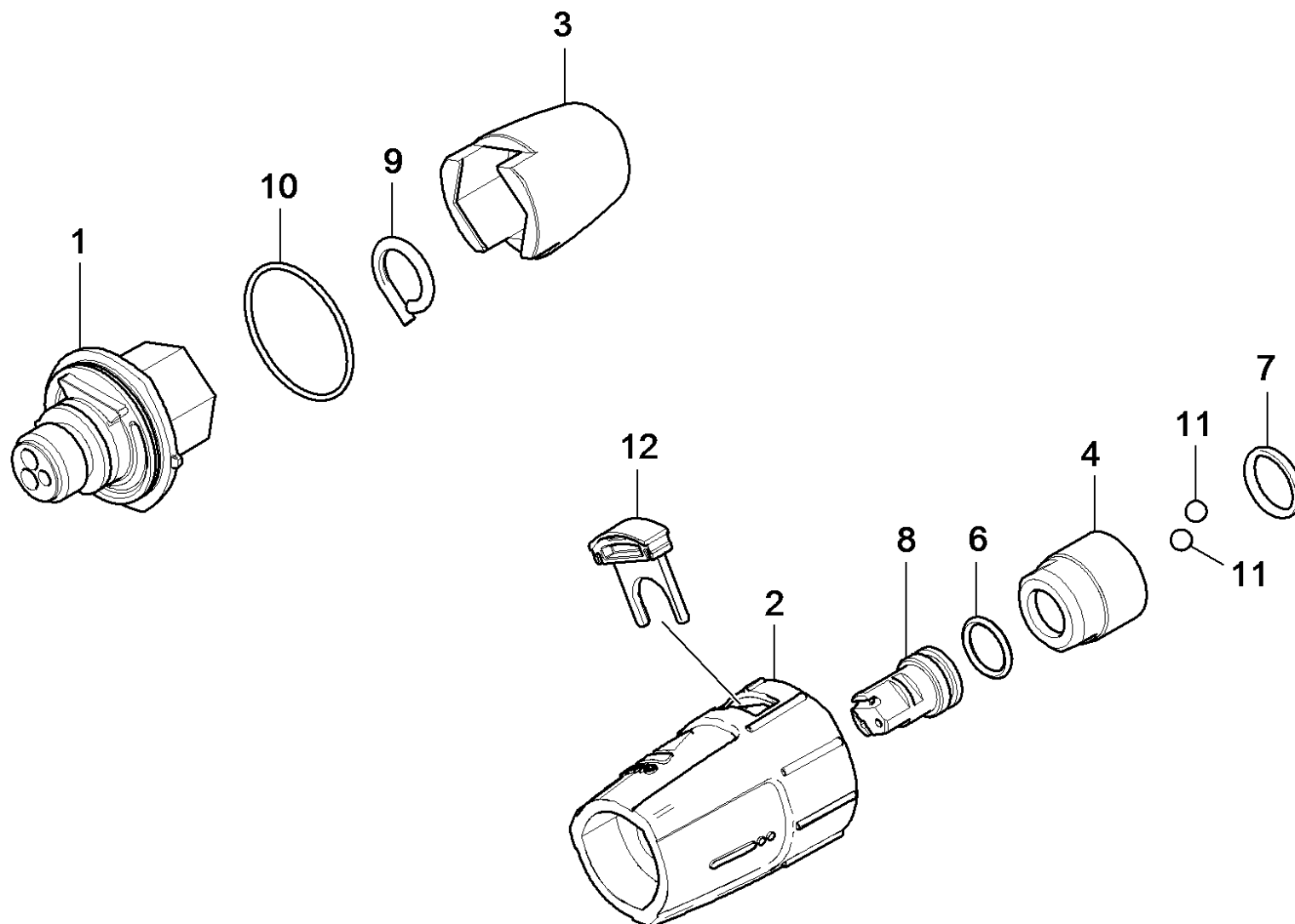


45 Triple jet nozzle

POS	Article no.	Description	Quantity	Unit
0	4.767-150.0	Triple jet nozzle only for replacement 0	1	PC
6	5.311-225.0	Nut	1	PC
5	5.321-884.0	Clamp	1	PC
1	5.394-530.0	Protection part complete	1	PC
8	5.394-859.0	Protection part	1	PC
2	6.343-150.0	Pin 03	1	PC
3	6.362-409.0	O-Ring seal 32,0 X 1,5	1	PC
4	6.362-460.0	O-Ring seal 14,0 X 2,5-NBR 70	1	PC
7	6.362-480.0	O-Ring seal 12,42x 1,78	1	PC
9	7.401-902.0	Sphere 5 G20 -1.4034 DIN 5401	2	PC

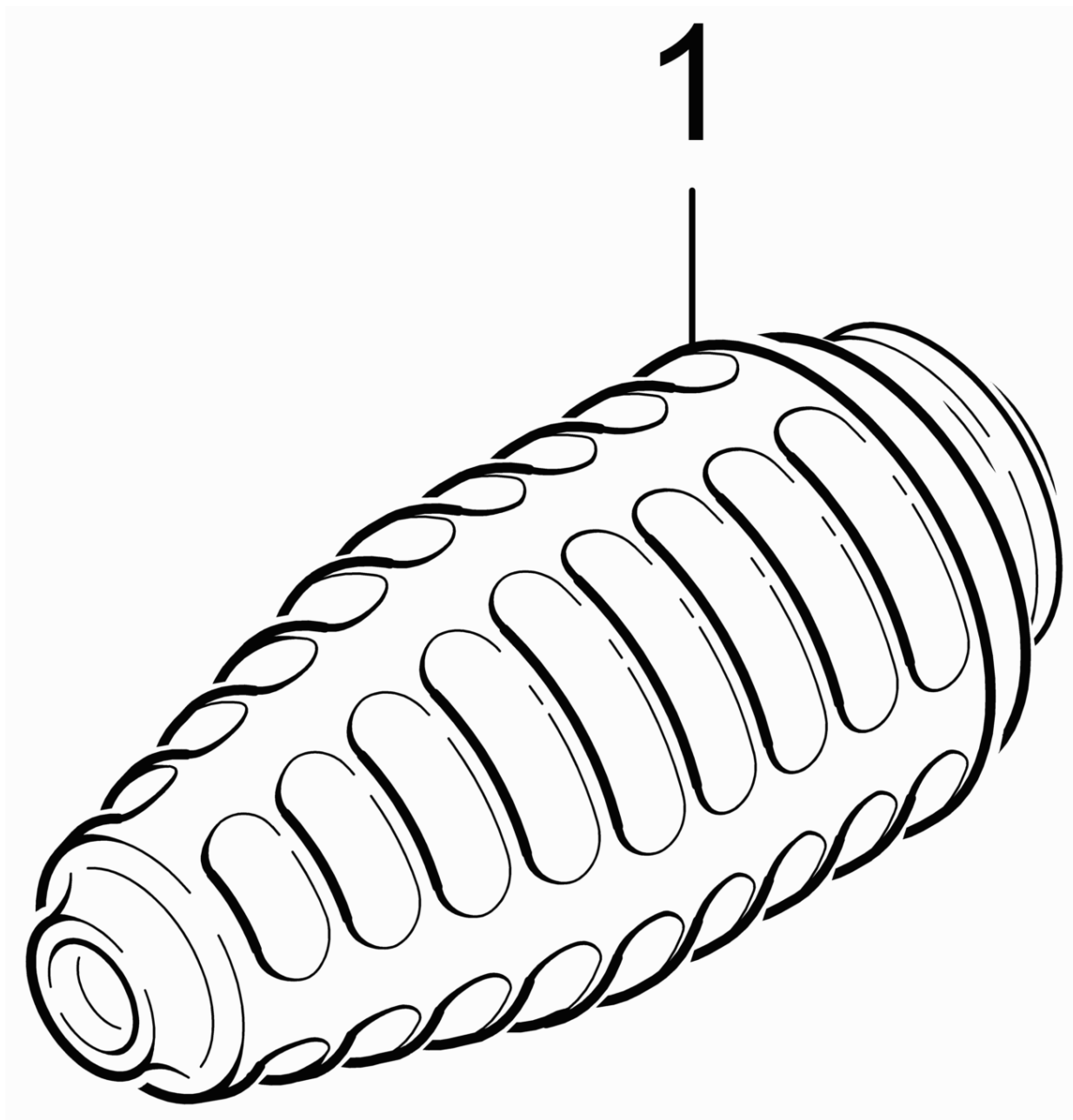
Triple jet nozzle only for replacement 0 (4.767-150.0)

POS	Article no.	Description	Quantity	Unit
1	4.767-136.0	Triple jet nozzle 040	1	PC



1 Triple jet nozzle 040 (4.767-136.0)

POS	Article no.	Description	Quantity	Unit
4	5.311-225.0	Nut	1	PC
12	5.321-884.0	Clamp	1	PC
3	5.394-530.0	Protection part complete	1	PC
2	5.394-859.0	Protection part	1	PC
8	5.415-603.0	Triple jet nozzle 040	1	PC
9	6.343-150.0	Pin 03	1	PC
10	6.362-409.0	O-Ring seal 32,0 X 1,5	1	PC
7	6.362-460.0	O-Ring seal 14,0 X 2,5-NBR 70	1	PC
6	6.362-480.0	O-Ring seal 12,42x 1,78	1	PC
11	7.401-902.0	Sphere 5 G20 -1.4034 DIN 5401	2	PC

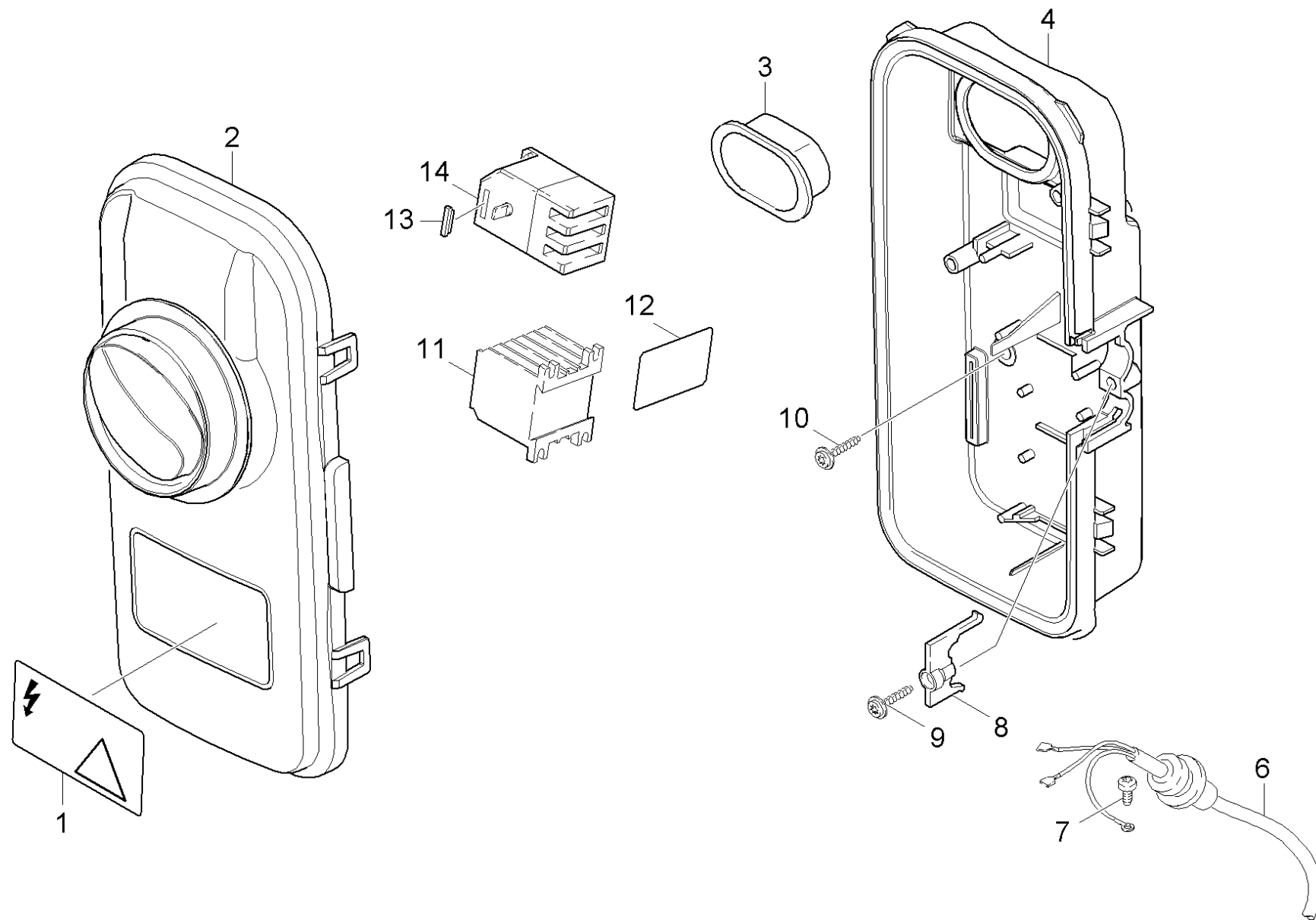


46 Dirt blaster

POS	Article no.	Description	Quantity	Unit
1	4.767-023.0	Dirt blaster 040	1	PC

1 Dirt blaster 040 (4.767-023.0)

POS	Article no.	Description	Quantity	Unit
999	4.764-134.0	Nozzle holder 040	1	PC



50 Electric box

POS	Article no.	Description	Quantity	Unit
2	4.063-910.0	Cover complete only for replacement	1	PC
12	5.048-251.0	Plate	1	PC
4	5.061-000.0	Housing	1	PC
8	5.263-051.0	Tensioning part	1	PC
3	5.365-181.0	Profile gasket	1	PC
1	5.388-512.0	Label	1	PC
10	6.303-153.0	Screw M5x15-ST-R2R (In6RD)	3	PC
13	6.630-049.0	Cap	1	PC
14	6.631-190.0	Motor protecting switch	1	PC
11	6.632-173.0	Contacteur 4,0KW/400V	1	PC
6	6.649-134.3	Cable with plug	1	PC
7	7.303-031.0	Screw M4x10 -St-P2R (In6Rd)	1	PC
9	7.303-109.0	Screw 5x25 -10.9-R2R (In6Rd)	1	PC