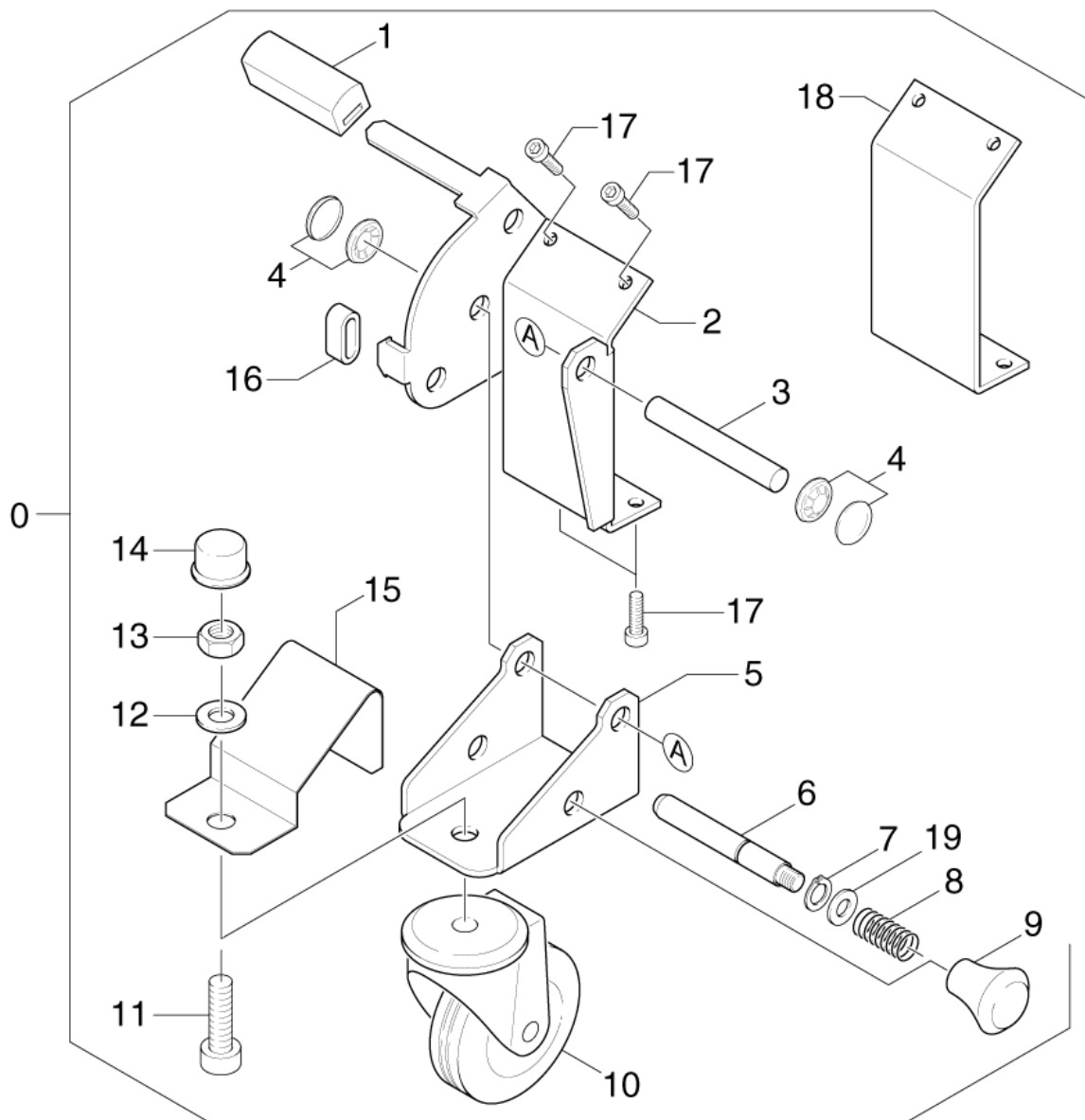


80 Accessories carriage

Overview technical documents/Professional/Floor cleaner/Walk behind/BR 530 O.SAUGB. *EU (1.127-321.0)/Spare parts list BR 530 Netz/80 Accessories carriage



80 Accessories carriage

Overview technical documents/Professional/Floor cleaner/Walk behind/BR 530 O.SAUGB. *EU (1.127-321.0)/Spare parts list BR 530 Netz/80 Accessories carriage

Rez.daļas/nodil.pakļ.daļas	Poz.	Materiāla Nr.	Nosaukums	Daudzums	Pārdoš. vienība	no sēr. Nr..	līdz sēr. Nr.
	0	2.639-807.0	Add on kit br 530	1.000	ST	0000000000	0000000000
	1	5.321-457.0	Tureklis	1.000	ST	0000000000	0000000000
	2	4.044-021.0	Holder carriage	1.000	ST	0000000000	0000000000
X-X	3	5.105-336.0	Axle	1.000	ST	0000000000	0000000000
X-X	4	6.343-191.0	Ātrais savienotājs	2.000	ST	0000000000	0000000000
X-X	5	5.044-445.0	Riteņa turētājs	1.000	ST	0000000000	0000000000
X-X	6	5.317-001.0	Skrūve	1.000	ST	0000000000	0000000000
X	7	7.343-300.0	Sprostpaplāksne 7-A2 DIN 6799	1.000	ST	0000000000	0000000000
X-X	8	5.332-288.0	Spirālveida atspere	1.000	ST	0000000000	0000000000
X-X	9	6.321-001.0	Poga M8	1.000	ST	0000000000	0000000000
X-X	10	6.435-061.0	Pagriezējveltnītis D 75	1.000	ST	0000000000	0000000000
X	11	7.306-234.0	Cil. galvas skr. M10x20-A4-70 ISO 47	1.000	ST	0000000000	0000000000
X-X	12	7.312-066.0	Washer 10 -A2 ISO 7090	1.000	ST	0000000000	0000000000
X-X	13	7.311-066.0	Sešstūra uzgrieznis M10-A2-70 ISO 4032	1.000	ST	0000000000	0000000000
	14	6.368-354.0	Vāciņš M 10	1.000	ST	0000000000	0000000000
	15		Stockpiling discontinued	1.000	ST	0000000000	0000000000
X-X	16	5.442-982.0	Piece of tube	1.000	ST	0000000000	0000000000
X-X	17	7.303-107.0	Skrūve 5x16 -10.9-P2R (K-In6Rd)	4.000	ST	0000000000	0000000000
	18	5.387-011.0	Template carriage	1.000	ST	0000000000	0000000000
X-X	19	7.362-003.0	Blīvredzens A10x13,5 -Cu DIN 7603	1.000	ST	0000000000	0000000000