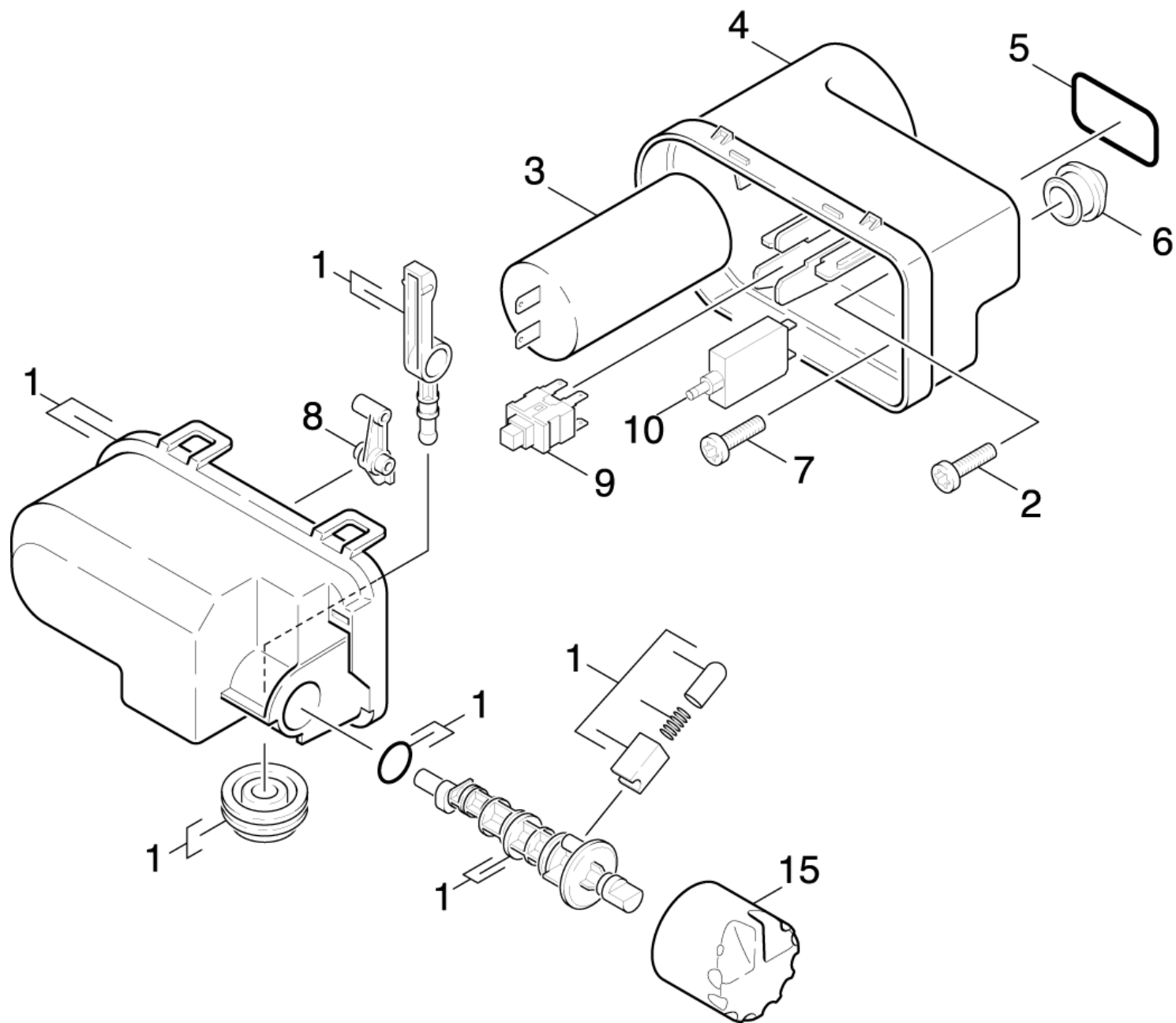


Spare parts list

Electric box



41 Electric box

POS	Article no.	Description	Quantity	Unit
1	9.011-382.0	Cover electric box *USA	1.000	ST
2	7.303-031.0	Screw M4x10 -St-P2R (In6Rd)	1.000	ST
3	6.661-196.0	Capacitor 60µF	1.000	ST
4	9.036-426.0	Housing electric box ABS *USA	1.000	ST
5	9.081-408.0	O-Ring seal 19x34x2,62	1.000	ST
6	9.048-011.0	Wire protecting sleeve	1.000	ST
7	6.303-320.0	Screw M 5x 20-St-R2R	2.000	ST
8	9.036-384.0	Switching lever	1.000	ST
9	9.085-034.0	Switch 16A 3/4HF	1.000	ST
10	9.085-032.0	Motor protecting switch 15A	1.000	ST
15	9.036-798.0	Switch	1.000	ST