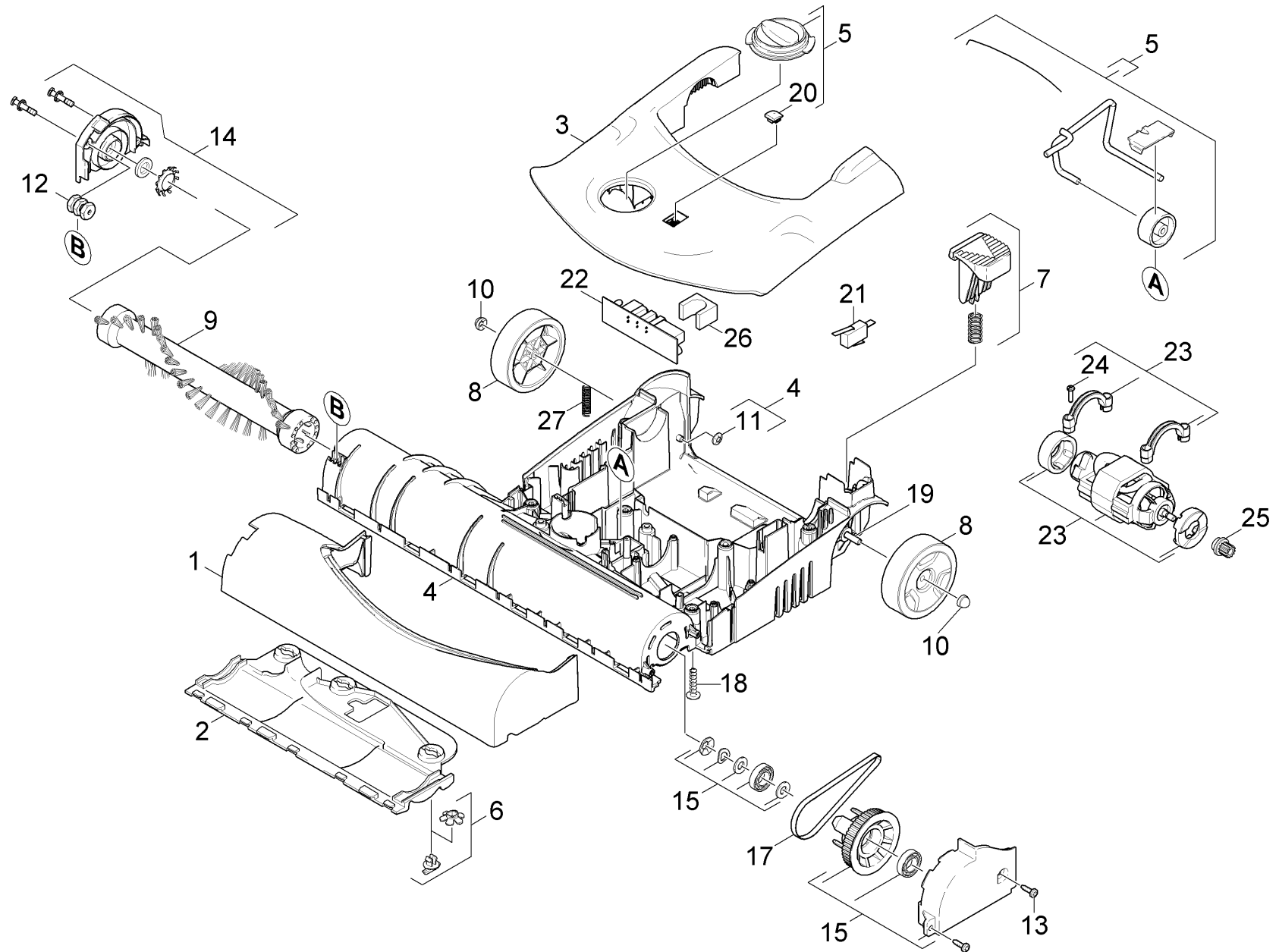


20 Brush-head

Professional \ Vacuum cleaner \ Dry vacuum cleaner \ CV 38/2 *EU \ Spare parts list CV 38/2 *EU \ Brush-head



20 Brush-head

Professional \ Vacuum cleaner \ Dry vacuum cleaner \ CV 38/2 *EU \ Spare parts list CV 38/2 *EU \ Brush-head



POS	Article no.	Description	Quantity	Unit	Serial number from	Serial number to
5	4.515-316.0	Adjusting wheel complete	1.000	ST		
19	9.412-178.0	Axle	1.000	ST		
1	5.032-456.0	Bumper CV 38/1	1.000	ST		
6	2.889-084.0	Closure parts set for replacement	1.000	ST		
15	4.063-774.0	Covering cap complete belt	1.000	ST		
14	4.063-892.0	Covering cap complete brush Aluminiumdru	1.000	ST		
7	4.481-265.0	Foot pedal complete	1.000	ST		
27	5.332-082.0	Helical spring	1.000	ST		
4	4.062-007.0	Housing complete	1.000	ST		
3	4.062-015.0	Housing top part complete RAL 7012	1.000	ST		
20	5.033-452.0	Lens	1.000	ST		
10	6.343-187.0	Lock washer	2.000	ST		
11	6.343-119.0	Lock washer	2.000	ST		
21	6.630-135.0	Micro switch	1.000	ST		
23	4.613-008.0	Motor complete 230V	1.000	ST		
25	5.033-459.0	Pinion	1.000	ST		
22	6.682-291.0	Printed circuit board 230V	1.000	ST		
26	6.286-573.0	Protecting cap	1.000	ST		
9	6.906-643.0	Roller brush black	1.000	ST		30000
9	6.906-644.0	Roller brush red	1.000	ST	30001	
13	7.303-106.0	Screw 4x12 -10.9-R2R (IN6RD)	2.000	ST		
24	7.303-096.0	Screw 4x22 -ST-10.9-R2R (IN6RD)	4.000	ST		
18	7.303-109.0	Screw 5x25 -10.9-R2R (In6Rd)	8.000	ST		
12	5.401-288.0	Screw connector part	2.000	ST		
2	5.059-141.3	Sliding bottom for replacement	1.000	ST		
17	6.348-460.0	Toothed belt	1.000	ST		
8	5.515-374.0	Wheel	2.000	ST		