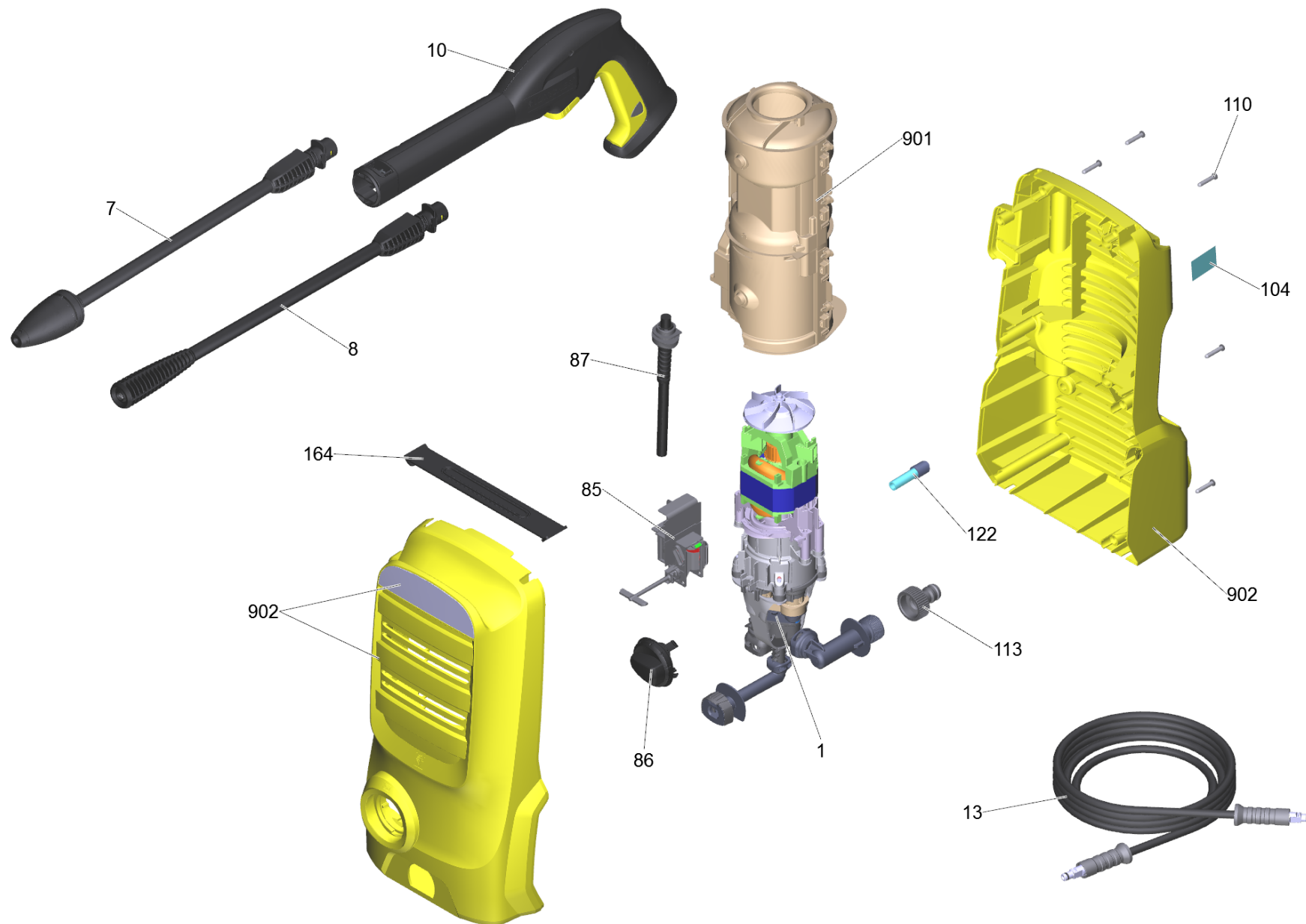


Spare parts list

(1.673-500.0) K 2 Compact *EU

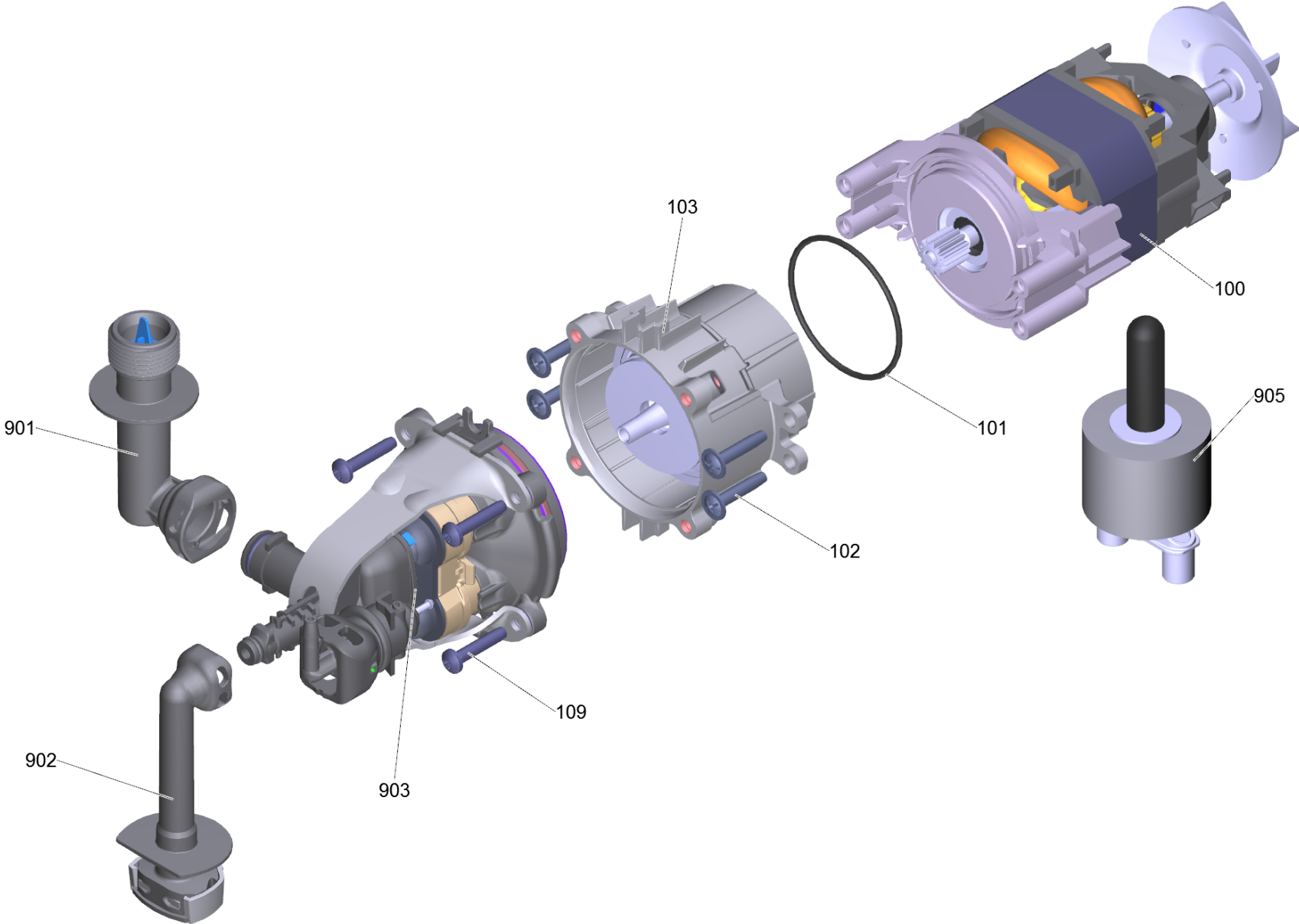
Table of contents

K 2 Compact *EU (1.673-500.0)	3
1 Pump set RV upr. K2 *EU (0,75kW) QC	5
103 Gear complete lift 3,8 RV upr.	7
901 Spare part set planet wheel (4.100-662.0)	9
901 Suction cover for replacement with SV5 ((4.063-913.0)	11
902 High-pressure outlet with clamp for repl (4.064-047.0)	13
903 Cylinder head for replacement (981) RV (4.551-144.0)	15
1 Cylinder head complete RV K2.0X	16
Cylinder head only for replacement (4.551-159.3)	18
40 Cylinder head RV K2.0X	20
45 Spare parts set control piston with nipp (2.885-397.0)	22
2 Spare parts set nipple chemistry RV (2.885-396.0)	24
43 Thrust guidance complete quadruple	25
7 Dirt blaster Entry 026 St (4.764-317.0)	27
8 Jet pipe single Entry 025 K (4.760-726.0)	29
10 G 120 Q (4.775-830.0)	31
13 High pressure hose 12MPa/4 40°C QCS B (6.396-513.0)	33
85 Switch with axle RV	35
87 Spare parts set strain relief with cable (2.885-475.0)	37
122 Filter with hose RM 0,50 *	39



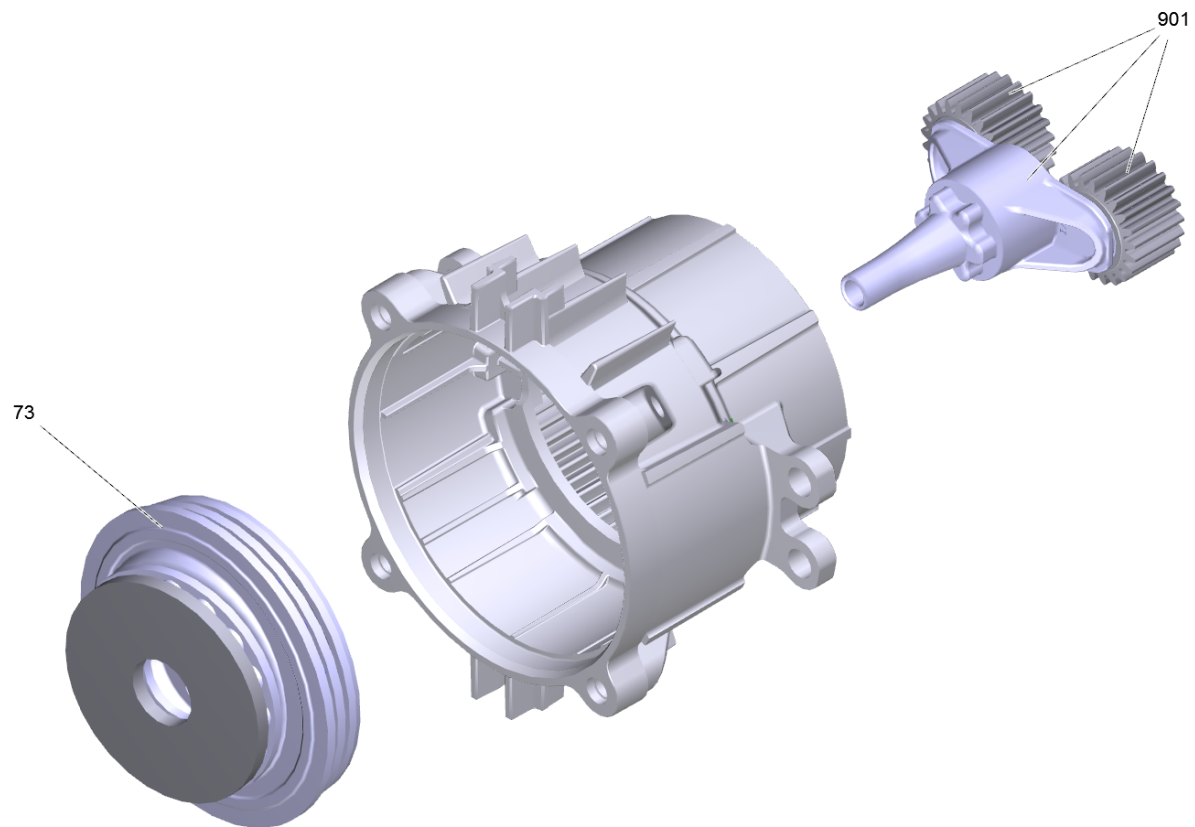
K 2 Compact *EU (1.673-500.0)

POS	Article no.	Description	Quantity	Unit
113	6.465-031.0	Connection 3/4	1.000	ST
7	4.764-317.0	Dirt blaster Entry 026 St	1.000	ST
122		Filter with hose RM 0,50 *	1.000	ST
10	4.775-830.0	G 120 Q	1.000	ST
164	5.322-315.3	Handhold for replacement K2 Compact	1.000	ST
86	5.322-039.0	Handhold switch Modul Range	1.000	ST
13	6.396-513.0	High pressure hose 12MPa/4 40°C QCS B	1.000	ST
902	4.100-692.0	Housing set K2 Compact	1.000	ST
8	4.760-726.0	Jet pipe single Entry 025 K	1.000	ST
901	4.067-071.0	Motor housing set replacement K2 RV	1.000	ST
1		Pump set RV upr. K2 *EU (0,75kW) QC	1.000	ST
110	6.303-150.0	Screw 4,2x 22	7.000	ST
87	2.885-475.0	Spare parts set strain relief with cable	1.000	ST
85		Switch with axle RV	1.000	ST
104	5.387-620.0	Warning sticker-Prevent from freezing	1.000	ST



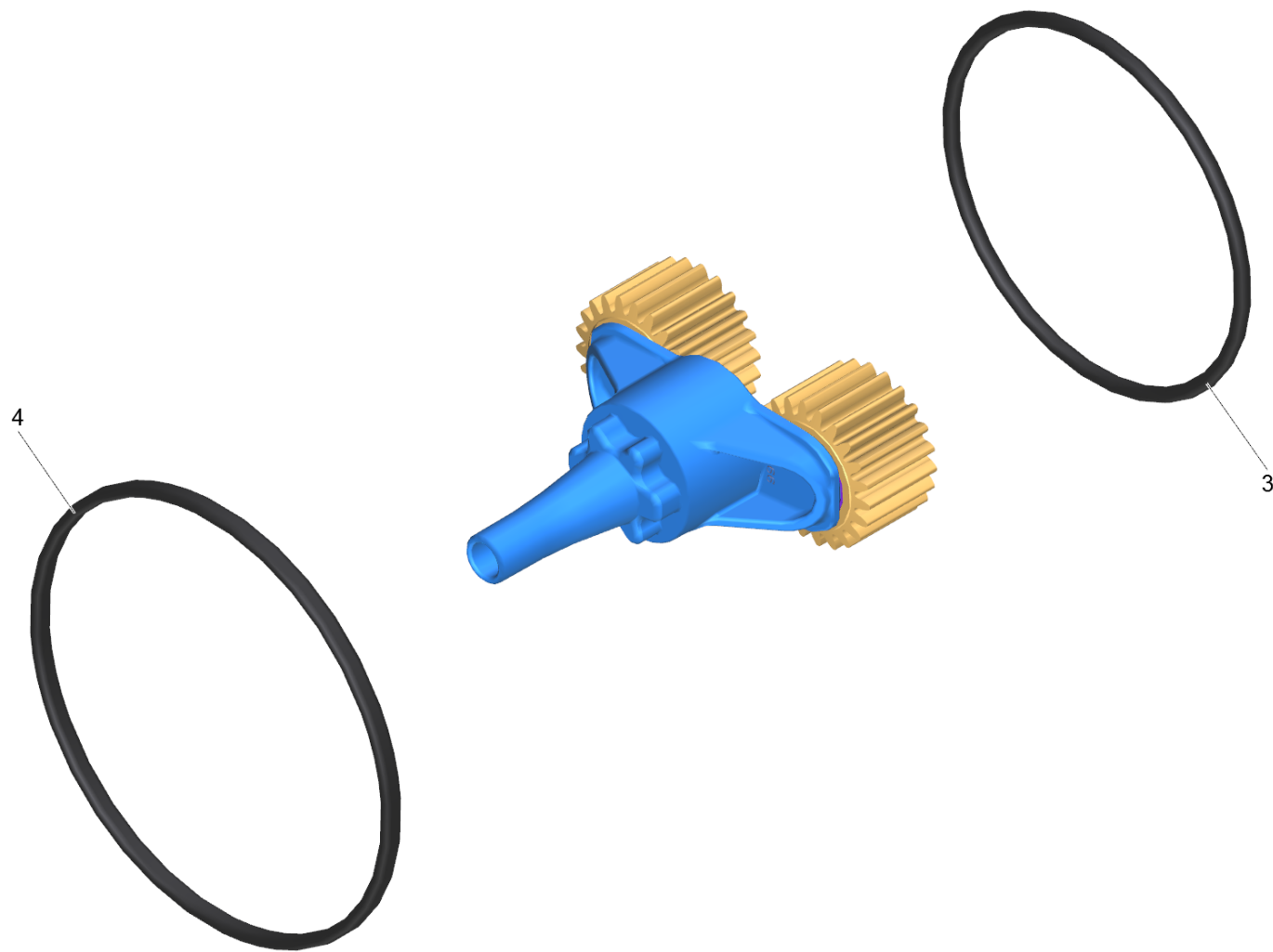
1 Pump set RV upr. K2 *EU (0,75kW) QC

POS	Article no.	Description	Quantity	Unit
903	4.551-144.0	Cylinder head for replacement (981) RV	1.000	ST
904	6.288-112.0	Engine oil 10W-60, 1L	1.000	ST
103		Gear complete lift 3,8 RV upr.	1.000	ST
902	4.064-047.0	High-pressure outlet with clamp for repl	1.000	ST
100	4.100-622.0	Motor only for replacement	1.000	ST
101	6.363-657.0	O-Ring seal 50x2.35 NBR 70	1.000	ST
102	6.303-260.0	Screw 5x26,4	4.000	ST
109	6.303-519.0	Screw M5x25-10.9-A2E (IN6RD/T25)	4.000	ST
905	2.100-023.0	Special tool motor K2	1.000	ST
		Item text1: Pay attention to Assembly instruction!		
		Item text2: Montageanleitung beachten!		
901	4.063-913.0	Suction cover for replacement with SV5 (1.000	ST



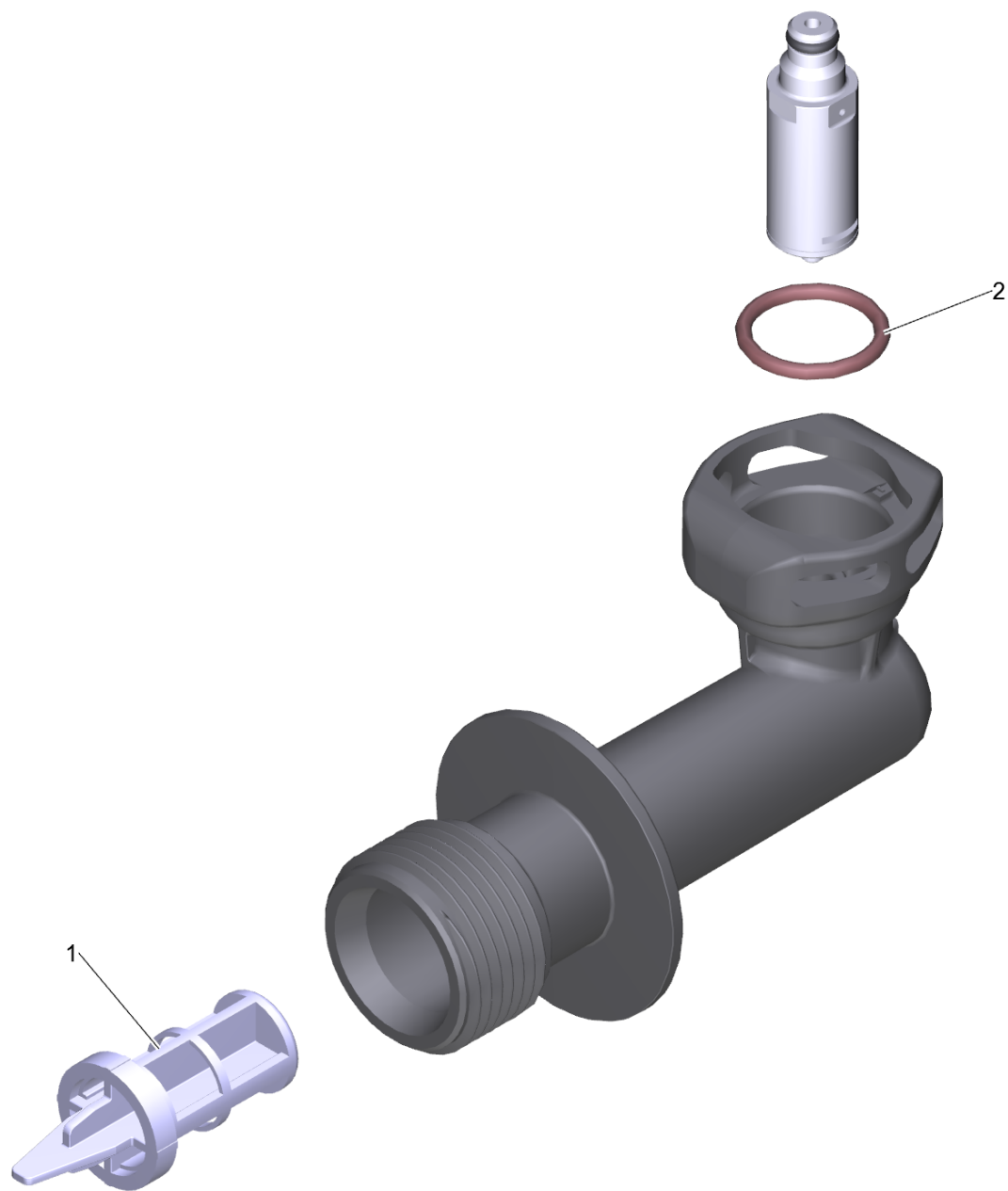
103 Gear complete lift 3,8 RV upr.

POS	Article no.	Description	Quantity	Unit
901	4.100-662.0	Spare part set planet wheel	1.000	ST
73	4.120-228.0	Wobble plate lift 4,02 (37); 6°12'	1.000	ST



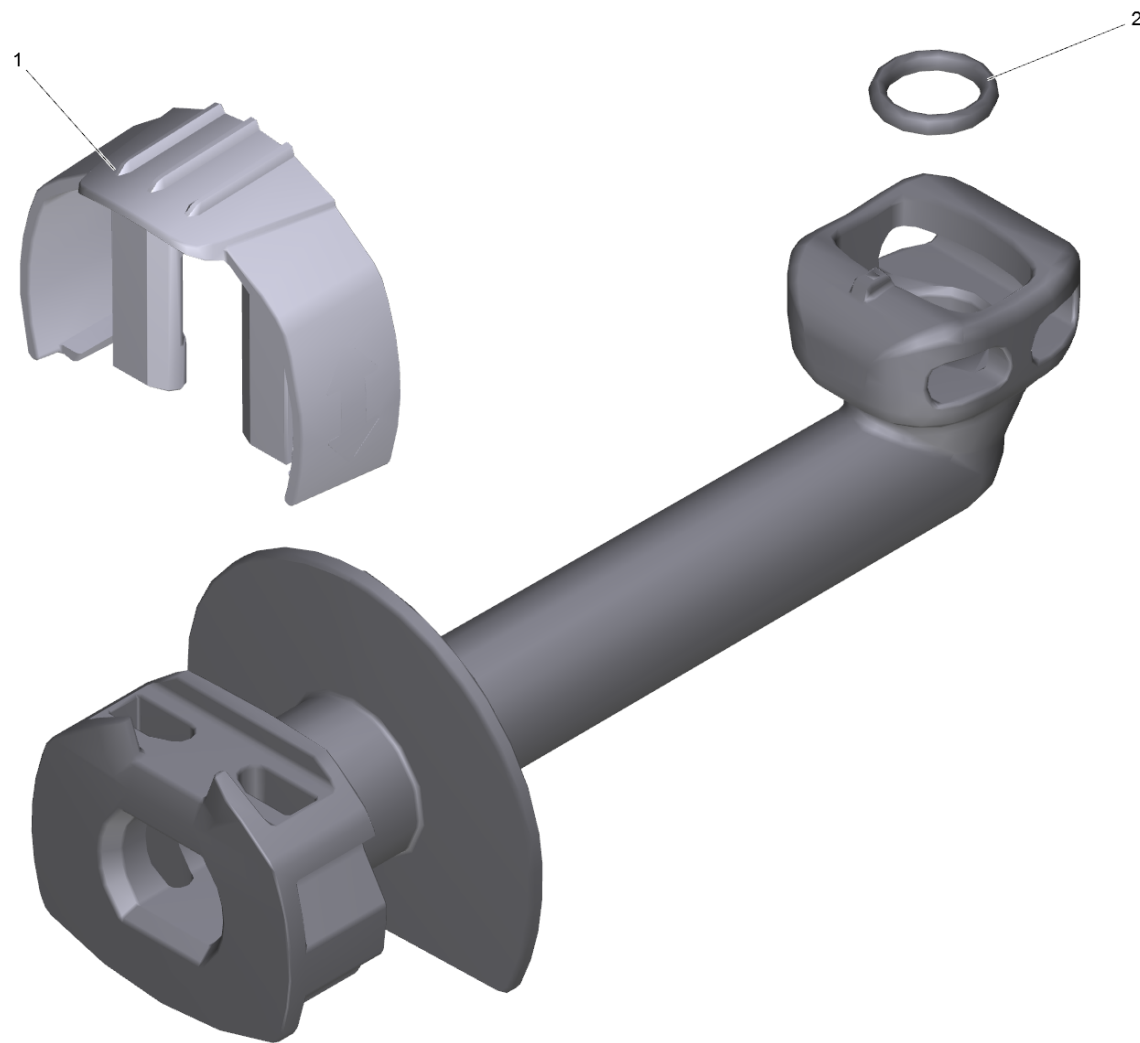
901 Spare part set planet wheel (4.100-662.0)

POS	Article no.	Description	Quantity	Unit
3	6.363-657.0	O-Ring seal 50x2.35 NBR 70	1.000	ST
4	6.362-826.0	O-Ring seal 61,6x2,62	1.000	ST



901 Suction cover for replacement with SV5 (4.063-913.0)

POS	Article no.	Description	Quantity	Unit
1	5.731-004.0	Fine filter short (2015/17)	1.000	ST
2	6.362-427.0	O-Ring seal 15,0x2,0	1.000	ST

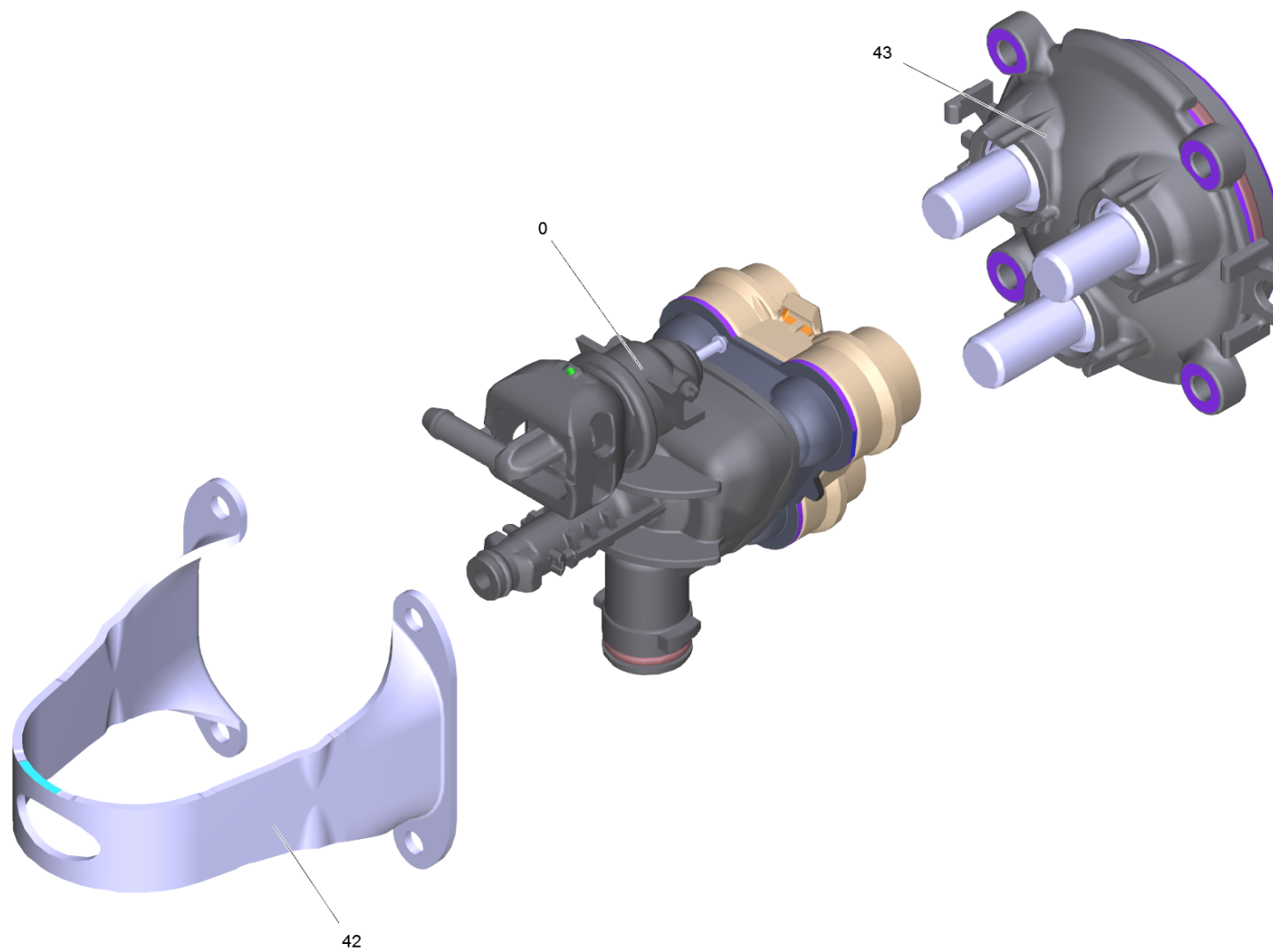


902 High-pressure outlet with clamp for repl (4.064-047.0)

POS	Article no.	Description	Quantity	Unit
1	5.037-463.0	Clamp for high-pressure outlet	1.000	ST
2	6.362-113.0	O-Ring seal 6,0 x 2,0 NBR 70	1.000	ST

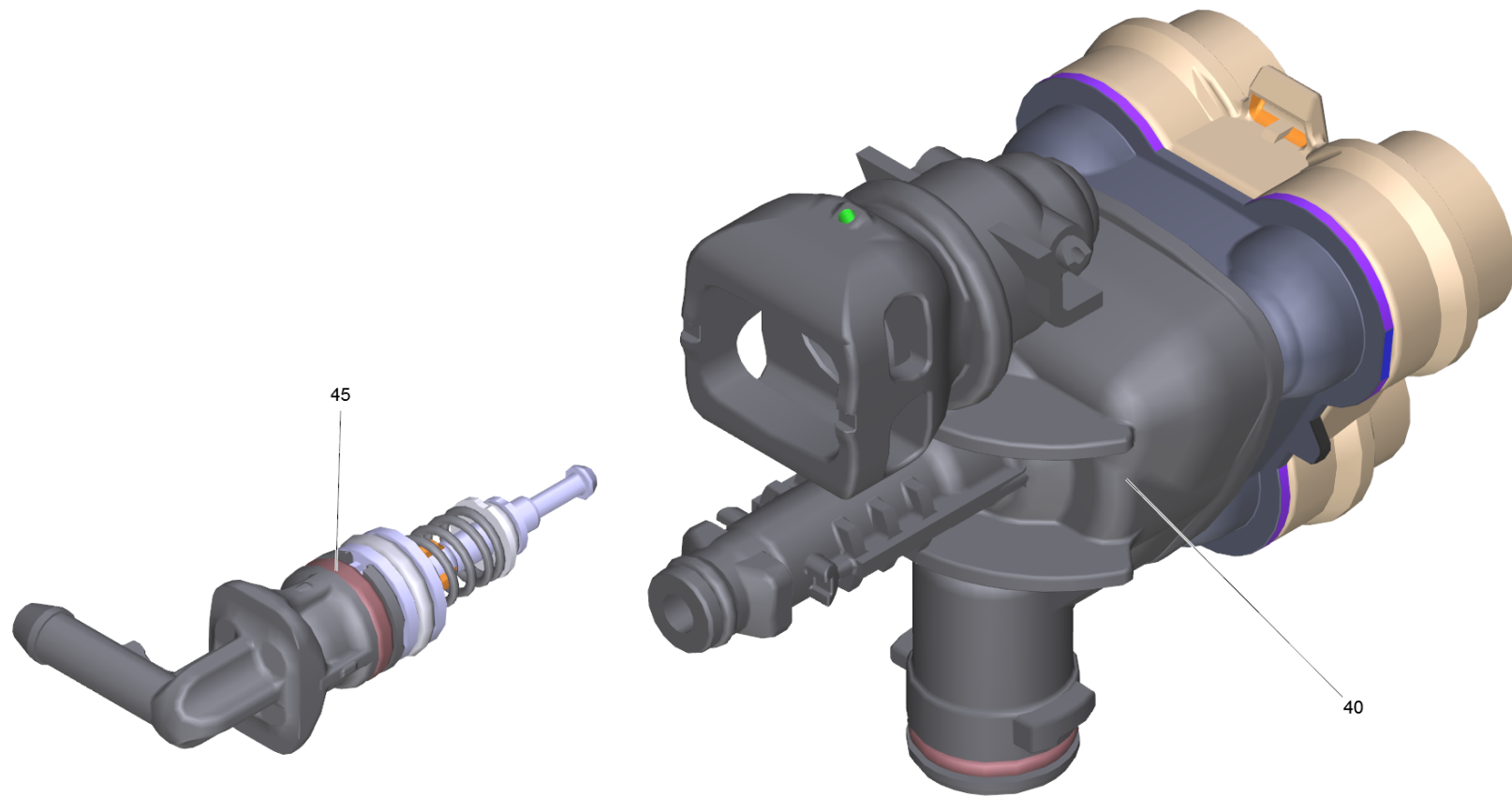
903 Cylinder head for replacement (981) RV (4.551-144.0)

POS	Description	Quantity	Unit
1	Cylinder head complete RV K2.0X	1.000	ST



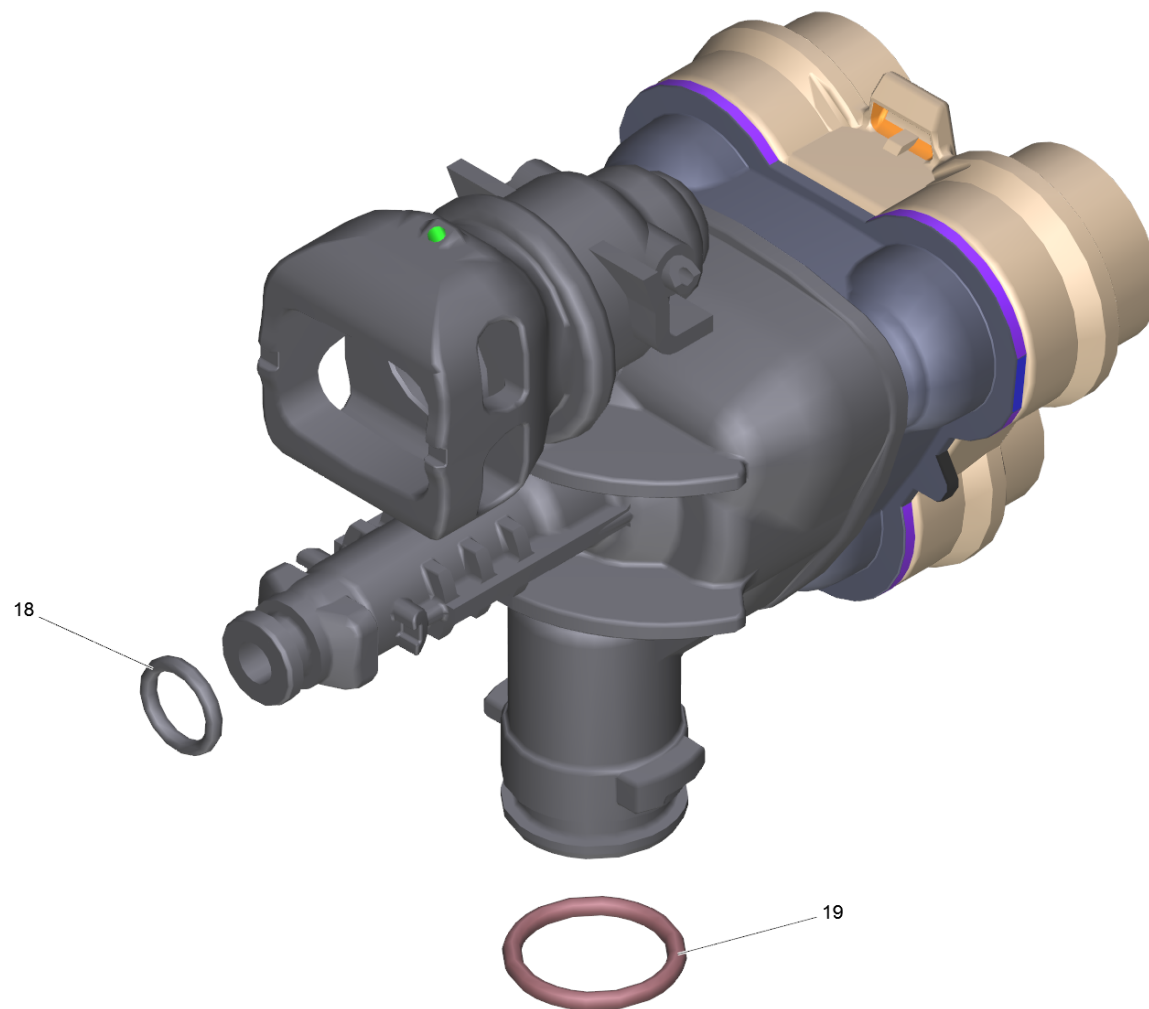
1 Cylinder head complete RV K2.0X

POS	Article no.	Description	Quantity	Unit
0	4.551-159.3	Cylinder head only for replacement	1.000	ST
42	5.051-384.0	Sheet metal component 4-fach	1.000	ST
43		Thrust guidance complete quadruple	1.000	ST



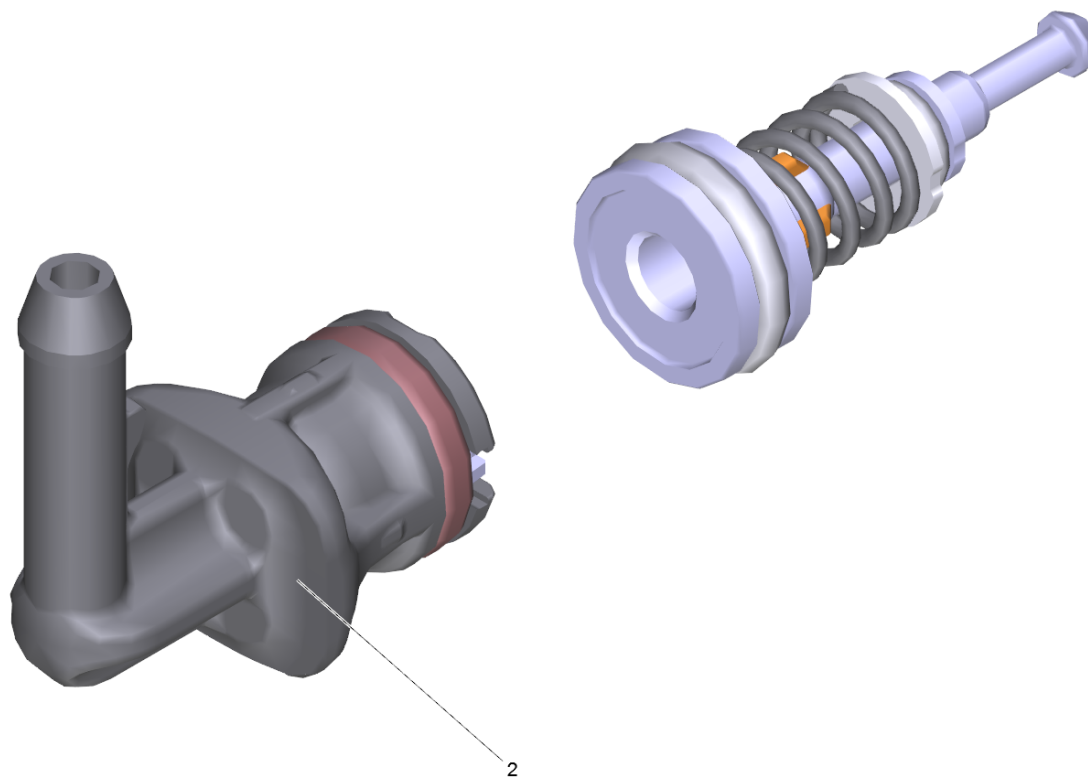
Cylinder head only for replacement (4.551-159.3)

POS	Article no.	Description	Quantity	Unit
40		Cylinder head RV K2.0X	1.000	ST
45	2.885-397.0	Spare parts set control piston with nipp	1.000	ST



40 Cylinder head RV K2.0X

POS	Article no.	Description	Quantity	Unit
18	6.362-113.0	O-Ring seal 6,0 x 2,0 NBR 70	1.000	ST
19	6.362-427.0	O-Ring seal 15,0x2,0	1.000	ST

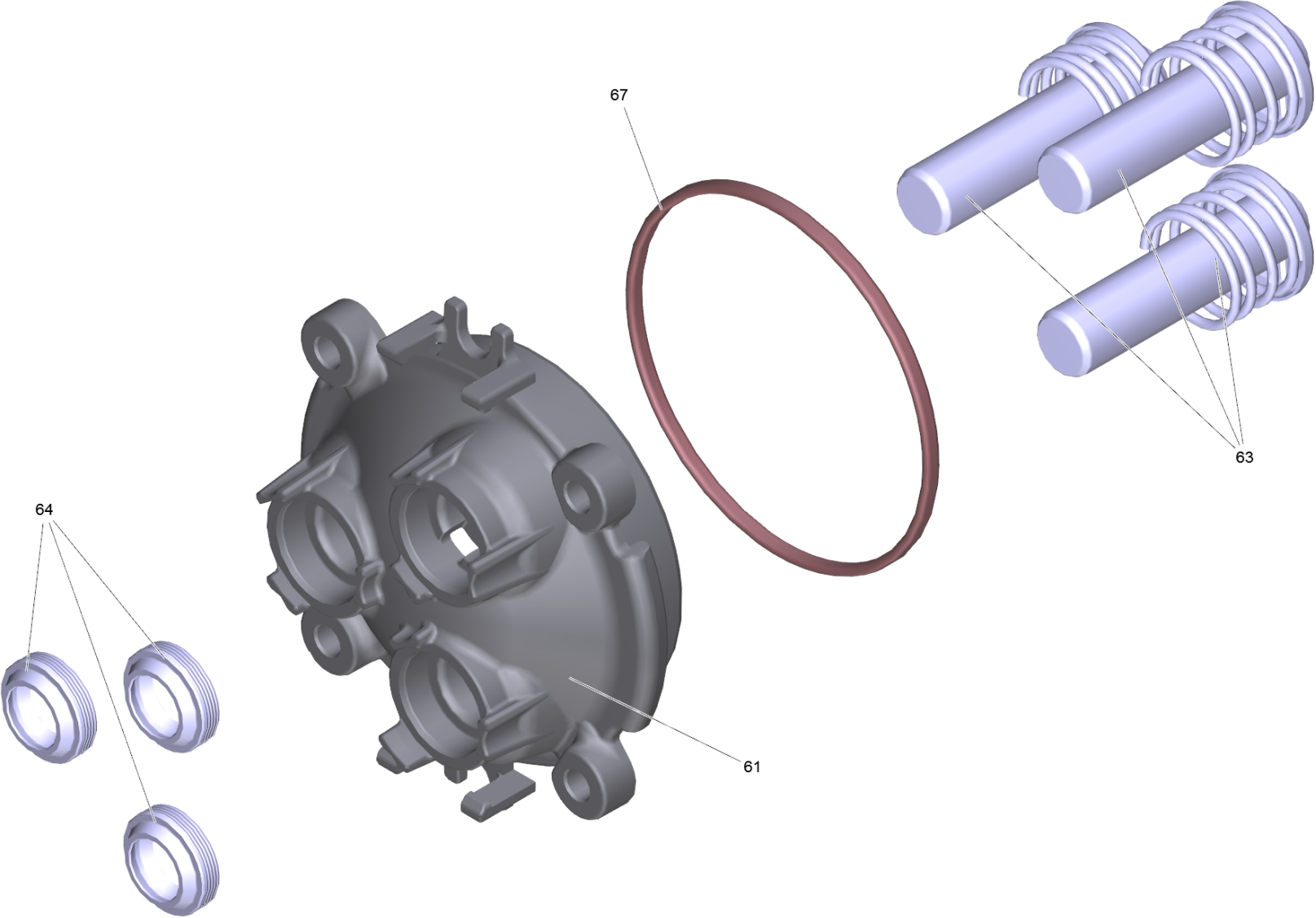


45 Spare parts set control piston with nipp (2.885-397.0)

POS	Article no.	Description	Quantity	Unit
2	2.885-396.0	Spare parts set nipple chemistry RV	1.000	ST

2 Spare parts set nipple chemistry RV (2.885-396.0)

POS	Article no.	Description	Quantity	Unit
2	6.288-088.0	Grease Molikote 55 M	1.000	ST



43 Thrust guidance complete quadruple

POS	Article no.	Description	Quantity	Unit
64	6.365-581.0	Grooved ring 12x18x4/6 NBR 75 Shore A	3.000	ST
67	6.362-826.0	O-Ring seal 61,6x2,62	1.000	ST
63	2.885-398.0	Spare parts set piston with spring RV	1.000	ST
61	5.062-412.0	Thrust guidance V2 R V	1.000	ST



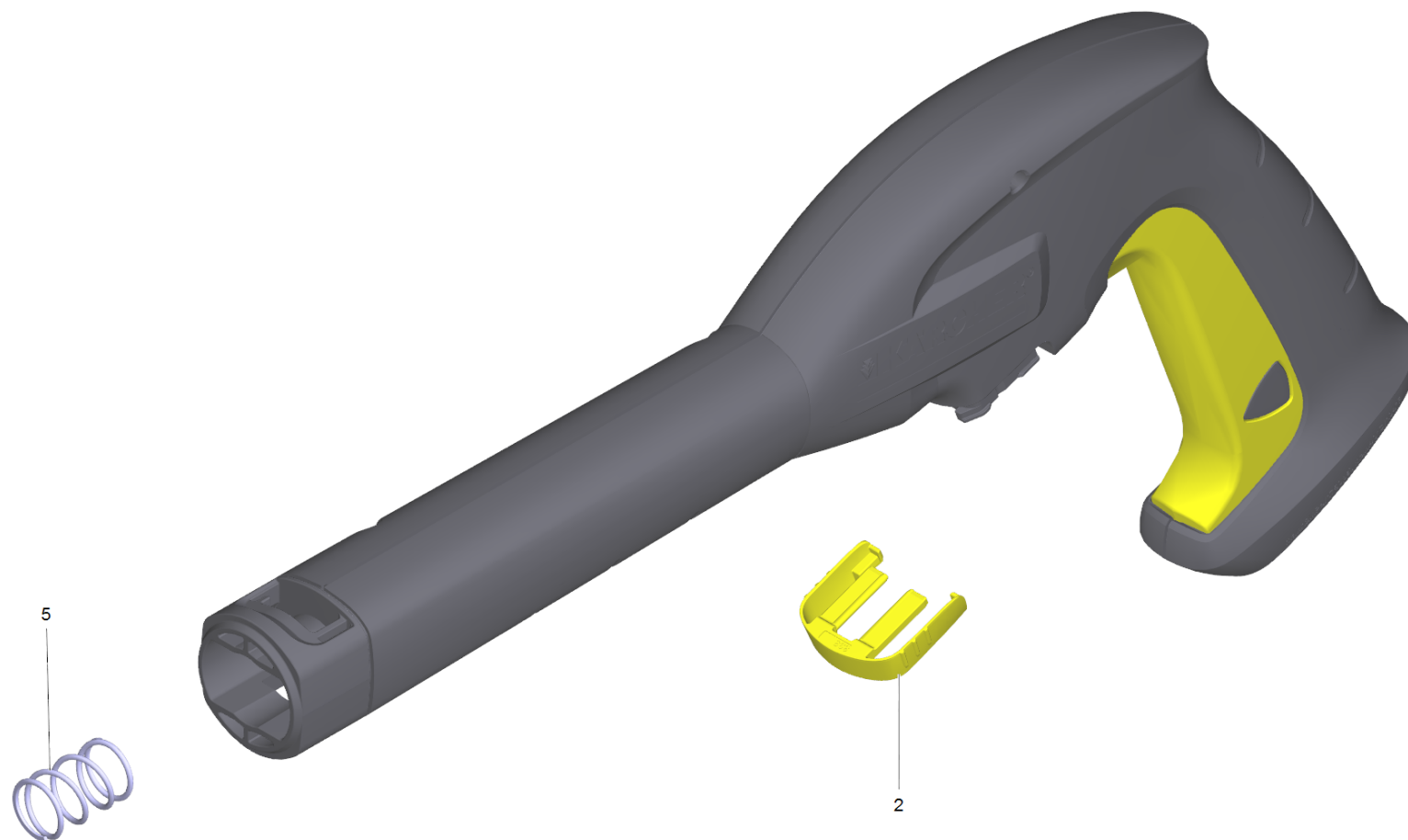
7 Dirt blaster Entry 026 St (4.764-317.0)

POS	Article no.	Description	Quantity	Unit
1	2.640-729.0	O-Ring seal set	1.000	ST



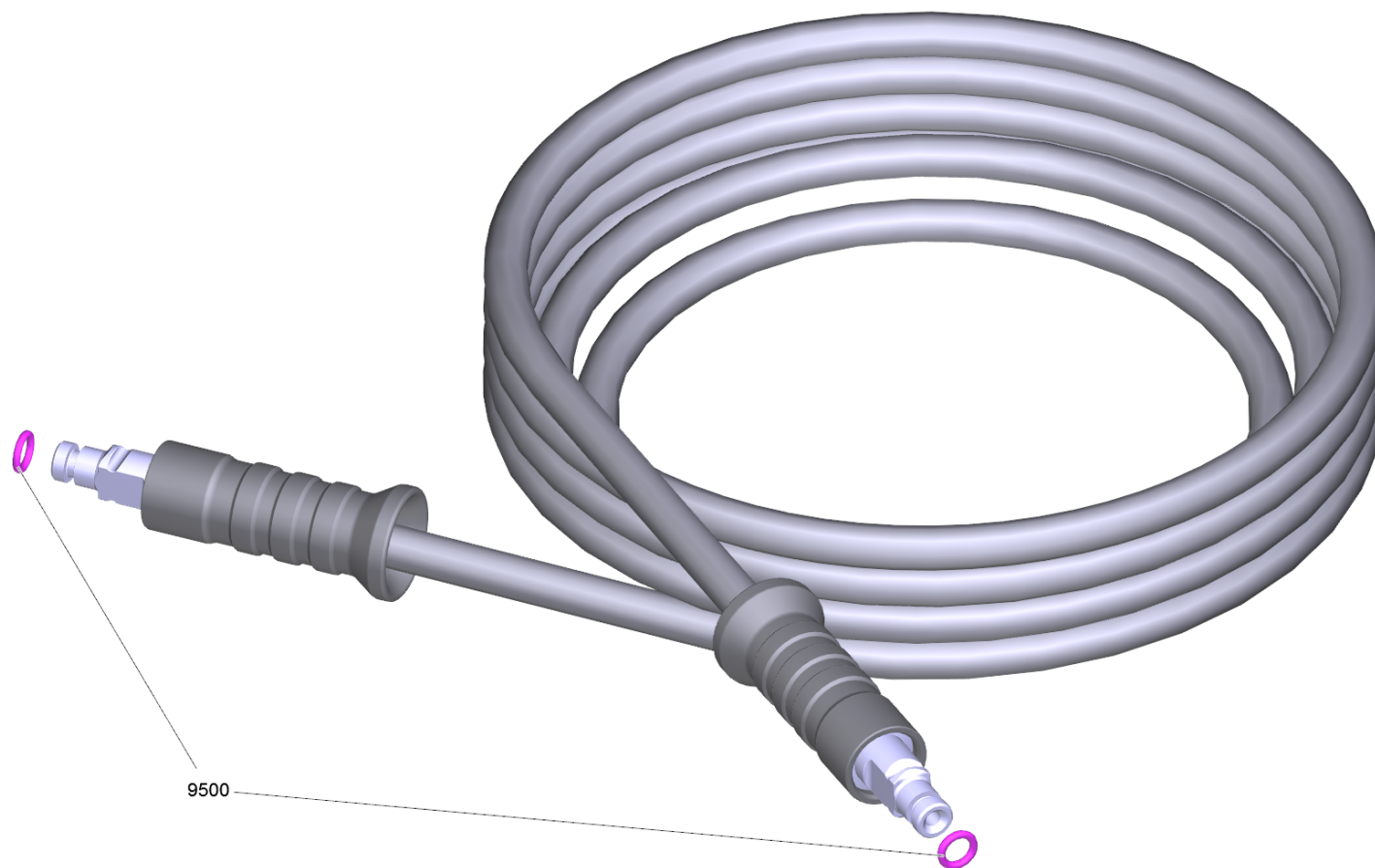
8 Jet pipe single Entry 025 K (4.760-726.0)

POS	Article no.	Description	Quantity	Unit
9500	2.640-729.0	O-Ring seal set	1.000	ST



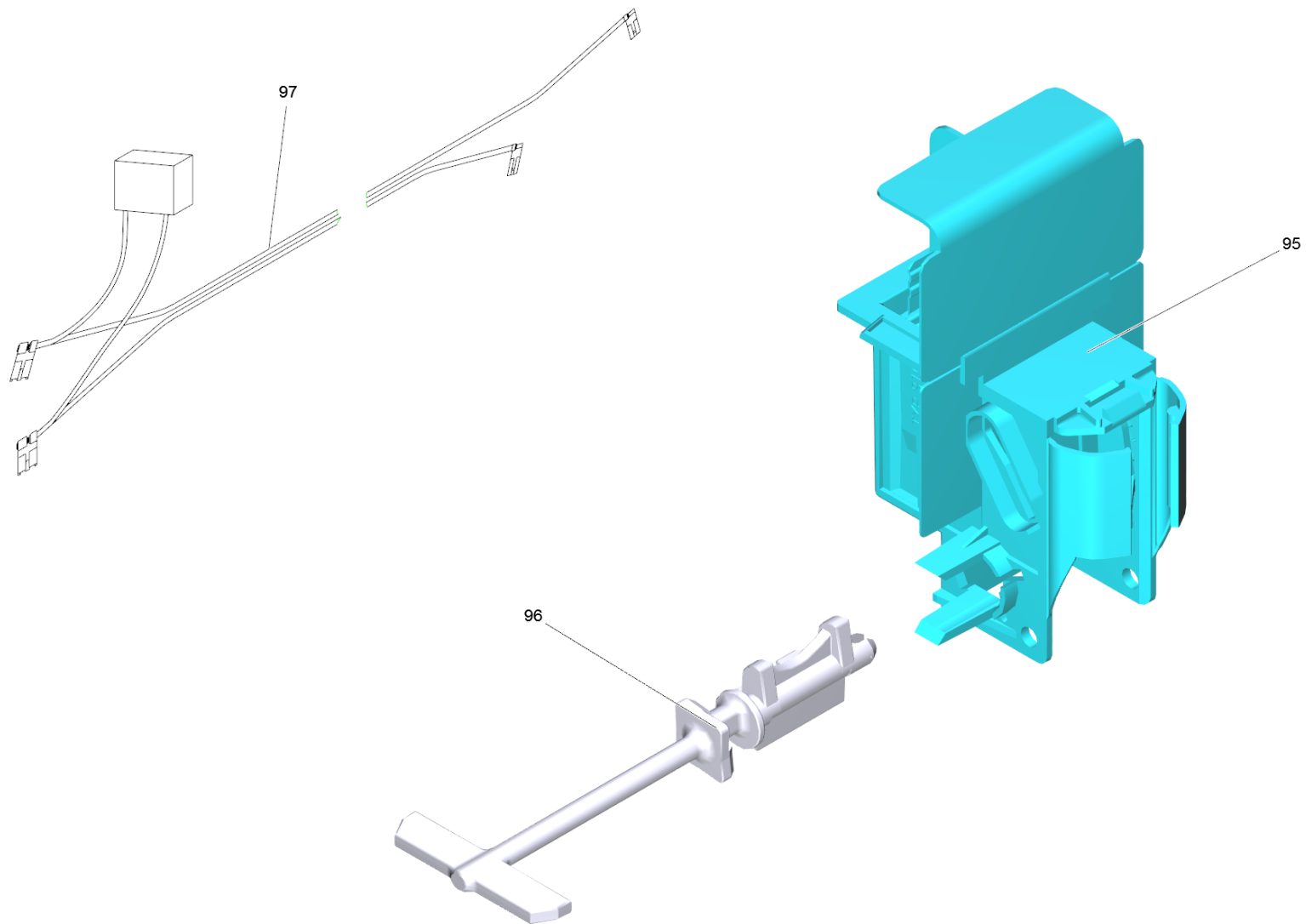
10 G 120 Q (4.775-830.0)

POS	Article no.	Description	Quantity	Unit
2	5.037-333.0	Clamp pistol Entry	1.000	ST
5	5.332-464.0	Pressure spring	1.000	ST



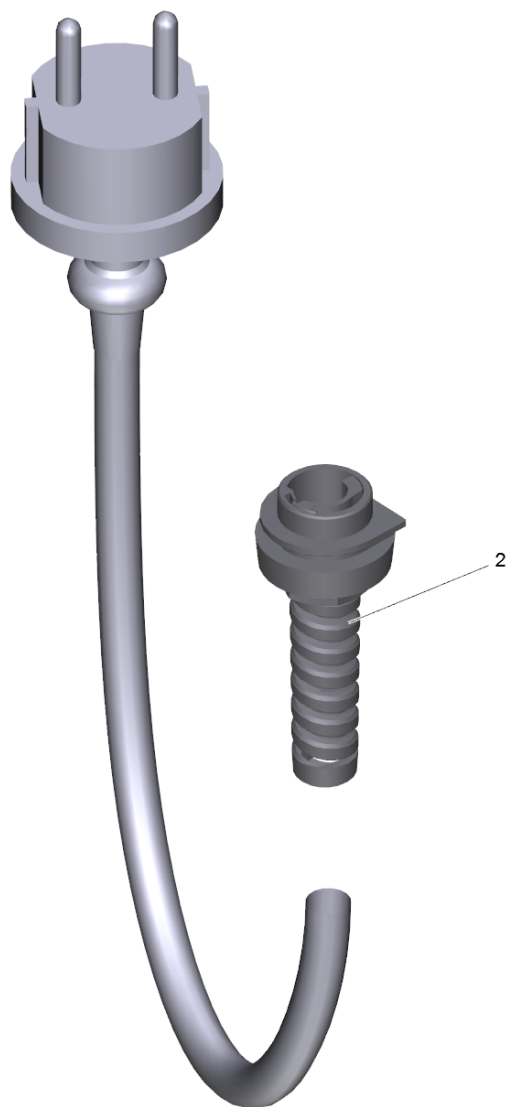
13 High pressure hose 12MPa/4 40°C QCS B (6.396-513.0)

POS	Article no.	Description	Quantity	Unit
9500	2.640-729.0	O-Ring seal set	1.000	ST



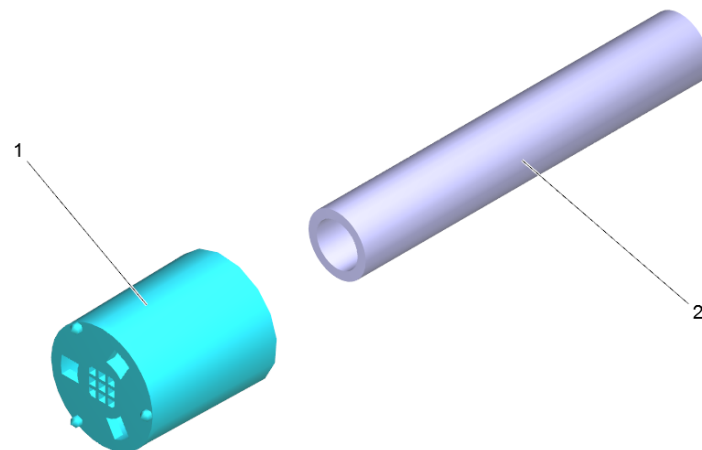
85 Switch with axle RV

POS	Article no.	Description	Quantity	Unit
96	5.105-659.0	Axle UZS 75.5mm	1.000	ST
97	6.648-389.0	Cable with capacitor 220nF (225/280mm)	1.000	ST
95	6.630-768.0	Switch replacement + UL/CSA RV	1.000	ST



87 Spare parts set strain relief with cable (2.885-475.0)

POS	Article no.	Description	Quantity	Unit
2	9.760-372.0	strain relief	1.000	ST



122 Filter with hose RM 0,50 *

POS	Article no.	Description	Quantity	Unit
1	5.731-652.0	Filter with weight	1.000	ST
2	6.388-216.0	Hose DN 5	0.500	M