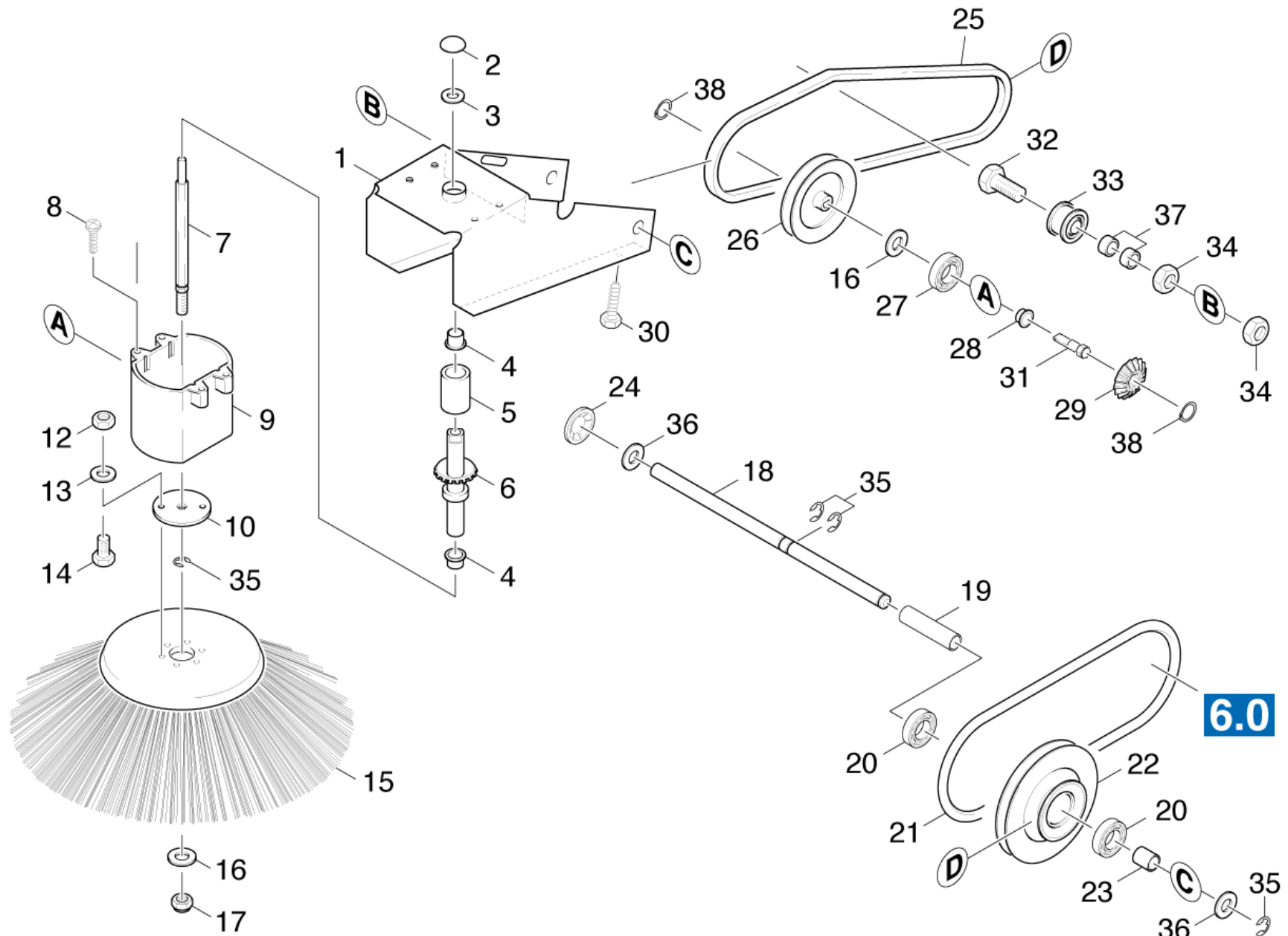


50 Transmission side broom

Professional \ Sweepers \ Electric motor \ KSM 750 BAT \ Spare parts list KSM 750 BAT \ Transmission side broom



50 Transmission side broom

Professional \ Sweepers \ Electric motor \ KSM 750 BAT \ Spare parts list KSM 750 BAT \ Transmission side broom



POS	Article no.	Description	Quantity	Unit	Serial number from	Serial number to
18	5.105-211.0	Axle side arm	1.000	ST		
7	5.105-179.0	Axle side broom	1.000	ST		
20	6.401-363.0	Ball bearing	2.000	ST		
27	7.401-174.0	Ball bearing 688-2Z -Wälzl.St DIN 625	1.000	ST		
28	6.437-485.0	Bearing bush	1.000	ST		
4	6.437-484.0	Bearing bush	2.000	ST		
26	5.625-332.0	Belt pulley	1.000	ST		
22	5.625-274.0	Belt pulley side broom	1.000	ST		
32	7.306-049.0	Cylinder head screw M 8x45-8.8-A2E ISO	1.000	ST		
33	6.435-274.0	Deflection pulley	1.000	ST		
12	7.311-003.0	Hexagon nut M6 -8-A2E ISO 4032	2.000	ST		
17	7.311-427.0	Hexagon nut M8 -04-A2E DIN 985	1.000	ST		
34	7.311-004.0	Hexagon nut M8 -8-A3E ISO 4032	2.000	ST		
6	5.100-109.0	Hollow shaft	1.000	ST		
9	5.060-553.0	Housing	1.000	ST		
38	7.343-014.0	Locking ring 8x0,8-FST-PHR DIN 471	2.000	ST		
2	6.343-129.0	Lock washer	1.000	ST		
35	7.343-205.0	Lock washer 9-St-A2E DIN 6799	4.000	ST		
29	5.352-060.0	Pinion	1.000	ST		
24	6.343-180.0	Quick-fastener	1.000	ST		
21	6.348-346.0	Round belt -SL=830	1.000	ST		
8	6.303-155.0	Screw 5x16	4.000	ST		
14	7.306-090.0	Screw M6x16 -8.8-P2R (In6Rd)	2.000	ST		
31	5.100-186.0	Shaft	1.000	ST		
1	5.048-218.0	Sheet metal component	1.000	ST	16901	
1	5.046-858.0	Sheet metal component side broom	1.000	ST		16900
30	7.303-326.0	Sheet metal screw ST3,5x9,5 -St-fIZn/nc4	1.000	ST		
15	6.951-073.0	Side broom	1.000	ST		
23	5.110-580.0	Sleeve	1.000	ST		
19	5.110-581.0	Sleeve	1.000	ST		
5	5.110-591.0	Sleeve	1.000	ST		
37	6.347-094.0	Spacer sleeve	2.000	ST		
25	6.348-324.0	V-Belt 10 X 540 LI	1.000	ST	16901	

50 Transmission side broom

Professional \ Sweepers \ Electric motor \ KSM 750 BAT \ Spare parts list KSM 750 BAT \ Transmission side broom

KÄRCHER

POS	Article no.	Description	Quantity	Unit	Serial number from	Serial number to
25	6.348-285.0	V-Belt X10	1.000	ST		16900
10	5.115-509.0	Washer	1.000	ST		
13	7.312-003.0	Washer 6 -200HV-A3E ISO 7089	2.000	ST		
3	7.312-292.0	Washer 6 -A2 ISO 7093-1	1.000	ST		
16	7.312-004.0	Washer 8 -200HV-A3E ISO 7089	2.000	ST		
36	7.312-008.0	Washer 12-200HV-A3E ISO 7089	1.000	ST		