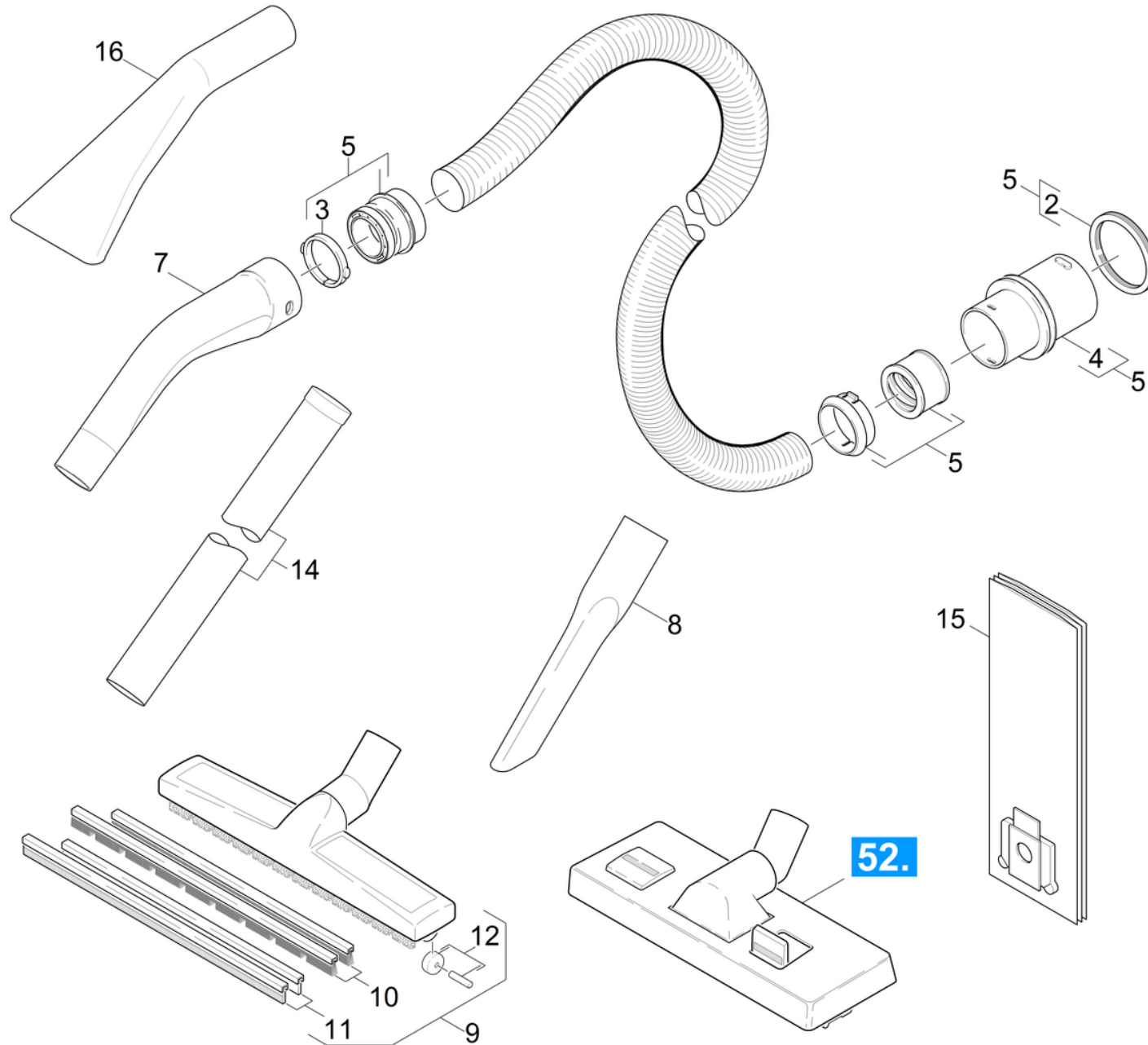


51 Accessories

Professional \ Vacuum cleaner \ Wet-/dry vacuum cleaner \ NT 40/1 Ap *EU \ Spare parts list NT 40/1 Ap *EU \ Accessories \ Accessories



51 Accessories

Professional \ Vacuum cleaner \ Wet-/dry vacuum cleaner \ NT 40/1 Ap *EU \ Spare parts list NT 40/1 Ap *EU \ Accessories \ Accessories

KÄRCHER

POS	Article no.	Description	Quantity	Unit
10	6.903-278.0	Brush strips set	1.000	ST
16	6.906-108.0	Car nozzle DN35	1.000	ST
8	6.906-240.0	Crevice nozzle DN35	1.000	ST
7	5.031-718.0	Elbow	1.000	ST
15	6.907-361.0	Filter bag fleece 55L 5St.	1.000	ST
9	6.903-284.0	Floor tool DN35	1.000	ST
4	5.443-464.0	Hosebarb	1.000	ST
2	6.273-009.0	Joint ring EPDM	1.000	ST
12	4.515-342.0	Roller complete with axle	2.000	ST
15	6.907-480.0	Set filter bags-fleece 40-55L	1.000	ST
11	6.903-277.0	Set suction lips	1.000	ST
5	6.906-241.0	Suction hose C35	1.000	ST
14	6.902-154.0	Suction tube stainless steel NW35 - 505m	2.000	ST
3	5.031-703.0	Tension ring C35	1.000	ST