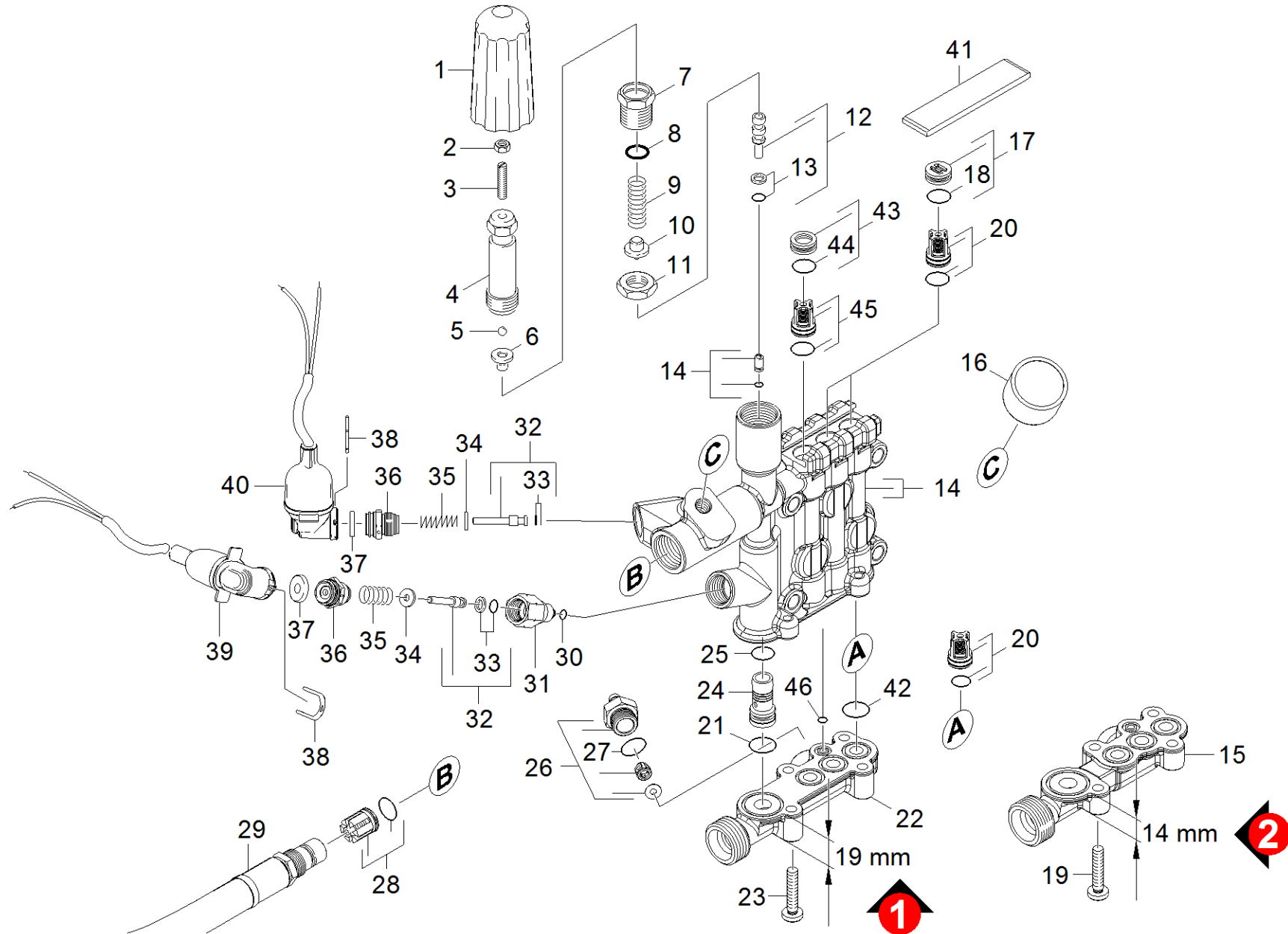


21 Cylinder head

Overview technical documents/Professional/High pressure cleaner hotwater/Electric motor/HDS 8/17 C *EU-I (1.174-309.0)/Spare parts list HDS 8/17 C/20 Pump set/21 Cylinder head



21 Cylinder head

Overview technical documents/Professional/High pressure cleaner hotwater/Electric motor/HDS 8/17 C *EU-I (1.174-309.0)/Spare parts list HDS 8/17 C/20 Pump set/21 Cylinder head

| ET/VT (spare/wear parts) | Pos | Material # | Name | Qty. | Unit |
|--------------------------|-----|-------------|--|-------|------|
| X-X | 1 | 5.322-103.0 | Handle | 1.000 | ST |
| X-X | 2 | 7.311-002.0 | Hexagon nut M5 -8-A2E ISO 4032 | 1.000 | ST |
| X-X | 3 | 7.307-017.0 | Threaded pin M5x40 -St-45H-A2E ISO 4026 | 1.000 | ST |
| X-X | 4 | 5.304-070.0 | Hexagonal head screw | 1.000 | ST |
| X-X | 5 | 7.401-931.0 | Sphere 5 KI3 -1.4401 DIN 5401 | 1.000 | ST |
| X-X | 6 | 5.582-121.0 | Valve disc | 1.000 | ST |
| X-X | 7 | 5.404-082.0 | Hollow screw | 1.000 | ST |
| X-X | 8 | 6.362-079.0 | O-Ring seal 18,0 X 2,5 | 1.000 | ST |
| X-X | 9 | 5.332-444.0 | Helical spring | 1.000 | ST |
| X-X | 10 | 5.584-114.0 | Valve pin | 1.000 | ST |
| X-X | 11 | 5.311-204.0 | Hexagon nut M22x1,5 | 1.000 | ST |
| X-X | 12 | 4.553-198.0 | Piston complete only for replacement | 1.000 | ST |
| X-X | 13 | 6.362-468.0 | O-Ring seal complete 1ST.-R. | 1.000 | ST |
| X | 14 | 4.550-998.0 | Cylinder head complete only for replacem | 1.000 | ST |
| X | 15 | 5.427-469.0 | Manifold water intake | 1.000 | ST |
| X-X | 16 | 4.422-991.0 | Pressure gauge complete only for replace | 1.000 | ST |
| X-X | 17 | 4.132-007.0 | Drain plug only for replacement | 3.000 | ST |
| | 18 | 6.362-458.0 | O-Ring seal 11,0x2,0-NBR 70 | 3.000 | ST |
| | 19 | 7.306-094.0 | Screw M6x25 -8.8-R3R (In6Rd) | 4.000 | ST |
| X-X | 20 | 2.884-916.0 | Valve (3 Stück) | 2.000 | ST |
| X-X | 21 | 6.363-536.0 | O-Ring seal 21x1,5 | 1.000 | ST |
| X | 22 | 5.427-438.0 | Manifold water intake | 1.000 | ST |
| X-X | 23 | 7.306-105.0 | Screw M6x30 -8.8-R3R (In6Rd) | 4.000 | ST |
| X-X | 24 | 5.110-800.0 | Sleeve | 1.000 | ST |
| X-X | 25 | 6.362-381.0 | O-Ring seal 13x2 - NBR 70 | 1.000 | ST |

21 Cylinder head

Overview technical documents/Professional/High pressure cleaner hotwater/Electric motor/HDS 8/17 C *EU-I (1.174-309.0)/Spare parts list HDS 8/17 C/20 Pump set/21 Cylinder head

| ET/VT (spare/wear parts) | Pos | Material # | Name | Qty. | Unit |
|--------------------------|-----|-------------|--|-------|------|
| X-X | 26 | 4.580-581.0 | Valve complete | 1.000 | ST |
| | 27 | 6.362-427.0 | O-Ring seal 15,0x2,0 | 1.000 | ST |
| X-X | 28 | 4.580-594.0 | Valve complete | 1.000 | ST |
| X-X | 29 | 4.440-895.0 | Hose SDS | 1.000 | ST |
| X-X | 30 | 6.362-853.0 | O-Ring seal 4,47x1,78 | 1.000 | ST |
| X-X | 31 | 5.402-705.0 | Joining piece | 1.000 | ST |
| X-X | 32 | 4.553-197.0 | Piston complete only for replacement | 2.000 | ST |
| X-X | 33 | 6.363-037.0 | O-Ring seal complete 1ST.-R. | 2.000 | ST |
| X-X | 34 | 5.115-796.0 | Washer | 2.000 | ST |
| X-X | 35 | 5.332-268.0 | Helical spring | 2.000 | ST |
| X-X | 36 | 5.411-148.0 | Screw plug | 2.000 | ST |
| X-X | 37 | 5.367-030.0 | Diaphragm | 2.000 | ST |
| X-X | 38 | 5.034-494.0 | Retaining bracket | 2.000 | ST |
| X-X | 39 | 4.744-225.0 | Switch complete | 1.000 | ST |
| X-X | 40 | 4.744-224.0 | Switch complete | 1.000 | ST |
| | 41 | 5.003-062.0 | Plate | 1.000 | ST |
| X-X | 42 | 6.362-533.0 | O-Ring seal 14,0 X 1,5-NBR 70 | 3.000 | ST |
| X | 43 | 4.132-015.0 | Drain plug complete only for replacement | 1.000 | ST |
| X-X | 44 | 6.362-481.0 | O-Ring seal 14,0 x 2,0 NBR 80 | 1.000 | ST |
| | 45 | 4.580-295.0 | Valve complete | 1.000 | ST |
| X-X | 46 | 6.362-703.0 | O-Ring seal 6,0x1,5-NBR 70 | 1.000 | ST |
| X-X | 100 | 2.884-009.0 | Pump set | 1.000 | ST |