

## **Spare parts list**

(5.970-384.0) Spare parts list HD 6/15 CX HD 7/18 CX

## Table of contents

---

Spare parts list HD 6/15 CX HD 7/18 CX (5.970-384.0)	4
10 Housing	5
11 Housing	6
12 Hose reel	9
2 Set (4.515-104.0)	11
14 Set (4.515-105.0)	13
20 Pump set	15
21 Cylinder head	16
8 Valve (3 Stück) (2.884-916.0)	19
11 Drain plug only for replacement (4.132-007.0)	21
22 Valve pin complete (4.584-022.0)	23
23 Nozzle insert only for replacement (4.769-034.0)	25
23 Nozzle insert (4.769-035.0)	27
26 Overflow valve (4.591-038.0)	29
31 Spindle complete (4.291-014.0)	30
100 PUMP SET HD 5/12 C (2.883-997.0)	32
20 Valve (3 Stück) (2.884-916.0)	34
100 Pump set HD 6/15 C (2.885-242.0)	36
10 Drain plug only for replacement (4.132-007.0)	38
20 Valve (3 Stück) (2.884-916.0)	40
22 Cylinder head	42
8 Valve (3 Stück) (2.884-916.0)	46
11 Drain plug only for replacement (4.132-007.0)	48
17 SPARE PARTS SET (2.883-988.0)	50
21 Valve pin complete (4.584-022.0)	52
23 Nozzle insert only for replacement (4.769-034.0)	54
23 Nozzle insert (4.769-035.0)	56
25 Spare part set (2.884-551.0)	58
26 Spare part set overflow valve (2.884-550.0)	59
30 Valve seat complete (4.481-226.0)	60
100 Pump set HD 7/18C (2.885-017.0)	62
1 Valve (3 Stück) (2.884-916.0)	63
7 Drain plug only for replacement (4.132-007.0)	65
23 Thrust guidance	67
30 Motor	70
40 Accessories	73
41 Hand trigger gun	74
1 HAND TRIGGER GUN EASY PRESS (4.775-463.0)	76

## Table of contents

---

9002 Lever complete (4.481-209.0)	78
4 Lever complete (4.481-209.0)	80
42 Hand trigger gun	82
1 Hand trigger gun (4.775-466.0)	84
60 Adapter pipelines AVS-M22x1,5 (4.421-739.3)	86
9002 Lever complete (4.481-209.0)	88
4 Lever complete (4.481-209.0)	90
9 Adapter pipelines AVS-M22x1,5 (4.421-739.3)	92
43 Jet pipe	94
1 Jet pipe packaged only for replacement (4.760-663.0)	96
44 Nozzle	98
45 Nozzle	100
Triple jet nozzle replacement 034 (4.767-147.0)	102
2 Spare parts list triple jet nozzle (5.970-837.0)	103
10 Triple jet nozzle plastics	104
20 Triple jet nozzle brass	106
Triple jet nozzle only for replacement 0 (4.767-151.0)	108
2 Spare parts list triple jet nozzle (5.970-837.0)	109
10 Triple jet nozzle plastics	110
20 Triple jet nozzle brass	112
Triple jet nozzle only for replacement 0 (4.767-152.0)	114
Triple jet nozzle only for replacement 0 (4.767-153.0)	116
2 Spare parts list triple jet nozzle (5.970-837.0)	117
10 Triple jet nozzle plastics	118
20 Triple jet nozzle brass	120
Triple jet nozzle only for replacement 0 (4.767-157.0)	122
2 Spare parts list triple jet nozzle (5.970-837.0)	123
10 Triple jet nozzle plastics	124
20 Triple jet nozzle brass	126
46 Nozzle	128
50 Electric box	130
51 Electric box	131
52 Electric box	134

Spare parts list HD 6/15 CX HD 7/18 CX (5.970-384.0)

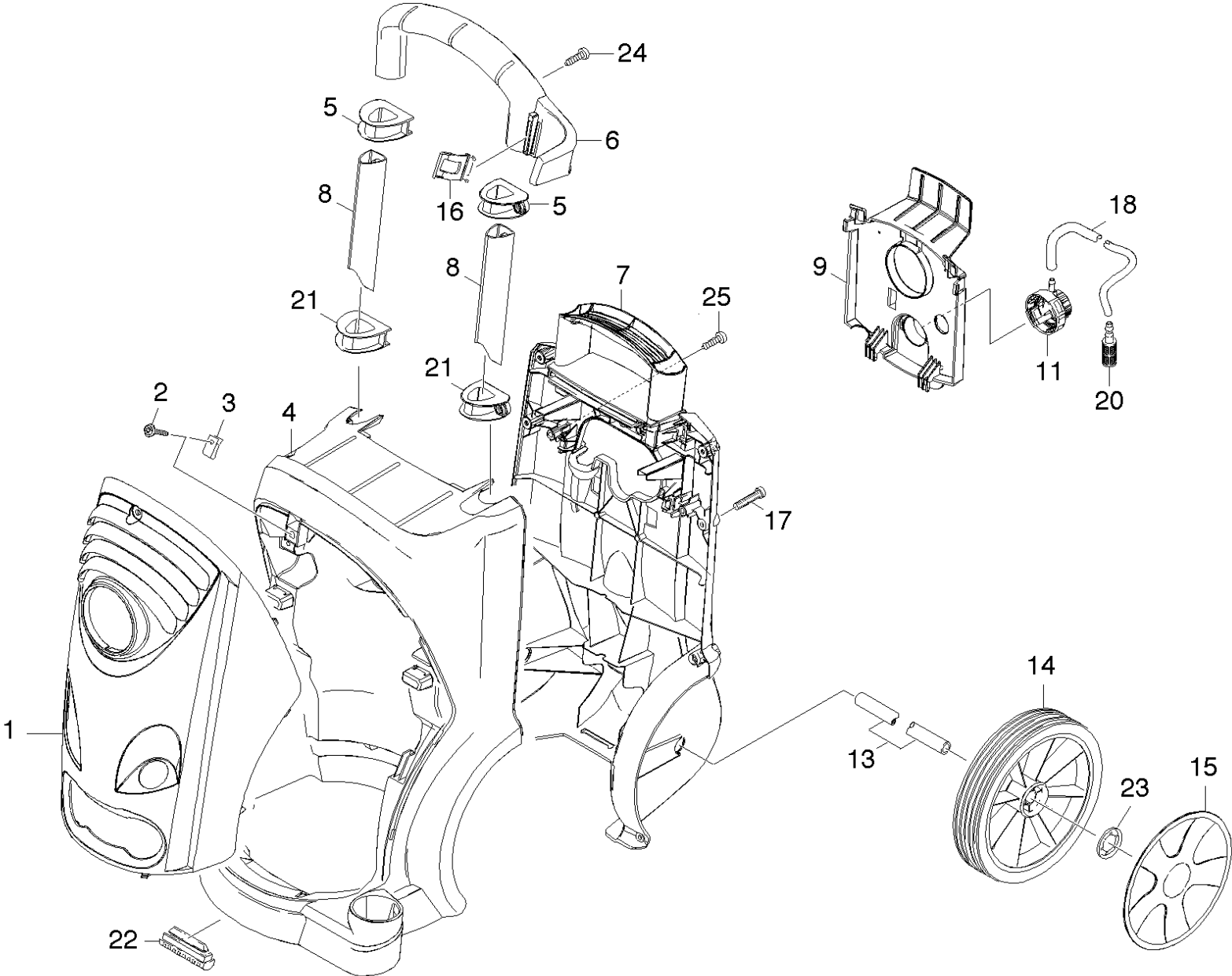
---

<b>POS</b>	<b>Description</b>	<b>Quantity</b>	<b>Unit</b>
10	Housing	1	PC
20	Pump set	1	PC
30	Motor	1	PC
40	Accessories	1	PC
50	Electric box	1	PC

## 10 Housing

---

<b>POS</b>	<b>Description</b>	<b>Quantity</b>	<b>Unit</b>
11	Housing	1	PC
12	Hose reel	1	PC



## 11 Housing

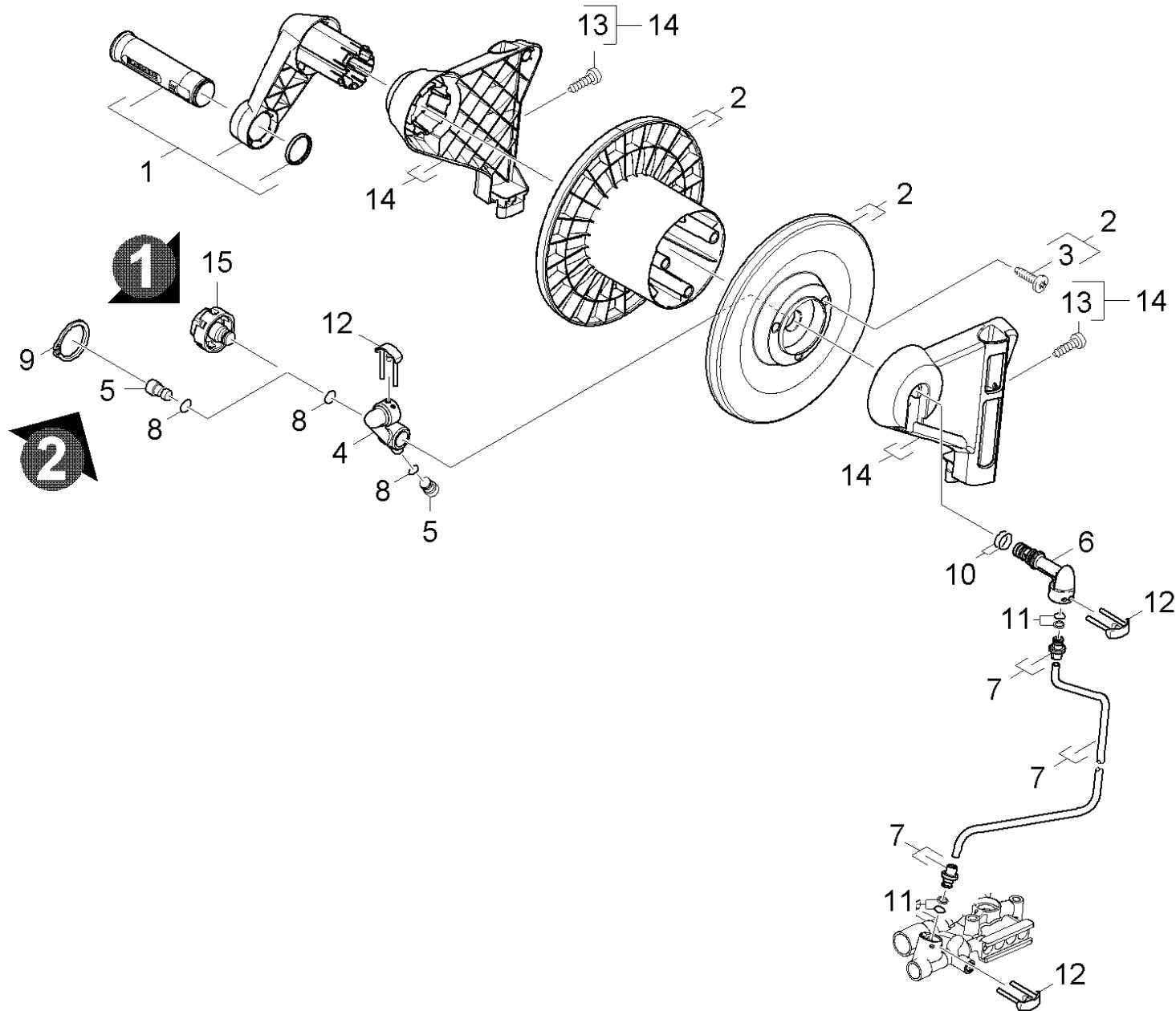
POS	Article no.	Description	Quantity	Unit	Foot note text
1	5.069-121.0	Device cover	1	PC	
	<b>Item text1:</b> 1.150-651.0/-652.0/-653.0/-654.0/-657.0 1.151-651.0/-652.0/-653.0/-654.0/ 1.214-126.0				
1	5.069-202.0	Device cover	1	PC	
	<b>Item text1:</b> 1.151-611.0				
2	6.304-099.0	Saucer-head screw M 6x 18-4.8-R2R	1	PC	
3	6.310-053.0	Putting nut	1	PC	
4	5.050-206.3	Frame front part	1	PC	
5	5.032-554.0	Guide	2	PC	
6	5.321-721.0	Hand grip	1	PC	
7	5.050-207.0	Frame rear panel	1	PC	
8	5.107-248.0	Bar shearing shackle	2	PC	
9	5.032-648.0	Covering cap	1	PC	
11	4.063-778.0	Proportioning valve chemistry	1	PC	
13	5.105-399.0	Axle	1	PC	
14	6.435-756.0	Wheel grey D200	2	PC	
	<b>Item text1:</b> 1.151-611.0				
14	6.435-662.0	Wheel D200	2	PC	
	<b>Item text1:</b> 1.150-651.0/-652.0/-653.0/-654.0/-657.0 1.151-651.0/-652.0/-653.0/-654.0/ 1.214-126.0				
15	4.515-103.0	Spare parts set wheel cap	1	PC	SET OF 2 PIECES
	<b>Item text1:</b> 1.150-651.0/-652.0/-653.0/-654.0/-657.0 1.151-651.0/-652.0/-653.0/-654.0/ 1.214-126.0				
15	4.515-273.0	Spare parts set wheel cap	1	PC	SET OF 2 PIECES
	<b>Item text1:</b> 1.151-611.0				
16	5.044-216.0	Holder	1	PC	
17	7.303-108.0	Screw 5x20 -10.9-R2R (In6Rd)	10	PC	
18	6.388-216.0	Hose DN 5	1	m	TO ORDER AS CUT GOODS
20	5.731-652.0	Filter with weight	1	PC	
21	5.032-555.0	Guide	2	PC	
22	5.057-062.0	Support	2	PC	
	<b>Item text1:</b> 1.150-651.0/-652.0/-653.0/-654.0/-657.0 1.151-651.0/-652.0/-653.0/-654.0/ 1.214-126.0				
22	5.057-077.0	Support	2	PC	
	<b>Item text1:</b> 1.151-611.0				
23	6.343-168.0	Lock washer	2	PC	
24	7.303-046.0	Screw M6x12 -St-R3R (In6Rd)	2	PC	

## 11 Housing

---

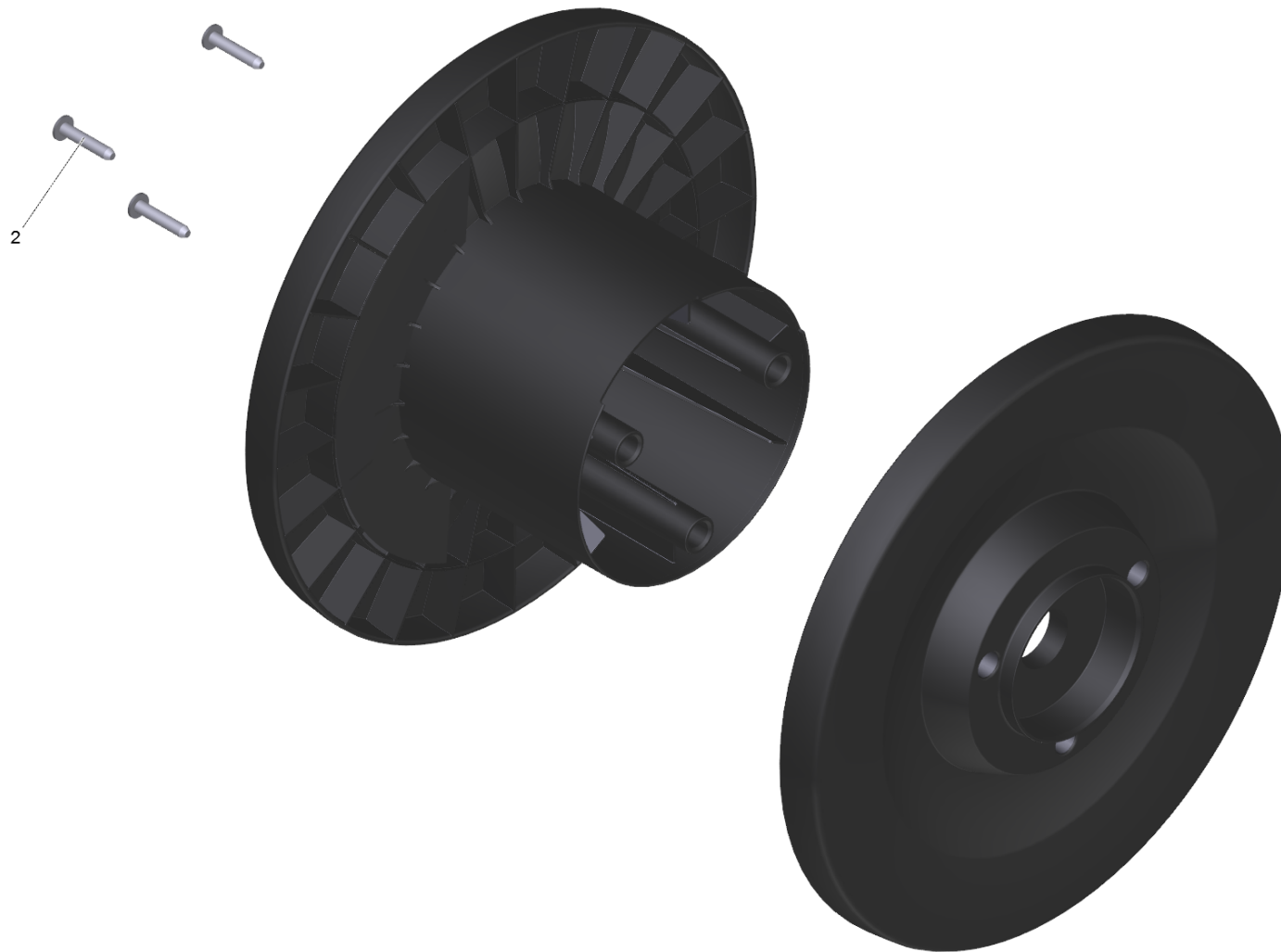
<b>POS</b>	<b>Article no.</b>	<b>Description</b>	<b>Quantity</b>	<b>Unit</b>	<b>Foot note text</b>
25	7.303-156.0	Screw M6x40 -St-P3R (In6Rd)	2	PC	





## 12 Hose reel

POS	Article no.	Description	Quantity	Unit	Remark
1	4.481-213.0	Crank complete	1	PC	
2	4.515-104.0	Set	1	PC	
3	7.303-109.0	Screw 5x25 -10.9-R2R (In6Rd)	3	PC	
4	5.427-326.0	Manifold	1	PC	
5	5.411-161.0	CLOSING SCREW M10X1	2	PC	
6	5.427-328.0	Manifold	1	PC	
7	4.421-838.0	Pipelines complete	1	PC	
	<b>Item text1:</b> 1.150-651.0/ -652.0/ -653.0/ -654.0 /				
	<b>Item text2:</b> 1.150-657.0 1.214-126.0				
7	4.421-959.0	Pipelines complete	1	PC	
	<b>Item text1:</b> 1.151-611.0/ -651.0/ -652.0 / -653.0 / -654.0 / -655.0 / -656.0 /				
8	6.362-703.0	O-Ring seal 6,0x1,5-NBR 70	2	PC	
9	7.343-018.0	Locking ring 18x1,2-Rf-St DIN 471	1	PC	VERSION 2
10	4.363-693.0	O-Ring seal kpl. -nur fuer Ersatz-	2	PC	
11	4.363-691.0	O-Ring seal kpl. -nur fuer Ersatz-	2	PC	
12	4.037-013.0	Hook	3	PC	
13	7.303-046.0	Screw M6x12 -St-R3R (In6Rd)	2	PC	
14	4.515-105.0	Set	1	PC	
15	7.343-018.0	Locking ring 18x1,2-Rf-St DIN 471	1	PC	VERSION 1



2 Set (4.515-104.0)

---

POS	Article no.	Description	Quantity	Unit
2	7.303-109.0	Screw 5x25 -10.9-R2R (In6Rd)	3	PC



14 Set (4.515-105.0)

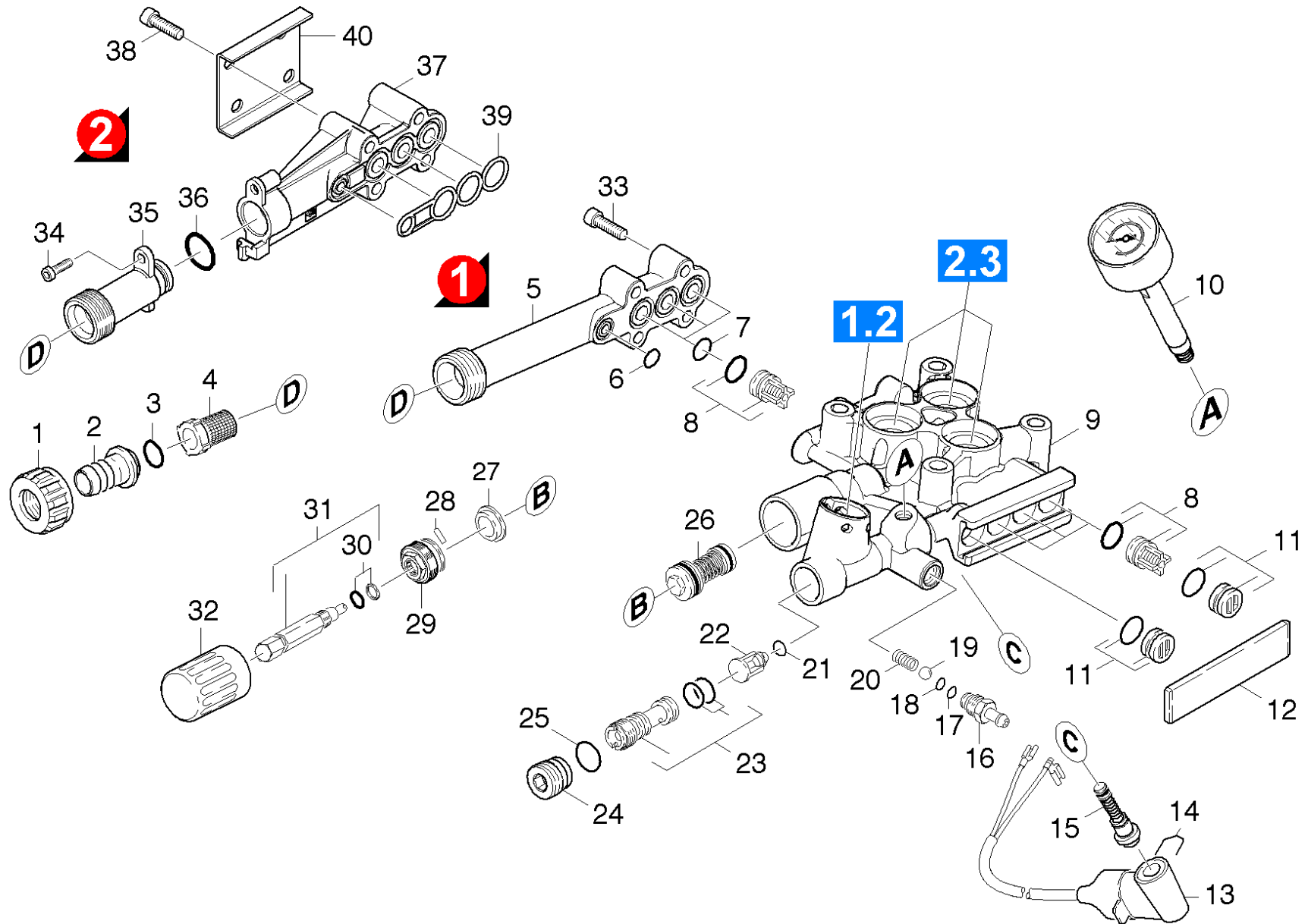
---

POS	Article no.	Description	Quantity	Unit
4	7.303-046.0	Screw M6x12 -St-R3R (In6Rd)	3	PC

## 20 Pump set

---

POS	Description	Quantity	Unit	Remark
21	Cylinder head	1	PC	HD 5/17 CX; HD 6/15 CX
22	Cylinder head	1	PC	HD 7/10 CXF / HD 7/15 CX / HD 7/18 CX
23	Thrust guidance	1	PC	



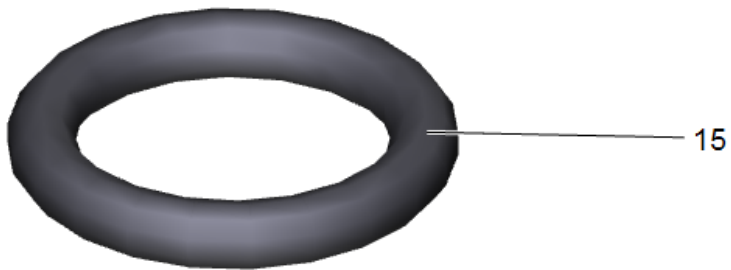
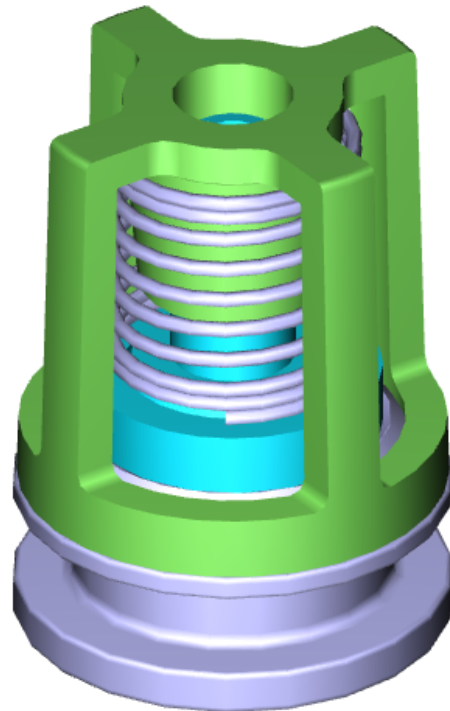


## 21 Cylinder head

POS	Article no.	Description	Quantity	Unit	Foot note text
1	5.310-065.0	Nut	1	PC	
2	5.443-229.0	Hose stem	1	PC	
3	6.362-078.0	O-Ring seal 13,3x2,4	1	PC	
4	6.414-252.0	Strainer	1	PC	
5	5.064-150.0	Suction cover	1	PC	
6	6.362-384.0	O-Ring seal 9x1,5 - NBR 70	1	PC	
7	6.362-533.0	O-Ring seal 14,0 X 1,5-NBR 70	3	PC	
8	2.884-916.0	Valve (3 Stück)	2	PC	
9	5.550-322.3	Cylinder head	1	PC	
	<b>Item text1:</b> 1.150-651.0 / -652.0 / -653.0 / -654.0 /				
	<b>Item text2:</b> 1.150-657.0 / 1.214-126.0				
10	6.421-349.3	Pressure gauge 0-30 MPa	1	PC	
11	4.132-007.0	Drain plug only for replacement	4	PC	
12	5.003-062.0	Plate	1	PC	
13	4.744-168.0	Switch complete	1	PC	
14	5.034-494.0	Retaining bracket	1	PC	
15	2.884-501.0	Spare part set control piston	1	PC	
16	5.443-624.0	Nipple	1	PC	
17	6.362-113.0	O-Ring seal 6,0 x 2,0 NBR 70	1	PC	
18	6.363-597.0	O-Ring seal 5,28 x 1,78	1	PC	
19	7.401-908.0	Sphere 7 G300 -1.4301 DIN 5401	1	PC	
20	5.332-258.0	Helical spring	1	PC	
21	6.363-613.0	O-Ring seal 4 x 2 -NBR90	1	PC	
22	4.584-022.0	Valve pin complete	1	PC	
23	4.769-034.0	Nozzle insert only for replacement	1	PC	
	<b>Item text1:</b> 1.214-126.0				
23	4.769-035.0	Nozzle insert	1	PC	
	<b>Item text1:</b> 1.150-651.0 /-652.0 /-653.0 /-654.0				
	<b>Item text2:</b> /-657.0				
24	5.411-171.0	Screw plug	1	PC	
25	6.362-480.0	O-Ring seal 12,42x 1,78	1	PC	
26	4.591-038.0	Overflow valve	1	PC	
27	5.110-630.0	Sleeve	1	PC	

## 21 Cylinder head

POS	Article no.	Description	Quantity	Unit	Foot note text
28	7.314-629.0	Grooved pin 2x10 -A1 ISO 8742	1	PC	
29	5.583-147.0	Valve screw	1	PC	
30	6.362-468.0	O-Ring seal complete 1ST.-R.	1	PC	
31	4.291-014.0	Spindle complete	1	PC	
32	5.321-307.0	Handhold	1	PC	
33	7.306-105.0	Screw M6x30 -8.8-R3R (In6Rd)	4	PC	
34	7.303-108.0	Screw 5x20 -10.9-R2R (In6Rd)	1	PC	
35	5.402-727.0	Suction nipple	1	PC	
36	6.362-481.0	O-Ring seal 14,0 x 2,0 NBR 80	1	PC	
37	5.064-230.0	Suction cover	1	PC	
38	7.306-129.0	Screw M6x40 -8.8-P2R (In6Rd)	4	PC	
39	5.365-284.0	Profile gasket	1	PC	
40	5.005-314.0	Plate suction cover	1	PC	
100	2.883-997.0	PUMP SET HD 5/12 C	1	PC	
	<b>Item text1:</b> 1.150-651.0 / -652.0 / -653.0 / -654.0 /				
	<b>Item text2:</b> -657.0 / 1.214-126.0				
100	2.885-242.0	Pump set HD 6/15 C	1	PC	FOR PISTON CERAMIC COATED
	<b>Item text1:</b> 1.150-651.0 /-652.0 /-653.0				

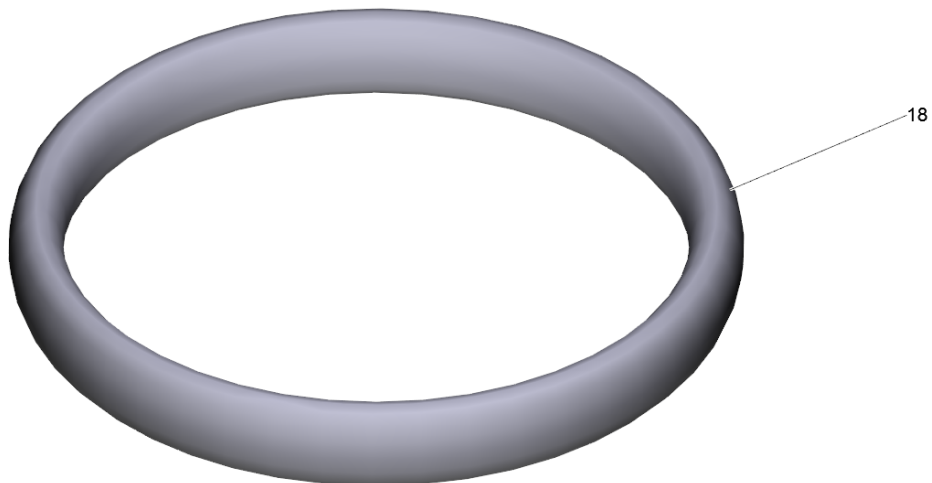
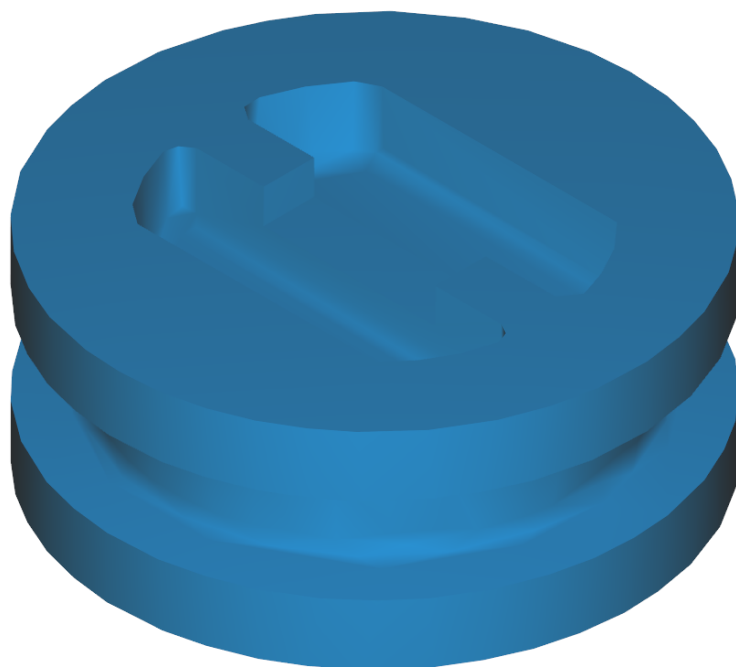


8 Valve (3 Stück) (2.884-916.0)

---

POS	Article no.	Description	Quantity	Unit
15	6.362-077.0	O-Ring seal 10 x 2,2 NBR 70	1	PC

---

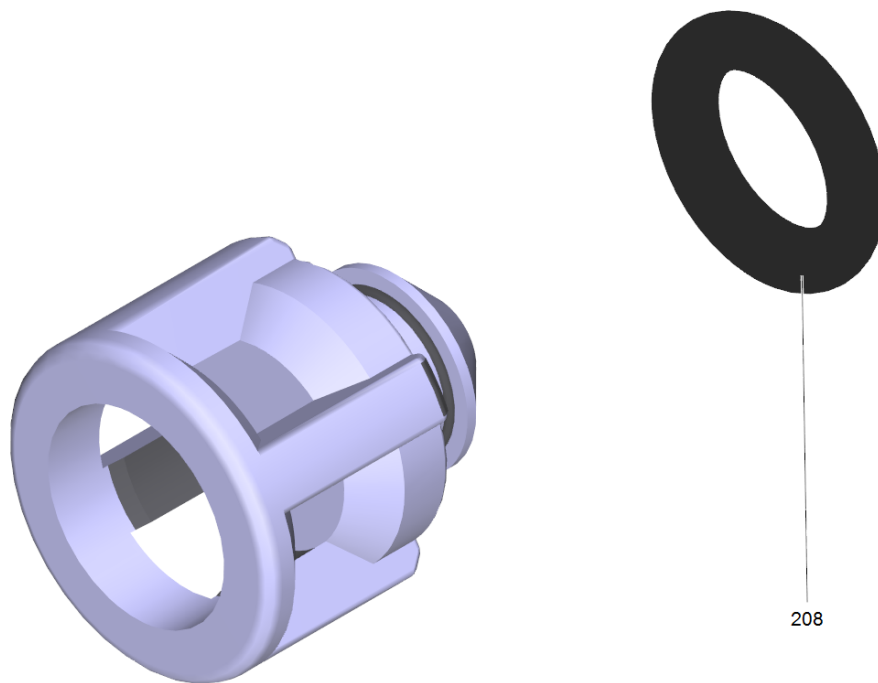


11 Drain plug only for replacement (4.132-007.0)

---

<b>POS</b>	<b>Article no.</b>	<b>Description</b>	<b>Quantity</b>	<b>Unit</b>
18	6.362-458.0	O-Ring seal 11,0x2,0-NBR 70	1	PC

---



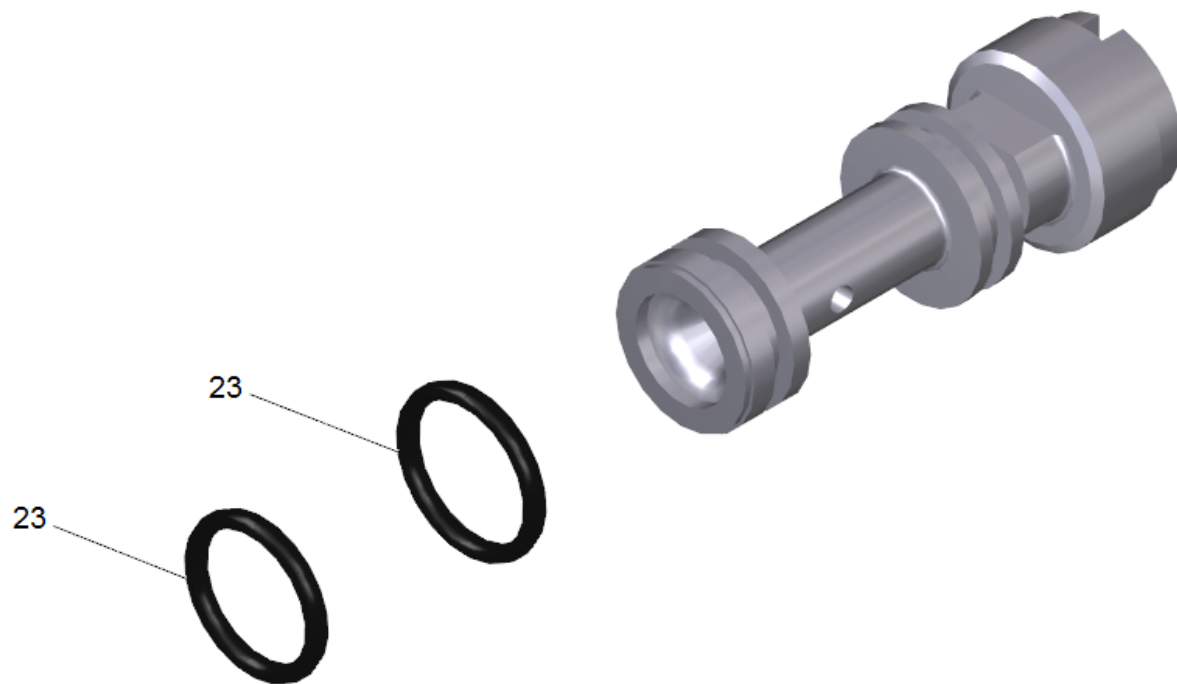
208

22 Valve pin complete (4.584-022.0)

---

POS	Article no.	Description	Quantity	Unit
208	6.363-613.0	O-Ring seal 4 x 2 -NBR90	1	PC

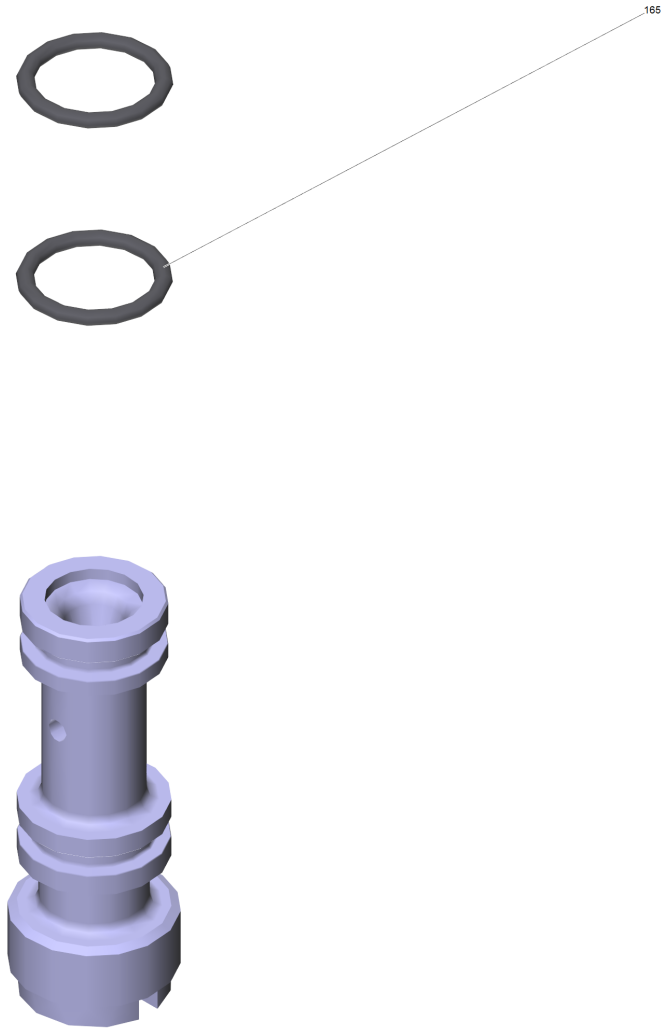




23 Nozzle insert only for replacement (4.769-034.0)

---

POS	Article no.	Description	Quantity	Unit
23	6.362-384.0	O-Ring seal 9x1,5 - NBR 70	2	PC



23 Nozzle insert (4.769-035.0)

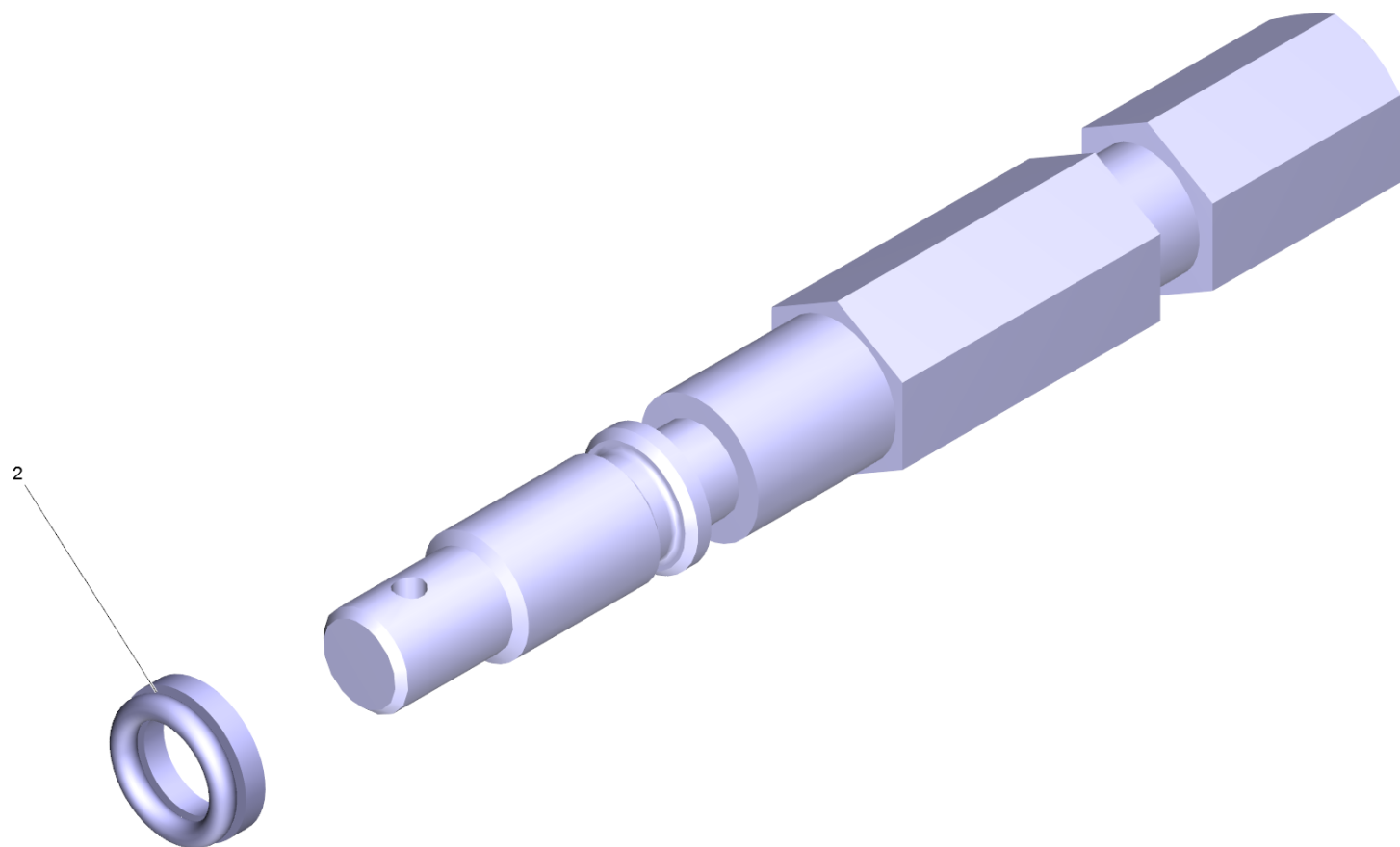
---

<b>POS</b>	<b>Article no.</b>	<b>Description</b>	<b>Quantity</b>	<b>Unit</b>
165	6.362-384.0	O-Ring seal 9x1,5 - NBR 70	2	PC

## 26 Overflow valve (4.591-038.0)

---

<b>POS</b>	<b>Article no.</b>	<b>Description</b>	<b>Quantity</b>	<b>Unit</b>
14	5.305-264.0	Shaped screw	1	PC
20	5.332-425.0	Helical spring	1	PC
26	5.553-390.0	Piston	1	PC
28	5.581-230.0	Valve seat	1	PC
44	6.362-169.0	O-Ring seal 12,0 X 2,0	1	PC
47	6.362-454.0	O-Ring seal complete 2ST.-R.	1	PC

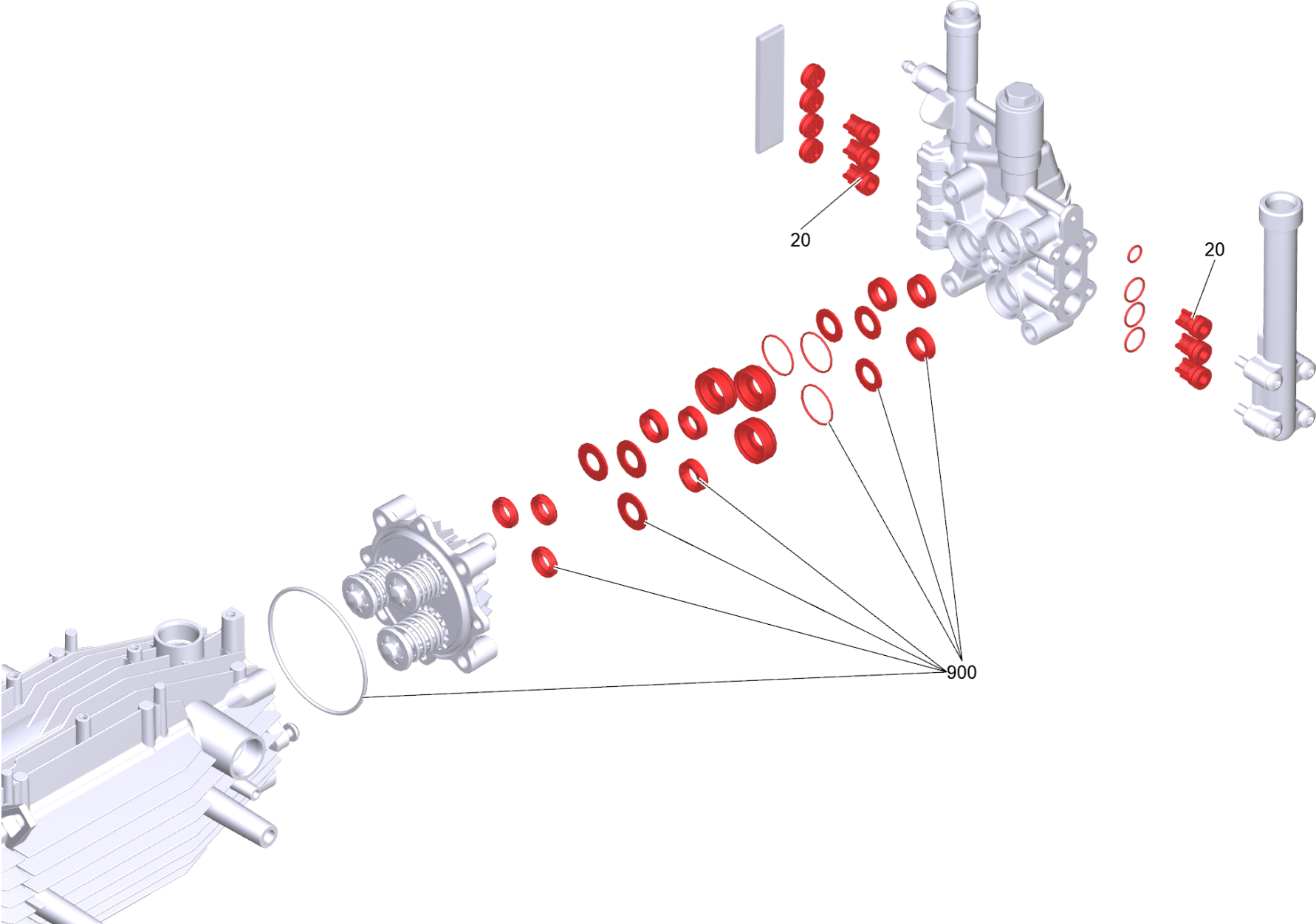


31 Spindle complete (4.291-014.0)

---

<b>POS</b>	<b>Article no.</b>	<b>Description</b>	<b>Quantity</b>	<b>Unit</b>
2	6.362-468.0	O-Ring seal complete 1ST.-R.	1	PC

---

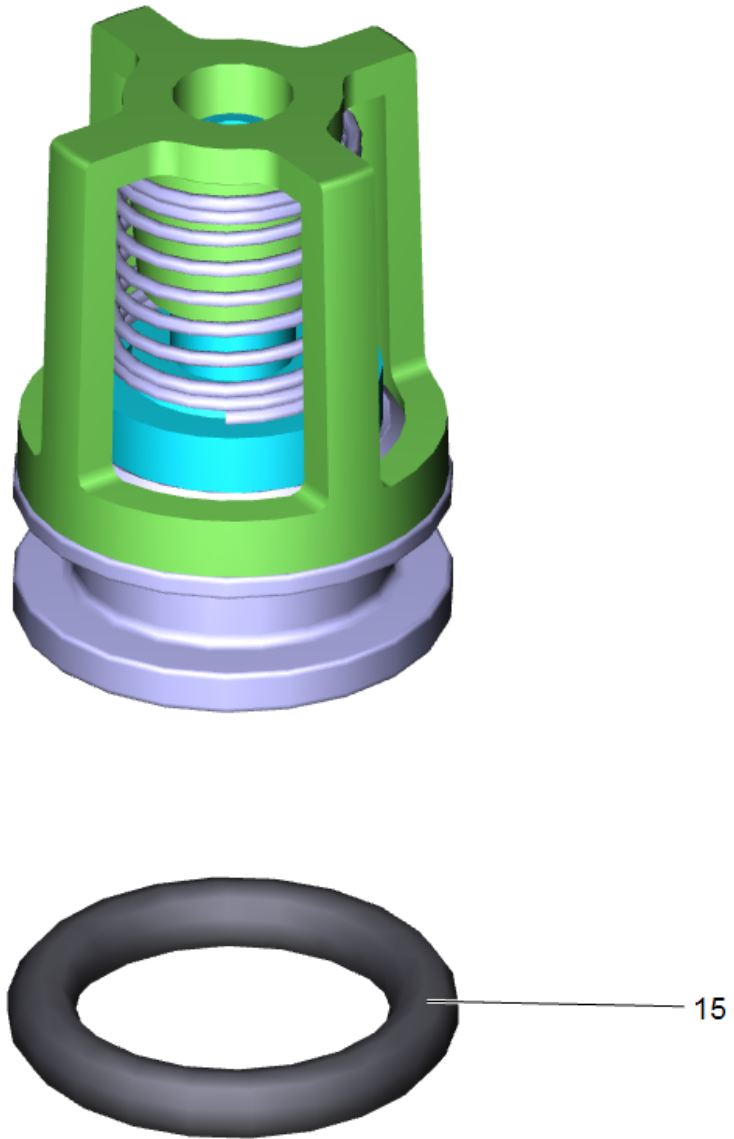




100 PUMP SET HD 5/12 C (2.883-997.0)

---

<b>POS</b>	<b>Article no.</b>	<b>Description</b>	<b>Quantity</b>	<b>Unit</b>
20	2.884-916.0	Valve (3 Stück)	2	PC
60	6.288-072.0	Silicon grease	1	PC
900	4.100-773.0	Set of gaskets	1	PC

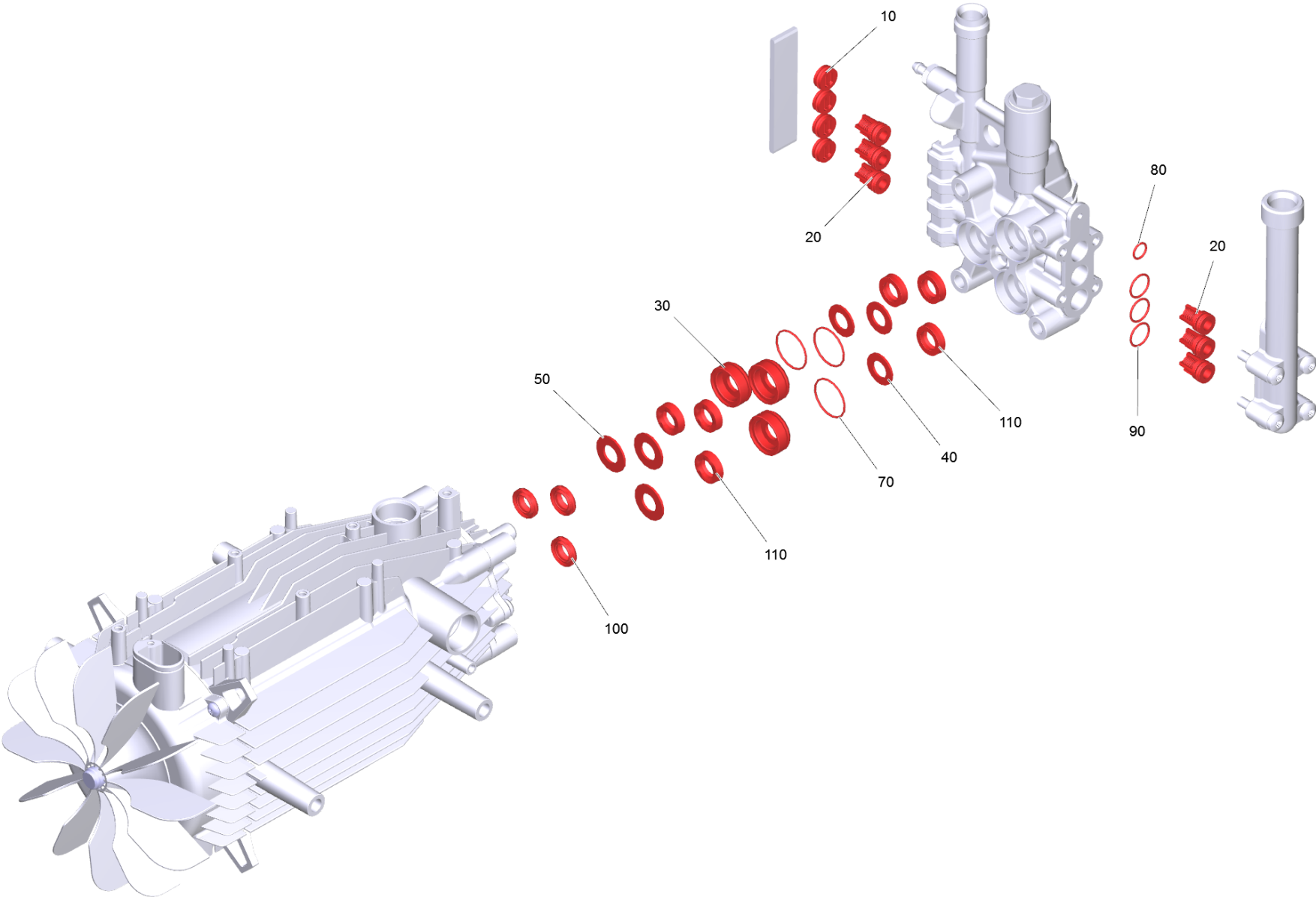


20 Valve (3 Stück) (2.884-916.0)

---

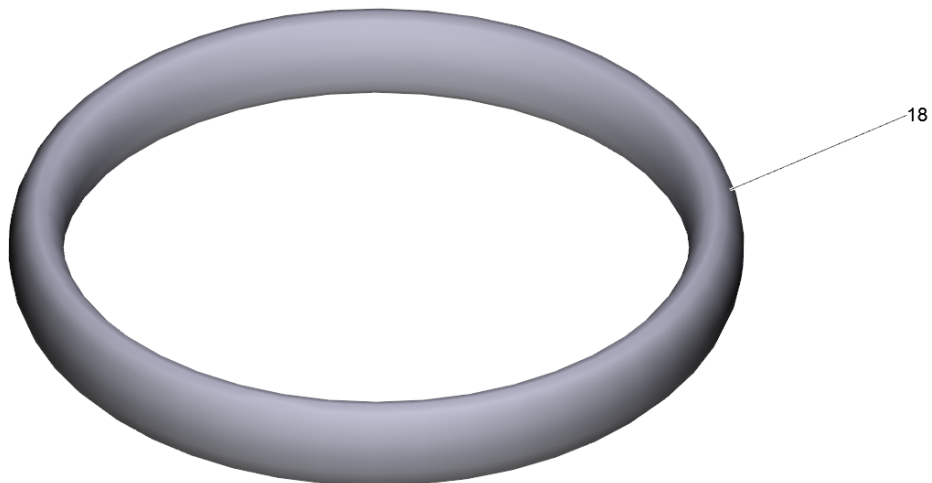
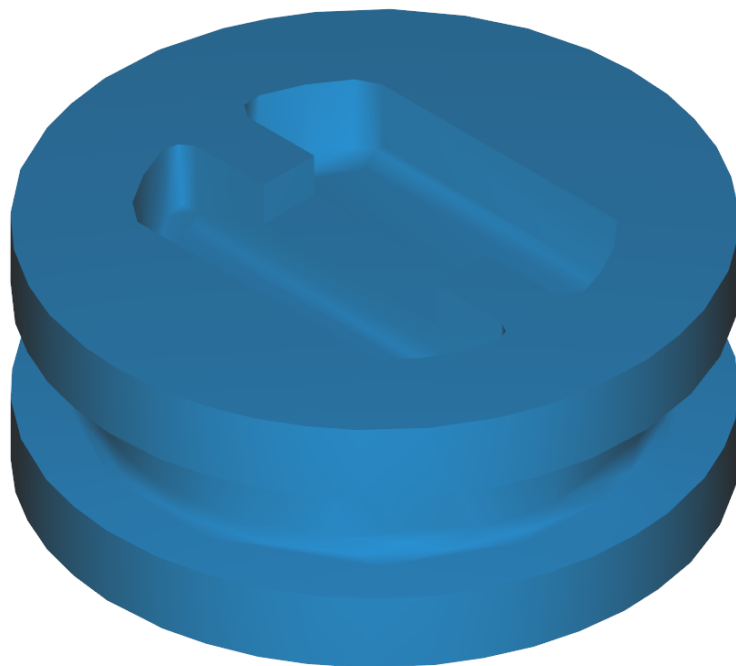
POS	Article no.	Description	Quantity	Unit
15	6.362-077.0	O-Ring seal 10 x 2,2 NBR 70	1	PC

---



100 Pump set HD 6/15 C (2.885-242.0)

POS	Article no.	Description	Quantity	Unit
10	4.132-007.0	Drain plug only for replacement	4	PC
20	2.884-916.0	Valve (3 Stück)	2	PC
30	5.112-726.0	Bush	3	PC
40	5.115-721.0	Washer	3	PC
50	5.116-093.0	Washer	3	PC
60	6.288-072.0	Silicon grease	1	PC
70	6.362-376.0	O-Ring seal 24,0 X 1,5	3	PC
80	6.362-384.0	O-Ring seal 9x1,5 - NBR 70	1	PC
90	6.362-533.0	O-Ring seal 14,0 X 1,5-NBR 70	3	PC
100	6.365-393.0	Oil sealing 12x20x4/6	3	PC
110	6.365-563.0	Grooved ring	6	PC

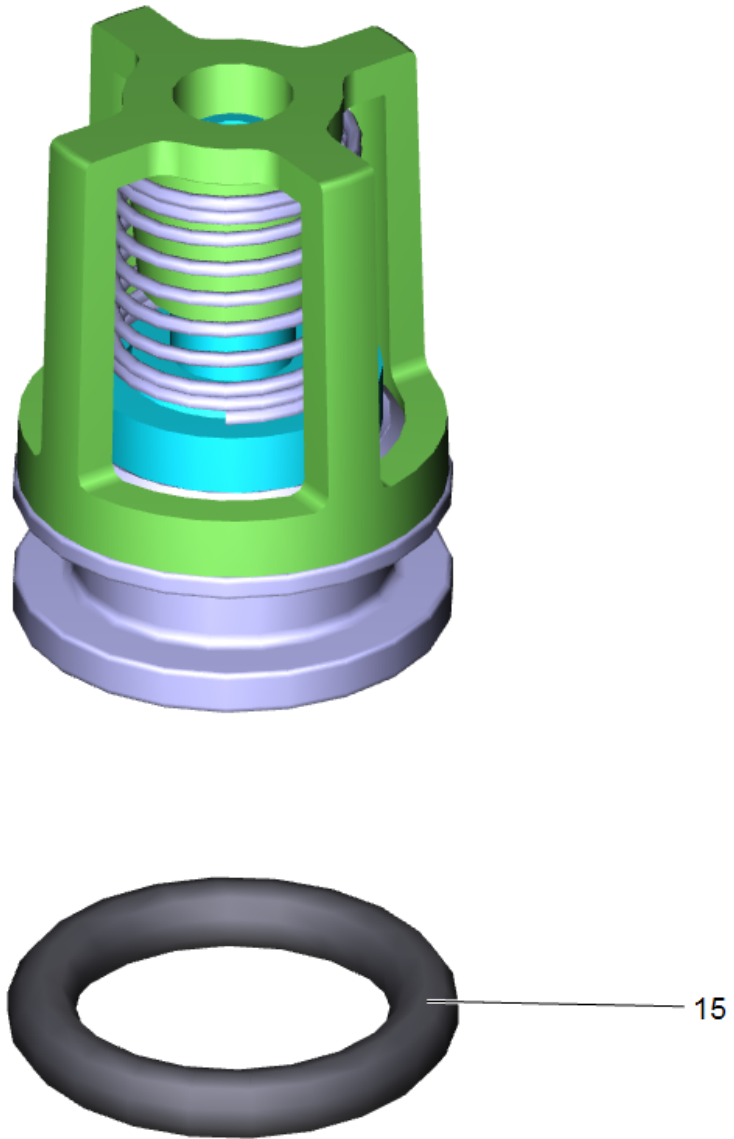


10 Drain plug only for replacement (4.132-007.0)

---

<b>POS</b>	<b>Article no.</b>	<b>Description</b>	<b>Quantity</b>	<b>Unit</b>
18	6.362-458.0	O-Ring seal 11,0x2,0-NBR 70	1	PC

---



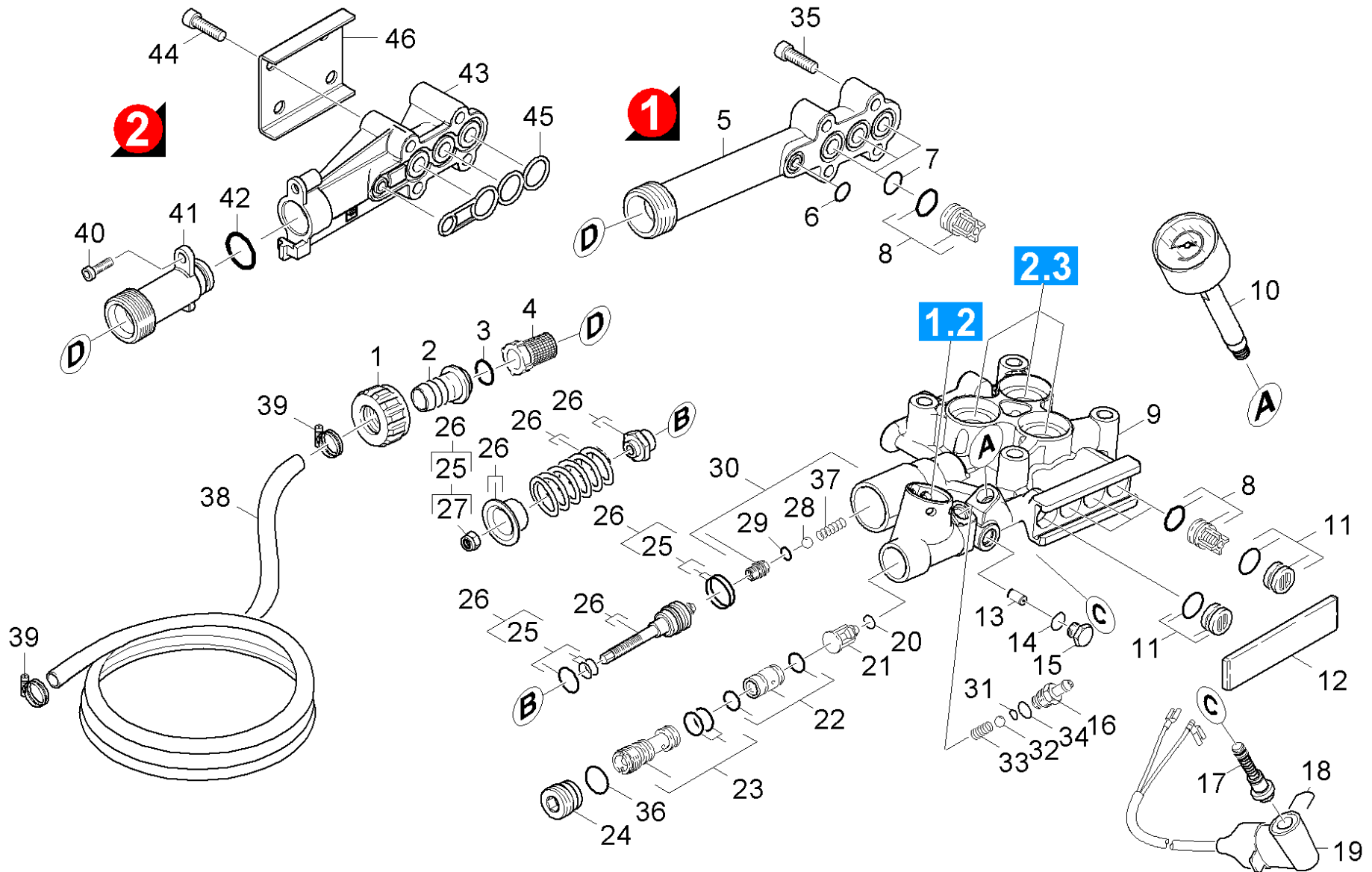


20 Valve (3 Stück) (2.884-916.0)

---

<b>POS</b>	<b>Article no.</b>	<b>Description</b>	<b>Quantity</b>	<b>Unit</b>
15	6.362-077.0	O-Ring seal 10 x 2,2 NBR 70	1	PC

---



## 22 Cylinder head

POS	Article no.	Description	Quantity	Unit
1	5.310-065.0	Nut	1	PC
	<b>Item text1:</b> 1.151-651.0/ -652.0 / -653.0 / -654.0 /			
1	5.311-071.0	Nut	1	PC
	<b>Item text1:</b> 1.151-655.0 / -656.0 /			
2	5.443-229.0	Hose stem	1	PC
	<b>Item text1:</b> 1.151-651.0/ -652.0 / -653.0 / -654.0 /			
2	5.443-282.0	Hose stem	1	PC
	<b>Item text1:</b> 1.151-655.0 / -656.0 /			
3	6.362-078.0	O-Ring seal 13,3x2,4	1	PC
	<b>Item text1:</b> 1.151-651.0/ -652.0 / -653.0 / -654.0 /			
3	6.362-395.0	O-Ring seal 14,0 X 1,78-NBR 70	1	PC
	<b>Item text1:</b> 1.151-655.0 / -656.0 /			
4	6.414-252.0	Strainer	1	PC
5	5.064-150.0	Suction cover	1	PC
6	6.362-384.0	O-Ring seal 9x1,5 - NBR 70	1	PC
7	6.362-533.0	O-Ring seal 14,0 X 1,5-NBR 70	3	PC
8	2.884-916.0	Valve (3 Stück)	2	PC
9	5.550-316.3	Cylinder head	1	PC
10	6.421-349.3	Pressure gauge 0-30 MPa	1	PC
	<b>Item text1:</b> 1.151-651.0 /-652.0 /-653.0 /-654.0			
	<b>Item text2:</b> /-655.0 /-656.0 /			
10	6.421-320.0	Pressure gauge 0-15 MPa	1	PC
	<b>Item text1:</b> 1.151-611.0			
11	4.132-007.0	Drain plug only for replacement	4	PC
12	5.003-062.0	Plate	1	PC
13	5.111-046.0	Sleeve cylinder head	1	PC
14	6.362-642.0	O-Ring d. 7,65x1,78 -NBR 80	1	PC
15	5.411-070.0	Screw plug	1	PC
16	5.443-624.0	Nipple	1	PC
17	2.883-988.0	SPARE PARTS SET	1	PC
18	5.034-494.0	Retaining bracket	1	PC
19	4.744-201.0	Switch complete	1	PC
20	6.363-613.0	O-Ring seal 4 x 2 -NBR90	1	PC

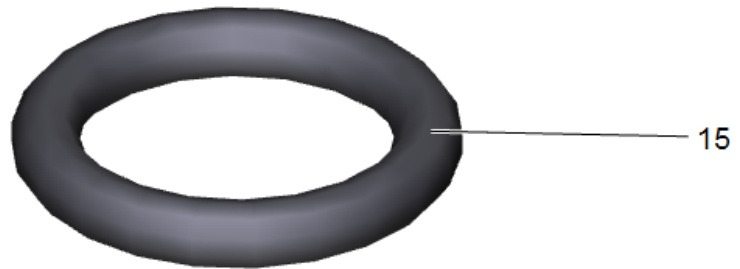
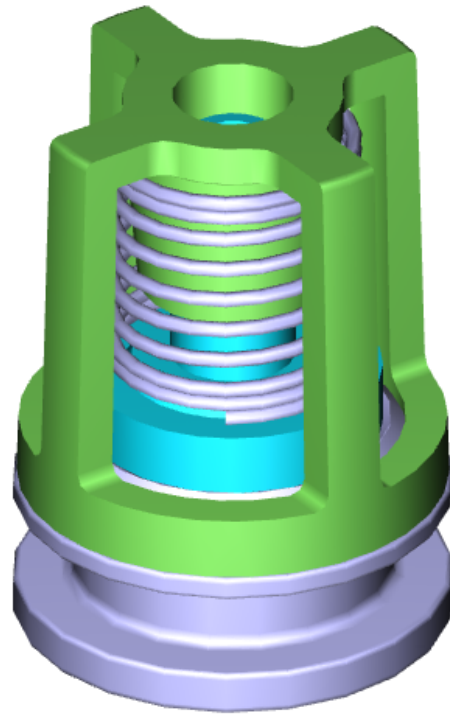
## 22 Cylinder head

POS	Article no.	Description	Quantity	Unit
21	4.584-022.0	Valve pin complete	1	PC
22	2.884-853.0	Spare part set nozzle insert	1	PC
23	4.769-034.0	Nozzle insert only for replacement	1	PC
	<b>Item text1:</b> 1.151-651.0 /-652.0 /-653.0 /-654.0			
	<b>Item text2:</b> /-655.0 /-656.0 /			
23	4.769-035.0	Nozzle insert	1	PC
	<b>Item text1:</b> 1.151-611.0			
24	5.411-171.0	Screw plug	1	PC
25	2.884-551.0	Spare part set	1	PC
26	2.884-550.0	Spare part set overflow valve	1	PC
	<b>Item text1:</b> 1.151-651.0 /-652.0 /-653.0 /-654.0			
	<b>Item text2:</b> /-655.0 /-656.0 /			
26	2.884-984.0	Spare part set	1	PC
	<b>Item text1:</b> 1.151-611.0			
27	7.311-510.0	Hexagon nut M 8-8-A2E ISO 7040	1	PC
28	7.401-907.0	Sphere 3/8 G200-1.4301 DIN 5401	1	PC
29	6.362-858.0	O-Ring seal 11,0 X 1,5	1	PC
30	4.481-226.0	Valve seat complete	1	PC
31	6.363-597.0	O-Ring seal 5,28 x 1,78	1	PC
32	7.401-908.0	Sphere 7 G300 -1.4301 DIN 5401	1	PC
33	5.332-258.0	Helical spring	1	PC
34	6.362-113.0	O-Ring seal 6,0 x 2,0 NBR 70	1	PC
35	7.306-105.0	Screw M6x30 -8.8-R3R (In6Rd)	4	PC
36	6.362-480.0	O-Ring seal 12,42x 1,78	1	PC
37	5.332-999.0	Helical spring	1	PC
38	6.390-492.0	Hose intake DN19	1	PC
	<b>Item text1:</b> 1.151-655.0 / -656.0 /			
39	6.388-548.0	Hose clip	1	PC
	<b>Item text1:</b> 1.151-655.0 / -656.0 /			
40	7.303-108.0	Screw 5x20 -10.9-R2R (In6Rd)	1	PC
41	5.402-727.0	Suction nipple	1	PC
42	6.362-481.0	O-Ring seal 14,0 x 2,0 NBR 80	1	PC
43	5.064-230.0	Suction cover	1	PC

## 22 Cylinder head

---

POS	Article no.	Description	Quantity	Unit
44	7.306-129.0	Screw M6x40 -8.8-P2R (In6Rd)	4	PC
45	5.365-284.0	Profile gasket	1	PC
46	5.005-314.0	Plate suction cover	1	PC
100	2.885-017.0	Pump set HD 7/18C	1	PC
<b>Item text1:</b> 1.524-651.0 /-652.0 /-653.0 /-654.0				

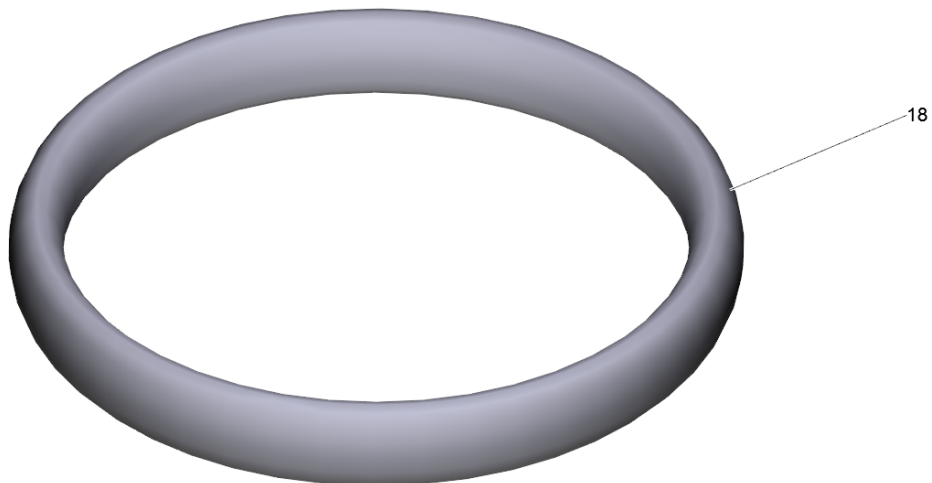
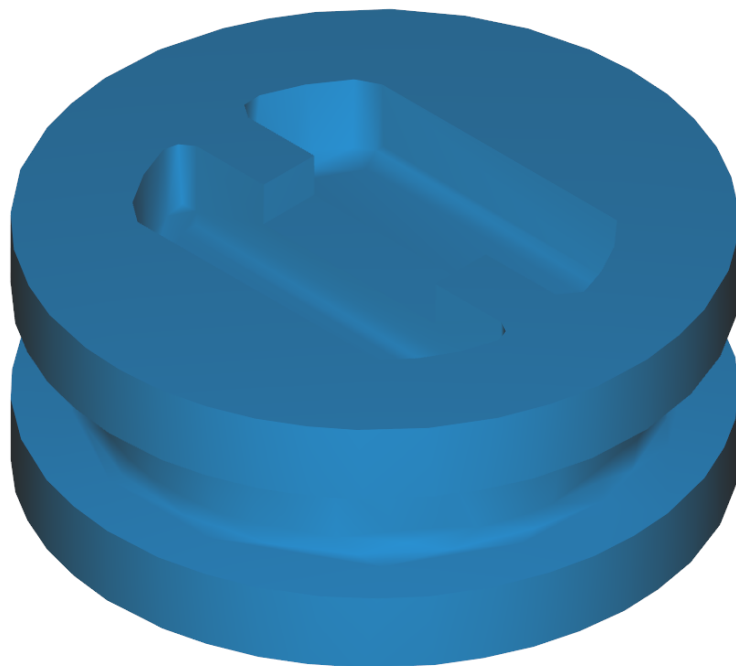


8 Valve (3 Stück) (2.884-916.0)

---

POS	Article no.	Description	Quantity	Unit
15	6.362-077.0	O-Ring seal 10 x 2,2 NBR 70	1	PC

---



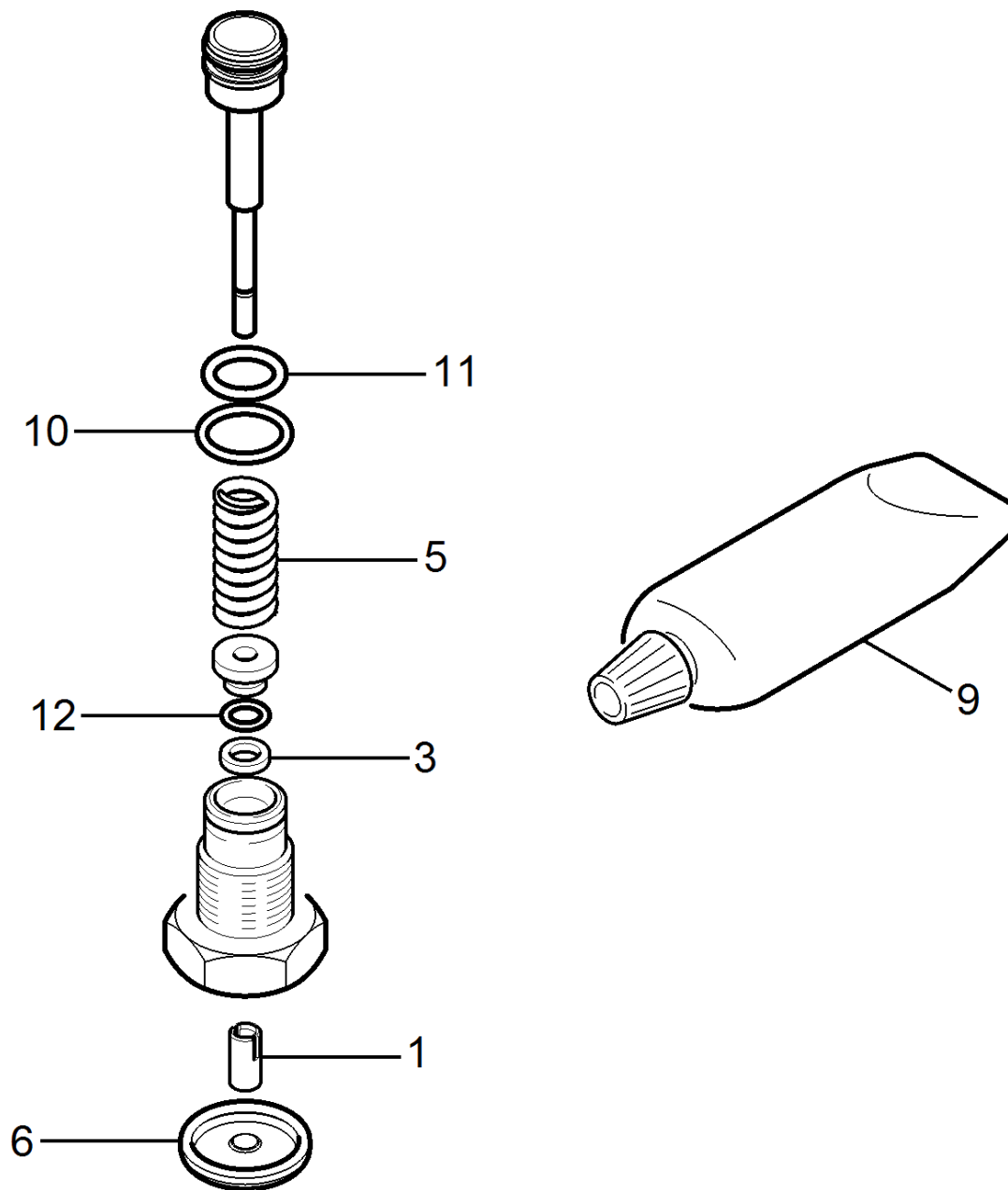


11 Drain plug only for replacement (4.132-007.0)

---

<b>POS</b>	<b>Article no.</b>	<b>Description</b>	<b>Quantity</b>	<b>Unit</b>
18	6.362-458.0	O-Ring seal 11,0x2,0-NBR 70	1	PC

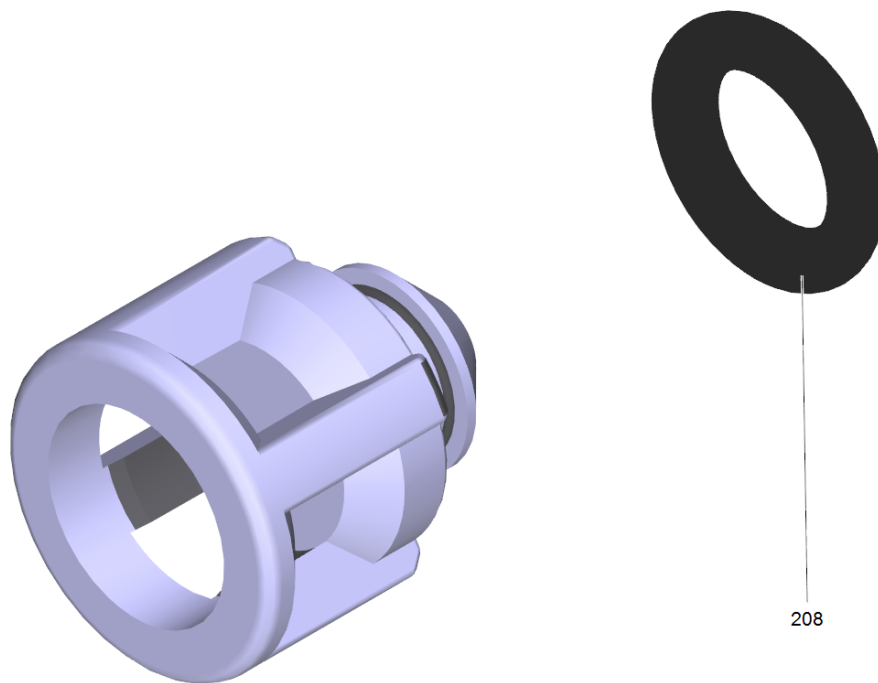
---



## 17 SPARE PARTS SET (2.883-988.0)

---

<b>POS</b>	<b>Article no.</b>	<b>Description</b>	<b>Quantity</b>	<b>Unit</b>
1	5.110-947.0	Sleeve	1	PC
3	5.114-513.0	Supportring	1	PC
5	5.332-511.0	Helical spring	1	PC
6	5.367-030.0	Diaphragm	1	PC
9	6.288-044.0	Silicon grease 100 G	1	PC
10	6.363-615.0	O-Ring seal 11 x 1,5 -NBR70	1	PC
11	6.363-611.0	O-Ring seal 8,73 x 1,78 -NBR	1	PC
12	6.363-241.0	O-Ring seal 2,90x1,78	1	PC

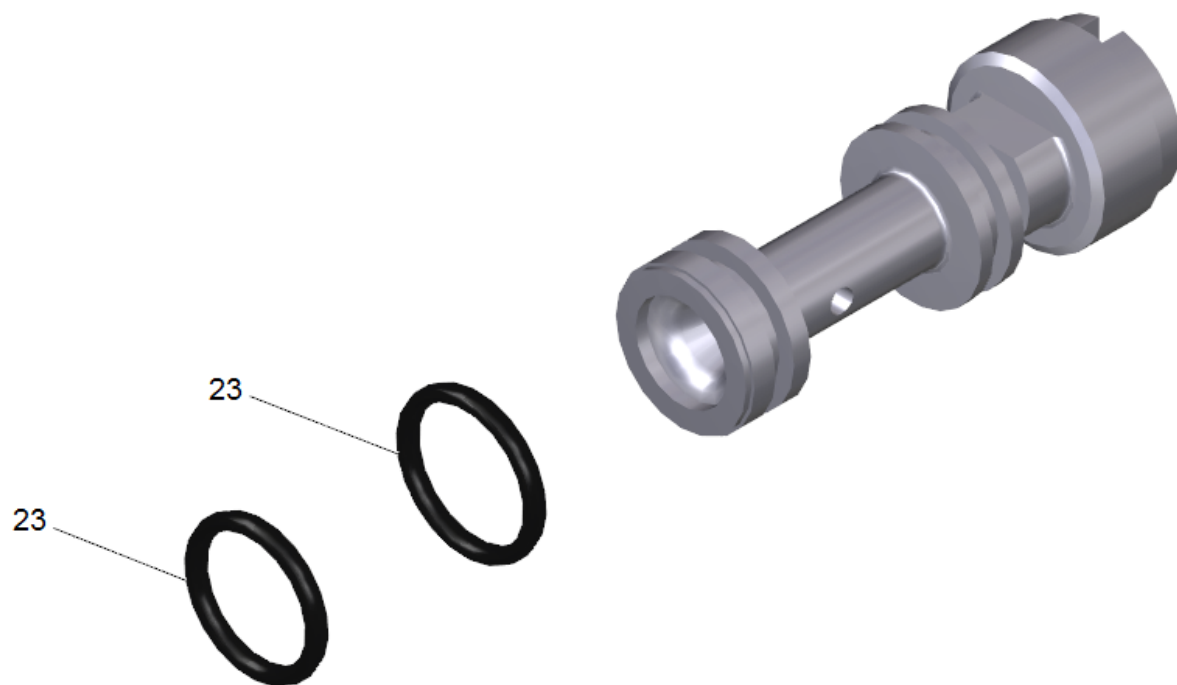


208

21 Valve pin complete (4.584-022.0)

---

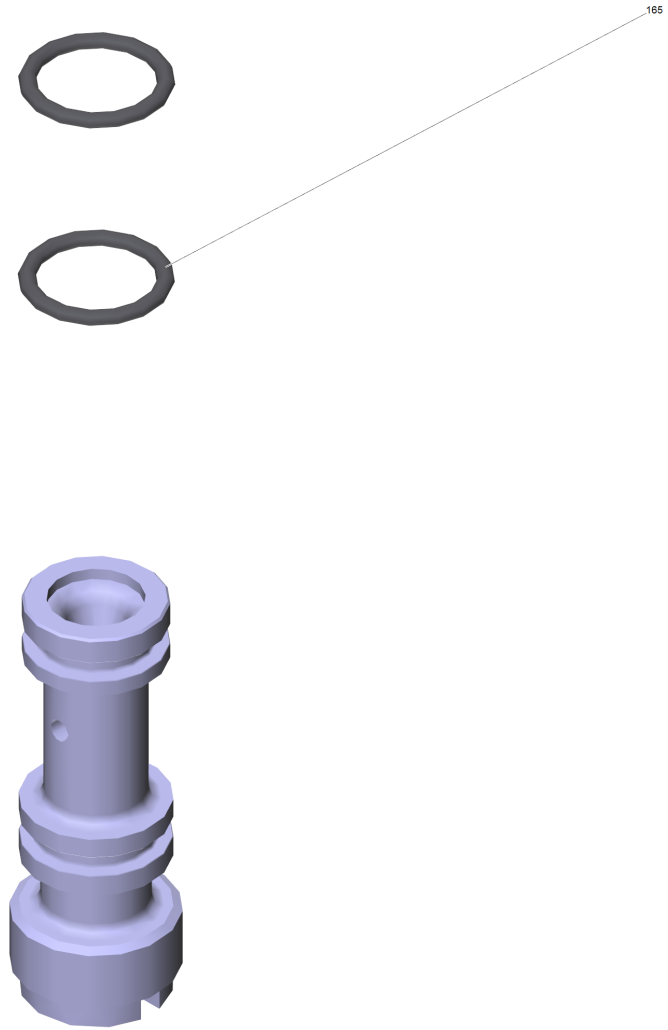
<b>POS</b>	<b>Article no.</b>	<b>Description</b>	<b>Quantity</b>	<b>Unit</b>
208	6.363-613.0	O-Ring seal 4 x 2 -NBR90	1	PC



23 Nozzle insert only for replacement (4.769-034.0)

---

<b>POS</b>	<b>Article no.</b>	<b>Description</b>	<b>Quantity</b>	<b>Unit</b>
23	6.362-384.0	O-Ring seal 9x1,5 - NBR 70	2	PC





23 Nozzle insert (4.769-035.0)

---

<b>POS</b>	<b>Article no.</b>	<b>Description</b>	<b>Quantity</b>	<b>Unit</b>
165	6.362-384.0	O-Ring seal 9x1,5 - NBR 70	2	PC

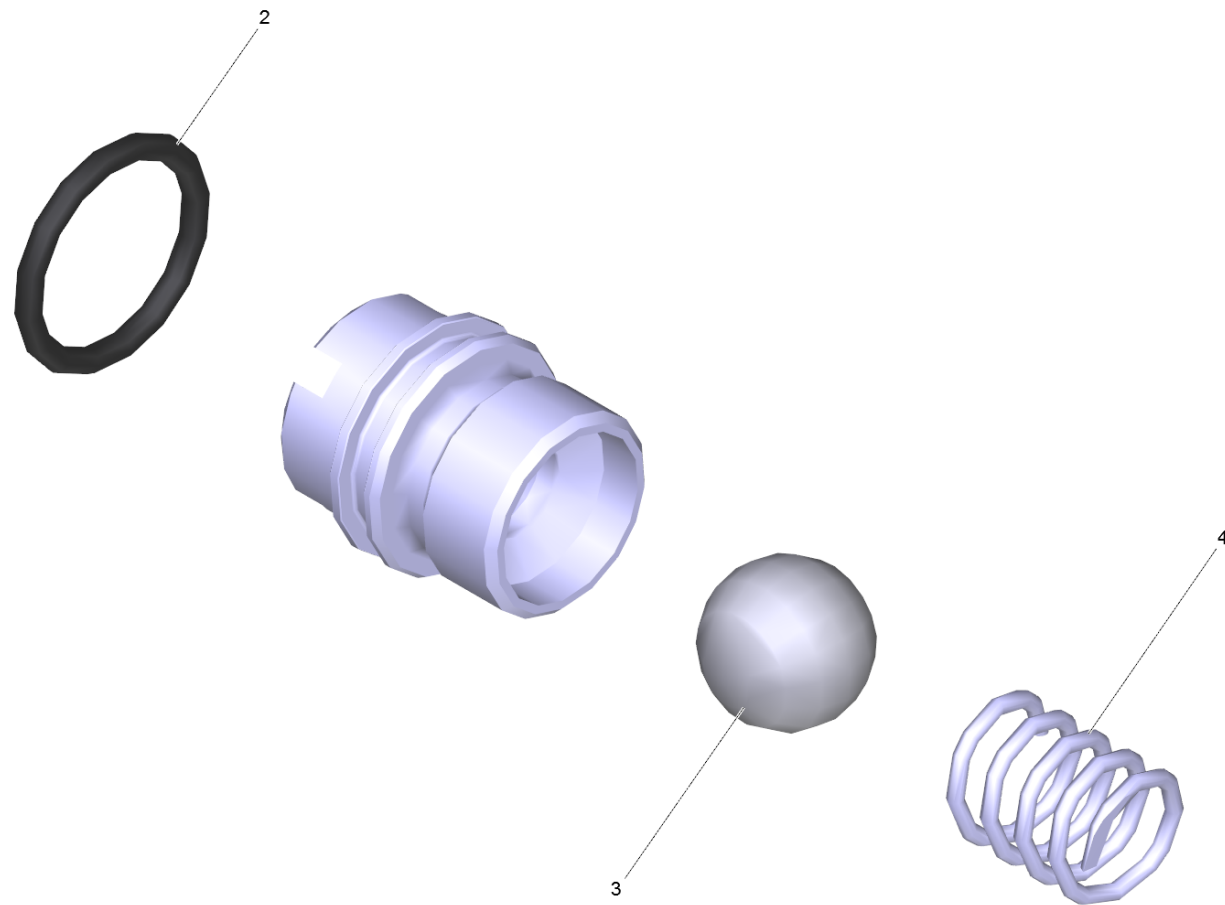
25 Spare part set (2.884-551.0)

---

<b>POS</b>	<b>Article no.</b>	<b>Description</b>	<b>Quantity</b>	<b>Unit</b>
44	6.362-365.0	O-Ring seal complete 1ST.-R.- 7,65X 1,7	1	PC
46	6.362-445.0	O-Ring seal 16,0 X 2,4-NBR 80	1	PC
47	6.362-575.0	O-Ring seal 12,42 KOMPL	1	PC
71	7.311-510.0	Hexagon nut M 8-8-A2E ISO 7040	1	PC
101	6.376-036.0	Label spare parts neutrally 65x55 MM	2	ZST

26 Spare part set overflow valve (2.884-550.0)

POS	Article no.	Description	Quantity	Unit
7	5.112-757.0	Bush	1	PC
16	5.332-530.0	Helical spring	1	PC
44	6.362-365.0	O-Ring seal complete 1ST.-R.- 7,65X 1,7	1	PC
46	6.362-445.0	O-Ring seal 16,0 X 2,4-NBR 80	1	PC
47	6.362-575.0	O-Ring seal 12,42 KOMPL	1	PC
71	7.311-510.0	Hexagon nut M 8-8-A2E ISO 7040	1	PC
145		Grease	0,01	g
151	6.376-036.0	Label spare parts neutrally 65x55 MM	2	ZST



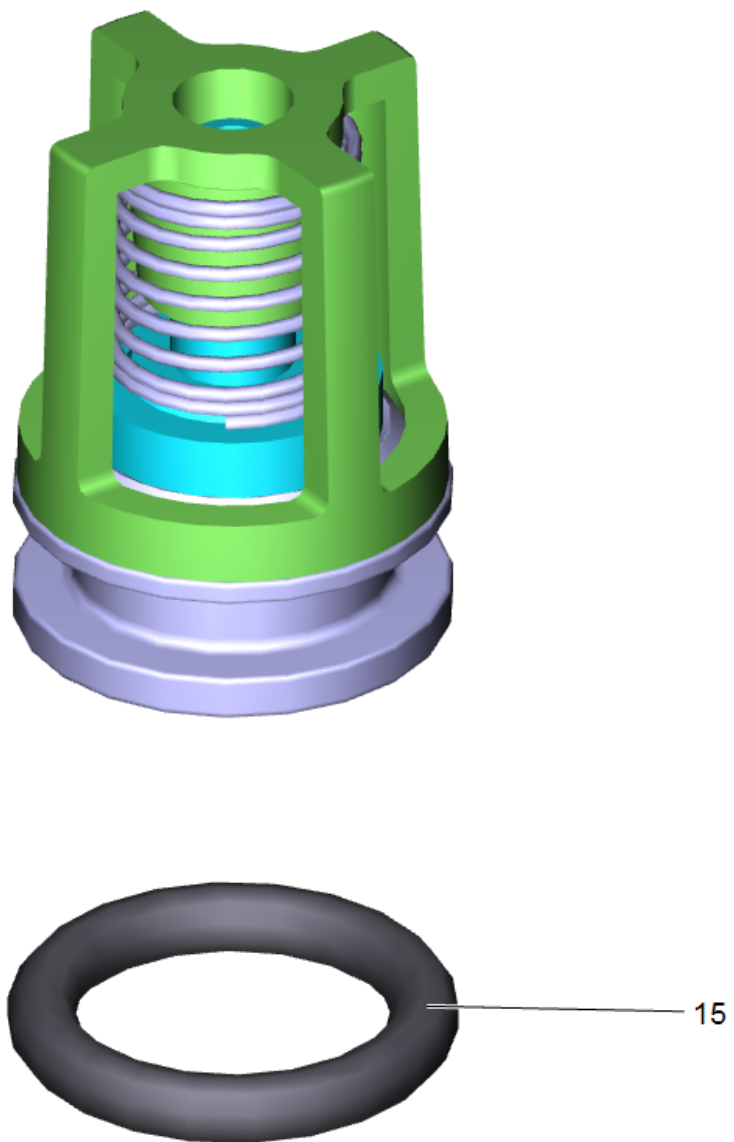
### 30 Valve seat complete (4.481-226.0)

---

<b>POS</b>	<b>Article no.</b>	<b>Description</b>	<b>Quantity</b>	<b>Unit</b>
2	6.362-858.0	O-Ring seal 11,0 X 1,5	1	PC
3	7.401-907.0	Sphere 3/8 G200-1.4301 DIN 5401	1	PC
4	5.332-999.0	Helical spring	1	PC

100 Pump set HD 7/18C (2.885-017.0)

POS	Article no.	Description	Quantity	Unit
1	2.884-916.0	Valve (3 Stück)	2	PC
2	5.115-465.0	Washer	3	PC
3	5.115-744.0	Washer	3	PC
4	6.362-384.0	O-Ring seal 9x1,5 - NBR 70	1	PC
5	6.365-340.0	Grooved ring 14X22X5/7	3	PC
6	6.365-432.0	Grooved ring 14x22x5.3	3	PC
7	4.132-007.0	Drain plug only for replacement	4	PC
8	6.362-376.0	O-Ring seal 24,0 X 1,5	3	PC
9	5.112-576.3	Bush	3	PC
10	6.365-434.0	Grooved ring 14x20x4	3	PC



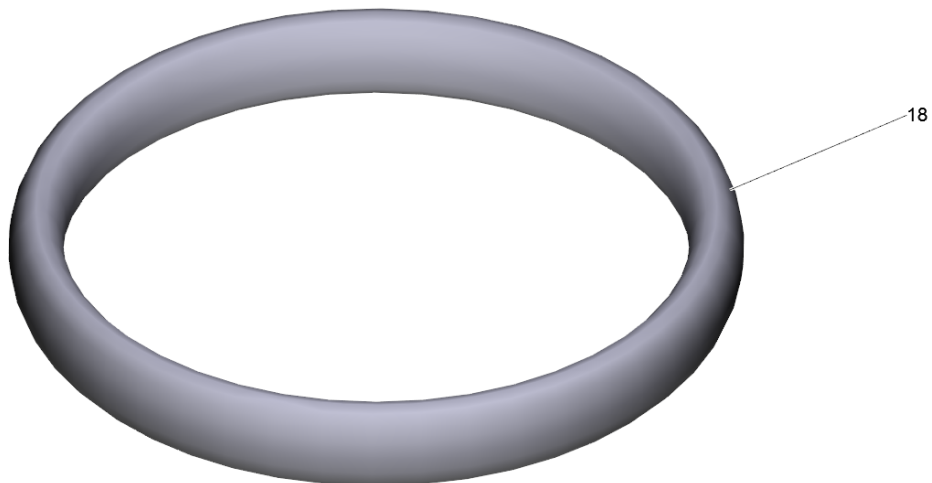
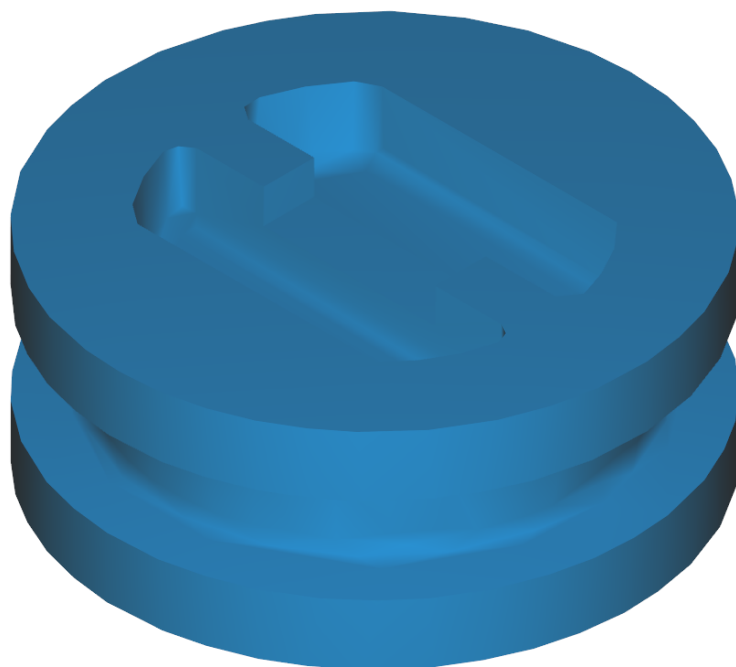
1 Valve (3 Stück) (2.884-916.0)

---

POS	Article no.	Description	Quantity	Unit
15	6.362-077.0	O-Ring seal 10 x 2,2 NBR 70	1	PC

---



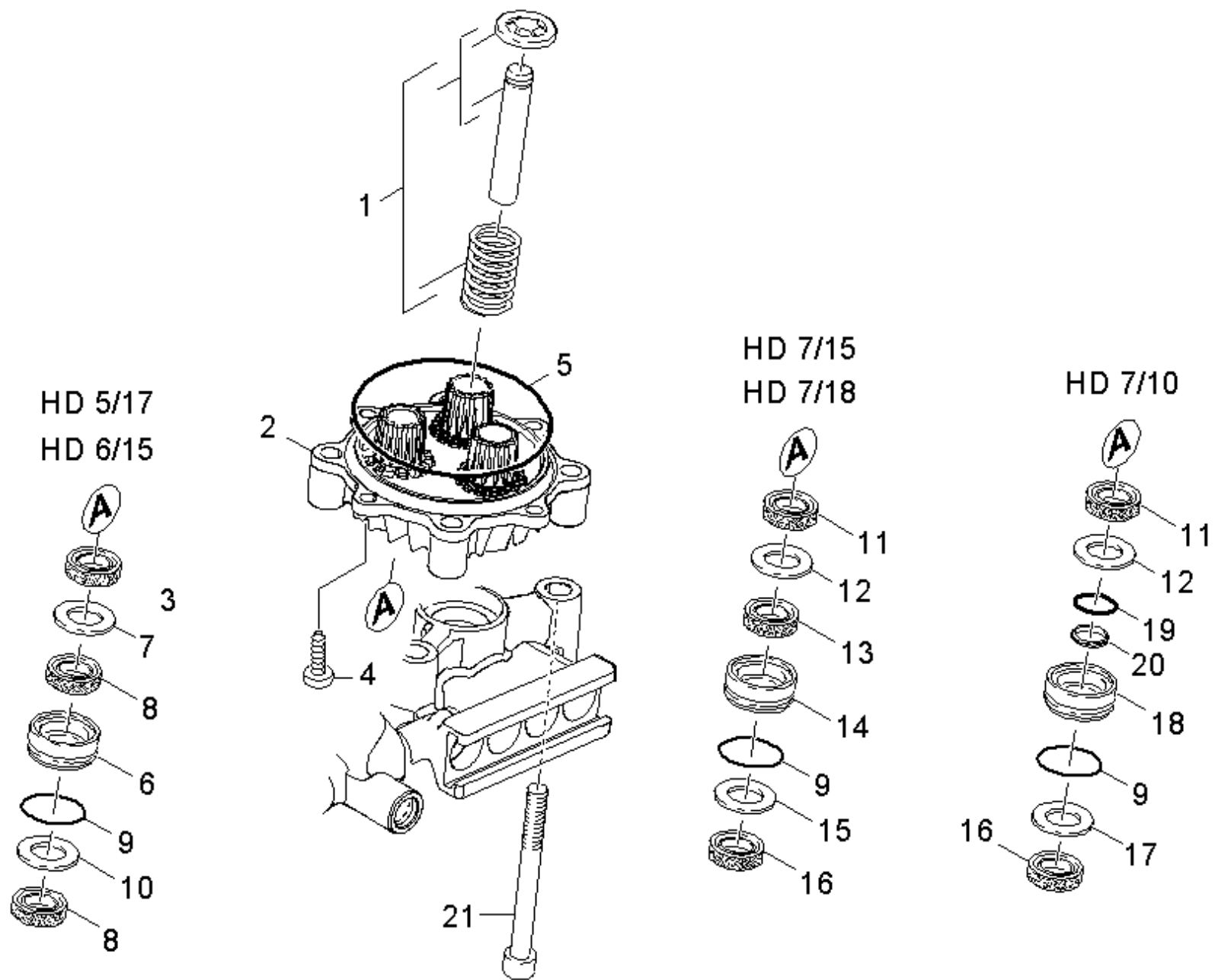


7 Drain plug only for replacement (4.132-007.0)

---

<b>POS</b>	<b>Article no.</b>	<b>Description</b>	<b>Quantity</b>	<b>Unit</b>
18	6.362-458.0	O-Ring seal 11,0x2,0-NBR 70	1	PC

---

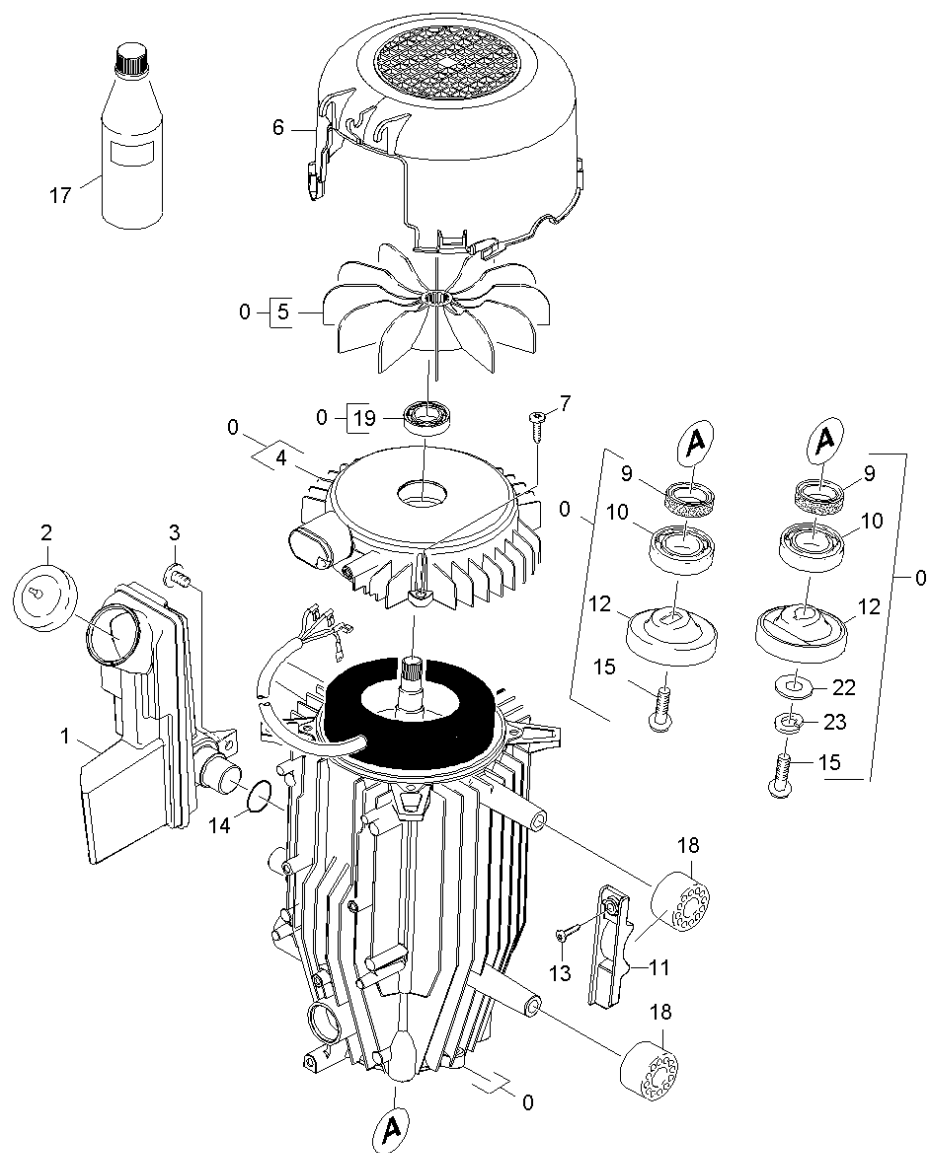


## 23 Thrust guidance

POS	Article no.	Description	Quantity	Unit	Foot note text
1	4.553-231.0	Piston complete only for replacement <b>Item text1:</b> 1.150-651.0 / -652.0 / -653.0 / -654.0 <b>Item text2:</b> / -657.0	3	PC	
1	4.553-242.0	Piston complete <b>Item text1:</b> 1.151-611.0 / -651.0 / -652.0 / -653.0 <b>Item text2:</b> /-655.0	3	PC	
1	4.553-264.0	Piston complete only for replacement <b>Item text1:</b> 1.151-656.0	3	PC	
1	4.553-275.0	Piston complete only for replacement <b>Item text1:</b> 1.214-126.0	3	PC	
1	4.553-306.0	Piston -nur fuer Ersatz- <b>Item text1:</b> 1.150-651.0 /-652.0 /-653.0	3	PC	CERAMIC COATED
2	5.061-018.3	Thrust guidance <b>Item text1:</b> 1.150-651.0 / -652.0 / -653.0 / -654.0 <b>Item text2:</b> / -657.0 / 1.214-126.0	1	PC	
2	5.062-754.3	Thrust guidance <b>Item text1:</b> 1.151-611.0 / -651.0 / -652.0 / -653.0 / <b>Item text2:</b> -654.0 / -655.0 /-656.0 /	1	PC	
3	6.365-001.0	Grooved ring 12x20x4/6 <b>Item text1:</b> 1.150-651.0 / -652.0 / -653.0 / -654.0 <b>Item text2:</b> / -657.0 / 1.214-126.0	3	PC	
4	7.303-047.0	Screw M6x16 -St-R3R (In6Rd)	2	PC	
5	6.363-077.0	O-Ring seal 75x3	1	PC	
6	5.112-726.0	Bush <b>Item text1:</b> 1.150-651.0 / -652.0 / -653.0 / -654.0 <b>Item text2:</b> 1.150-657.0 / 1.214-126.0	3	PC	
7	5.116-093.0	Washer <b>Item text1:</b> 1.150-651.0 / -652.0 / -653.0 / -654.0 <b>Item text2:</b> / -657.0 / 1.214-126.0	3	PC	
8	6.365-563.0	Grooved ring <b>Item text1:</b> 1.150-651.0 /-652.0 /-653.0	3	PC	FOR PISTON CERAMIC COATED
8	6.365-477.0	Grooved ring 12x20x5,3/2,8 <b>Item text1:</b> 1.150-651.0 / -652.0 / -653.0 / -654.0	3	PC	

## 23 Thrust guidance

POS	Article no.	Description	Quantity	Unit	Foot note text
		<b>Item text2:</b> / -657.0 / 1.214-126.0			
9	6.362-376.0	O-Ring seal 24,0 X 1,5	3	PC	
10	5.115-721.0	Washer	3	PC	
		<b>Item text1:</b> 1.150-651.0 / -652.0 / -653.0 / -654.0			
		<b>Item text2:</b> / -657.0 / 1.214-126.0			
11	6.365-340.0	Grooved ring 14X22X5/7	3	PC	
		<b>Item text1:</b> 1.151-611.0 / -651.0 / -652.0 / -653.0 /			
		<b>Item text2:</b> -654.0 / -655.0 /-656.0 /			
12	5.115-744.0	Washer	3	PC	
		<b>Item text1:</b> 1.151-611.0 / -651.0 / -652.0 / -653.0 /			
		<b>Item text2:</b> -654.0 / -655.0 /-656.0 /			
13	6.365-438.0	Compact seal	3	PC	
		<b>Item text1:</b> 1.151-651.0 / -652.0 / -653.0 / -654.0 /			
		<b>Item text2:</b> -655.0 / -656.0 /			
14	5.112-576.3	Bush	3	PC	
		<b>Item text1:</b> 1.151-651.0 / -652.0 / -653.0 / -654.0 /			
		<b>Item text2:</b> -655.0 / -656.0 /			
15	5.115-465.0	Washer	3	PC	
		<b>Item text1:</b> 1.151-651.0 / -652.0 / -653.0 / -654.0 /			
		<b>Item text2:</b> -655.0 / -656.0 /			
16	6.365-432.0	Grooved ring 14x22x5.3	3	PC	
		<b>Item text1:</b> 1.151-651.0 / -652.0 / -653.0 / -654.0 /			
		<b>Item text2:</b> -655.0 / -656.0 /			
17	5.115-465.0	Washer	3	PC	
		<b>Item text1:</b> 1.151-611.0			
18	5.112-811.0	Bush	3	PC	
		<b>Item text1:</b> 1.151-611.0			
19	6.363-610.0	O-Ring seal 13 x 3 -NBR	3	PC	
		<b>Item text1:</b> 1.151-611.0			
20	5.362-011.0	Joint ring	3	PC	
		<b>Item text1:</b> 1.151-611.0			
21	7.306-106.0	Cylinder head screw M8x70 -8.8-A2E ISO4	4	PC	



## 30 Motor

POS	Article no.	Description	Quantity	Unit
0	4.623-675.0	Motor complete	1	PC
	<b>Item text1:</b> 1.150-651.0 / -653.0 / -654.0 / -657.0			
0	4.623-683.0	Motor complete	1	PC
	<b>Item text1:</b> 1.151-611.0 /-651.0 /-652.0 /-653.0 /			
	<b>Item text2:</b> -654.0 /-655.0 /			
0	4.623-754.0	Motor complete	1	PC
	<b>Item text1:</b> 1.150-652.0			
0	4.623-850.0	Motor complete only for replacement	1	PC
	<b>Item text1:</b> 1.151-656.0			
0	4.623-868.0	Motor complete only for replacement	1	PC
	<b>Item text1:</b> 1.214-126.0			
1	5.070-639.0	Tank oil	1	PC
2	5.064-457.0	Cover plate qusty grey oil	1	PC
	<b>Item text1:</b> 1.150-651.0/ -653.0 / -654.0 / -657.0			
	<b>Item text2:</b> / 1.214-126.0			
2	5.064-457.0	Cover plate qusty grey oil	1	PC
	<b>Item text1:</b> 1.151-611.0 / -651.0 / -652.0 / -653.0			
	<b>Item text2:</b> /-654.0 /			
3	6.303-153.0	Screw M5x15-ST-R2R (IN6RD)	1	PC
4	5.064-197.0	Bearing cover B	1	PC
	<b>Item text1:</b> 1.214-126.0			
4	5.094-148.0	Bearing cover B	1	PC
5	5.600-060.0	Blower wheel	1	PC
6	5.692-081.0	Air circulation	1	PC
7	6.303-320.0	Screw M 5x 20-St-R2R	4	PC
9	7.367-001.0	Radial shaft seal ring A24x37x7 -NBR DI	1	PC
10	6.401-427.0	Angular contact ball bearing	1	PC
11	5.802-288.0	Mounting part	2	PC
12	4.120-213.0	Wobble plate	1	PC
	<b>Item text1:</b> 1.151-611.0 / -651.0 / -652.0 / -653.0 /			
	<b>Item text2:</b> -654.0 /-655.0 /			
12	4.120-219.0	Wobble plate complete	1	PC
	<b>Item text1:</b> 1.214-126.0			

## 30 Motor

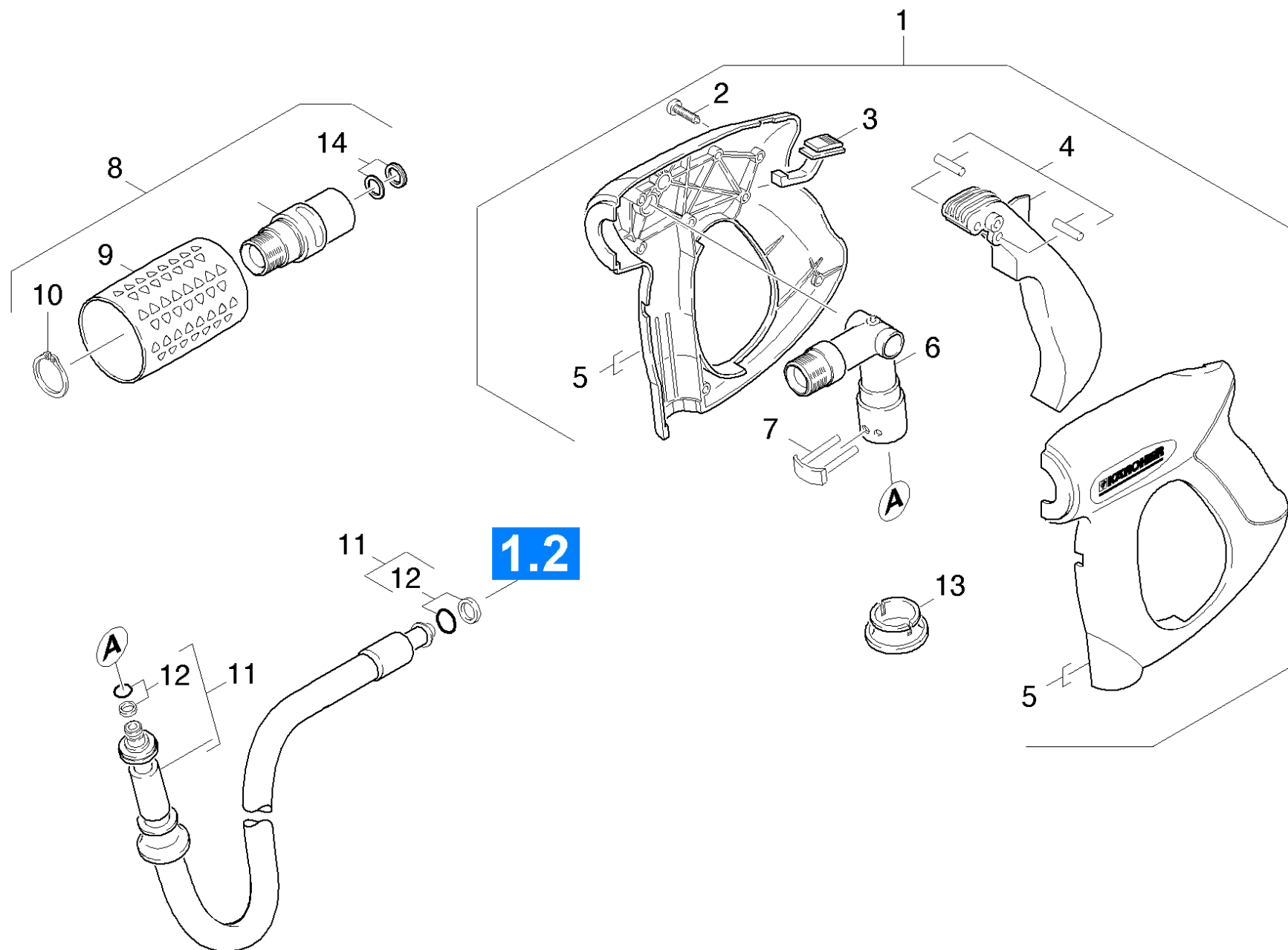
POS	Article no.	Description	Quantity	Unit
12	4.120-222.0	Wobble plate complete only for replaceme	1	PC
	<b>Item text1:</b> 1.151-656.0			
12	6.401-307.3	Wobble plate	1	PC
	<b>Item text1:</b> 1.150-651.0 / -652.0 / -653.0 / -654.0 /			
	<b>Item text2:</b> 1.150-657.0			
13	7.303-108.0	Screw 5x20 -10.9-R2R (In6Rd)	2	PC
14	6.362-161.0	O-Ring seal 19,3 X 2,4	1	PC
15	7.306-042.0	Cylinder head screw M8x25 -8.8-A2E ISO4	1	PC
	<b>Item text1:</b> 1.151-611.0/ -651.0 / -652.0 / -653.0 /			
	<b>Item text2:</b> -654.0 / -655.0 /-656.0 / 1.214-126.0			
15	9.086-169.0	Wobble plate screw M8x16	1	PC
	<b>Item text1:</b> 1.150-651.0 / -652.0 / -653.0 / -654.0 /			
	<b>Item text2:</b> 1.150-657.0			
17	6.288-016.0	Gear oil 1L	1	PC
	<b>Item text1:</b> 1.151-611.0 / -651.0 / -652.0 / -653.0 /			
	<b>Item text2:</b> -654.0 / -655.0 /-656.0 /			
17	6.288-050.0	Engine oil 1L	1	PC
	<b>Item text1:</b> 1.150-651.0/ -652.0/ -653.0/ -654.0 /			
	<b>Item text2:</b> 1.150-657.0 / 1.214-126.0			
18	5.767-005.0	Rubber buffer	4	PC
19	7.401-128.0	Ball bearing 6202-2RS -Wälzl.St DIN 625	1	PC
22	7.312-277.0	Washer 8-200HV-A2E ISO7093-1	1	PC
	<b>Item text1:</b> 1.151-611.0/ -651.0 / -652.0 / -653.0 /			
	<b>Item text2:</b> -654.0 / -655.0 /-656.0 /			
23	7.313-004.0	Spring washer B 8-FSt-A3E DIN 127	1	PC
	<b>Item text1:</b> 1.151-611.0/ -651.0 / -652.0 / -653.0 /			
	<b>Item text2:</b> -654.0 / -655.0 /-656.0 /			



## 40 Accessories

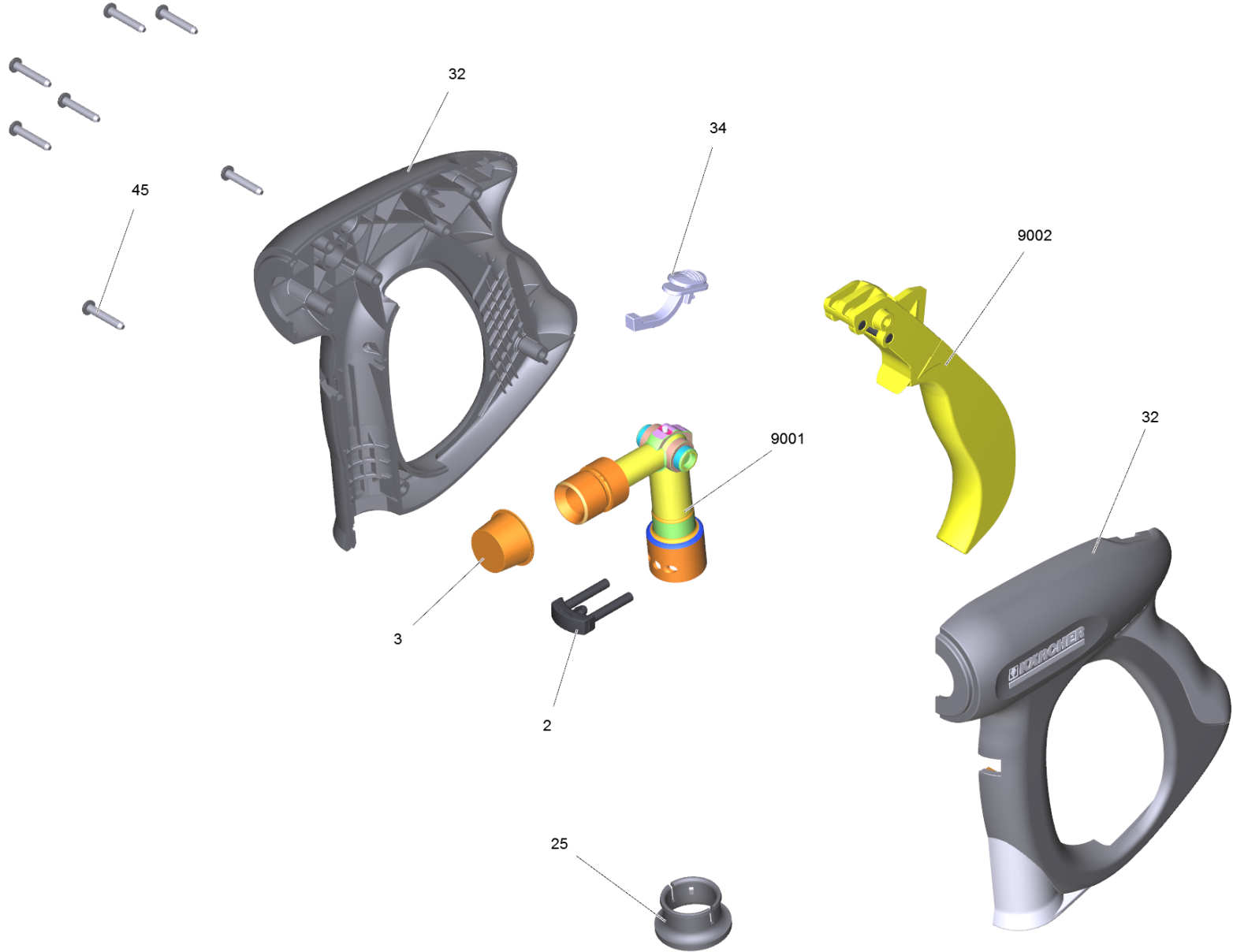
---

POS	Description	Quantity	Unit	Remark
41	Hand trigger gun	1	PC	
42	Hand trigger gun	1	PC	
43	Jet pipe	1	PC	
44	Nozzle	1	PC	VERSION 1
45	Nozzle	1	PC	VERSION 2
46	Nozzle	1	PC	



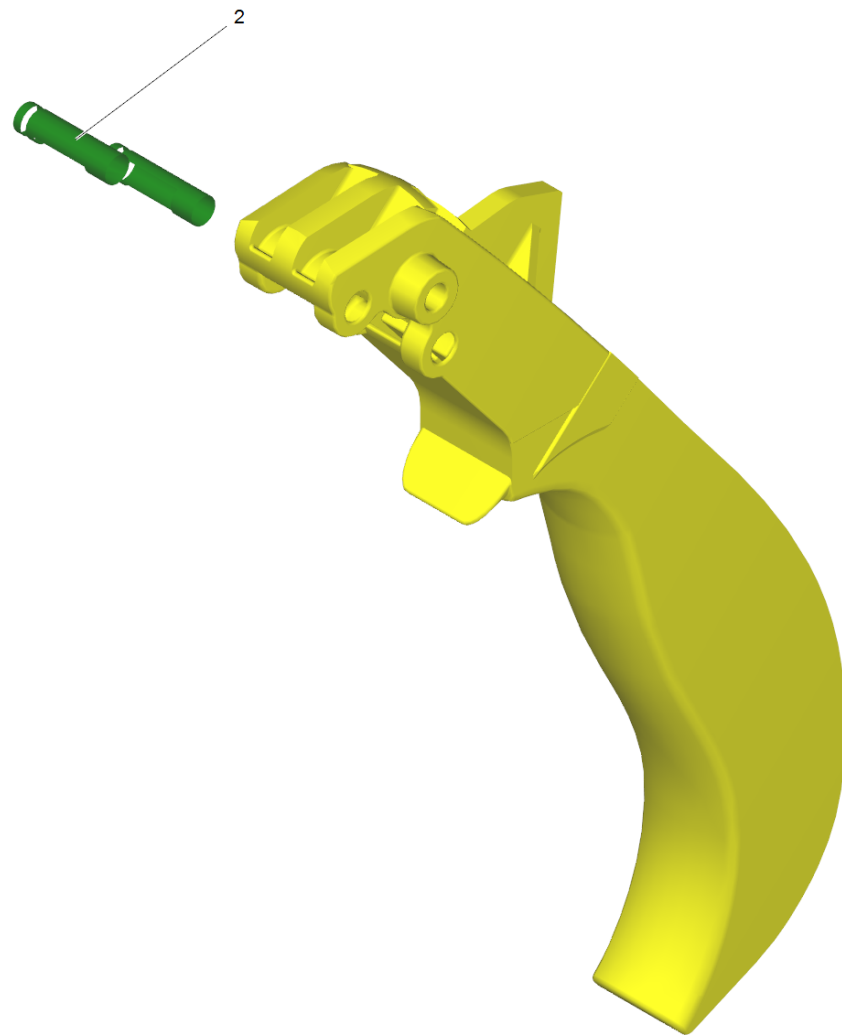
## 41 Hand trigger gun

POS	Article no.	Description	Quantity	Unit
1	4.775-463.0	HAND TRIGGER GUN EASY PRESS	1	PC
2	7.303-096.0	Screw 4x22 -ST-10.9-R2R (IN6RD)	7	PC
3	5.481-331.0	Slider	1	PC
4	4.481-209.0	Lever complete	1	PC
5	5.321-669.3	Handhold few	1	PC
6	4.427-215.0	Manifold complete only for replacement	1	PC
7	4.037-013.0	Hook	1	PC
8	4.775-526.0	Rotary controller 270 l	1	PC
		<b>Item text1:</b> 1.151-651.0/ -652.0 / -653.0 / -654.0 /		
		<b>Item text2:</b> -655.0 / -656.0 /		
9	5.321-668.0	Handle	1	PC
		<b>Item text1:</b> 1.151-651.0/ -652.0 / -653.0 / -654.0 /		
		<b>Item text2:</b> -655.0 / -656.0 /		
10	7.343-069.0	Locking ring 25x1,2-1.4122 DIN 471	1	PC
		<b>Item text1:</b> 1.151-651.0/ -652.0 / -653.0 / -654.0 /		
		<b>Item text2:</b> -655.0 / -656.0 /		
11	6.391-417.0	Hose assembly standard DN6 25MPa 15m	1	PC
		<b>Item text1:</b> 1.150-654.0 /-657.0 / 1.151-651.0 / -652.0 /-653.0 /-654.0 /-655.0 / 1.214-126.0		
11	6.392-277.0	Hose assembly premium DN6 30MPa 15m	1	PC
		<b>Item text1:</b> 1.150-651.0 /-652.0 /-653.0		
12	4.363-691.0	O-Ring seal kpl. -nur fuer Ersatz-	2	PC
13	5.110-596.0	Sleeve	1	PC
14	2.880-001.0	Spare part set seals TR	1	PC



1 HAND TRIGGER GUN EASY PRESS (4.775-463.0)

POS	Article no.	Description	Quantity	Unit
2	4.037-013.0	Hook	1	PC
3	6.368-012.0	Protecting cap 22X1,5	1	PC
4	6.869-075.0	Metal bonding agent 1,5 ml	1	PC
<b>cart_info_txt:</b> This material is not available due to hazardous good regulation. Please procure this or a similar material from a local supplier of your choice.				
25	5.110-596.0	Sleeve	1	PC
32	5.321-669.3	Handhold few	1	PC
34	5.481-331.0	Slider	1	PC
45	7.303-096.0	Screw 4x22 -ST-10.9-R2R (IN6RD)	7	PC
1041	6.288-044.0	Silicon grease 100 G	1	PC
9001	4.427-215.0	Manifold complete only for replacement	1	PC
9002	4.481-209.0	Lever complete	1	PC

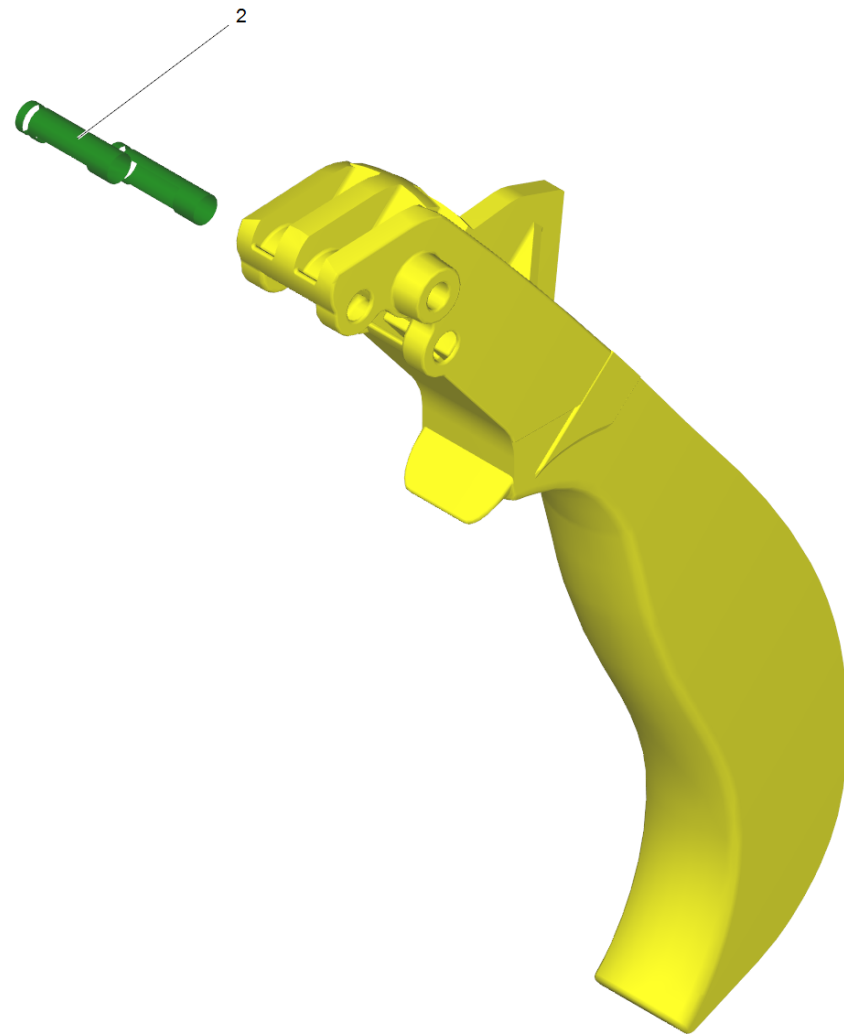


9002 Lever complete (4.481-209.0)

---

<b>POS</b>	<b>Article no.</b>	<b>Description</b>	<b>Quantity</b>	<b>Unit</b>
2	5.314-119.0	Pin	2	PC

---

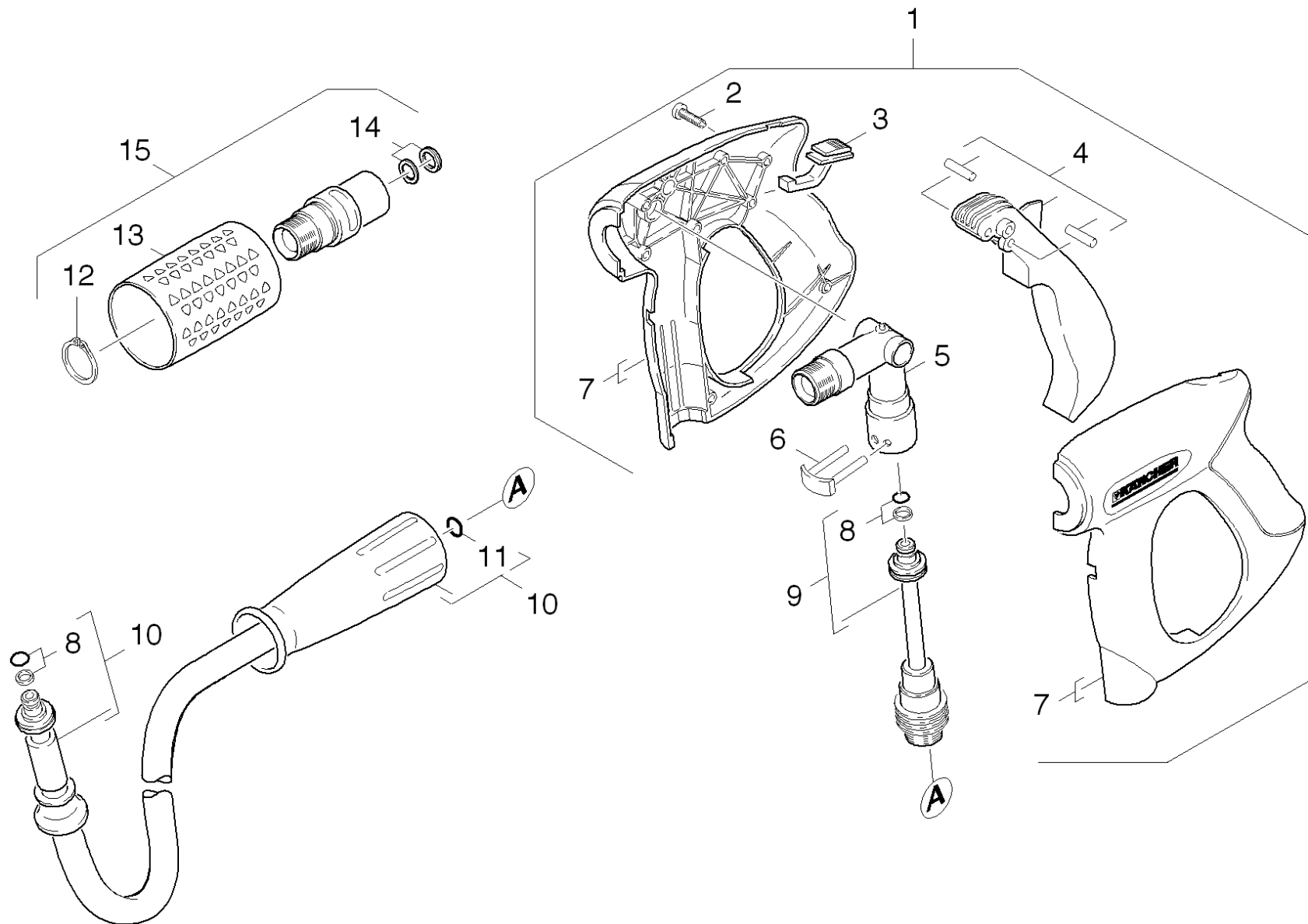




4 Lever complete (4.481-209.0)

---

POS	Article no.	Description	Quantity	Unit
2	5.314-119.0	Pin	2	PC



## 42 Hand trigger gun

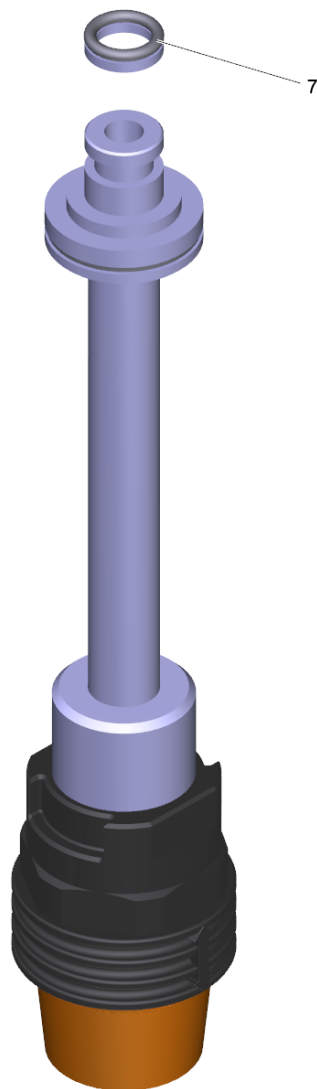
POS	Article no.	Description	Quantity	Unit
1	4.775-466.0	Hand trigger gun	1	PC
	Item text1: 1.151-611.0			
2	7.303-096.0	Screw 4x22 -ST-10.9-R2R (IN6RD)	7	PC
3	5.481-331.0	Slider	1	PC
4	4.481-209.0	Lever complete	1	PC
5	4.427-215.3	Manifold cpl. only for replacement	1	PC
6	4.037-013.0	Hook	1	PC
7	5.321-669.3	Handhold few	1	PC
8	4.363-691.0	O-Ring seal kpl. -nur fuer Ersatz-	1	PC
9	4.421-739.3	Adapter pipelines AVS-M22x1,5	1	PC
10	6.391-654.0	Hose assembly standard hygiene 15m DN6 2	1	PC
	Item text1: 1.151-611.0			
11	2.880-990.0	Spare part set O-Ring 5x -Kaercher	1	PC
12	7.343-008.0	Locking ring 25x1,2-St-vz DIN 471	1	PC
13	5.321-668.0	Handle	1	PC
14	2.880-001.0	Spare part set seals TR	1	PC
15	4.775-526.0	Rotary controller 270 I	1	PC



## 1 Hand trigger gun (4.775-466.0)

---

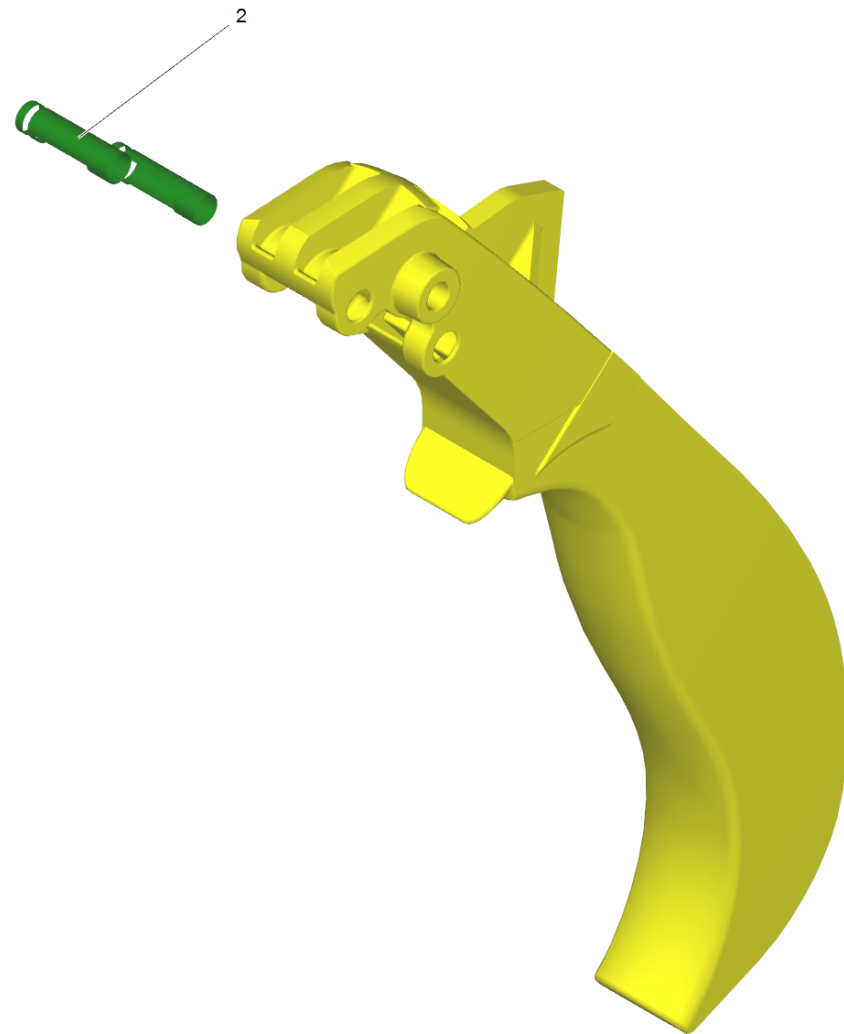
<b>POS</b>	<b>Article no.</b>	<b>Description</b>	<b>Quantity</b>	<b>Unit</b>
2	4.037-013.0	Hook	1	PC
32	5.321-669.3	Handhold few	1	PC
34	5.481-331.0	Slider	1	PC
45	7.303-096.0	Screw 4x22 -ST-10.9-R2R (IN6RD)	7	PC
60	4.421-739.3	Adapter pipelines AVS-M22x1,5	1	PC
9001	4.427-215.0	Manifold complete only for replacement	1	PC
9002	4.481-209.0	Lever complete	1	PC



60 Adapter pipelines AVS-M22x1,5 (4.421-739.3)

---

POS	Article no.	Description	Quantity	Unit
7	4.363-691.0	O-Ring seal kpl. -nur fuer Ersatz-	1	PC



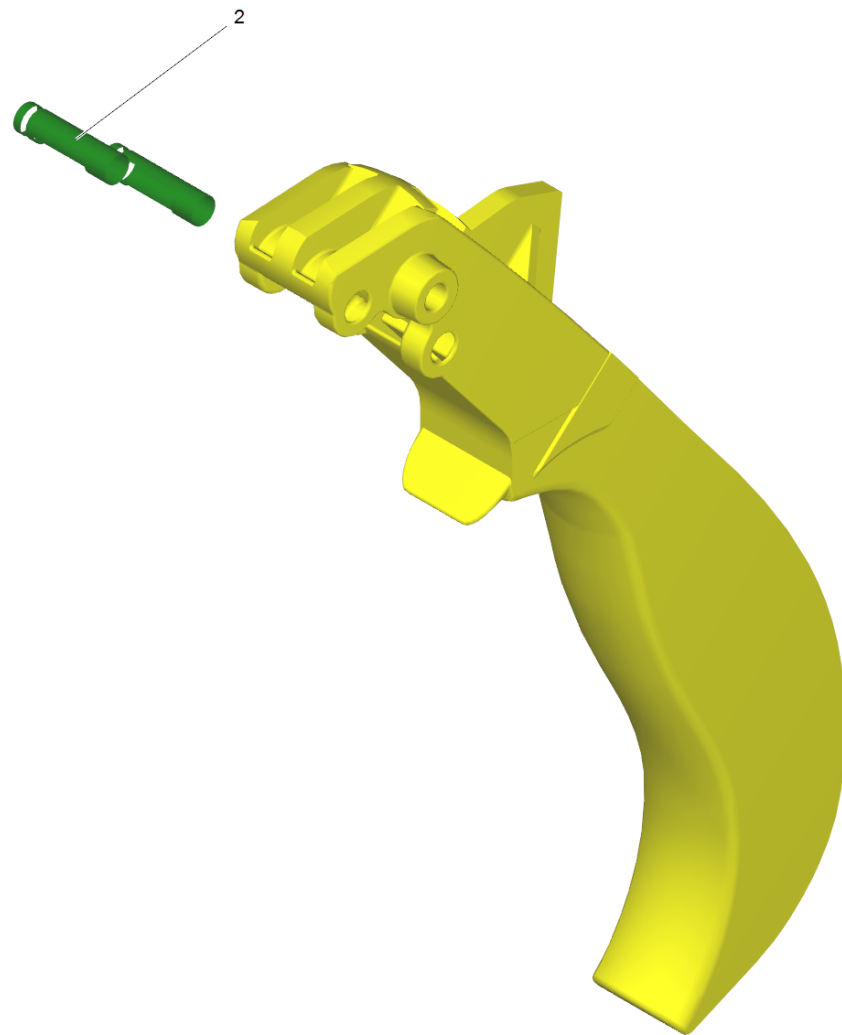


9002 Lever complete (4.481-209.0)

---

POS	Article no.	Description	Quantity	Unit
2	5.314-119.0	Pin	2	PC

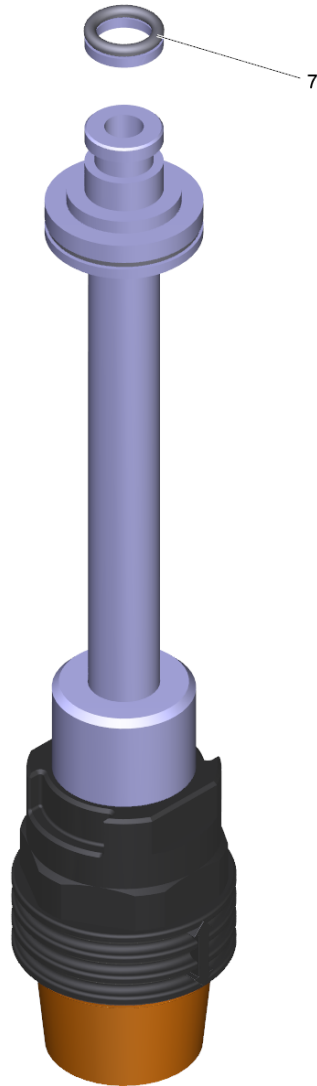
---



4 Lever complete (4.481-209.0)

---

POS	Article no.	Description	Quantity	Unit
2	5.314-119.0	Pin	2	PC



9 Adapter pipelines AVS-M22x1,5 (4.421-739.3)

---

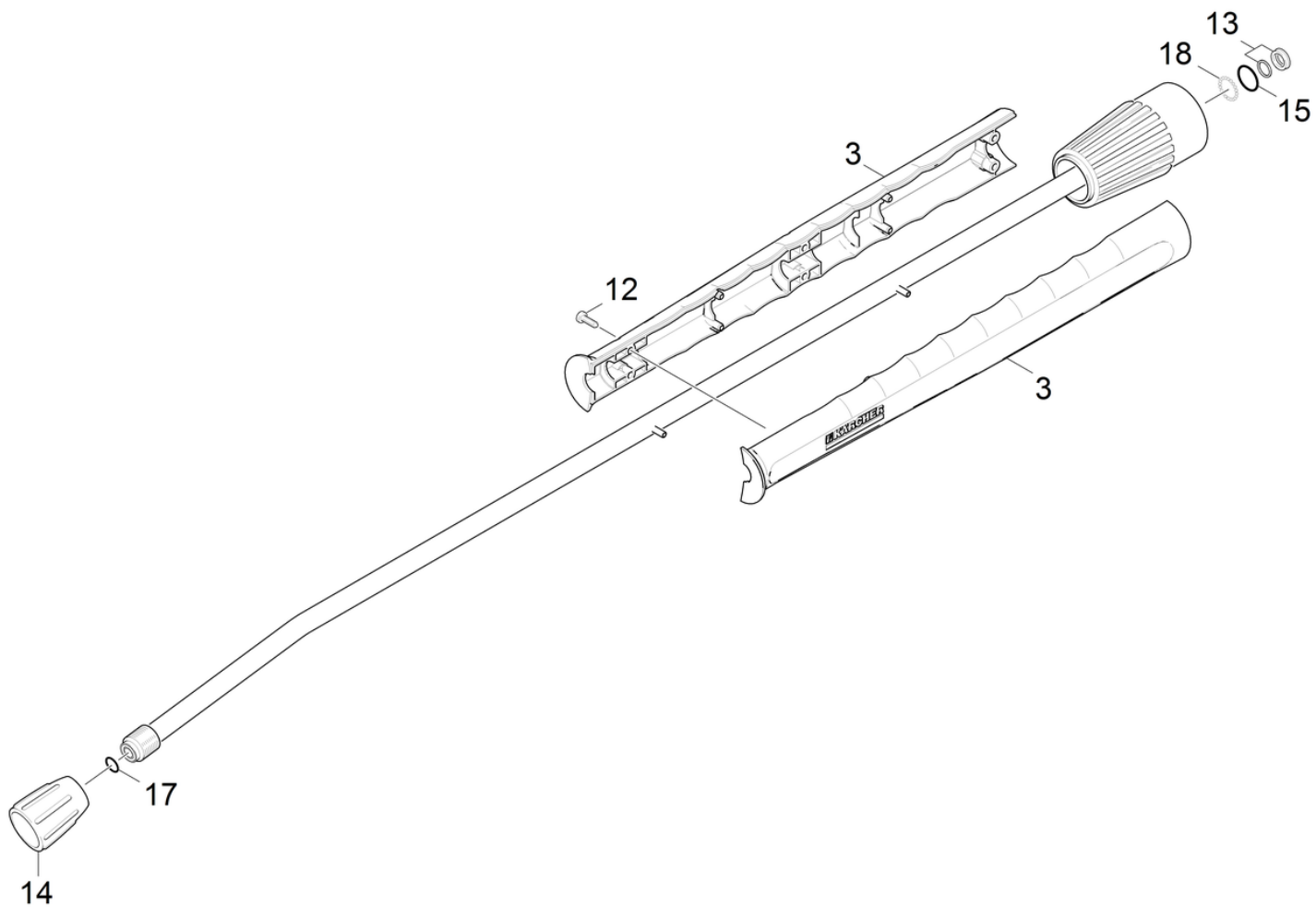
POS	Article no.	Description	Quantity	Unit
7	4.363-691.0	O-Ring seal kpl. -nur fuer Ersatz-	1	PC



## 43 Jet pipe

---

POS	Article no.	Description	Quantity	Unit	Remark
1	4.760-663.0	Jet pipe packaged only for replacement	1	PC	
2	7.303-129.0	Screw 4x16 -10.9-R2R (K-In6Rd)	6	PC	
3	5.321-691.0	Handhold few jet pipe	1	PC	VERSION 1
3	5.321-855.0	Handhold few jet pipe with welding bolt	1	PC	VERSION 2
4	2.880-990.0	Spare part set O-Ring 5x -Kaercher	1	PC	
5	7.401-915.0	Sphere 2,5 G40 -1.4034 DIN 5401	20	PC	
6	4.363-692.0	Grooved ring kpl. -nur fuer Ersatz-	1	PC	
7	6.362-524.0	O-Ring seal 17,0 X 1,5	1	PC	

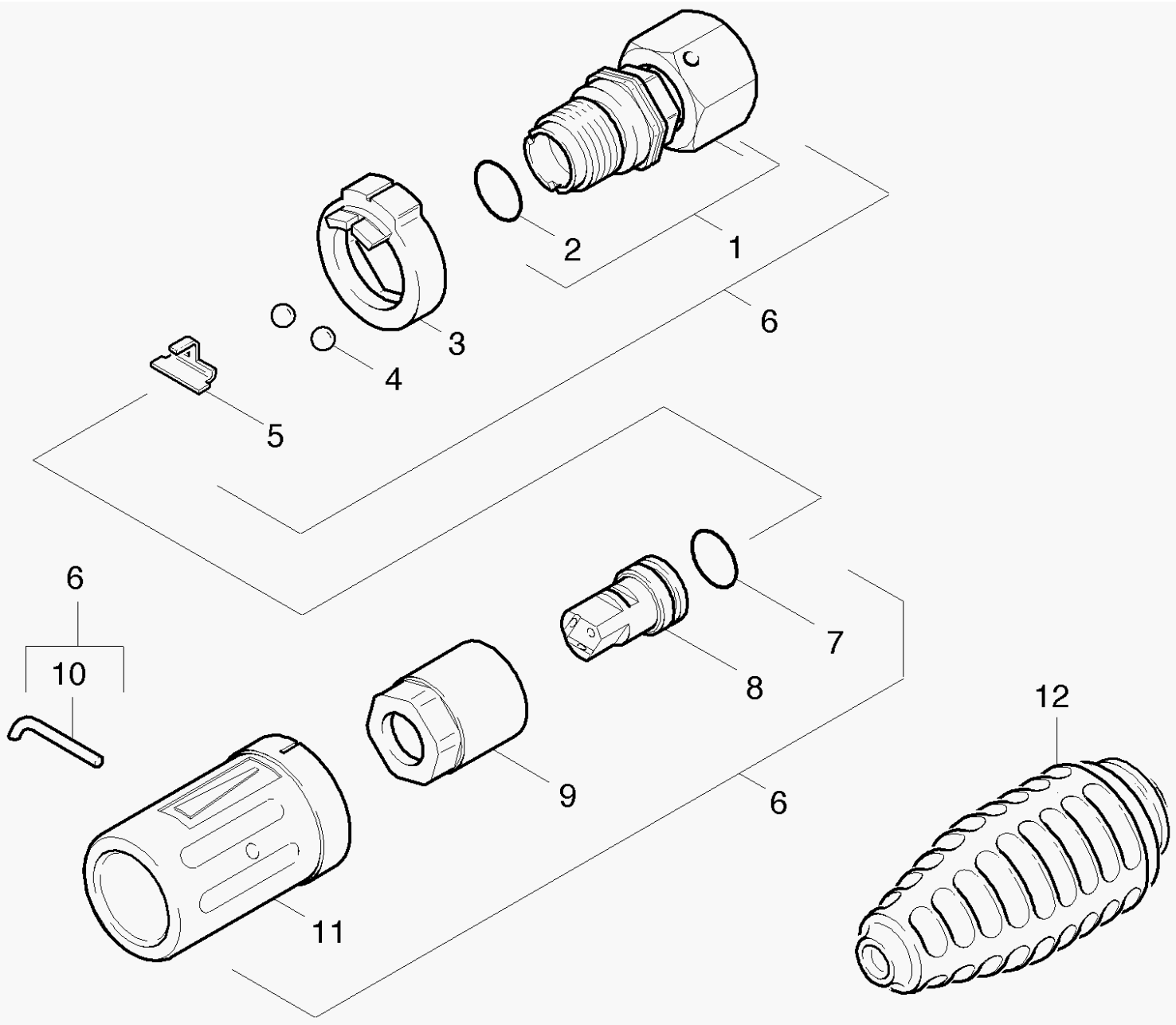




1 Jet pipe packaged only for replacement (4.760-663.0)

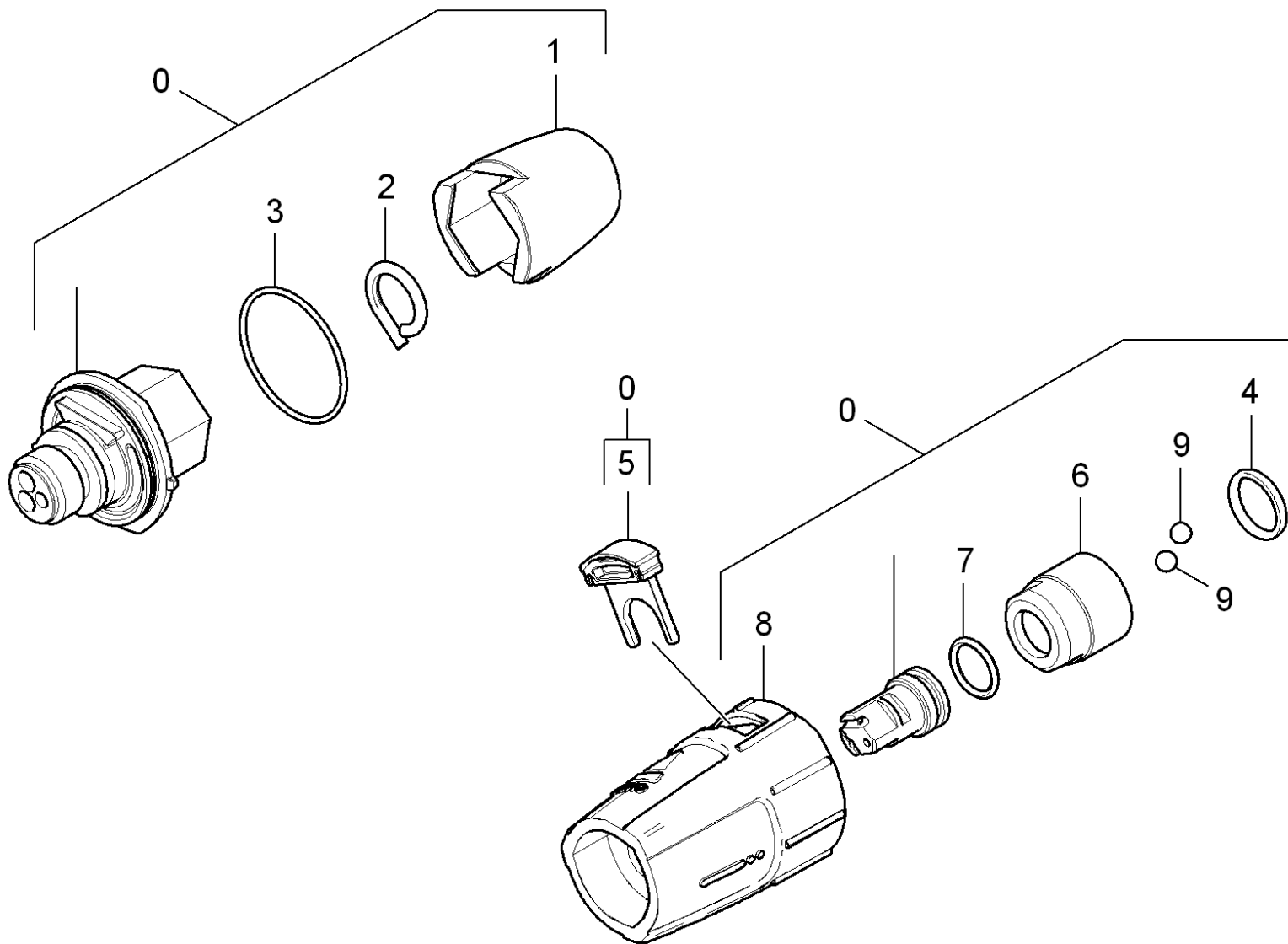
---

POS	Article no.	Description	Quantity	Unit
3	5.321-855.0	Handhold few jet pipe with welding bolt	1	PC
12	7.303-129.0	Screw 4x16 -10.9-R2R (K-In6Rd)	6	PC
13	4.363-692.0	Grooved ring kpl. -nur fuer Ersatz-	1	PC
14	5.401-210.0	Screw connector part	1	PC
15	6.362-524.0	O-Ring seal 17,0 X 1,5	1	PC
17	7.362-501.0	O-Ring seal 10x2 EPDM 70 DIN 3770	1	PC
18	7.401-915.0	Sphere 2,5 G40 -1.4034 DIN 5401	20	PC



## 44 Nozzle

POS	Article no.	Description	Quantity	Unit
1	4.402-042.0	Screw union	1	PC
2	6.362-460.0	O-Ring seal 14,0 X 2,5-NBR 70	1	PC
3	5.030-528.0	Moulded part	1	PC
4	7.401-902.0	Sphere 5 G20 -1.4034 DIN 5401	2	PC
5	5.042-405.0	Holder	1	PC
6	7.777-999.0	Stockpiling discontinued	1	PC
7	6.362-480.0	O-Ring seal 12,42x 1,78	1	PC
8	5.415-606.0	Triple jet nozzle 045	1	PC
	<b>Item text1:</b> 1.151-655.0 / -656.0 /			
8	6.415-571.0	Triple jet nozzle 060	1	PC
	<b>Item text1:</b> 1.151-611.0			
8	5.415-604.0	Triple jet nozzle 042	1	PC
	<b>Item text1:</b> 1.151-651.0 / -652.0 / -653.0 / -654.0			
8	5.415-605.0	Triple jet nozzle 043	1	PC
	<b>Item text1:</b> 1.150-652.0			
8	5.415-600.0	Triple jet nozzle 034	1	PC
	<b>Item text1:</b> 1.150-651.0/ -653.0 / -654.0 / -657.0			
9	5.311-117.0	Hexagon nut	1	PC
10	5.037-059.0	Hook	1	PC
11	5.394-269.0	Protection part	1	PC
12	4.767-022.0	Dirt blaster 035	1	PC
	<b>Item text1:</b> 1.150-653.0 / -654.0			
12	4.767-100.0	Dirt blaster 045	1	PC
	<b>Item text1:</b> 1.151-653.0/-654.0			



## 45 Nozzle

POS	Article no.	Description	Quantity	Unit
0	4.767-147.0	Triple jet nozzle replacement 034 <b>Item text1:</b> 1.150-651.0 /-653.0 /-654.0 /-657.0 / <b>Item text2:</b> / 1.214-126.0	1	PC
0	4.767-151.0	Triple jet nozzle only for replacement 0 <b>Item text1:</b> 1.151-651.0 /-652.0 /-653.0 /-654.0 /	1	PC
0	4.767-152.0	Triple jet nozzle only for replacement 0 <b>Item text1:</b> 1.150-652.0 /	1	PC
0	4.767-153.0	Triple jet nozzle only for replacement 0 <b>Item text1:</b> 1.151-655.0 /-656.0 /	1	PC
0	4.767-157.0	Triple jet nozzle only for replacement 0 <b>Item text1:</b> 1.151-611.0 /	1	PC
1	5.394-530.0	Protection part complete	1	PC
2	6.343-150.0	Pin 03	1	PC
3	6.362-409.0	O-Ring seal 32,0 X 1,5	1	PC
4	6.362-460.0	O-Ring seal 14,0 X 2,5-NBR 70	1	PC
5	5.321-884.0	Clamp	1	PC
6	5.311-225.0	Nut	1	PC
7	6.362-480.0	O-Ring seal 12,42x 1,78	1	PC
8	5.394-859.0	Protection part	1	PC
9	7.401-902.0	Sphere 5 G20 -1.4034 DIN 5401	2	PC

Triple jet nozzle replacement 034 (4.767-147.0)

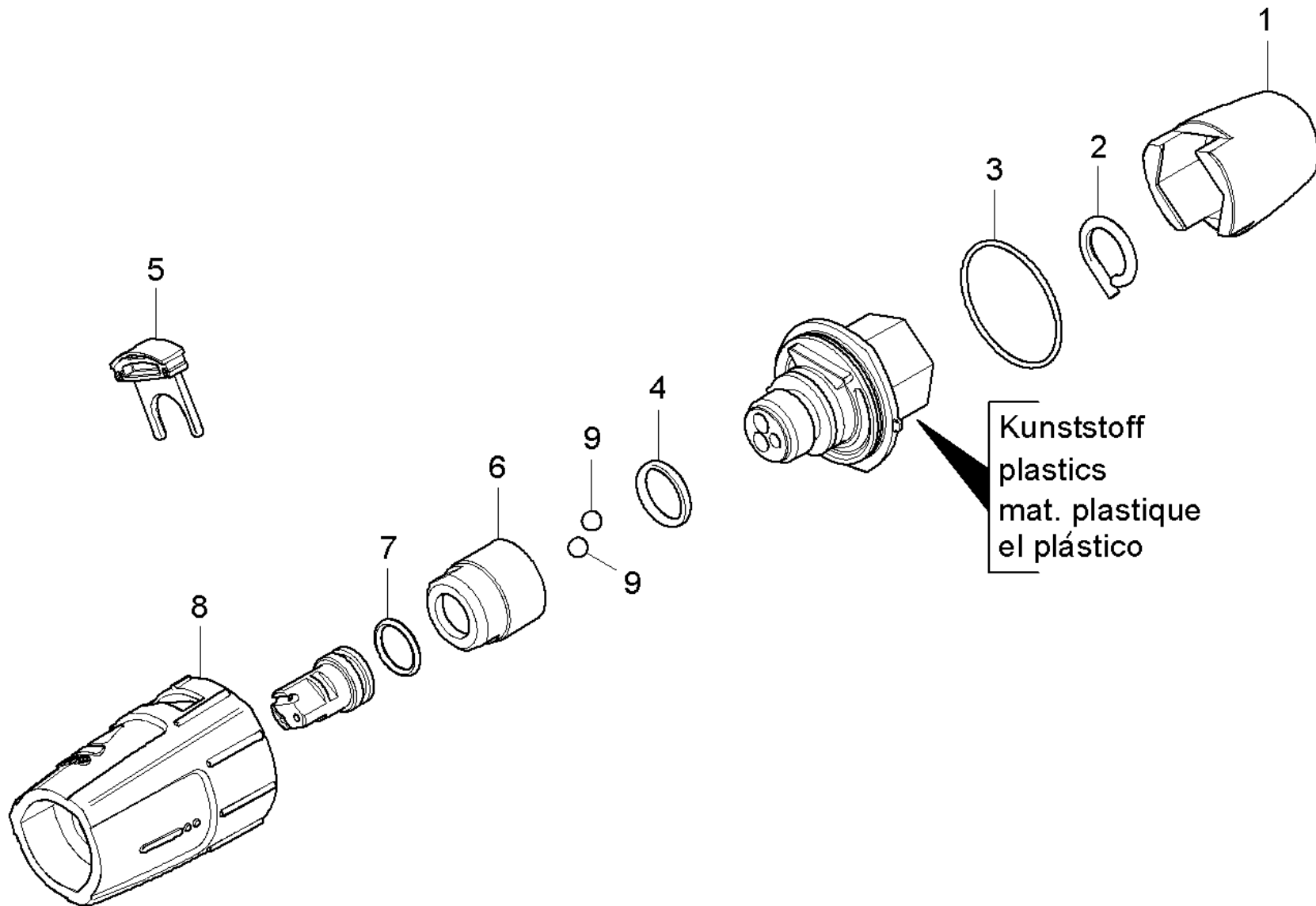
---

POS	Article no.	Description	Quantity	Unit
2	5.970-837.0	Spare parts list triple jet nozzle	1	PC

2 Spare parts list triple jet nozzle (5.970-837.0)

---

<b>POS</b>	<b>Description</b>	<b>Quantity</b>	<b>Unit</b>
10	Triple jet nozzle plastics	1	PC
20	Triple jet nozzle brass	1	PC

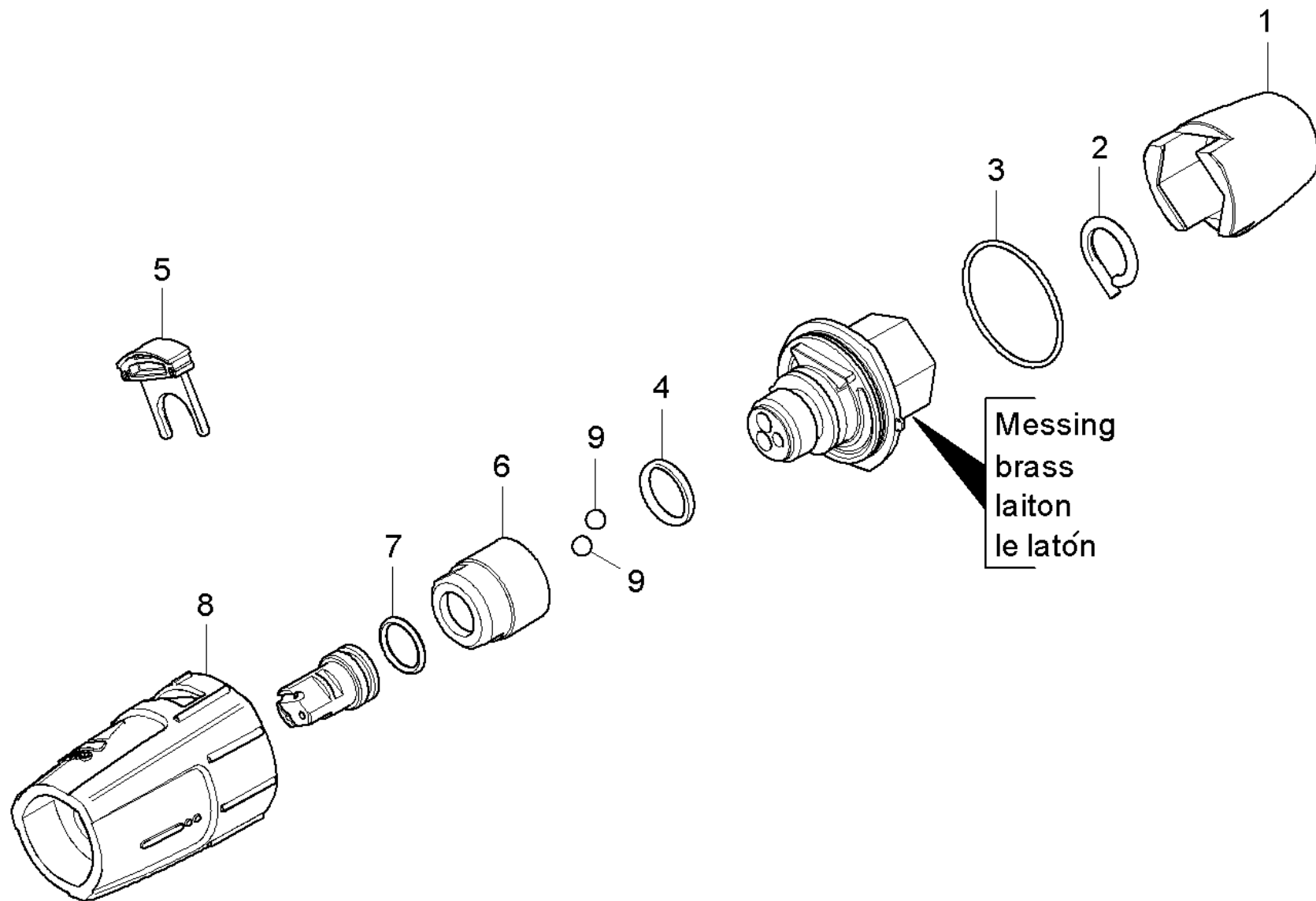




## 10 Triple jet nozzle plastics

---

<b>POS</b>	<b>Article no.</b>	<b>Description</b>	<b>Quantity</b>	<b>Unit</b>
1	5.394-530.0	Protection part complete	1	PC
2	6.343-150.0	Pin 03	1	PC
3	6.362-409.0	O-Ring seal 32,0 X 1,5	1	PC
4	7.362-039.0	O-Ring seal 15,5x1,5 -NBR70 DIN 3771	1	PC
5	5.321-884.0	Clamp	1	PC
6	5.311-236.0	Nut	1	PC
7	6.362-480.0	O-Ring seal 12,42x 1,78	1	PC
8	5.394-874.0	Protection part	1	PC
9	7.401-902.0	Sphere 5 G20 -1.4034 DIN 5401	2	PC



## 20 Triple jet nozzle brass

---

<b>POS</b>	<b>Article no.</b>	<b>Description</b>	<b>Quantity</b>	<b>Unit</b>
1	5.394-530.0	Protection part complete	1	PC
2	6.343-150.0	Pin 03	1	PC
3	6.362-409.0	O-Ring seal 32,0 X 1,5	1	PC
4	6.362-460.0	O-Ring seal 14,0 X 2,5-NBR 70	1	PC
5	5.321-884.0	Clamp	1	PC
6	5.311-225.0	Nut	1	PC
7	6.362-480.0	O-Ring seal 12,42x 1,78	1	PC
8	5.394-859.0	Protection part	1	PC
9	7.401-902.0	Sphere 5 G20 -1.4034 DIN 5401	2	PC

Triple jet nozzle only for replacement 0 (4.767-151.0)

---

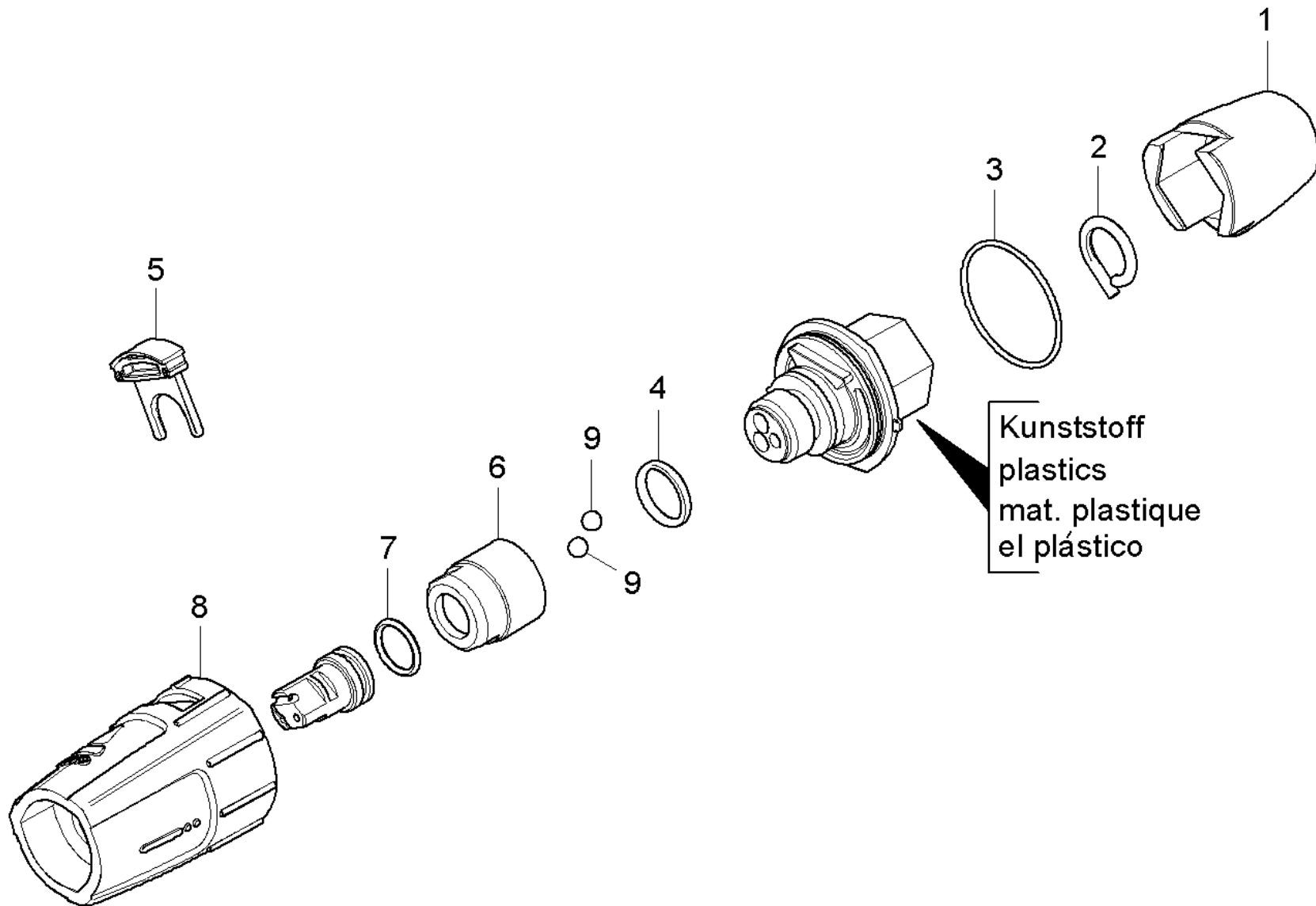
<b>POS</b>	<b>Article no.</b>	<b>Description</b>	<b>Quantity</b>	<b>Unit</b>
2	5.970-837.0	Spare parts list triple jet nozzle	1	PC

---

2 Spare parts list triple jet nozzle (5.970-837.0)

---

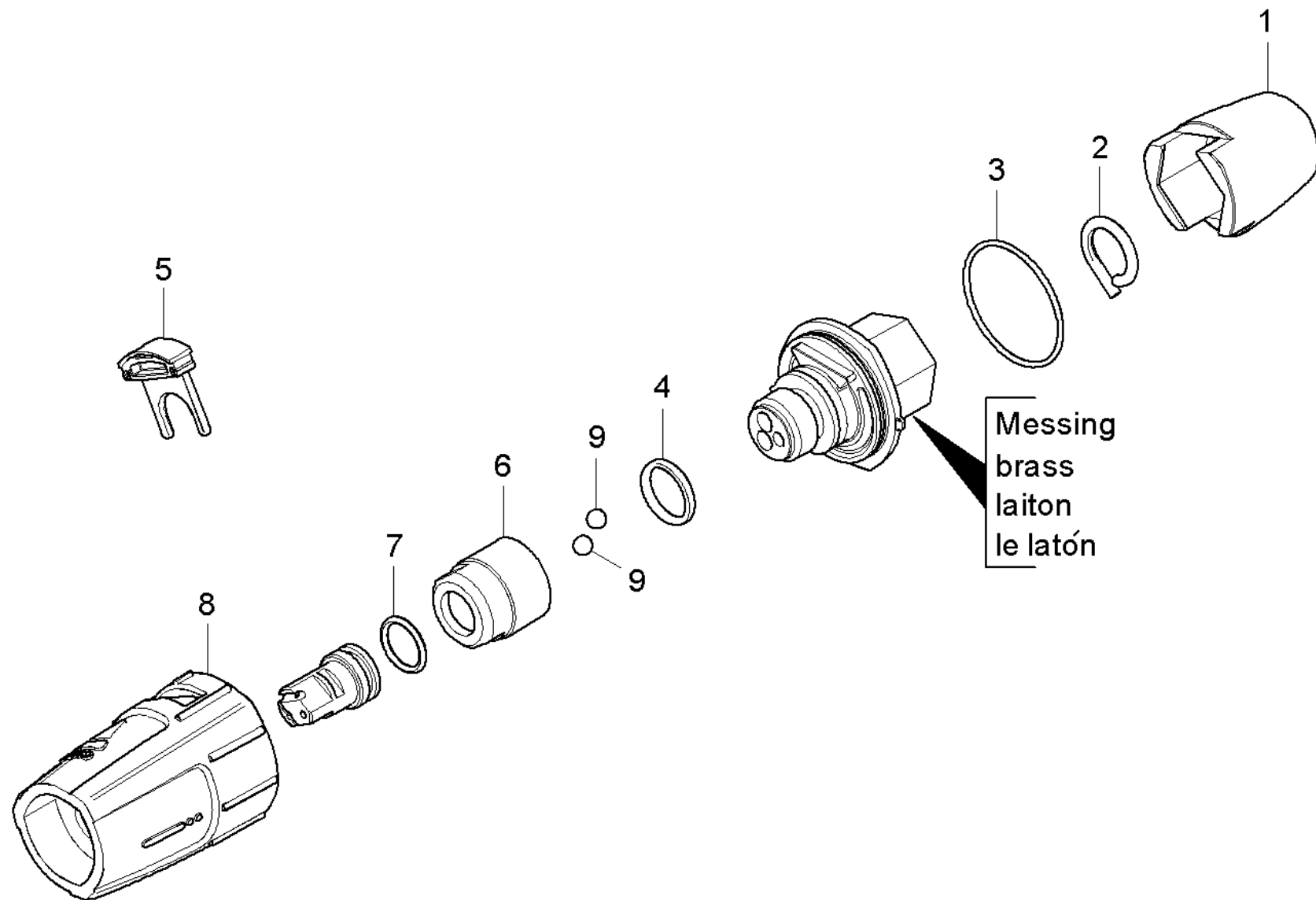
<b>POS</b>	<b>Description</b>	<b>Quantity</b>	<b>Unit</b>
10	Triple jet nozzle plastics	1	PC
20	Triple jet nozzle brass	1	PC



## 10 Triple jet nozzle plastics

---

<b>POS</b>	<b>Article no.</b>	<b>Description</b>	<b>Quantity</b>	<b>Unit</b>
1	5.394-530.0	Protection part complete	1	PC
2	6.343-150.0	Pin 03	1	PC
3	6.362-409.0	O-Ring seal 32,0 X 1,5	1	PC
4	7.362-039.0	O-Ring seal 15,5x1,5 -NBR70 DIN 3771	1	PC
5	5.321-884.0	Clamp	1	PC
6	5.311-236.0	Nut	1	PC
7	6.362-480.0	O-Ring seal 12,42x 1,78	1	PC
8	5.394-874.0	Protection part	1	PC
9	7.401-902.0	Sphere 5 G20 -1.4034 DIN 5401	2	PC

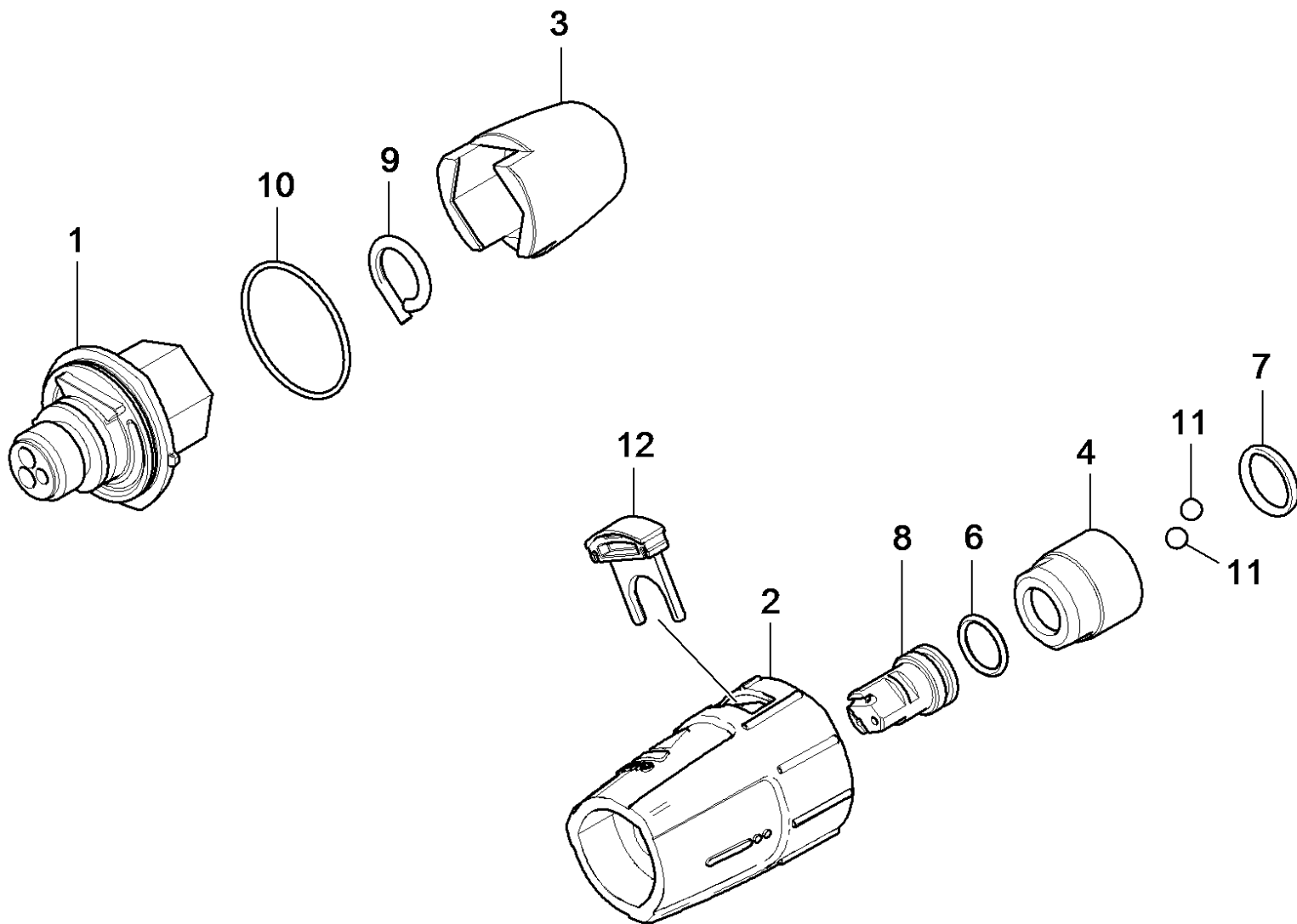




## 20 Triple jet nozzle brass

---

<b>POS</b>	<b>Article no.</b>	<b>Description</b>	<b>Quantity</b>	<b>Unit</b>
1	5.394-530.0	Protection part complete	1	PC
2	6.343-150.0	Pin 03	1	PC
3	6.362-409.0	O-Ring seal 32,0 X 1,5	1	PC
4	6.362-460.0	O-Ring seal 14,0 X 2,5-NBR 70	1	PC
5	5.321-884.0	Clamp	1	PC
6	5.311-225.0	Nut	1	PC
7	6.362-480.0	O-Ring seal 12,42x 1,78	1	PC
8	5.394-859.0	Protection part	1	PC
9	7.401-902.0	Sphere 5 G20 -1.4034 DIN 5401	2	PC



Triple jet nozzle only for replacement 0 (4.767-152.0)

POS	Article no.	Description	Quantity	Unit
1		Distributor	1	PC
2	5.394-859.0	Protection part	1	PC
3	5.394-530.0	Protection part complete	1	PC
4	5.311-225.0	Nut	1	PC
6	6.362-480.0	O-Ring seal 12,42x 1,78	1	PC
7	6.362-460.0	O-Ring seal 14,0 X 2,5-NBR 70	1	PC
8	5.415-605.0	Triple jet nozzle 043	1	PC
9	6.343-150.0	Pin 03	1	PC
10	6.362-409.0	O-Ring seal 32,0 X 1,5	1	PC
11	7.401-902.0	Sphere 5 G20 -1.4034 DIN 5401	2	PC
12	5.321-884.0	Clamp	1	PC

Triple jet nozzle only for replacement 0 (4.767-153.0)

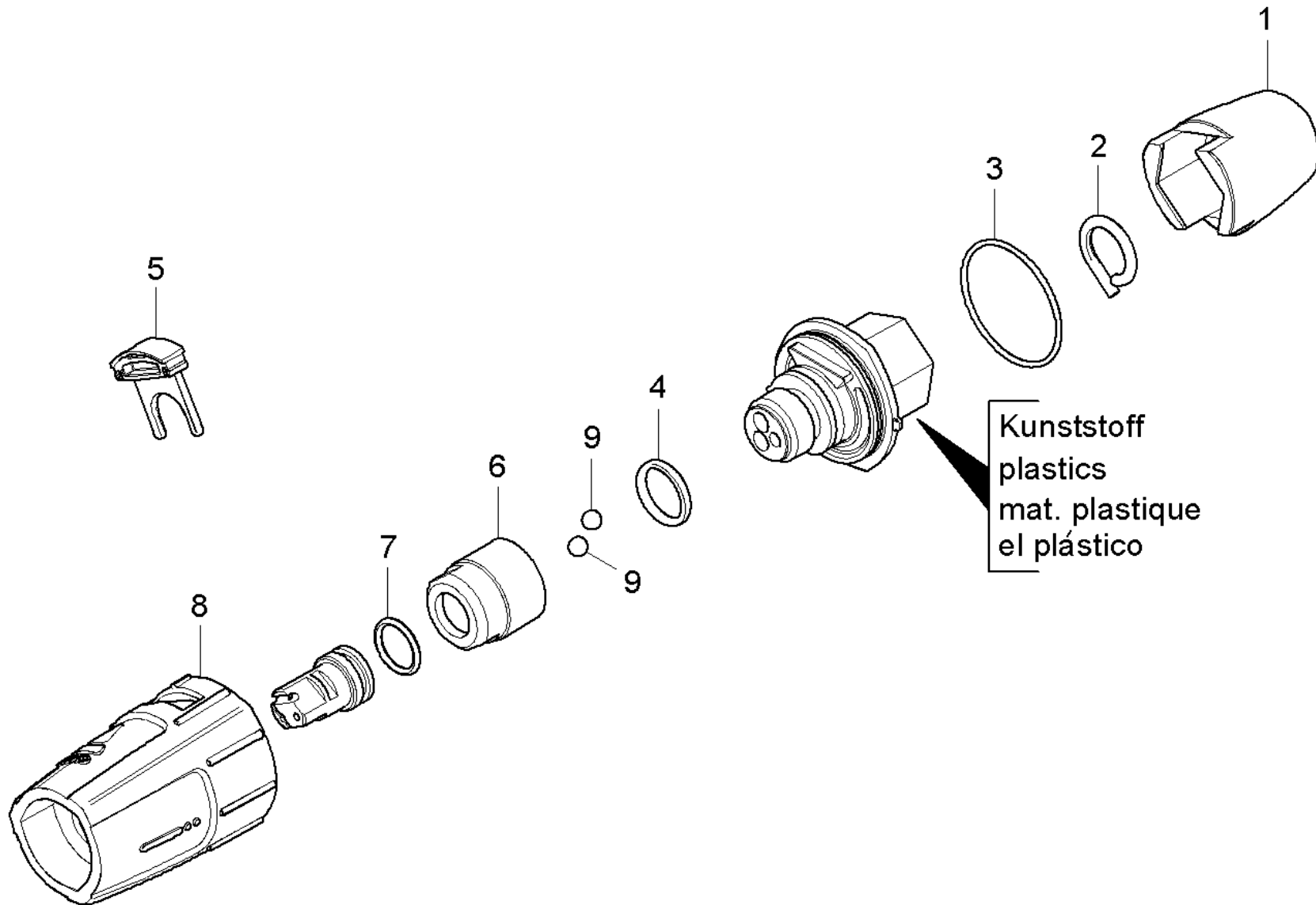
---

<b>POS</b>	<b>Article no.</b>	<b>Description</b>	<b>Quantity</b>	<b>Unit</b>
2	5.970-837.0	Spare parts list triple jet nozzle	1	PC

2 Spare parts list triple jet nozzle (5.970-837.0)

---

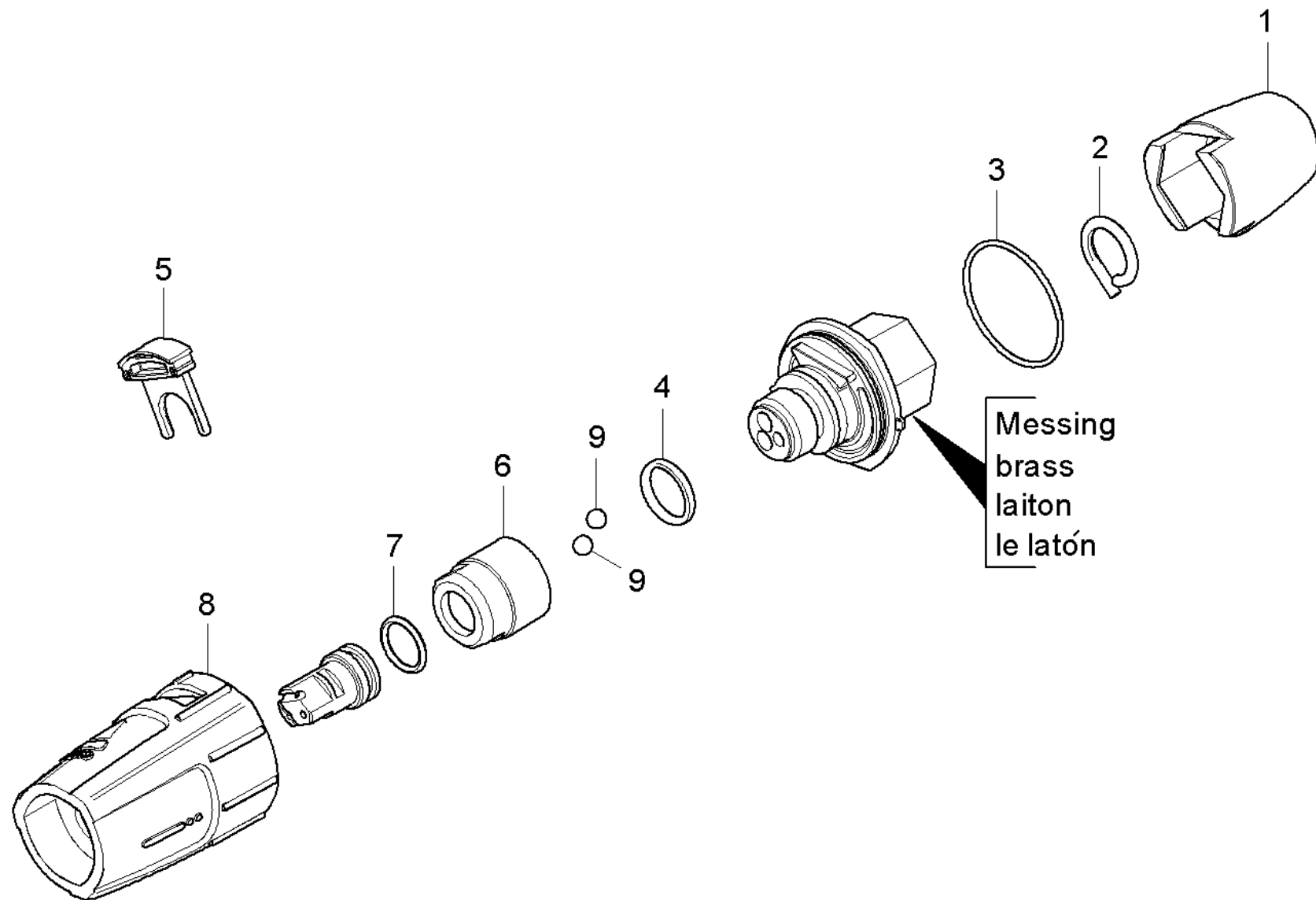
<b>POS</b>	<b>Description</b>	<b>Quantity</b>	<b>Unit</b>
10	Triple jet nozzle plastics	1	PC
20	Triple jet nozzle brass	1	PC



## 10 Triple jet nozzle plastics

---

<b>POS</b>	<b>Article no.</b>	<b>Description</b>	<b>Quantity</b>	<b>Unit</b>
1	5.394-530.0	Protection part complete	1	PC
2	6.343-150.0	Pin 03	1	PC
3	6.362-409.0	O-Ring seal 32,0 X 1,5	1	PC
4	7.362-039.0	O-Ring seal 15,5x1,5 -NBR70 DIN 3771	1	PC
5	5.321-884.0	Clamp	1	PC
6	5.311-236.0	Nut	1	PC
7	6.362-480.0	O-Ring seal 12,42x 1,78	1	PC
8	5.394-874.0	Protection part	1	PC
9	7.401-902.0	Sphere 5 G20 -1.4034 DIN 5401	2	PC





## 20 Triple jet nozzle brass

---

<b>POS</b>	<b>Article no.</b>	<b>Description</b>	<b>Quantity</b>	<b>Unit</b>
1	5.394-530.0	Protection part complete	1	PC
2	6.343-150.0	Pin 03	1	PC
3	6.362-409.0	O-Ring seal 32,0 X 1,5	1	PC
4	6.362-460.0	O-Ring seal 14,0 X 2,5-NBR 70	1	PC
5	5.321-884.0	Clamp	1	PC
6	5.311-225.0	Nut	1	PC
7	6.362-480.0	O-Ring seal 12,42x 1,78	1	PC
8	5.394-859.0	Protection part	1	PC
9	7.401-902.0	Sphere 5 G20 -1.4034 DIN 5401	2	PC

Triple jet nozzle only for replacement 0 (4.767-157.0)

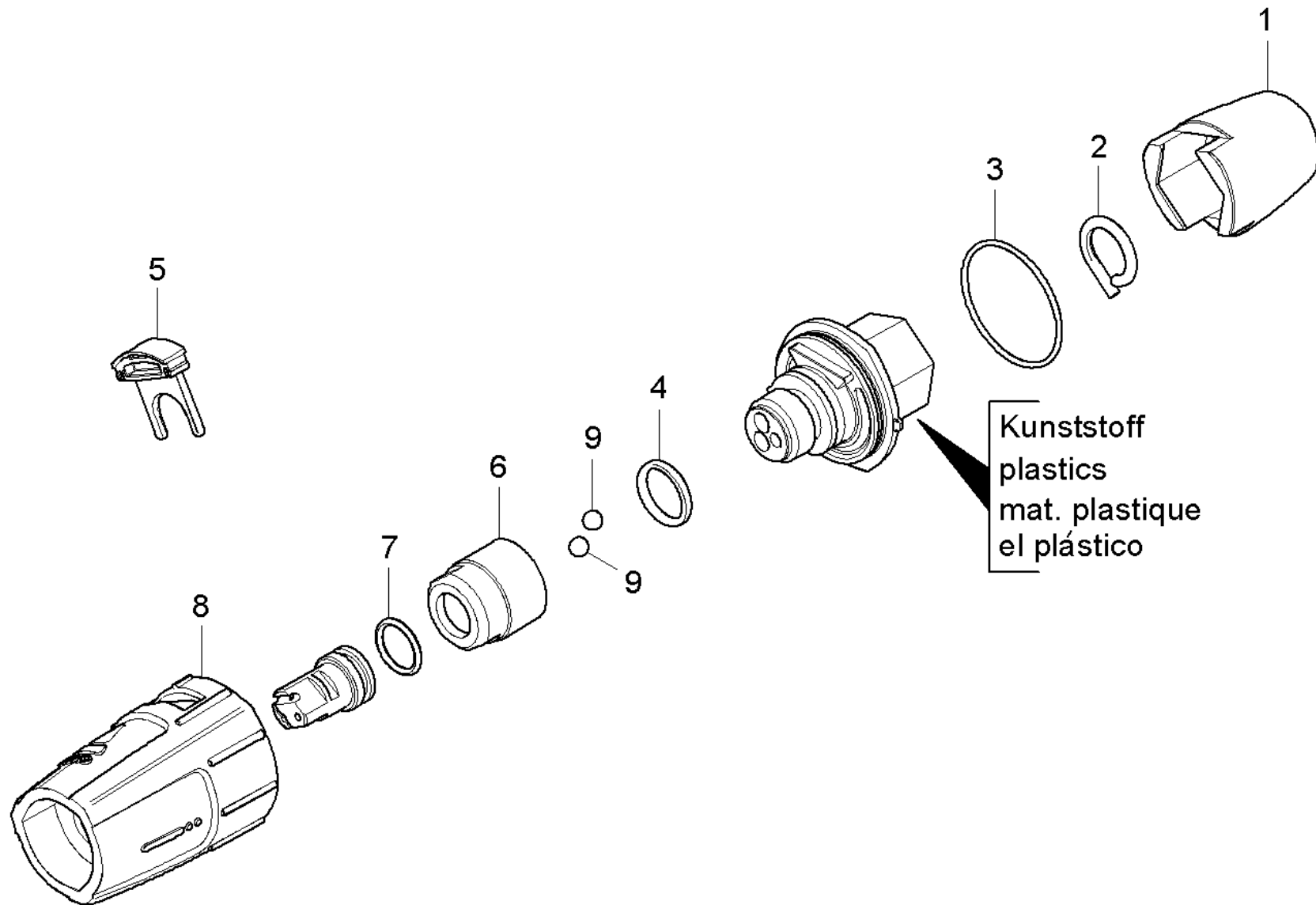
---

<b>POS</b>	<b>Article no.</b>	<b>Description</b>	<b>Quantity</b>	<b>Unit</b>
2	5.970-837.0	Spare parts list triple jet nozzle	1	PC

2 Spare parts list triple jet nozzle (5.970-837.0)

---

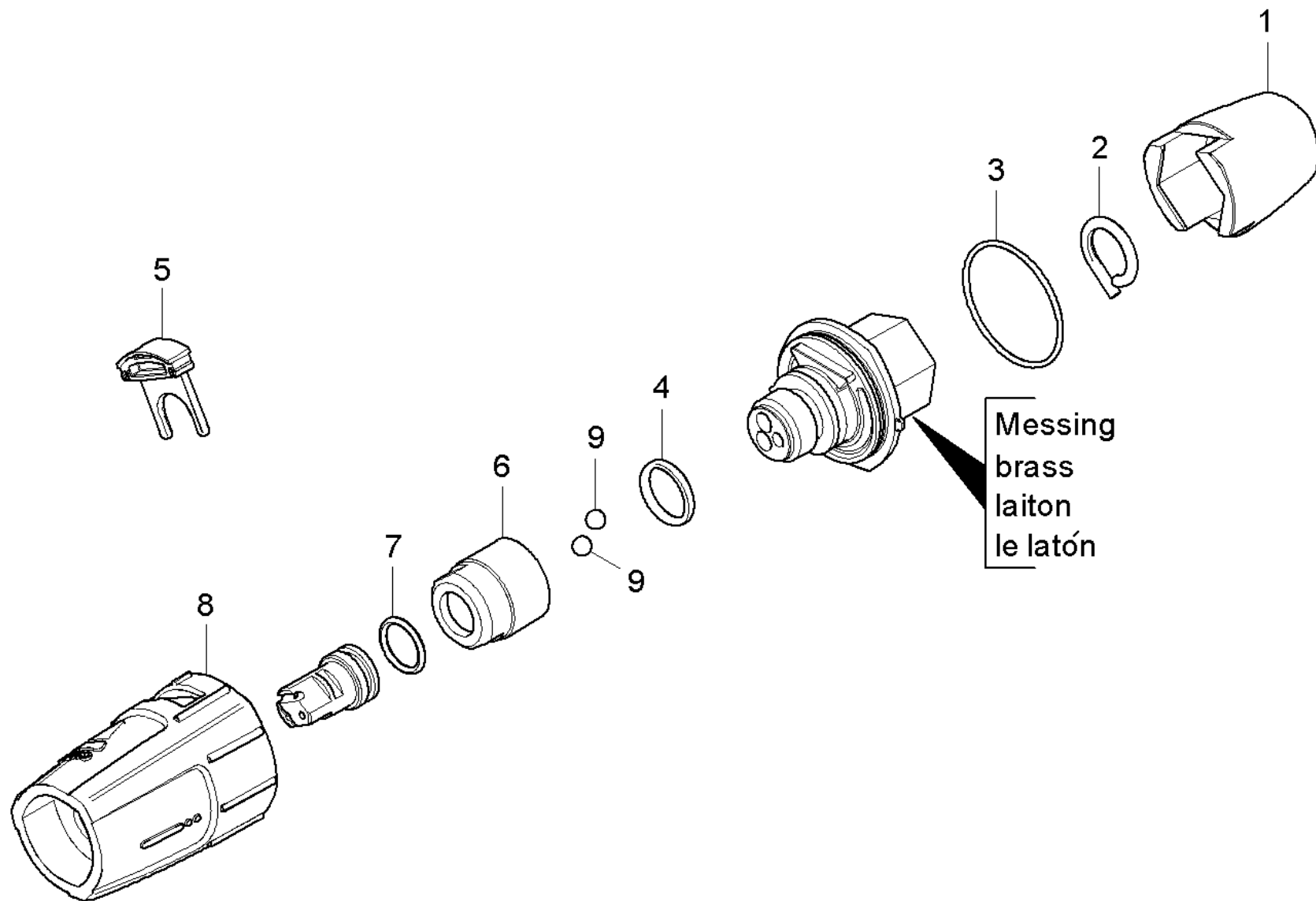
<b>POS</b>	<b>Description</b>	<b>Quantity</b>	<b>Unit</b>
10	Triple jet nozzle plastics	1	PC
20	Triple jet nozzle brass	1	PC



## 10 Triple jet nozzle plastics

---

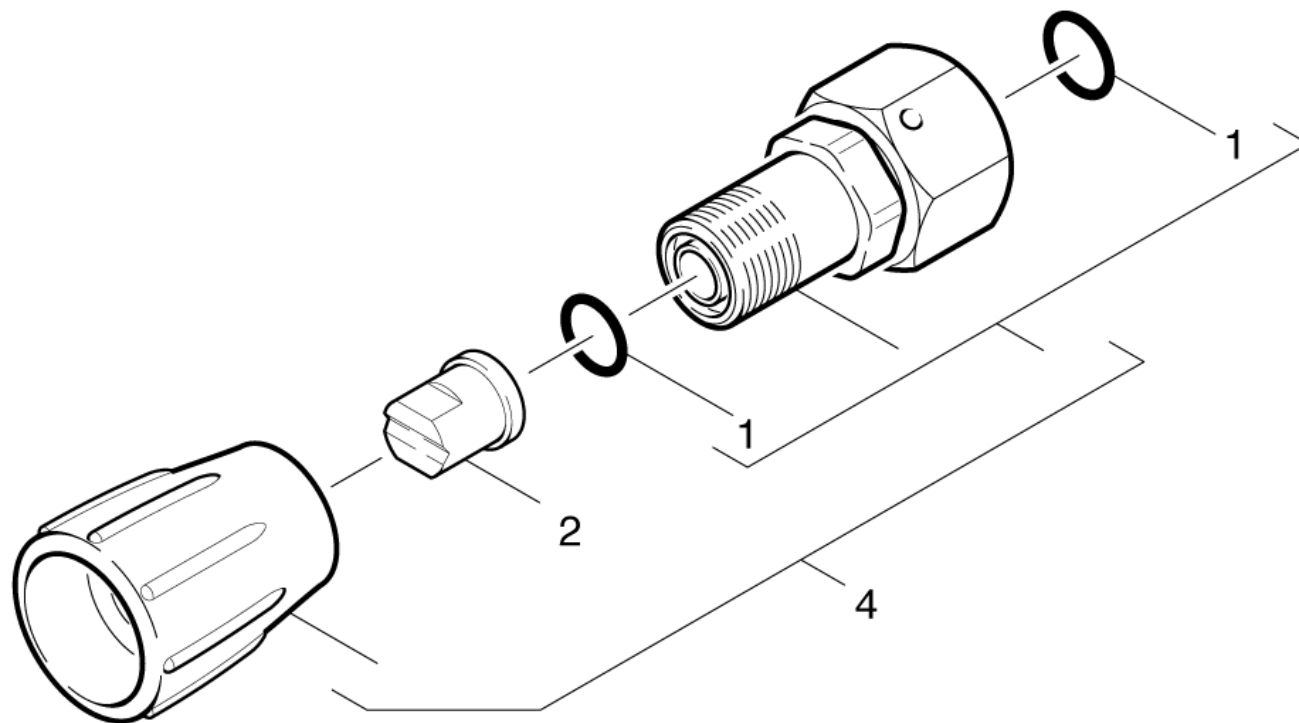
<b>POS</b>	<b>Article no.</b>	<b>Description</b>	<b>Quantity</b>	<b>Unit</b>
1	5.394-530.0	Protection part complete	1	PC
2	6.343-150.0	Pin 03	1	PC
3	6.362-409.0	O-Ring seal 32,0 X 1,5	1	PC
4	7.362-039.0	O-Ring seal 15,5x1,5 -NBR70 DIN 3771	1	PC
5	5.321-884.0	Clamp	1	PC
6	5.311-236.0	Nut	1	PC
7	6.362-480.0	O-Ring seal 12,42x 1,78	1	PC
8	5.394-874.0	Protection part	1	PC
9	7.401-902.0	Sphere 5 G20 -1.4034 DIN 5401	2	PC



## 20 Triple jet nozzle brass

---

<b>POS</b>	<b>Article no.</b>	<b>Description</b>	<b>Quantity</b>	<b>Unit</b>
1	5.394-530.0	Protection part complete	1	PC
2	6.343-150.0	Pin 03	1	PC
3	6.362-409.0	O-Ring seal 32,0 X 1,5	1	PC
4	6.362-460.0	O-Ring seal 14,0 X 2,5-NBR 70	1	PC
5	5.321-884.0	Clamp	1	PC
6	5.311-225.0	Nut	1	PC
7	6.362-480.0	O-Ring seal 12,42x 1,78	1	PC
8	5.394-859.0	Protection part	1	PC
9	7.401-902.0	Sphere 5 G20 -1.4034 DIN 5401	2	PC





## 46 Nozzle

---

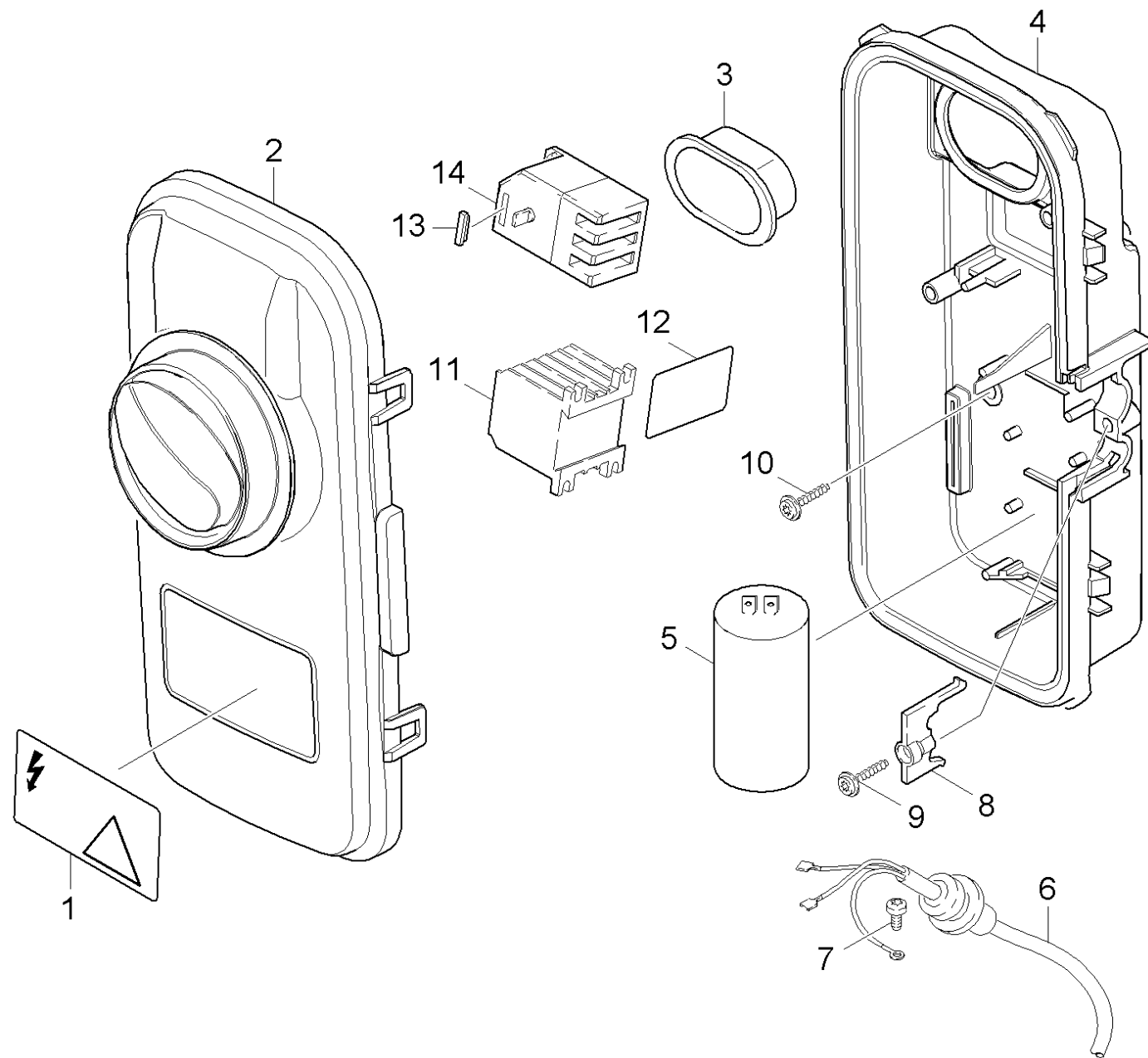
POS	Article no.	Description	Quantity	Unit
1	2.880-154.0	O-Ring kit	1	PC
2	5.765-150.0	Power nozzle 40 060	1	PC
	<b>Item text1:</b> 1.151-611.0			
4	4.402-077.0	Screw union complete 060	1	PC
	<b>Item text1:</b> 1.151-611.0			

---

50 Electric box

---

POS	Description	Quantity	Unit
51	Electric box <b>Item text1:</b> 1.150-651.0 /-652.0 /-653.0 /-654.0 /-657.0 / 1.151-611.0 /-651.0 /-652.0 /-653.0 /-654.0 /-655.0 /-656.0	1	PC
52	Electric box <b>Item text1:</b> 1.214-126.0	1	PC

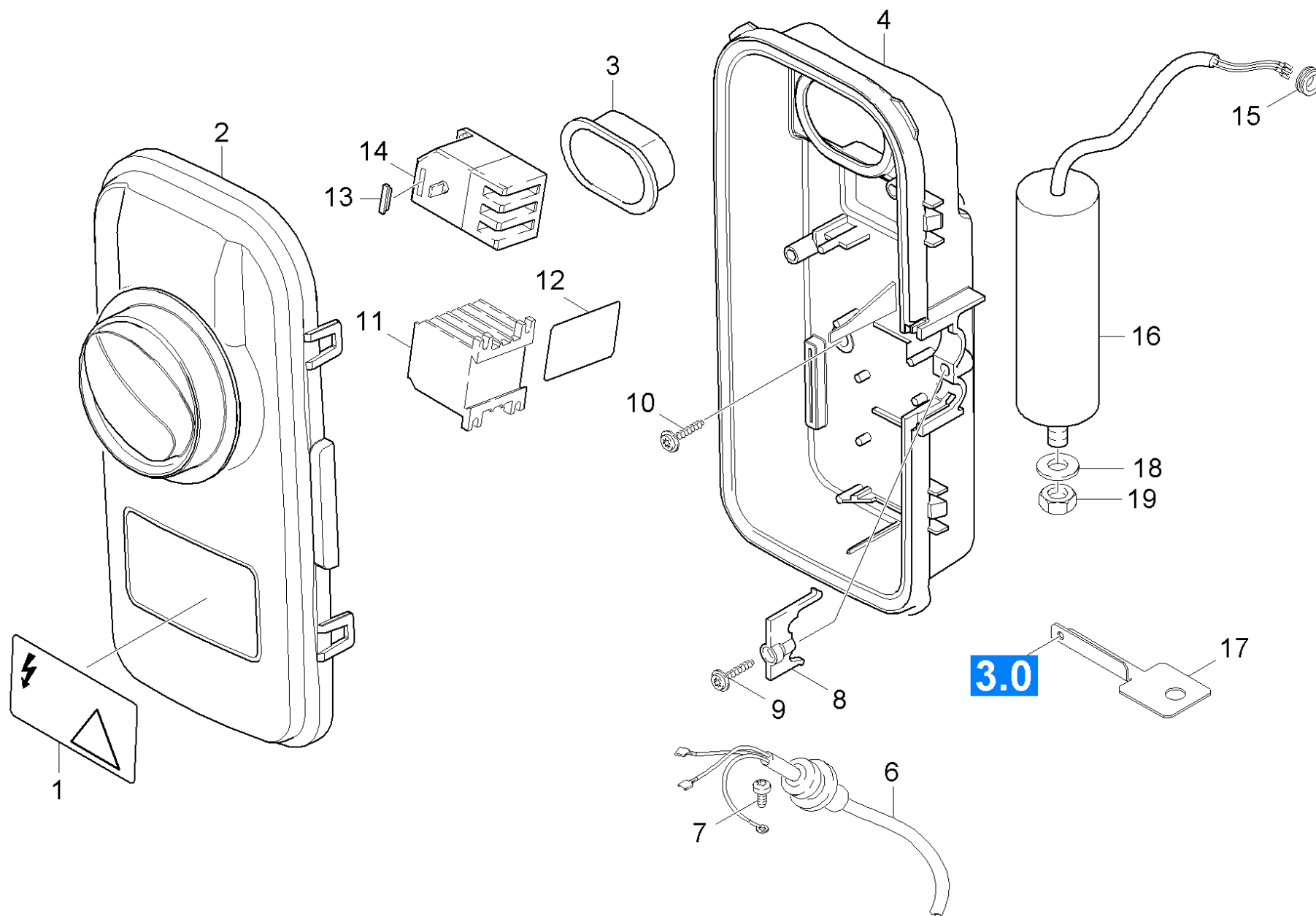


## 51 Electric box

POS	Article no.	Description	Quantity	Unit
1	5.388-512.0	Label	1	PC
2	4.063-810.0	Cover completely	1	PC
		<b>Item text1:</b> 1.151-611.0 / -651.0 / -652.0 / -653.0 /		
		<b>Item text2:</b> -654.0 / -655.0 / -656.0		
2	4.744-166.0	Switch complete	1	PC
		<b>Item text1:</b> 1.150-652.0		
2	4.744-266.0	Switch complete	1	PC
		<b>Item text1:</b> 1.150-651.0 / -653.0 / -654.0 / -657.0		
3	5.365-181.0	Profile gasket	1	PC
4	5.061-000.0	Housing	1	PC
5	6.661-298.0	Capacitor 40µF	1	PC
		<b>Item text1:</b> 1.150-651.0 / -652.0 / -653.0 / -654.0 /		
		<b>Item text2:</b> 1.150-657.0		
6	6.649-943.0	Cable with plug CH	1	PC
		<b>Item text1:</b> 1.150-652.0		
6	6.649-350.0	Cable complete	1	PC
		<b>Item text1:</b> 1.151-655.0 / -656.0 /		
6	6.649-237.0	Cable with plug *AU	1	PC
		<b>Item text1:</b> 1.150-657.0		
6	6.649-185.0	Cable without plug	1	PC
		<b>Item text1:</b> 1.151-652.0 / -654.0		
6	6.649-134.0	Cable with plug	1	PC
		<b>Item text1:</b> 1.151-611.0 / -651.0 / -653.0 /		
6	6.648-977.0	Cable with plug *GB	1	PC
		<b>Item text1:</b> 1.150-654.0		
6	6.648-906.3	Cable with plug	1	PC
		<b>Item text1:</b> 1.150-651.0 / -653.0		
7	7.303-031.0	Screw M4x10 -St-P2R (In6Rd)	1	PC
8	5.263-051.0	Tensioning part	1	PC
9	7.303-109.0	Screw 5x25 -10.9-R2R (In6Rd)	1	PC
10	6.303-153.0	Screw M5x15-ST-R2R (IN6RD)	3	PC
11	6.632-173.0	Contacteur 4,0KW/400V	1	PC
		<b>Item text1:</b> 1.151-611.0 / -651.0 / -653.0 /		

## 51 Electric box

POS	Article no.	Description	Quantity	Unit
11	6.632-281.0	Contacteur 230 V	1	PC
	<b>Item text1:</b> 1.151-652.0 / -654.0 / -655.0 / -656.0 /			
12	5.048-251.0	Plate	1	PC
	<b>Item text1:</b> 1.151-611.0 / -651.0 / -652.0 / -653.0 /			
	<b>Item text2:</b> -654.0 / -655.0 / -656.0			
13	6.630-049.0	Cap	1	PC
	<b>Item text1:</b> 1.151-611.0 / -651.0 / -652.0 / -653.0 /			
	<b>Item text2:</b> -654.0 / -655.0 / -656.0			
14	6.631-190.0	Motor protecting switch	1	PC
	<b>Item text1:</b> 1.151-611.0 / -651.0 / -652.0 / -653.0 /			
	<b>Item text2:</b> -654.0 / -655.0 / -656.0			



## 52 Electric box

POS	Article no.	Description	Quantity	Unit
1	5.388-512.0	Label	1	PC
2	4.063-810.0	Cover completely	1	PC
	<b>Item text1:</b> 1.214-126.0			
3	5.365-181.0	Profile gasket	1	PC
4	5.064-242.0	Housing with bore	1	PC
	<b>Item text1:</b> 1.214-126.0			
6	6.649-424.0	Cable with plug	1	PC
	<b>Item text1:</b> 1.214-126.0			
7	7.303-031.0	Screw M4x10 -St-P2R (In6Rd)	1	PC
8	5.263-058.0	Tensioning part	1	PC
9	7.303-109.0	Screw 5x25 -10.9-R2R (In6Rd)	1	PC
10	6.303-153.0	Screw M5x15-ST-R2R (IN6RD)	3	PC
11	6.632-421.0	Contactor 7,5 kW / 220 V	1	PC
	<b>Item text1:</b> 1.214-126.0			
12	5.048-251.0	Plate	1	PC
13	6.630-049.0	Cap	1	PC
14	6.631-196.0	Motor protecting switch	1	PC
	<b>Item text1:</b> 1.214-126.0			
15	6.641-402.0	Wire protecting sleeve	1	PC
16	6.661-254.3	Capacitor 80 µF	1	PC
17	5.043-069.0	Holder for capacitor	1	PC
18	7.311-071.0	Hexagon nut M12-A2-70 ISO 4032	1	PC
19	7.312-054.0	Washer 12-A2 ISO 7089	1	PC