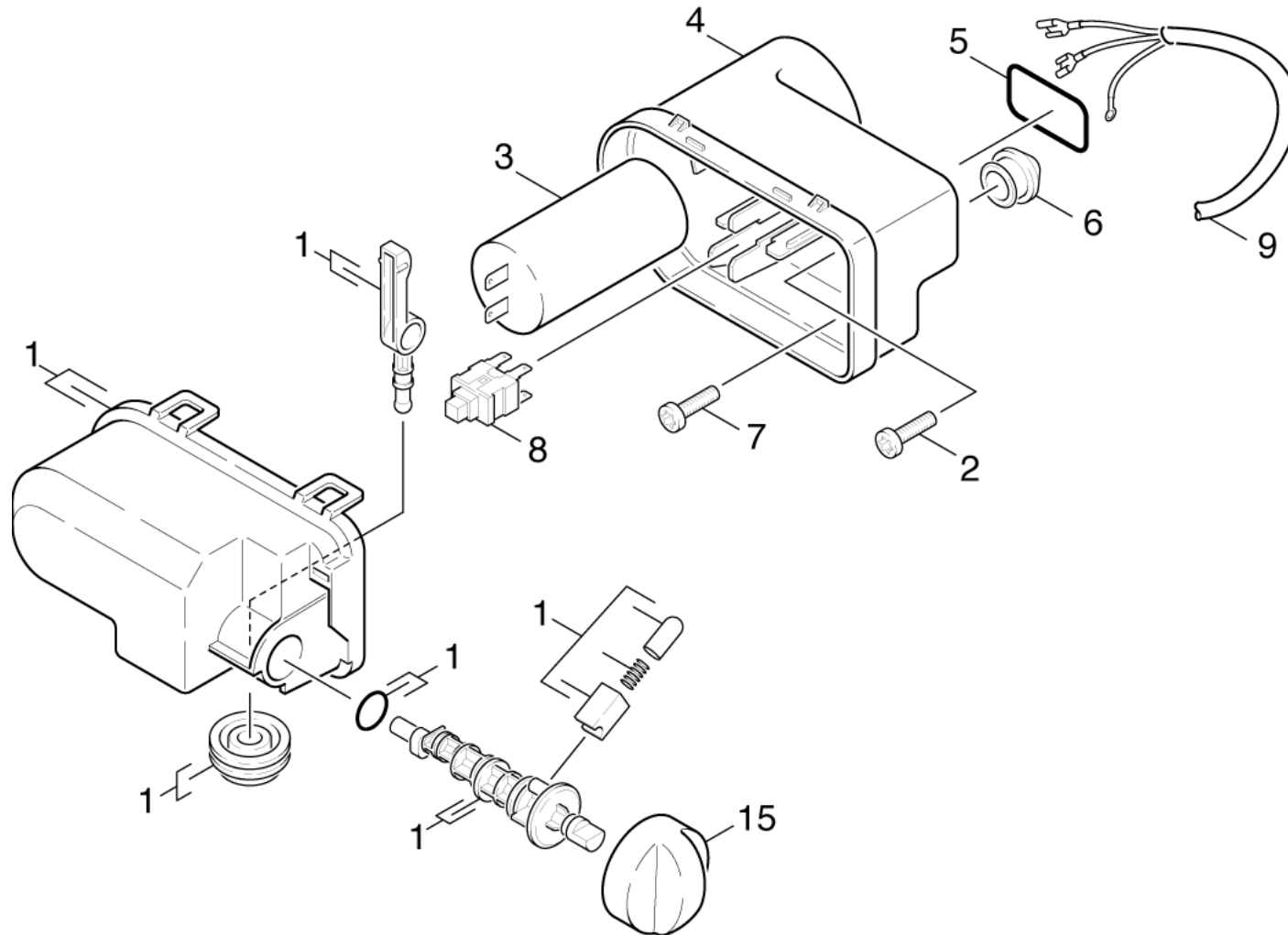


50 Electric control box

Home and Garden \ High pressure cleaner cold water \ Electric motor \ K 3 \ K 3.80M *EU \ Spare parts list K 380M/390M \ Electric control box



50 Electric control box

Home and Garden \ High pressure cleaner cold water \ Electric motor \ K 3 \ K 3.80M *EU \ Spare parts list K 380M/390M \ Electric control box



POS	Article no.	Description	Quantity	Unit
1	9.001-100.0	Cover electric box complete	1	PC
2	7.303-031.0	Screw M4x10 -St-P2R (In6Rd)	1	PC
3	9.085-023.0	Capacitor 20mikroF H=70	1	PC
4	9.036-348.0	Housing electric box	1	PC
5	9.081-408.0	O-Ring seal 19x34x2,62	1	PC
6	9.048-011.0	Wire protecting sleeve	1	PC
7	6.303-320.0	Screw M 5x 20-St-R2R	2	PC
8	9.085-031.0	Switch two-pole	1	PC
9	9.084-064.0	Cable with plug	1	PC
9	9.084-065.0	Cable with plug -AUS/NZ	1	PC
	Item text1: / 1.141-354.0 / -382.0 / -454.0			
	Item text2: / -477.0			
9	9.084-070.0	Cable with plug *CH	1	PC
	Item text1: / 1.141-352.0 / -452.0 / -476.0			
9	9.084-075.0	Cable with plug	1	PC
	Item text1: / 1.141-315.0 / -351.0 / -360.0 / -362.0 / -363.0 / -366.0 / -369.0 / -370.0 / -372.0 / -373.0 / -377.0 / -378.0 / -451.0 / -460.0 / -461.0 / -463.0 / -464.0 / -465.0 / -466.0 / -467.0 / -468.0 / -469.0 / -470.0 / -471.0 / -472.0 / -475.0			
15	9.036-351.0	Push button	1	PC