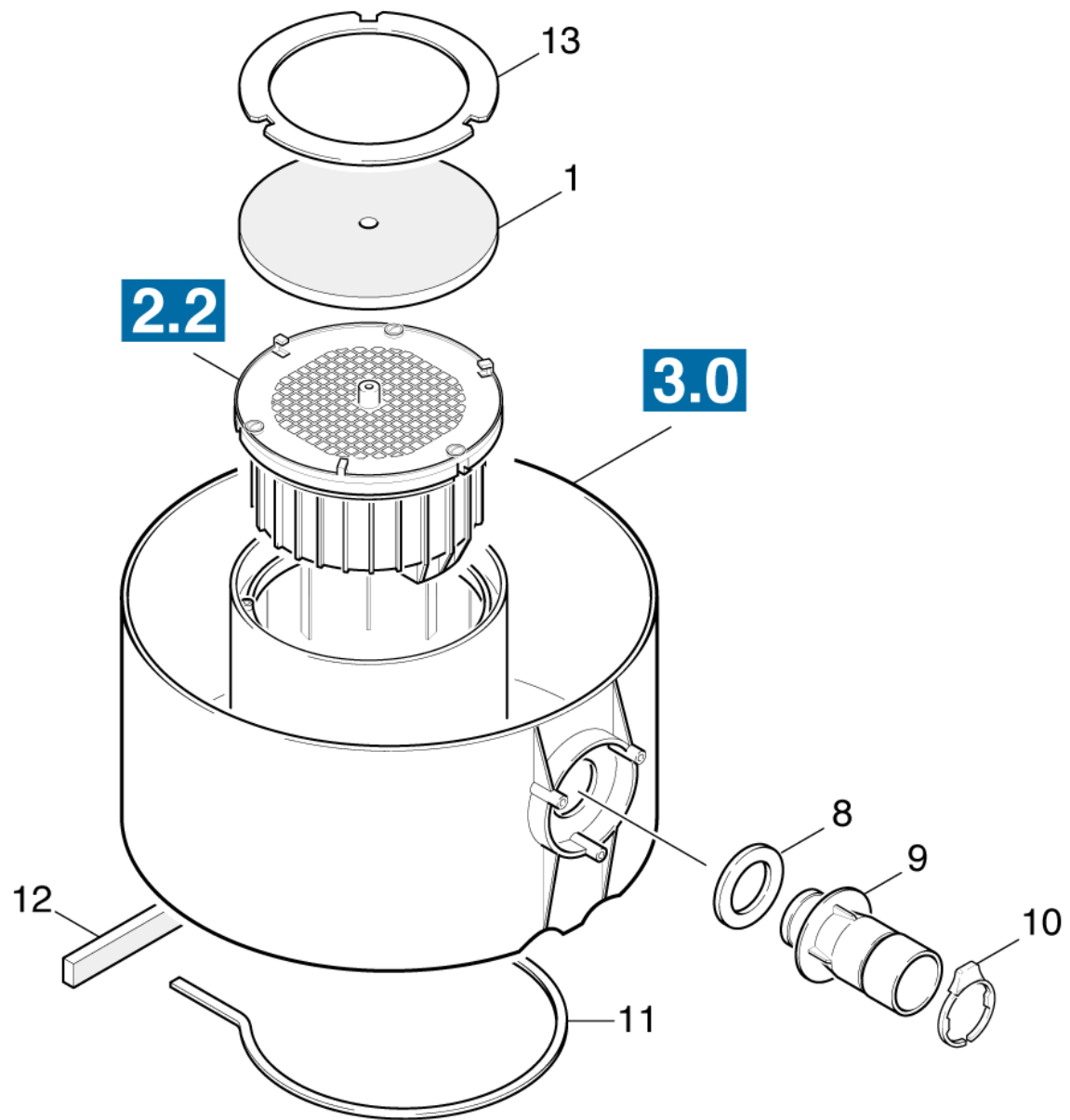


21 Vacuum motor

Overview technical documents/Professional/Vacuum cleaner/Dry vacuum cleaner/T 201 -M.ZUBEH.* CH (1.889-291.0)/Spare parts list T 201/20 Vacuum motor/21 Vacuum motor



21 Vacuum motor

Overview technical documents/Professional/Vacuum cleaner/Dry vacuum cleaner/T 201 -M.ZUBEH.* CH (1.889-291.0)/Spare parts list T 201/20 Vacuum motor/21 Vacuum motor

| Rez.daļas/nodil.pakļ.daļas | Poz. | Materiāla Nr. | Nosaukums | Daudzums | Pārdoš. vienība | no sēr. Nr.. | līdz sēr. Nr. |
|----------------------------|------|---------------|----------------------------------|----------|-----------------|--------------|---------------|
| X-X | 1 | 6.904-097.0 | Mikrofiltrs no neausta materiāla | 1.000 | ZSA | 0000000000 | 0000000000 |
| | 8 | 5.363-308.0 | Joint ring | 1.000 | ST | 0000000000 | 0000000000 |
| | 9 | 5.408-038.0 | Tube elbow | 1.000 | ST | 0000000000 | 0000000000 |
| X-X | 10 | 5.343-010.0 | locking ring | 1.000 | ST | 0000000000 | 0000000000 |
| | 11 | 6.273-043.0 | Sealing tape cellularrubber 9x4 | 1.000 | M | 0000000000 | 0000000000 |
| | 12 | 6.362-801.0 | Seal | 1.000 | ST | 0000000000 | 0000000000 |
| | 13 | 5.343-013.0 | Locking ring | 1.000 | ST | 0000000000 | 0000000000 |