

Spare parts list

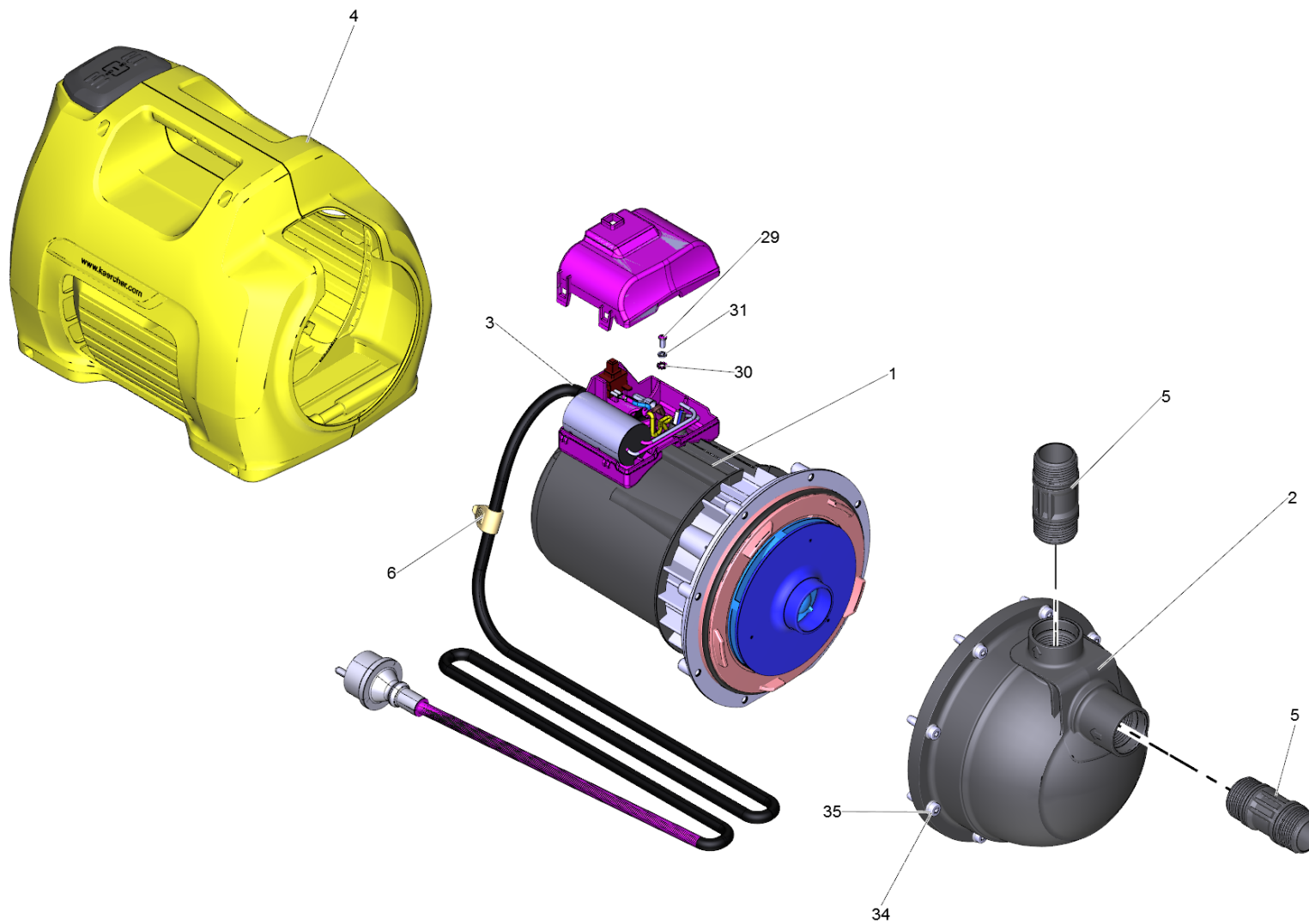
(1.645-350.0) BP 2 Garden *EU

Table of contents

BP 2 Garden *EU (1.645-350.0)	3
Spare parts list BP2 G (5.973-037.0)	4
1 Drive components BP 2 G	6
2 Pump head completely BP 2 G	8
2 Injector completely BP 2 G (4.645-468.0)	10
3 Electronic components BP 2G + 3G	12
4 Housing completely GP 2 G	14
9000 Housing set for replacement Entry (4.645-566.0)	16
5 Adapter connection (6.997-473.0)	18

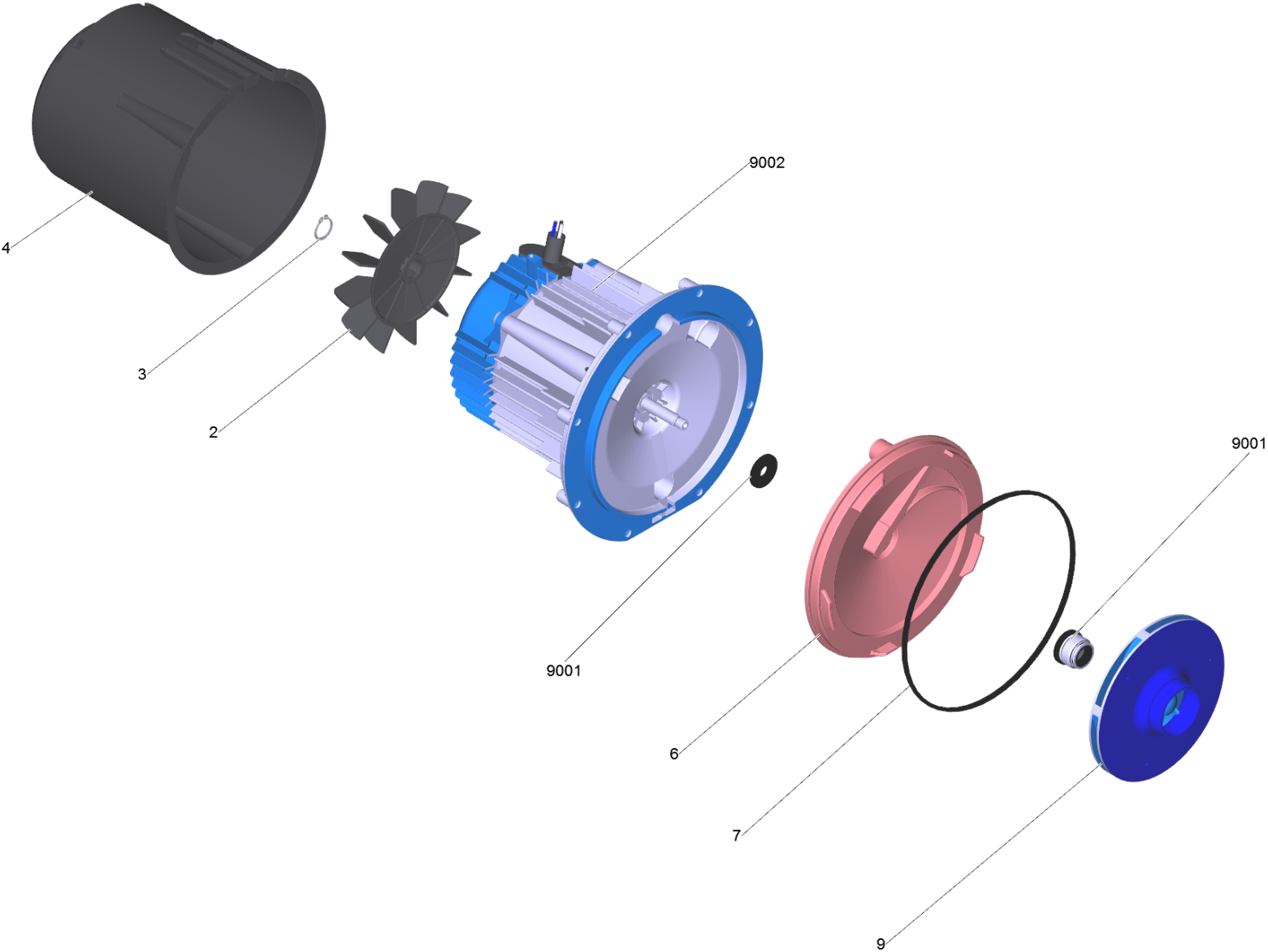
BP 2 Garden *EU (1.645-350.0)

POS	Article no.	Description	Quantity	Unit
0	5.973-037.0	Spare parts list BP2 G	1	PC



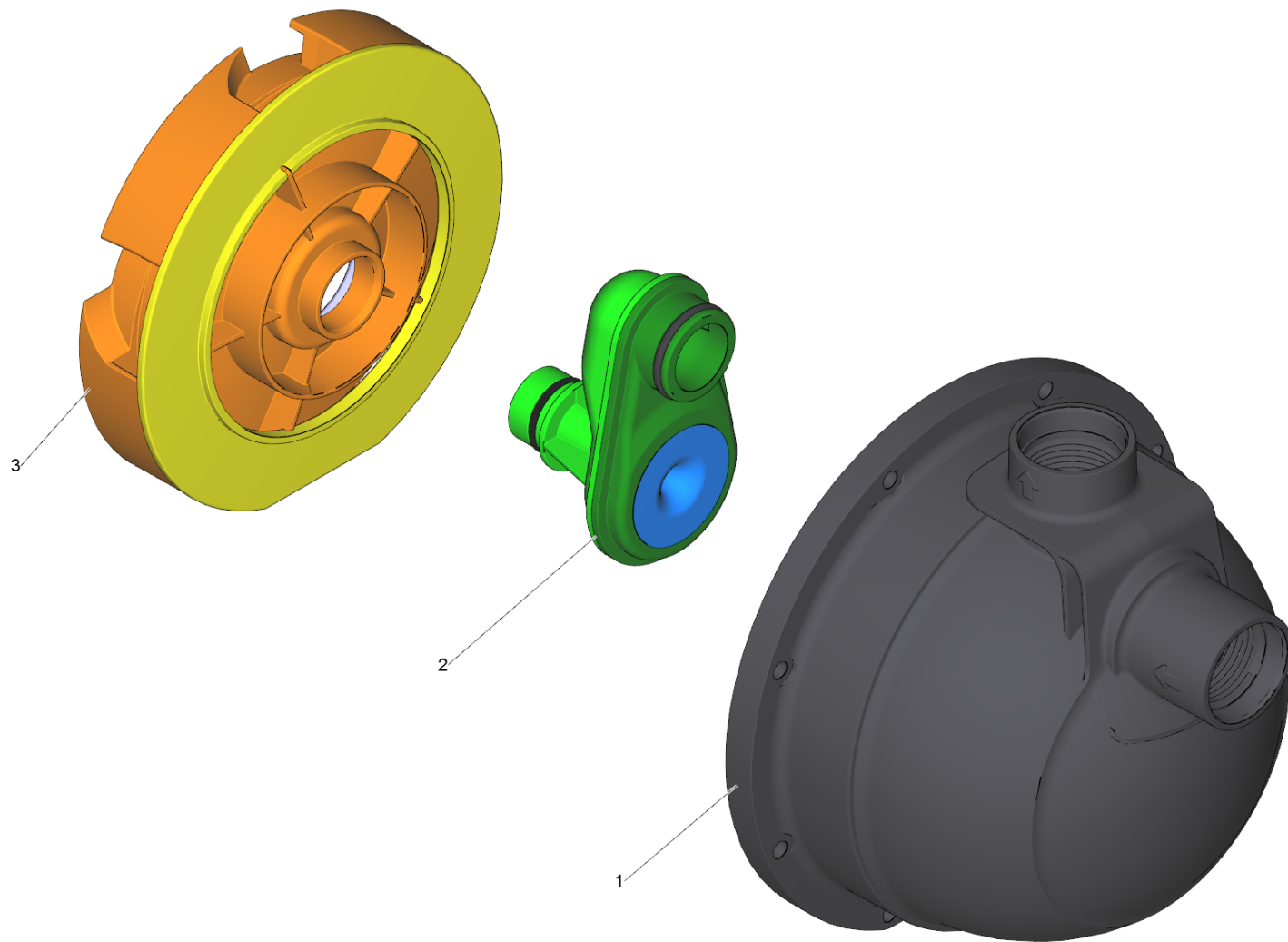
Spare parts list BP2 G (5.973-037.0)

POS	Article no.	Description	Quantity	Unit
1		Drive components BP 2 G	1	PC
2		Pump head completely BP 2 G	1	PC
3		Electronic components BP 2G + 3G	1	PC
4		Housing completely GP 2 G	1	PC
5	6.997-473.0	Adapter connection	2	PC
6	5.645-426.0	Cable clip	1	PC
29	6.645-666.0	Screw M4x8	1	PC
30	6.645-665.0	Toothed lock washer 4	1	PC
31	6.645-664.0	Spring washer B 4	1	PC
34	7.306-143.0	Cylinder head screw M6x25 -A4-70 ISO 47	8	PC
35	7.312-003.0	Washer 6 -200HV-A3E ISO 7089	8	PC



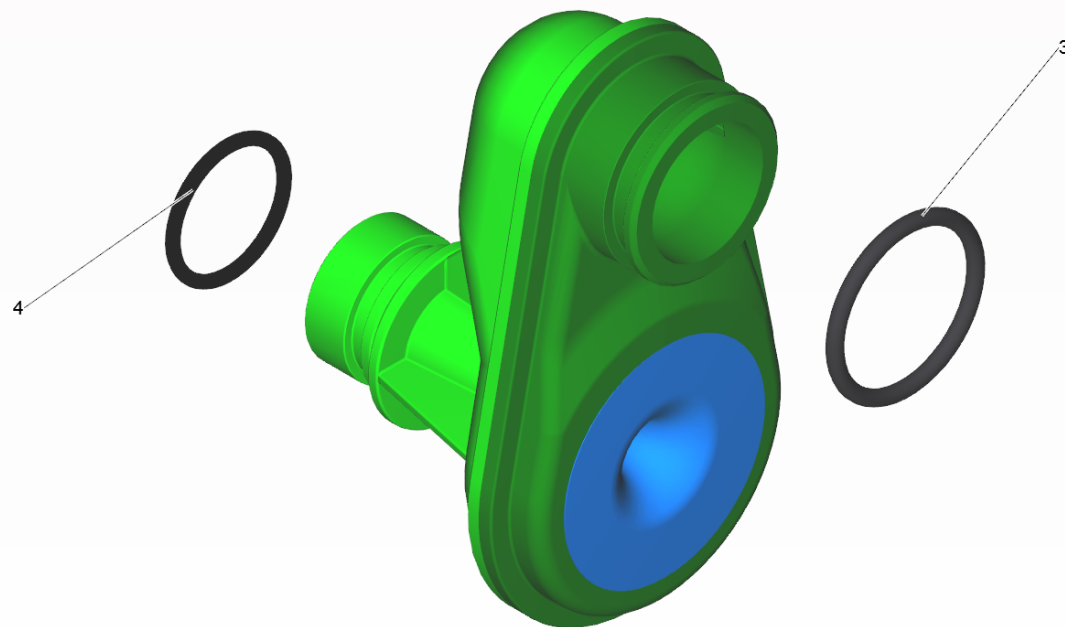
1 Drive components BP 2 G

POS	Article no.	Description	Quantity	Unit
2	6.645-625.0	Blower	1	PC
3	7.343-015.0	Locking ring 15x1-FST-RF DIN 471	1	PC
4	5.645-829.0	Air circulation BP ENTRY	1	PC
6	5.645-750.0	Backplate hydraulic	1	PC
7	6.645-733.0	O-Ring seal 160x4	1	PC
9	5.645-846.0	Impeller Ø126mm	1	PC
9001	4.645-569.0	Slip-ring set for replacement Entry, Mid	1	PC
9002	4.645-572.0	Motor for replacement BP 2 Entry	1	PC



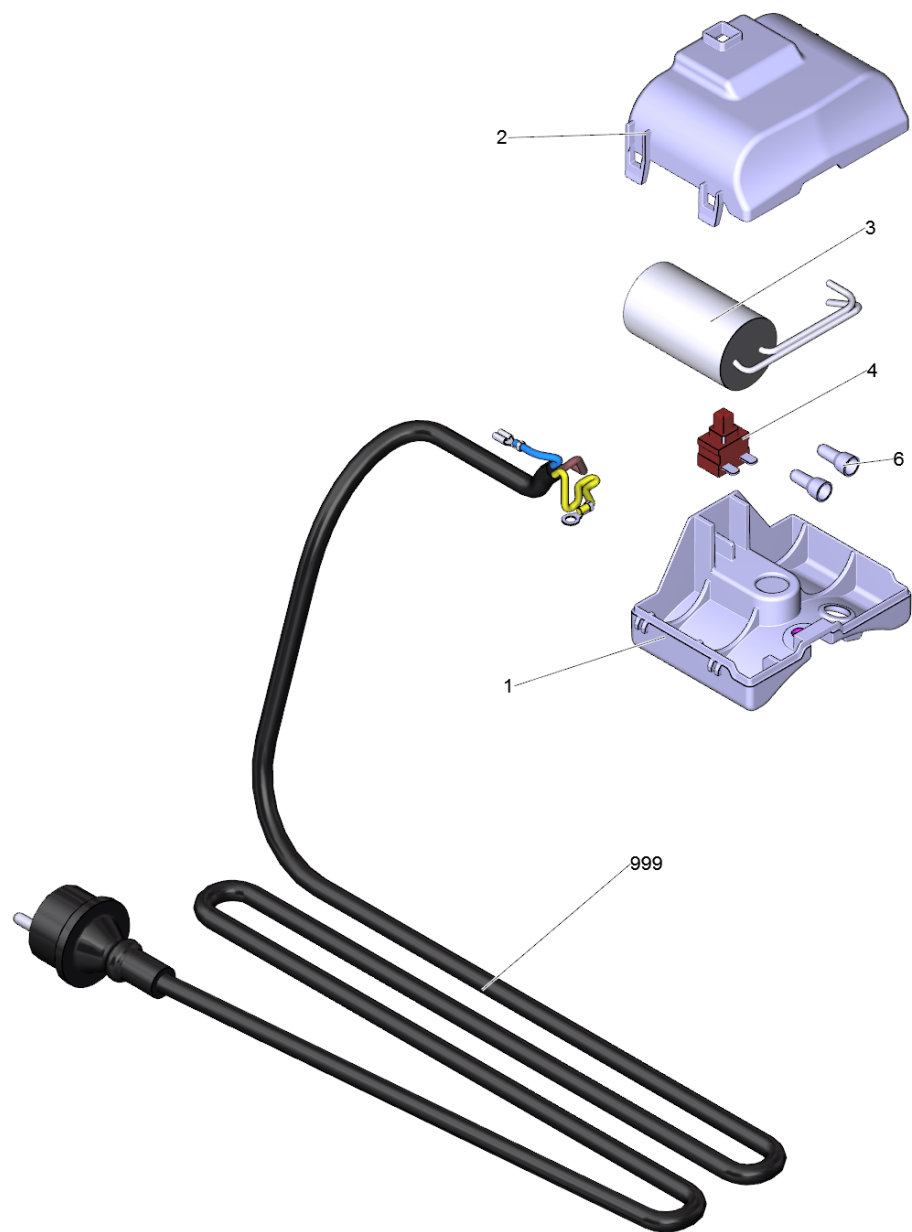
2 Pump head completely BP 2 G

POS	Article no.	Description	Quantity	Unit
1	5.645-757.0	Pump head BP ENTRY	1	PC
2	4.645-468.0	Injector completely BP 2 G	1	PC
3	4.645-464.0	Guide wheel completely	1	PC



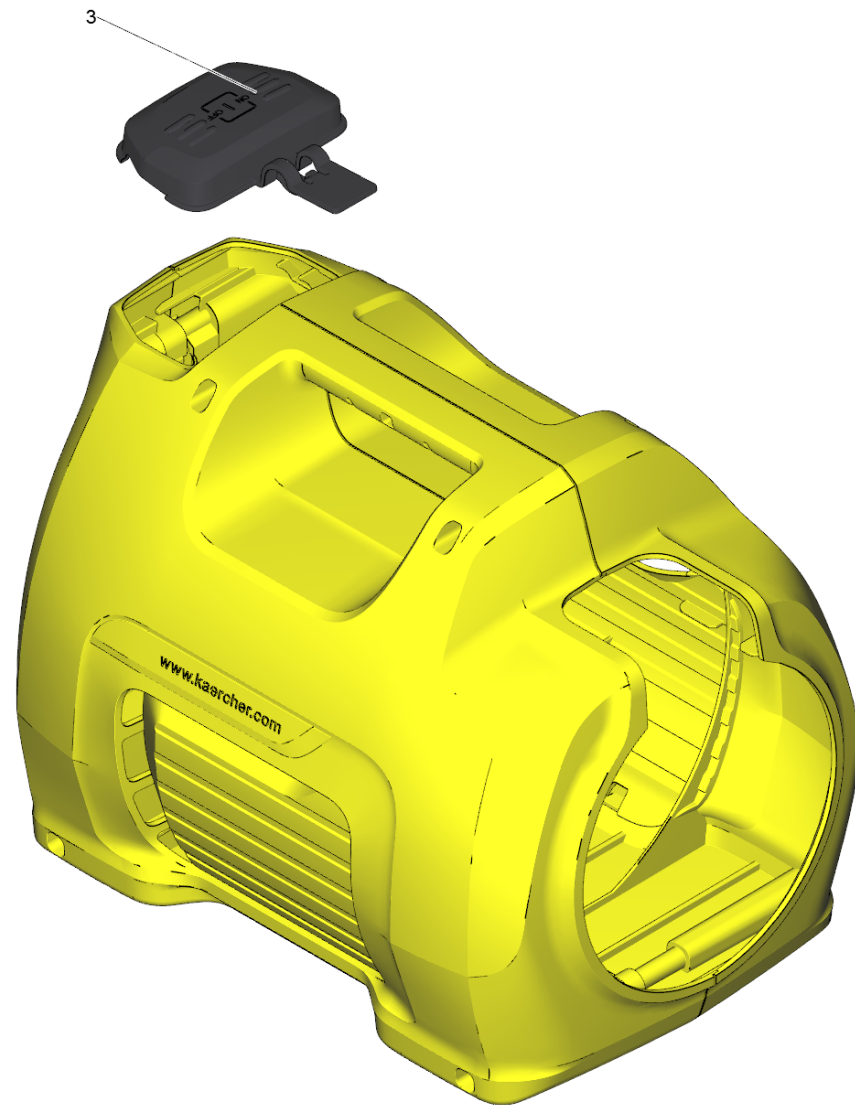
2 Injector completely BP 2 G (4.645-468.0)

POS	Article no.	Description	Quantity	Unit
3	6.645-647.0	O-Ring seal 28x3	1	PC
4	6.645-627.0	O-Ring seal 22x2,5	1	PC



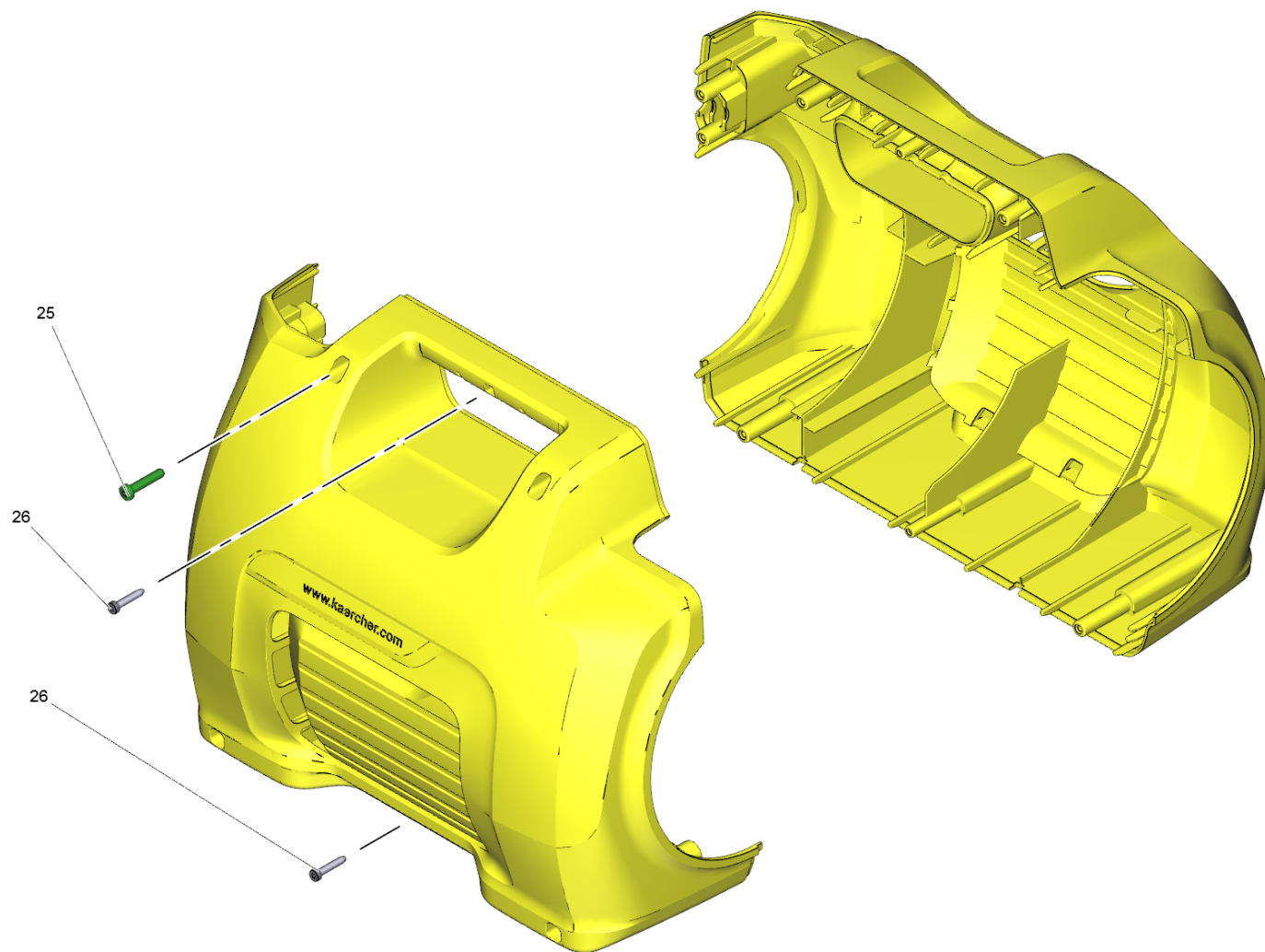
3 Electronic components BP 2G + 3G

POS	Article no.	Description	Quantity	Unit
1	5.645-803.0	Electrical box bottom part	1	PC
2	5.645-804.0	Electrical box cover	1	PC
3	6.645-654.0	Capacitor 16 μ F S3	1	PC
4	6.645-657.0	Switch	1	PC
6	6.645-006.0	End terminal	2	PC
999	4.645-568.0	Cable with plug for replacement Entry	1	PC



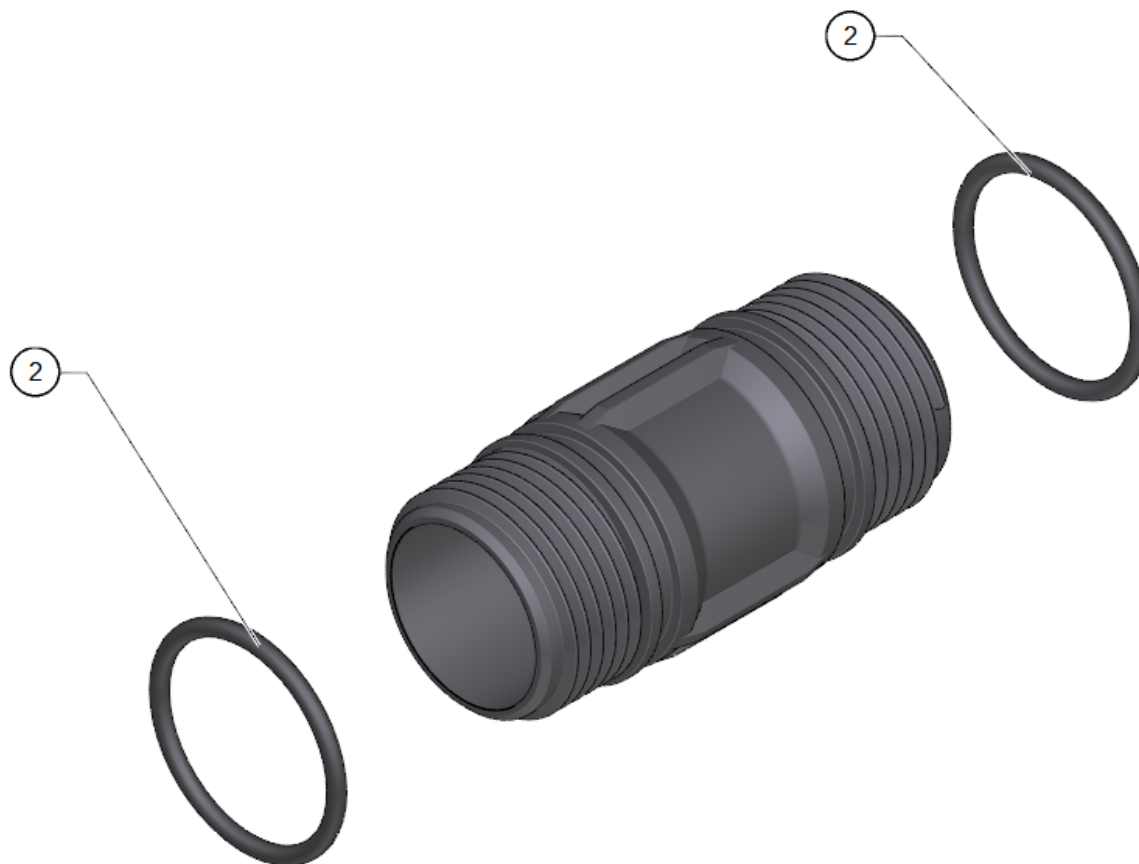
4 Housing completely GP 2 G

POS	Article no.	Description	Quantity	Unit
3	5.645-760.0	Cover switch	1	PC
9000	4.645-566.0	Housing set for replacement Entry	1	PC



9000 Housing set for replacement Entry (4.645-566.0)

POS	Article no.	Description	Quantity	Unit
25	9.086-221.0	Screw ATF 4.1x22	6	PC
26	6.303-245.0	Cylinder head screw 3X18-ST-A2E	2	PC



5 Adapter connection (6.997-473.0)

POS	Article no.	Description	Quantity	Unit
2	6.645-648.0	O-Ring seal 30x2,55	2	PC