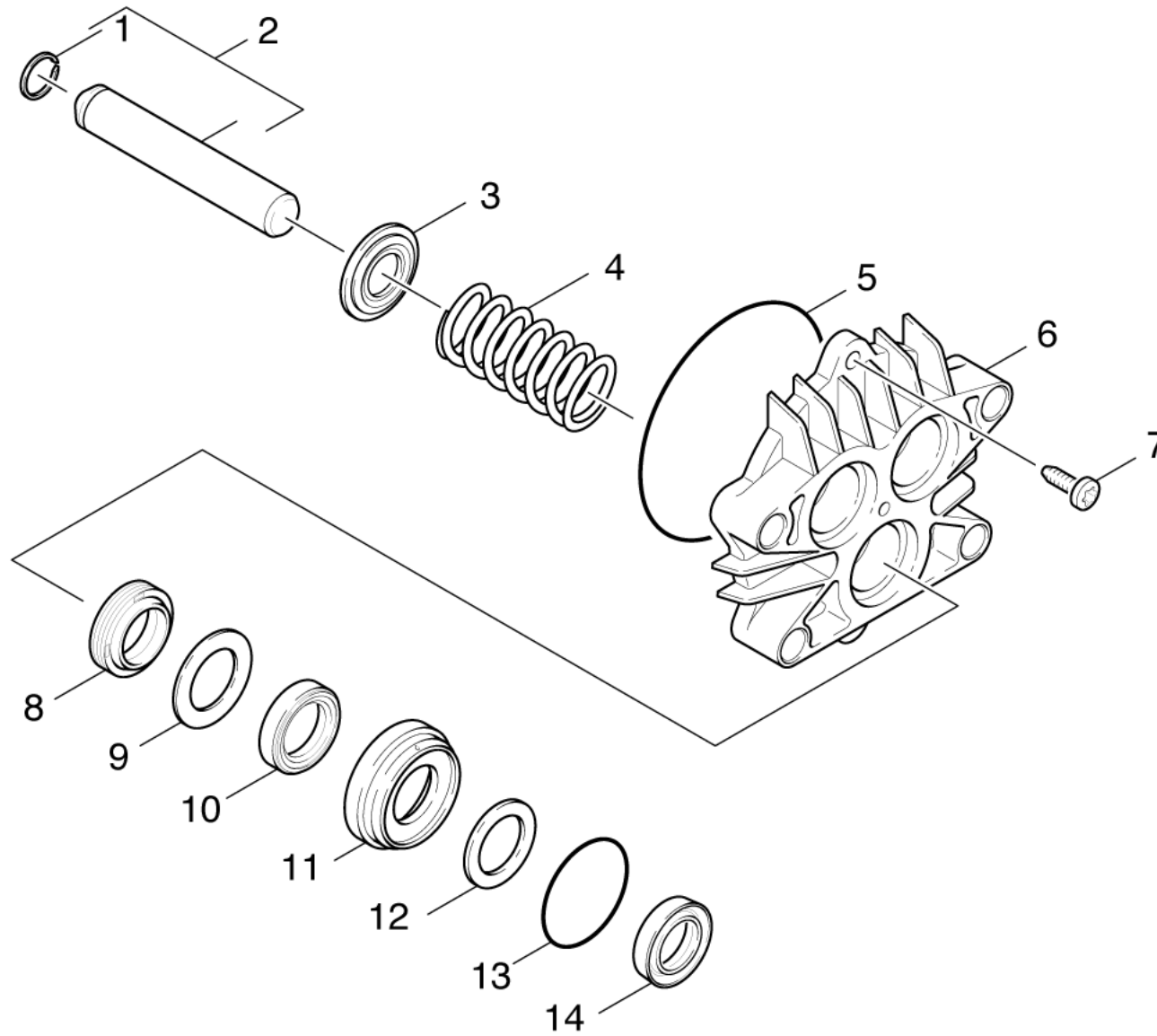


21 Piston

Professional \ High pressure cleaner hotwater \ Electric motor \ HDS 798 C *EU \ Spare parts list HDS 798 C \ Pump set \ Piston



21 Piston

Professional \ High pressure cleaner hotwater \ Electric motor \ HDS 798 C *EU \ Spare parts list HDS 798 C \ Pump set \ Piston

KÄRCHER

POS	Article no.	Description	Quantity	Unit
6	4.060-819.0	Housing -nur für Ersatz-	1	PC
2	4.553-216.0	Piston complete only for replacement	3	PC
	Item text1: / 1.174-101.0 / -102.0 / -103.0			
	Item text2: / -104.0 / -113.0			
2	4.553-224.0	Piston complete	3	PC
	Item text1: / 1.174-110.0			
11	5.112-402.3	Bush	3	PC
12	5.115-492.0	Washer	3	PC
9	5.115-493.0	Washer	3	PC
3	5.115-689.0	Washer	3	PC
4	5.332-450.0	Helical spring	3	PC
13	6.362-398.0	O-Ring seal 27,5 X 1,5-NBR 70	3	PC
5	6.362-963.0	O-Ring seal 88,57X 2,62	1	PC
8	6.365-322.0	Grooved ring	3	PC
10	6.365-351.0	Compact seal 16 x 24 x 4	3	PC
14	6.365-408.0	Grooved ring 16x24x5.3	3	PC
7	7.306-094.0	Screw M6x25 -8.8-R3R (In6Rd)	2	PC
1	7.343-478.0	Snap ring 16 -FST DIN 9925	3	PC