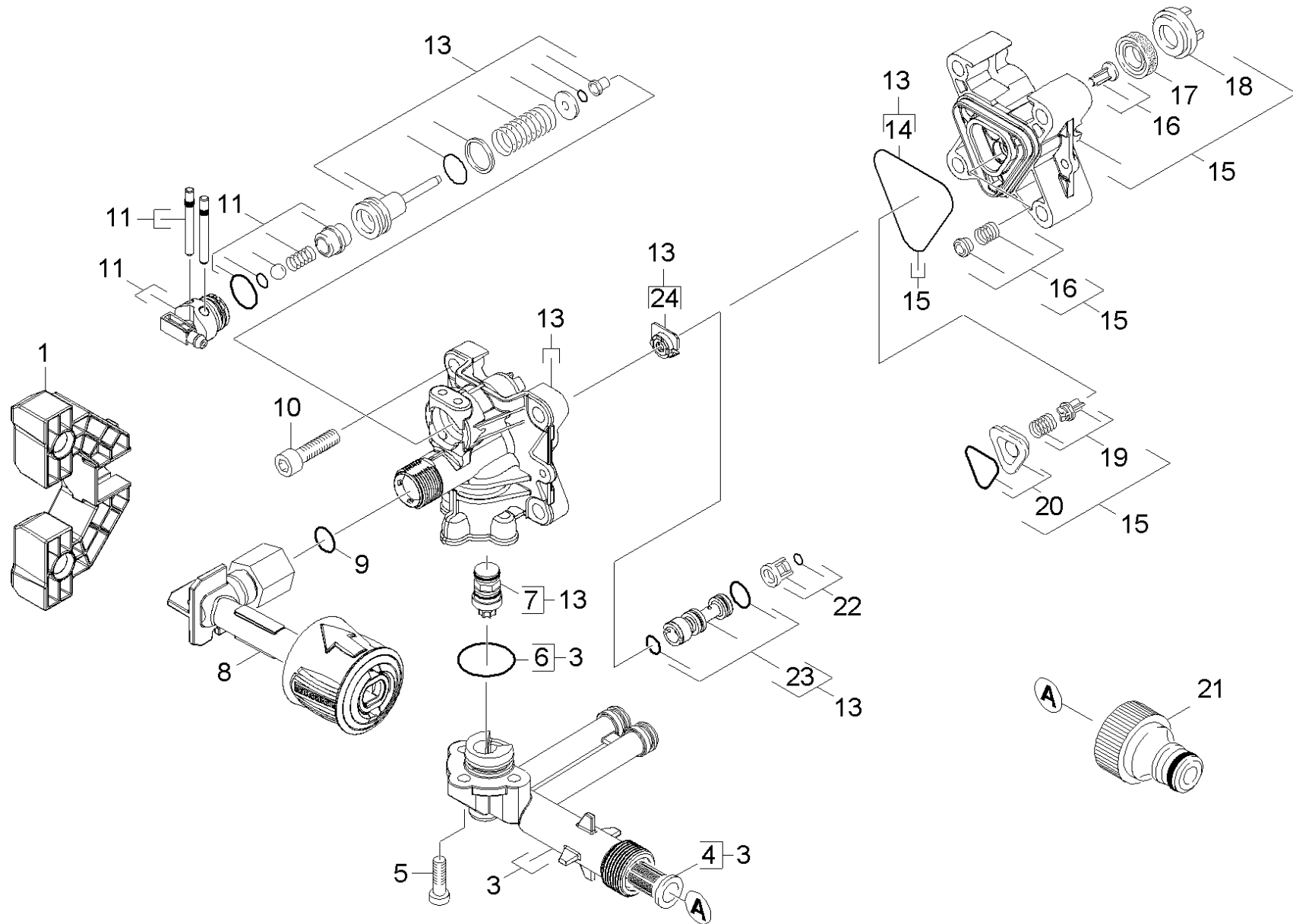


21 Housing

Home and Garden \ High pressure cleaner cold water \ Electric motor \ K 5 \ K 5 Car *EU \ Spare parts list K5 Classic \ Pump set \ Housing



21 Housing

Home and Garden \ High pressure cleaner cold water \ Electric motor \ K 5 \ K 5 Car *EU \ Spare parts list K5 Classic \ Pump set \ Housing

KÄRCHER

POS	Article no.	Description	Quantity	Unit
1	9.037-673.0	Bracket pump (bridge)	1.000	ST
3	9.001-745.0	Connection complete	1.000	ST
4	5.731-598.0	Fine filter long	1.000	ST
5	9.086-199.0	Screw M6x16	3.000	ST
6	9.081-417.0	O-Ring d.20 x 2	1.000	ST
7	9.002-164.0	plastic by pass (spare)	1.000	ST
8	9.002-412.0	outlet fitting K5 Al (spare)	1.000	ST
9	6.362-151.0	O-Ring d. 10 x 2 NBR 70	1.000	ST
10	7.306-151.0	Cylinder head screw M8x65 -8.8-A2E ISO4	4.000	ST
11	9.001-277.0	Spare parts set chemistry	1.000	ST
13	9.001-800.0	Spare part set control head	1.000	ST
14	9.081-424.0	Form seal	1.000	ST
15	9.002-456.0	Pump head Alu FC ric	1.000	ST
16	9.001-110.0	Moulded part complete	1.000	ST
17	6.362-875.0	Grooved ring	3.000	ST
18	9.038-428.0	Supportring 6,7 mm	3.000	ST
	Item text1: all other machines			
18	9.038-428.0	Supportring 6,7 mm	3.000	ST
	Item text1: 1.180-583.0/-630.0/-631.0			
19	9.001-275.0	Valve set	1.000	ST
20	9.001-276.0	Joining piece	1.000	ST
21	6.465-031.0	Connection 3/4	1.000	ST
22	9.001-819.0	Cage complete	1.000	ST
23	4.769-035.0	Nozzle insert	1.000	ST
24	9.037-142.0	Distance holder	1.000	ST