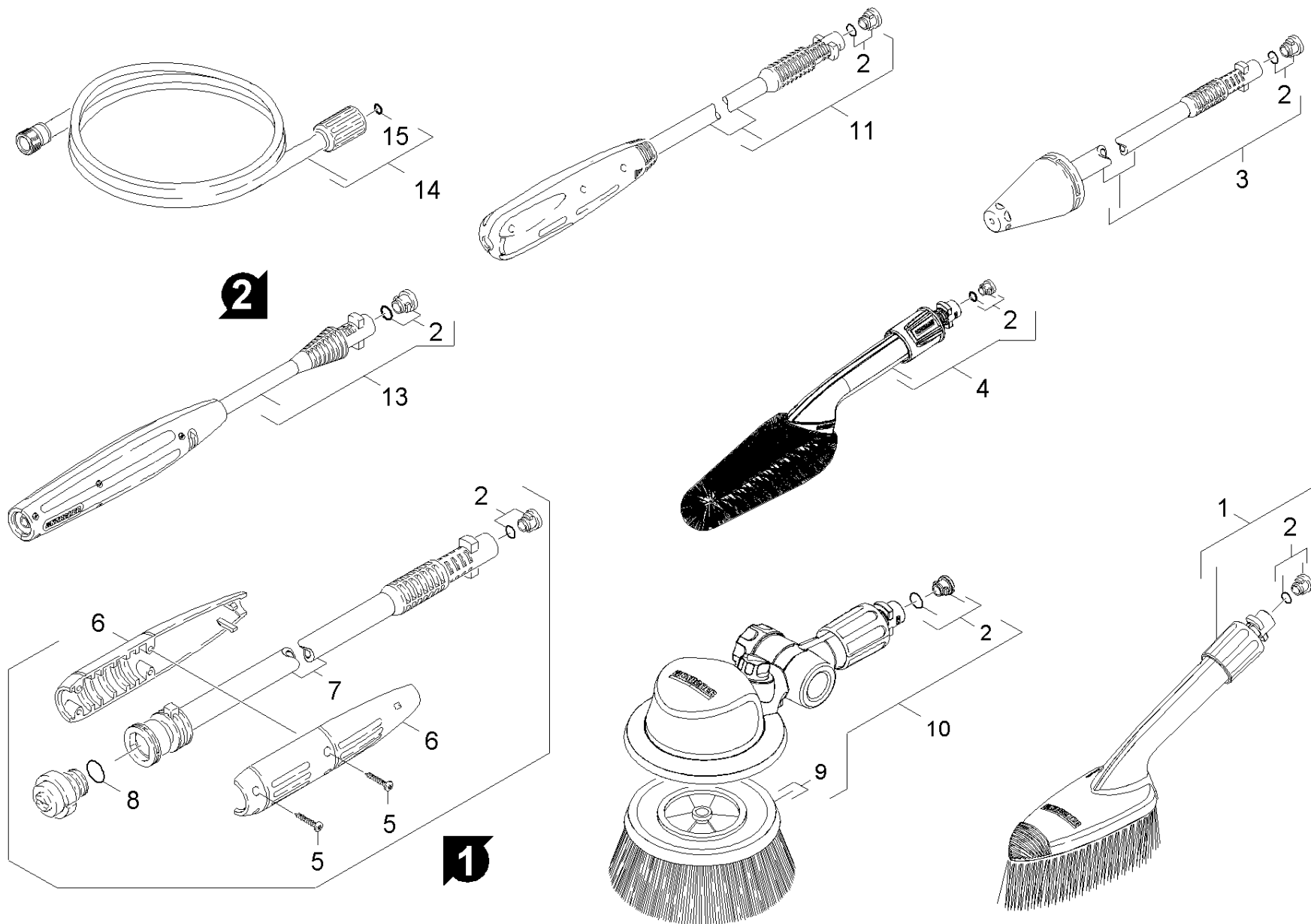


## 43 Jet pipe

Overview technical documents/Home & Garden/High pressure cleaner cold water/Electric motor/K 3/K 3.97MD-PLUS \*EU (1.423-116.0)/Spare parts list K 39X M/40 Accessories/43 Jet pipe



### 43 Jet pipe

Overview technical documents/Home & Garden/High pressure cleaner cold water/Electric motor/K 3/K 3.97MD-PLUS \*EU (1.423-116.0)/Spare parts list K 39X M/40 Accessories/43 Jet pipe

ET/VT (spare/wear parts)	Pos	Material #	Name	Qty.	Unit	from ser.nr.	up to ser.nr.
X-X	1	2.640-589.0	Brush lengthwise	1.000	ST	0000000000	0000000000
X-X	2	2.640-729.0	O-Ring seal set	3.000	ST	0000000000	0000000000
X-X	3	4.764-281.0	Dirt blaster 031 St - CEM 14,5MPa	1.000	ST	0000000000	0000000000
X-X	4	2.640-699.0	Brush cylindrical	1.000	ST	0000000000	0000000000
	5	6.303-122.0	M4 .2X13 DIN 7981 TORX T15 PAN HD HI/LO	6.000	ST	0000000000	0000000000
	6	9.036-402.0	Handhold few complete	1.000	ST	0000000000	0000000000
	7		Stockpiling discontinued	1.000	ST	0000000000	0000000000
X	8	6.362-534.0	O-Ring seal 18,0 X 2,0-NBR 70	1.000	ST	0000000000	0000000000
	9	5.762-331.0	Carrier brushes	1.000	ST	0000000000	0000000000
X-X	10	2.643-236.0	WB 100 washing brush	1.000	ST	0000000000	0000000000
	11		Stockpiling discontinued	1.000	ST	0000000000	0000000000
X-X	13	4.760-534.0	VPS K3 0287 K	1.000	ST	0000000000	0000000000
X-X	14	6.389-092.0	XH 10 extension hose	1.000	ST	0000000000	0000000000
X-X	15	2.880-990.0	Spare part set O-Ring 5x -Kaercher	1.000	ST	0000000000	0000000000