

## **Spare parts list**

(1.071-912.0) HDS 10/20-4 MX \*EU-I

## Table of contents

---

HDS 10/20-4 MX *EU-I (1.071-912.0)	5
HDS 10/20-4 MX *EU-I TV 01.01.2018 (2.002-066.0)	6
10 Housing	7
11 Housing top part	8
8 Device cover complete only for replaceme (4.066-426.0)	10
1 Device cover complete basalt grey RAL 70	11
12 Housing bottom part	13
26 Cover fuel complete (4.064-013.0)	16
44 Set water connection 1 " (2.640-492.0)	18
13 Hose reel	20
20 Crank complete (4.481-263.0)	22
20 Pump set	24
21 Cylinder head	25
12 Piston complete (4.553-287.0)	28
20 Valve (3 Stueck) (2.884-512.0)	30
34 Piston complete only for replacement (4.553-197.0)	32
40 Valve complete (4.580-594.0)	34
100 Spare part set pump (2.885-034.0)	36
1 Valve (3 Stueck) (2.884-512.0)	37
3 Valve complete (4.580-594.0)	39
22 Piston	41
30 Motor	43
40 Blower	46
12 Conversion kit blower wheel (2.641-430.0)	48
50 Fuel pump and filter	50
3 Fuel pump only for replacement (4.473-032.0)	52
6 Filter complete (4.730-167.3)	54
1 Filter complete (4.730-167.0)	55
60 Electric control box	57
70 Flow heater	59
72 Burner cover	60
7 Cover pressure boiler only for replaceme (4.654-288.0)	62
11 Conversion kit ignition electrode (2.638-974.0)	64
74 Heating coil	66
75 Burner bottom	68
2 Bottom pressure boiler (4.655-044.0)	70
80 Float valve	72
90 Safety system	74

## Table of contents

---

10 Safety valve complete replacement (4.580-709.0)	76
100 Accessories	78
101 Power nozzle TR 25054 (2.113-011.0)	80
102 Steam nozzle TR 40070 (2.114-006.0)	82
103 Jet pipe TR 1050 mm (4.112-000.0)	84
1 Jet pipe TR 1050 mm	85
105 EASY!Force Advanced (4.118-005.0)	87
1 Hand trigger gun TR EH 155	88
9000 Spare part set lever (2.885-483.0)	90
106 Rotary controller TR 416L (4.118-008.0)	92
1 Rotary controller TR 416L	93
107 Hose assembly TR rotatable DN8 40MPa 20m (6.110-028.0)	95
1 Hose assembly TR rotatable DN8 40MPa 20m	96
110 Control panel	98
Spare parts list HDS 10/20-4MX *EU-I (5.973-813.0)	100
10 Housing	101
11 Housing top part	102
8 Device cover complete only for replaceme (4.066-426.0)	104
1 Device cover complete basalt grey RAL 70	105
12 Housing bottom part	107
26 Cover fuel complete (4.064-013.0)	110
44 Set water connection 1 " (2.640-492.0)	112
13 Hose reel	114
20 Crank complete (4.481-263.0)	116
20 Pump set	118
21 Cylinder head	119
12 Piston complete (4.553-287.0)	122
20 Valve (3 Stueck) (2.884-512.0)	124
34 Piston complete only for replacement (4.553-197.0)	126
40 Valve complete (4.580-594.0)	128
100 Spare part set pump (2.885-034.0)	130
1 Valve (3 Stueck) (2.884-512.0)	131
3 Valve complete (4.580-594.0)	133
22 Piston	135
30 Motor	137
40 Blower	140
12 Conversion kit blower wheel (2.641-430.0)	142
50 Fuel pump and filter	144

## Table of contents

---

3 Fuel pump only for replacement (4.473-032.0)	146
6 Filter complete (4.730-167.3)	148
1 Filter complete (4.730-167.0)	149
60 Electric control box	151
70 Flow heater	153
72 Burner cover	154
7 Cover pressure boiler only for replaceme (4.654-288.0)	156
11 Conversion kit ignition electrode (2.638-974.0)	158
74 Heating coil	160
75 Burner bottom	162
2 Bottom pressure boiler (4.655-044.0)	164
80 Float valve	166
90 Safety system	168
10 Safety valve complete replacement (4.580-709.0)	170
100 Accessories	172
101 Power nozzle TR 25054 (2.113-011.0)	174
102 Steam nozzle TR 40070 (2.114-006.0)	176
103 Jet pipe TR 1050 mm (4.112-000.0)	178
1 Jet pipe TR 1050 mm	179
105 EASY!Force Advanced (4.118-005.0)	181
1 Hand trigger gun TR EH 155	182
9000 Spare part set lever (2.885-483.0)	184
106 Rotary controller TR 416L (4.118-008.0)	186
1 Rotary controller TR 416L	187
107 Hose assembly TR rotatable DN8 40MPa 20m (6.110-028.0)	189
1 Hose assembly TR rotatable DN8 40MPa 20m	190
110 Control panel	192
1030 Short spare parts list	194

HDS 10/20-4 MX \*EU-I (1.071-912.0)

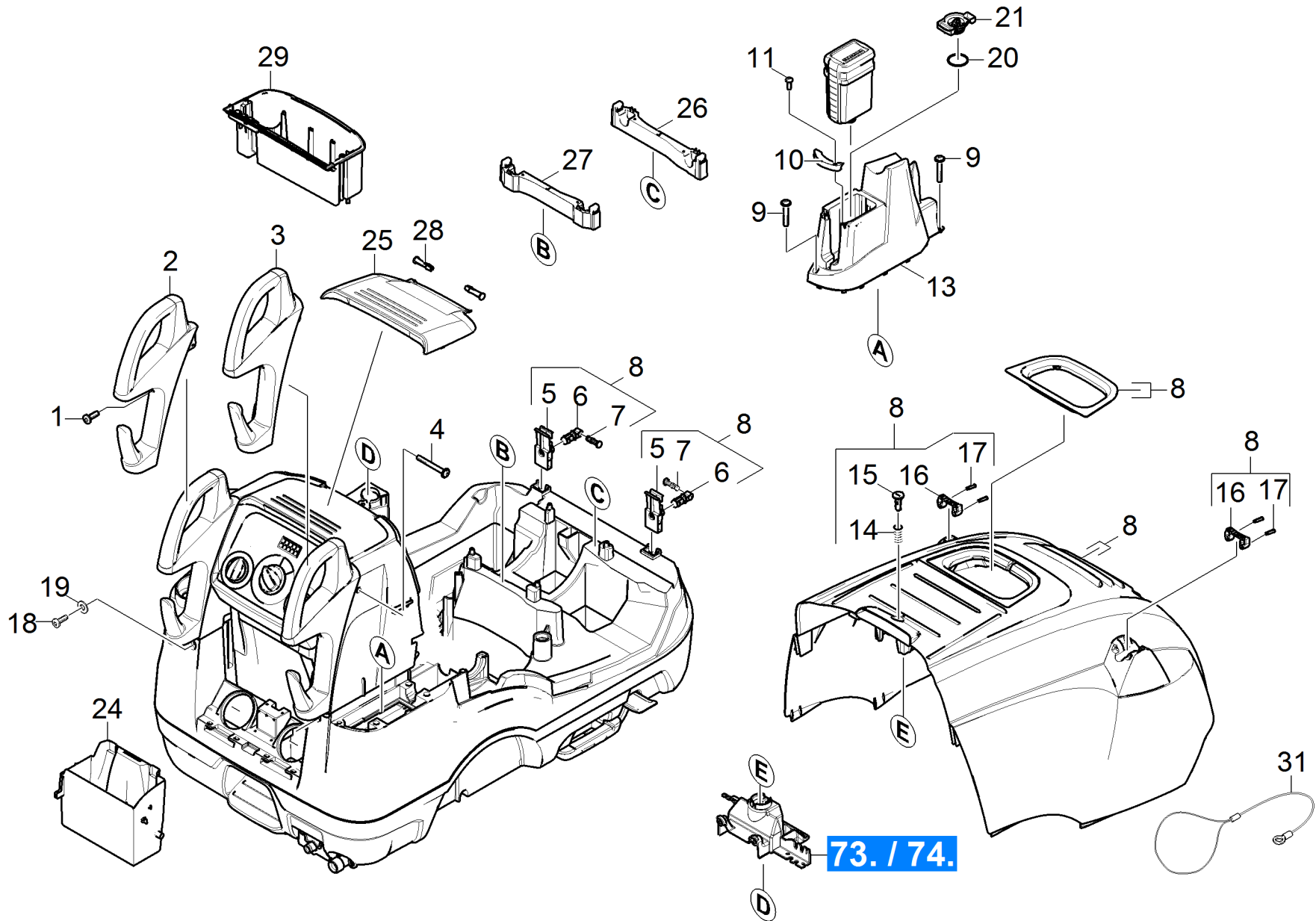
POS	Article no.	Description	Quantity	Unit
0	2.002-066.0	HDS 10/20-4 MX *EU-I TV 01.01.2018	1.000	ST
0		PAIS HDS 10/20-4M	1.000	ST
1030		Short spare parts list	1.000	ST
0	5.973-813.0	Spare parts list HDS 10/20-4MX *EU-I	1.000	ST

<b>POS</b>	<b>Description</b>	<b>Quantity</b>	<b>Unit</b>
100	Accessories	1.000	ST
40	Blower	1.000	ST
110	Control panel	1.000	ST
60	Electric control box	1.000	ST
80	Float valve	1.000	ST
70	Flow heater	1.000	ST
50	Fuel pump and filter	1.000	ST
10	Housing	1.000	ST
30	Motor	1.000	ST
20	Pump set	1.000	ST
90	Safety system	1.000	ST

## 10 Housing

---

<b>POS</b>	<b>Description</b>	<b>Quantity</b>	<b>Unit</b>
13	Hose reel	1.000	ST
12	Housing bottom part	1.000	ST
11	Housing top part	1.000	ST





## 11 Housing top part

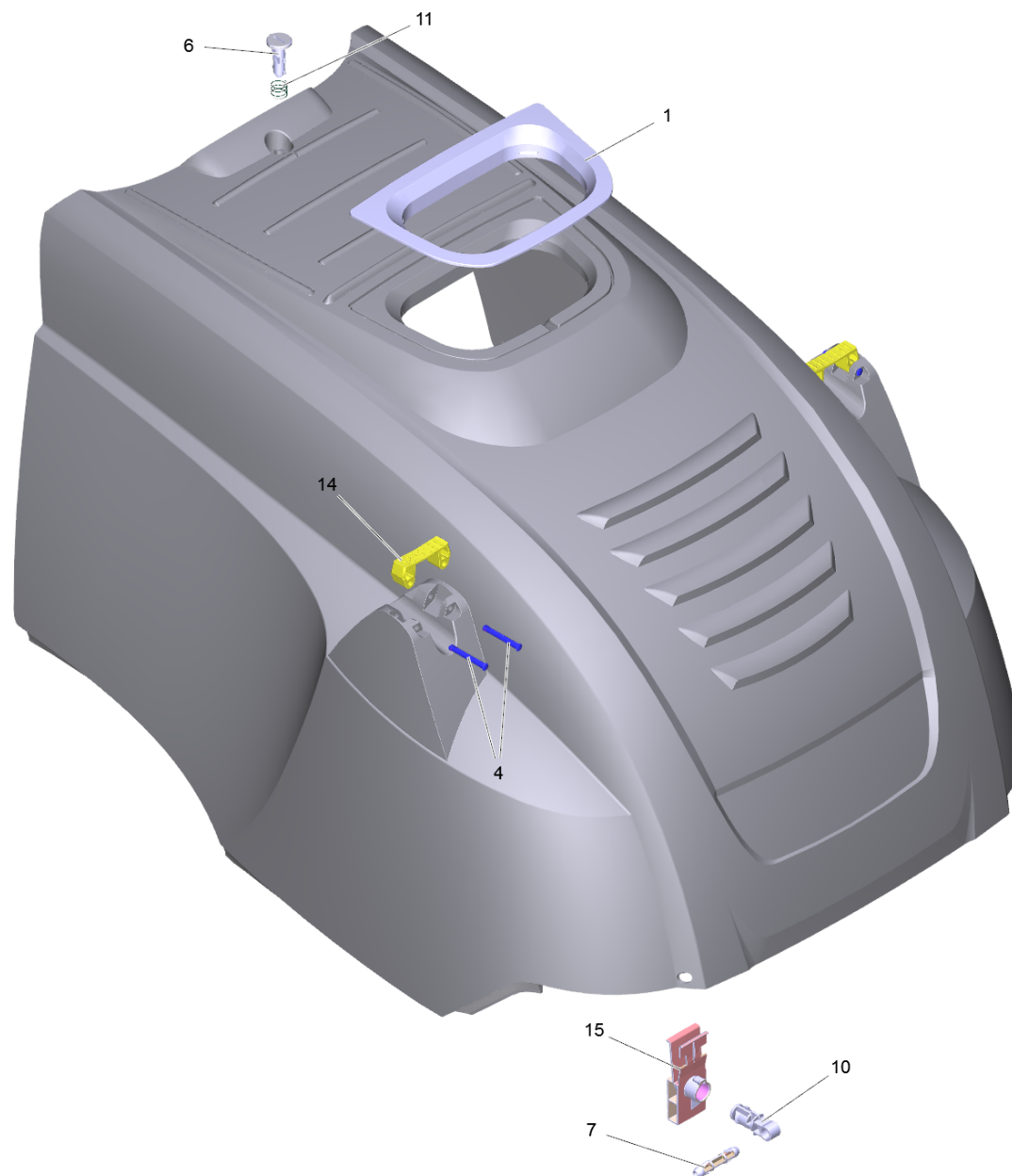
POS	Article no.	Description	Quantity	Unit
28	5.317-220.0	Bolt	2.000	ST
7	5.317-291.0	Bolt	2.000	ST
15	5.317-765.0	Bolt closure cover	1.000	ST
6	5.317-779.0	Bolt hinge black	2.000	ST
21	5.425-495.0	CONNECTION PIECE DGT	1.000	ST
13	5.033-344.0	Covering cap DGT	1.000	ST
8	4.066-426.0	Device cover complete only for replaceme	1.000	ST
16	5.424-162.0	Fixing jet pipe	2.000	ST
25	5.033-113.0	Flap	1.000	ST
24	5.033-155.0	Flap	1.000	ST
14	5.332-236.0	Helical spring	1.000	ST
5	5.501-083.0	Hinge cover black	2.000	ST
20	6.362-377.0	O-Ring seal 38,0 X 2,0-NBR 70	1.000	ST
17	5.314-143.0	Pin fixing jet pipe	4.000	ST
10	5.033-381.0	Profile	1.000	ST
11	7.303-106.0	Screw 4x12 -10.9-R2R (IN6RD)	1.000	ST
9	7.303-086.0	Screw 5x30 -10.9-R2R (K-In6Rd)	2.000	ST
4	7.303-209.0	Screw 6x50 -10.9-R2R (K-In6Rd)	2.000	ST
1	7.303-069.0	Screw M 8x25-ST-R3R (IN6RD)	2.000	ST
18	6.303-497.0	Screw M8x35-8.8-A2E (IN6RD)	2.000	ST
32	5.061-455.0	Sheet metal component	1.000	ST
2	5.321-830.0	Sliding handle left	1.000	ST
3	5.321-831.3	Sliding handle right	1.000	ST
29	5.033-112.0	Storage compartment	1.000	ST
26	5.190-249.0	Strip front	1.000	ST
27	5.190-250.0	Strip rear	1.000	ST
31	6.431-284.0	Tackle cover	1.000	ST
19	7.312-277.0	Washer 8-200HV-A2E ISO7093-1	2.000	ST

8 Device cover complete only for replaceme (4.066-426.0)

---

POS	Description	Quantity	Unit
1	Device cover complete basalt grey RAL 70	1.000	ST

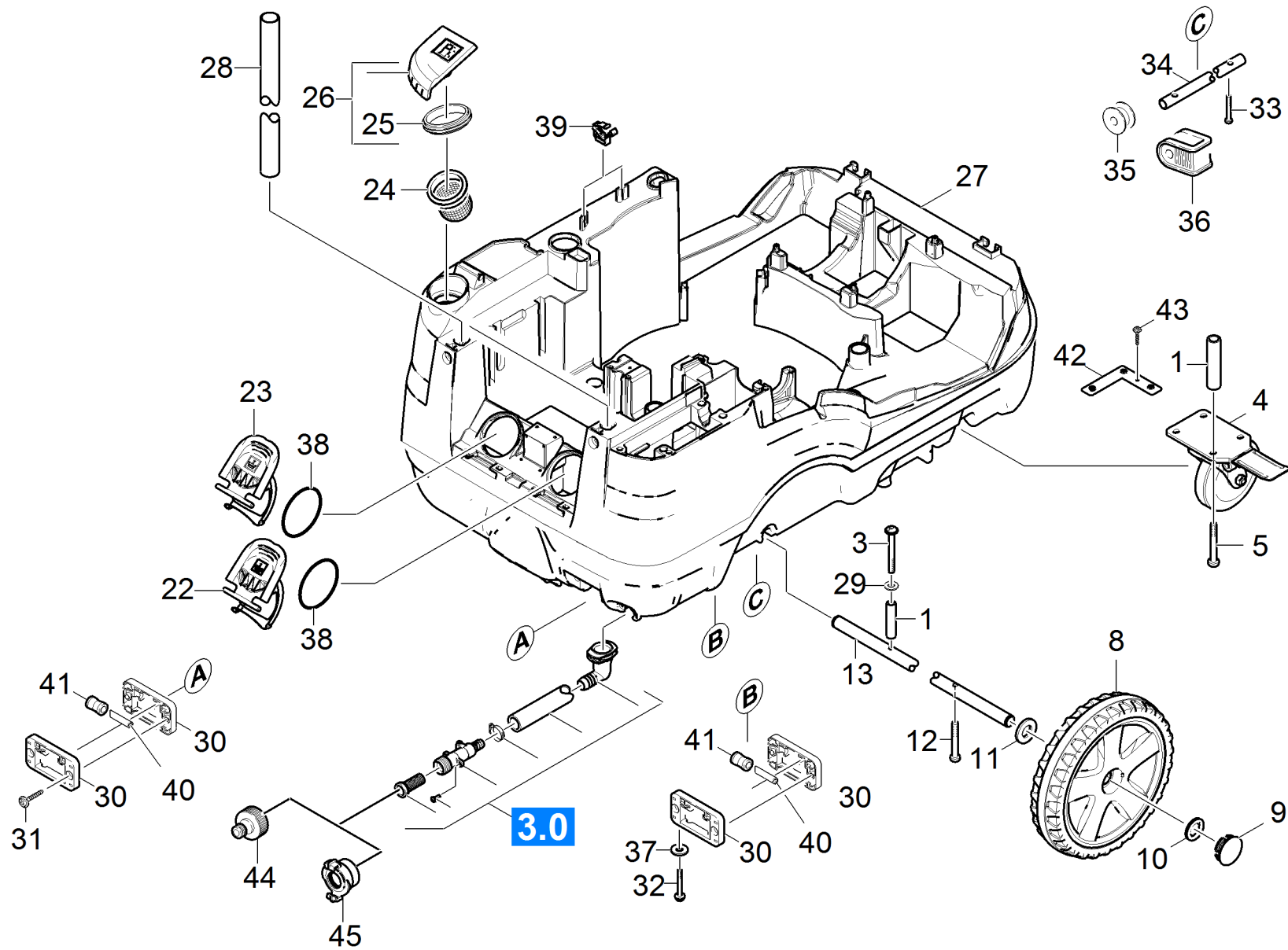
---



## 1 Device cover complete basalt grey RAL 70

---

<b>POS</b>	<b>Article no.</b>	<b>Description</b>	<b>Quantity</b>	<b>Unit</b>
7	5.317-291.0	Bolt	2.000	ST
6	5.317-765.0	Bolt closure cover	1.000	ST
10	5.317-779.0	Bolt hinge black	2.000	ST
14	5.424-162.0	Fixing jet pipe	2.000	ST
11	5.332-236.0	Helical spring	1.000	ST
15	5.501-083.0	Hinge cover black	2.000	ST
4	5.314-143.0	Pin fixing jet pipe	4.000	ST
1	5.061-455.0	Sheet metal component	1.000	ST



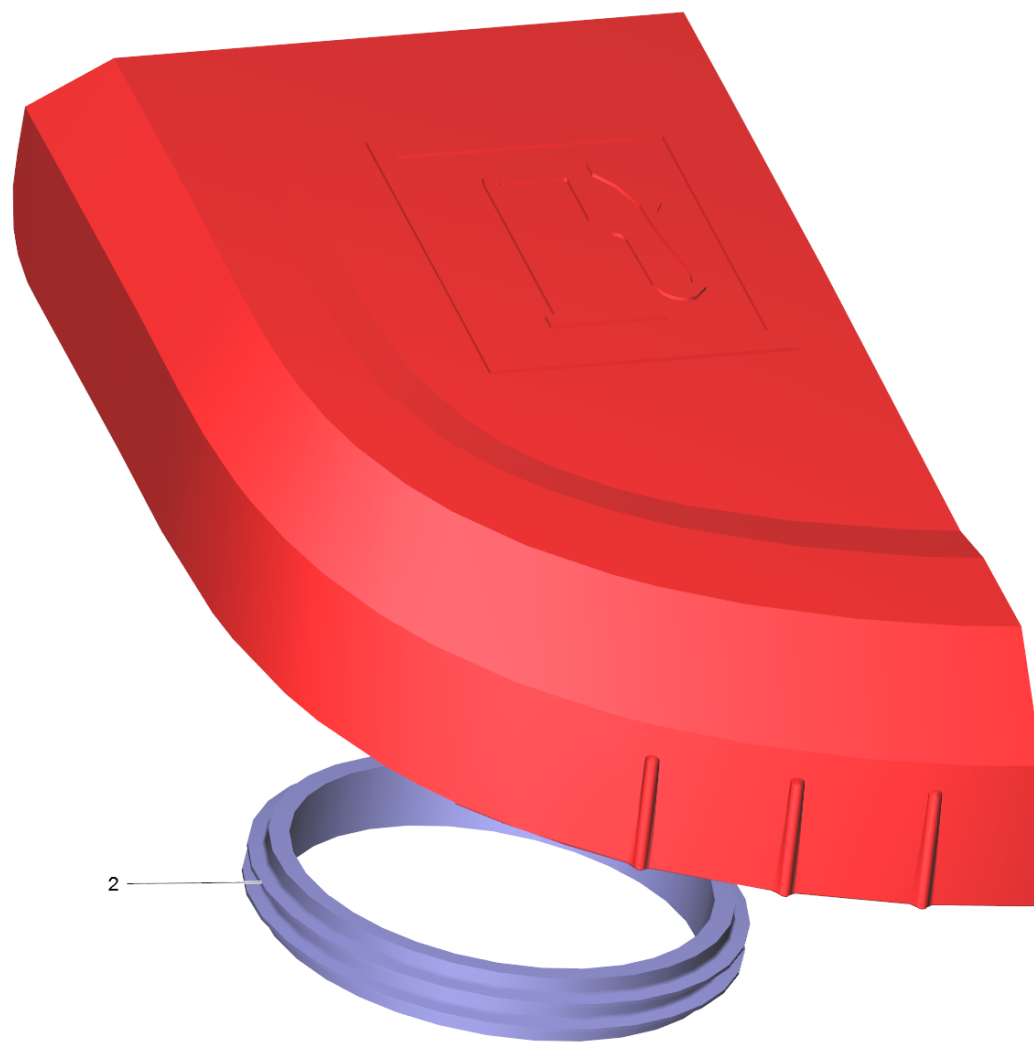
## 12 Housing bottom part

POS	Article no.	Description	Quantity	Unit	Foot note text
13	5.105-652.0	Axle	1.000	ST	
40	5.128-511.0	Axle	6.000	ST	
34	5.033-524.0	Axle	2.000	ST	
4	6.435-747.0	Castor	1.000	ST	
23	5.064-221.0	Cover chemistry 1	1.000	ST	
22	5.064-231.0	Cover chemistry 2	1.000	ST	
26	4.064-013.0	Cover fuel complete	1.000	ST	
35	5.515-112.0	Deflection pulley	1.000	ST	
24	5.731-039.0	Filter	1.000	ST	
42	5.424-137.0	Fixing castor	1.000	ST	
27	4.051-109.0	Frame neue M-Klasse Ersatz	1.000	ST	
39	5.802-306.0	Holder cable	2.000	ST	
30	5.044-646.0	Holder roller front	4.000	ST	
45	6.388-458.0	Hose coupling	1.000	ST	
25	5.363-300.0	Joint ring	1.000	ST	
10	6.343-162.0	Lock washer -25	2.000	ST	
38	6.363-443.0	O-Ring seal 75x5	2.000	ST	
41	5.515-191.0	Roller	6.000	ST	
43	7.303-107.0	Screw 5x16 -10.9-P2R (K-In6Rd)	1.000	ST	
33	7.303-086.0	Screw 5x30 -10.9-R2R (K-In6Rd)	2.000	ST	
31	7.303-118.0	Screw 5x40 -A2-70 (IN6Rd)	2.000	ST	
32	7.303-171.0	Screw 5x80 -10.9-R2R (K-In6Rd)	2.000	ST	
12	7.303-236.0	Screw M 8x60-St-A3E (IN6RD)	1.000	ST	
3	7.303-236.0	Screw M 8x60-St-A3E (IN6RD)	1.000	ST	
5	7.303-237.0	Screw M 8x70-St-A3K (IN6RD)	3.000	ST	
44	2.640-492.0	Set water connection 1 "	1.000	ST	
9	2.889-086.0	Set wheel cap	1.000	ST	SET OF 2 PIECES
36	5.033-415.0	Slider	1.000	ST	
1	5.111-065.0	Spacer sleeve	4.000	ST	
28	5.027-292.0	Tube handhold	2.000	ST	
37	7.312-278.0	Washer 5-200HV-A2E ISO7093-1	2.000	ST	
29	7.312-277.0	Washer 8-200HV-A2E ISO7093-1	1.000	ST	
11	7.312-060.0	Washer 24-100HV-A3E ISO 7091	2.000	ST	

## 12 Housing bottom part

---

<b>POS</b>	<b>Article no.</b>	<b>Description</b>	<b>Quantity</b>	<b>Unit</b>	<b>Foot note text</b>
8	4.515-345.0	Wheel complete	2.000	ST	



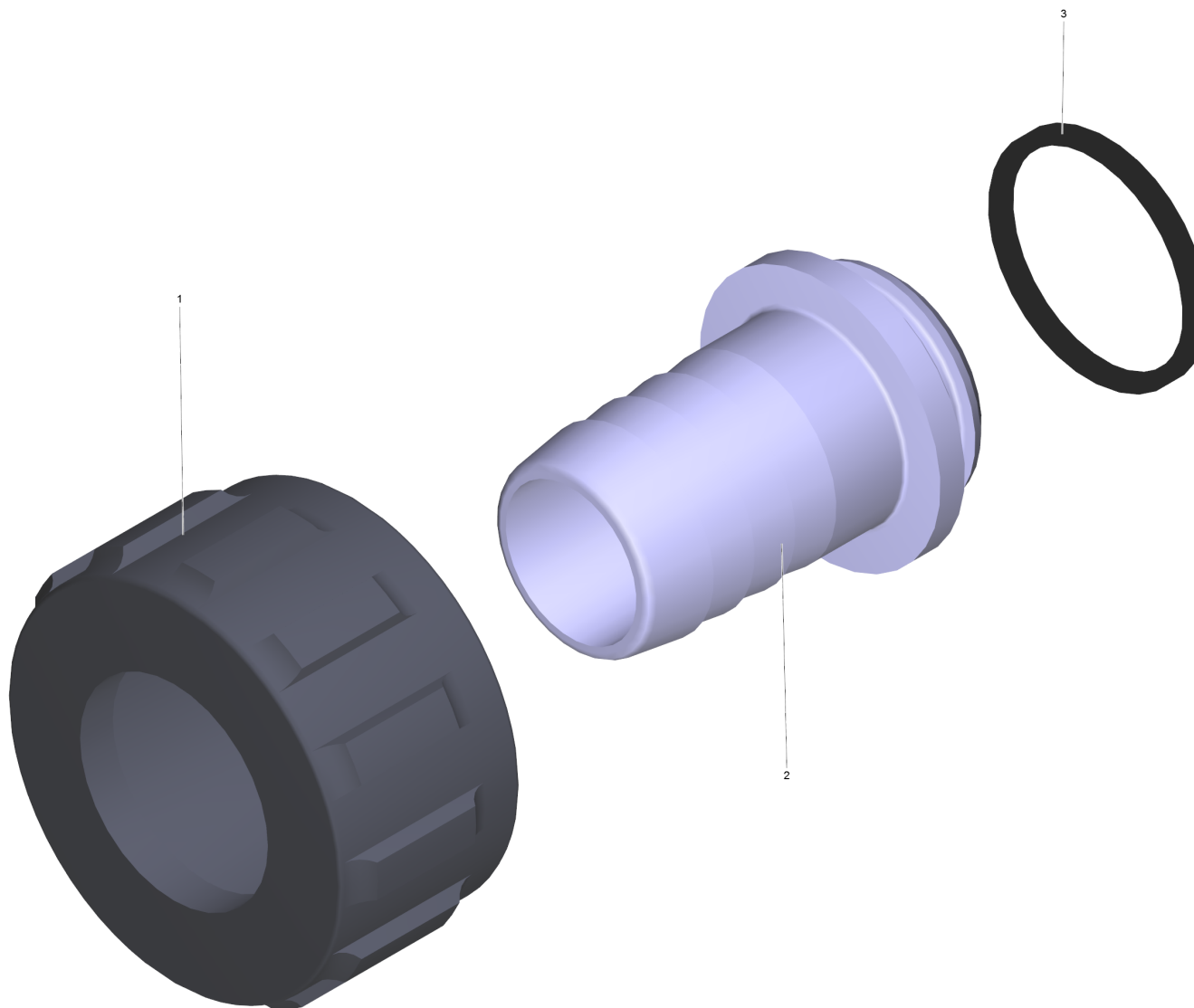


26 Cover fuel complete (4.064-013.0)

---

<b>POS</b>	<b>Article no.</b>	<b>Description</b>	<b>Quantity</b>	<b>Unit</b>
2	5.363-300.0	Joint ring	1.000	ST

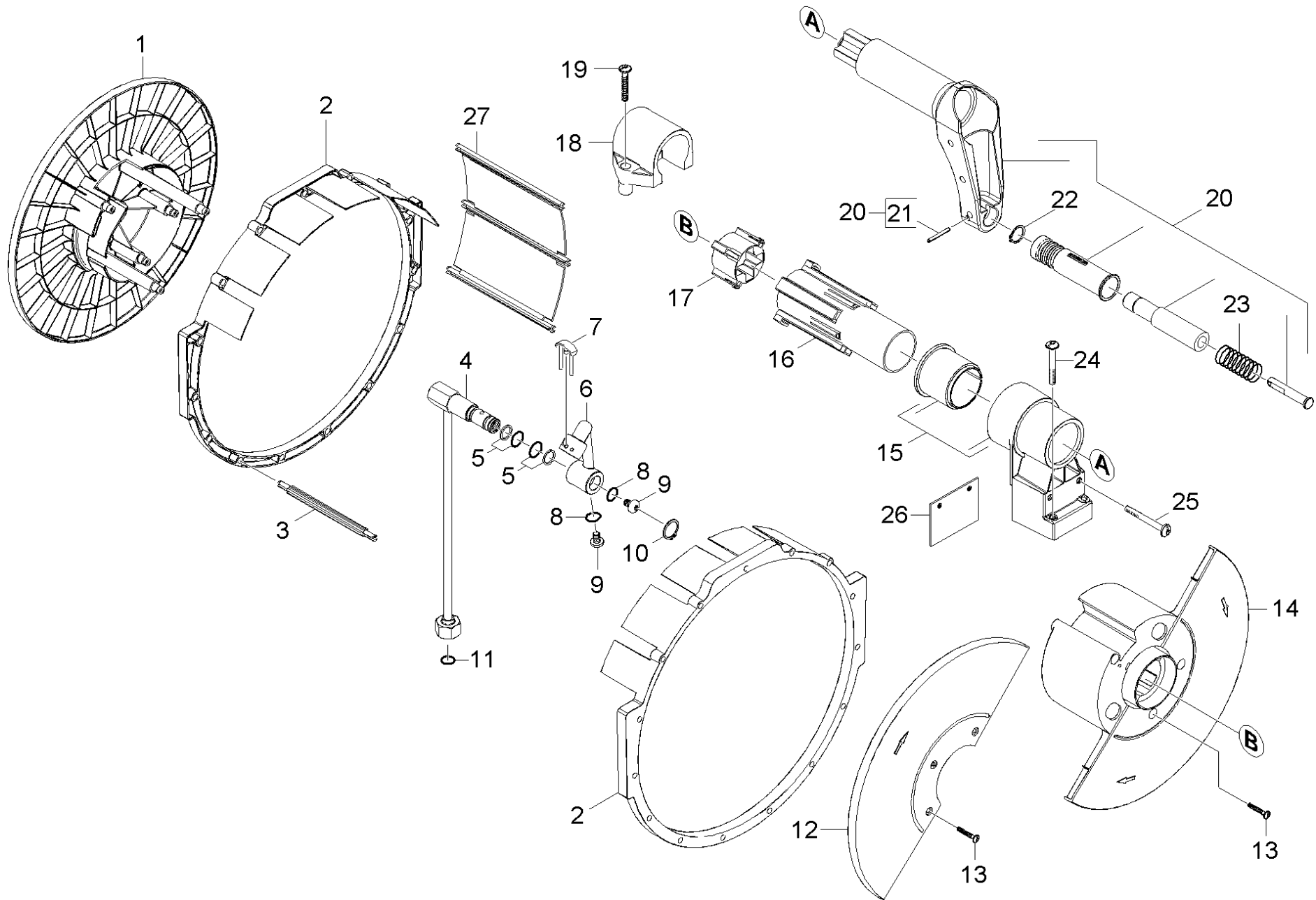
---



44 Set water connection 1 " (2.640-492.0)

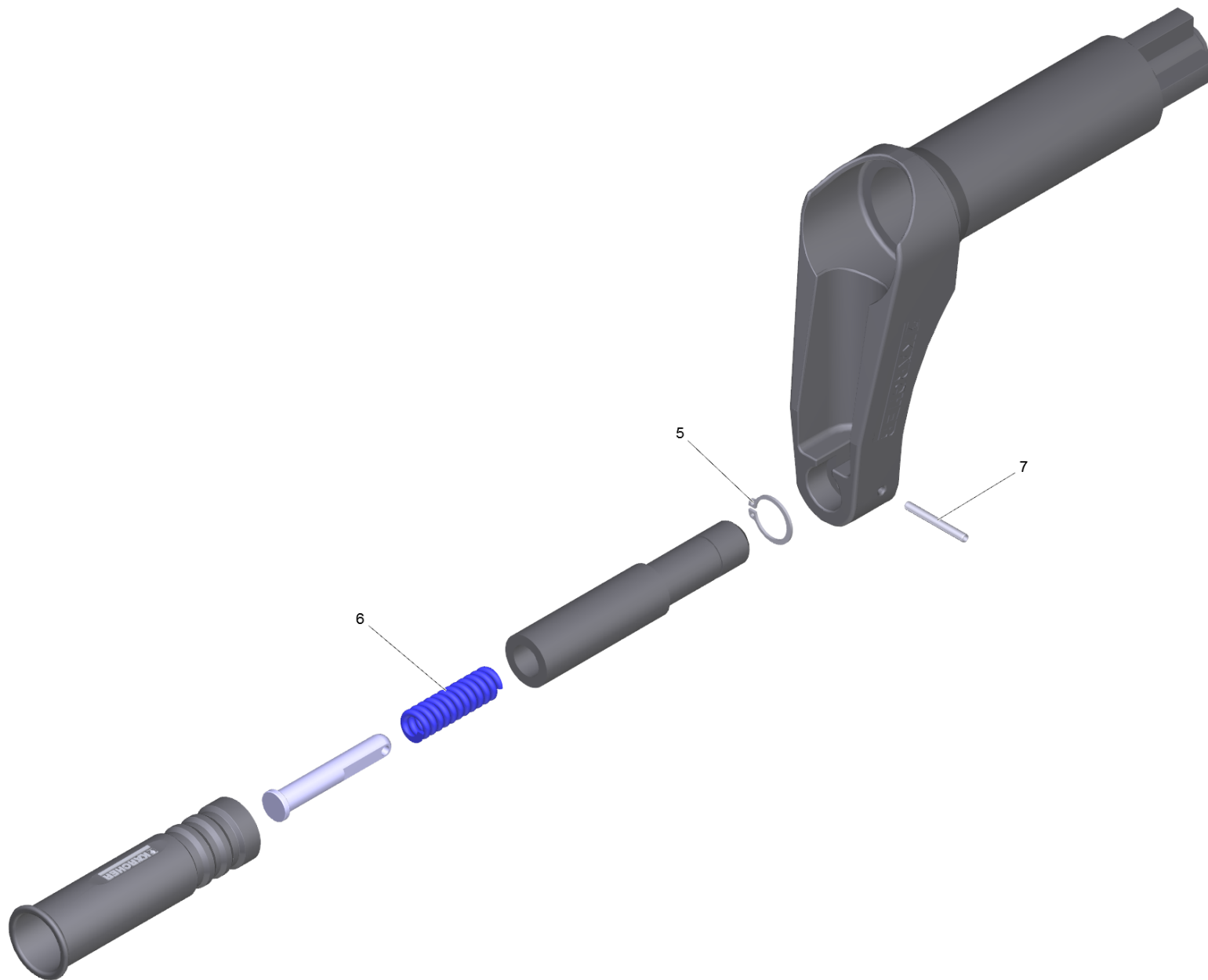
---

<b>POS</b>	<b>Article no.</b>	<b>Description</b>	<b>Quantity</b>	<b>Unit</b>
2	5.443-291.0	Hose stem	1.000	ST
1	5.310-076.0	Nut	1.000	ST
3	6.362-161.0	O-Ring seal 19,3 X 2,4	1.000	ST



## 13 Hose reel

POS	Article no.	Description	Quantity	Unit
18	5.251-060.0	Bearing support bottom part	1.000	ST
15	4.251-051.0	Bearing support completely	1.000	ST
26	5.762-400.0	Bracket	1.000	ST
2	5.044-849.0	Cage	2.000	ST
16	5.251-070.0	Carrier aussen	1.000	ST
17	5.251-069.0	Carrier innen	1.000	ST
20	4.481-263.0	Crank complete	1.000	ST
23	5.332-005.0	Helical spring	1.000	ST
7	4.037-013.0	Hook	1.000	ST
1	5.776-019.0	Hose reel left half	1.000	ST
14	5.776-020.0	Hose reel right half 1	1.000	ST
12	5.776-021.0	Hose reel right half 2	1.000	ST
10	7.343-018.0	Locking ring 18x1,2-Rf-St DIN 471	1.000	ST
22	7.343-007.0	Locking ring 20x1,2-FST-RF DIN 471	1.000	ST
6	5.427-310.0	Manifold	1.000	ST
8	6.363-484.0	O-Ring seal 8 x 2,2 mm HNBR Shore 80	2.000	ST
11	6.363-485.0	O-Ring seal 10x 2 mm HNBR Shore 80	1.000	ST
5	6.363-073.3	O-Ring seal 14x1,78 1XSRH-NBR	2.000	ST
4	4.422-103.0	Pipelines	1.000	ST
27	5.394-853.0	Protection part	1.000	ST
3	5.027-295.0	Rod	11.000	ST
13	7.303-108.0	Screw 5x20 -10.9-R2R (In6Rd)	6.000	ST
19	7.303-118.0	Screw 5x40 -A2-70 (IN6Rd)	2.000	ST
24	7.303-209.0	Screw 6x50 -10.9-R2R (K-In6Rd)	2.000	ST
25	7.306-201.0	Screw M 6x55-A2-70 (IN6RD)	2.000	ST
9	7.306-223.0	Screw M8x12 -A2-70 (In6Rd)	2.000	ST
21	7.314-967.0	Spring pin 4x35 -St ISO 13337	1.000	ST



20 Crank complete (4.481-263.0)

---

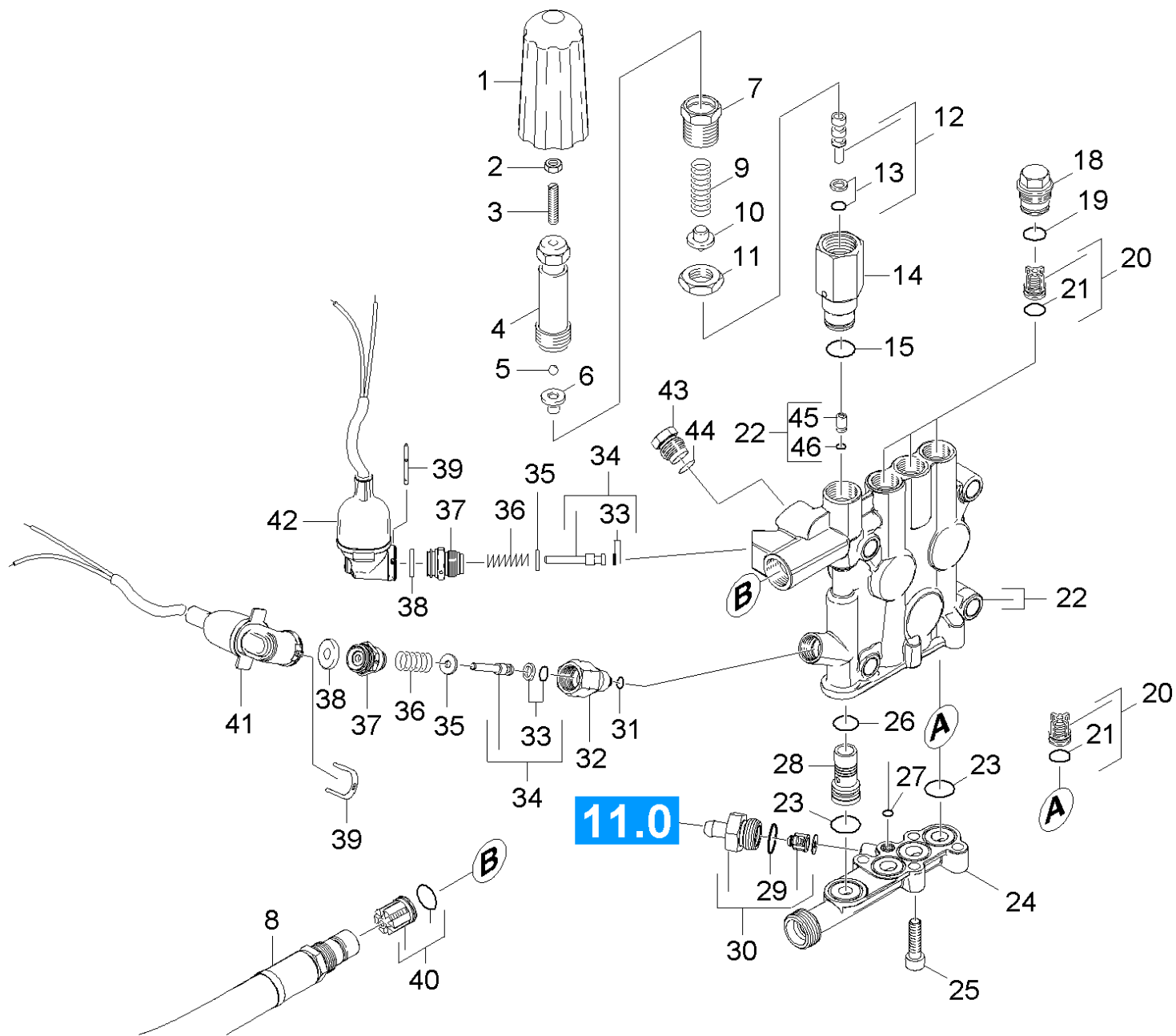
<b>POS</b>	<b>Article no.</b>	<b>Description</b>	<b>Quantity</b>	<b>Unit</b>
6	5.332-005.0	Helical spring	1.000	ST
5	7.343-007.0	Locking ring 20x1,2-FST-RF DIN 471	1.000	ST
7	7.314-967.0	Spring pin 4x35 -St ISO 13337	1.000	ST

20 Pump set

---

<b>POS</b>	<b>Description</b>	<b>Quantity</b>	<b>Unit</b>
21	Cylinder head	1.000	ST
22	Piston	1.000	ST





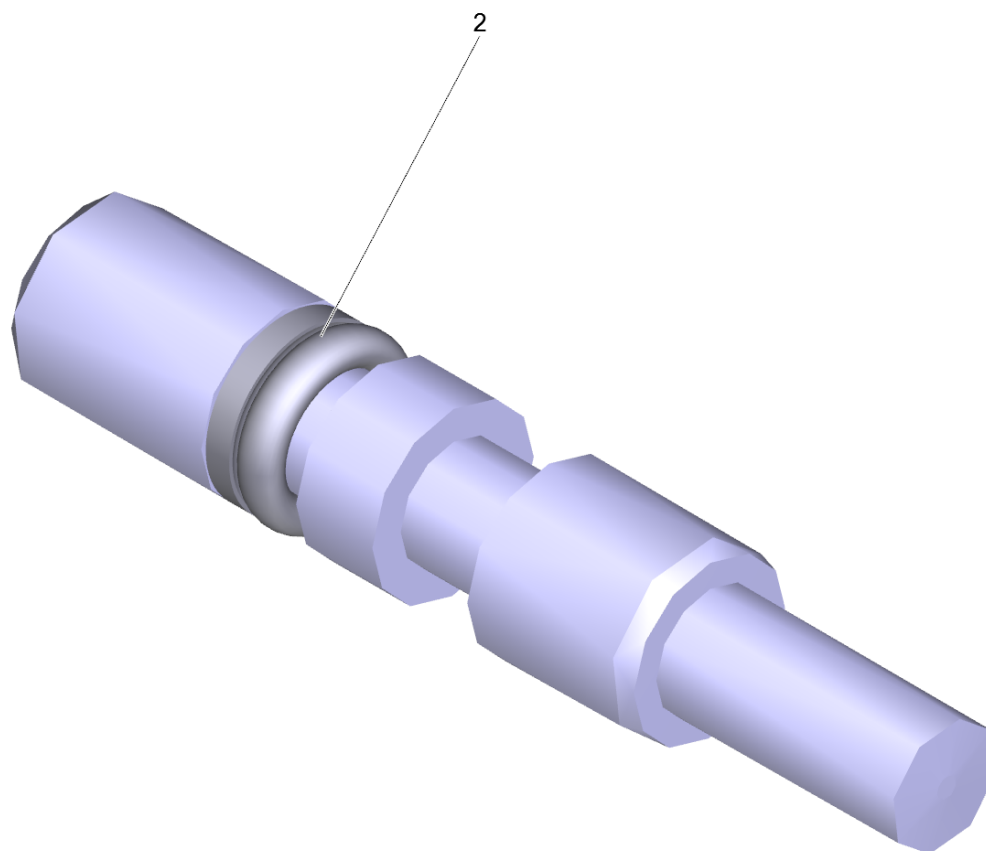
## 21 Cylinder head

POS	Article no.	Description	Quantity	Unit
14	5.402-746.0	Connection piece	1.000	ST
22	4.550-886.0	Cylinder head complete	1.000	ST
25	7.306-043.0	Cylinder head screw M8x30 -8.8-A2E ISO	4.000	ST
38	5.367-030.0	Diaphragm	2.000	ST
1	5.322-103.0	Handle	1.000	ST
36	5.332-268.0	Helical spring	2.000	ST
9	5.332-444.0	Helical spring	1.000	ST
4	5.304-070.0	Hexagonal head screw	1.000	ST
2	7.311-002.0	Hexagon nut M5 -6-A2E ISO 4032	1.000	ST
11	5.311-204.0	Hexagon nut M22x1,5	1.000	ST
8	6.391-629.0	High pressure hose DN 13	1.000	ST
7	5.404-082.0	Hollow screw	1.000	ST
32	5.402-705.3	Joining piece	1.000	ST
24	5.427-418.0	Manifold water intake	1.000	ST
31	6.362-853.0	O-Ring seal 4,47x1,78	1.000	ST
46	6.362-386.0	O-Ring seal 5,0 x 1,5-NBR 80	1.000	ST
27	6.362-703.0	O-Ring seal 6,0x1,5-NBR 70	1.000	ST
44	6.362-176.0	O-Ring seal 6,07x1,78	1.000	ST
21	6.363-003.0	O-Ring seal 13,0 X 2,0-NBR 90	6.000	ST
26	6.362-381.0	O-Ring seal 13x2 - NBR 70	1.000	ST
19	6.362-481.0	O-Ring seal 14,0 x 2,0 NBR 80	3.000	ST
29	6.362-427.0	O-Ring seal 15,0x2,0	1.000	ST
15	6.362-427.0	O-Ring seal 15,0x2,0	1.000	ST
23	6.363-536.0	O-Ring seal 21x1,5	4.000	ST
13	6.362-468.0	O-Ring seal complete 1ST.-R.	1.000	ST
33	6.363-037.0	O-Ring seal complete 1ST.-R.	2.000	ST
12	4.553-287.0	Piston complete	1.000	ST
34	4.553-197.0	Piston complete only for replacement	2.000	ST
39	5.034-494.0	Retaining bracket	2.000	ST
43	5.411-504.0	Screw plug	1.000	ST
37	5.411-148.0	Screw plug	2.000	ST
28	5.110-865.0	Sleeve	1.000	ST
100	2.885-034.0	Spare part set pump	1.000	ST

## 21 Cylinder head

---

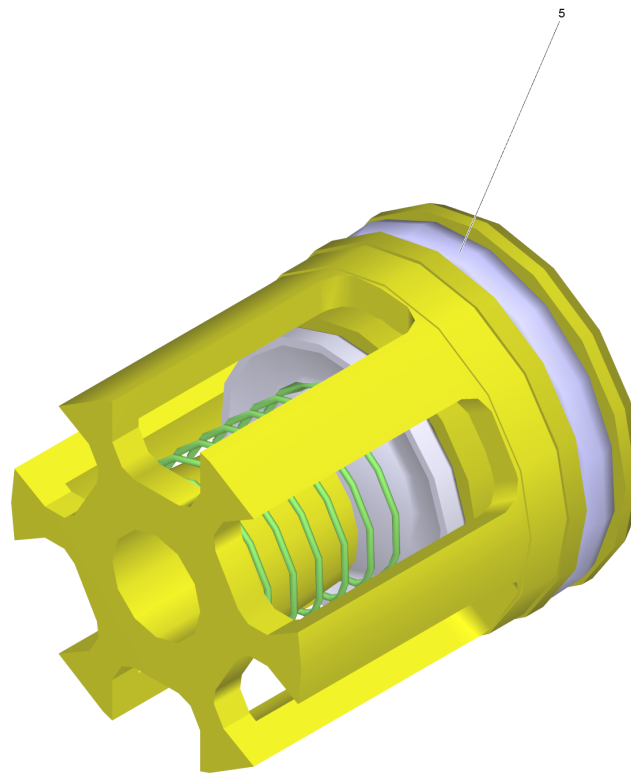
POS	Article no.	Description	Quantity	Unit
5	7.401-931.0	Sphere 5 KI3 -1.4401 DIN 5401	1.000	ST
42	4.744-224.0	Switch complete	1.000	ST
41	4.744-225.3	Switch complete	1.000	ST
3	7.307-017.0	Threaded pin M5x40 -St-45H-A2E ISO 4026	1.000	ST
20	2.884-512.0	Valve (3 Stueck)	2.000	ST
40	4.580-594.0	Valve complete	1.000	ST
30	4.580-581.3	Valve complete	1.000	ST
6	5.582-121.0	Valve disc	1.000	ST
10	5.584-114.0	Valve pin	1.000	ST
18	5.583-146.3	Valve screw	3.000	ST
45	5.581-239.0	Valve seat	1.000	ST
35	5.115-796.0	Washer	2.000	ST



12 Piston complete (4.553-287.0)

---

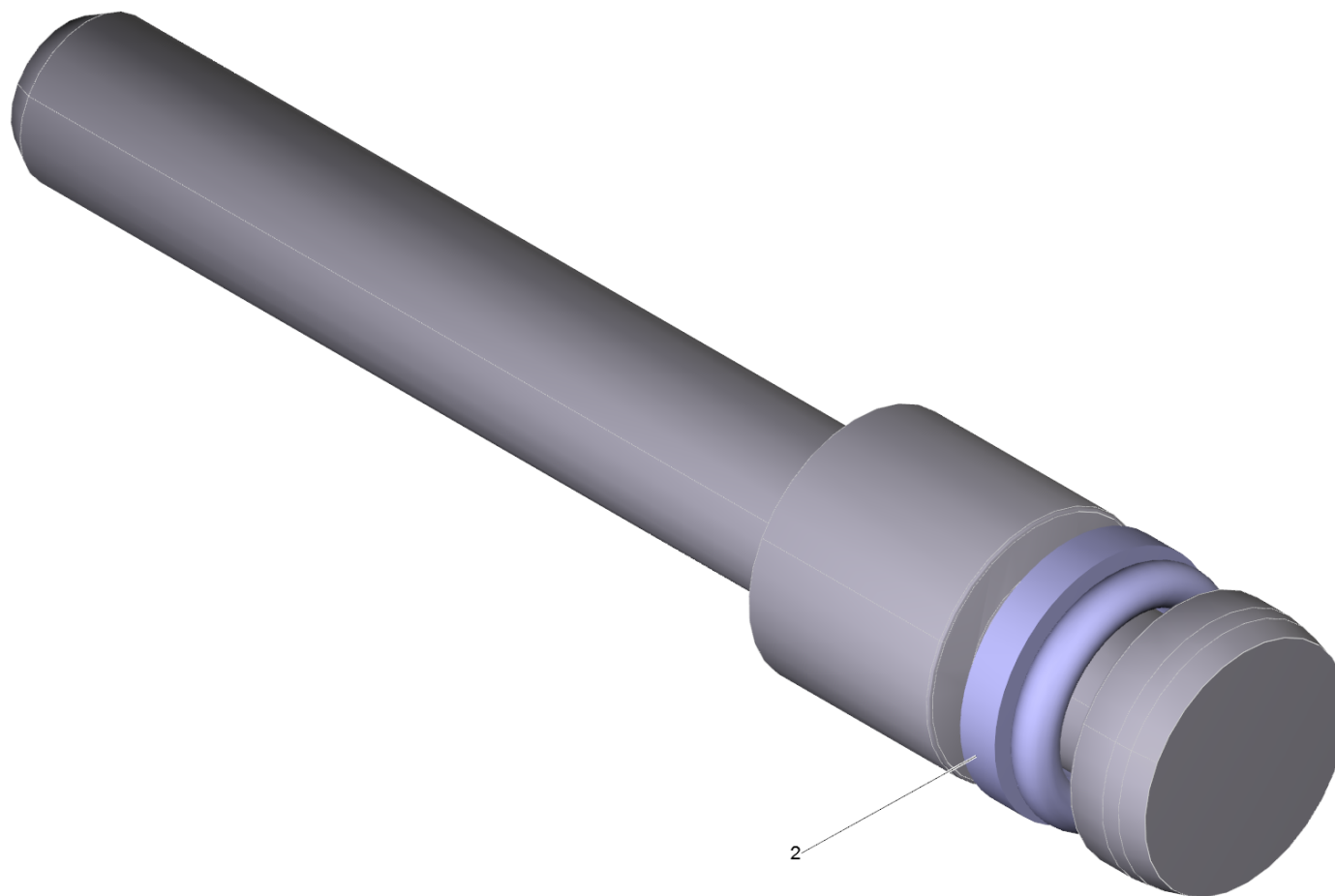
POS	Article no.	Description	Quantity	Unit
2	6.362-468.0	O-Ring seal complete 1ST.-R.	1.000	ST



20 Valve (3 Stueck) (2.884-512.0)

---

POS	Article no.	Description	Quantity	Unit
5	6.363-003.0	O-Ring seal 13,0 X 2,0-NBR 90	1.000	ST



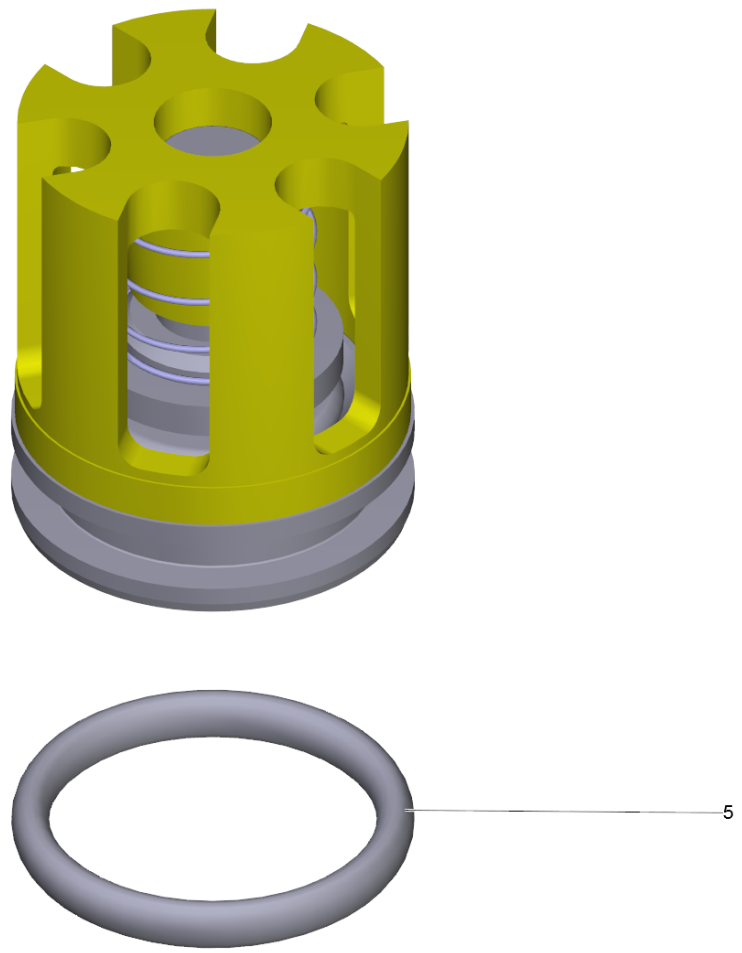


34 Piston complete only for replacement (4.553-197.0)

---

<b>POS</b>	<b>Article no.</b>	<b>Description</b>	<b>Quantity</b>	<b>Unit</b>
2	6.363-037.0	O-Ring seal complete 1ST.-R.	1.000	ST

---



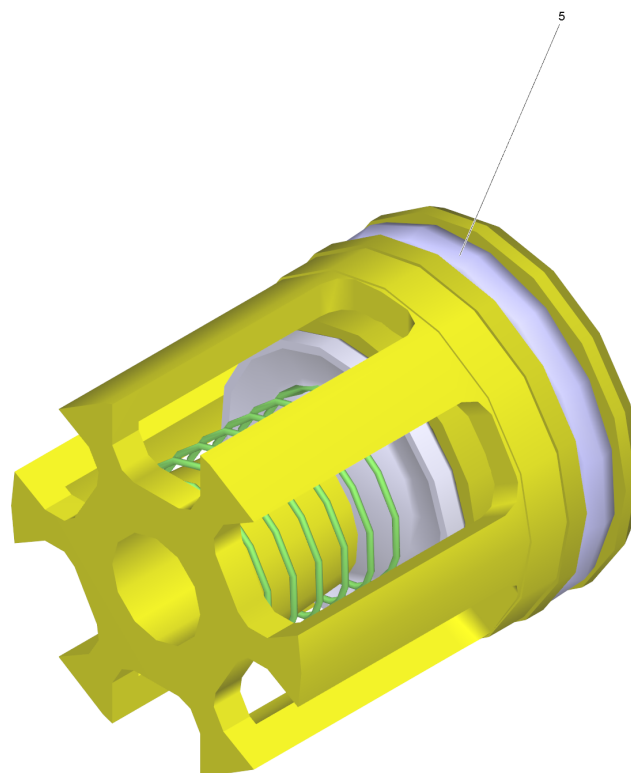
40 Valve complete (4.580-594.0)

---

POS	Article no.	Description	Quantity	Unit
5	6.362-381.0	O-Ring seal 13x2 - NBR 70	1.000	ST

100 Spare part set pump (2.885-034.0)

POS	Article no.	Description	Quantity	Unit
13	6.365-053.0	Compact seal 20X30X6	3.000	ST
14	6.365-377.0	Grooved ring 20x30x6	3.000	ST
11	6.362-481.0	O-Ring seal 14,0 x 2,0 NBR 80	3.000	ST
9	6.362-427.0	O-Ring seal 15,0x2,0	1.000	ST
12	6.362-547.0	O-Ring seal 20,0x1,5-NBR 70	4.000	ST
8	6.362-092.0	O-Ring seal 36,0 X 2,0-NBR 70	3.000	ST
10	6.362-468.0	O-Ring seal complete 1ST.-R.	1.000	ST
4	5.034-494.0	Retaining bracket	2.000	ST
15	6.365-378.0	Supportring 20x30x4,2	3.000	ST
1	2.884-512.0	Valve (3 Stueck)	2.000	ST
2	4.580-581.3	Valve complete	1.000	ST
3	4.580-594.0	Valve complete	1.000	ST
5	5.115-537.0	Washer	3.000	ST
6	5.115-538.0	Washer	3.000	ST
7	5.115-796.0	Washer	2.000	ST

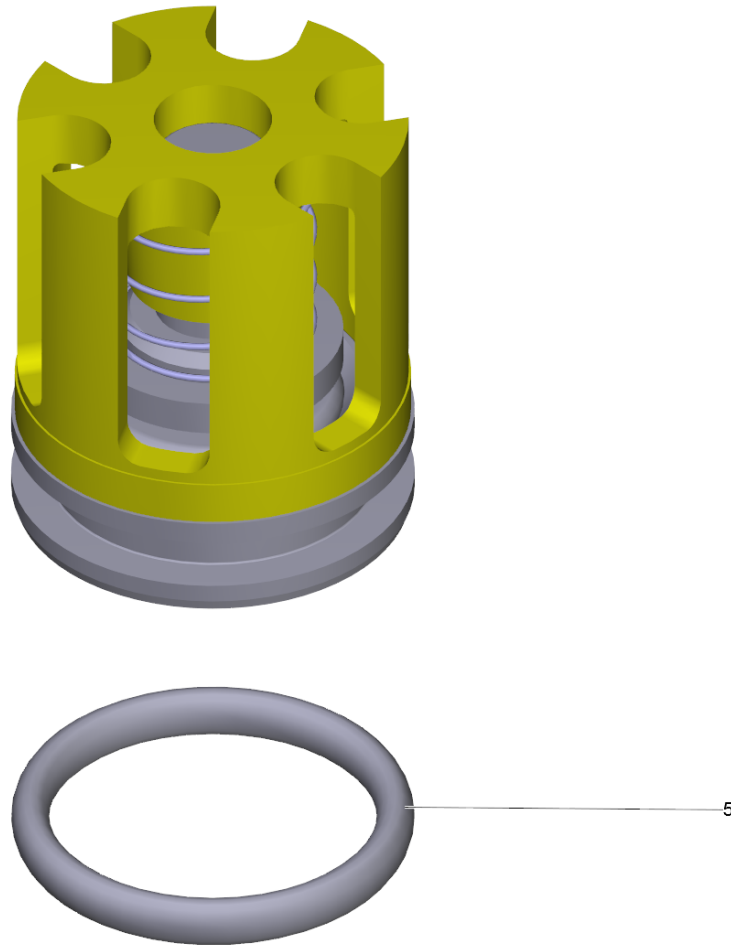


1 Valve (3 Stueck) (2.884-512.0)

---

<b>POS</b>	<b>Article no.</b>	<b>Description</b>	<b>Quantity</b>	<b>Unit</b>
5	6.363-003.0	O-Ring seal 13,0 X 2,0-NBR 90	1.000	ST

---

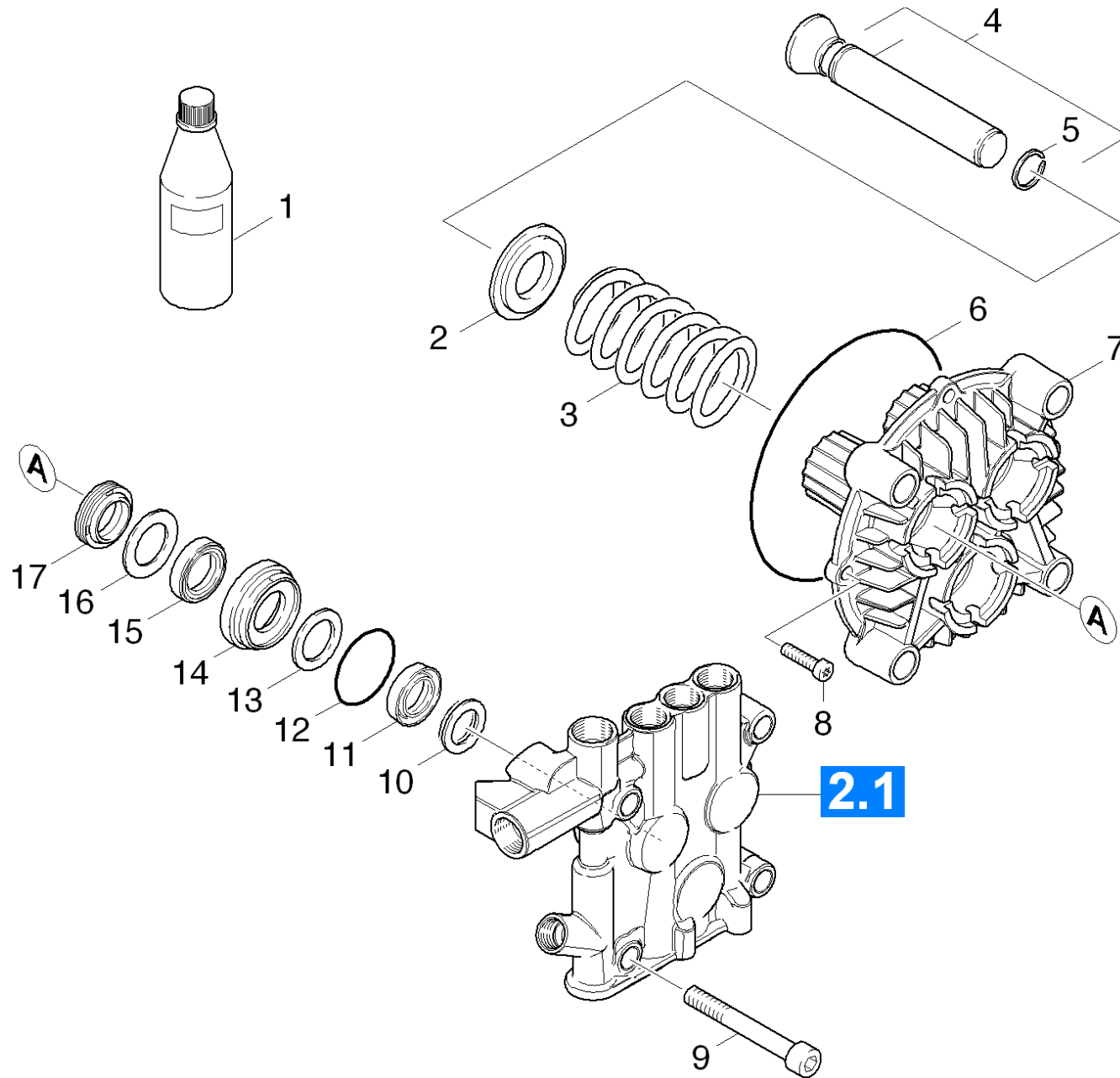


3 Valve complete (4.580-594.0)

---

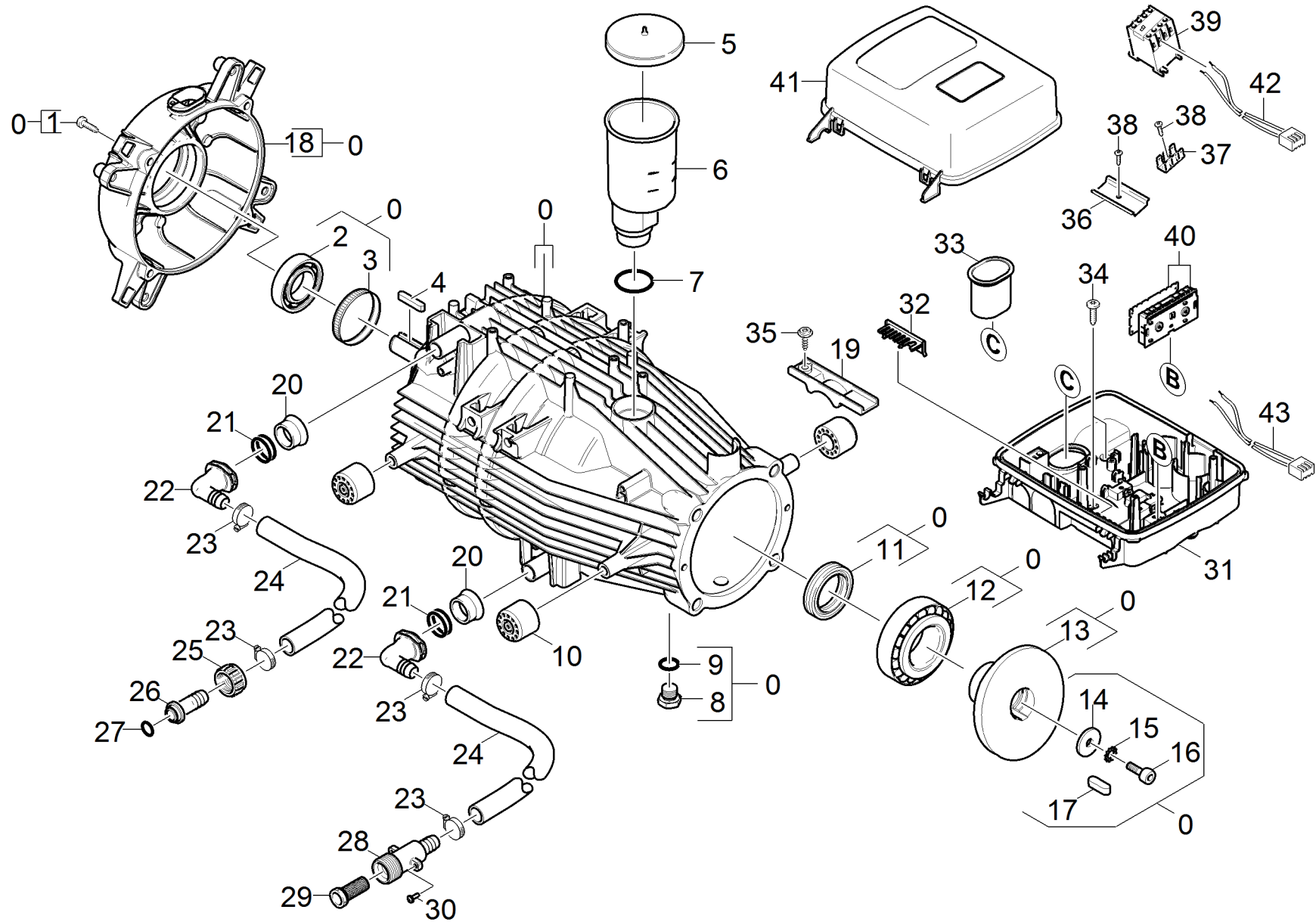
<b>POS</b>	<b>Article no.</b>	<b>Description</b>	<b>Quantity</b>	<b>Unit</b>
5	6.362-381.0	O-Ring seal 13x2 - NBR 70	1.000	ST





## 22 Piston

POS	Article no.	Description	Quantity	Unit
14	5.112-832.0	Bush	3.000	ST
15	6.365-053.0	Compact seal 20X30X6	3.000	ST
9	7.306-155.0	Cylinder head screw M12x100 -8.8-A3E IS	4.000	ST
1	6.288-016.0	Gear oil 1L	1.000	ST
17	6.365-052.0	Grooved ring 20X28X6/8	3.000	ST
11	6.365-377.0	Grooved ring 20x30x6	3.000	ST
3	5.332-187.0	Helical spring	3.000	ST
12	6.362-092.0	O-Ring seal 36,0 X 2,0-NBR 70	3.000	ST
6	6.363-228.0	O-Ring seal 114 x 3	1.000	ST
4	4.553-282.0	Piston complete only for replacement	3.000	ST
8	7.306-105.0	Screw M6x30 -8.8-R3R (In6Rd)	2.000	ST
5	6.472-331.0	Snap ring 20	3.000	ST
10	6.365-378.0	Supportring 20x30x4,2	3.000	ST
7	5.060-936.3	Thrust guidance D 20	1.000	ST
16	5.115-537.0	Washer	3.000	ST
2	5.115-991.0	Washer	3.000	ST
13	5.115-538.0	Washer	3.000	ST



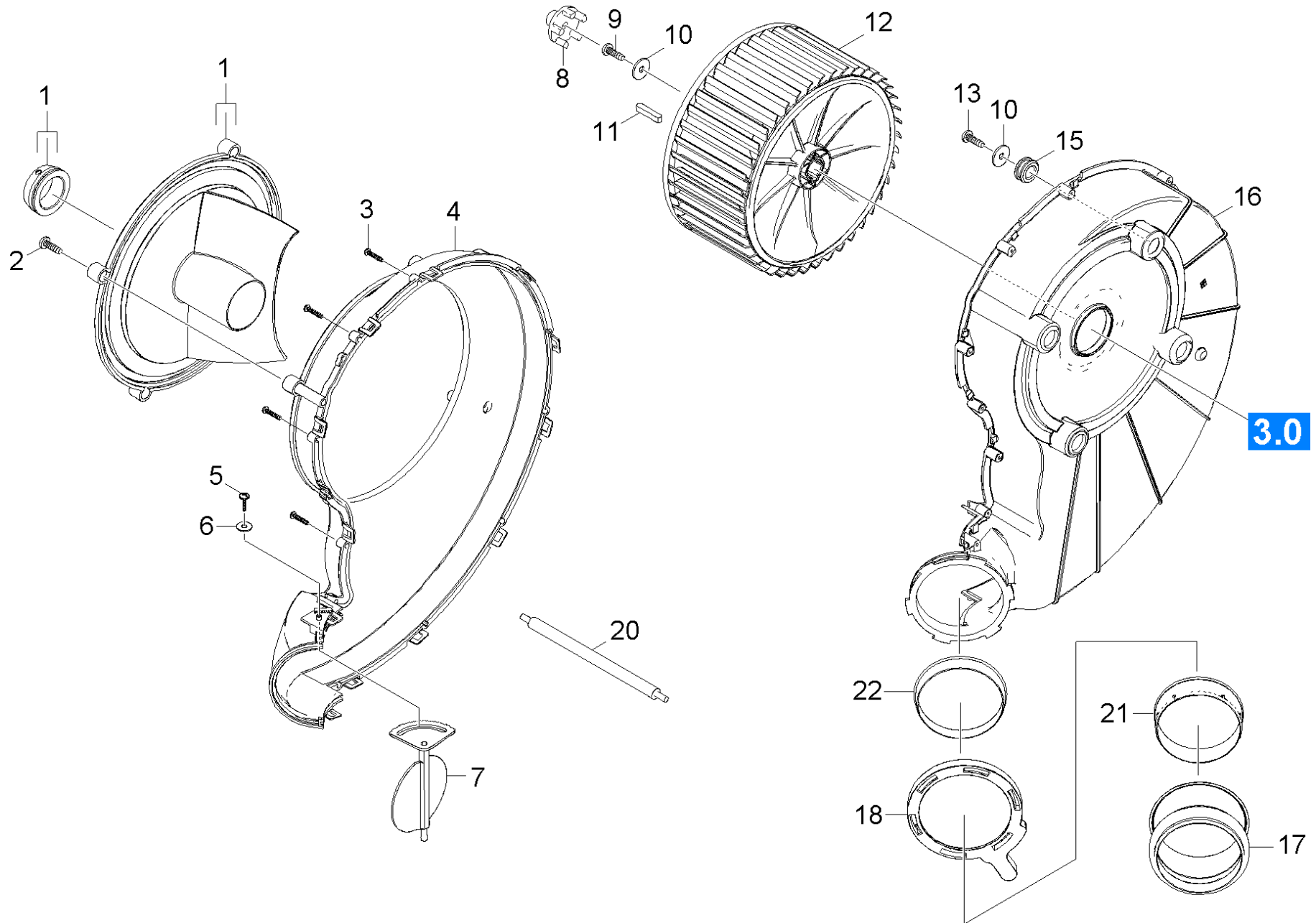
## 30 Motor

POS	Article no.	Description	Quantity	Unit	Foot note text
2	6.401-253.0	Ball bearing 6305-2Z	1.000	ST	
18	5.061-186.0	Bearing cover B	1.000	ST	
43	6.650-864.0	Cable 1x0,35 50mm	1.000	ST	
42	6.649-384.0	Cable 2x0,35 350mm	1.000	ST	
39	6.632-356.0	Contacteur LC1-D18 B7	1.000	ST	
41	5.064-226.0	Cover electric box	1.000	ST	
5	5.064-459.0	Cover grey	1.000	ST	
16	7.306-041.0	Cylinder head screw M8x20 -8.8-A2E ISO	1.000	ST	
40	2.885-054.0	Frame circuit board complete	1.000	ST	
23	7.373-022.0	Hose clip A-16-27x9 -W2-2 DIN3017	4.000	ST	
24	6.390-320.0	Hose DN 16	1.000	M	TO ORDER AS CUT GOODS
26	5.443-224.0	Hose stem	1.000	ZST	
31	5.061-319.0	Housing electric box	1.000	ST	
22	5.427-415.0	Manifold	2.000	ST	
28	5.427-432.0	Manifold	1.000	ST	
0	4.623-923.0	Motor complete only for replacement	1.000	ST	
19	5.802-288.0	Mounting part	1.000	ST	
36	5.802-261.0	Mounting part	1.000	ST	
25	5.310-061.0	Nut R 3/4"	1.000	ST	
9	6.362-028.0	O-Ring seal 11x2,2 NBR 70	1.000	ST	
27	6.362-078.0	O-Ring seal 13,3x2,4	1.000	ST	
21	6.362-579.0	O-Ring seal 17,5 X 3,5	4.000	ST	
7	6.362-722.0	O-Ring seal 28,0 X 3,0	1.000	ST	
17	7.318-035.0	Parallel key 8x7x25 -C45K DIN 6885-1	1.000	ST	
4	7.318-111.0	Parallel key A 6x6x36 -C45K DIN 6885-1	2.000	ST	
37	6.641-270.0	Plug	1.000	ST	
33	5.365-302.0	Profile gasket	1.000	ST	
11	7.367-009.0	Radial shaft seal ring A35x52x7-NBR DIN	1.000	ST	
10	5.767-005.0	Rubber buffer	4.000	ST	
38	7.303-106.0	Screw 4x12 -10.9-R2R (IN6RD)	2.000	ST	
35	7.303-086.0	Screw 5x30 -10.9-R2R (K-In6Rd)	8.000	ST	
30	7.303-086.0	Screw 5x30 -10.9-R2R (K-In6Rd)	2.000	ST	
34	6.303-153.0	Screw M5x15-ST-R2R (IN6RD)	3.000	ST	

## 30 Motor

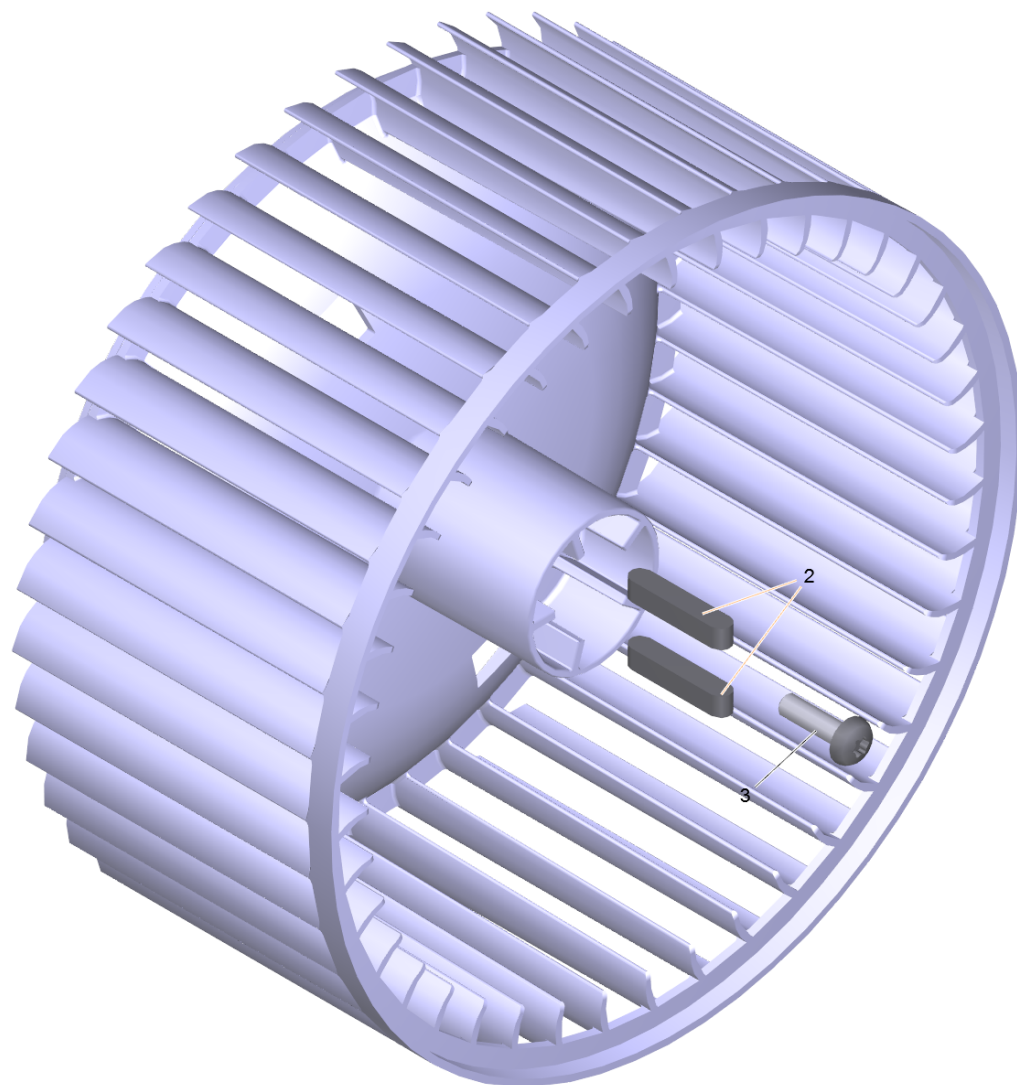
---

POS	Article no.	Description	Quantity	Unit	Foot note text
8	5.411-100.0	Screw plug	1.000	ST	
1	6.303-515.0	Self-tapping screw M6x25	4.000	ST	
20	5.110-341.0	Sleeve	2.000	ST	
29	6.414-141.0	Strainer	1.000	ST	
6	5.070-736.0	Tank oil	1.000	ST	
12	6.401-225.3	Taper roller bearing 41	1.000	ST	
32	5.263-086.0	Tensioning part	1.000	ST	
3	6.343-010.0	Tolerance ring 62x10	1.000	ST	
15	7.312-159.0	Toothed lock washer A8,4-FST-PH DIN 679	1.000	ST	
14	5.115-565.0	Washer	1.000	ST	
13	5.120-402.0	Wobble plate	1.000	ST	



## 40 Blower

POS	Article no.	Description	Quantity	Unit
7	5.606-009.0	Air flap	1.000	ST
18	5.075-036.0	Closure	1.000	ST
12	2.641-430.0	Conversion kit blower wheel	1.000	ST
8	5.471-097.0	Coupler fuel pump	1.000	ST
4	5.064-238.0	Cover blower	1.000	ST
1	5.064-266.0	Cover blower internal part	1.000	ST
20	5.043-056.0	Holder	1.000	ST
16	5.605-307.0	Housing	1.000	ST
11	7.318-032.0	Parallel key 6x6x32-C45K DIN 6885	2.000	ST
15	5.379-019.0	Rubber ring	4.000	ST
2	7.303-129.0	Screw 4x16 -10.9-R2R (K-In6Rd)	4.000	ST
3	7.303-084.0	Screw 4x25 -10.9-R2R (K-In6Rd)	14.000	ST
5	7.303-107.0	Screw 5x16 -10.9-P2R (K-In6Rd)	1.000	ST
13	7.303-048.0	Screw M6x20 -St-R3R (In6Rd)	4.000	ST
9	6.304-145.0	Screw M 6X20-R3R (IN6RD)	1.000	ST
17	5.195-252.0	Seal air circulation	1.000	ST
21	5.263-094.0	Tensioning part air circulation	1.000	ST
22	5.263-096.0	Tensioning part air circulation	1.000	ST
6	7.312-278.0	Washer 5-200HV-A2E ISO7093-1	1.000	ST
10	7.312-260.0	Washer 6 -100HV-A3E ISO 7094	5.000	ST

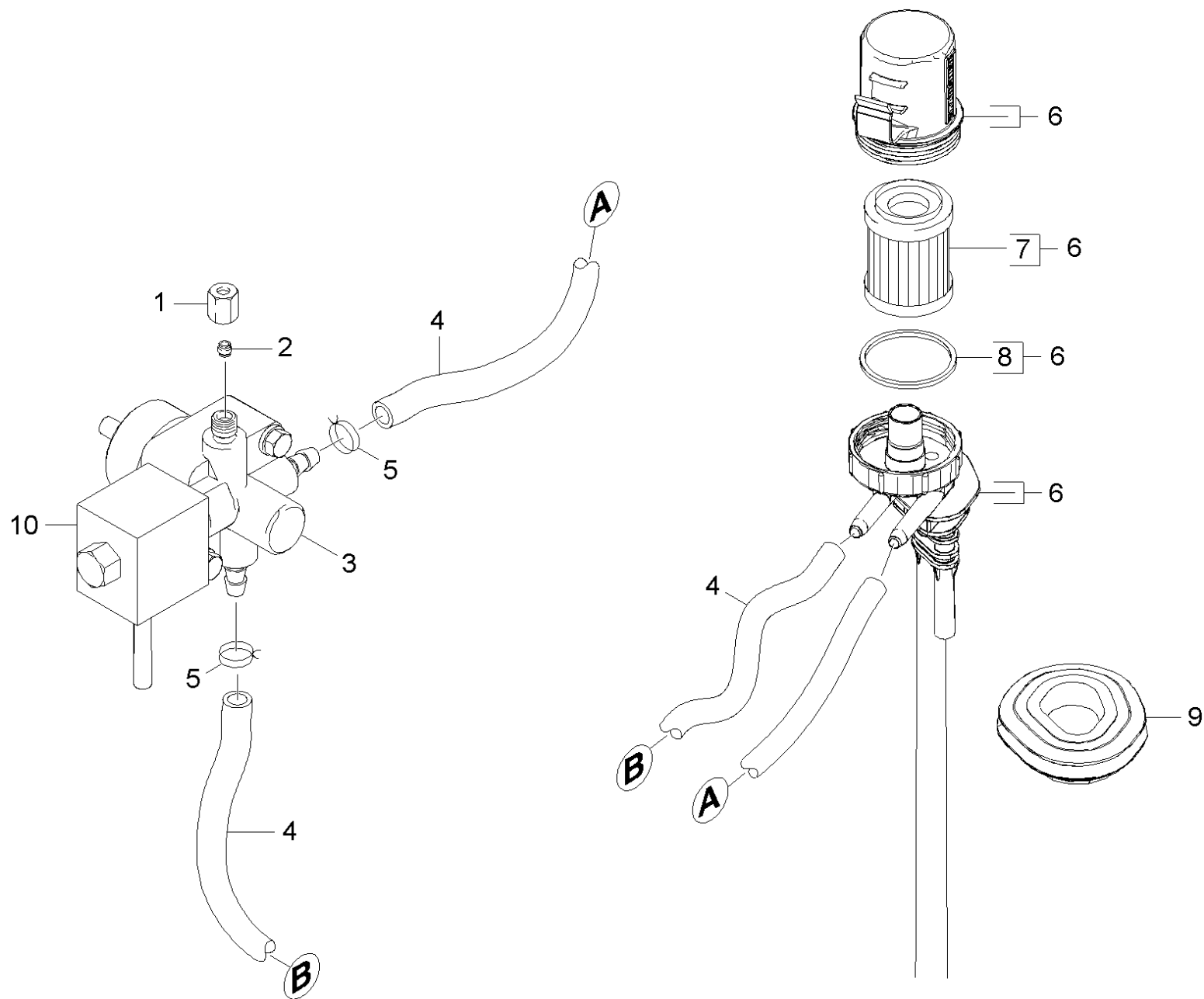




## 12 Conversion kit blower wheel (2.641-430.0)

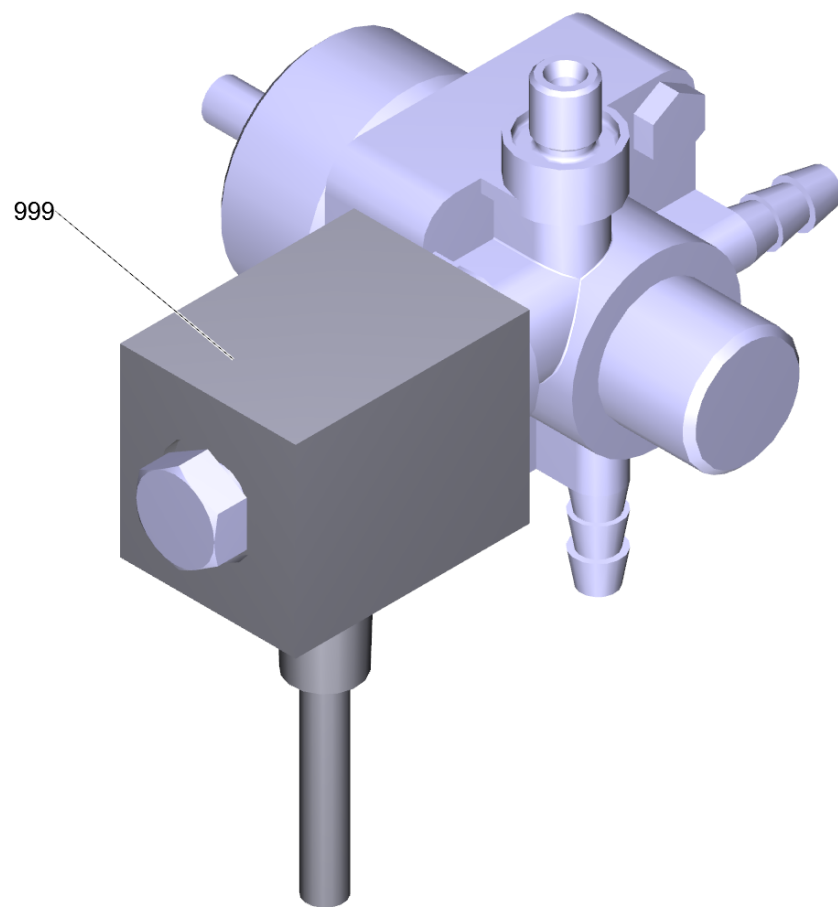
---

<b>POS</b>	<b>Article no.</b>	<b>Description</b>	<b>Quantity</b>	<b>Unit</b>
2	7.318-111.0	Parallel key A 6x6x36 -C45K DIN 6885-1	2.000	ST
3	6.304-145.0	Screw M 6X20-R3R (IN6RD)	1.000	ST



## 50 Fuel pump and filter

POS	Article no.	Description	Quantity	Unit	Foot note text
10	6.473-554.0	Coil Brennstoffpumpe	1.000	ST	
2	6.389-263.0	Cutting ring d.4	1.000	ST	
6	4.730-167.3	Filter complete	1.000	ST	
7	6.414-559.0	Filter fuel	1.000	ST	
3	4.473-032.0	Fuel pump only for replacement	1.000	ST	
4	6.391-820.0	Hose	1.000	M	TO ORDER AS CUT GOODS
5	6.388-559.0	Hose clip	2.000	ST	
9	5.365-290.0	Rubber bushing fuel	1.000	ST	
8	5.363-629.0	Seal	1.000	ST	
1	6.389-262.0	Union nut A 4-LL	1.000	ST	



3 Fuel pump only for replacement (4.473-032.0)

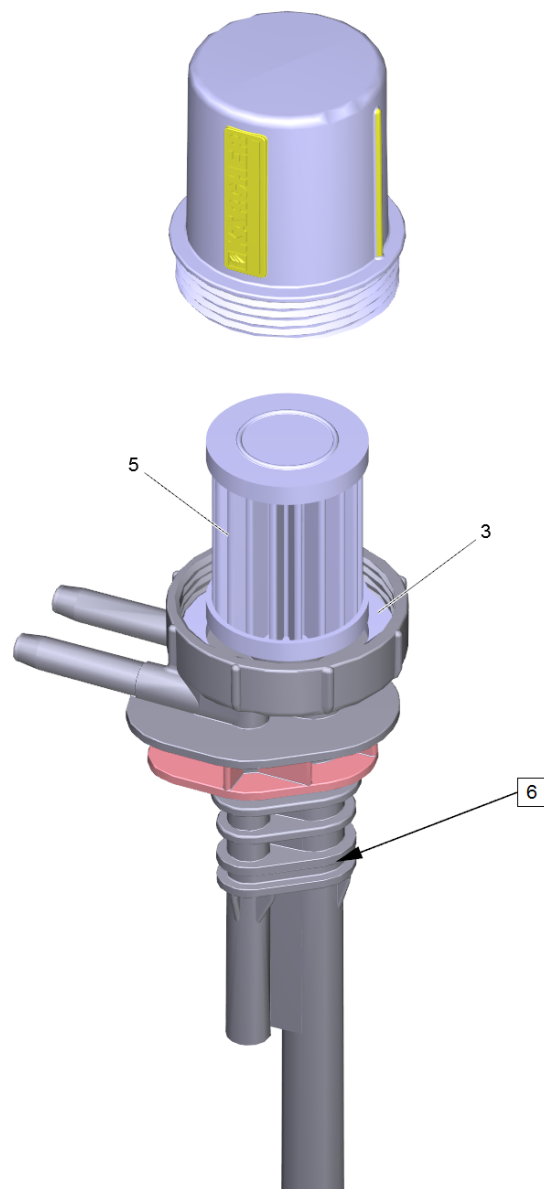
---

<b>POS</b>	<b>Article no.</b>	<b>Description</b>	<b>Quantity</b>	<b>Unit</b>
999	6.473-554.0	Coil Brennstoffpumpe	1.000	ST

6 Filter complete (4.730-167.3)

---

<b>POS</b>	<b>Article no.</b>	<b>Description</b>	<b>Quantity</b>	<b>Unit</b>
1	4.730-167.0	Filter complete	1.000	ST

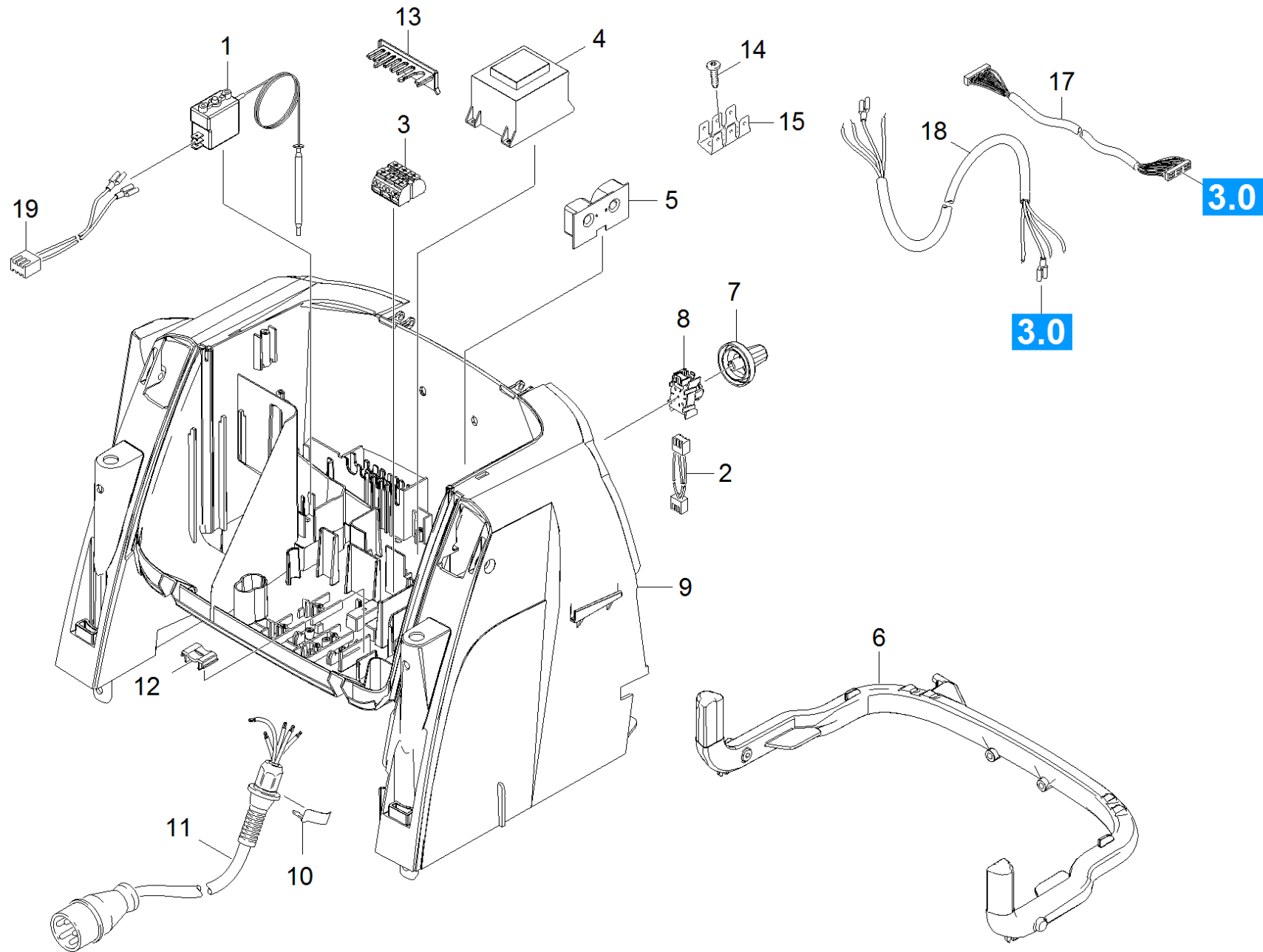


## 1 Filter complete (4.730-167.0)

---

<b>POS</b>	<b>Article no.</b>	<b>Description</b>	<b>Quantity</b>	<b>Unit</b>
5	6.414-559.0	Filter fuel	1.000	ST
6	6.362-079.0	O-Ring seal 18,0 X 2,5	1.000	ST
3	5.363-629.0	Seal	1.000	ST





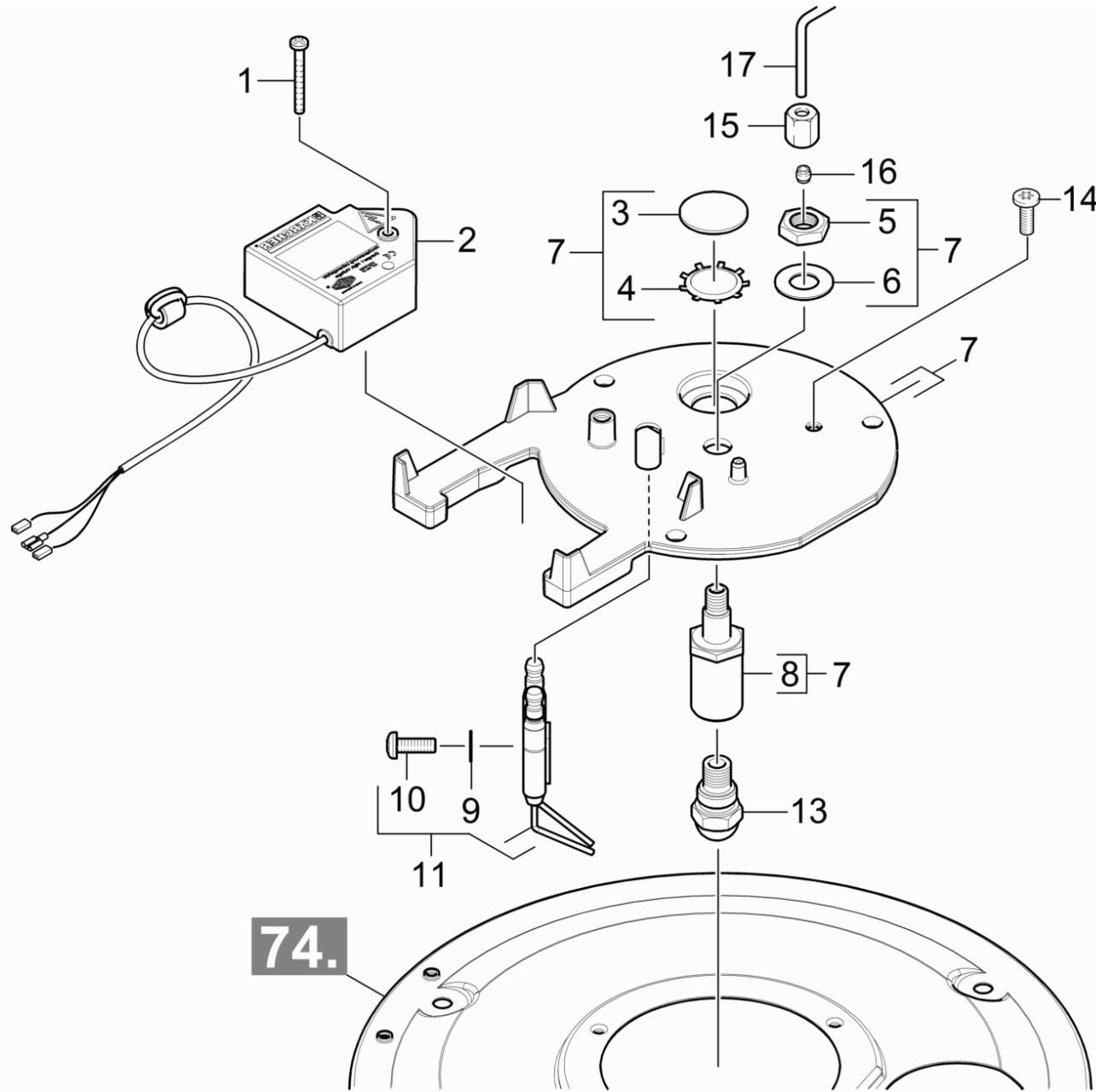
## 60 Electric control box

POS	Article no.	Description	Quantity	Unit
2	5.820-088.0	Cable	1.000	ST
19	6.649-383.0	Cable 2x0,35 700mm	1.000	ST
18	6.649-340.0	Cable 4x1,5	1.000	ST
11	6.649-379.3	Cable with plug 4x1,5mm <sup>2</sup>	1.000	ST
5	6.682-881.0	Circuit board current transformer	1.000	ST
17	2.885-110.0	Control cable complete only for replacem	1.000	ST
4	6.622-283.3	Control transformer	1.000	ST
7	5.324-172.0	Handle qusty grey RAL 7037	1.000	ST
12	5.802-307.0	Holder cable	1.000	ST
10	6.343-186.0	Locking ring	1.000	ST
9	5.801-153.0	Mounting plate	1.000	ST
15	6.641-270.0	Plug	1.000	ST
6	5.033-111.0	Profile	1.000	ST
14	7.303-106.0	Screw 4x12 -10.9-R2R (IN6RD)	1.000	ST
8	6.630-423.0	Switch service	1.000	ST
13	5.263-086.0	Tensioning part	1.000	ST
3	6.644-364.0	Terminal clamp four-core triple-pole	1.000	ST
1	4.686-029.0	Thermostat only for replacement	1.000	ST

## 70 Flow heater

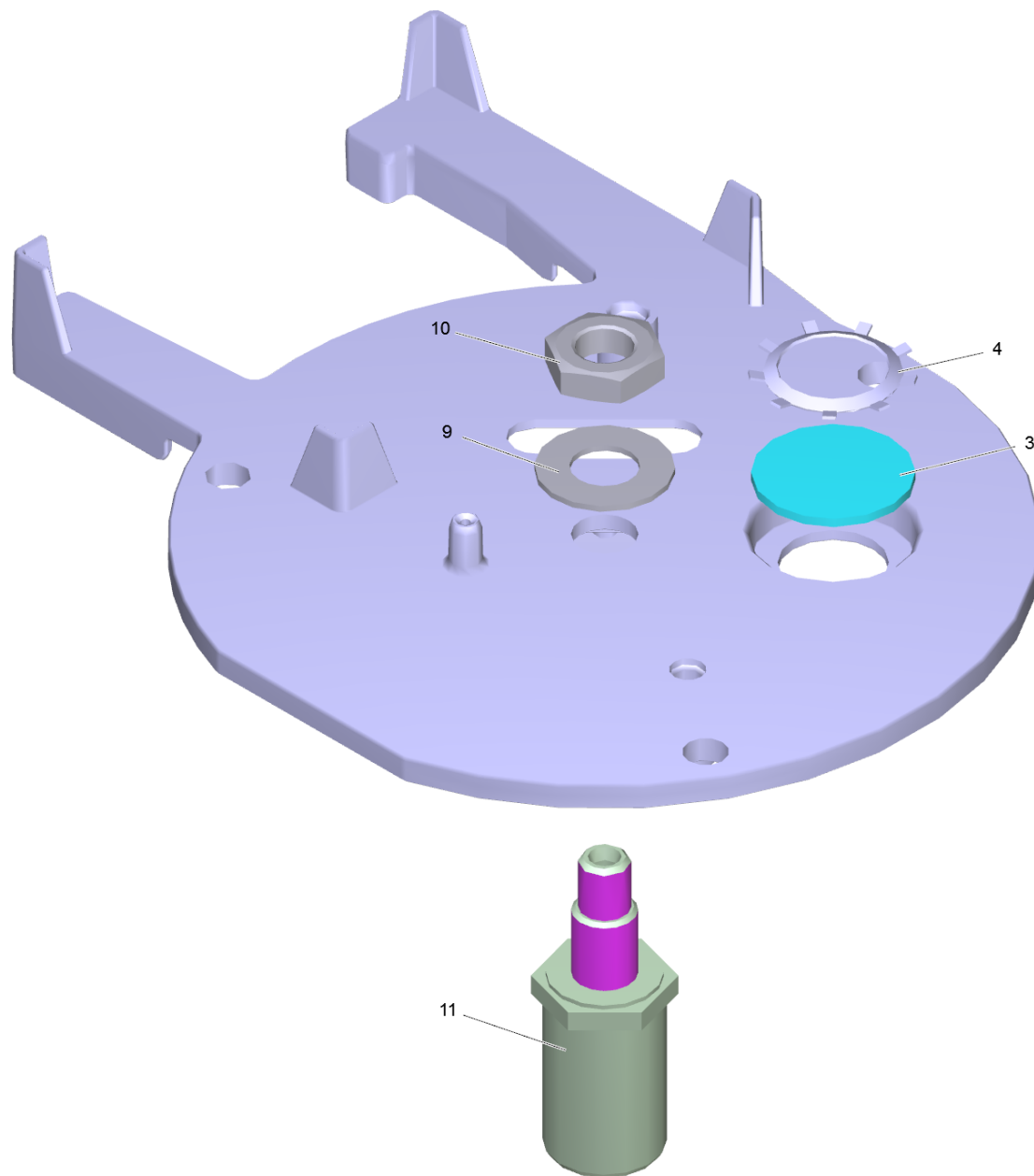
---

<b>POS</b>	<b>Description</b>	<b>Quantity</b>	<b>Unit</b>
75	Burner bottom	1.000	ST
72	Burner cover	1.000	ST
74	Heating coil	1.000	ST



## 72 Burner cover

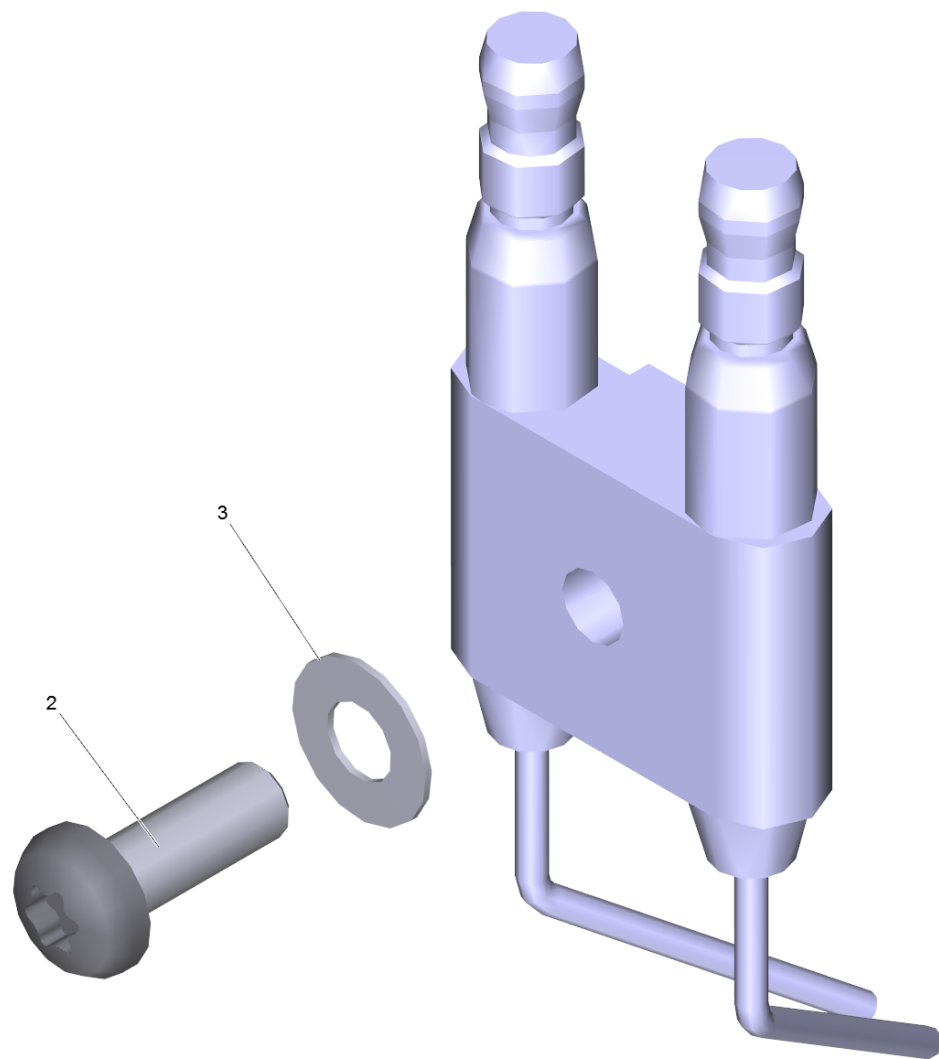
POS	Article no.	Description	Quantity	Unit	Foot note text
17	5.423-008.0	Conduit fuel	1.000	ST	VERSION 2
11	2.638-974.0	Conversion kit ignition electrode	1.000	ST	
7	4.654-288.0	Cover pressure boiler only for replaceme	1.000	ST	
16	6.389-263.0	Cutting ring d.4	1.000	ST	
3	6.278-018.0	Glass pane	1.000	ST	
5	7.311-101.0	Hexagon nut M10x1 -04-A2E ISO 8675	1.000	ST	
2	4.622-038.0	Ignition transformer only for replacemen	1.000	ST	
13	6.415-641.0	Nozzle	1.000	ST	
8	5.667-055.0	Nozzle holder	1.000	ST	
14	7.303-038.0	Screw M5x12 -St-P2R (In6Rd)	3.000	ST	
10	7.306-217.0	Screw M5x14 -8.8-R2R (In6Rd)	1.000	ST	
1	7.303-240.0	Screw M5x40-ST-A2E (IN6RD)	1.000	ST	
4	6.343-165.0	Serrated ring	1.000	ST	
9	7.312-304.0	Spring washer B 5-FST-A2E DIN 137	1.000	ST	
6	7.312-302.0	Spring washer B10-FST-A2E DIN 137	1.000	ST	
15	6.389-262.0	Union nut A 4-LL	1.000	ST	



7 Cover pressure boiler only for replaceme (4.654-288.0)

---

<b>POS</b>	<b>Article no.</b>	<b>Description</b>	<b>Quantity</b>	<b>Unit</b>
3	6.278-018.0	Glass pane	1.000	ST
10	7.311-101.0	Hexagon nut M10x1 -04-A2E ISO 8675	1.000	ST
11	5.667-055.0	Nozzle holder	1.000	ST
4	6.343-165.0	Serrated ring	1.000	ST
9	7.312-302.0	Spring washer B10-FST-A2E DIN 137	1.000	ST

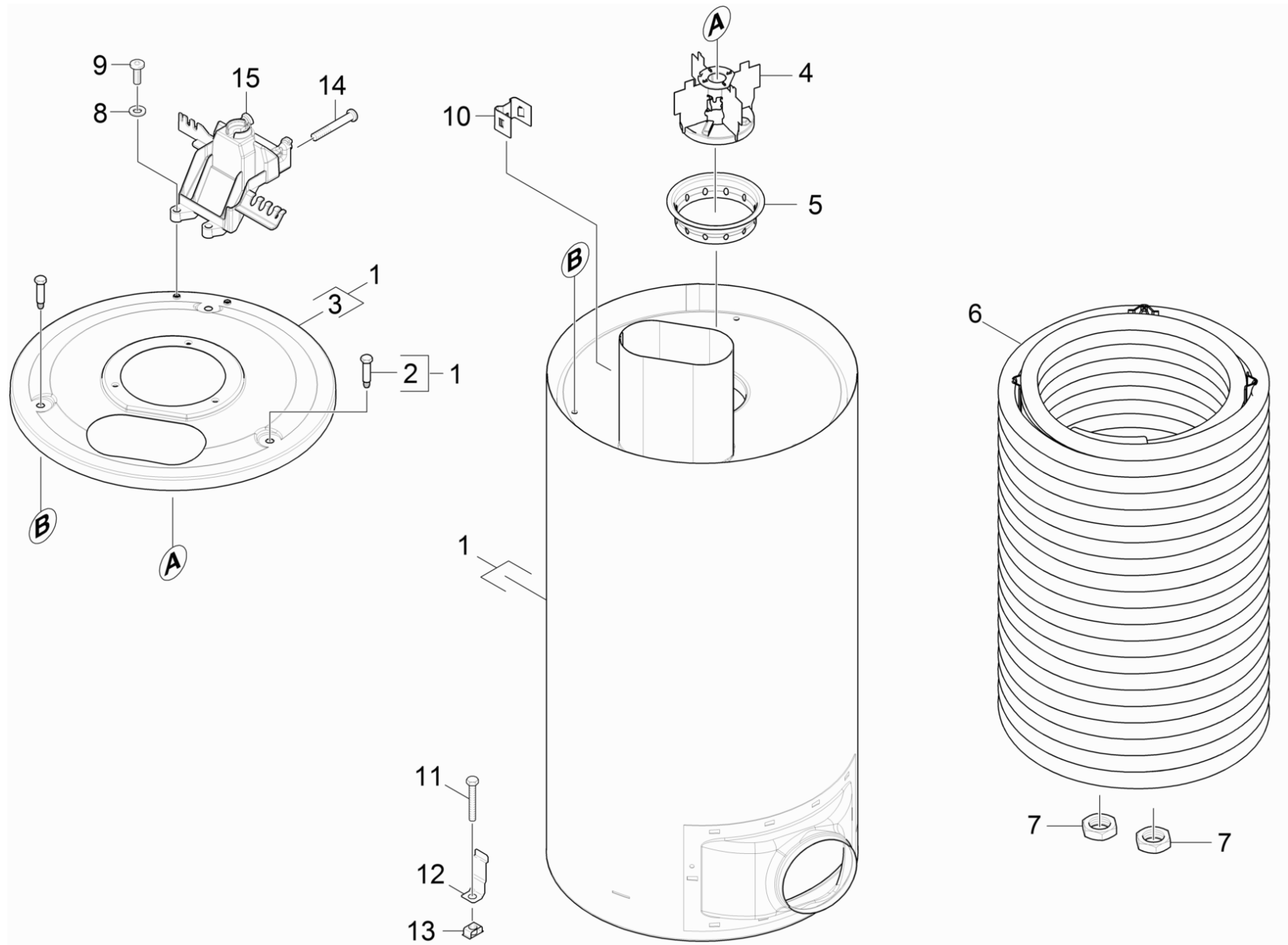




## 11 Conversion kit ignition electrode (2.638-974.0)

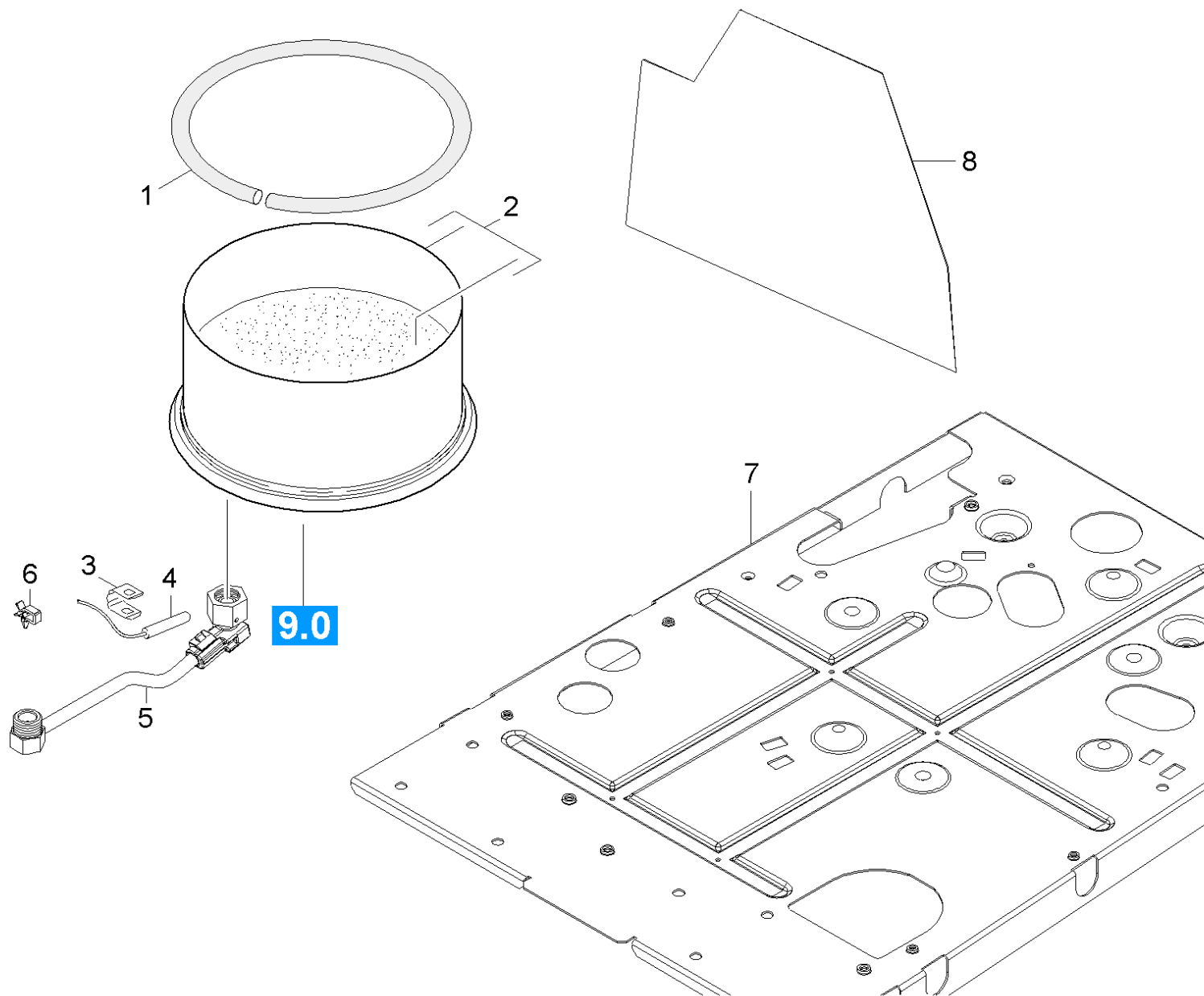
---

<b>POS</b>	<b>Article no.</b>	<b>Description</b>	<b>Quantity</b>	<b>Unit</b>
2	7.306-217.0	Screw M5x14 -8.8-R2R (In6Rd)	1.000	ST
3	7.312-304.0	Spring washer B 5-FST-A2E DIN 137	1.000	ST



## 74 Heating coil

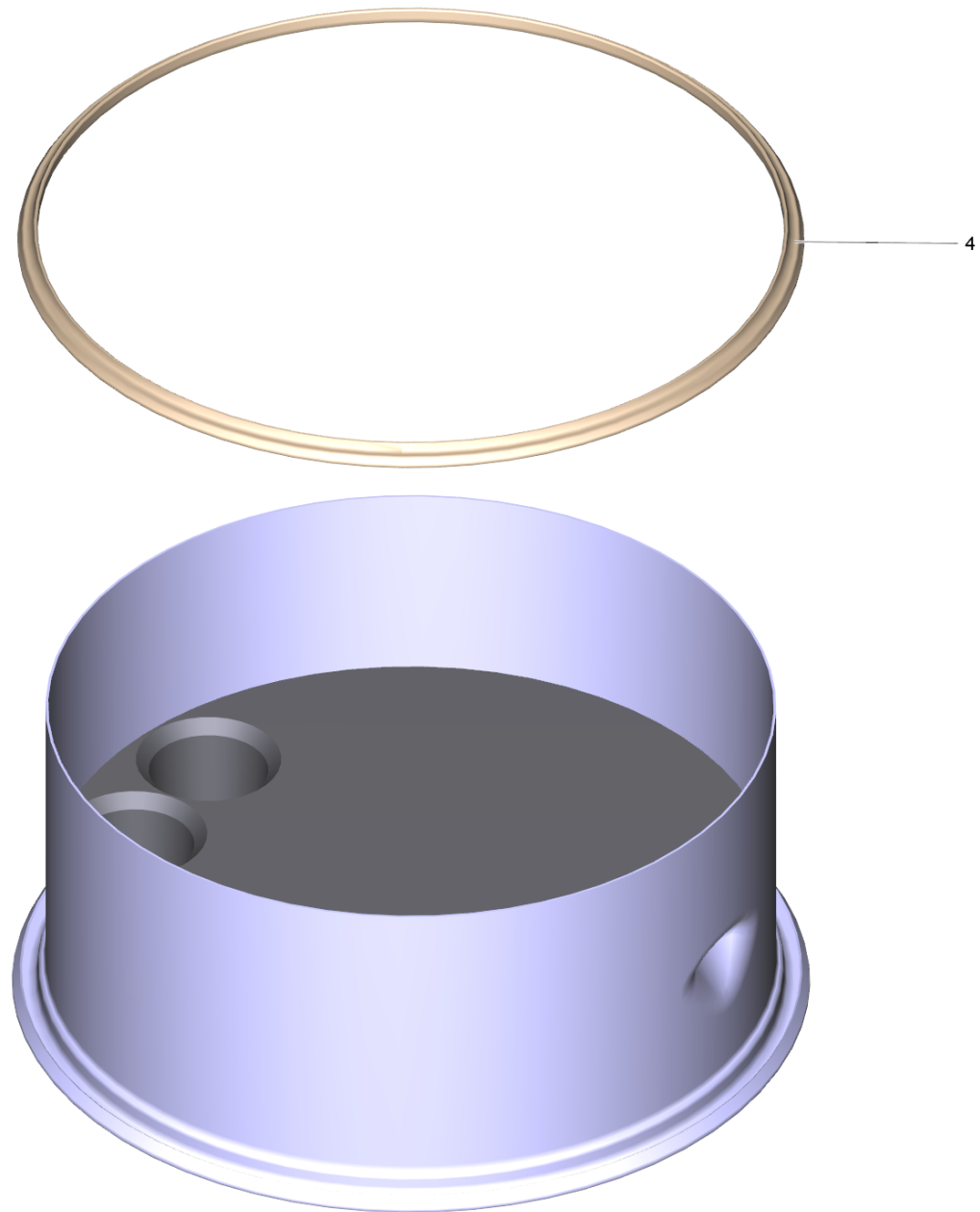
POS	Article no.	Description	Quantity	Unit	Foot note text
4	4.663-073.0	Baffle plate complete	1.000	ST	
13	6.310-081.0	Cage nut M 8	3.000	ST	
3	5.654-051.0	Cover pressure boiler	1.000	ST	
5	5.664-256.0	Flame tube	1.000	ST	
6	4.680-135.0	Heating coil	1.000	ST	
6	4.680-114.0	Heating coil VA	1.000	ST	STAINLESS STEEL CONSTRUCTION
11	7.304-051.0	Hexagonal head screw M 8x16-8.8-P2R EN	3.000	ST	
7	7.311-112.0	Hexagon nut M22X1,5 -22H-A2E DIN 936	2.000	ST	
12	5.044-420.0	Holder	3.000	ST	
15	5.412-001.0	Holder Kessel ovale Heizschlange	1.000	ST	VERSION 2
10	5.034-834.0	Holder probe	1.000	ST	
14	7.303-111.0	Screw 5x50 -10.9-R2R (K-In6Rd)	2.000	ST	
9	6.303-320.0	Screw M 5x 20-St-R2R	2.000	ST	
2	6.303-258.0	Self-tapping screw	3.000	ST	
1	4.652-004.0	Vessel mantel complete	1.000	ST	VERSION 2
8	7.312-278.0	Washer 5-200HV-A2E ISO7093-1	2.000	ST	



## 75 Burner bottom

---

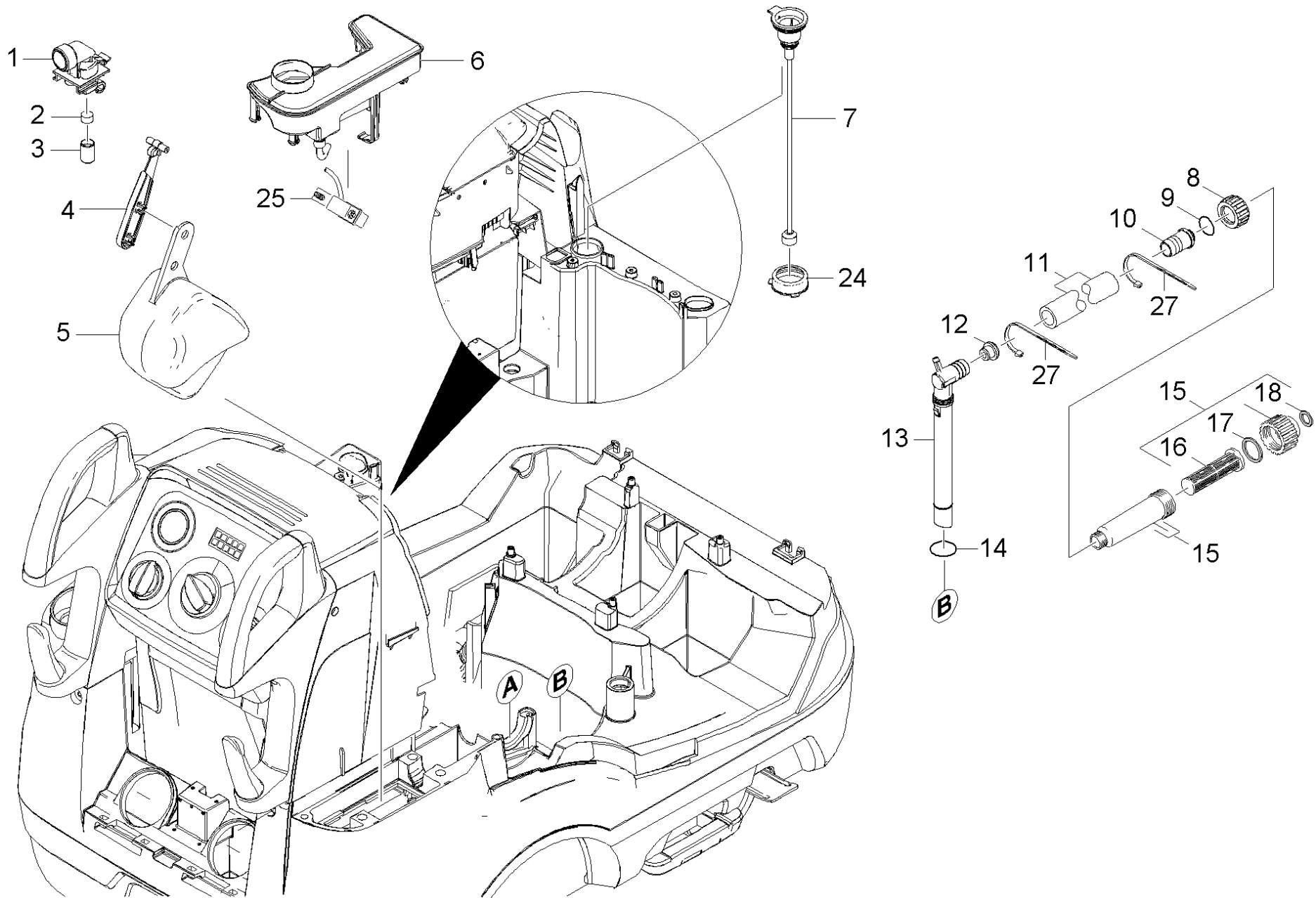
<b>POS</b>	<b>Article no.</b>	<b>Description</b>	<b>Quantity</b>	<b>Unit</b>
7	5.051-114.0	Base plate boiler	1.000	ST
2	4.655-044.0	Bottom pressure boiler	1.000	ST
6	6.970-929.0	Clip	1.000	ST
8	5.424-142.0	Foil shield	1.000	ST
5	4.422-118.0	Pipelines	1.000	ST
1	6.366-009.0	Seal string	1.000	ST
3	5.263-064.0	Tensioning part	1.000	ST
4	4.686-031.0	Thermostat only for replacement	1.000	ST



2 Bottom pressure boiler (4.655-044.0)

---

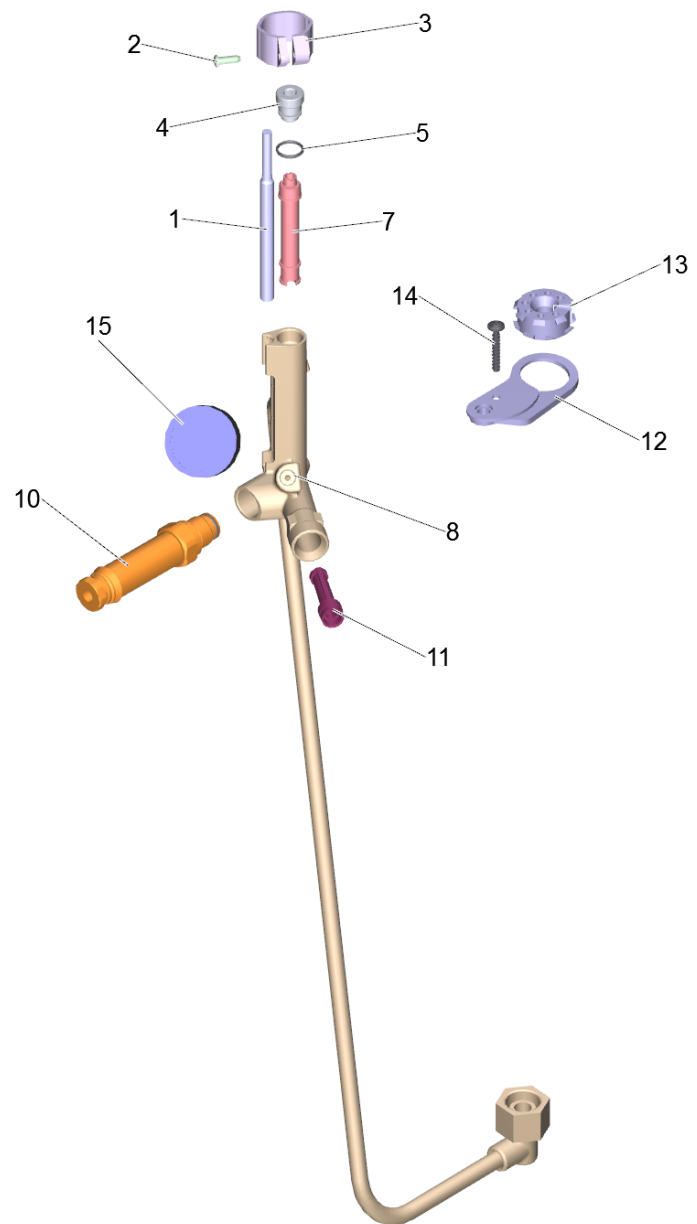
<b>POS</b>	<b>Article no.</b>	<b>Description</b>	<b>Quantity</b>	<b>Unit</b>
6	6.869-024.0	Quick-bonding agent	0.004	ZST
4	6.366-009.0	Seal string	1.000	ST





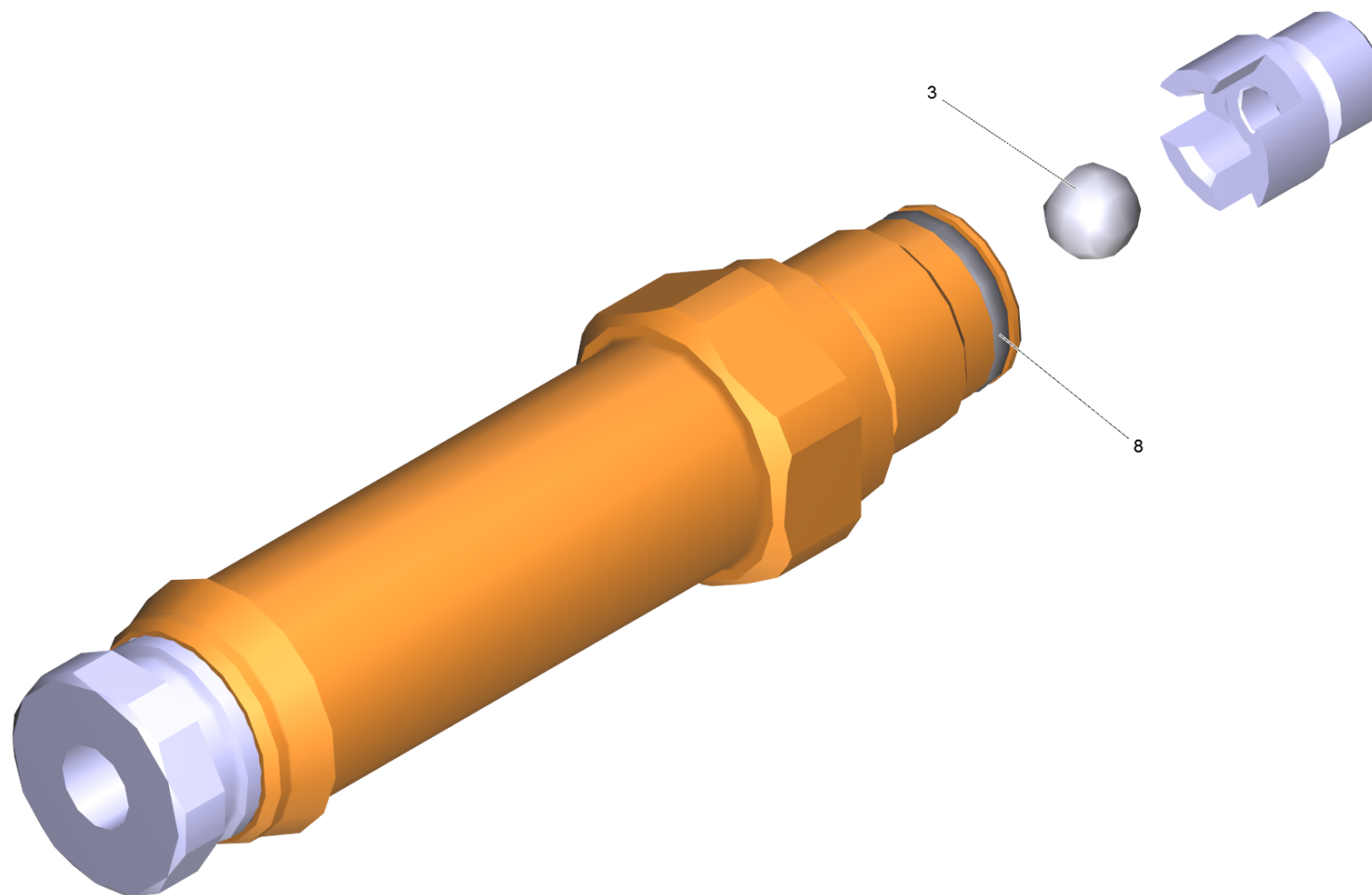
## 80 Float valve

POS	Article no.	Description	Quantity	Unit
12	5.112-193.0	Bush	1.000	ST
27	6.641-474.0	Cable tape 8-210	2.000	ST
13	5.443-553.0	Connection piece	1.000	ST
2	5.364-095.0	Flat gasket	1.000	ST
5	5.585-030.0	Float	1.000	ST
19	7.373-022.0	Hose clip A-16-27x9 -W2-2 DIN3017	2.000	ST
10	5.443-211.0	Hose stem	1.000	ST
7	4.747-097.0	Level probe -nur für Ersatz-	1.000	ST
4	5.481-256.0	Lever	1.000	ST
8	5.310-167.0	Nut G 3/4"	1.000	ST
9	6.362-078.0	O-Ring seal 13,3x2,4	1.000	ST
14	6.362-161.0	O-Ring seal 19,3 X 2,4	1.000	ST
11	6.392-258.0	Piece of tube 19x4x280	1.000	ST
24	5.365-289.0	Rubber bushing transmitter feeder	1.000	ST
17	5.363-336.0	Seal	1.000	ST
18	5.363-545.0	Seal	1.000	ST
25	4.686-030.0	Solenoid valve only for replacement	1.000	ST
6	4.070-658.3	Tank complete	1.000	ST
1	5.587-214.0	Valve housing	1.000	ST
3	5.584-085.0	Valve pin	1.000	ST
16	5.731-587.0	Water filter	1.000	ST
15	4.730-168.3	Water filter complete	1.000	ST



## 90 Safety system

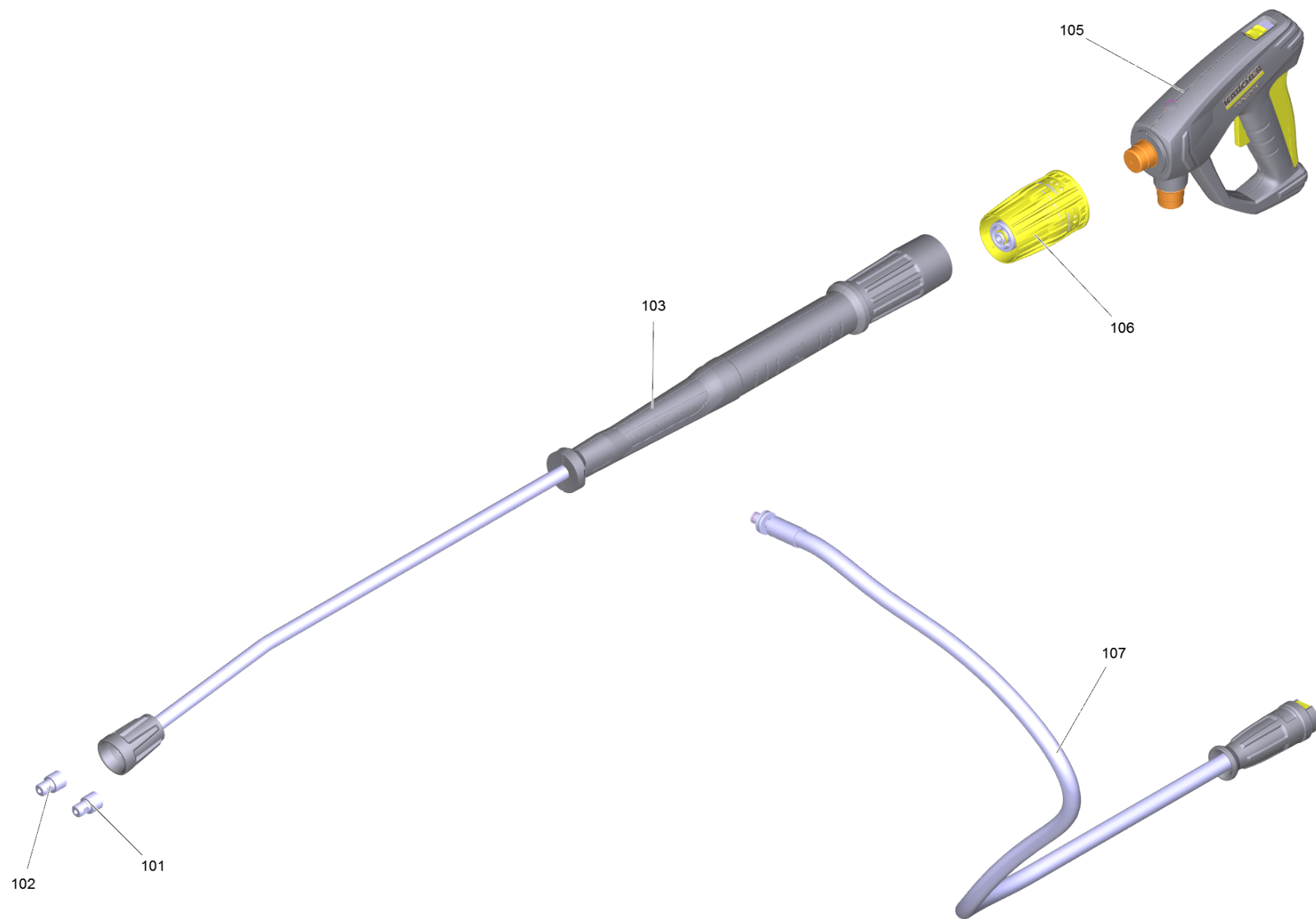
POS	Article no.	Description	Quantity	Unit
7	4.551-058.0	Cartridge protection against water short	1.000	ST
3	5.041-076.0	Clamp	1.000	ST
12	5.378-150.0	Holder pipe	1.000	ST
2	6.303-122.0	M4 .2X13 DIN 7981 TORX T15 PAN HD HI/LO	1.000	ST
8	4.427-040.0	Manifold complete screw plug	1.000	ST
5	6.362-482.0	O-Ring seal 10 x 1,5-NBR 70	1.000	ST
9	6.362-845.0	O-Ring seal 10,82x 1,78	1.000	ST
15	4.422-991.0	Pressure gauge complete only for replace	1.000	ST
1	2.885-051.0	Reed switch replacement	1.000	ST
13	5.767-023.0	Rubber buffer	1.000	ST
10	4.580-709.0	Safety valve complete replacement	1.000	ST
14	7.303-108.0	Screw 5x20 -10.9-R2R (In6Rd)	1.000	ST
4	5.305-162.0	Shaped screw	1.000	ST
16	6.401-429.0	Sphere polyamide 8mm	1.000	ST
11	6.414-566.0	Strainer WMS	1.000	ST



## 10 Safety valve complete replacement (4.580-709.0)

---

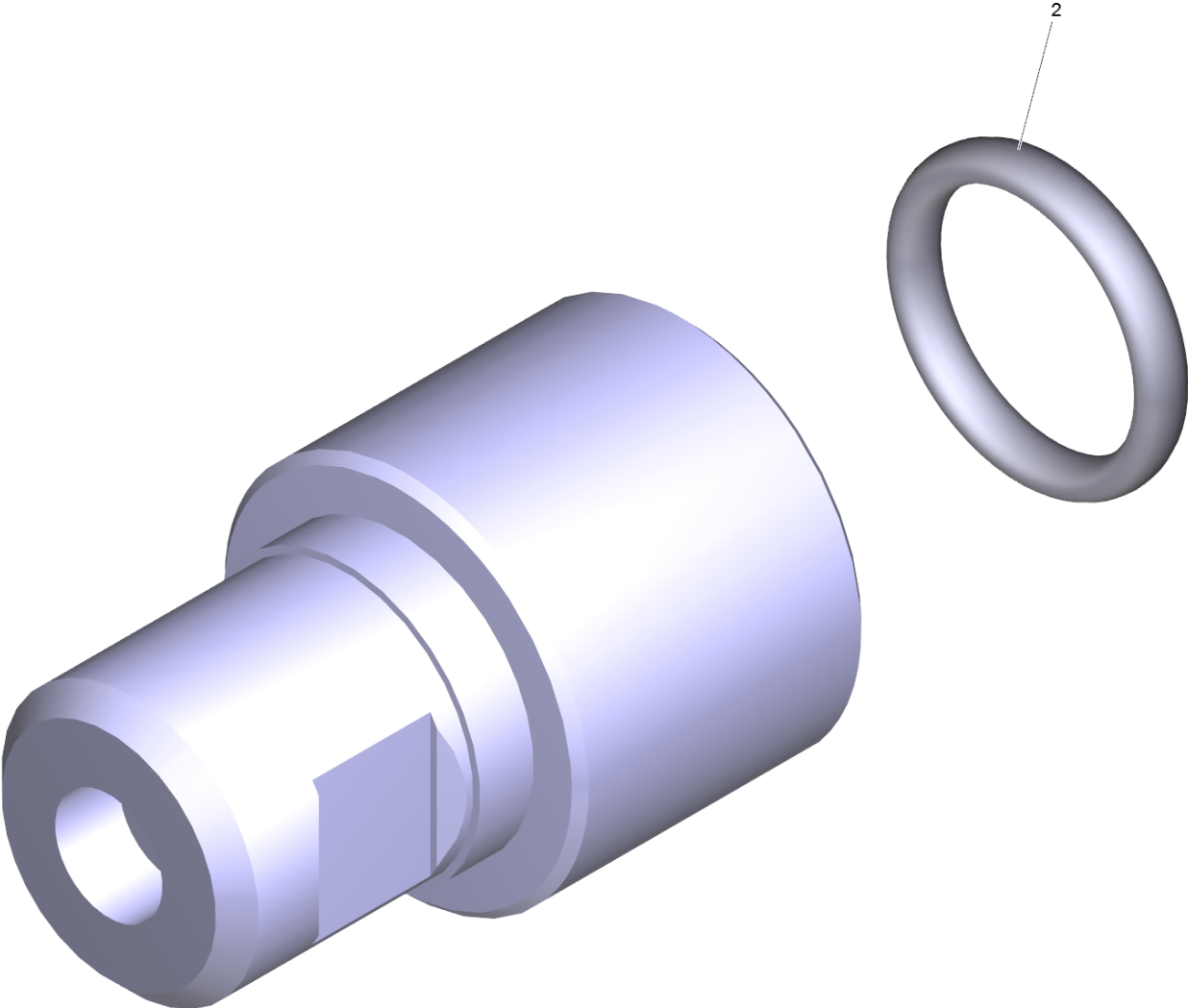
<b>POS</b>	<b>Article no.</b>	<b>Description</b>	<b>Quantity</b>	<b>Unit</b>
8	6.362-845.0	O-Ring seal 10,82x 1,78	1.000	ST
3	6.401-429.0	Sphere polyamide 8mm	1.000	ST



## 100 Accessories

---

<b>POS</b>	<b>Article no.</b>	<b>Description</b>	<b>Quantity</b>	<b>Unit</b>
105	4.118-005.0	EASY!Force Advanced	1.000	ST
107	6.110-028.0	Hose assembly TR rotatable DN8 40MPa 20m	1.000	ST
103	4.112-000.0	Jet pipe TR 1050 mm	1.000	ST
101	2.113-011.0	Power nozzle TR 25054	1.000	ST
106	4.118-008.0	Rotary controller TR 416L	1.000	ST
102	2.114-006.0	Steam nozzle TR 40070	1.000	ST

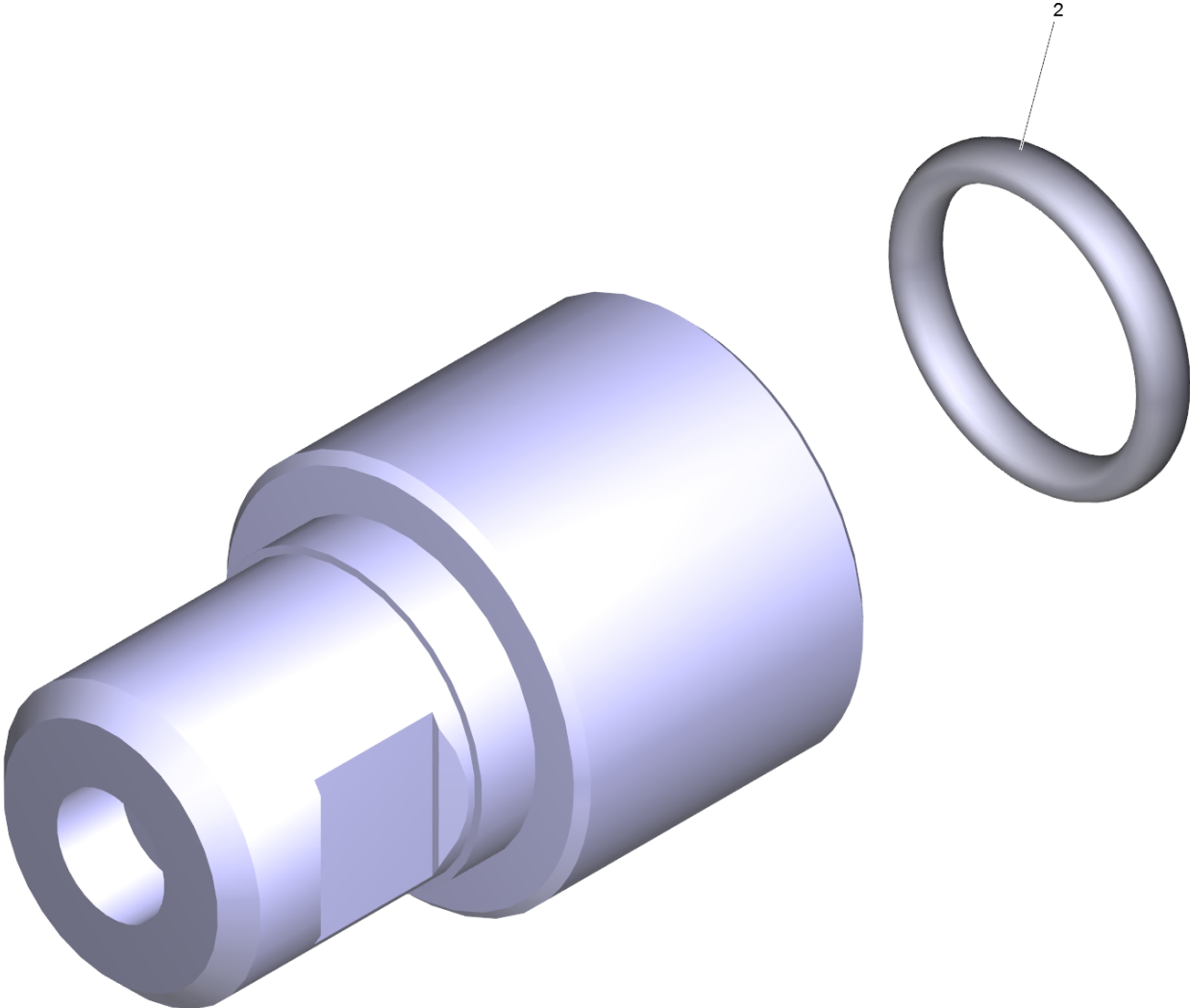




101 Power nozzle TR 25054 (2.113-011.0)

---

<b>POS</b>	<b>Article no.</b>	<b>Description</b>	<b>Quantity</b>	<b>Unit</b>
2	2.880-001.0	Spare part set seals TR	1.000	ST



102 Steam nozzle TR 40070 (2.114-006.0)

---

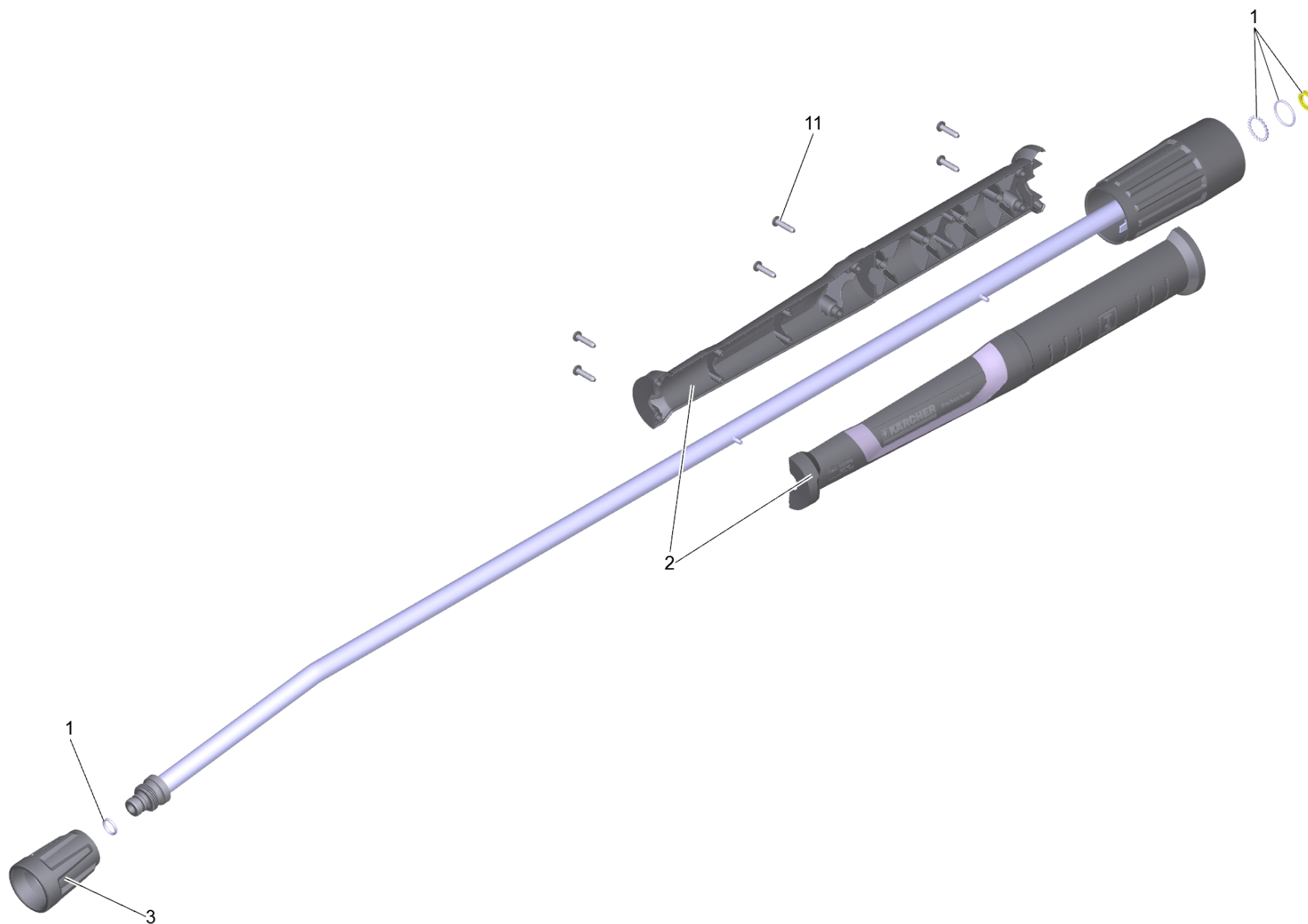
POS	Article no.	Description	Quantity	Unit
2	2.880-001.0	Spare part set seals TR	1.000	ST

103 Jet pipe TR 1050 mm (4.112-000.0)

---

<b>POS</b>	<b>Description</b>	<b>Quantity</b>	<b>Unit</b>
1	Jet pipe TR 1050 mm	1.000	ST

---



## 1 Jet pipe TR 1050 mm

---

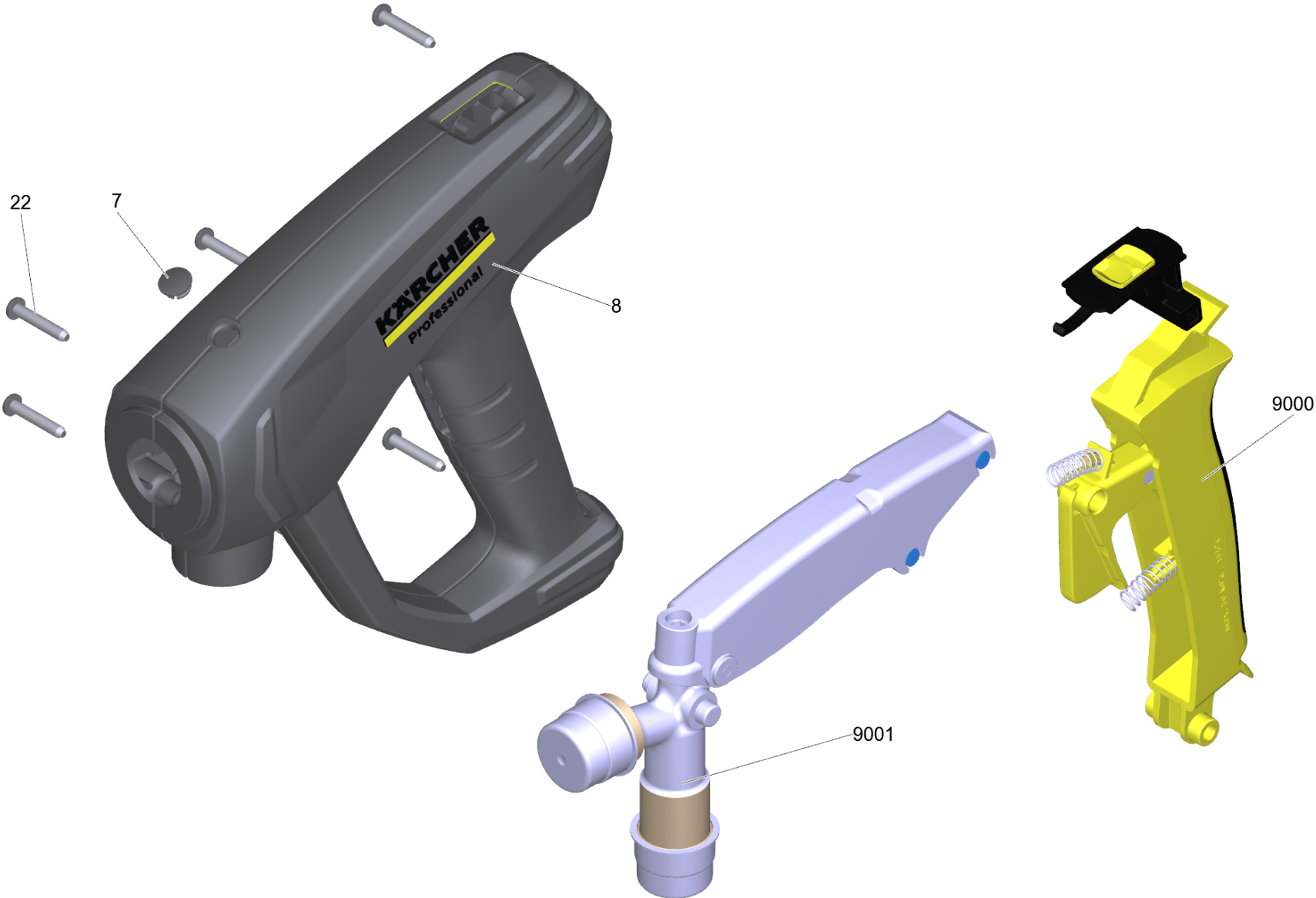
<b>POS</b>	<b>Article no.</b>	<b>Description</b>	<b>Quantity</b>	<b>Unit</b>
2	5.321-018.3	Handle bowl jet pipe only for replacemen	1.000	ST
3	4.112-011.0	Protection part TR only for replacement	1.000	ST
11	7.303-129.0	Screw 4x16 -10.9-R2R (K-In6Rd)	6.000	ST
1	4.100-688.0	Spare part set seal TR	1.000	ST

105 EASY!Force Advanced (4.118-005.0)

---

POS	Description	Quantity	Unit
1	Hand trigger gun TR EH 155	1.000	ST

---

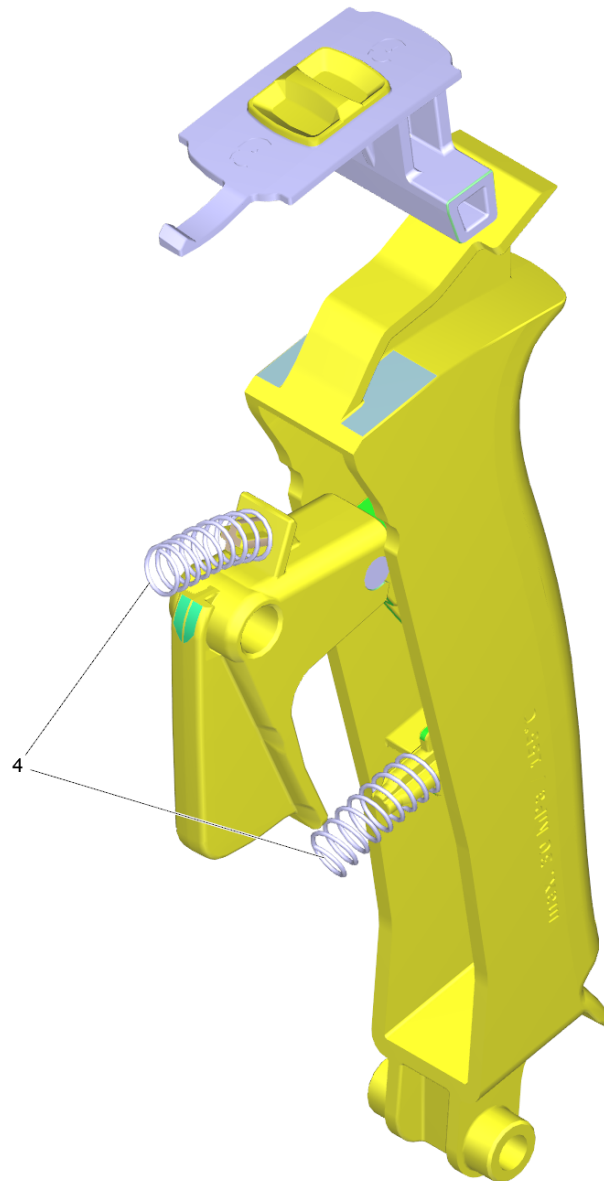




## 1 Hand trigger gun TR EH 155

---

<b>POS</b>	<b>Article no.</b>	<b>Description</b>	<b>Quantity</b>	<b>Unit</b>
8	5.321-136.3	Handhold few EH 155 only for replacement	1.000	ST
9001	4.427-014.0	Manifold TR EH 155 nur fuer Ersatz	1.000	ST
7	5.132-001.0	Plug	1.000	ST
22	7.303-096.0	Screw 4x22 -ST-10.9-R2R (IN6RD)	7.000	ST
9000	2.885-483.0	Spare part set lever	1.000	ST



9000 Spare part set lever (2.885-483.0)

---

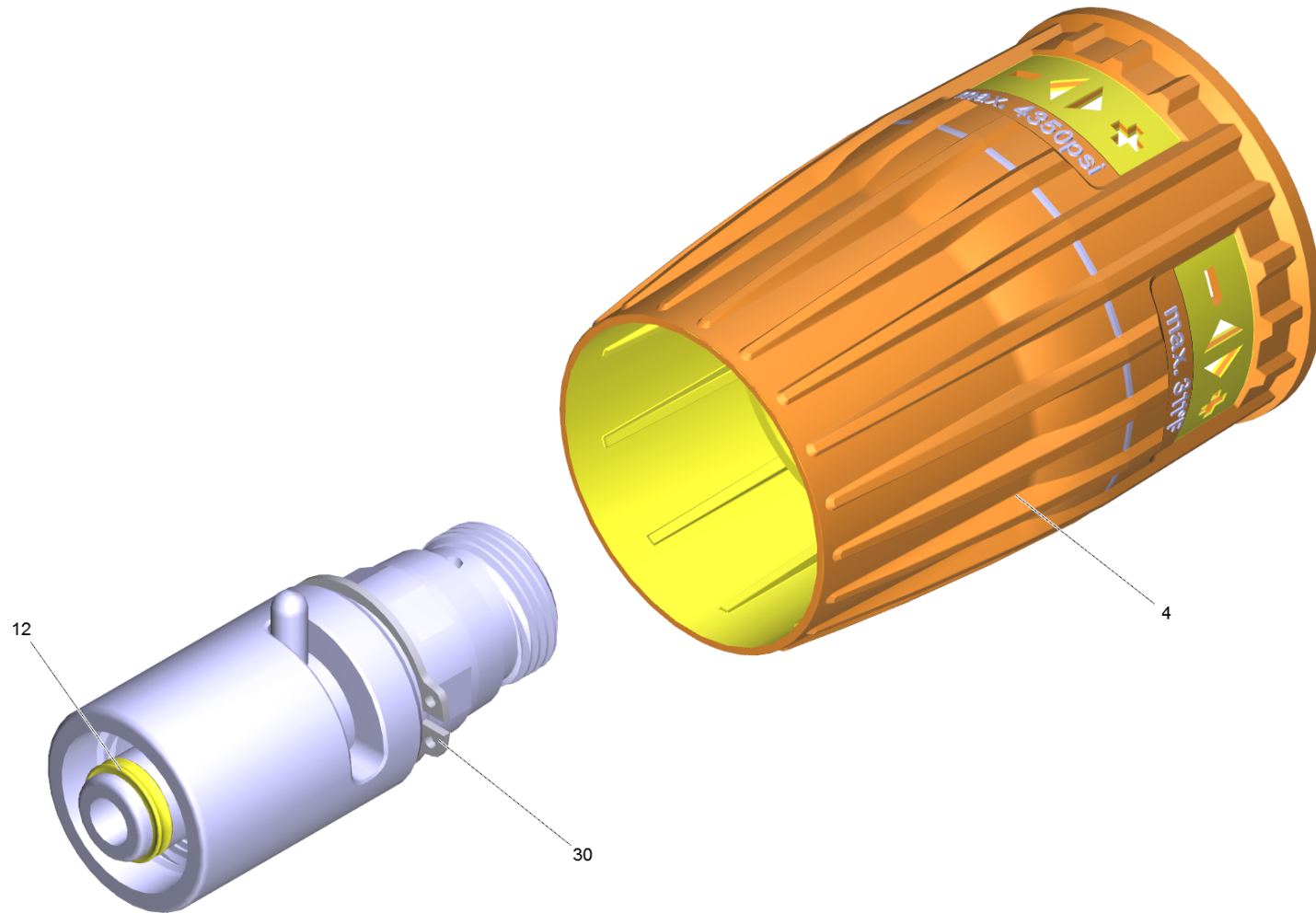
<b>POS</b>	<b>Article no.</b>	<b>Description</b>	<b>Quantity</b>	<b>Unit</b>
4	5.332-032.0	Helical spring	2.000	ST

106 Rotary controller TR 416L (4.118-008.0)

---

POS	Description	Quantity	Unit
1	Rotary controller TR 416L	1.000	ST

---



## 1 Rotary controller TR 416L

---

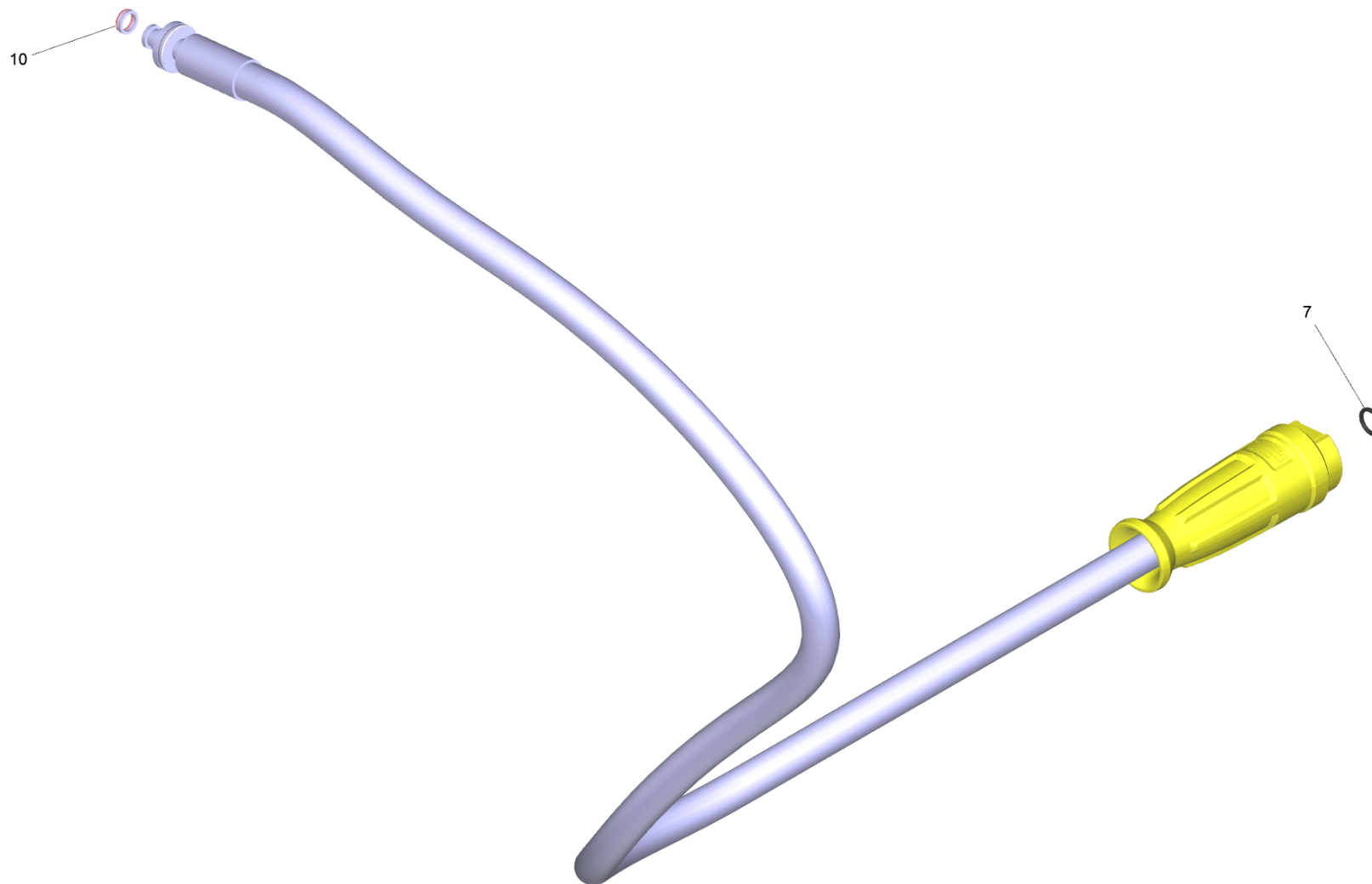
<b>POS</b>	<b>Article no.</b>	<b>Description</b>	<b>Quantity</b>	<b>Unit</b>
4	5.321-364.3	Handhold rotary controller	1.000	ST
30	7.343-069.0	Locking ring 25x1,2-1.4122 DIN 471	1.000	ST
12	2.880-001.0	Spare part set seals TR	1.000	ST

107 Hose assembly TR rotatable DN8 40MPa 20m (6.110-028.0)

---

POS	Description	Quantity	Unit
1	Hose assembly TR rotatable DN8 40MPa 20m	1.000	ST

---

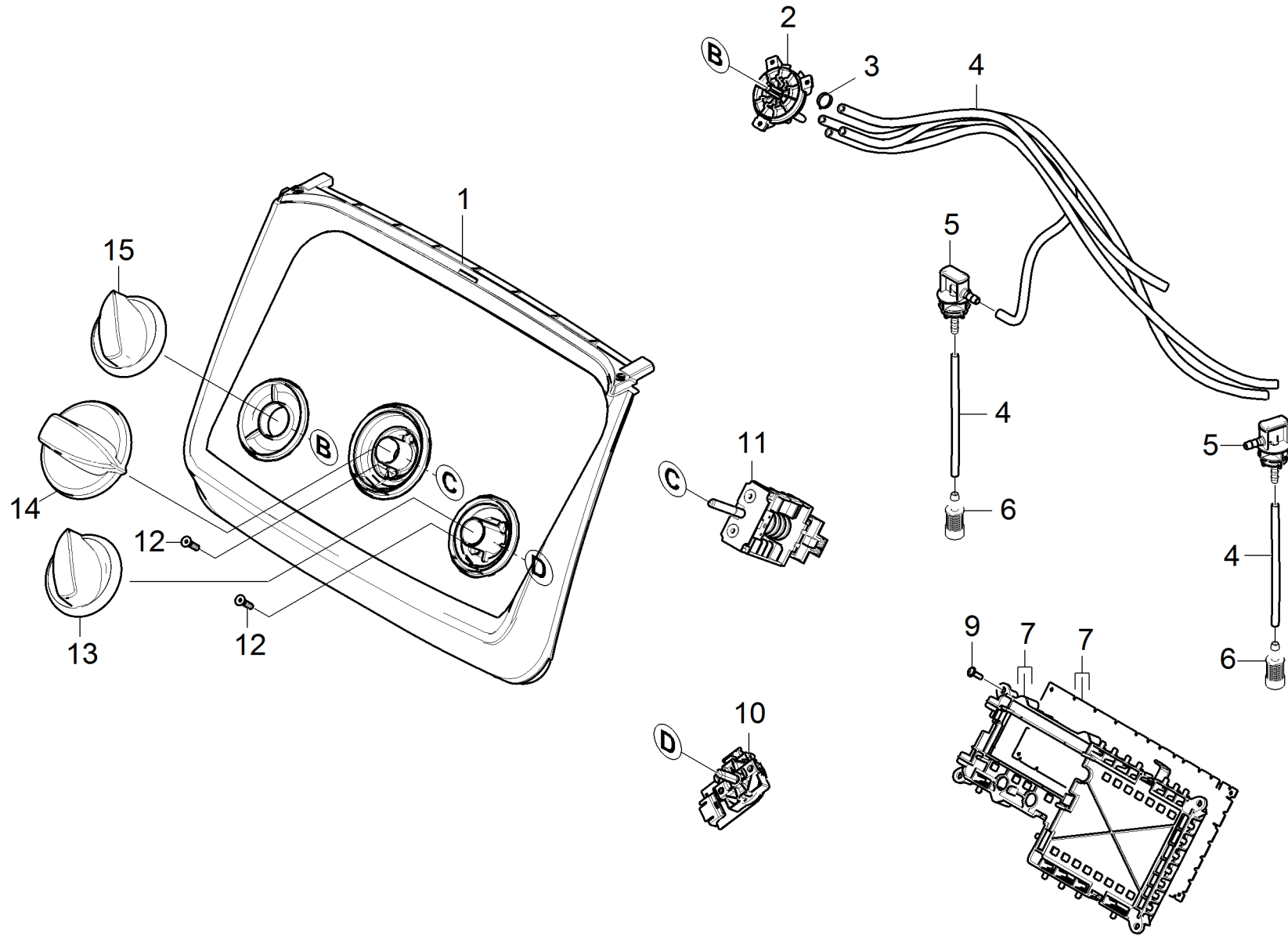




1 Hose assembly TR rotatable DN8 40MPa 20m

---

<b>POS</b>	<b>Article no.</b>	<b>Description</b>	<b>Quantity</b>	<b>Unit</b>
7	2.880-154.0	O-Ring kit	1.000	ST
10	4.363-691.0	O-Ring seal kpl. -nur fuer Ersatz-	1.000	ST



## 110 Control panel

POS	Article no.	Description	Quantity	Unit	Foot note text
1	4.841-381.0	Control panel replacement	1.000	ST	
12	7.305-019.0	Countersunk screw M4x16 -8.8-R2R (In6Rd	4.000	ST	
6	5.731-638.0	Filter with weight	2.000	ST	
7	2.885-052.0	Frame circuit board complete	1.000	ST	
13	5.321-847.0	Handle	1.000	ST	
15	5.321-844.0	Handle	1.000	ST	
14	5.321-848.0	Handle	1.000	ST	
4	6.391-341.0	Hose chemistry DN 6	1.000	M	TO ORDER AS CUT GOODS
3	6.388-559.0	Hose clip	4.000	ST	
5	5.132-195.0	Plug aspiration chemistry	2.000	ST	
2	4.063-842.0	Proportioning valve chemistry	1.000	ST	
9	7.303-106.0	Screw 4x12 -10.9-R2R (IN6RD)	2.000	ST	
11	6.630-421.3	Switch program selection	1.000	ST	
10	4.630-005.0	Switch temperature only for replacement	1.000	ST	

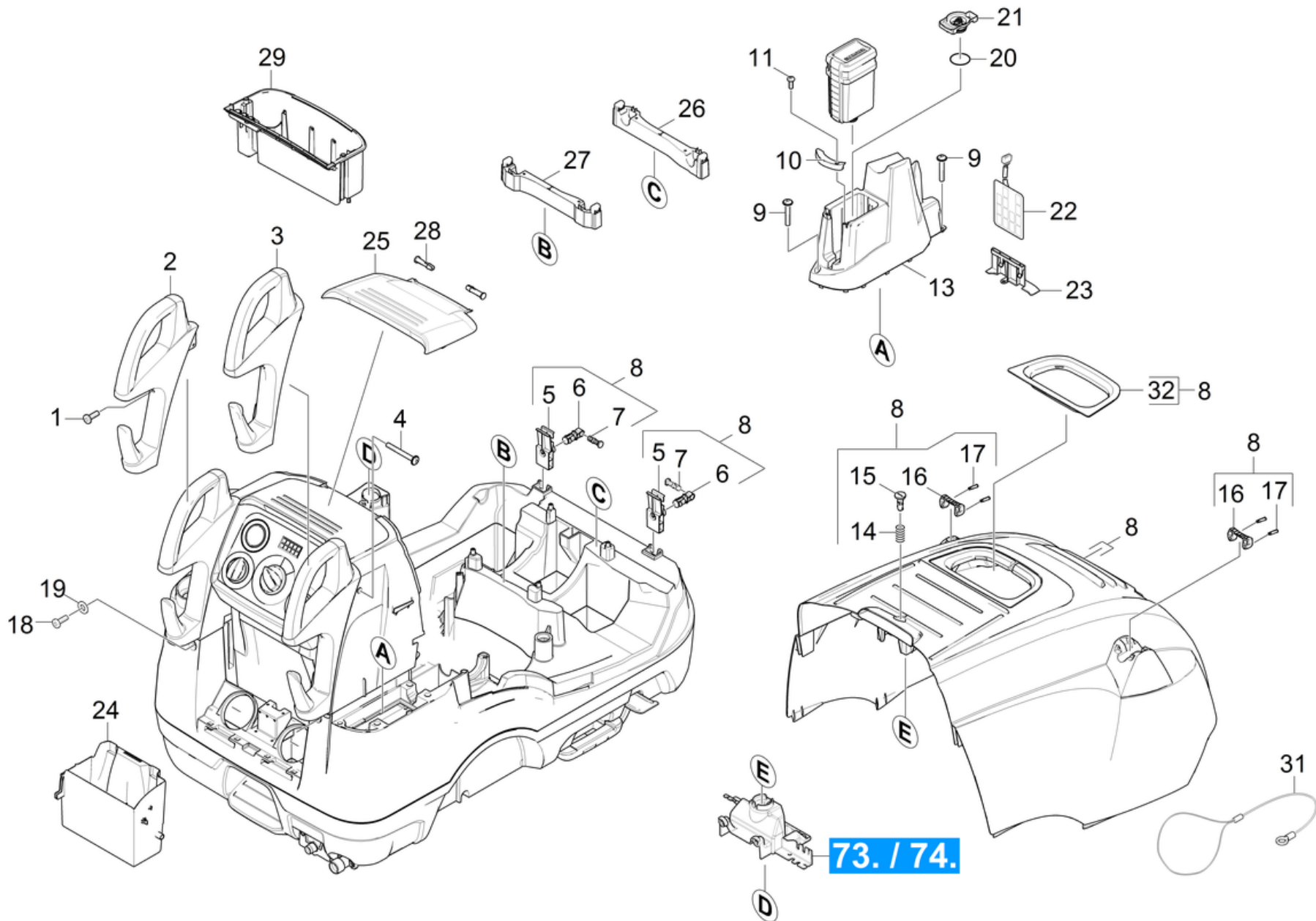
Spare parts list HDS 10/20-4MX \*EU-I (5.973-813.0)

POS	Description	Quantity	Unit
100	Accessories	1.000	ST
40	Blower	1.000	ST
110	Control panel	1.000	ST
60	Electric control box	1.000	ST
80	Float valve	1.000	ST
70	Flow heater	1.000	ST
50	Fuel pump and filter	1.000	ST
10	Housing	1.000	ST
30	Motor	1.000	ST
20	Pump set	1.000	ST
90	Safety system	1.000	ST

## 10 Housing

---

<b>POS</b>	<b>Description</b>	<b>Quantity</b>	<b>Unit</b>
13	Hose reel	1.000	ST
12	Housing bottom part	1.000	ST
11	Housing top part	1.000	ST



## 11 Housing top part

POS	Article no.	Description	Quantity	Unit
7	5.317-291.0	Bolt	2.000	ST
28	5.317-220.0	Bolt	2.000	ST
15	5.317-765.0	Bolt closure cover	1.000	ST
6	5.317-779.0	Bolt hinge black	2.000	ST
22	2.885-055.0	Circuit board	1.000	ST
21	5.425-495.0	CONNECTION PIECE DGT	1.000	ST
13	5.033-344.0	Covering cap DGT	1.000	ST
8	4.066-426.0	Device cover complete only for replaceme	1.000	ST
16	5.424-162.0	Fixing jet pipe	2.000	ST
25	5.033-113.0	Flap	1.000	ST
24	5.033-155.0	Flap	1.000	ST
14	5.332-236.0	Helical spring	1.000	ST
5	5.501-083.0	Hinge cover black	2.000	ST
23	5.044-889.0	Holder circuit board	1.000	ST
20	6.362-377.0	O-Ring seal 38,0 X 2,0-NBR 70	1.000	ST
17	5.314-143.0	Pin fixing jet pipe	4.000	ST
10	5.033-381.0	Profile	1.000	ST
11	7.303-106.0	Screw 4x12 -10.9-R2R (IN6RD)	1.000	ST
9	7.303-086.0	Screw 5x30 -10.9-R2R (K-In6Rd)	2.000	ST
4	7.303-209.0	Screw 6x50 -10.9-R2R (K-In6Rd)	2.000	ST
1	7.303-069.0	Screw M 8x25-ST-R3R (IN6RD)	2.000	ST
18	6.303-497.0	Screw M8x35-8.8-A2E (IN6RD)	2.000	ST
32	5.061-455.0	Sheet metal component	1.000	ST
2	5.321-830.0	Sliding handle left	1.000	ST
3	5.321-831.3	Sliding handle right	1.000	ST
29	5.033-112.0	Storage compartment	1.000	ST
26	5.190-249.0	Strip front	1.000	ST
27	5.190-250.0	Strip rear	1.000	ST
31	6.431-274.0	Tackle cover	1.000	ST
19	7.312-277.0	Washer 8-200HV-A2E ISO7093-1	2.000	ST

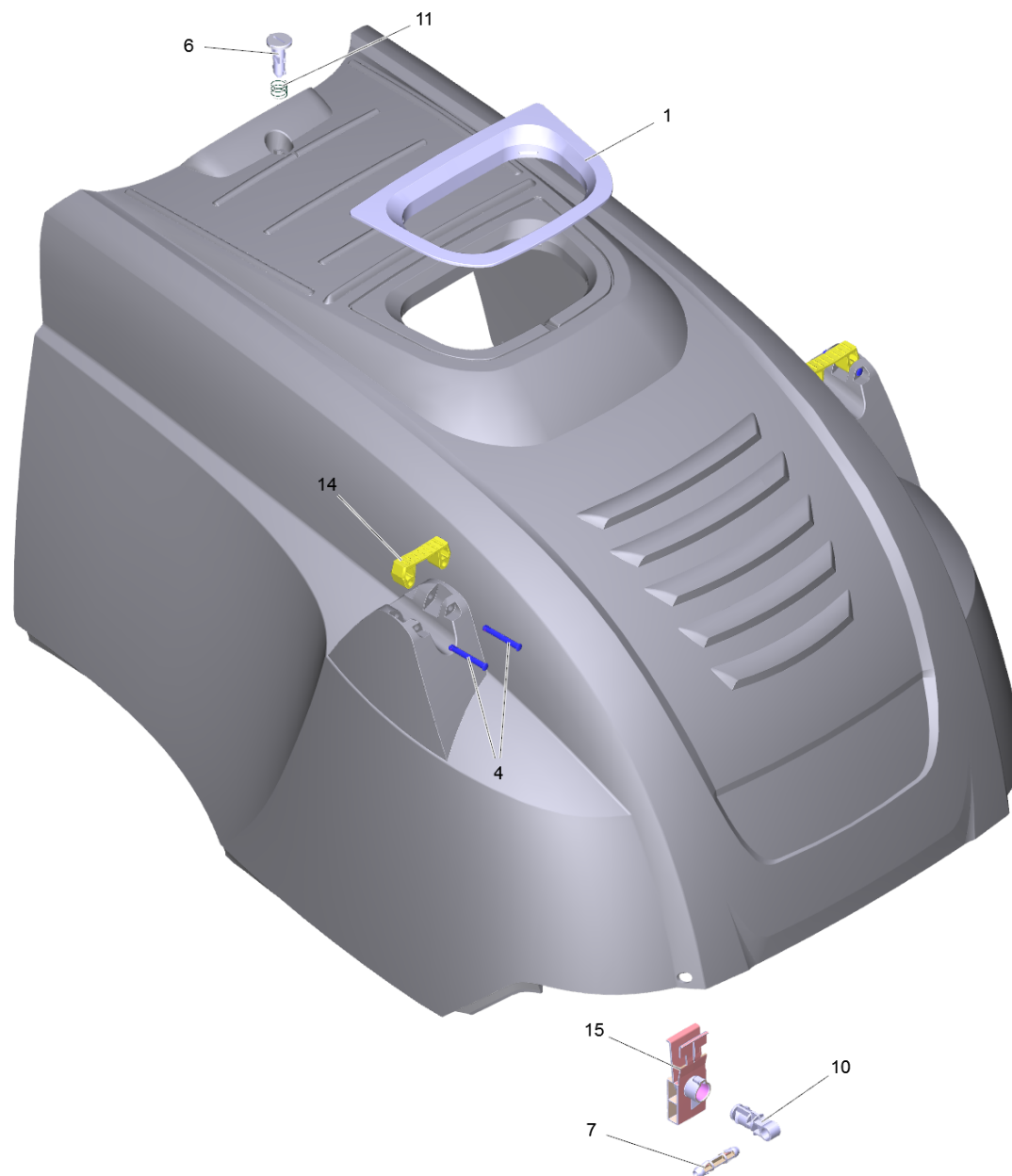
8 Device cover complete only for replaceme (4.066-426.0)

---

POS	Description	Quantity	Unit
1	Device cover complete basalt grey RAL 70	1.000	ST

---

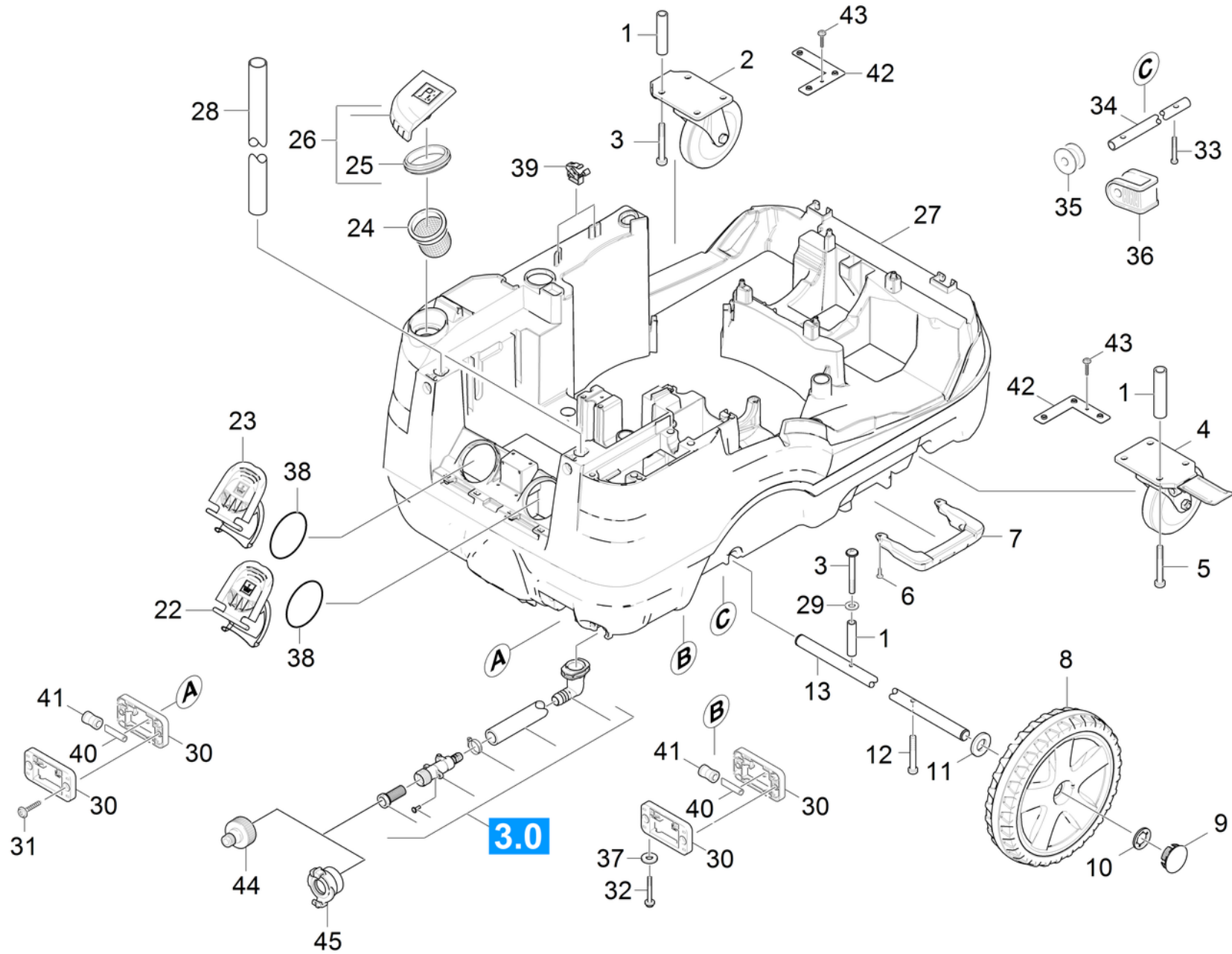




## 1 Device cover complete basalt grey RAL 70

---

<b>POS</b>	<b>Article no.</b>	<b>Description</b>	<b>Quantity</b>	<b>Unit</b>
7	5.317-291.0	Bolt	2.000	ST
6	5.317-765.0	Bolt closure cover	1.000	ST
10	5.317-779.0	Bolt hinge black	2.000	ST
14	5.424-162.0	Fixing jet pipe	2.000	ST
11	5.332-236.0	Helical spring	1.000	ST
15	5.501-083.0	Hinge cover black	2.000	ST
4	5.314-143.0	Pin fixing jet pipe	4.000	ST
1	5.061-455.0	Sheet metal component	1.000	ST



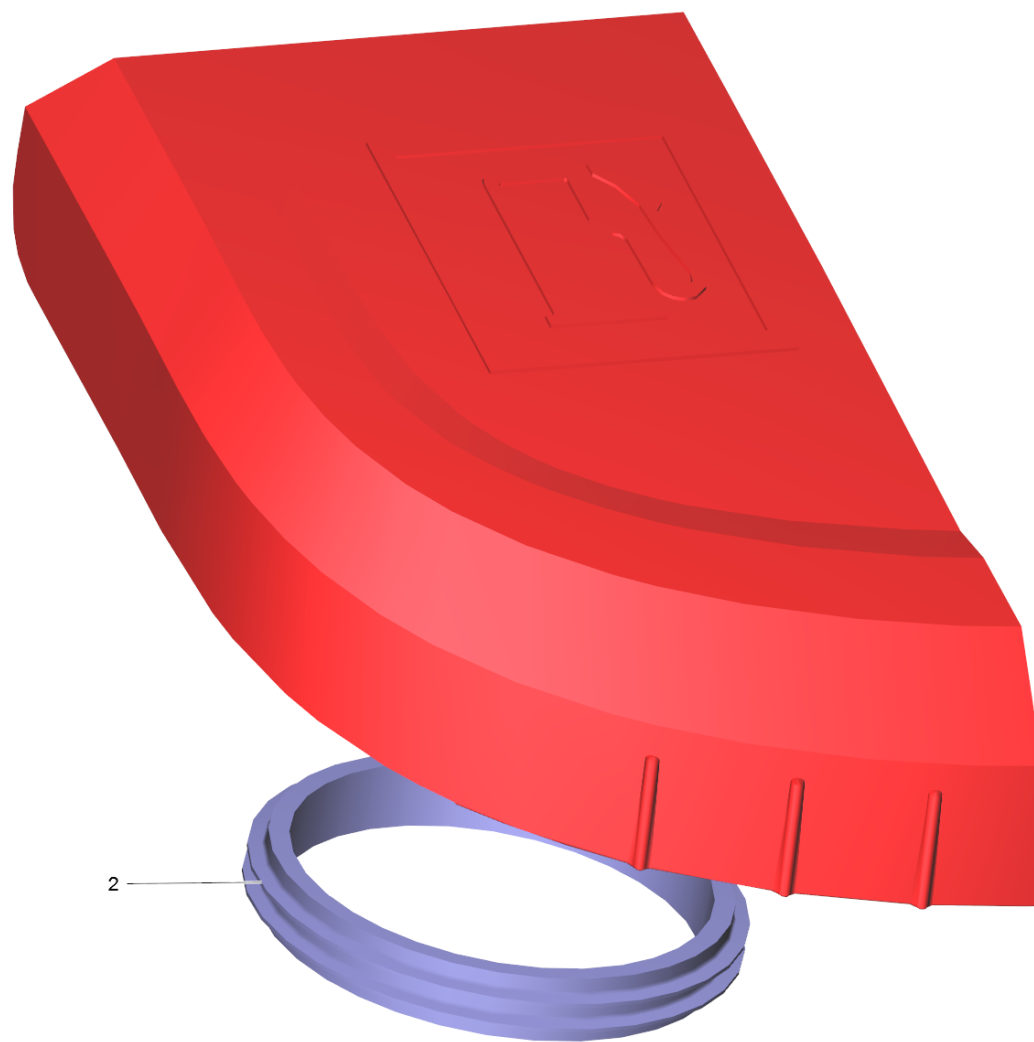
## 12 Housing bottom part

POS	Article no.	Description	Quantity	Unit	Foot note text
13	5.105-652.0	Axle	1.000	ST	
34	5.033-524.0	Axle	2.000	ST	
40	5.128-511.0	Axle	6.000	ST	
4	6.435-747.0	Castor	1.000	ST	
2	6.435-777.0	Castor D 160	1.000	ST	
23	5.064-221.0	Cover chemistry 1	1.000	ST	
22	5.064-231.0	Cover chemistry 2	1.000	ST	
26	4.064-013.0	Cover fuel complete	1.000	ST	
35	5.515-112.0	Deflection pulley	1.000	ST	
24	5.731-039.0	Filter	1.000	ST	
7	5.424-136.0	Fixing	2.000	ST	
42	5.424-137.0	Fixing castor	2.000	ST	
27	4.051-109.0	Frame neue M-Klasse Ersatz	1.000	ST	
39	5.802-306.0	Holder cable	2.000	ST	
30	5.044-646.0	Holder roller front	4.000	ST	
45	6.388-458.0	Hose coupling	1.000	ST	
25	5.363-300.0	Joint ring	1.000	ST	
10	6.343-162.0	Lock washer -25	2.000	ST	
38	6.363-443.0	O-Ring seal 75x5	2.000	ST	
41	5.515-191.0	Roller	6.000	ST	
43	7.303-107.0	Screw 5x16 -10.9-P2R (K-In6Rd)	2.000	ST	
33	7.303-086.0	Screw 5x30 -10.9-R2R (K-In6Rd)	2.000	ST	
31	7.303-118.0	Screw 5x40 -A2-70 (IN6Rd)	2.000	ST	
32	7.303-171.0	Screw 5x80 -10.9-R2R (K-In6Rd)	2.000	ST	
6	7.303-046.0	Screw M6x12 -St-R3R (In6Rd)	4.000	ST	
12	7.303-236.0	Screw M 8x60-St-A3E (IN6RD)	1.000	ST	
3	7.303-236.0	Screw M 8x60-St-A3E (IN6RD)	4.000	ST	
5	7.303-237.0	Screw M 8x70-St-A3K (IN6RD)	3.000	ST	
44	2.640-492.0	Set water connection 1 "	1.000	ST	
9	2.889-086.0	Set wheel cap	1.000	ST	SET OF 2 PIECES
36	5.033-415.0	Slider	1.000	ST	
1	5.111-065.0	Spacer sleeve	7.000	ST	
28	5.027-292.0	Tube handhold	2.000	ST	

## 12 Housing bottom part

---

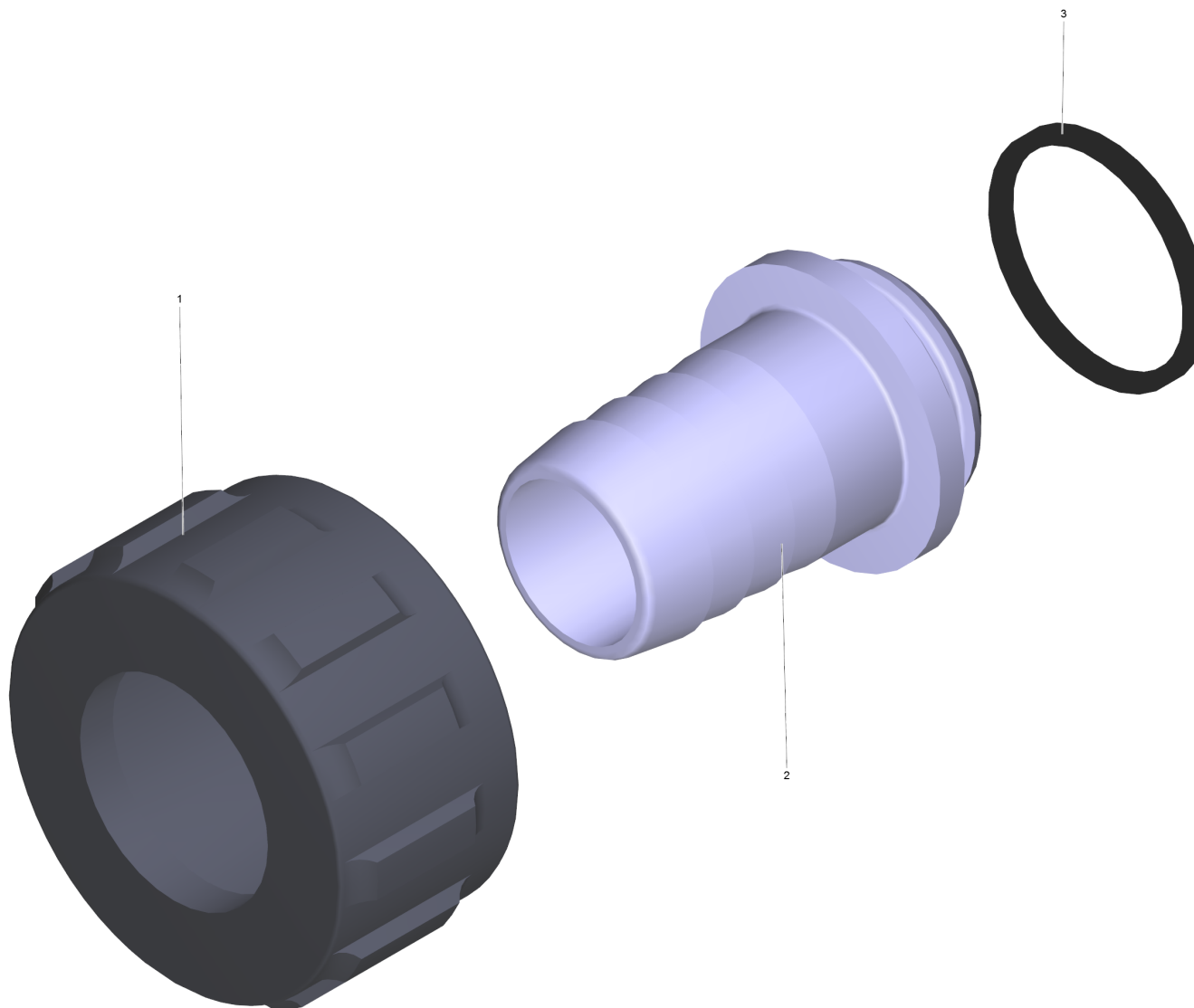
<b>POS</b>	<b>Article no.</b>	<b>Description</b>	<b>Quantity</b>	<b>Unit</b>	<b>Foot note text</b>
37	7.312-278.0	Washer 5-200HV-A2E ISO7093-1	2.000	ST	
29	7.312-277.0	Washer 8-200HV-A2E ISO7093-1	1.000	ST	
11	7.312-060.0	Washer 24-100HV-A3E ISO 7091	2.000	ST	
8	4.515-345.0	Wheel complete	2.000	ST	



26 Cover fuel complete (4.064-013.0)

---

POS	Article no.	Description	Quantity	Unit
2	5.363-300.0	Joint ring	1.000	ST

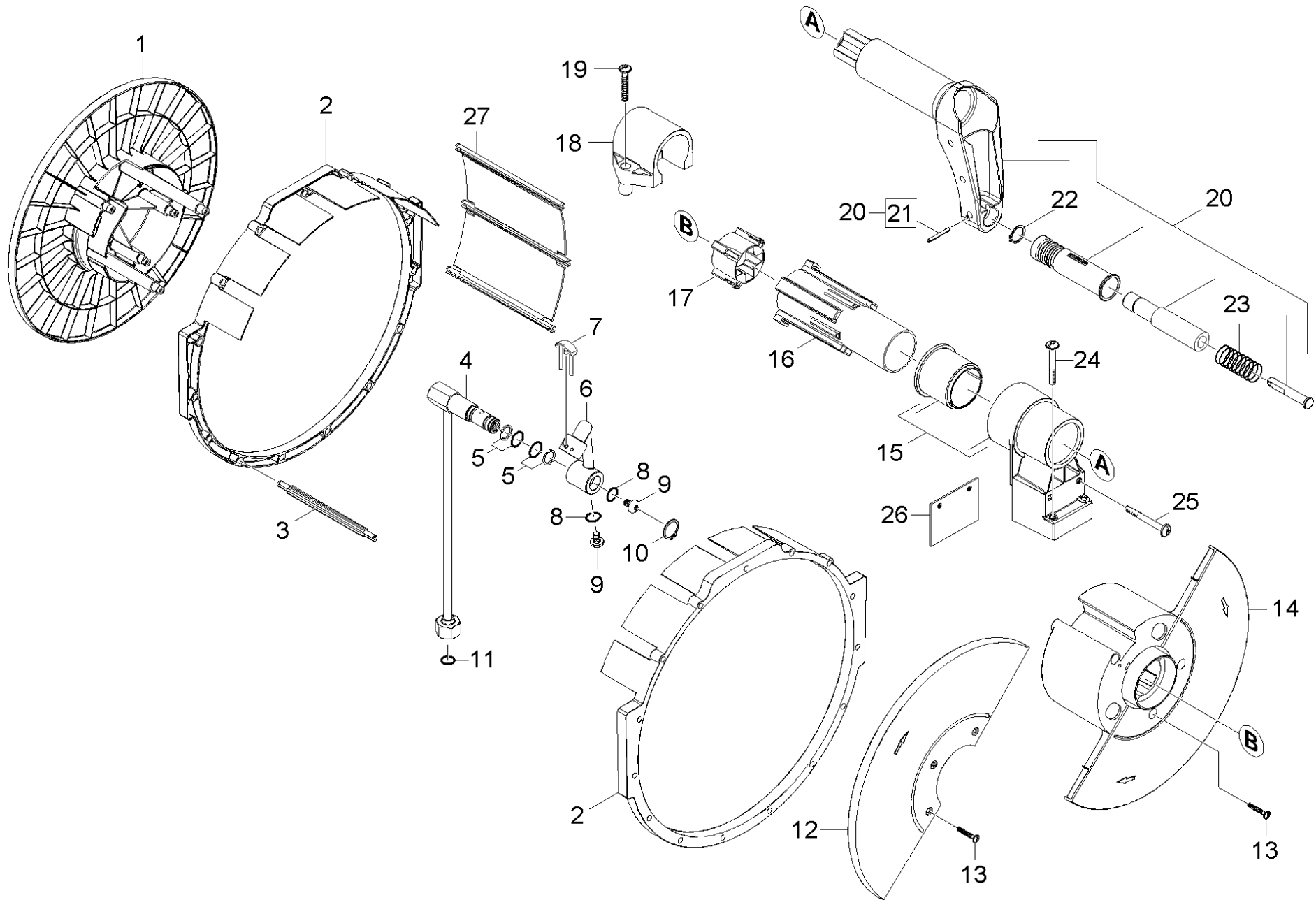




#### 44 Set water connection 1 " (2.640-492.0)

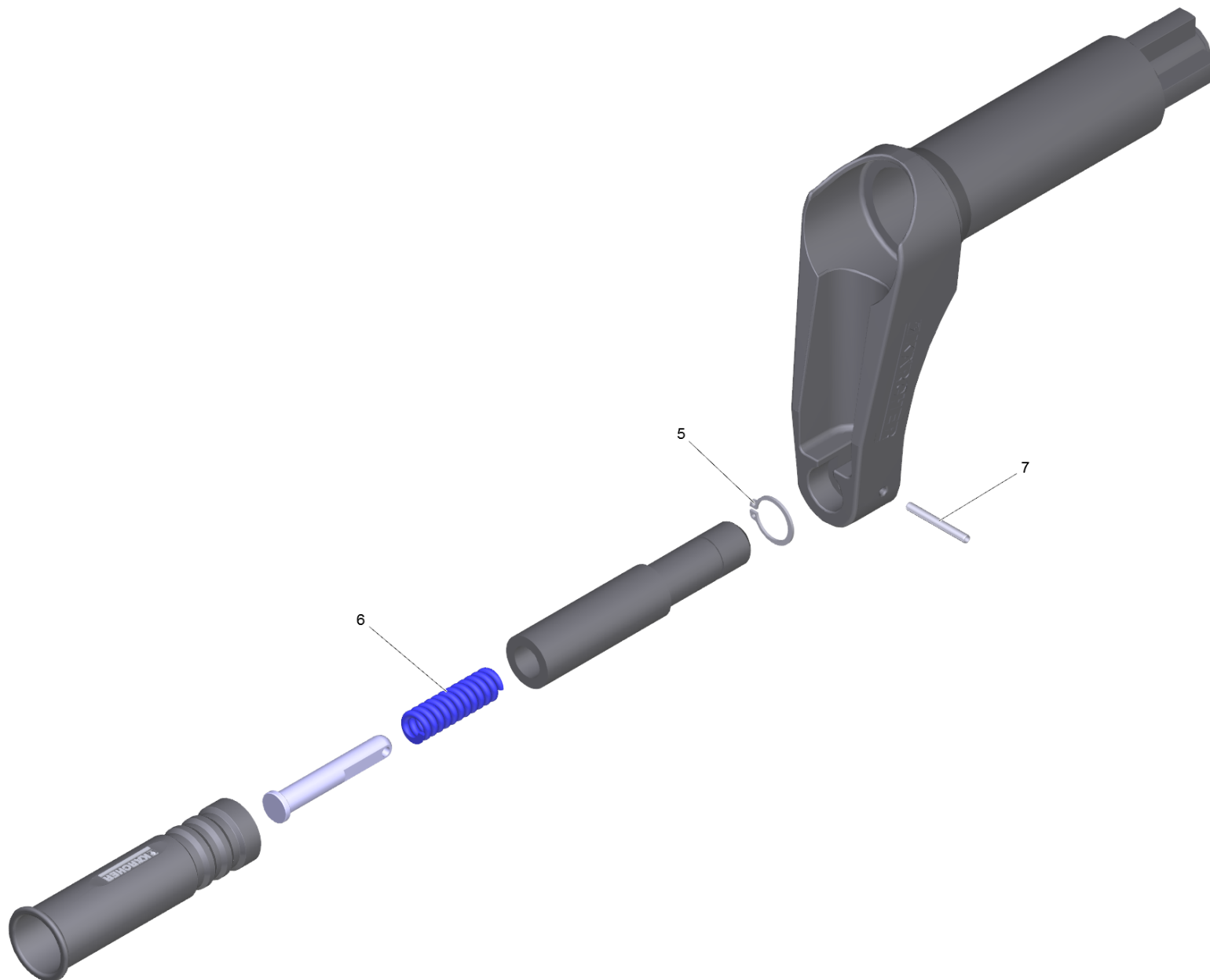
---

<b>POS</b>	<b>Article no.</b>	<b>Description</b>	<b>Quantity</b>	<b>Unit</b>
2	5.443-291.0	Hose stem	1.000	ST
1	5.310-076.0	Nut	1.000	ST
3	6.362-161.0	O-Ring seal 19,3 X 2,4	1.000	ST



## 13 Hose reel

POS	Article no.	Description	Quantity	Unit
18	5.251-060.0	Bearing support bottom part	1.000	ST
15	4.251-051.0	Bearing support completely	1.000	ST
26	5.762-400.0	Bracket	1.000	ST
2	5.044-849.0	Cage	2.000	ST
16	5.251-070.0	Carrier aussen	1.000	ST
17	5.251-069.0	Carrier innen	1.000	ST
20	4.481-263.0	Crank complete	1.000	ST
23	5.332-005.0	Helical spring	1.000	ST
7	4.037-013.0	Hook	1.000	ST
1	5.776-019.0	Hose reel left half	1.000	ST
14	5.776-020.0	Hose reel right half 1	1.000	ST
12	5.776-021.0	Hose reel right half 2	1.000	ST
10	7.343-018.0	Locking ring 18x1,2-Rf-St DIN 471	1.000	ST
22	7.343-007.0	Locking ring 20x1,2-FST-RF DIN 471	1.000	ST
6	5.427-310.0	Manifold	1.000	ST
8	6.363-484.0	O-Ring seal 8 x 2,2 mm HNBR Shore 80	2.000	ST
11	6.363-485.0	O-Ring seal 10x 2 mm HNBR Shore 80	1.000	ST
5	6.363-073.3	O-Ring seal 14x1,78 1XSRH-NBR	2.000	ST
4	4.422-103.0	Pipelines	1.000	ST
27	5.394-853.0	Protection part	1.000	ST
3	5.027-295.0	Rod	11.000	ST
13	7.303-108.0	Screw 5x20 -10.9-R2R (In6Rd)	6.000	ST
19	7.303-118.0	Screw 5x40 -A2-70 (IN6Rd)	2.000	ST
24	7.303-209.0	Screw 6x50 -10.9-R2R (K-In6Rd)	2.000	ST
25	7.306-201.0	Screw M 6x55-A2-70 (IN6RD)	2.000	ST
9	7.306-223.0	Screw M8x12 -A2-70 (In6Rd)	2.000	ST
21	7.314-967.0	Spring pin 4x35 -St ISO 13337	1.000	ST



20 Crank complete (4.481-263.0)

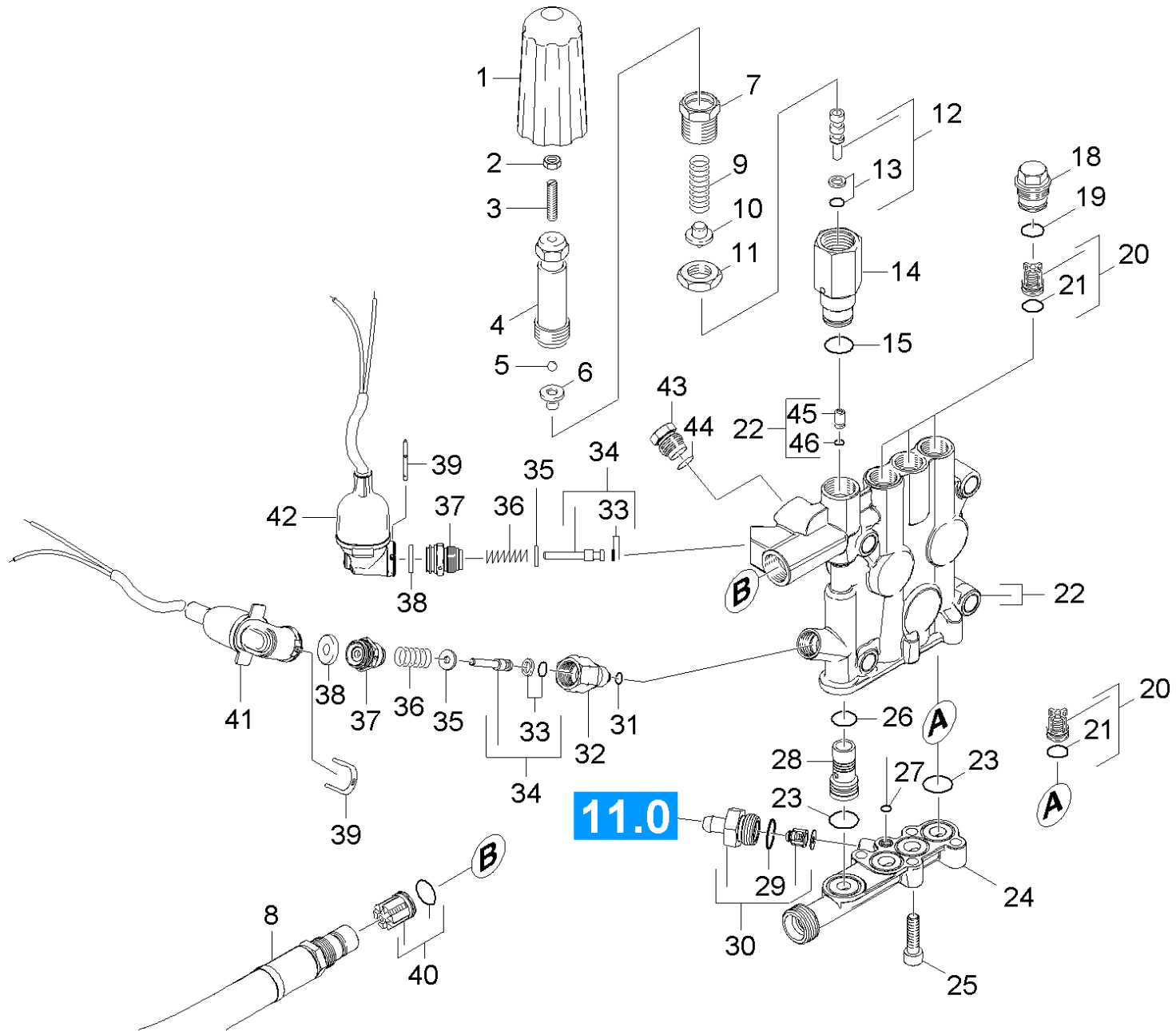
---

<b>POS</b>	<b>Article no.</b>	<b>Description</b>	<b>Quantity</b>	<b>Unit</b>
6	5.332-005.0	Helical spring	1.000	ST
5	7.343-007.0	Locking ring 20x1,2-FST-RF DIN 471	1.000	ST
7	7.314-967.0	Spring pin 4x35 -St ISO 13337	1.000	ST

20 Pump set

---

<b>POS</b>	<b>Description</b>	<b>Quantity</b>	<b>Unit</b>
21	Cylinder head	1.000	ST
22	Piston	1.000	ST



## 21 Cylinder head

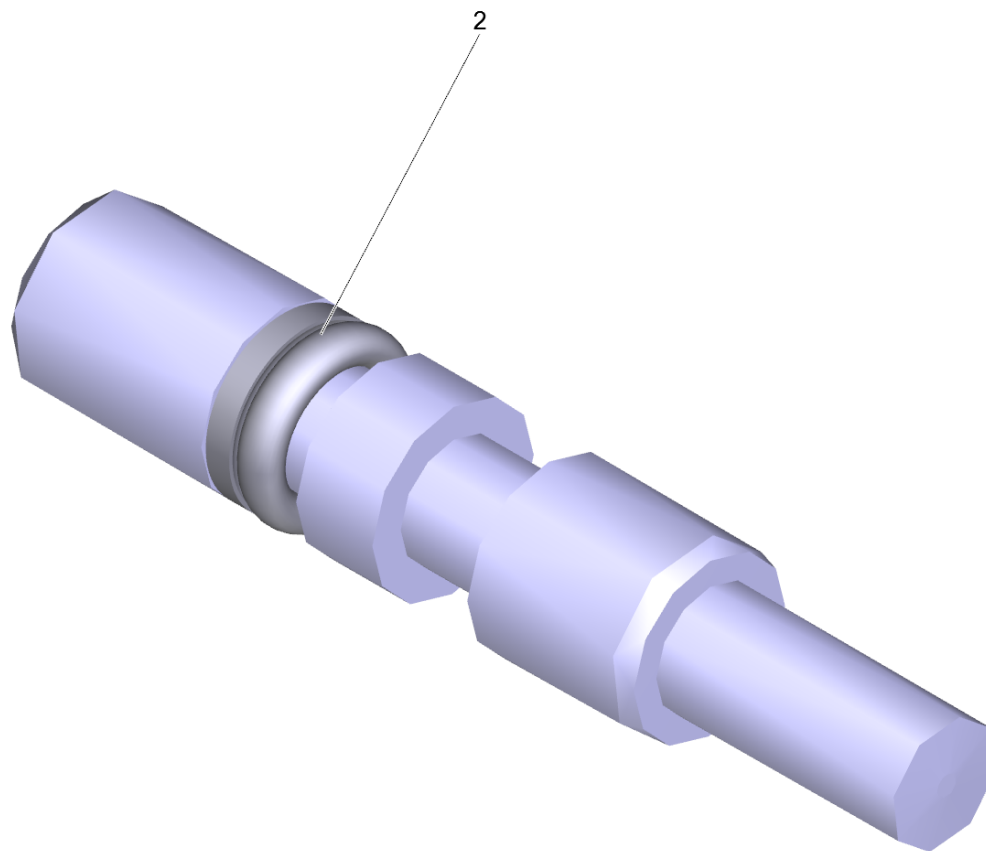
POS	Article no.	Description	Quantity	Unit
14	5.402-746.0	Connection piece	1.000	ST
22	4.550-886.0	Cylinder head complete	1.000	ST
25	7.306-043.0	Cylinder head screw M8x30 -8.8-A2E ISO	4.000	ST
38	5.367-030.0	Diaphragm	2.000	ST
1	5.322-103.0	Handle	1.000	ST
36	5.332-268.0	Helical spring	2.000	ST
9	5.332-444.0	Helical spring	1.000	ST
4	5.304-070.0	Hexagonal head screw	1.000	ST
2	7.311-002.0	Hexagon nut M5 -6-A2E ISO 4032	1.000	ST
11	5.311-204.0	Hexagon nut M22x1,5	1.000	ST
8	6.391-629.0	High pressure hose DN 13	1.000	ST
7	5.404-082.0	Hollow screw	1.000	ST
32	5.402-705.3	Joining piece	1.000	ST
24	5.427-418.0	Manifold water intake	1.000	ST
31	6.362-853.0	O-Ring seal 4,47x1,78	1.000	ST
46	6.362-386.0	O-Ring seal 5,0 x 1,5-NBR 80	1.000	ST
27	6.362-703.0	O-Ring seal 6,0x1,5-NBR 70	1.000	ST
44	6.362-176.0	O-Ring seal 6,07x1,78	1.000	ST
21	6.363-003.0	O-Ring seal 13,0 X 2,0-NBR 90	6.000	ST
26	6.362-381.0	O-Ring seal 13x2 - NBR 70	1.000	ST
19	6.362-481.0	O-Ring seal 14,0 x 2,0 NBR 80	3.000	ST
29	6.362-427.0	O-Ring seal 15,0x2,0	1.000	ST
15	6.362-427.0	O-Ring seal 15,0x2,0	1.000	ST
23	6.363-536.0	O-Ring seal 21x1,5	4.000	ST
13	6.362-468.0	O-Ring seal complete 1ST.-R.	1.000	ST
33	6.363-037.0	O-Ring seal complete 1ST.-R.	2.000	ST
12	4.553-287.0	Piston complete	1.000	ST
34	4.553-197.0	Piston complete only for replacement	2.000	ST
39	5.034-494.0	Retaining bracket	2.000	ST
43	5.411-504.0	Screw plug	1.000	ST
37	5.411-148.0	Screw plug	2.000	ST
28	5.110-865.0	Sleeve	1.000	ST
100	2.885-034.0	Spare part set pump	1.000	ST



## 21 Cylinder head

---

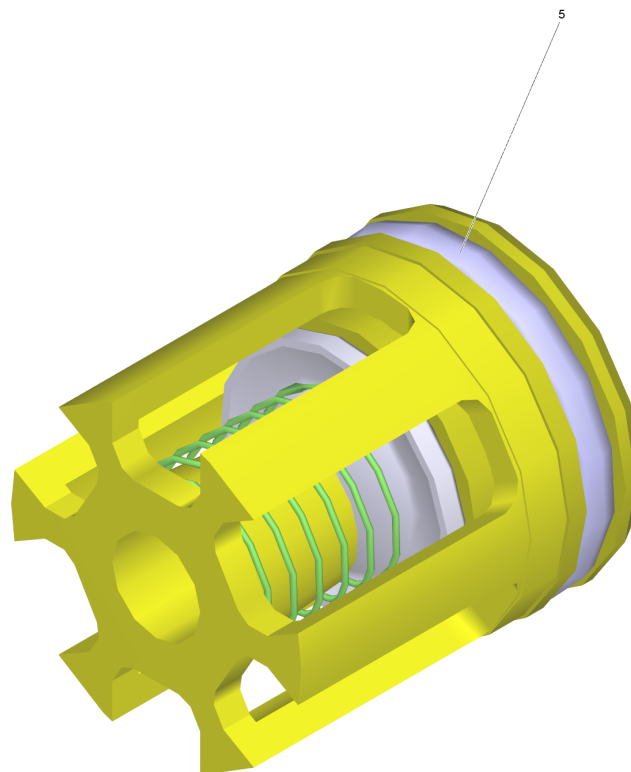
POS	Article no.	Description	Quantity	Unit
5	7.401-931.0	Sphere 5 KI3 -1.4401 DIN 5401	1.000	ST
42	4.744-224.0	Switch complete	1.000	ST
41	4.744-225.3	Switch complete	1.000	ST
3	7.307-017.0	Threaded pin M5x40 -St-45H-A2E ISO 4026	1.000	ST
20	2.884-512.0	Valve (3 Stueck)	2.000	ST
40	4.580-594.0	Valve complete	1.000	ST
30	4.580-581.3	Valve complete	1.000	ST
6	5.582-121.0	Valve disc	1.000	ST
10	5.584-114.0	Valve pin	1.000	ST
18	5.583-146.3	Valve screw	3.000	ST
45	5.581-239.0	Valve seat	1.000	ST
35	5.115-796.0	Washer	2.000	ST



12 Piston complete (4.553-287.0)

---

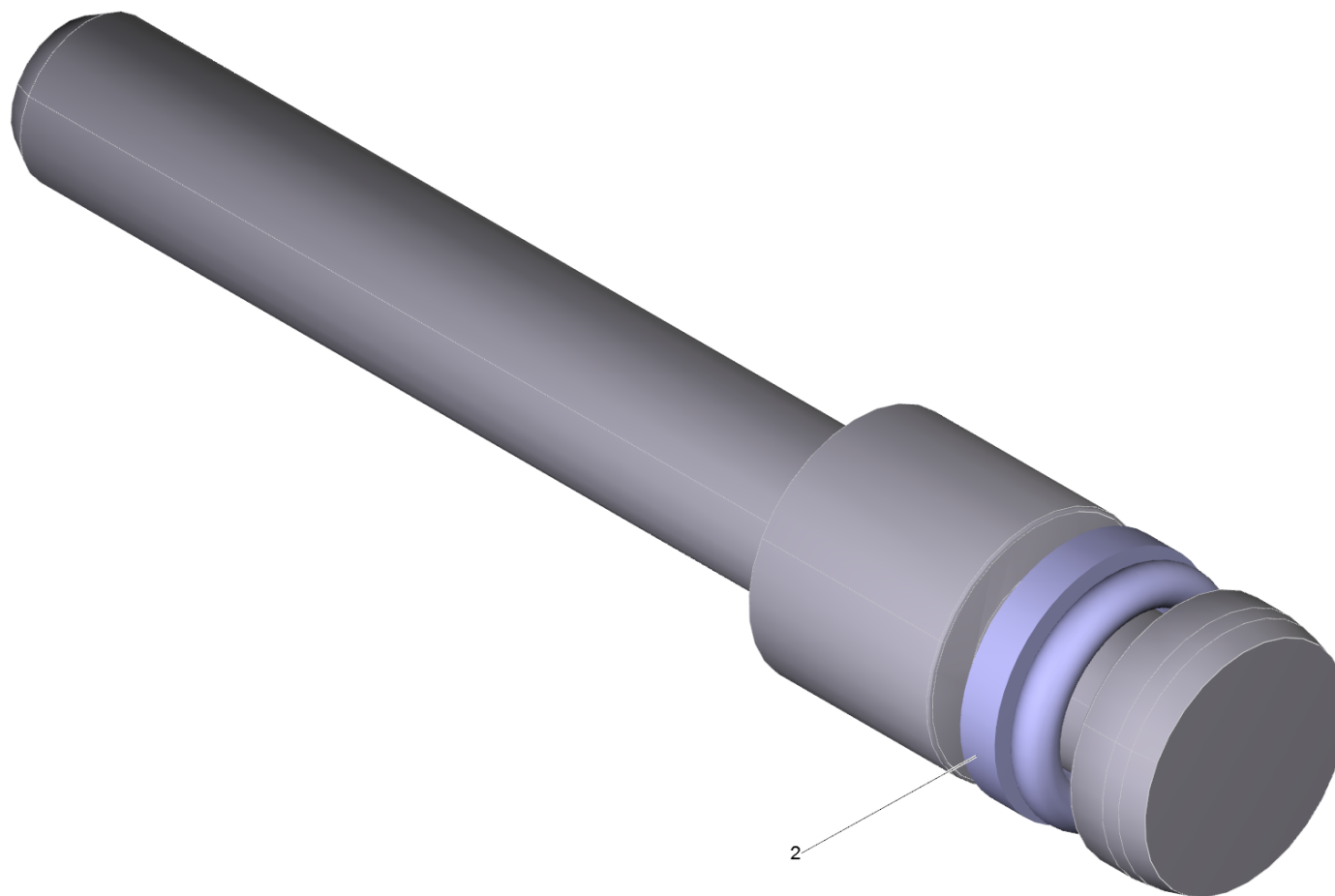
<b>POS</b>	<b>Article no.</b>	<b>Description</b>	<b>Quantity</b>	<b>Unit</b>
2	6.362-468.0	O-Ring seal complete 1ST.-R.	1.000	ST



20 Valve (3 Stueck) (2.884-512.0)

---

POS	Article no.	Description	Quantity	Unit
5	6.363-003.0	O-Ring seal 13,0 X 2,0-NBR 90	1.000	ST

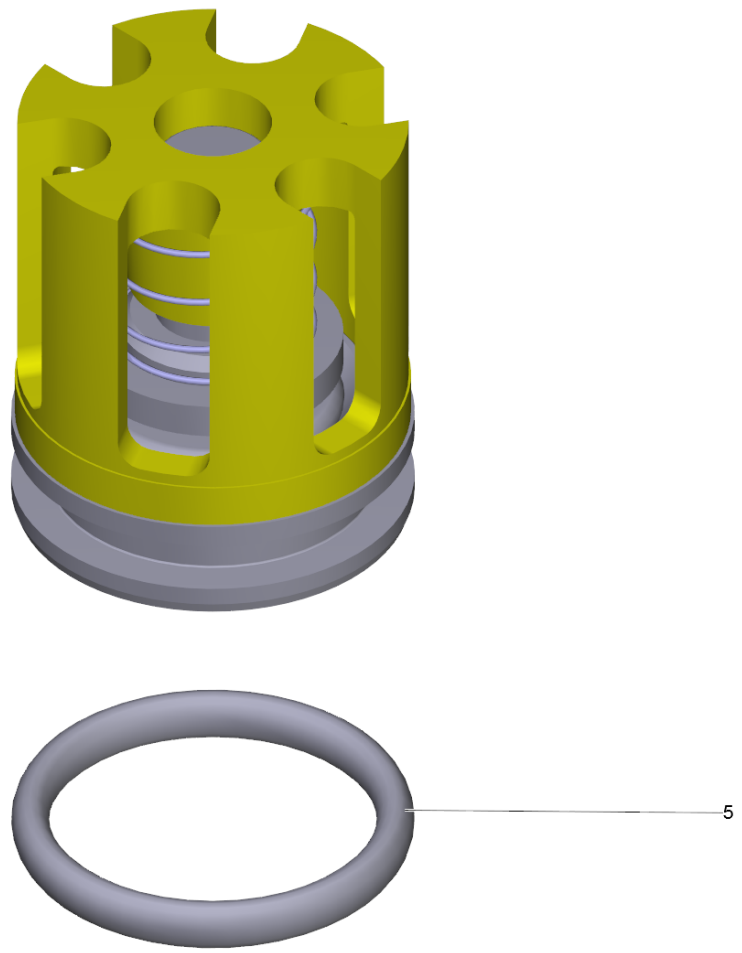


34 Piston complete only for replacement (4.553-197.0)

---

<b>POS</b>	<b>Article no.</b>	<b>Description</b>	<b>Quantity</b>	<b>Unit</b>
2	6.363-037.0	O-Ring seal complete 1ST.-R.	1.000	ST

---





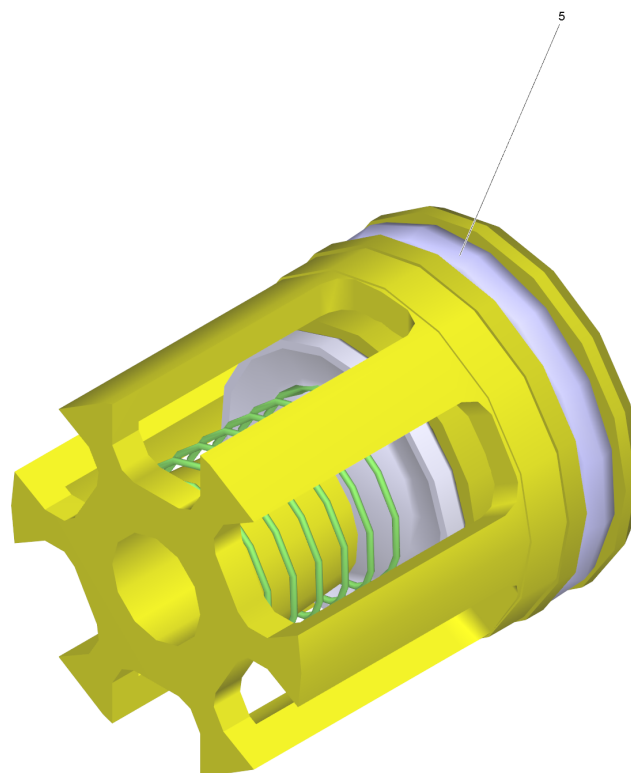
40 Valve complete (4.580-594.0)

---

<b>POS</b>	<b>Article no.</b>	<b>Description</b>	<b>Quantity</b>	<b>Unit</b>
5	6.362-381.0	O-Ring seal 13x2 - NBR 70	1.000	ST

100 Spare part set pump (2.885-034.0)

POS	Article no.	Description	Quantity	Unit
13	6.365-053.0	Compact seal 20X30X6	3.000	ST
14	6.365-377.0	Grooved ring 20x30x6	3.000	ST
11	6.362-481.0	O-Ring seal 14,0 x 2,0 NBR 80	3.000	ST
9	6.362-427.0	O-Ring seal 15,0x2,0	1.000	ST
12	6.362-547.0	O-Ring seal 20,0x1,5-NBR 70	4.000	ST
8	6.362-092.0	O-Ring seal 36,0 X 2,0-NBR 70	3.000	ST
10	6.362-468.0	O-Ring seal complete 1ST.-R.	1.000	ST
4	5.034-494.0	Retaining bracket	2.000	ST
15	6.365-378.0	Supportring 20x30x4,2	3.000	ST
1	2.884-512.0	Valve (3 Stueck)	2.000	ST
2	4.580-581.3	Valve complete	1.000	ST
3	4.580-594.0	Valve complete	1.000	ST
5	5.115-537.0	Washer	3.000	ST
6	5.115-538.0	Washer	3.000	ST
7	5.115-796.0	Washer	2.000	ST

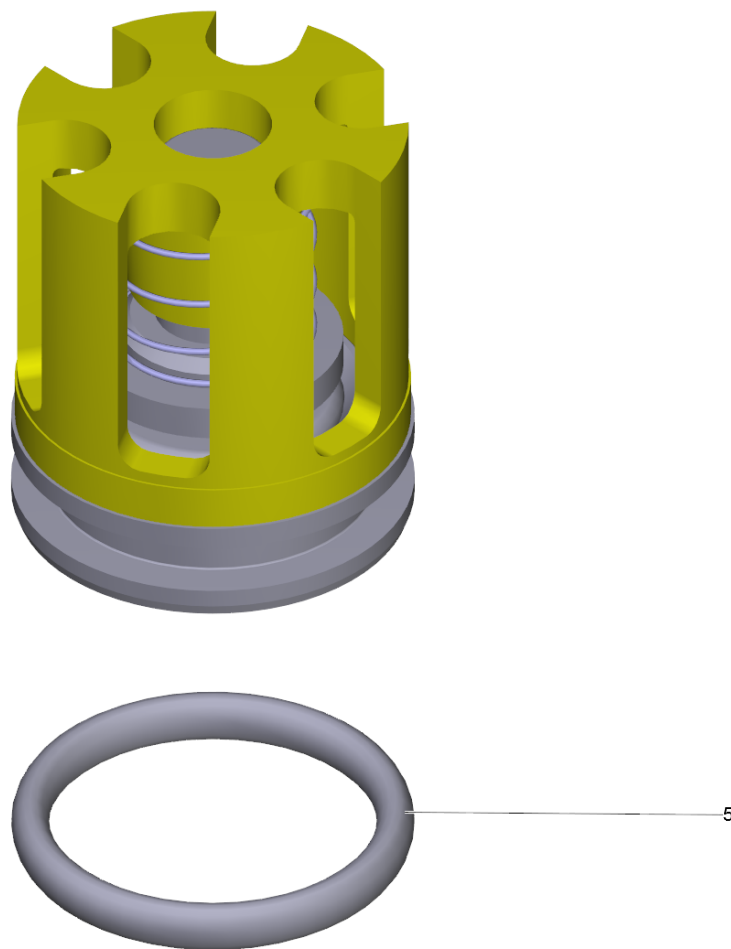


1 Valve (3 Stueck) (2.884-512.0)

---

POS	Article no.	Description	Quantity	Unit
5	6.363-003.0	O-Ring seal 13,0 X 2,0-NBR 90	1.000	ST

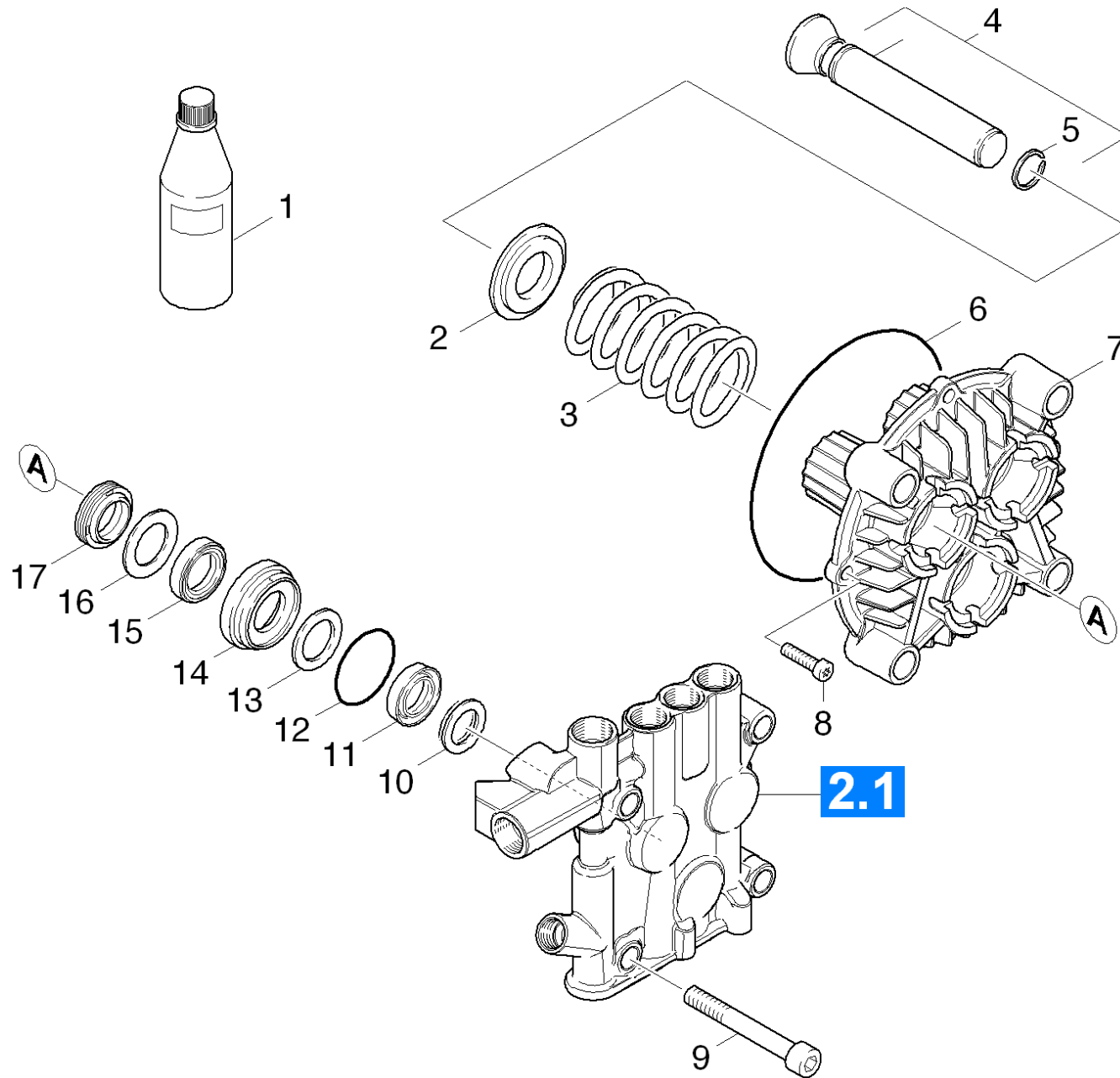
---



3 Valve complete (4.580-594.0)

---

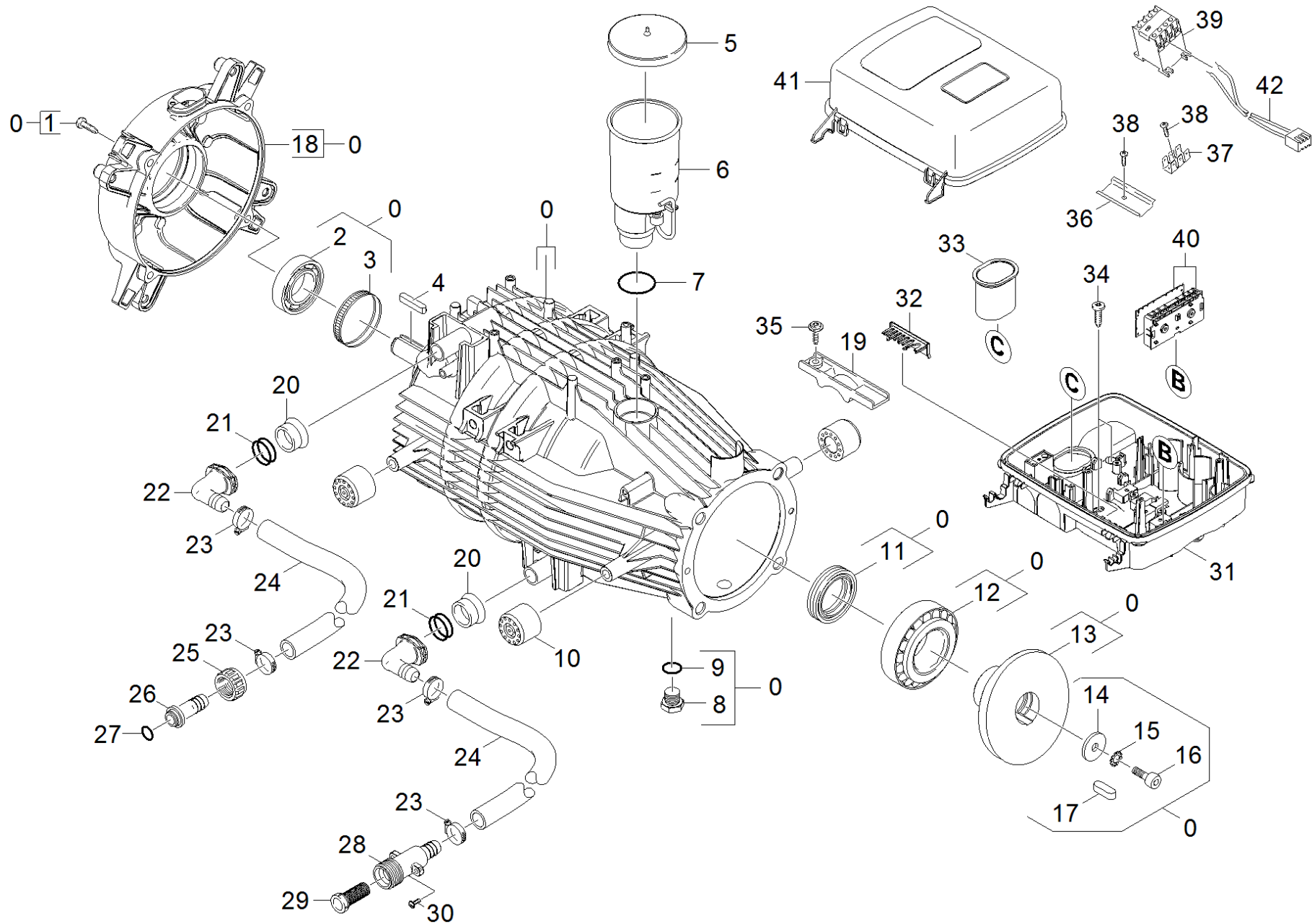
<b>POS</b>	<b>Article no.</b>	<b>Description</b>	<b>Quantity</b>	<b>Unit</b>
5	6.362-381.0	O-Ring seal 13x2 - NBR 70	1.000	ST



## 22 Piston

POS	Article no.	Description	Quantity	Unit
14	5.112-832.0	Bush	3.000	ST
15	6.365-053.0	Compact seal 20X30X6	3.000	ST
9	7.306-155.0	Cylinder head screw M12x100 -8.8-A3E IS	4.000	ST
1	6.288-016.0	Gear oil 1L	1.000	ST
17	6.365-052.0	Grooved ring 20X28X6/8	3.000	ST
11	6.365-377.0	Grooved ring 20x30x6	3.000	ST
3	5.332-187.0	Helical spring	3.000	ST
12	6.362-092.0	O-Ring seal 36,0 X 2,0-NBR 70	3.000	ST
6	6.363-228.0	O-Ring seal 114 x 3	1.000	ST
4	4.553-282.0	Piston complete only for replacement	3.000	ST
8	7.306-105.0	Screw M6x30 -8.8-R3R (In6Rd)	2.000	ST
5	6.472-331.0	Snap ring 20	3.000	ST
10	6.365-378.0	Supportring 20x30x4,2	3.000	ST
7	5.060-936.3	Thrust guidance D 20	1.000	ST
16	5.115-537.0	Washer	3.000	ST
2	5.115-991.0	Washer	3.000	ST
13	5.115-538.0	Washer	3.000	ST





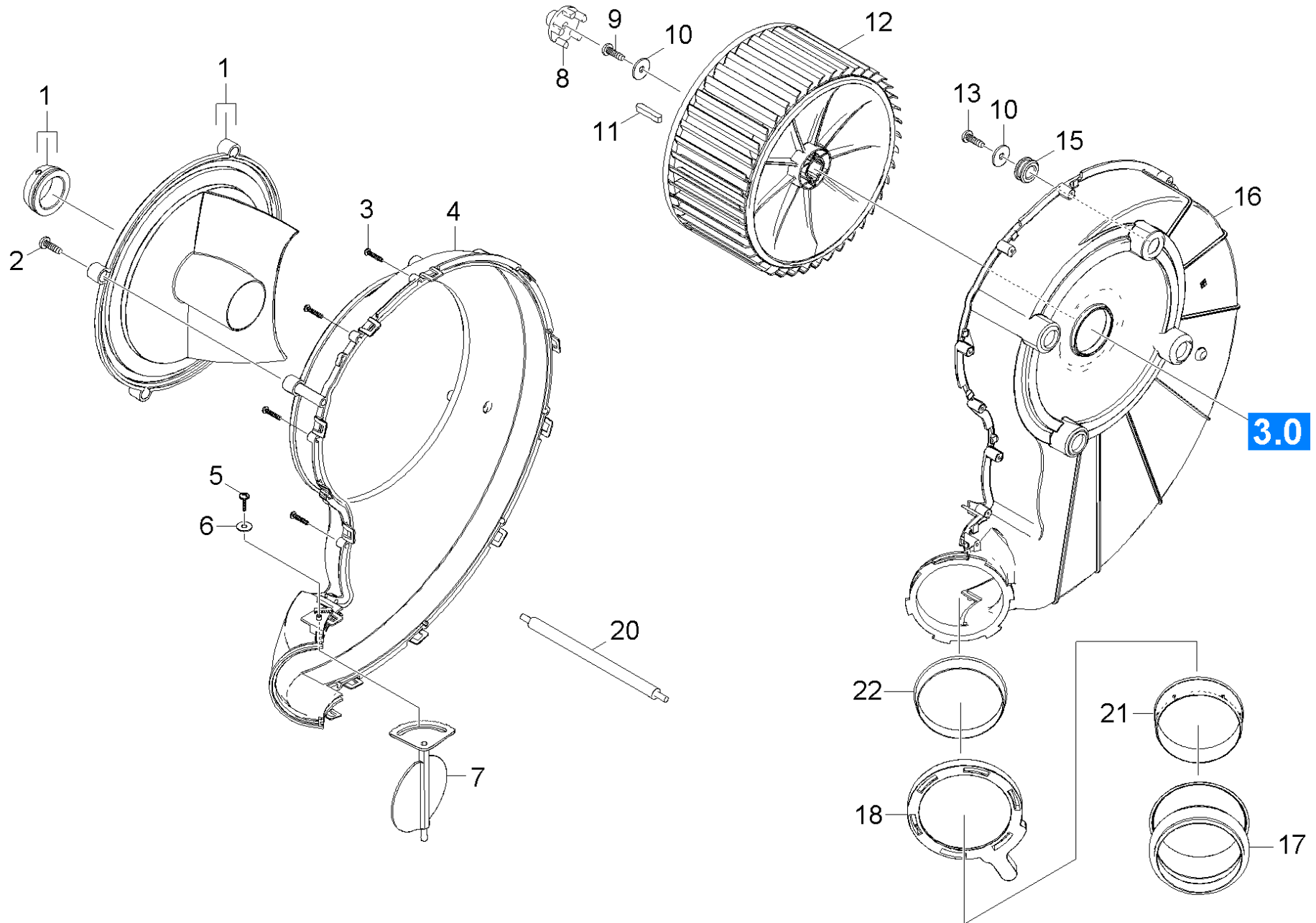
## 30 Motor

POS	Article no.	Description	Quantity	Unit	Foot note text
2	6.401-253.0	Ball bearing 6305-2Z	1.000	ST	
18	5.061-186.0	Bearing cover B	1.000	ST	
42	6.649-384.0	Cable 2x0,35 350mm	1.000	ST	
39	6.632-356.0	Contacteur LC1-D18 B7	1.000	ST	
41	5.064-226.0	Cover electric box	1.000	ST	
5	5.064-459.0	Cover grey	1.000	ST	
16	7.306-041.0	Cylinder head screw M8x20 -8.8-A2E ISO	1.000	ST	
40	2.885-054.0	Frame circuit board complete	1.000	ST	
23	7.373-022.0	Hose clip A-16-27x9 -W2-2 DIN3017	4.000	ST	
24	6.390-320.0	Hose DN 16	1.000	M	TO ORDER AS CUT GOODS
26	5.443-224.0	Hose stem	1.000	ZST	
31	5.061-319.0	Housing electric box	1.000	ST	
22	5.427-415.0	Manifold	2.000	ST	
28	5.427-432.0	Manifold	1.000	ST	
0	4.623-923.0	Motor complete only for replacement	1.000	ST	
19	5.802-288.0	Mounting part	4.000	ST	
36	5.802-261.0	Mounting part	1.000	ST	
25	5.310-061.0	Nut R 3/4"	1.000	ST	
9	6.362-028.0	O-Ring seal 11x2,2 NBR 70	1.000	ST	
27	6.362-078.0	O-Ring seal 13,3x2,4	1.000	ST	
21	6.362-579.0	O-Ring seal 17,5 X 3,5	4.000	ST	
7	6.362-722.0	O-Ring seal 28,0 X 3,0	1.000	ST	
17	7.318-035.0	Parallel key 8x7x25 -C45K DIN 6885-1	1.000	ST	
4	7.318-111.0	Parallel key A 6x6x36 -C45K DIN 6885-1	2.000	ST	
37	6.641-270.0	Plug	1.000	ST	
33	5.365-302.0	Profile gasket	1.000	ST	
11	7.367-009.0	Radial shaft seal ring A35x52x7-NBR DIN	1.000	ST	
10	5.767-005.0	Rubber buffer	4.000	ST	
38	7.303-106.0	Screw 4x12 -10.9-R2R (IN6RD)	2.000	ST	
30	7.303-086.0	Screw 5x30 -10.9-R2R (K-In6Rd)	2.000	ST	
35	7.303-086.0	Screw 5x30 -10.9-R2R (K-In6Rd)	8.000	ST	
34	6.303-153.0	Screw M5x15-ST-R2R (IN6RD)	3.000	ST	
8	5.411-100.0	Screw plug	1.000	ST	

## 30 Motor

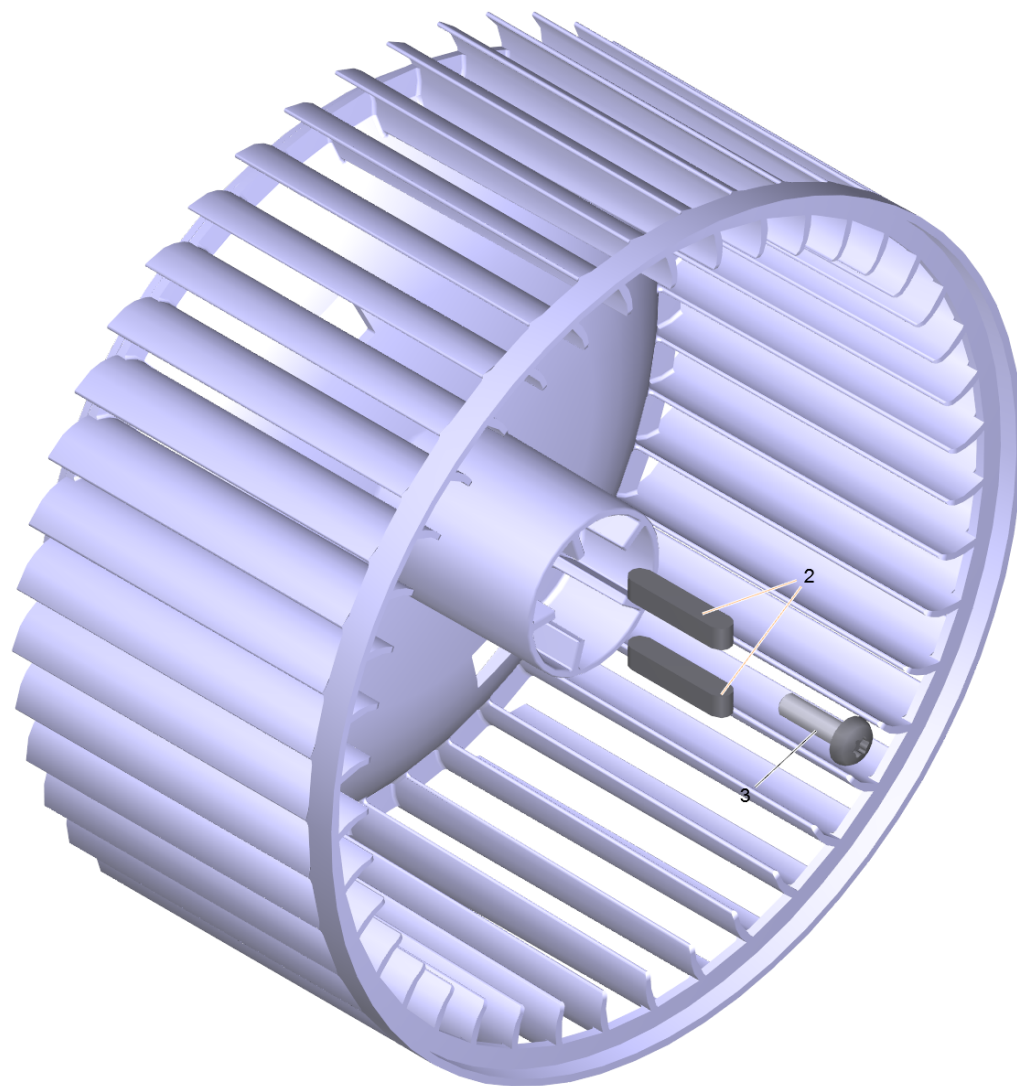
---

POS	Article no.	Description	Quantity	Unit	Foot note text
1	6.303-515.0	Self-tapping screw M6x25	4.000	ST	
20	5.110-341.0	Sleeve	2.000	ST	
29	6.414-141.0	Strainer	1.000	ST	
6	4.070-904.0	Tank only for replacement	1.000	ST	
12	6.401-225.3	Taper roller bearing 41	1.000	ST	
32	5.263-086.0	Tensioning part	1.000	ST	
3	6.343-010.0	Tolerance ring 62x10	1.000	ST	
15	7.312-159.0	Toothed lock washer A8,4-FST-PH DIN 679	1.000	ST	
14	5.115-565.0	Washer	1.000	ST	
13	5.120-402.0	Wobble plate	1.000	ST	



## 40 Blower

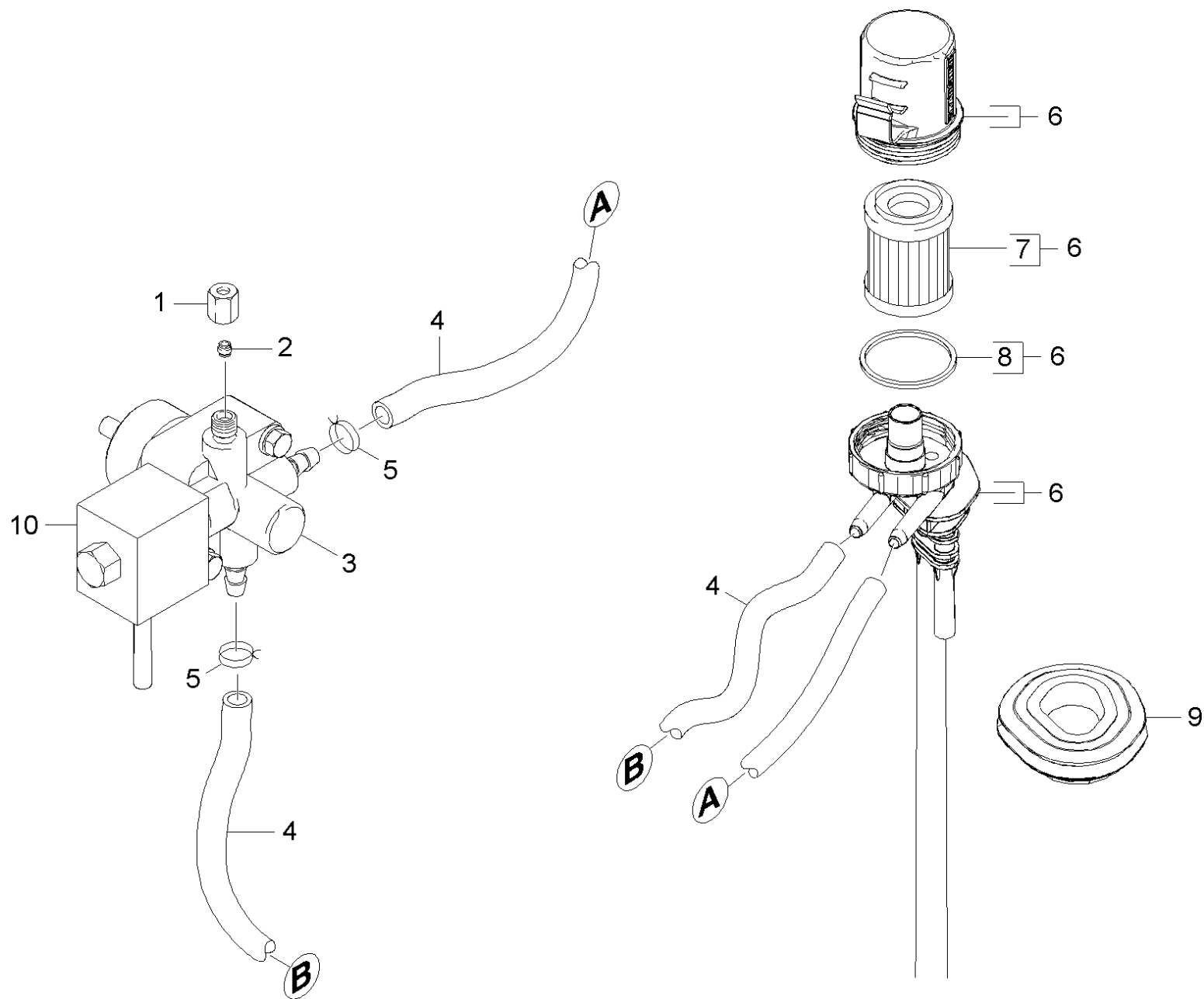
POS	Article no.	Description	Quantity	Unit
7	5.606-009.0	Air flap	1.000	ST
18	5.075-036.0	Closure	1.000	ST
12	2.641-430.0	Conversion kit blower wheel	1.000	ST
8	5.471-097.0	Coupler fuel pump	1.000	ST
4	5.064-238.0	Cover blower	1.000	ST
1	5.064-266.0	Cover blower internal part	1.000	ST
20	5.043-056.0	Holder	1.000	ST
16	5.605-307.0	Housing	1.000	ST
11	7.318-032.0	Parallel key 6x6x32-C45K DIN 6885	2.000	ST
15	5.379-019.0	Rubber ring	4.000	ST
2	7.303-129.0	Screw 4x16 -10.9-R2R (K-In6Rd)	4.000	ST
3	7.303-084.0	Screw 4x25 -10.9-R2R (K-In6Rd)	14.000	ST
5	7.303-107.0	Screw 5x16 -10.9-P2R (K-In6Rd)	1.000	ST
13	7.303-048.0	Screw M6x20 -St-R3R (In6Rd)	4.000	ST
9	6.304-145.0	Screw M 6X20-R3R (IN6RD)	1.000	ST
17	5.195-252.0	Seal air circulation	1.000	ST
21	5.263-094.0	Tensioning part air circulation	1.000	ST
22	5.263-096.0	Tensioning part air circulation	1.000	ST
6	7.312-278.0	Washer 5-200HV-A2E ISO7093-1	1.000	ST
10	7.312-260.0	Washer 6 -100HV-A3E ISO 7094	5.000	ST



## 12 Conversion kit blower wheel (2.641-430.0)

---

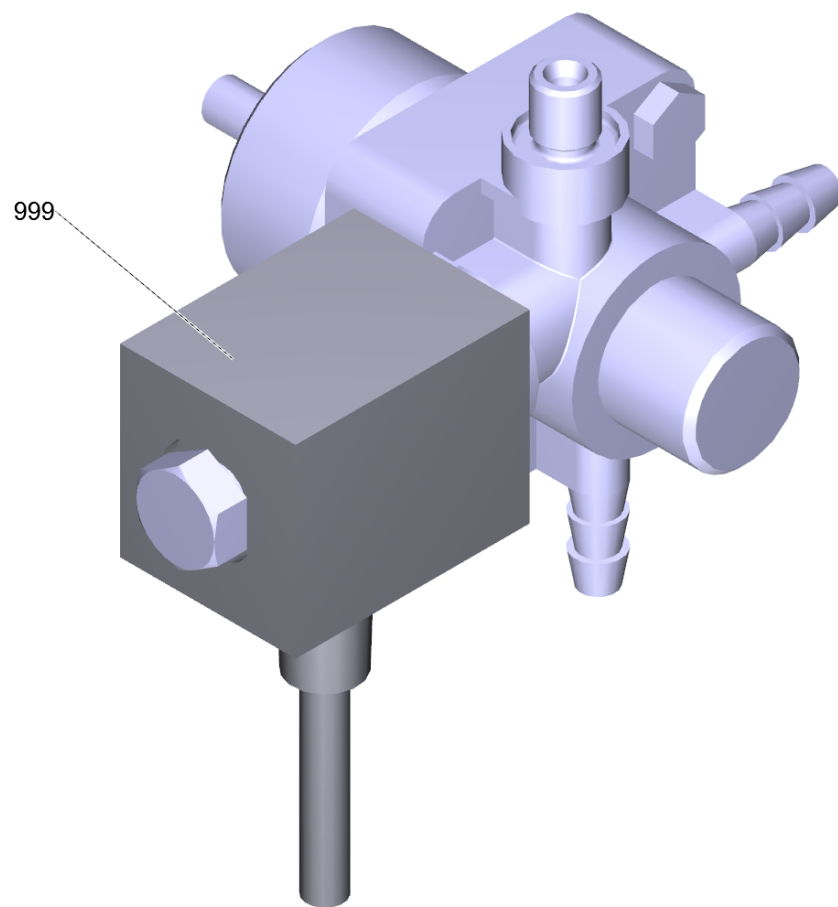
<b>POS</b>	<b>Article no.</b>	<b>Description</b>	<b>Quantity</b>	<b>Unit</b>
2	7.318-111.0	Parallel key A 6x6x36 -C45K DIN 6885-1	2.000	ST
3	6.304-145.0	Screw M 6X20-R3R (IN6RD)	1.000	ST





## 50 Fuel pump and filter

POS	Article no.	Description	Quantity	Unit	Foot note text
10	6.473-554.0	Coil Brennstoffpumpe	1.000	ST	
2	6.389-263.0	Cutting ring d.4	1.000	ST	
6	4.730-167.3	Filter complete	1.000	ST	
7	6.414-559.0	Filter fuel	1.000	ST	
3	4.473-032.0	Fuel pump only for replacement	1.000	ST	
4	6.391-820.0	Hose	1.000	M	TO ORDER AS CUT GOODS
5	6.388-559.0	Hose clip	2.000	ST	
9	5.365-290.0	Rubber bushing fuel	1.000	ST	
8	5.363-629.0	Seal	1.000	ST	
1	6.389-262.0	Union nut A 4-LL	1.000	ST	



3 Fuel pump only for replacement (4.473-032.0)

---

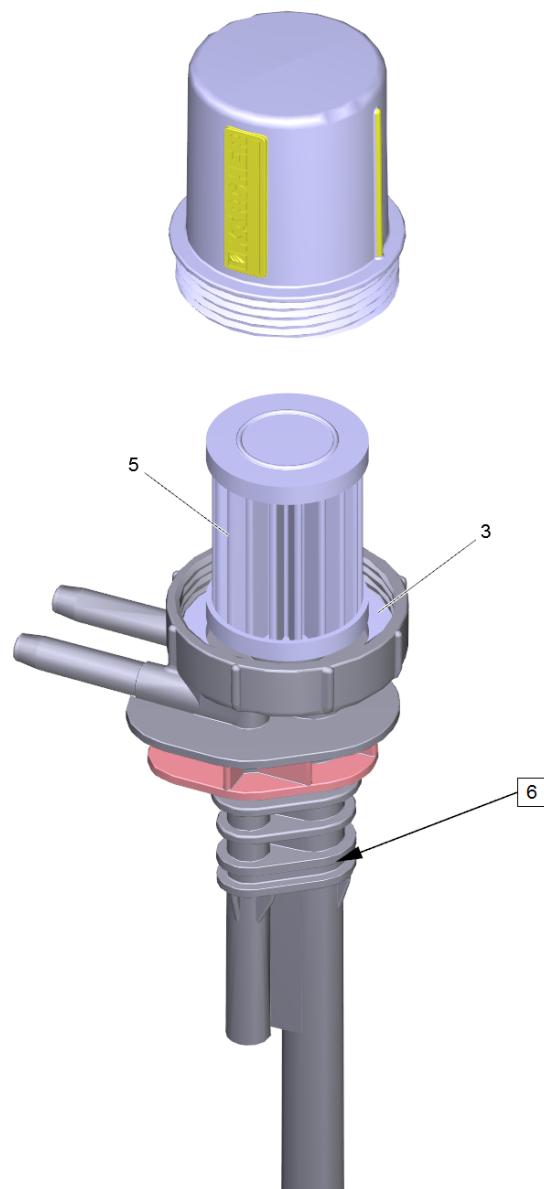
<b>POS</b>	<b>Article no.</b>	<b>Description</b>	<b>Quantity</b>	<b>Unit</b>
999	6.473-554.0	Coil Brennstoffpumpe	1.000	ST

---

6 Filter complete (4.730-167.3)

---

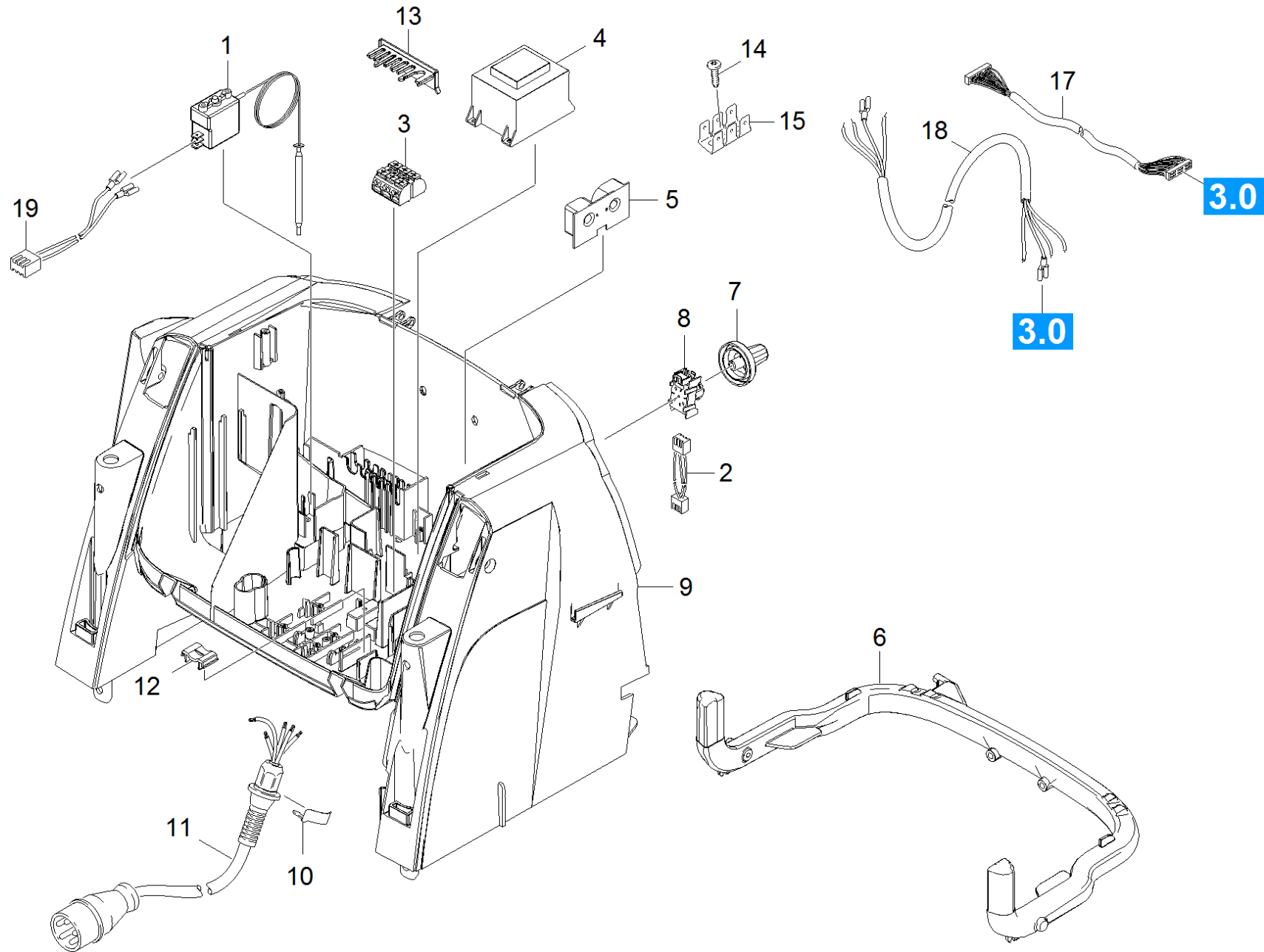
POS	Article no.	Description	Quantity	Unit
1	4.730-167.0	Filter complete	1.000	ST



1 Filter complete (4.730-167.0)

---

<b>POS</b>	<b>Article no.</b>	<b>Description</b>	<b>Quantity</b>	<b>Unit</b>
5	6.414-559.0	Filter fuel	1.000	ST
6	6.362-079.0	O-Ring seal 18,0 X 2,5	1.000	ST
3	5.363-629.0	Seal	1.000	ST



## 60 Electric control box

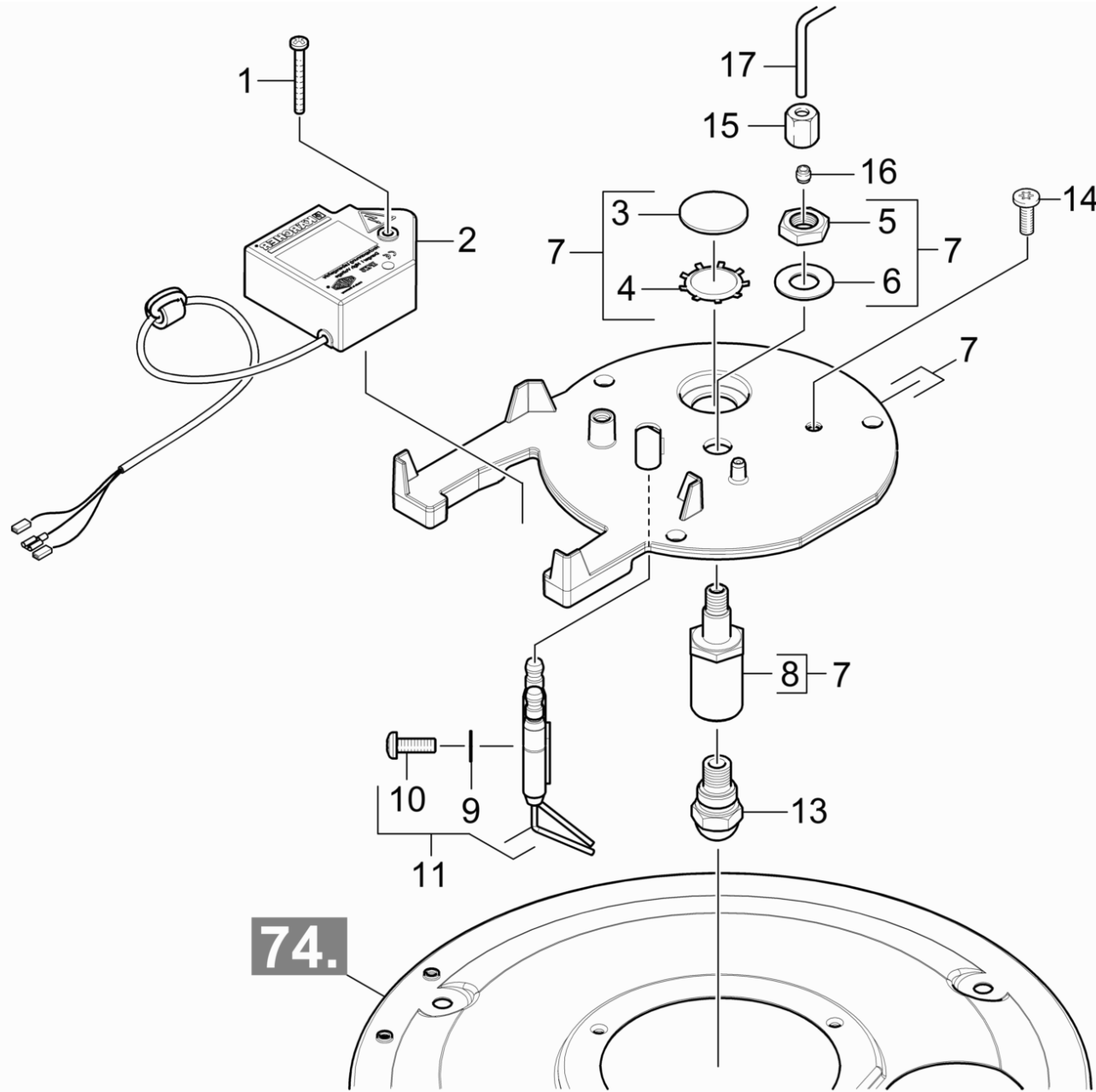
POS	Article no.	Description	Quantity	Unit
2	5.820-088.0	Cable	1.000	ST
19	6.649-383.0	Cable 2x0,35 700mm	1.000	ST
18	6.649-340.0	Cable 4x1,5	1.000	ST
11	6.649-379.3	Cable with plug 4x1,5mm <sup>2</sup>	1.000	ST
5	6.682-881.0	Circuit board current transformer	1.000	ST
17	2.885-110.0	Control cable complete only for replacem	1.000	ST
4	6.622-283.3	Control transformer	1.000	ST
7	5.324-172.0	Handle qusty grey RAL 7037	1.000	ST
12	5.802-307.0	Holder cable	1.000	ST
10	6.343-186.0	Locking ring	1.000	ST
9	5.801-153.0	Mounting plate	1.000	ST
15	6.641-270.0	Plug	1.000	ST
6	5.033-111.0	Profile	1.000	ST
14	7.303-106.0	Screw 4x12 -10.9-R2R (IN6RD)	1.000	ST
8	6.630-423.0	Switch service	1.000	ST
13	5.263-086.0	Tensioning part	1.000	ST
3	6.644-364.0	Terminal clamp four-core triple-pole	1.000	ST
1	4.686-029.0	Thermostat only for replacement	1.000	ST



## 70 Flow heater

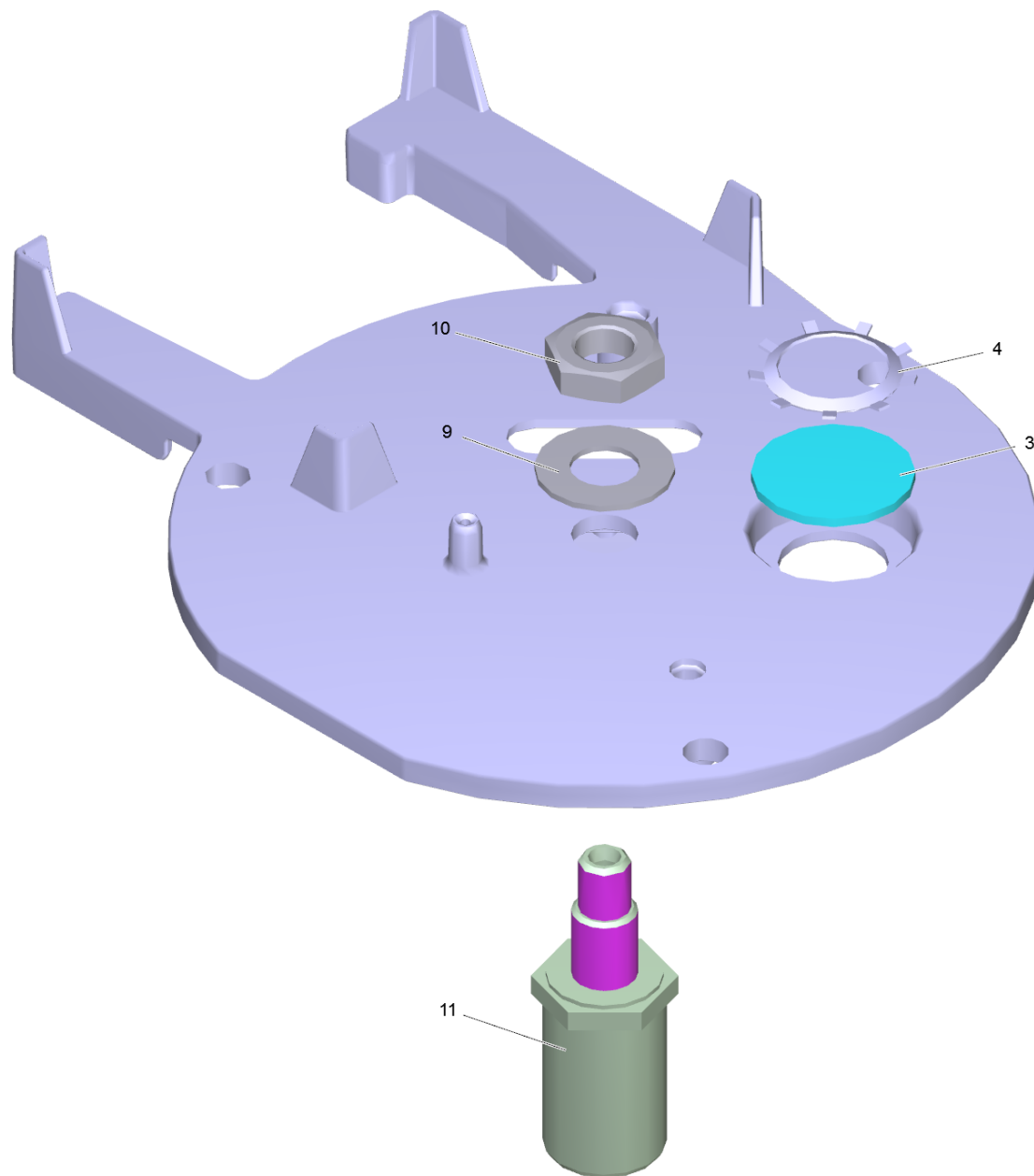
---

<b>POS</b>	<b>Description</b>	<b>Quantity</b>	<b>Unit</b>
75	Burner bottom	1.000	ST
72	Burner cover	1.000	ST
74	Heating coil	1.000	ST



## 72 Burner cover

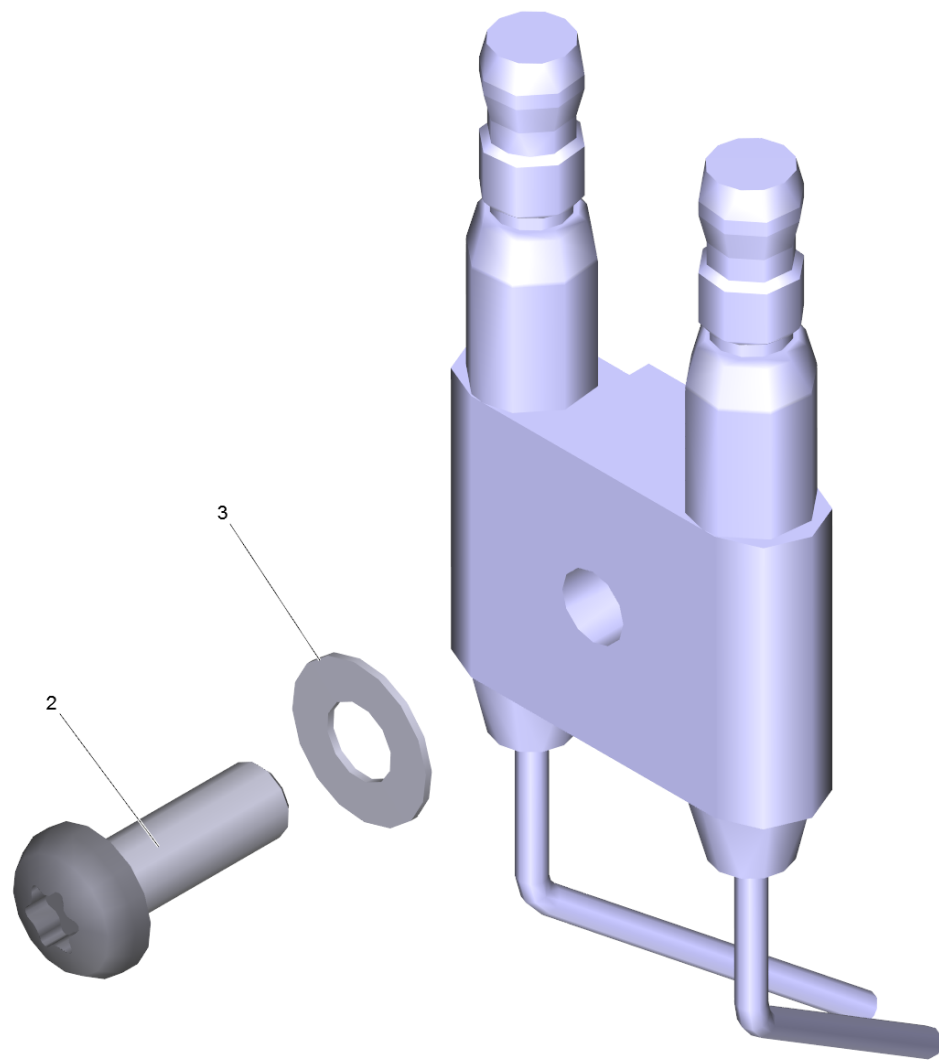
POS	Article no.	Description	Quantity	Unit	Foot note text
17	5.423-008.0	Conduit fuel	1.000	ST	VERSION 2
11	2.638-974.0	Conversion kit ignition electrode	1.000	ST	
7	4.654-288.0	Cover pressure boiler only for replaceme	1.000	ST	
16	6.389-263.0	Cutting ring d.4	1.000	ST	
3	6.278-018.0	Glass pane	1.000	ST	
5	7.311-101.0	Hexagon nut M10x1 -04-A2E ISO 8675	1.000	ST	
2	4.622-038.0	Ignition transformer only for replacemen	1.000	ST	
13	6.415-641.0	Nozzle	1.000	ST	
8	5.667-055.0	Nozzle holder	1.000	ST	
14	7.303-038.0	Screw M5x12 -St-P2R (In6Rd)	3.000	ST	
10	7.306-217.0	Screw M5x14 -8.8-R2R (In6Rd)	1.000	ST	
1	7.303-240.0	Screw M5x40-ST-A2E (IN6RD)	1.000	ST	
4	6.343-165.0	Serrated ring	1.000	ST	
9	7.312-304.0	Spring washer B 5-FST-A2E DIN 137	1.000	ST	
6	7.312-302.0	Spring washer B10-FST-A2E DIN 137	1.000	ST	
15	6.389-262.0	Union nut A 4-LL	1.000	ST	



7 Cover pressure boiler only for replaceme (4.654-288.0)

---

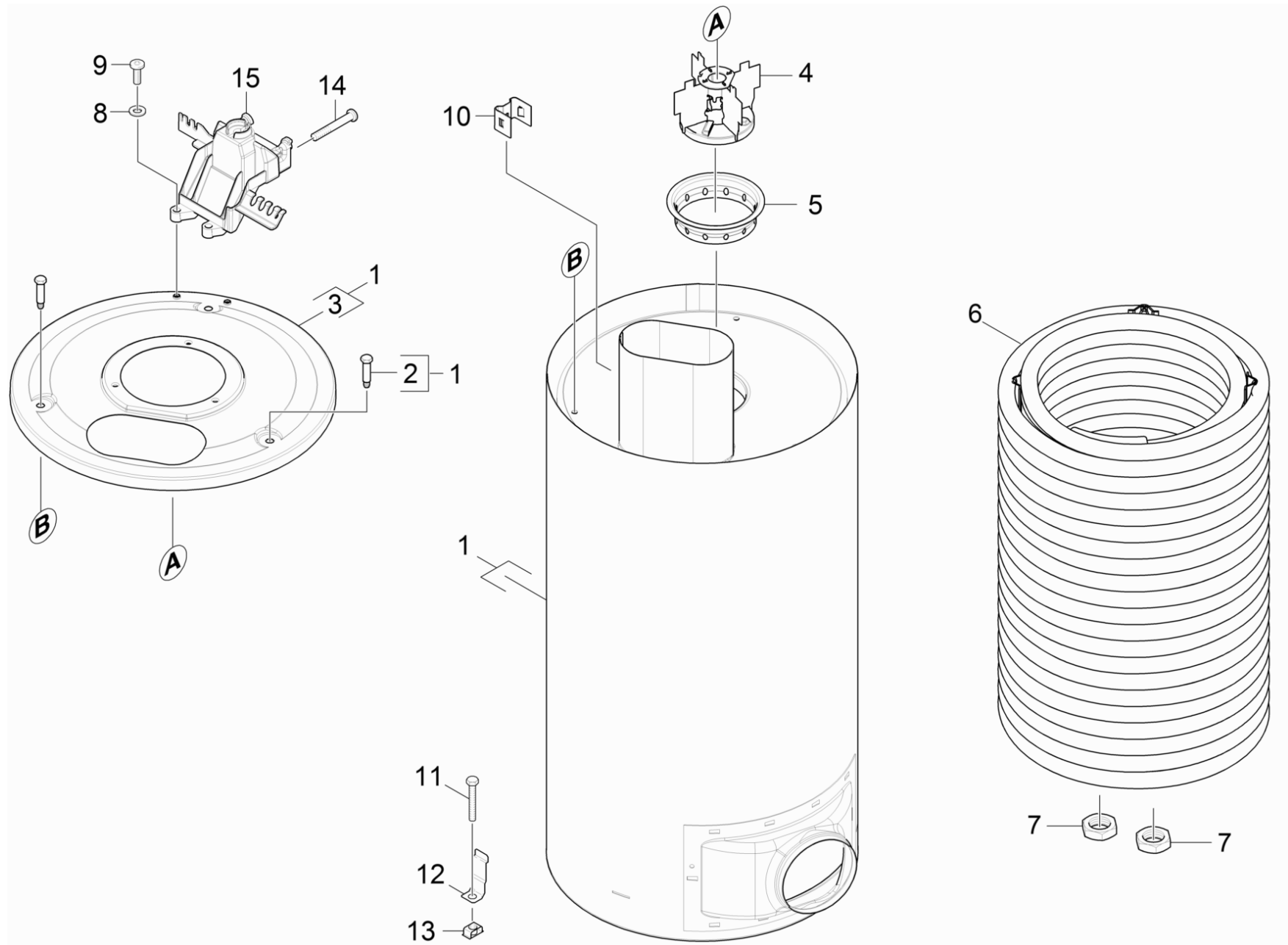
<b>POS</b>	<b>Article no.</b>	<b>Description</b>	<b>Quantity</b>	<b>Unit</b>
3	6.278-018.0	Glass pane	1.000	ST
10	7.311-101.0	Hexagon nut M10x1 -04-A2E ISO 8675	1.000	ST
11	5.667-055.0	Nozzle holder	1.000	ST
4	6.343-165.0	Serrated ring	1.000	ST
9	7.312-302.0	Spring washer B10-FST-A2E DIN 137	1.000	ST



## 11 Conversion kit ignition electrode (2.638-974.0)

---

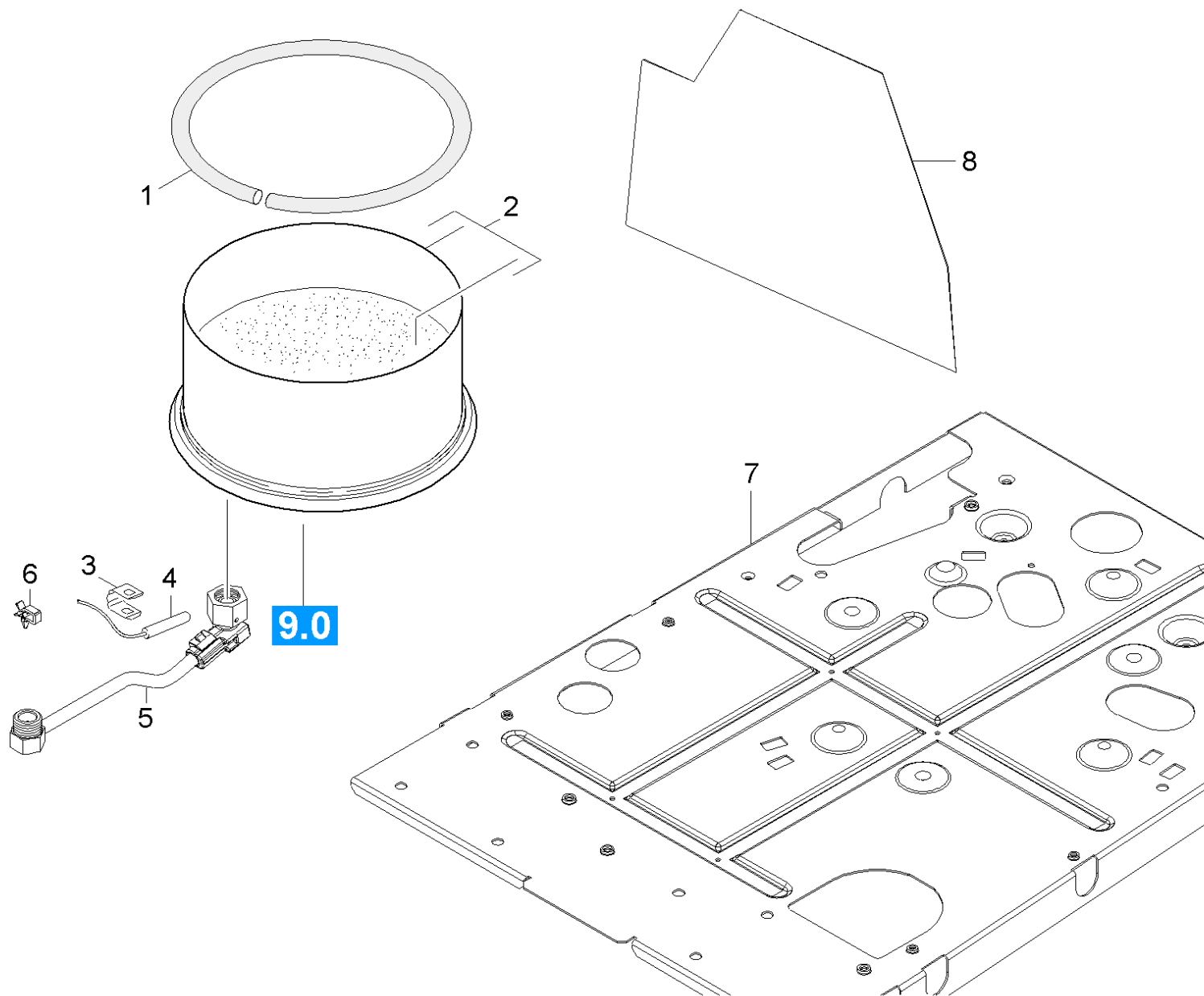
<b>POS</b>	<b>Article no.</b>	<b>Description</b>	<b>Quantity</b>	<b>Unit</b>
2	7.306-217.0	Screw M5x14 -8.8-R2R (In6Rd)	1.000	ST
3	7.312-304.0	Spring washer B 5-FST-A2E DIN 137	1.000	ST





## 74 Heating coil

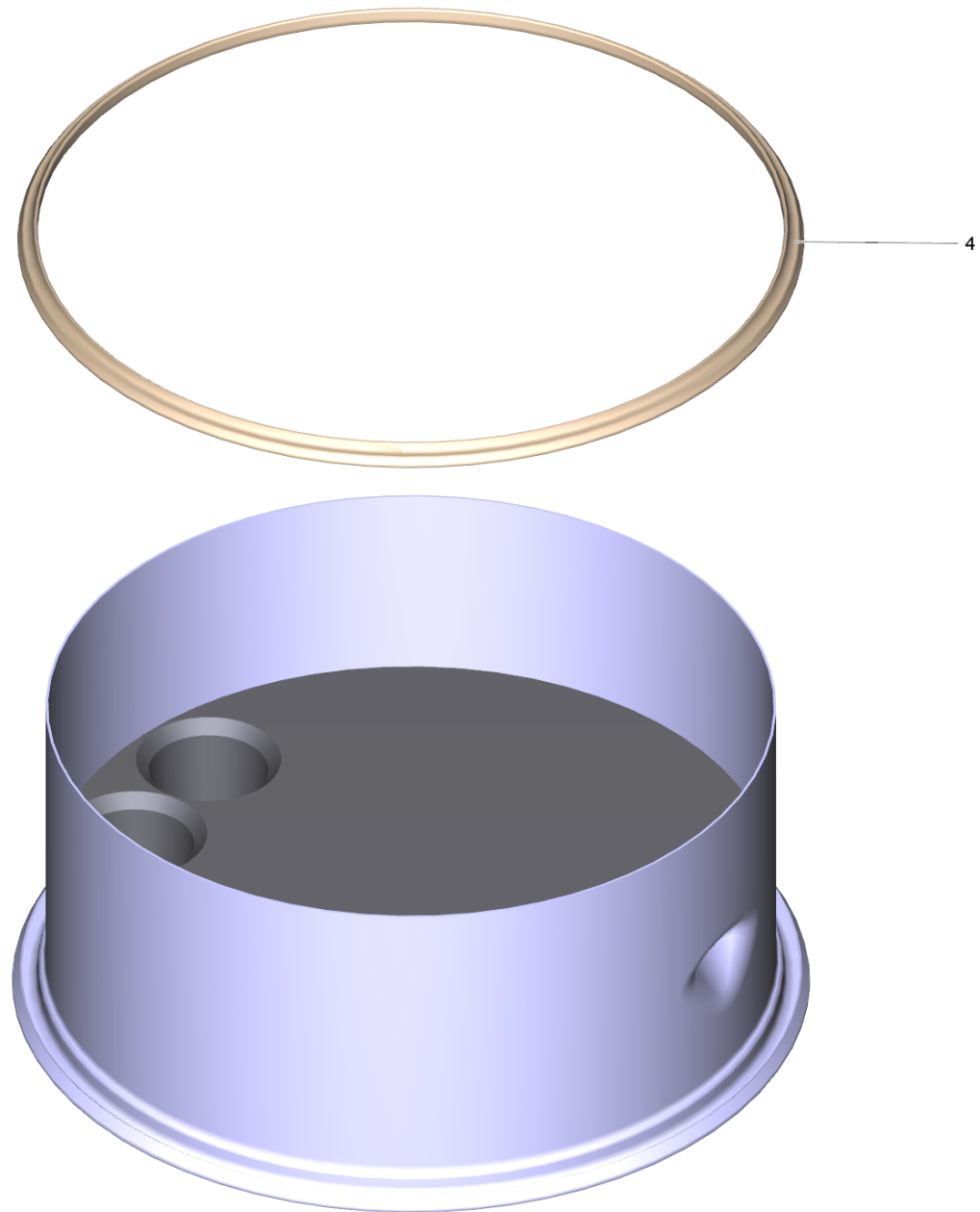
POS	Article no.	Description	Quantity	Unit	Foot note text
4	4.663-073.0	Baffle plate complete	1.000	ST	
13	6.310-081.0	Cage nut M 8	3.000	ST	
3	5.654-051.0	Cover pressure boiler	1.000	ST	
5	5.664-256.0	Flame tube	1.000	ST	
6	4.680-135.0	Heating coil	1.000	ST	
6	4.680-114.0	Heating coil VA	1.000	ST	STAINLESS STEEL CONSTRUCTION
11	7.304-051.0	Hexagonal head screw M 8x16-8.8-P2R EN	3.000	ST	
7	7.311-112.0	Hexagon nut M22X1,5 -22H-A2E DIN 936	2.000	ST	
12	5.044-420.0	Holder	3.000	ST	
15	5.412-001.0	Holder Kessel ovale Heizschlange	1.000	ST	VERSION 2
10	5.034-834.0	Holder probe	1.000	ST	
14	7.303-111.0	Screw 5x50 -10.9-R2R (K-In6Rd)	2.000	ST	
9	6.303-320.0	Screw M 5x 20-St-R2R	2.000	ST	
2	6.303-258.0	Self-tapping screw	3.000	ST	
1	4.652-004.0	Vessel mantel complete	1.000	ST	VERSION 2
8	7.312-278.0	Washer 5-200HV-A2E ISO7093-1	2.000	ST	



## 75 Burner bottom

---

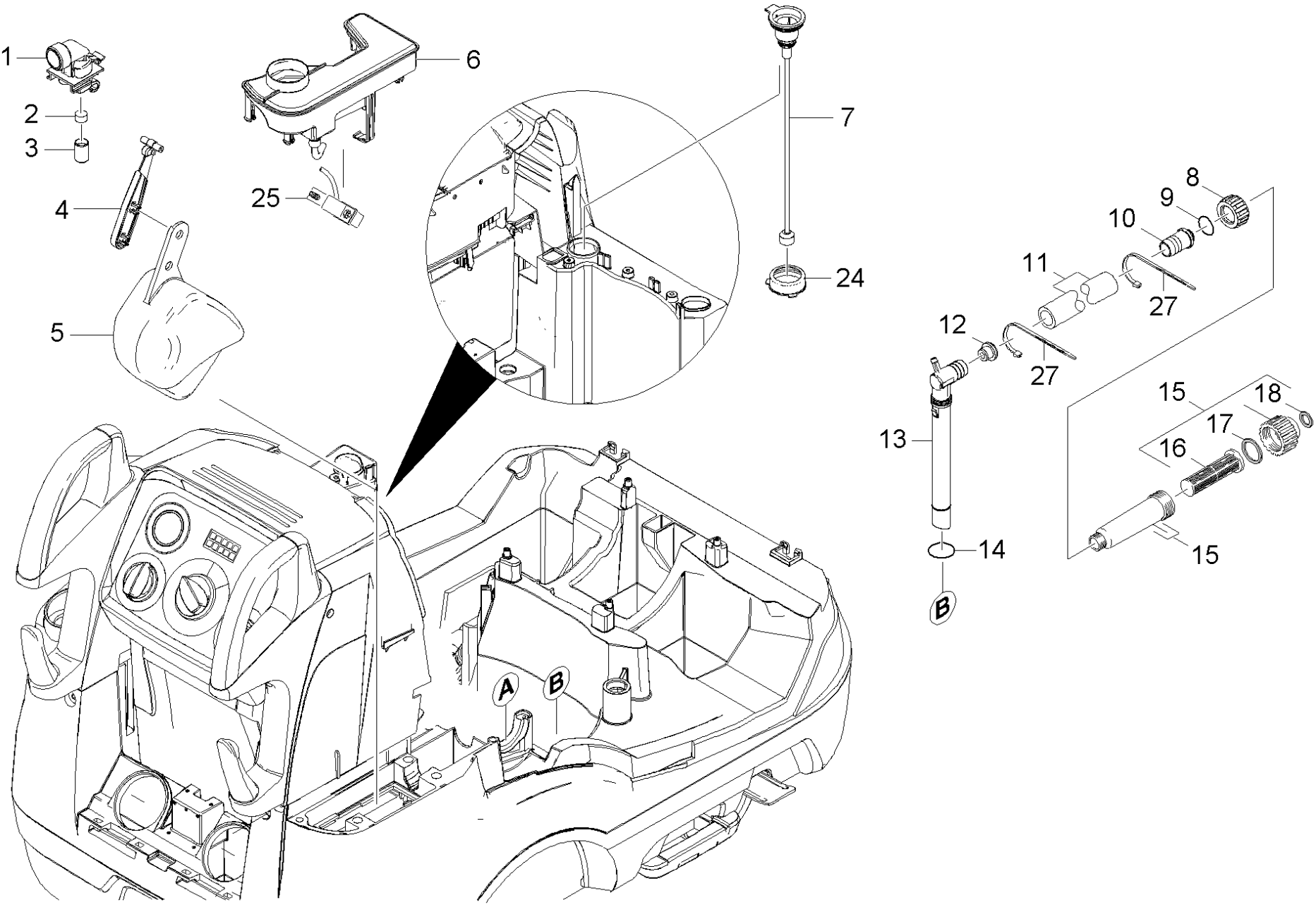
<b>POS</b>	<b>Article no.</b>	<b>Description</b>	<b>Quantity</b>	<b>Unit</b>
7	5.051-114.0	Base plate boiler	1.000	ST
2	4.655-044.0	Bottom pressure boiler	1.000	ST
6	6.970-929.0	Clip	1.000	ST
8	5.424-142.0	Foil shield	1.000	ST
5	4.422-118.0	Pipelines	1.000	ST
1	6.366-009.0	Seal string	1.000	ST
3	5.263-064.0	Tensioning part	1.000	ST
4	4.686-031.0	Thermostat only for replacement	1.000	ST



2 Bottom pressure boiler (4.655-044.0)

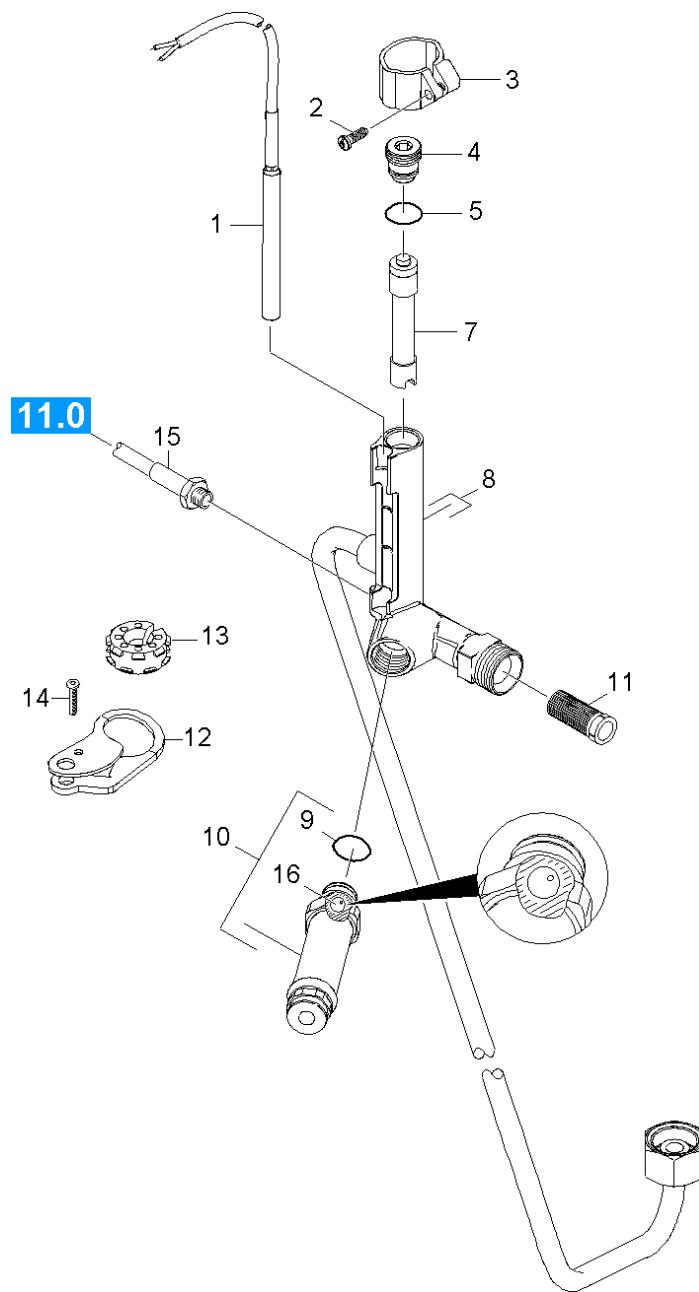
---

<b>POS</b>	<b>Article no.</b>	<b>Description</b>	<b>Quantity</b>	<b>Unit</b>
6	6.869-024.0	Quick-bonding agent	0.004	ZST
4	6.366-009.0	Seal string	1.000	ST



## 80 Float valve

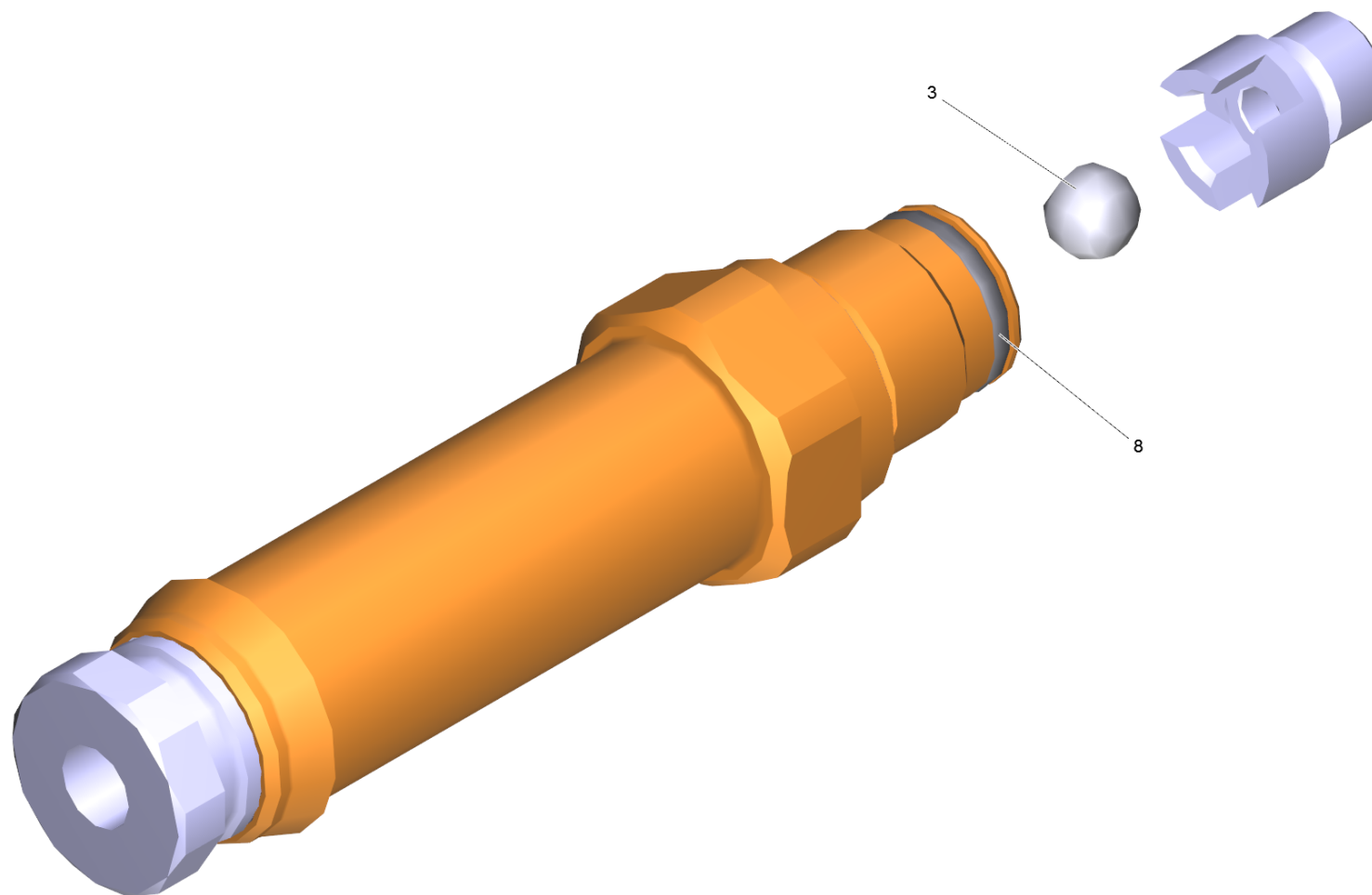
POS	Article no.	Description	Quantity	Unit
12	5.112-193.0	Bush	1.000	ST
27	6.641-474.0	Cable tape 8-210	2.000	ST
13	5.443-553.0	Connection piece	1.000	ST
2	5.364-095.0	Flat gasket	1.000	ST
5	5.585-030.0	Float	1.000	ST
19	7.373-022.0	Hose clip A-16-27x9 -W2-2 DIN3017	2.000	ST
10	5.443-211.0	Hose stem	1.000	ST
7	4.747-097.0	Level probe -nur für Ersatz-	1.000	ST
4	5.481-256.0	Lever	1.000	ST
8	5.310-167.0	Nut G 3/4"	1.000	ST
9	6.362-078.0	O-Ring seal 13,3x2,4	1.000	ST
14	6.362-161.0	O-Ring seal 19,3 X 2,4	1.000	ST
11	6.392-258.0	Piece of tube 19x4x280	1.000	ST
24	5.365-289.0	Rubber bushing transmitter feeder	1.000	ST
17	5.363-336.0	Seal	1.000	ST
18	5.363-545.0	Seal	1.000	ST
25	4.686-030.0	Solenoid valve only for replacement	1.000	ST
6	4.070-658.3	Tank complete	1.000	ST
1	5.587-214.0	Valve housing	1.000	ST
3	5.584-085.0	Valve pin	1.000	ST
16	5.731-587.0	Water filter	1.000	ST
15	4.730-168.3	Water filter complete	1.000	ST





## 90 Safety system

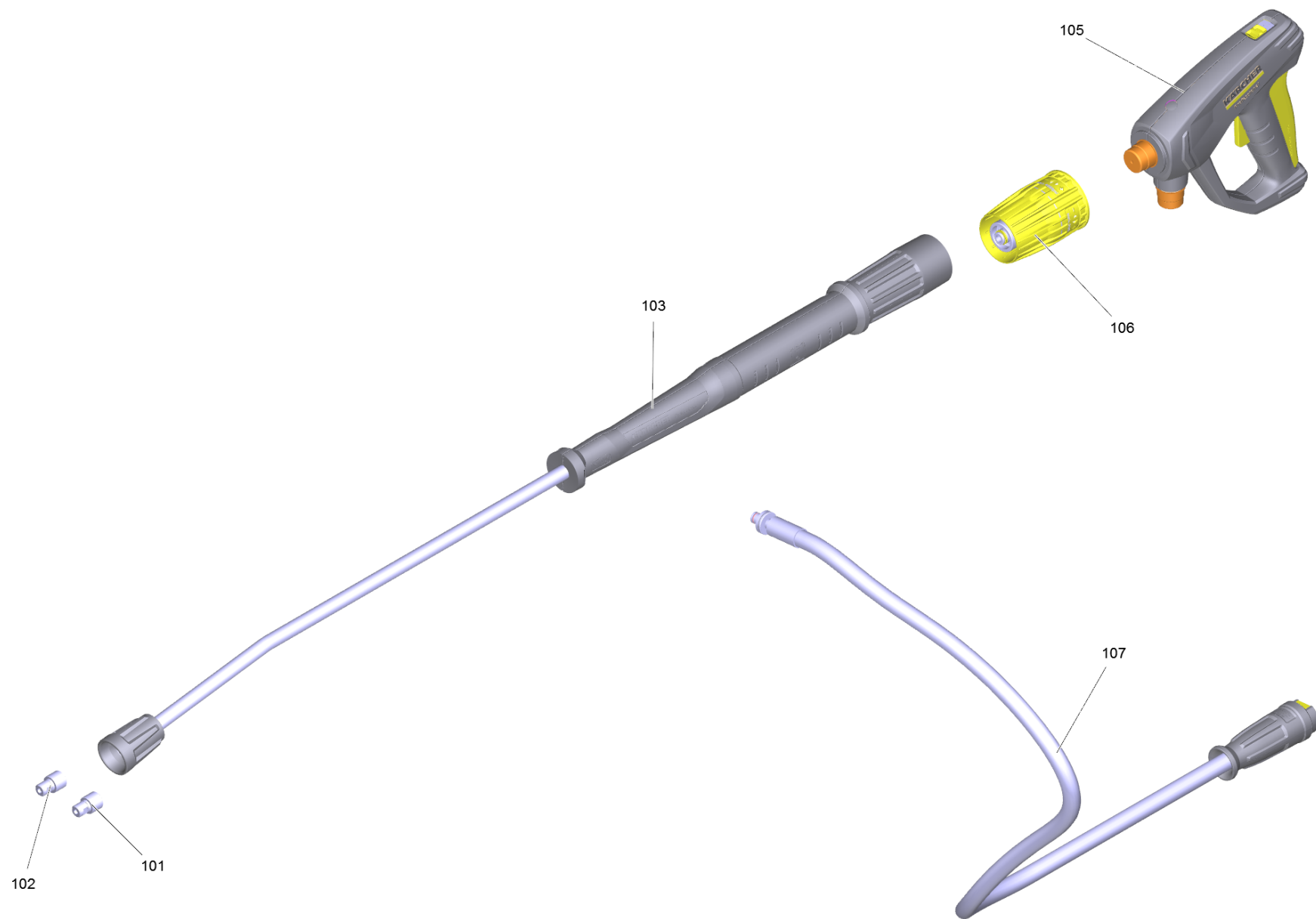
POS	Article no.	Description	Quantity	Unit
7	4.551-058.0	Cartridge protection against water short	1.000	ST
3	5.041-076.0	Clamp	1.000	ST
15	6.389-811.0	High pressure hose	1.000	ST
12	5.378-150.0	Holder pipe	1.000	ST
2	6.303-122.0	M4 .2X13 DIN 7981 TORX T15 PAN HD HI/LO	1.000	ST
8	4.427-040.0	Manifold complete screw plug	1.000	ST
5	6.362-482.0	O-Ring seal 10 x 1,5-NBR 70	1.000	ST
9	6.362-845.0	O-Ring seal 10,82x 1,78	1.000	ST
1	2.885-051.0	Reed switch replacement	1.000	ST
13	5.767-023.0	Rubber buffer	1.000	ST
10	4.580-709.0	Safety valve complete replacement	1.000	ST
14	7.303-108.0	Screw 5x20 -10.9-R2R (In6Rd)	1.000	ST
4	5.305-162.0	Shaped screw	1.000	ST
16	6.401-429.0	Sphere polyamide 8mm	1.000	ST
11	6.414-566.0	Strainer WMS	1.000	ST



## 10 Safety valve complete replacement (4.580-709.0)

---

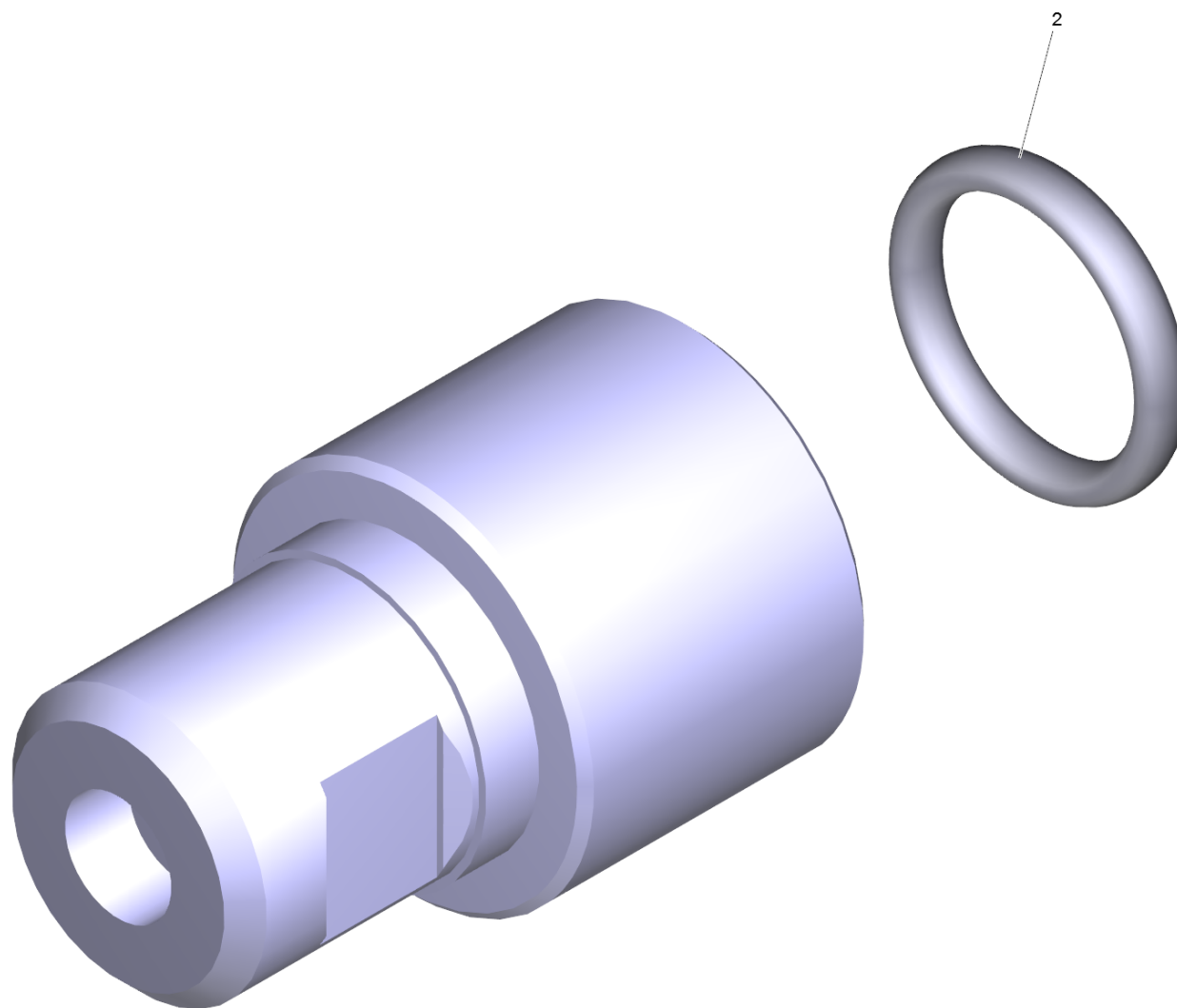
<b>POS</b>	<b>Article no.</b>	<b>Description</b>	<b>Quantity</b>	<b>Unit</b>
8	6.362-845.0	O-Ring seal 10,82x 1,78	1.000	ST
3	6.401-429.0	Sphere polyamide 8mm	1.000	ST



## 100 Accessories

---

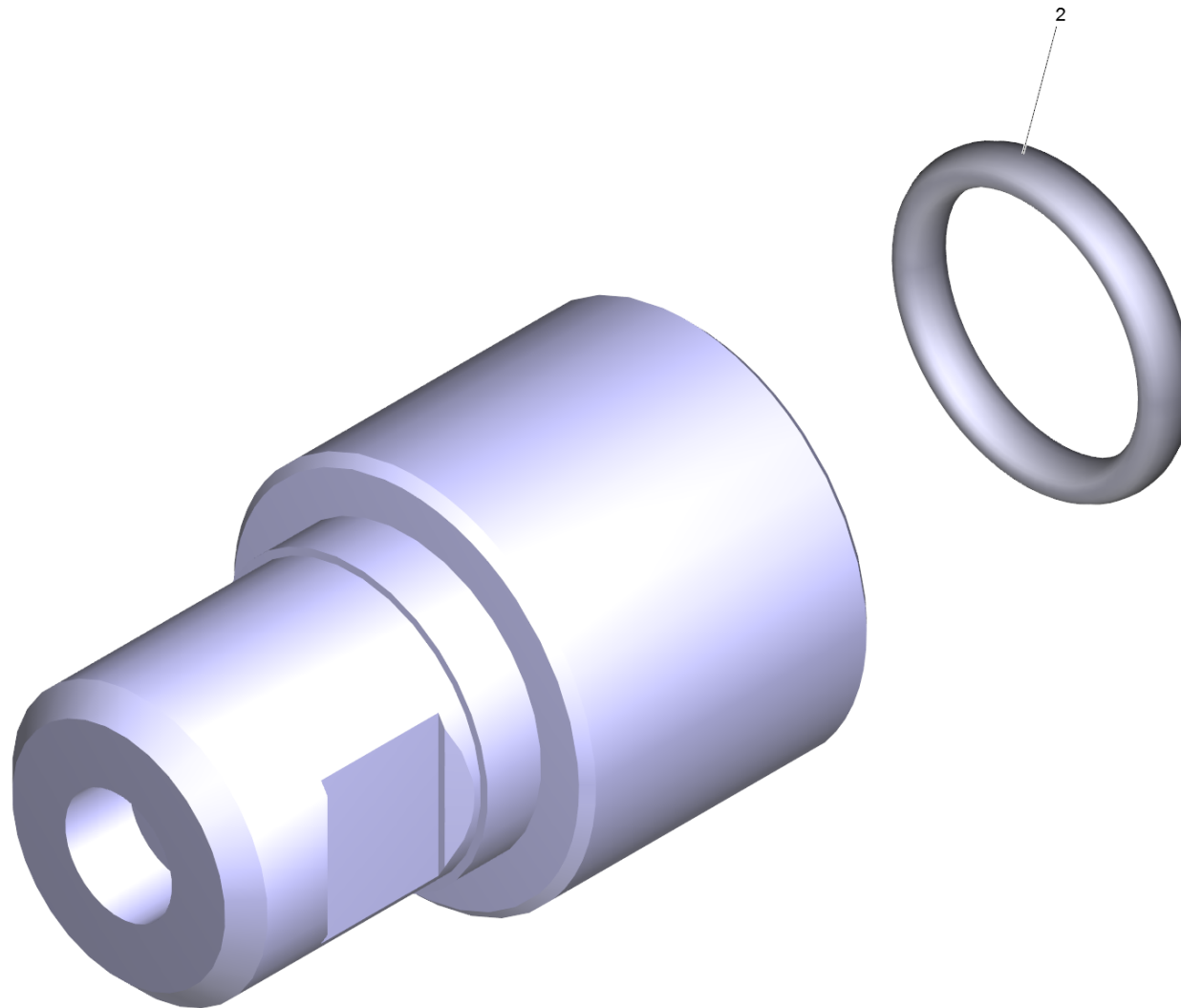
<b>POS</b>	<b>Article no.</b>	<b>Description</b>	<b>Quantity</b>	<b>Unit</b>
105	4.118-005.0	EASY!Force Advanced	1.000	ST
107	6.110-028.0	Hose assembly TR rotatable DN8 40MPa 20m	1.000	ST
103	4.112-000.0	Jet pipe TR 1050 mm	1.000	ST
101	2.113-011.0	Power nozzle TR 25054	1.000	ST
106	4.118-008.0	Rotary controller TR 416L	1.000	ST
102	2.114-006.0	Steam nozzle TR 40070	1.000	ST



101 Power nozzle TR 25054 (2.113-011.0)

---

<b>POS</b>	<b>Article no.</b>	<b>Description</b>	<b>Quantity</b>	<b>Unit</b>
2	2.880-001.0	Spare part set seals TR	1.000	ST





102 Steam nozzle TR 40070 (2.114-006.0)

---

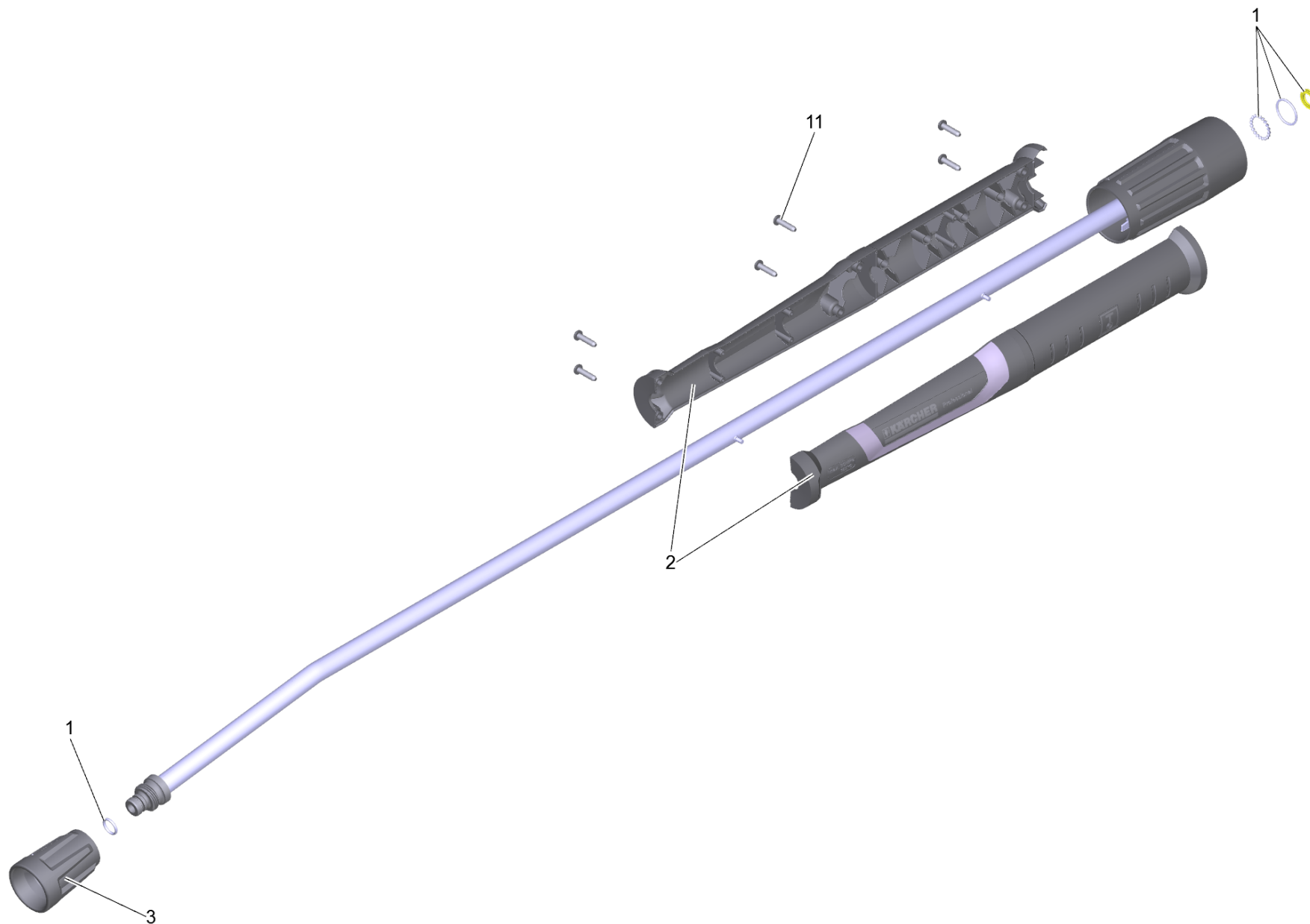
POS	Article no.	Description	Quantity	Unit
2	2.880-001.0	Spare part set seals TR	1.000	ST

103 Jet pipe TR 1050 mm (4.112-000.0)

---

POS	Description	Quantity	Unit
1	Jet pipe TR 1050 mm	1.000	ST

---



## 1 Jet pipe TR 1050 mm

---

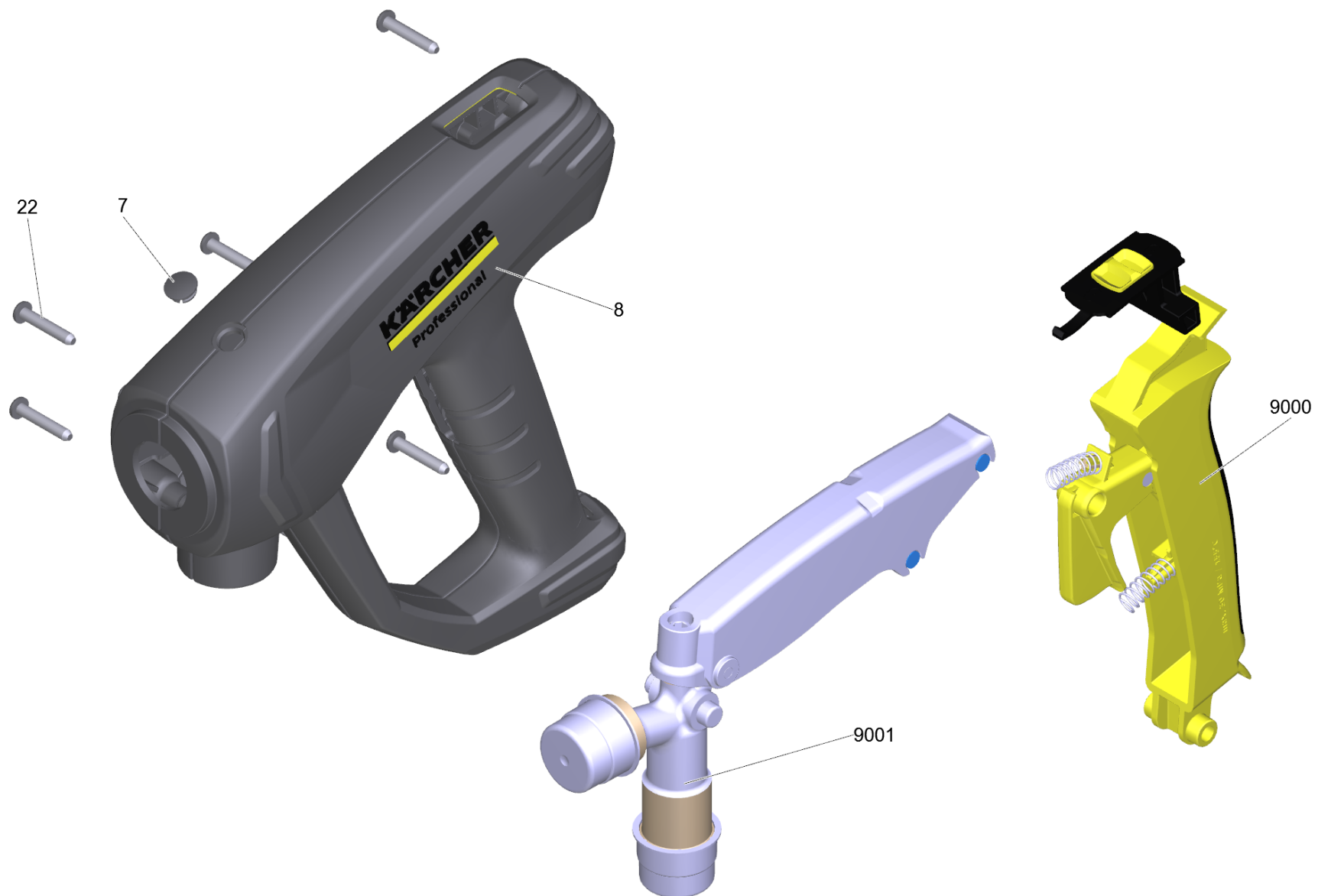
<b>POS</b>	<b>Article no.</b>	<b>Description</b>	<b>Quantity</b>	<b>Unit</b>
2	5.321-018.3	Handle bowl jet pipe only for replacemen	1.000	ST
3	4.112-011.0	Protection part TR only for replacement	1.000	ST
11	7.303-129.0	Screw 4x16 -10.9-R2R (K-In6Rd)	6.000	ST
1	4.100-688.0	Spare part set seal TR	1.000	ST

105 EASY!Force Advanced (4.118-005.0)

---

POS	Description	Quantity	Unit
1	Hand trigger gun TR EH 155	1.000	ST

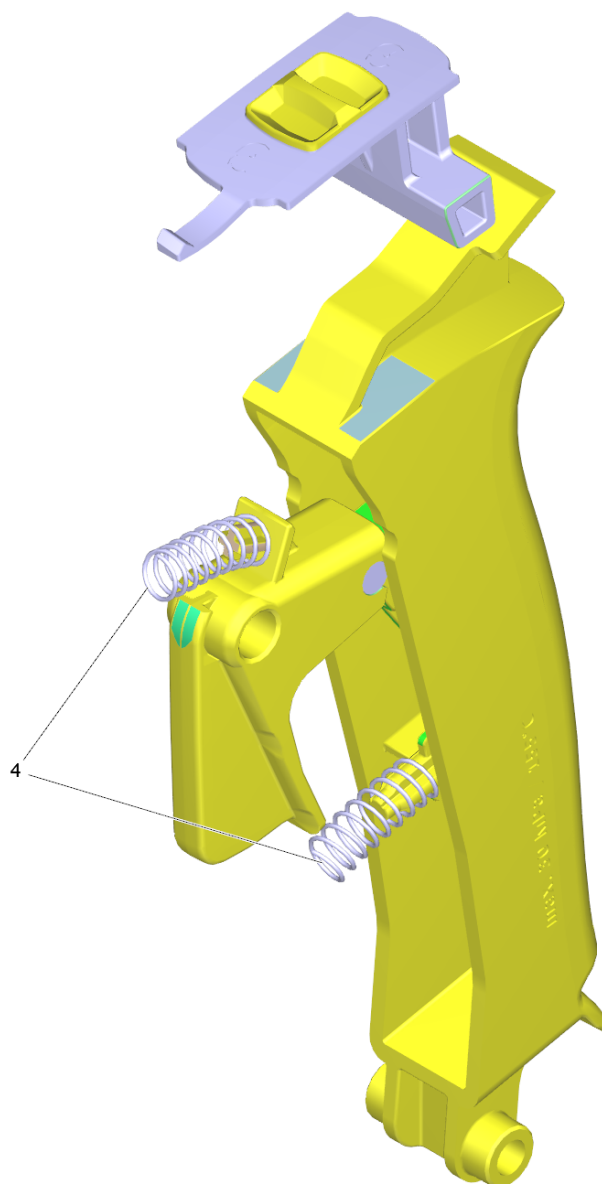
---



## 1 Hand trigger gun TR EH 155

---

<b>POS</b>	<b>Article no.</b>	<b>Description</b>	<b>Quantity</b>	<b>Unit</b>
8	5.321-136.3	Handhold few EH 155 only for replacement	1.000	ST
9001	4.427-014.0	Manifold TR EH 155 nur fuer Ersatz	1.000	ST
7	5.132-001.0	Plug	1.000	ST
22	7.303-096.0	Screw 4x22 -ST-10.9-R2R (IN6RD)	7.000	ST
9000	2.885-483.0	Spare part set lever	1.000	ST





9000 Spare part set lever (2.885-483.0)

---

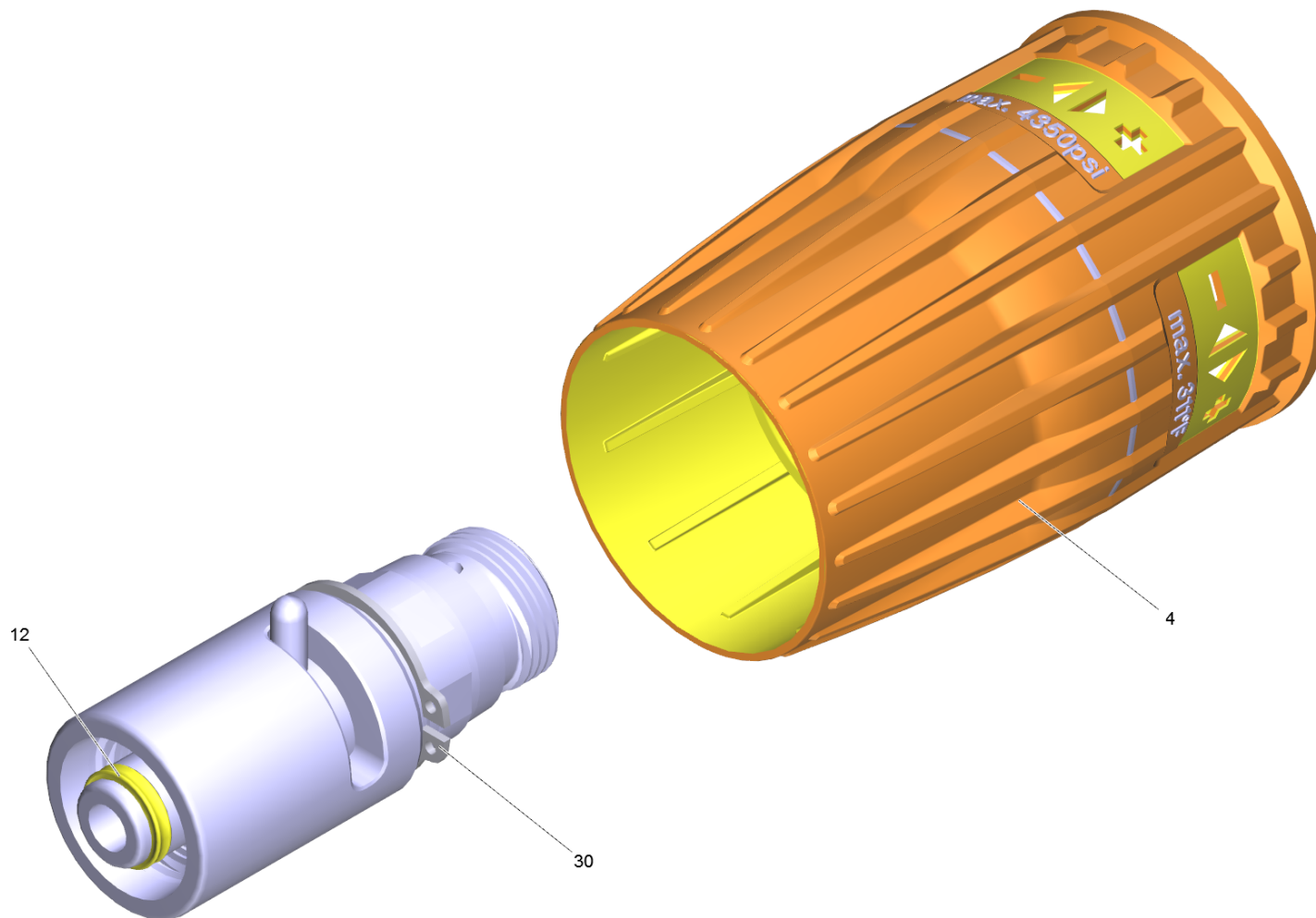
<b>POS</b>	<b>Article no.</b>	<b>Description</b>	<b>Quantity</b>	<b>Unit</b>
4	5.332-032.0	Helical spring	2.000	ST

---

106 Rotary controller TR 416L (4.118-008.0)

---

POS	Description	Quantity	Unit
1	Rotary controller TR 416L	1.000	ST



## 1 Rotary controller TR 416L

---

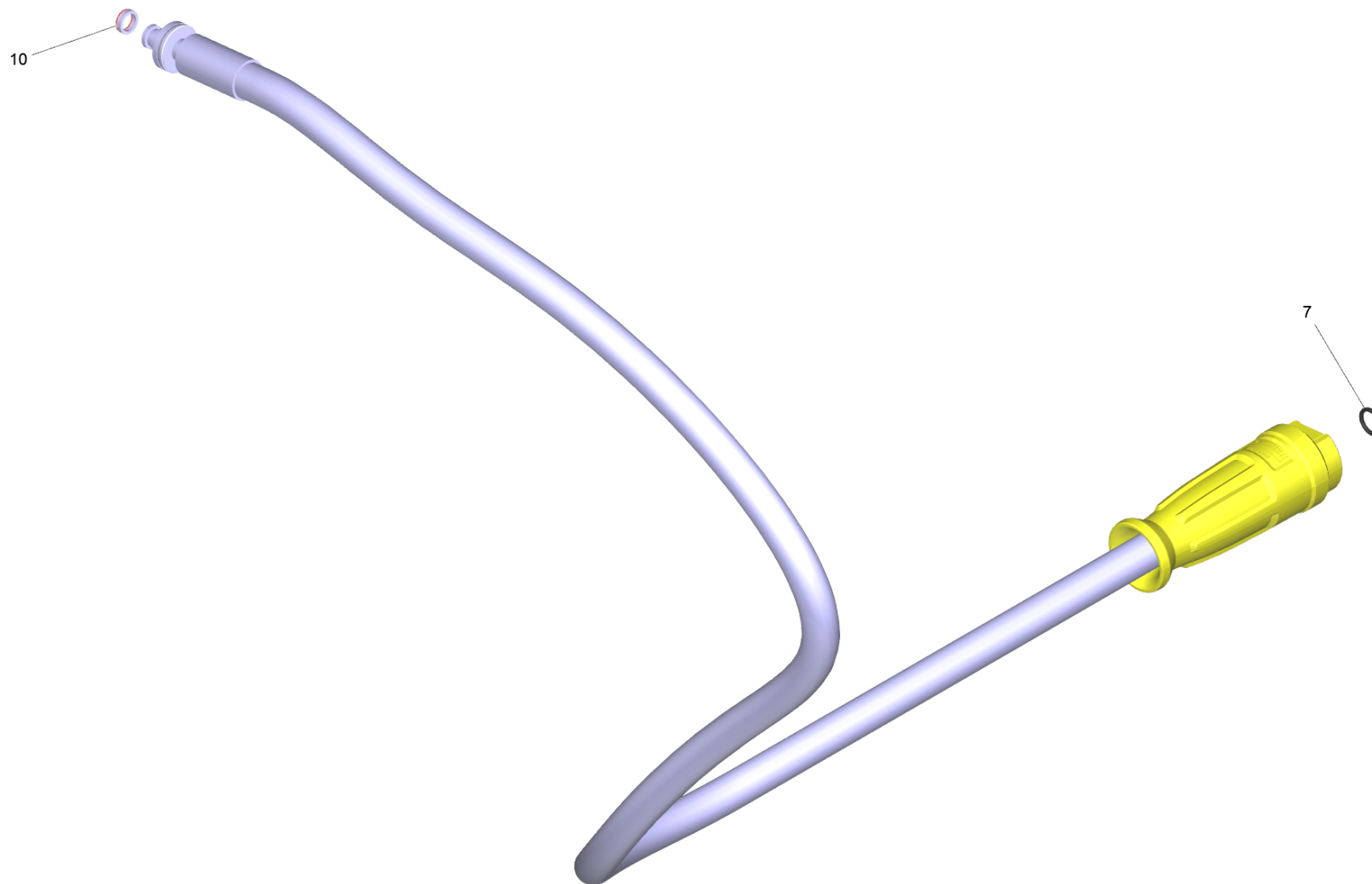
<b>POS</b>	<b>Article no.</b>	<b>Description</b>	<b>Quantity</b>	<b>Unit</b>
4	5.321-364.3	Handhold rotary controller	1.000	ST
30	7.343-069.0	Locking ring 25x1,2-1.4122 DIN 471	1.000	ST
12	2.880-001.0	Spare part set seals TR	1.000	ST

107 Hose assembly TR rotatable DN8 40MPa 20m (6.110-028.0)

---

POS	Description	Quantity	Unit
1	Hose assembly TR rotatable DN8 40MPa 20m	1.000	ST

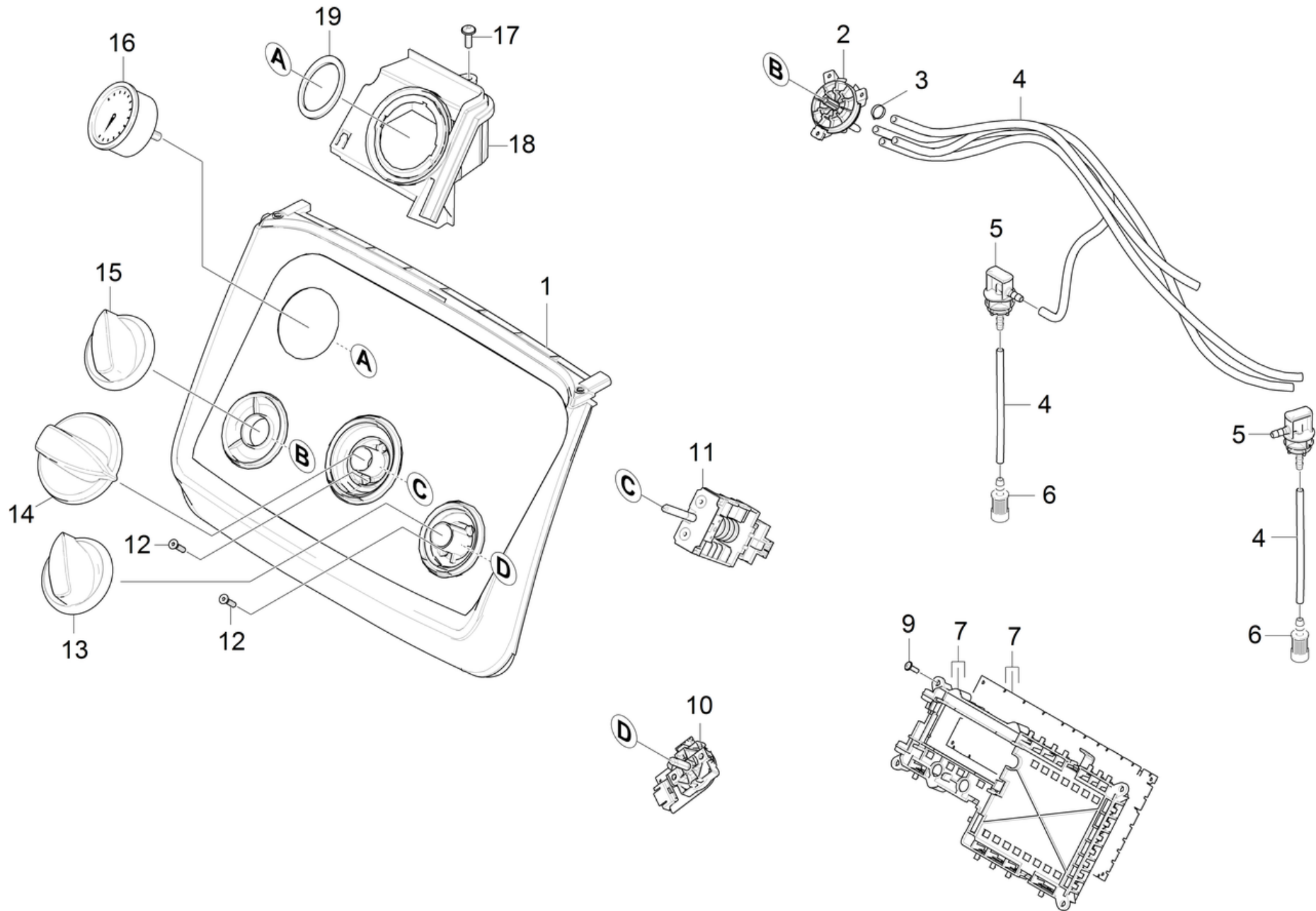
---



1 Hose assembly TR rotatable DN8 40MPa 20m

---

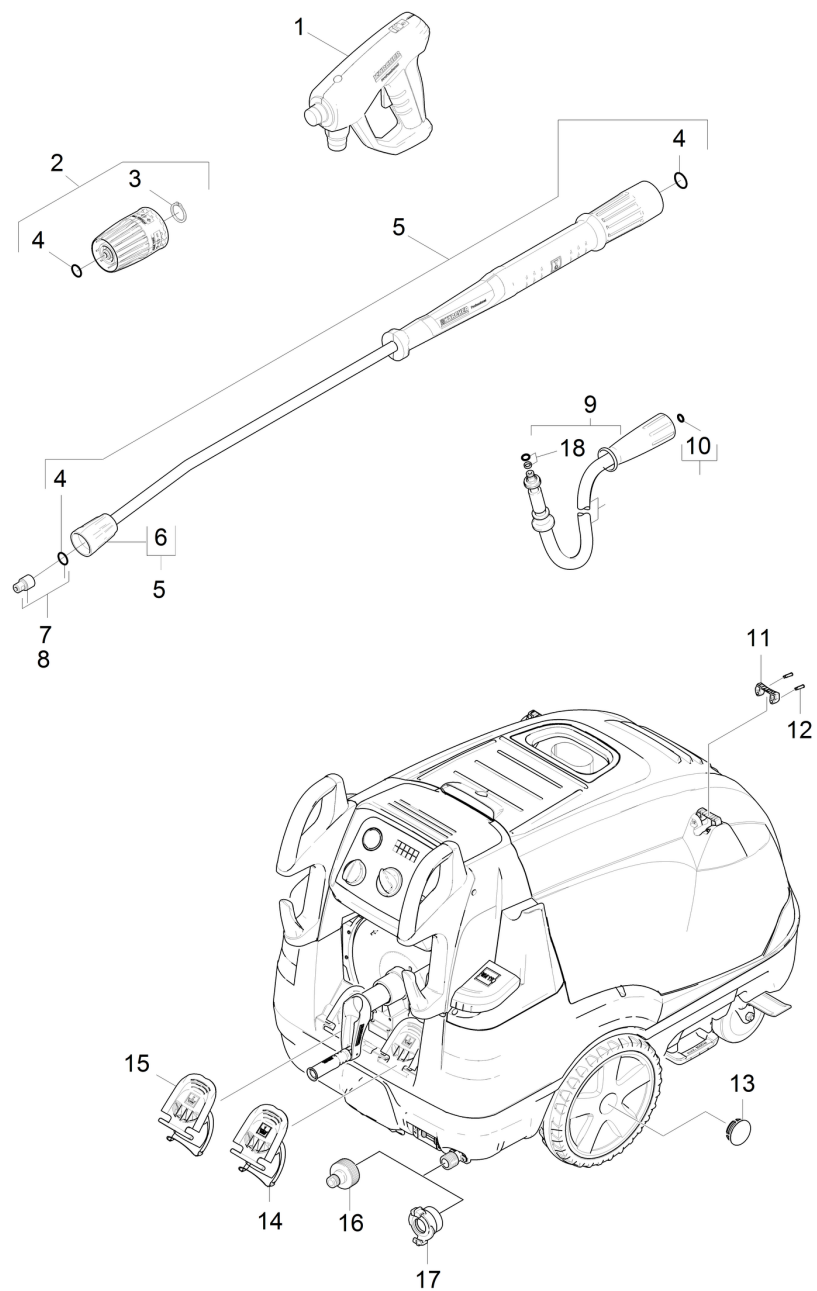
<b>POS</b>	<b>Article no.</b>	<b>Description</b>	<b>Quantity</b>	<b>Unit</b>
7	2.880-154.0	O-Ring kit	1.000	ST
10	4.363-691.0	O-Ring seal kpl. -nur fuer Ersatz-	1.000	ST





## 110 Control panel

POS	Article no.	Description	Quantity	Unit	Foot note text
1	4.841-386.0	Control panel only for replacement	1.000	ST	
12	7.305-019.0	Countersunk screw M4x16 -8.8-R2R (In6Rd	4.000	ST	
6	5.731-638.0	Filter with weight	2.000	ST	
7	2.885-052.0	Frame circuit board complete	1.000	ST	
15	5.321-844.0	Handle	1.000	ST	
13	5.321-847.0	Handle	1.000	ST	
14	5.321-848.0	Handle	1.000	ST	
18	5.044-850.0	Holder pressure gauge	1.000	ST	
4	6.391-341.0	Hose chemistry DN 6	1.000	M	TO ORDER AS CUT GOODS
3	6.388-559.0	Hose clip	4.000	ST	
19	5.363-721.0	Joint ring	1.000	ST	
5	5.132-195.0	Plug aspiration chemistry	2.000	ST	
16	4.423-020.0	Pressure gauge only for replacement 0-25	1.000	ST	
2	4.063-842.0	Proportioning valve chemistry	1.000	ST	
17	7.303-106.0	Screw 4x12 -10.9-R2R (IN6RD)	1.000	ST	
9	7.303-106.0	Screw 4x12 -10.9-R2R (IN6RD)	2.000	ST	
11	6.630-421.3	Switch program selection	1.000	ST	
10	4.630-005.0	Switch temperature only for replacement	1.000	ST	



## 1030 Short spare parts list

POS	Article no.	Description	Quantity	Unit
15	5.064-221.0	Cover chemistry 1	1.000	ST
14	5.064-231.0	Cover chemistry 2	1.000	ST
1	4.118-005.0	EASY!Force Advanced	1.000	ST
11	5.424-162.0	Fixing jet pipe	1.000	ST
9	6.110-028.0	Hose assembly TR rotatable DN8 40MPa 20m	1.000	ST
17	6.388-458.0	Hose coupling	1.000	ST
5	4.112-000.0	Jet pipe TR 1050 mm	1.000	ST
3	7.343-069.0	Locking ring 25x1,2-1.4122 DIN 471	1.000	ST
10	2.880-154.0	O-Ring kit	1.000	ST
18	4.363-691.0	O-Ring seal kpl. -nur fuer Ersatz-	1.000	ST
12	5.314-143.0	Pin fixing jet pipe	2.000	ST
7	2.113-011.0	Power nozzle TR 25054	1.000	ST
6	4.112-011.0	Protection part TR only for replacement	1.000	ST
2	4.118-008.0	Rotary controller TR 416L	1.000	ST
16	2.640-492.0	Set water connection 1 "	1.000	ST
13	2.889-086.0	Set wheel cap	2.000	ST
4	2.880-001.0	Spare part set seals TR	3.000	ST
8	2.114-006.0	Steam nozzle TR 40070	1.000	ST