

Spare parts list

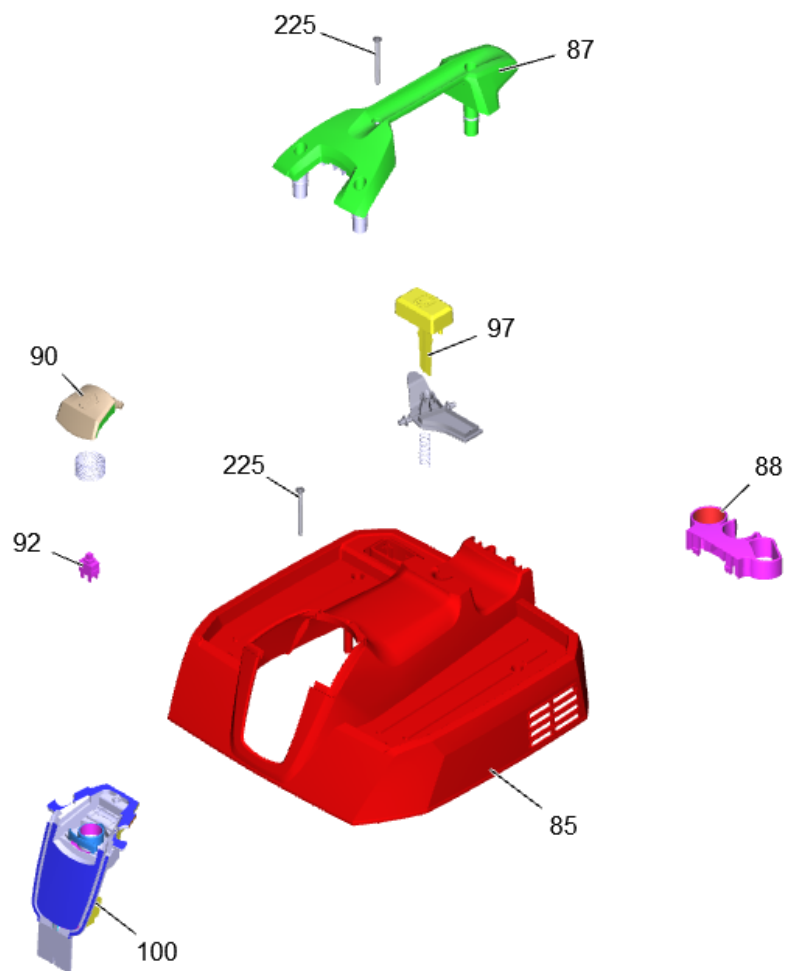
(1.378-500.0) NT 20/1 Ap*EU

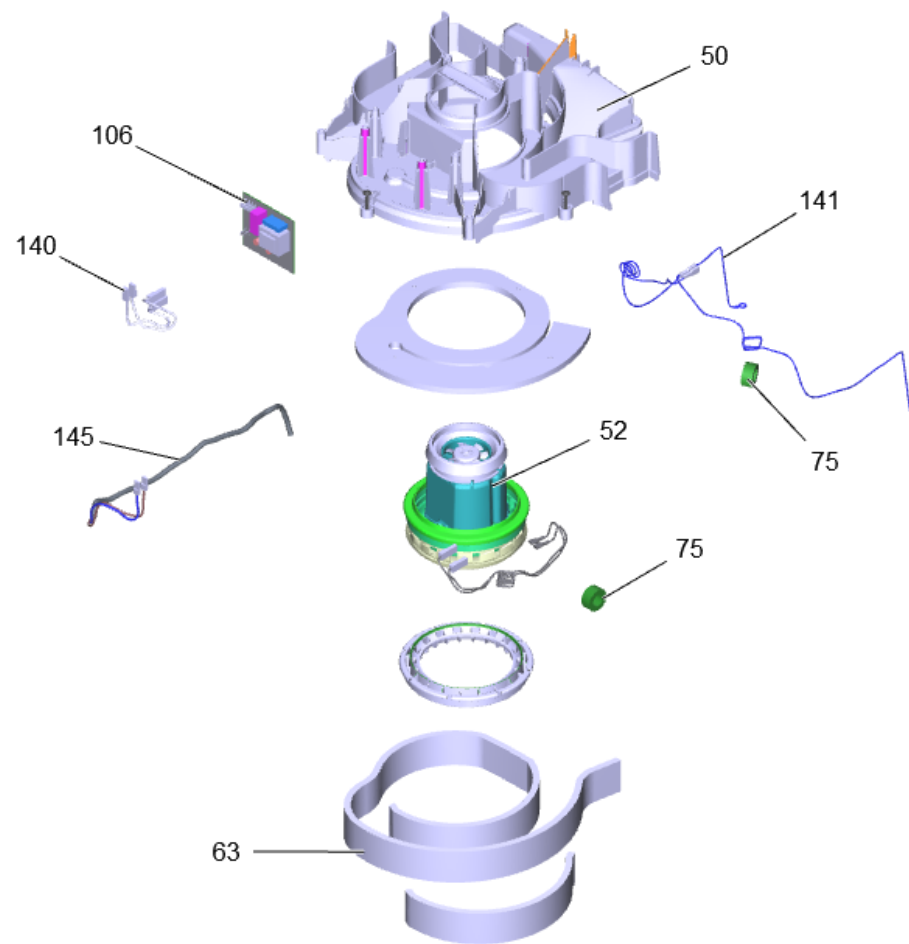
Table of contents

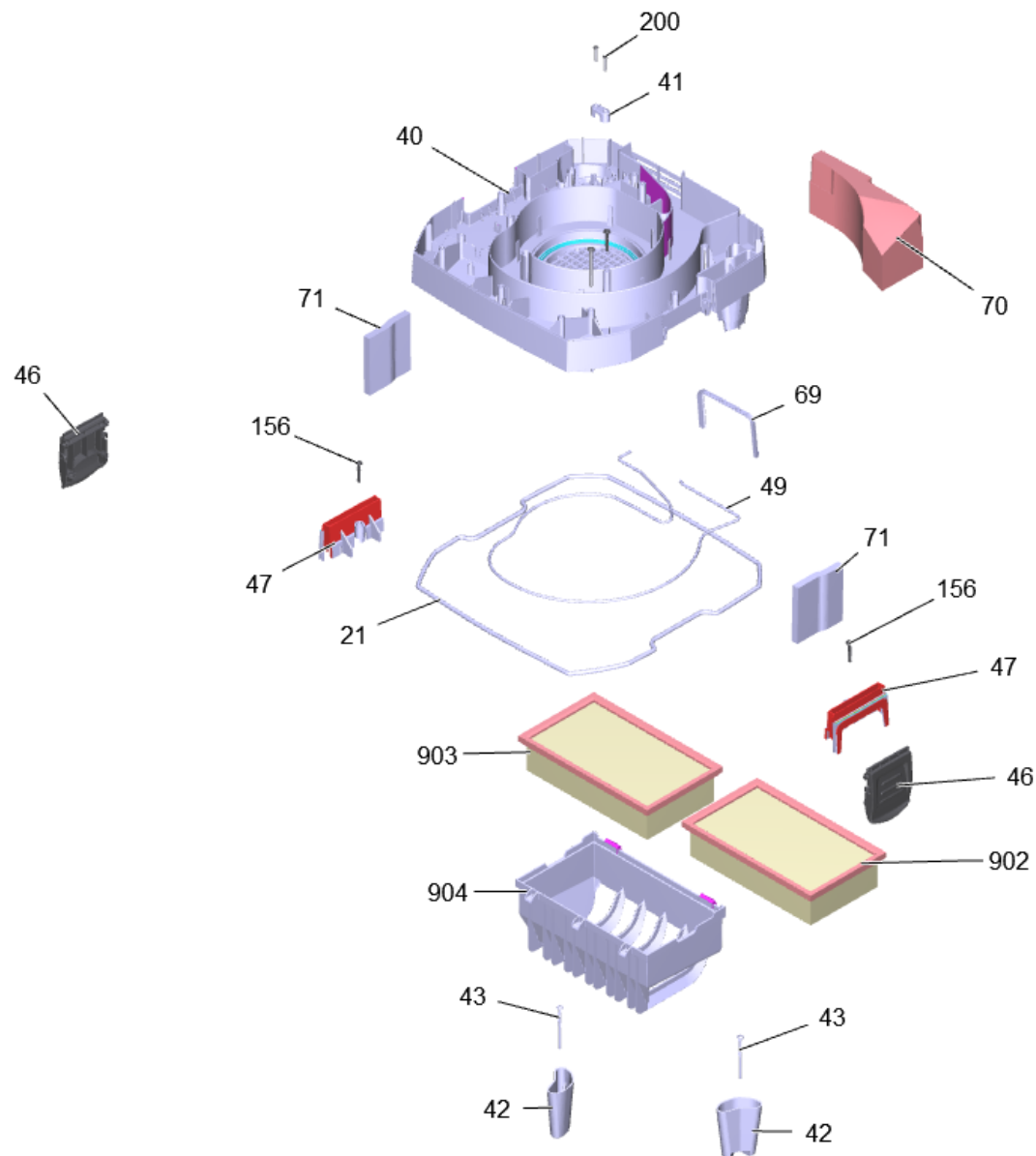
NT 20/1 Ap*EU (1.378-500.0)	3
8 Spare parts list NT 20/1 Ap *EU (5.972-720.0)	4
20 Tank complete RAL 7012 (4.070-997.0)	10
52 Vac motor complete DOMEL 230V (4.610-087.0)	12
90 Pushbutton complete (4.324-058.0)	14
310 Suction hose C DN35 (4.440-626.0)	16
10 Repair set (2.639-690.0)	18
3 Spare parts list add-on kit hose couplin (5.958-671.0)	19
10 Add-on kit hose coupling	20
325 Floor tool DN35 (6.903-284.0)	22
1 Roller complete with axle (4.515-342.0)	24
999 Accessories	25
5 Suction hose C DN35 (4.440-626.0)	27
10 Repair set (2.639-690.0)	29
3 Spare parts list add-on kit hose couplin (5.958-671.0)	30
10 Add-on kit hose coupling	31
12 Roller complete with axle (4.515-342.0)	33

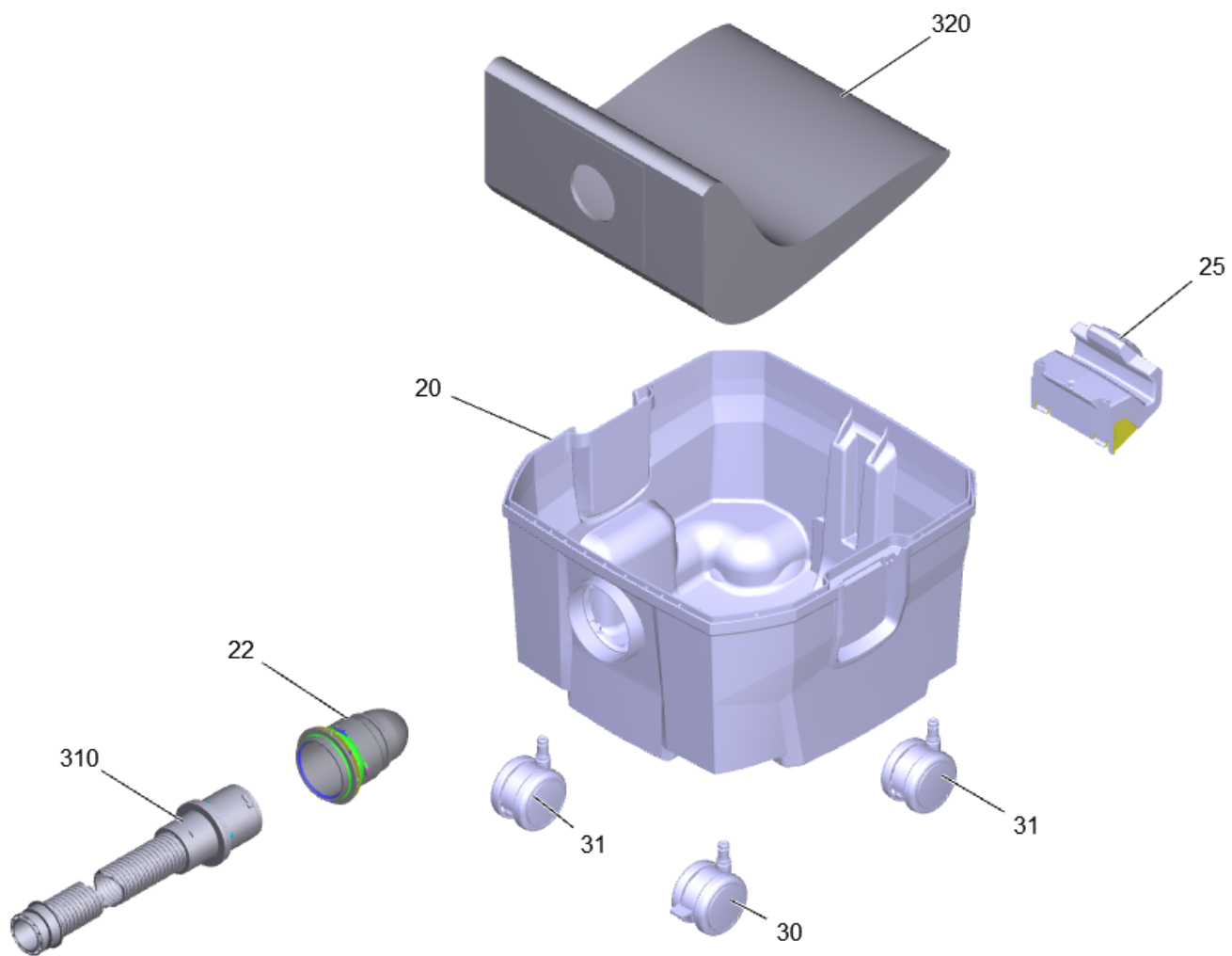
NT 20/1 Ap*EU (1.378-500.0)

POS	Article no.	Description	Quantity	Unit
1000		Service manual ProNT 200 / ProNT 400 / N	1.000	ST
8	5.972-720.0	Spare parts list NT 20/1 Ap *EU	1.000	ST







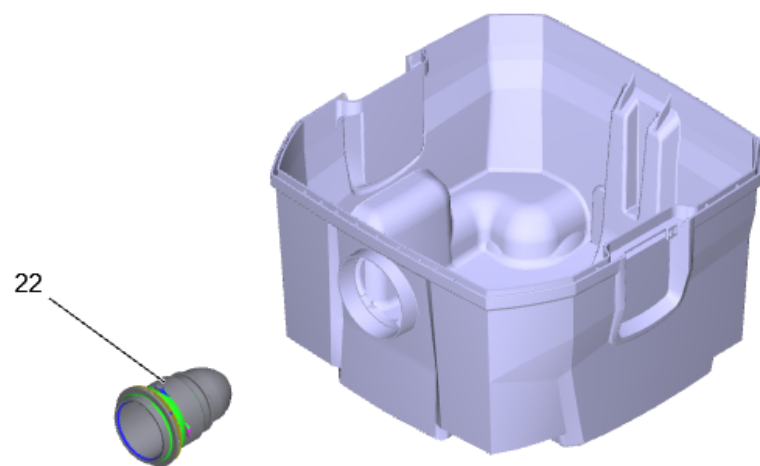


8 Spare parts list NT 20/1 Ap *EU (5.972-720.0)

POS	Article no.	Description	Quantity	Unit
999		Accessories	1.000	ST
47	5.045-016.0	Blank holder strap	2.000	ST
70	6.414-700.0	Blowing filter	1.000	ST
71	6.414-706.0	Blowing filter cooling air	2.000	ST
42	5.044-407.0	Bracket probe RAL 9005	2.000	ST
140		Cable grey 1,5mm ² x240mm	1.000	ST
141	6.650-418.0	Cable probe light blue 0,5mm ² x810mm	2.000	ST
100	5.841-567.0	Control panel closed	1.000	ST
85	4.069-043.0	Cover Professional packaged	1.000	ST
31	6.435-420.0	Double castor	3.000	ST
30	6.435-419.0	Double castor with parking brake	1.000	ST
106	6.682-476.0	Electronics	1.000	ZSA
75	6.346-043.0	Ferrite ring	2.000	ST
44	5.731-668.0	Filter cassette staubgrau RAL 7037	1.000	ST
904	6.907-470.0	Filtering basket packaged Kärcher	1.000	ST
902	6.904-360.0	Flat-pleated filter only for replacement	1.000	ST
903	6.904-242.0	Flat filter	1.000	ST
903	6.904-367.0	Flat filter only for replacement Kaerche	1.000	ST
45	6.904-367.0	Flat filter only for replacement Kaerche	1.000	ST
325	6.903-284.0	Floor tool DN35	1.000	ST
87	5.322-161.0	Handhold cover	1.000	ST
88	5.033-915.0	Holder accessories yellow	1.000	ST
25	5.044-442.0	Holder floor nozzle basaltgrau RAL 7012	1.000	ST
40	5.605-415.0	Housing base plate	1.000	ST
50	5.605-418.0	Housing vacuum motor	1.000	ST
205	6.343-145.0	Lock washer 5	4.000	ST
145	4.649-088.0	Power cable complete *EU	1.000	ST
43	5.107-317.0	Probe	2.000	ST
90	4.324-058.0	Pushbutton complete	1.000	ST
97	4.324-059.0	Pushbutton dedusting complete	1.000	ST
41	5.034-505.0	Retaining bracket cable	1.000	ST
219	7.303-206.0	Screw 3,5x16 -10.9-A2E (In6Rd)	2.000	ST
200	6.303-150.0	Screw 4,2x 22	2.000	ST

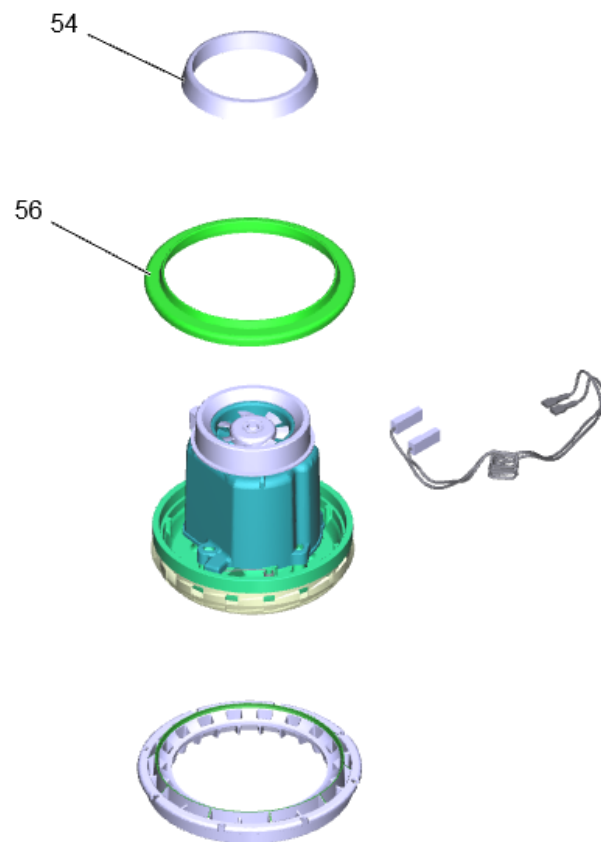
8 Spare parts list NT 20/1 Ap *EU (5.972-720.0)

POS	Article no.	Description	Quantity	Unit
102	7.303-205.0	Screw 4x16-St-10.9-R2R (In6Rd)	1.000	ST
217	7.303-086.0	Screw 5x30 -10.9-R2R (K-In6Rd)	7.000	ST
225	7.303-315.0	Screw 5x60 -10.9-R2R (K-In6Rd)	8.000	ST
69	5.363-826.0	Seal blowing filter	1.000	ST
56	9.079-024.0	Seal motor above	1.000	ST
49	6.273-355.0	Seal string cellular rubber D3	1.000	ST
21	6.363-669.0	Seal string cellular rubber D6	1.000	ST
63	2.885-416.0	Set insulating mats	1.000	ST
46	5.034-021.0	Strap closure RAL 1018	2.000	ST
22	5.031-602.0	Suction connection	1.000	ST
310	4.440-626.0	Suction hose C DN35	1.000	ST
92	6.630-437.0	Switch on/off	1.000	ST
20	4.070-997.0	Tank complete RAL 7012	1.000	ST
52	4.610-087.0	Vac motor complete DOMEL 230V	1.000	ST



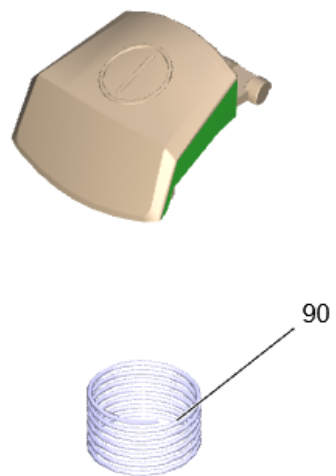
20 Tank complete RAL 7012 (4.070-997.0)

POS	Article no.	Description	Quantity	Unit
22	5.031-602.0	Suction connection	1.000	ST



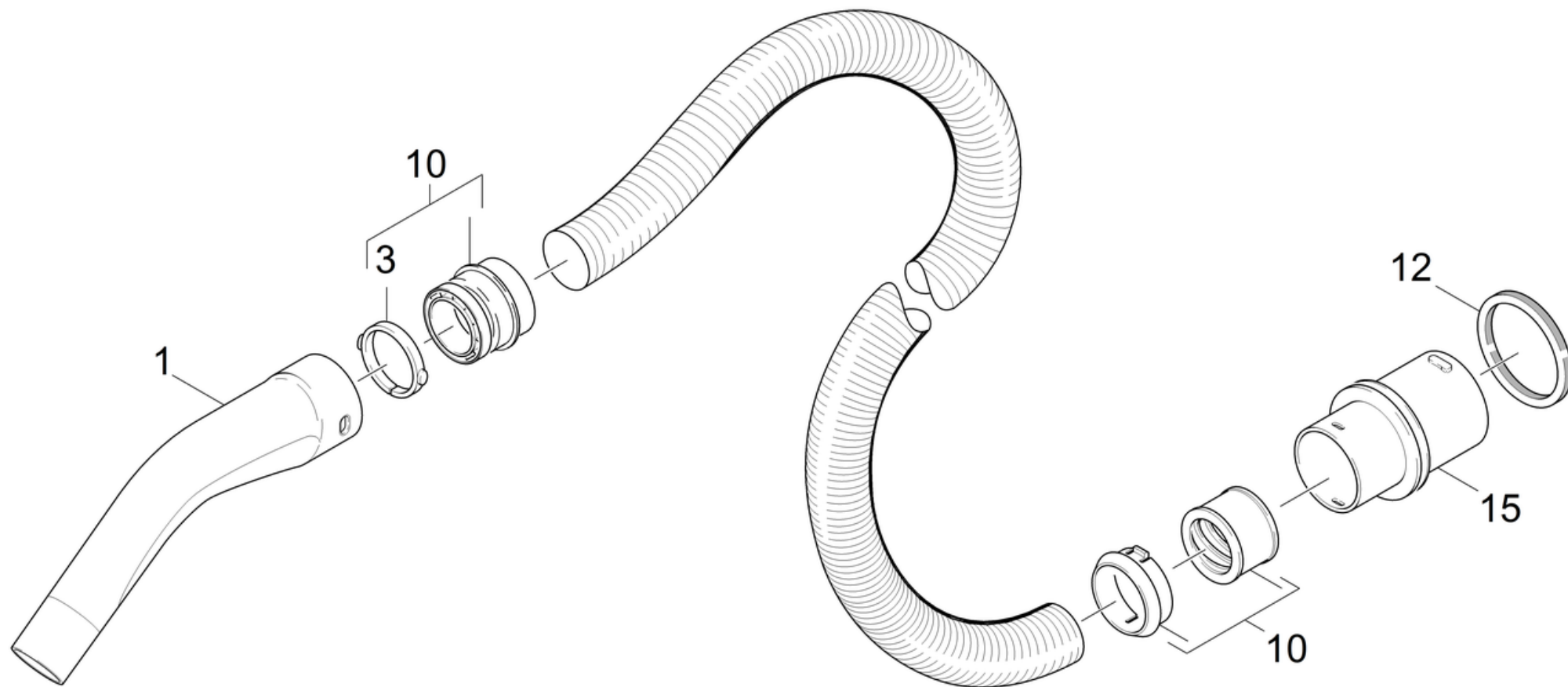
52 Vac motor complete DOMEL 230V (4.610-087.0)

POS	Article no.	Description	Quantity	Unit
56	9.079-024.0	Seal motor above	1.000	ST
54	5.363-825.0	Seal vacuum motor above	1.000	ST



90 Pushbutton complete (4.324-058.0)

POS	Article no.	Description	Quantity	Unit
91	5.332-523.0	Spring switch	1.000	ST



310 Suction hose C DN35 (4.440-626.0)

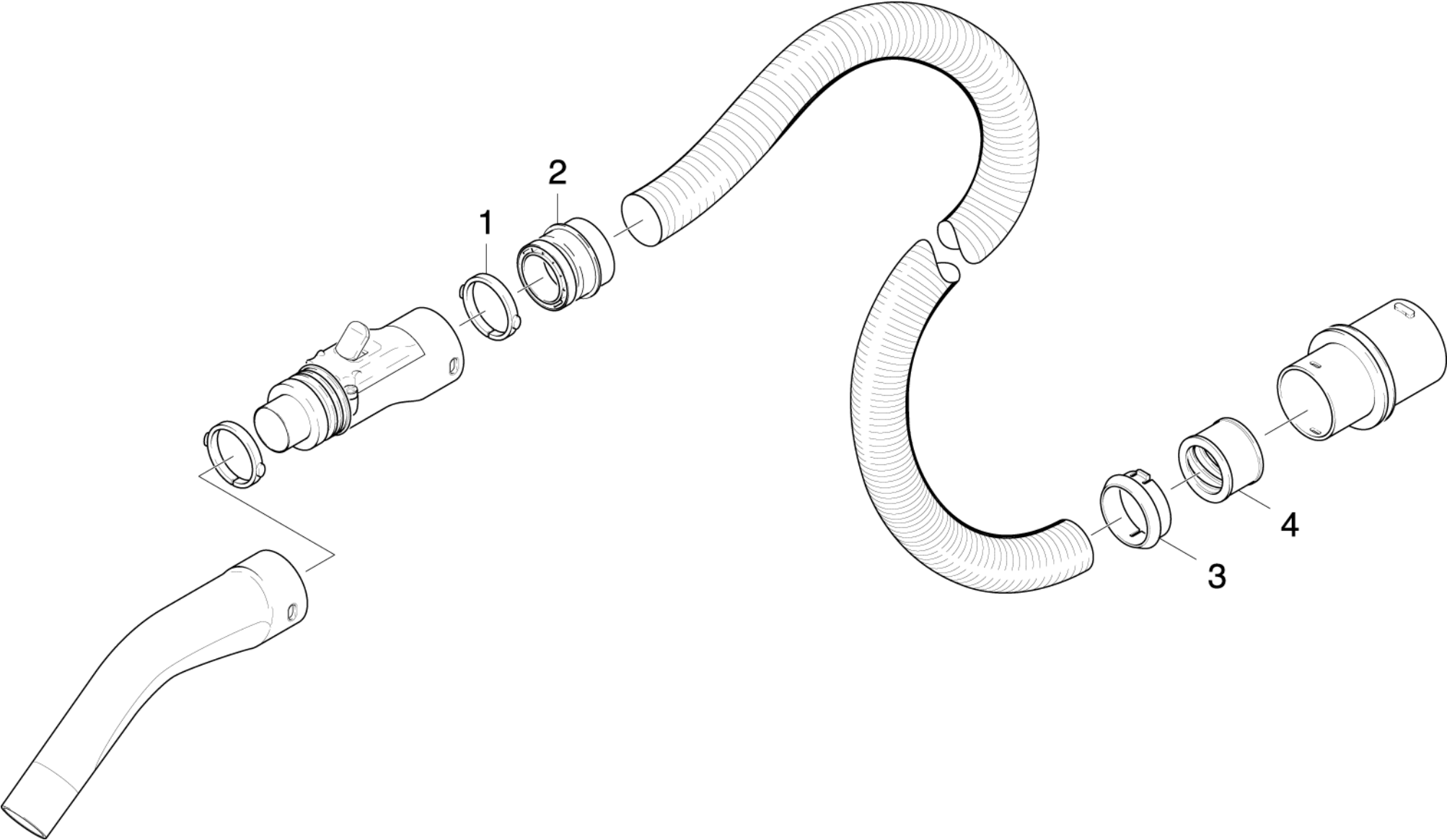
POS	Article no.	Description	Quantity	Unit
1	5.031-718.0	Elbow	1.000	ST
15	5.443-464.0	Hosebarb	1.000	ST
12	6.273-009.0	Joint ring EPDM	1.000	ST
10	2.639-690.0	Repair set	1.000	ST
3	5.031-703.0	Tension ring C35	1.000	ST

10 Repair set (2.639-690.0)

POS	Article no.	Description	Quantity	Unit
3	5.958-671.0	Spare parts list add-on kit hose couplin	1.000	ST
Item text2: 26396900				

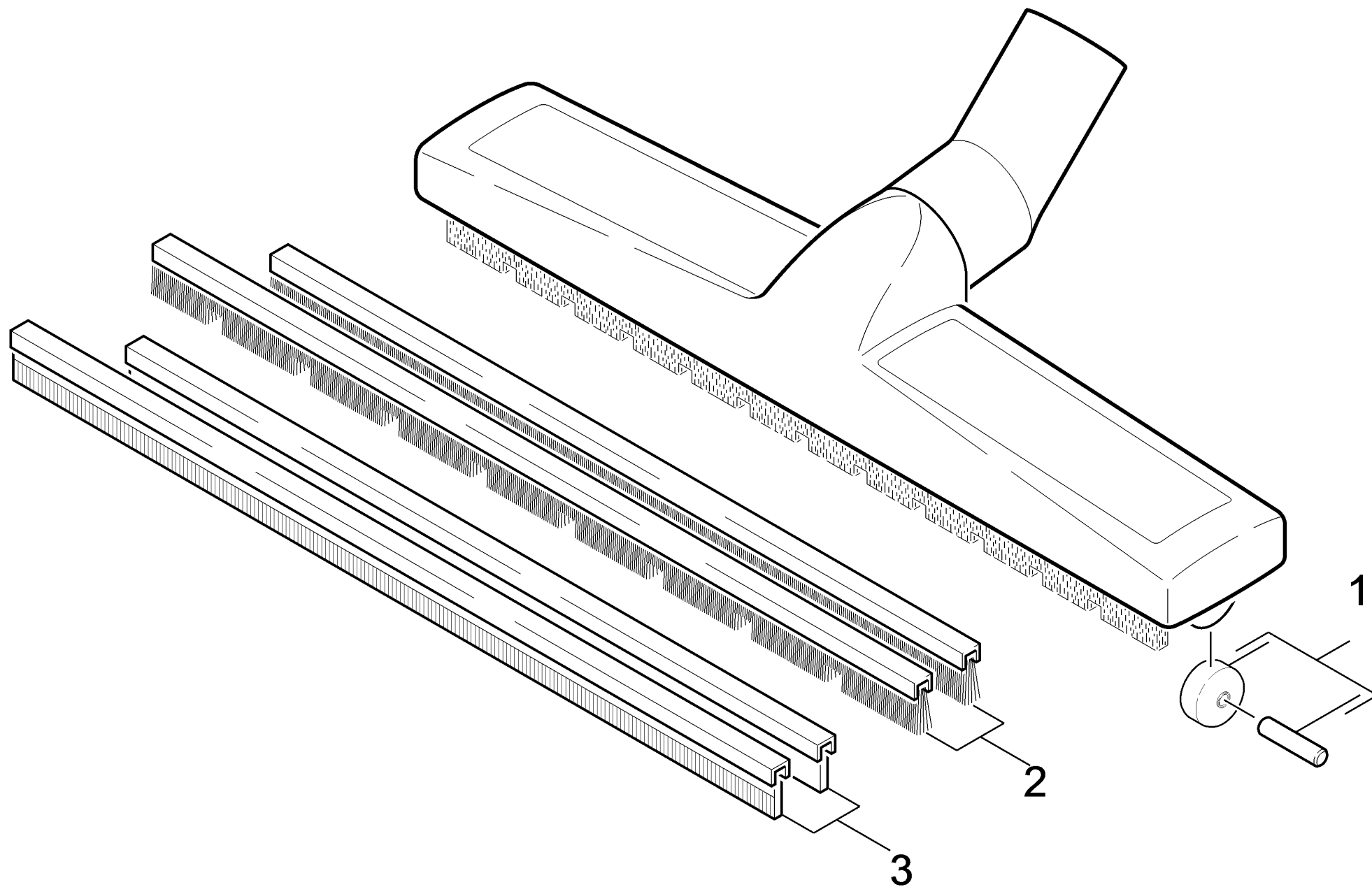
3 Spare parts list add-on kit hose couplin (5.958-671.0)

POS	Description	Quantity	Unit
10	Add-on kit hose coupling	1.000	ST



10 Add-on kit hose coupling

POS	Article no.	Description	Quantity	Unit
3	6.902-065.0	Clamp sleeve	1.000	ST
1	5.031-703.0	Tension ring C35	1.000	ST
4	6.902-112.0	Threaded ring	1.000	ST
2	5.406-019.0	Threaded ring C35EL	1.000	ST

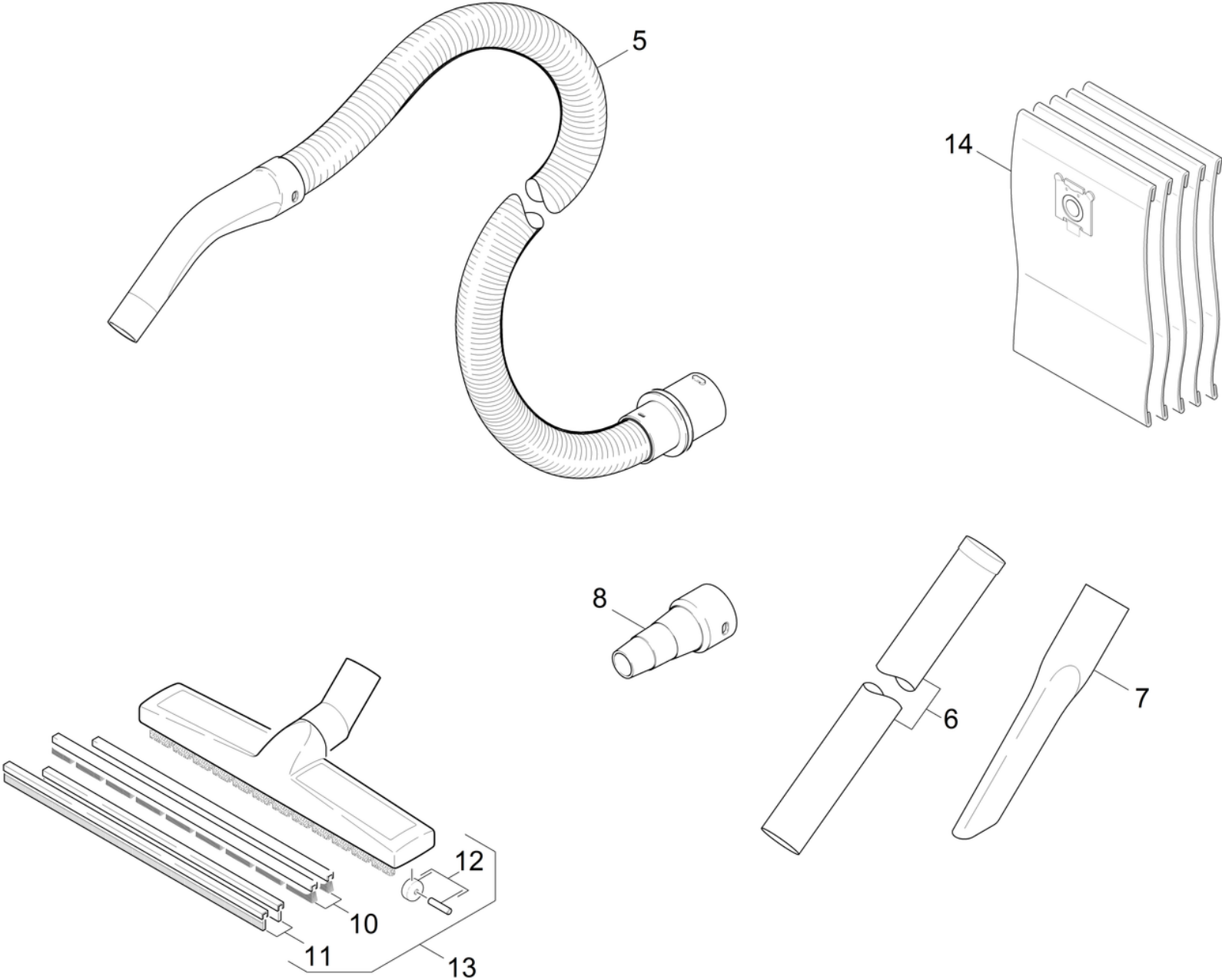


325 Floor tool DN35 (6.903-284.0)

POS	Article no.	Description	Quantity	Unit
2	6.903-278.0	Brush strips set	1.000	ST
1	4.515-342.0	Roller complete with axle	2.000	ST
3	6.903-277.0	Set suction lips	1.000	ST

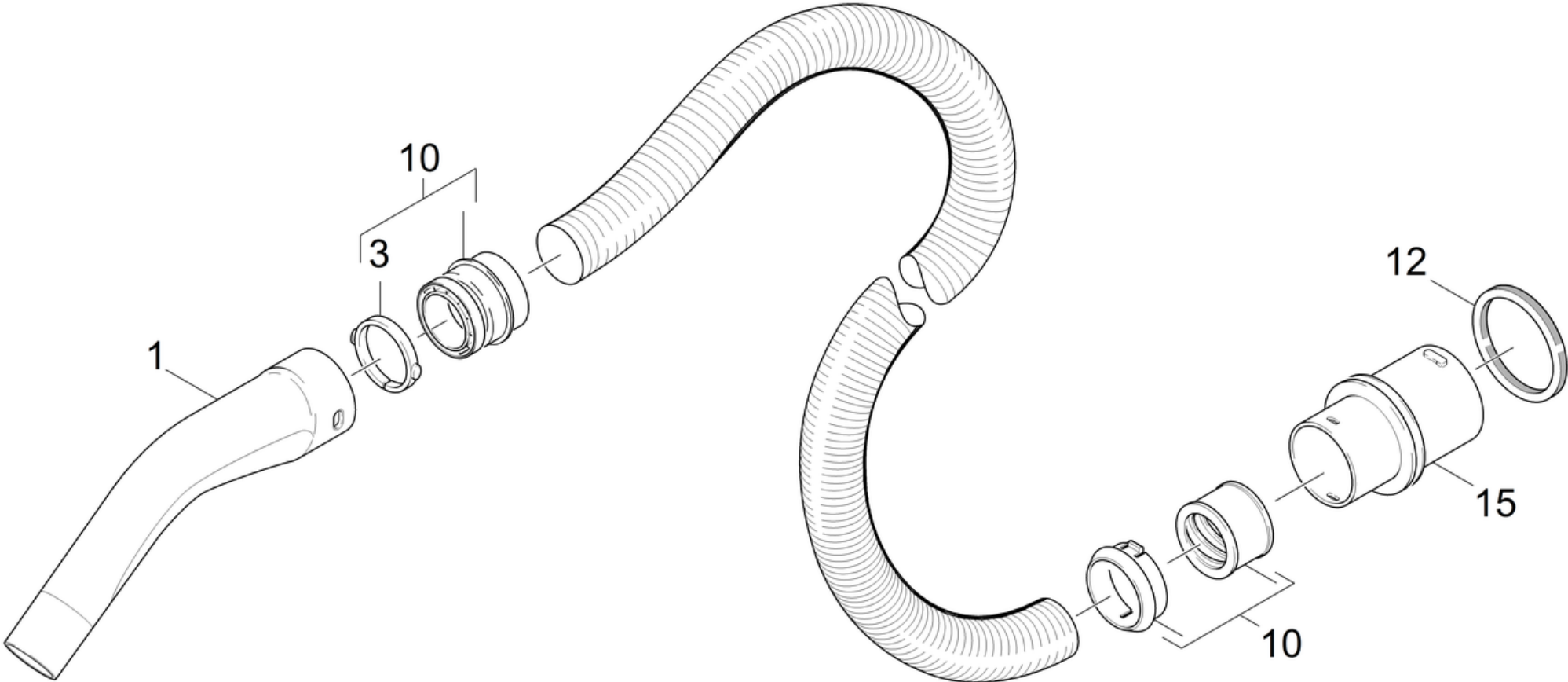
1 Roller complete with axle (4.515-342.0)

POS	Article no.	Description	Quantity	Unit
2	6.437-026.0	Axle	1.000	ST
2	6.437-026.0	Axle	1.000	ST
1	6.435-292.0	Roller only for replacement	1.000	ST
1	6.435-292.0	Roller only for replacement	1.000	ST



999 Accessories

POS	Article no.	Description	Quantity	Unit
10	6.903-278.0	Brush strips set	1.000	ST
7	6.906-240.0	Crevice nozzle DN35	1.000	ST
14	6.907-469.0	Filter bag fleece 5 Stk. Kärcher	1.000	ST
13	6.906-512.0	Floor tool DN35	1.000	ST
12	4.515-342.0	Roller complete with axle	2.000	ST
11	6.903-277.0	Set suction lips	1.000	ST
8	5.453-042.0	Sleeve for tool C35EL	1.000	ST
5	4.440-626.0	Suction hose C DN35	1.000	ST
6	6.900-514.0	Suction tube DN35	2.000	ST



5 Suction hose C DN35 (4.440-626.0)

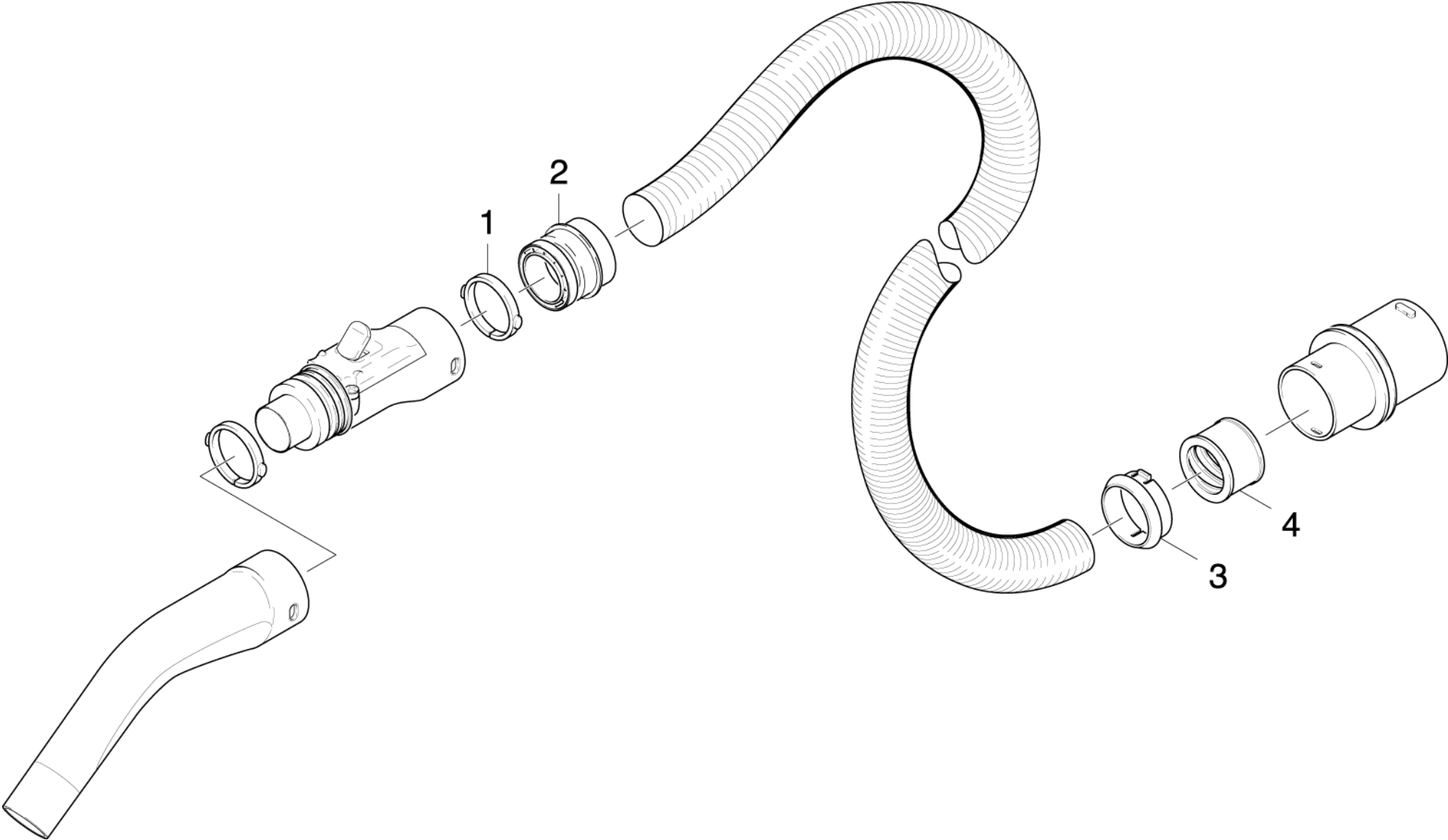
POS	Article no.	Description	Quantity	Unit
1	5.031-718.0	Elbow	1.000	ST
15	5.443-464.0	Hosebarb	1.000	ST
12	6.273-009.0	Joint ring EPDM	1.000	ST
10	2.639-690.0	Repair set	1.000	ST
3	5.031-703.0	Tension ring C35	1.000	ST

10 Repair set (2.639-690.0)

POS	Article no.	Description	Quantity	Unit
3	5.958-671.0	Spare parts list add-on kit hose couplin	1.000	ST
Item text2: 26396900				

3 Spare parts list add-on kit hose couplin (5.958-671.0)

POS	Description	Quantity	Unit
10	Add-on kit hose coupling	1.000	ST



10 Add-on kit hose coupling

POS	Article no.	Description	Quantity	Unit
3	6.902-065.0	Clamp sleeve	1.000	ST
1	5.031-703.0	Tension ring C35	1.000	ST
4	6.902-112.0	Threaded ring	1.000	ST
2	5.406-019.0	Threaded ring C35EL	1.000	ST

12 Roller complete with axle (4.515-342.0)

POS	Article no.	Description	Quantity	Unit
2	6.437-026.0	Axle	1.000	ST
2	6.437-026.0	Axle	1.000	ST
1	6.435-292.0	Roller only for replacement	1.000	ST
1	6.435-292.0	Roller only for replacement	1.000	ST