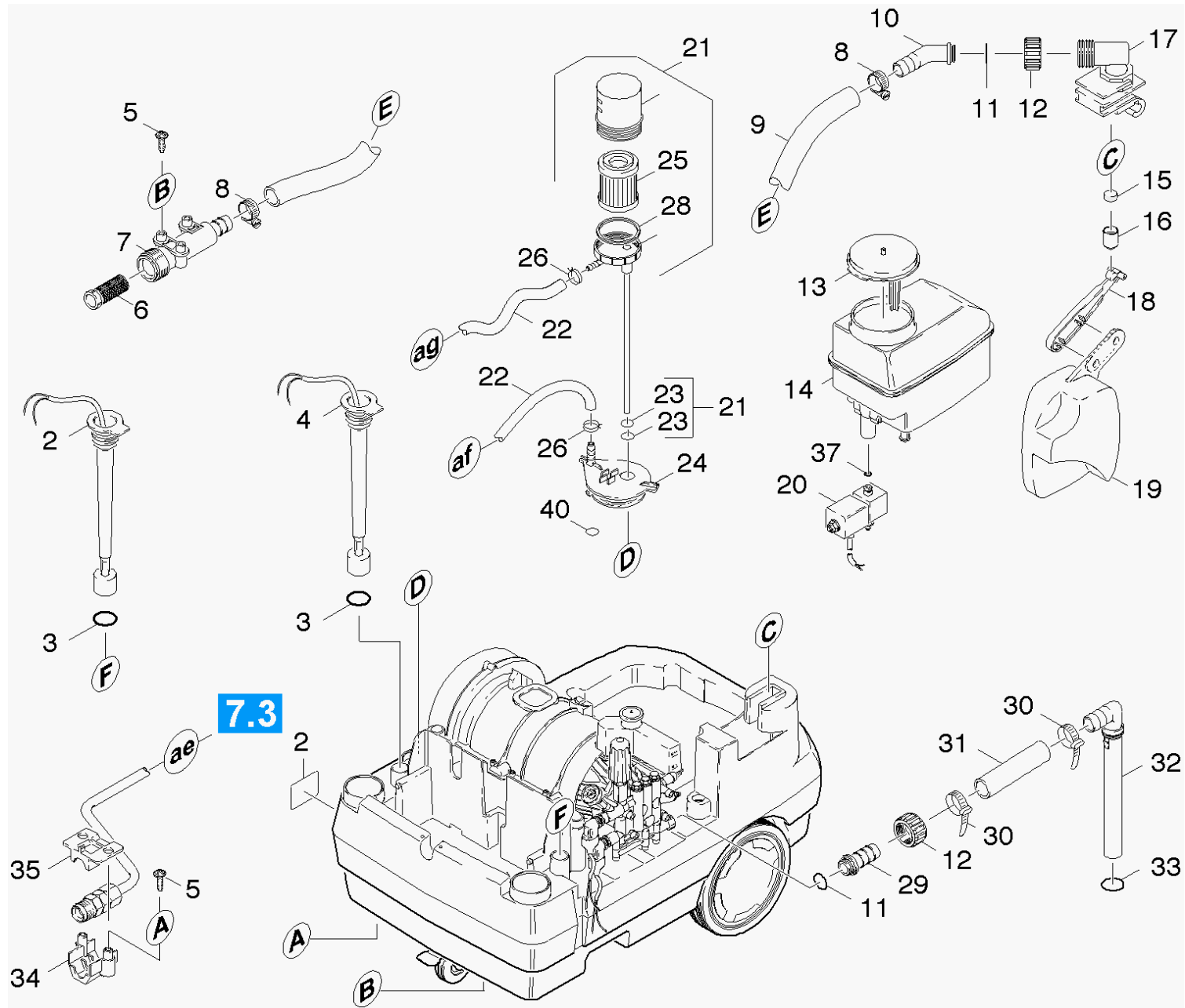


# 80 Float chest

Professional \ High pressure cleaner hotwater \ Electric motor \ HDS 698 C ECO \*EU \ Spare parts list HDS 698 C ECO \ Float chest



## 80 Float chest

Professional \ High pressure cleaner hotwater \ Electric motor \ HDS 698 C ECO \*EU \ Spare parts list HDS 698 C ECO \ Float chest



POS	Article no.	Description	Quantity	Unit	Foot note text
2	4.747-087.0	Level probe chemistry	1	ST	
3	7.362-500.0	O-Ring seal 25x2,5-NBR 70 DIN 3770	2	ST	
4	2.885-127.0	Level probe 047-nur fuer Ersatz-	1	ST	
5	7.303-114.0	Screw 6 x 35-ST-10.9-R2R (IN6RD)	4	ST	
6	6.414-141.0	Strainer	1	ST	
7	5.427-249.0	Manifold	1	ST	
8	7.373-022.0	Hose clip A-16-27x9 -W2-2 DIN3017	2	ST	
9	6.388-719.0	Hose DN17	1	M	TO ORDER AS CUT GOODS
10	5.443-285.0	Hose stem	1	ST	
11	6.362-078.0	O-Ring seal 13,3x2,4	2	ST	
12	5.310-062.0	Nut	2	ST	
13	5.063-357.0	Cover	1	ST	
14	4.070-313.0	Tank	1	ST	
15	5.364-095.0	Flat gasket	1	ST	
16	5.584-085.0	Valve pin	1	ST	
17	5.587-195.0	Valve housing	1	ST	
18	5.481-256.0	Lever	1	ST	
19	5.585-030.0	Float	1	ST	
20	6.686-143.0	Solenoid valve DN3	1	ST	
21	4.730-117.0	Filter complete	1	ST	
22	6.389-534.0	Hose	1	M	TO ORDER AS CUT GOODS
23	6.362-384.0	O-Ring seal 9x1,5 - NBR 70	2	ST	
24	5.064-179.0	Cover	1	ST	
25	6.414-559.0	Filter fuel	1	ST	
26	6.389-768.0	Hose clip	2	ST	
28	5.363-629.0	Seal	1	ST	
29	5.443-365.0	HOSE STEM (HDS555C)	1	ST	
30	6.641-474.0	Cable tape 8-210	2	ST	
31	6.392-257.0	Piece of tube 19x4x80	1	ST	
32	5.443-459.0	Hose connection	1	ST	
33	6.362-161.0	O-Ring seal 19,3 X 2,4	1	ST	
34	5.263-065.0	Tensioning part	1	ST	
35	5.263-066.0	Tensioning part	1	ST	

## 80 Float chest

Professional \ High pressure cleaner hotwater \ Electric motor \ HDS 698 C ECO \*EU \ Spare parts list HDS 698 C ECO \ Float chest



POS	Article no.	Description	Quantity	Unit	Foot note text
40	6.362-499.0	O-Ring seal 8,0 X 2,2	1	ST	