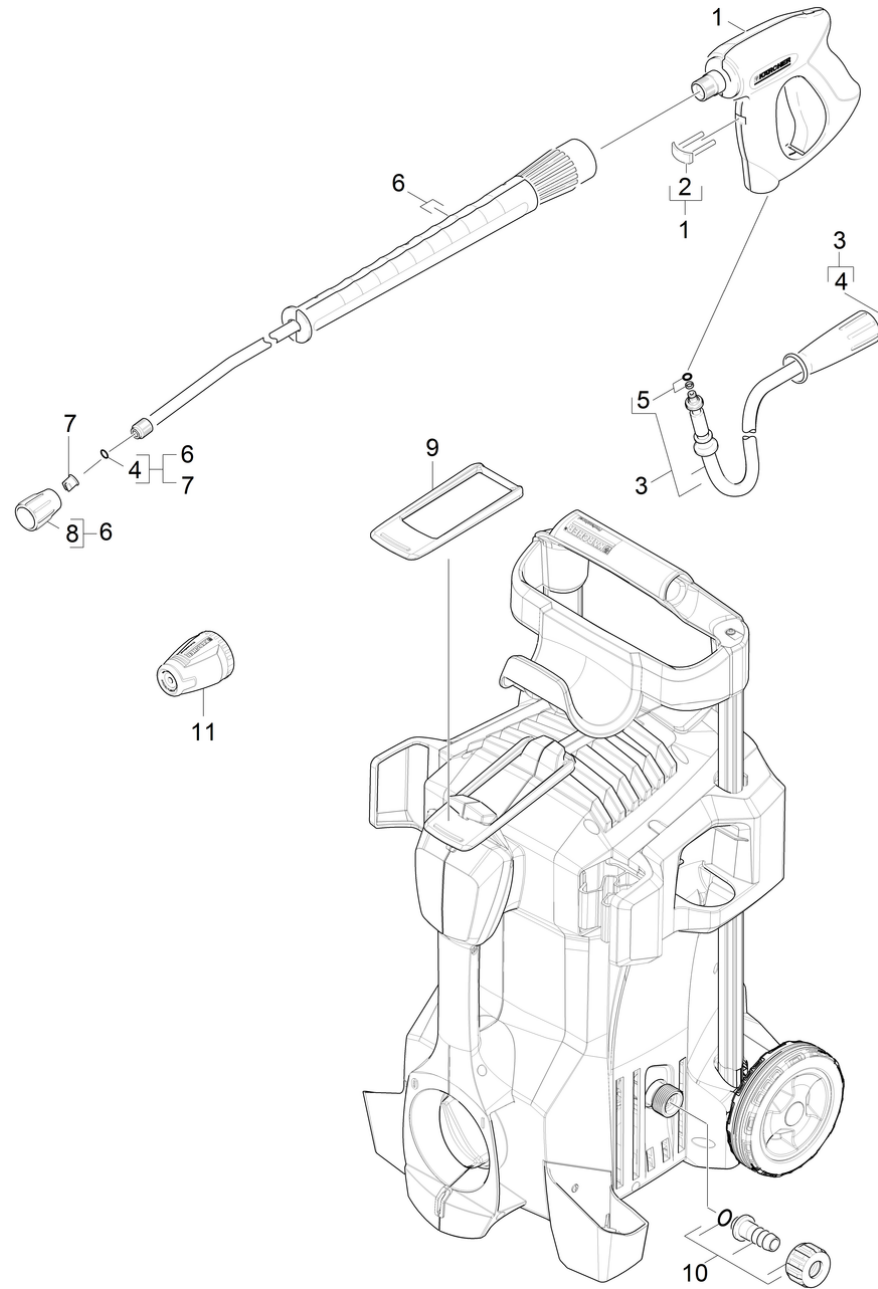


1020 Short spare parts list

Home and Garden \ High pressure cleaner cold water \ Electric motor \ Others \ PRO HD 200 Plus *EU \ Short spare parts list



1020 Short spare parts list

Home and Garden \ High pressure cleaner cold water \ Electric motor \ Others \ PRO HD 200 Plus *EU \ Short spare parts list

The KÄRCHER logo is displayed in a bold, black, sans-serif font. The letter 'A' is stylized with a horizontal bar through its center. Below the text, there is a solid yellow horizontal bar.

POS	Article no.	Description	Quantity	Unit
1	4.775-463.0	HAND TRIGGER GUN EASY PRESS	1.000	ST
2	4.037-013.0	Hook	1.000	ST
3	6.391-238.0	Hose assembly standard DN6 25MPa 10m	1.000	ST
4	2.880-990.0	Spare part set O-Ring 5x -Kaercher	2.000	ST
5	4.363-691.0	O-Ring seal kpl. -nur fuer Ersatz-	1.000	ST
6	4.760-663.0	Jet pipe packaged only for replacement	1.000	ST
7	2.883-027.0	Power nozzle for replacement 15028	1.000	ST
8	5.401-210.0	Screw connector part	1.000	ST
9	5.379-043.0	Strap	1.000	ST
10	4.401-056.0	Screw connector part	1.000	ST
11	4.767-229.0	Dirt blaster complete only for replaceme	1.000	ST