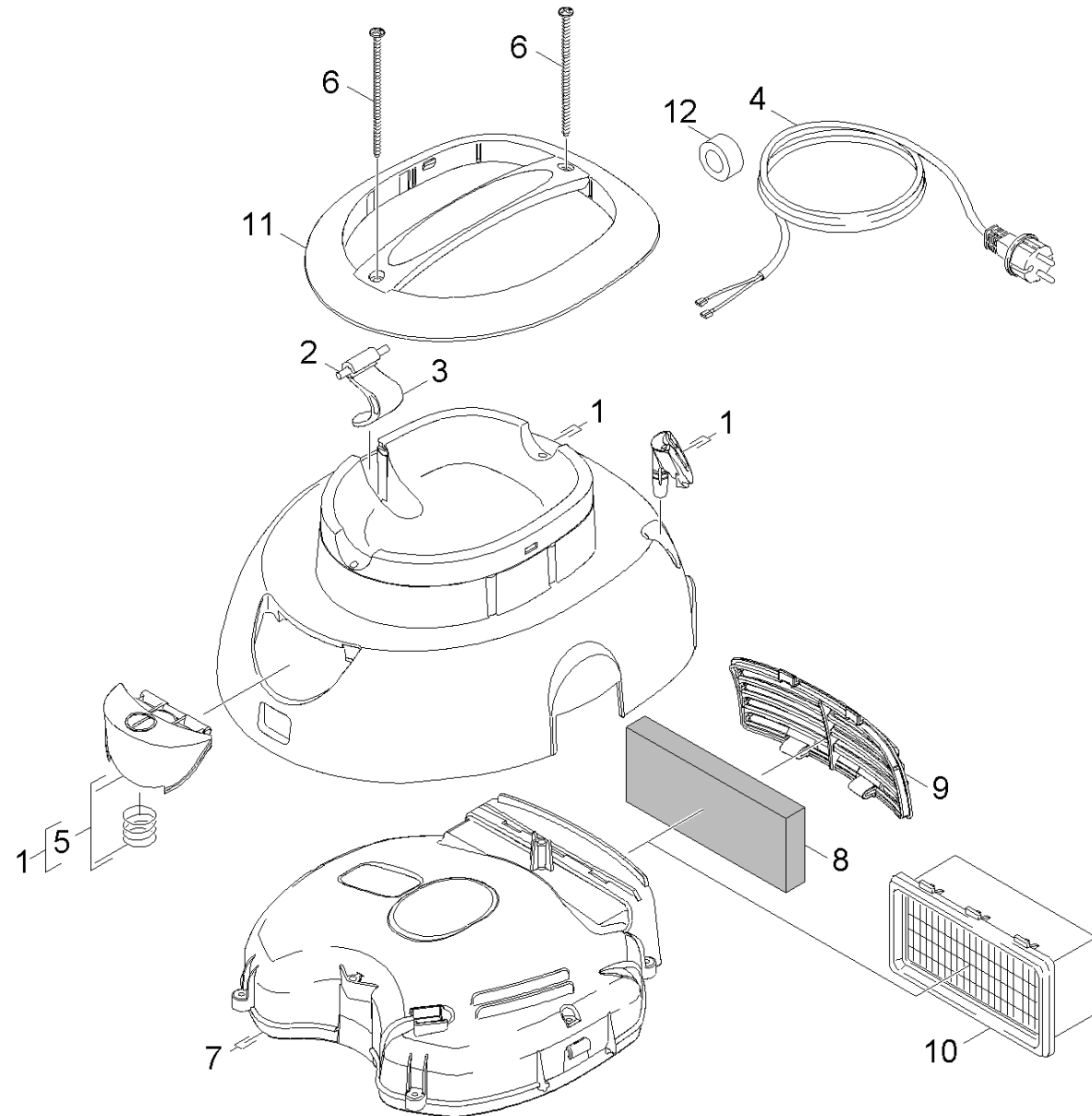


## 10 Housing

Overview technical documents/Professional/Vacuum cleaner/Dry vacuum cleaner/T 12/1 Edition \*EU (1.355-114.0)/Spare parts list T 12/1/10 Housing



## 10 Housing

Overview technical documents/Professional/Vacuum cleaner/Dry vacuum cleaner/T 12/1 Edition \*EU (1.355-114.0)/Spare parts list T 12/1/10 Housing

| Rez.daļas/nodil.pakļ.daļas   | Poz. | Materiāla Nr. | Nosaukums                                | Daudzums | Pārdoš. vienība | no sēr. Nr. | līdz sēr. Nr. | Daž. informācija |
|--|------|---------------|--|----------|-----------------|-------------|---------------|------------------|
|  | 1    | 4.069-001.0   | Cover complete                           | 1.000    | ST              | 0000000000  | 0000000000    |                  |
|  | 2    | 7.314-032.0   | Straight pin 5m6x50 -St ISO 2338         | 1.000    | ST              | 0000000000  | 0000000000    |                  |
|  | 3    | 5.032-597.0   | Catch for cable                          | 1.000    | ST              | 0000000000  | 0000000000    |                  |
|  | 4    | 6.649-674.0   | Power cable 12m PVC *AU                  | 1.000    | ST              | 0000000000  | 0000000000    | *AU              |
| Pozīcijas teksts: / 1.355-103.0  |      |               |  |          |                 |             |               |                  |
|  | 4    | 6.649-675.0   | Power cable 12m PVC *CH                  | 1.000    | ST              | 0000000000  | 0000000000    | *CH              |
| Pozīcijas teksts: / 1.355-102.0  |      |               |  |          |                 |             |               |                  |
|  | 4    | 6.649-655.0   | Strāvas vads 12 m PVC *EU                | 1.000    | ST              | 0000000000  | 0000000000    | *EU              |
| Pozīcijas teksts: / 1.355-101.0 / -108.0 / -110.0 / -111.0 / -112.0 / -114.0 / -117.0 / -119.0                 |      |               |  |          |                 |             |               |                  |
|  | 4    | 6.649-673.0   | Power cable 12m PVC *GB                  | 1.000    | ST              | 0000000000  | 0000000000    | *GB              |
| Pozīcijas teksts: / 1.355-104.0  |      |               |  |          |                 |             |               |                  |
|  | 5    | 4.324-019.0   | Pushbutton complete                      | 1.000    | ST              | 0000000000  | 0000000000    |                  |
|  | 6    | 7.303-155.0   | Screw 5x100-A2-70 (IN6RD)                | 2.000    | ST              | 0000000000  | 0000000000    |                  |
|  | 7    | 4.692-031.0   | Air circulation complete                 | 1.000    | ST              | 0000000000  | 0000000000    |                  |
| X-X  | 8    | 6.414-802.0   | Izejas filtri                            | 1.000    | ST              | 0000000000  | 0000000000    |                  |
|  | 9    | 5.032-569.0   | Grate exhaust opening                    | 1.000    | ST              | 0000000000  | 0000000000    |                  |
| Pozīcijas teksts: 1.355-101.0 / -102.0 / -103.0 / -104.0 / -108.0 / -110.0 / -111.0 / -112.0 / -114.0 / -117.0 |      |               |  |          |                 |             |               |                  |
|  | 9    | 5.033-650.0   | Grate exhaust opening gusty grey RAL 703 | 1.000    | ST              |             |               |                  |
| Pozīcijas teksts: 1.355-119.0  |      |               |  |          |                 |             |               |                  |
| X-X  | 10   | 6.414-801.0   | Filtrs HEPA                              | 1.000    | ST              | 0000000000  | 0000000000    |                  |
|  | 11   | 5.321-727.0   | Handhold                                 | 1.000    | ST              | 0000000000  | 0000000000    |                  |
|  | 12   | 6.346-043.0   | Ferrite ring                             | 1.000    | ST              |             |               |                  |