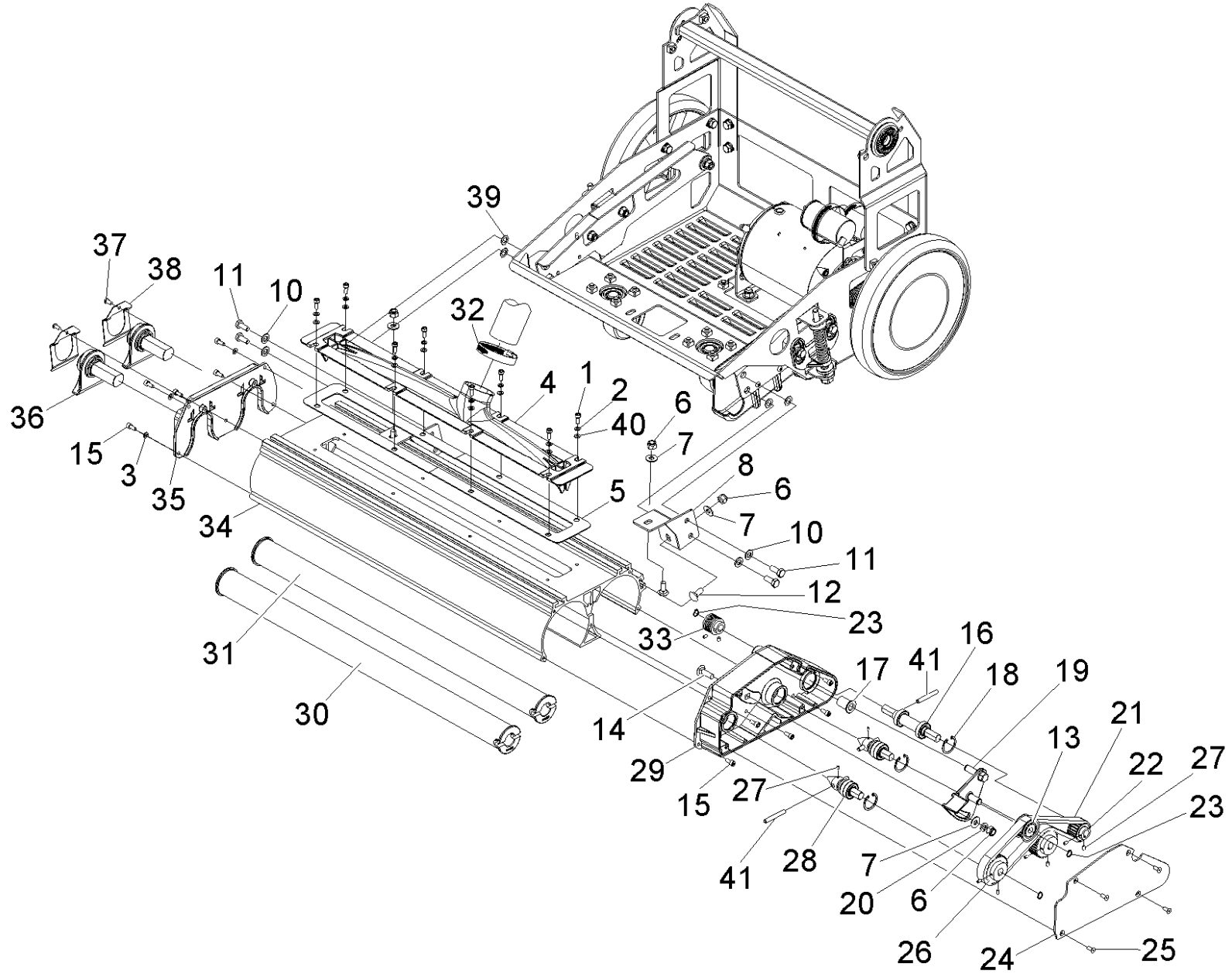


41 Suction bar

Professional \ Vacuum cleaner \ Dry vacuum cleaner \ CV 66/2 *EU \ Spare parts list CV 66/2 *EU \ Power brush \ Suction bar



41 Suction bar

Professional \ Vacuum cleaner \ Dry vacuum cleaner \ CV 66/2 *EU \ Spare parts list CV 66/2 *EU \ Power brush \ Suction bar



| POS | Article no. | Description | Quantity | Unit | Foot note text |
|-----|-------------|---|----------|------|---------------------------------|
| 16 | 8.629-320.0 | ASSEMBLY, JACK SHAFT, NUWAV | 1 | PC | |
| 17 | 8.621-523.0 | Bearing | 1 | PC | |
| 21 | 8.621-531.0 | BELT, TIMING, 5MM X 15MM X 575 | 1 | PC | |
| 19 | 8.621-553.0 | BRACKET, BELT TENSIONER | 1 | PC | |
| 30 | 8.621-612.0 | Brush | 1 | PC | ORDER TOGETHER WITH 8.621-611.0 |
| 31 | 8.621-611.0 | Brush | 1 | PC | ORDER TOGETHER WITH 8.621-612.0 |
| 32 | 8.621-675.0 | CLAMP, WORM GEAR 40 - 64MM | 1 | PC | |
| 34 | 8.621-781.0 | Covering cap | 1 | PC | |
| 5 | 8.621-814.0 | GASKET, VAC NOZZLE | 2 | PC | |
| 29 | 8.621-940.0 | HOUSING, BRUSH DRIVE | 1 | PC | |
| 35 | 8.621-941.0 | HOUSING, BRUSH RELEASE CLIP | 1 | PC | |
| 4 | 8.629-011.0 | NOZZLE, VACUUM, DECK | 1 | PC | |
| 6 | 8.627-083.0 | NUT, 5/16-18 HEX NYLOCK SS | 5 | PC | |
| 24 | 8.622-289.0 | PLATE, BRUSH DRIVE COVER | 1 | PC | |
| 22 | 8.622-331.0 | PULLEY, 5MM HTD, 18T, 12.7ID | 1 | PC | |
| 26 | 8.622-332.0 | PULLEY, 32T, 5MM HTD | 2 | PC | |
| 33 | 8.629-114.0 | PULLEY, MICRO-V, 1.125 OD | 1 | PC | |
| 23 | 8.622-349.0 | RING, 10MM EXT SNAP, DIN 471 | 2 | PC | |
| 18 | 8.622-352.0 | RING, 28MM INT SNAP PHOSPHATE | 3 | PC | |
| 13 | 8.601-278.0 | Roller | 1 | PC | |
| 12 | 8.629-338.0 | SCREW, 5/16-18 X .75 CARR | 4 | PC | |
| 14 | 8.627-713.0 | SCREW, 5/16-18 X 1 CARR SS | 1 | PC | |
| 37 | 8.617-298.0 | SCREW, KA50 X 10 OVHCS STL WN1412 ZNPLT | 2 | PC | |
| 25 | 8.617-297.0 | SCREW, M5 X 12 PHFLHMS SS ISO7046 | 4 | PC | |
| 15 | 8.629-340.0 | SCREW, M5-.8 X 12 SCHCS GR10.9 ZNPLT | 10 | PC | |
| 1 | 8.629-339.0 | SCREW, M5-.8 X 15 SCHCS GR10.9 BLKOX | 8 | PC | |
| 11 | 8.629-596.0 | SCREW, M10-1.5 X 20 HHMS GR8.8 ZNPLT | 4 | PC | |
| 41 | 8.622-417.0 | SHAFT, 6.2MM BRUSH DRIVE | 2 | PC | |
| 28 | 8.601-279.0 | SHAFT ASM, BRUSH DRIVE | 2 | PC | |
| 36 | 8.629-323.0 | SHAFT ASSY, BRUSH END CAP | 2 | PC | |
| 38 | 8.622-463.0 | SPRING, BRUSH CLIP | 2 | PC | |
| 27 | 8.622-378.0 | Threaded pin M4X8 | 10 | PC | |
| 7 | 8.601-067.0 | WASHER, 5/16 FLT SS | 5 | PC | |

41 Suction bar

Professional \ Vacuum cleaner \ Dry vacuum cleaner \ CV 66/2 *EU \ Spare parts list CV 66/2 *EU \ Power brush \ Suction bar

KÄRCHER

| POS | Article no. | Description | Quantity | Unit | Foot note text |
|-----|-------------|----------------------------------|----------|------|----------------|
| 3 | 8.617-335.0 | WASHER, M5 FLT SS ISO7089 | 5 | PC | |
| 40 | 8.617-333.0 | WASHER, M5 SS ISO7093 | 8 | PC | |
| 2 | 8.613-728.0 | WASHER, M8 FLT STL DIN125A ZNPLT | 8 | PC | |
| 10 | 8.601-072.0 | WASHER, M10 FNDR STL ZNPLT | 4 | PC | |
| 39 | 8.629-597.0 | WASHER, M10 INTLK | 4 | PC | |
| 20 | 8.627-913.0 | Washer 5/16 SPLIT LOCK PLTD | 1 | PC | |
| 8 | 8.629-246.0 | WELDMENT, DECK LEVELING BRKT | 2 | PC | |