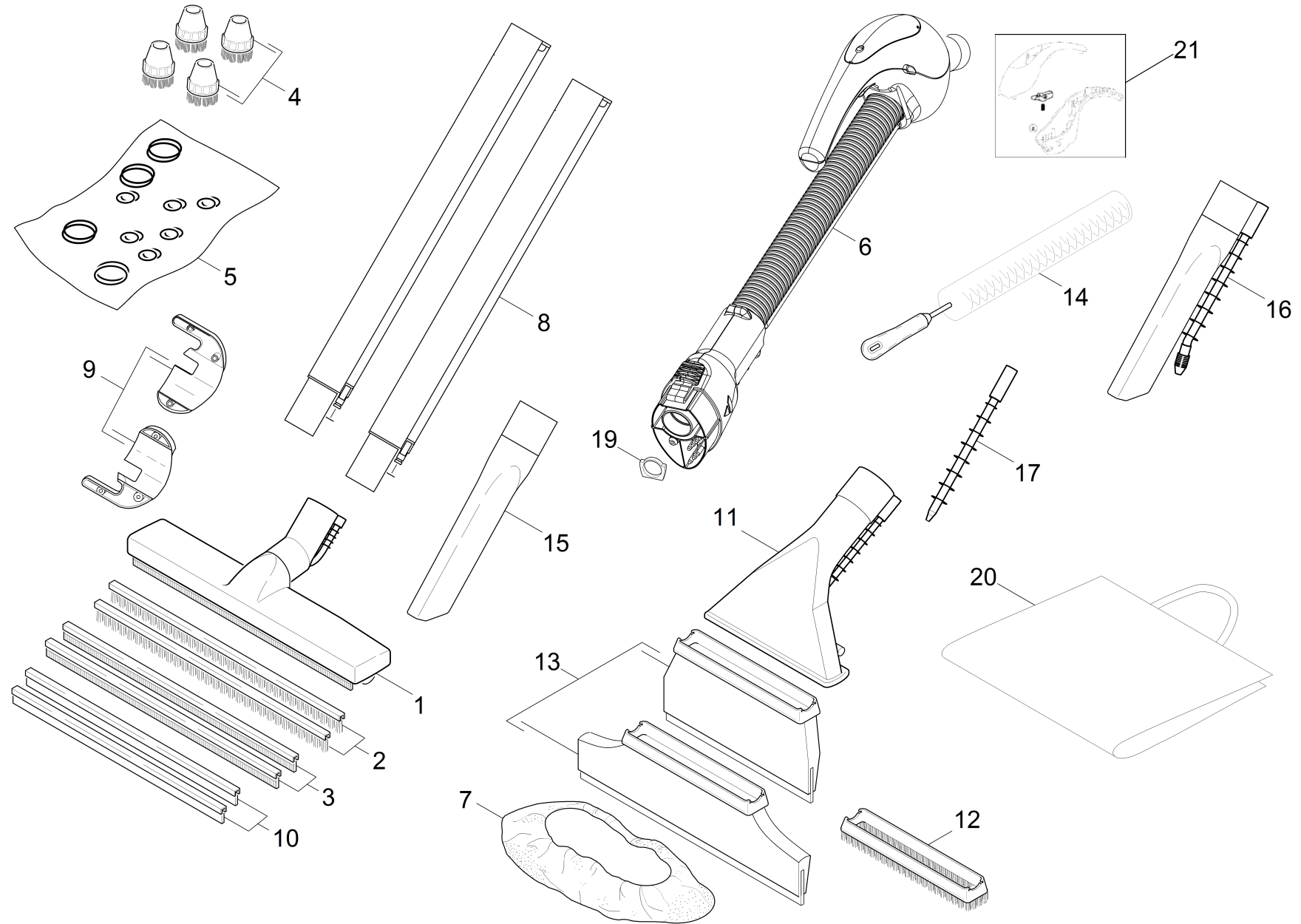


### 30 Accessories

Overview technical documents/Home & Garden/Steamer/SV 1905 \*EU (1.439-312.0)/Spare parts list SV 1905/30 Accessories



### 30 Accessories

Overview technical documents/Home & Garden/Steamer/SV 1905 \*EU (1.439-312.0)/Spare parts list SV 1905/30 Accessories

Rez.daļas/nodil.pakļ.daļas	Poz.	Materiāla Nr.	Nosaukums	Daudzums	Pārdoš. vienība	no sēr. Nr..	līdz sēr. Nr.
	1	6.402-034.0	Darbarīks grīdām - nomaiņai SV1802/1	1.000	ST	0000000000	0000000000
	2	6.402-037.0	Birstu lameļu komplekts SV1802/1902	1.000	ST	0000000000	0000000000
X-X	3	6.402-038.0	Gumiju komplekts SV1802/1902	1.000	ST	0000000000	0000000000
X-X	4	2.860-231.0	Set Brushes SV1802/1902	1.000	ST	0000000000	0000000000
X-X	5	6.402-005.0	Gredzenblīvju komplekts - SV 1802/1902	1.000	ST	0000000000	0000000000
X-X	6	6.402-055.0	Steam hose complete replacement SV 1905	1.000	ST	0000000000	0000000000
X-X	7	6.370-990.0	Frotē pārvalku komplekts 5 gab.	1.000	ST	0000000000	0000000000
X-X	8	6.402-060.0	Suction tube complete replacement SV 190	2.000	ST	0000000000	0000000000
	9	6.402-036.0	Stiprinājums - nomaiņai SV1802/1902	1.000	ST	0000000000	0000000000
	10	6.402-039.0	Gumiju komplekts, cietas SV1802/1902	1.000	ST		
	11	6.402-040.0	Korpuss mīksto mēbeļu uzg. Korp.	1.000	ST		
	12	6.402-041.0	Birstes vainags SV 1802/1902	1.000	ST		
	13	6.402-042.0	Gumijas rokas uzgalim SV 1802/1902	1.000	ST		
	14	6.402-043.0	Brush pipe cleaning SV 1802/1902	1.000	ST		
	15	6.900-385.0	Šaurais uzgalis stūriem DN35	1.000	ST		
X	16	6.402-044.0	Punktveida uzgalis SV 1802/1902	1.000	ST		
	17	6.402-045.0	Pagarinājuma uzgalis SV 1802/1902	1.000	ST		
	18	2.863-150.0	Upholstery nozzle NW 35	1.000	ST		
	19	5.439-002.0	Form seal steam hose replacement SV	1.000	ST		
	20	6.402-048.0	Pocket accessories SV 1802/1902	1.000	ST		