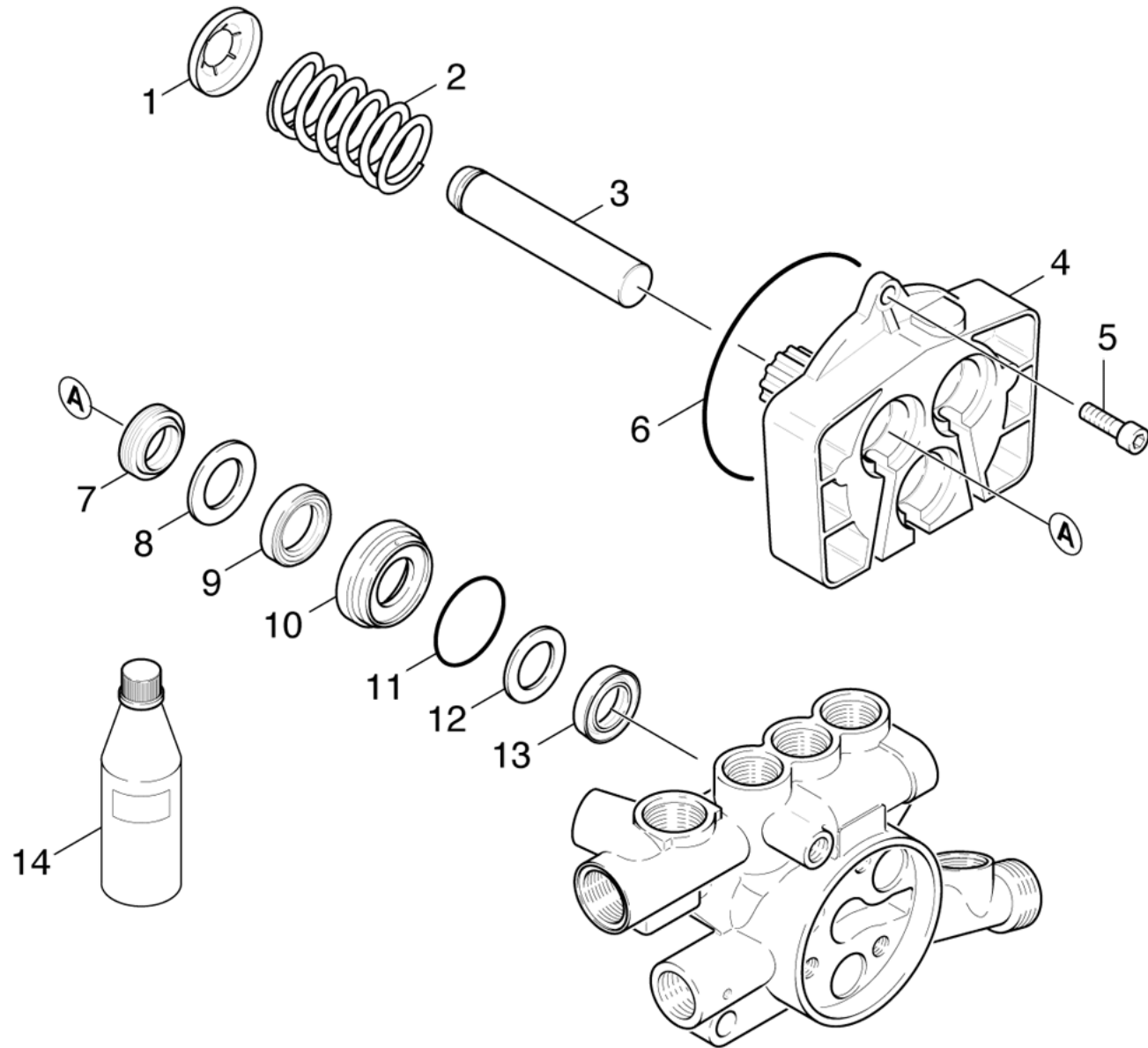


# 21 Piston

Professional \ High pressure cleaner hotwater \ Electric motor \ HDS 697 CI+D.S. \*EU \ Spare parts list HDS 697 CI \ Pump set \ Piston



## 21 Piston

Professional \ High pressure cleaner hotwater \ Electric motor \ HDS 697 CI+D.S. \*EU \ Spare parts list HDS 697 CI \ Pump set \ Piston

POS	Article no.	Description	Quantity	Unit
1	5.030-500.0	Moulded part	3.000	ST
2	5.332-206.0	Helical spring	3.000	ST
3	5.553-276.0	Piston	3.000	ST
4	5.060-451.0	Housing	1.000	ST
5	7.306-090.0	Screw M6x16 -8.8-R3R (In6Rd)	2.000	ST
6	6.362-768.0	O-Ring seal 88.0X 2.2	1.000	ST
7	6.365-322.0	Grooved ring 16X24X7	3.000	ST
8	5.115-493.0	Washer	3.000	ST
9	6.365-351.0	Compact seal 16 x 24 x 4	3.000	ST
10	5.112-402.3	Bush	3.000	ST
11	6.362-398.0	O-Ring seal 27,5 X 1,5-NBR 70	3.000	ST
12	5.115-425.0	Washer	1.000	ST
13	6.365-354.0	Grooved ring 16X24X5,3	3.000	ST
14	6.288-016.0	Gear oil 1L	1.000	ST