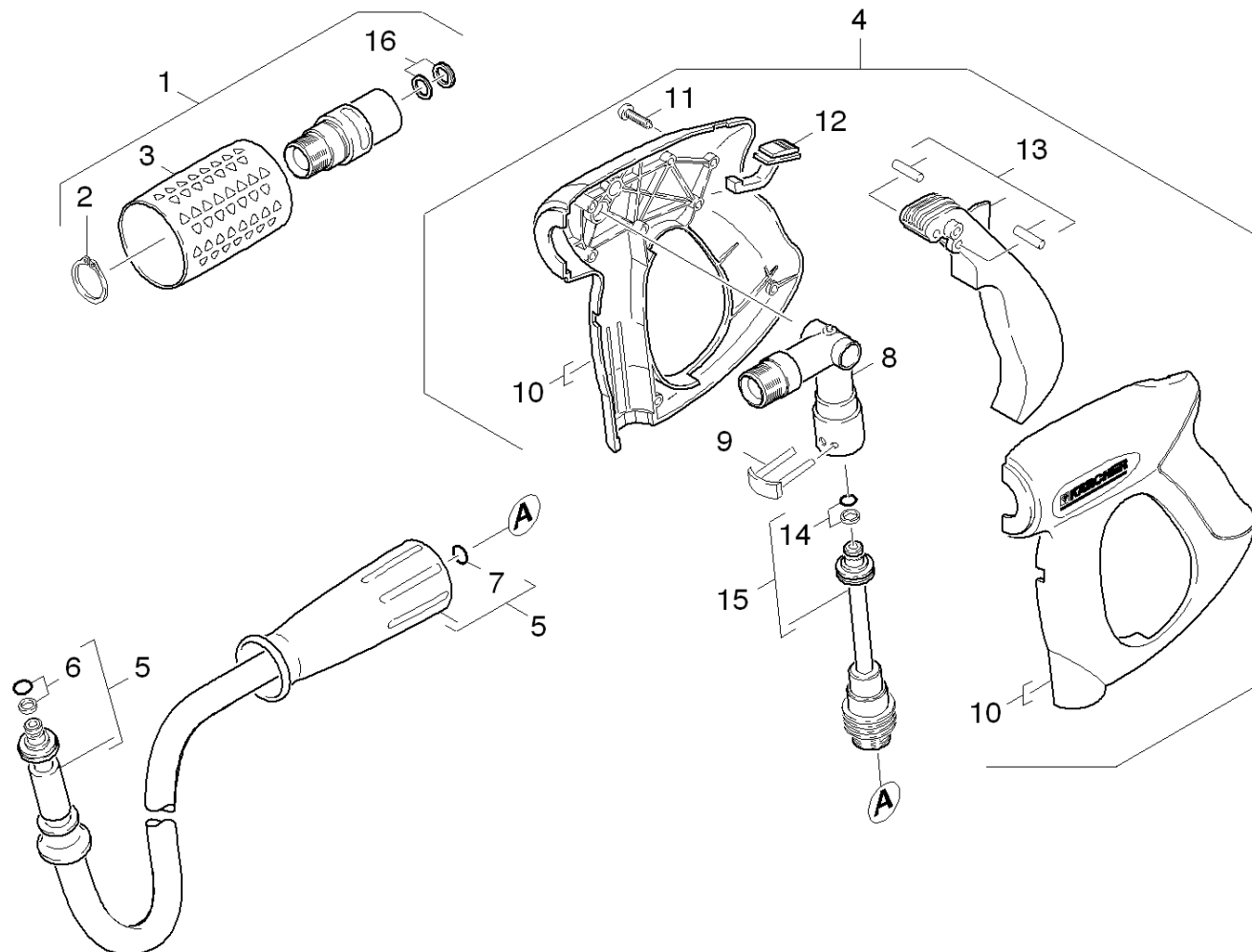


101 Hand trigger gun

Overview technical documents/Professional/High pressure cleaner hotwater/Electric motor/HDS 895

*BNL (1.027-326.0)/Spare parts list HDS M Eco BeNeLux/100 Accessories/101 Hand trigger gun



101 Hand trigger gun

Overview technical documents/Professional/High pressure cleaner hotwater/Electric motor/HDS 895 *BNL (1.027-326.0)/Spare parts list HDS M Eco BeNeLux/100 Accessories/101 Hand trigger gun

Rez.daļas/nodil.pakļ.daļas	Poz.	Materiāla Nr.	Nosaukums	Daudzums	Pārdoš. vienība	no sēr. Nr..	līdz sēr. Nr.
X-X	1	4.775-466.0	Hand Trigger Gun	1.000	ST	0000000000	0000000000
X	2	7.343-069.0	Locking ring	1.000	ST	0000000000	0000000000
	3	5.321-668.0	Handle	1.000	ST	0000000000	0000000000
X-X	4	4.775-470.0	Rotary controller 416L	1.000	ST	0000000000	0000000000
X-X	5	6.390-171.0	Augstspiediena šļūtene DN8	1.000	ST	0000000000	0000000000
X-X	6	4.363-691.0	O-ring seal	1.000	ST	0000000000	0000000000
X-X	7	2.880-990.0	spare part set o ring from 2.880-296.0	1.000	ST	0000000000	0000000000
X-X	8	4.427-215.0	Spare part	1.000	ST	0000000000	0000000000
X-X	9	4.037-013.0	Spare part	1.000	ST	0000000000	0000000000
X	10	5.321-669.0	Tureklis	1.000	ST	0000000000	0000000000
	11	7.303-096.0	Skrūve 4x22 -ST-10.9-R2R (IN6RD)	1.000	ST	0000000000	0000000000
	12	5.481-331.0	Slīdnis	1.000	ST	0000000000	0000000000
X	13	4.481-209.0	level complete	1.000	ST	0000000000	0000000000
X-X	14	4.363-691.0	O-ring seal	1.000	ST	0000000000	0000000000
X-X	15	4.421-739.0	Adapter pipeline	1.000	ST	0000000000	0000000000
X-X	16	4.363-695.0	Grooved ring	1.000	ST		