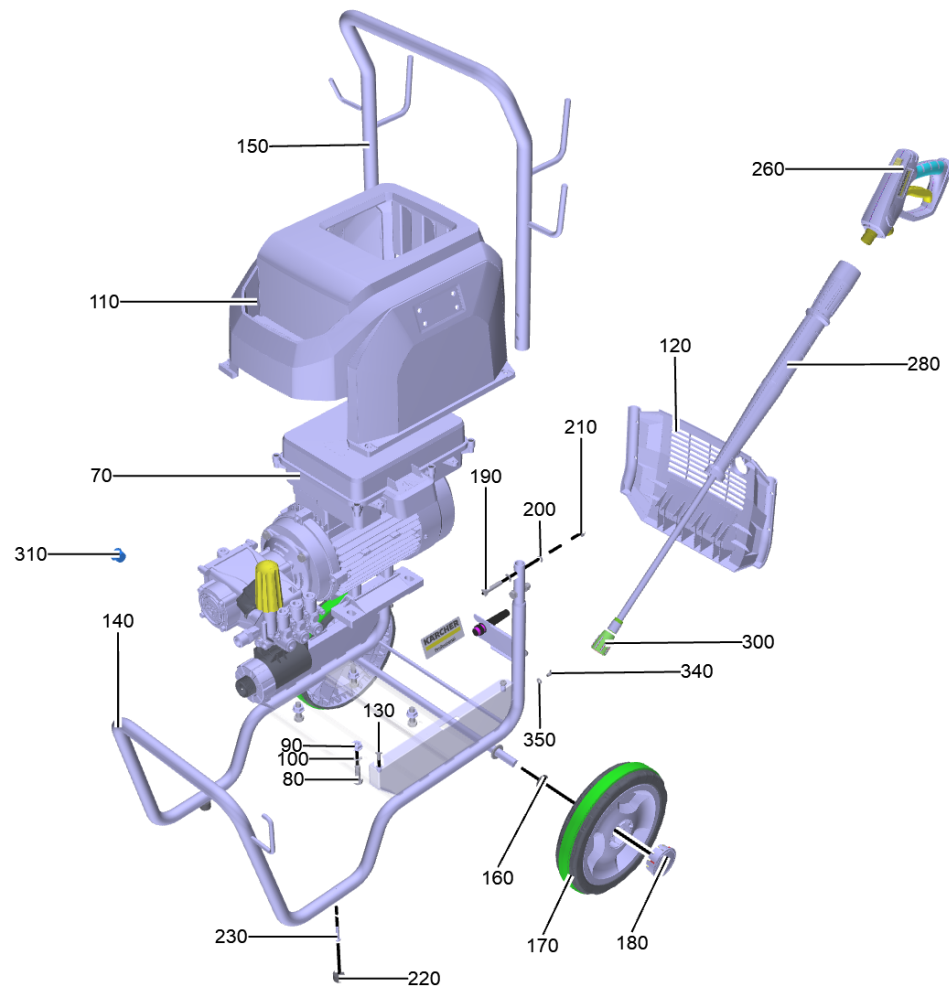


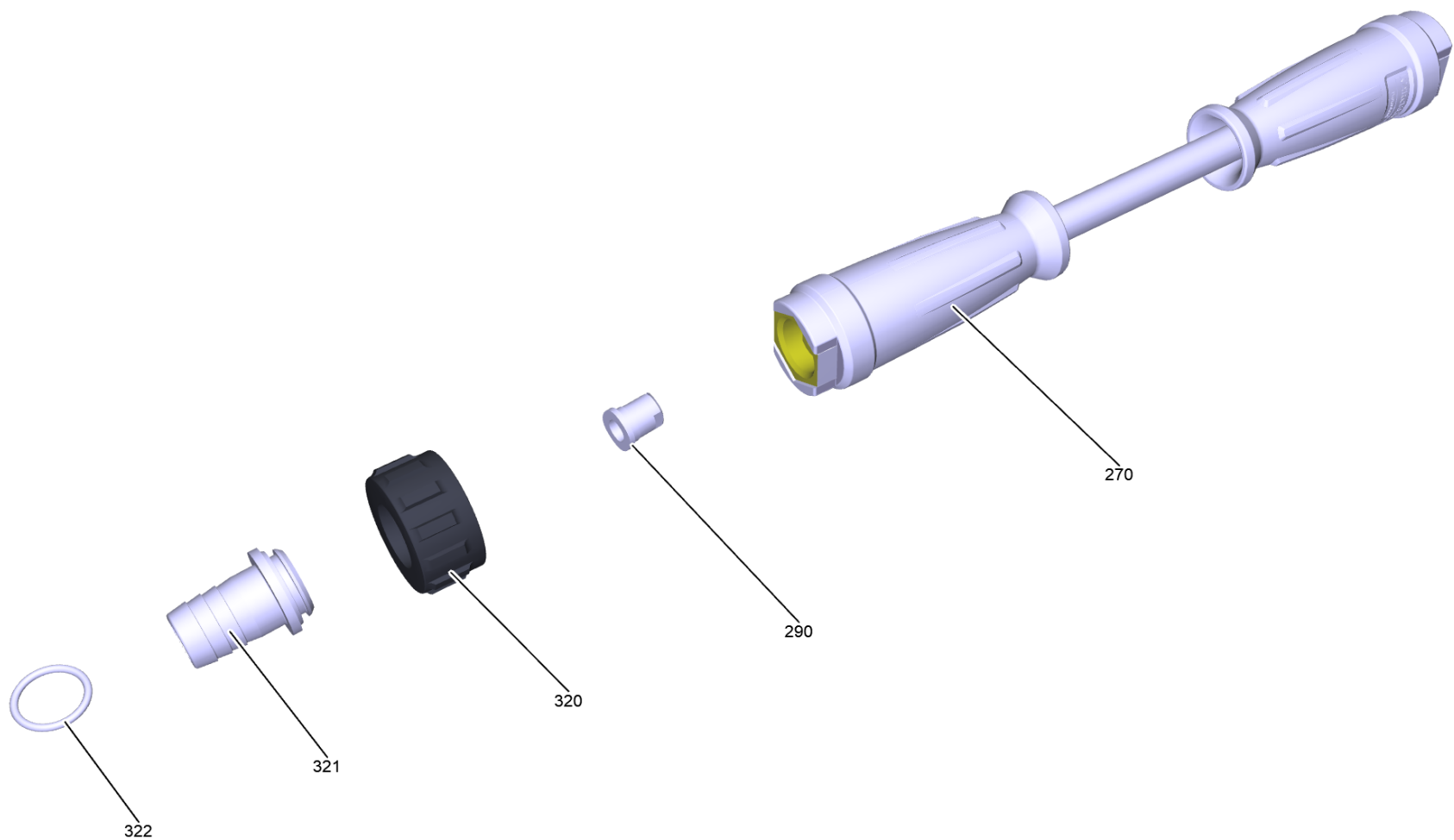
Spare parts list

(1.367-902.0) HD 7/18-4 M Classic *EU

Table of contents

HD 7/18-4 M Classic *EU (1.367-902.0)	3
70 Pump set with motor HD 7/18	7
10 Motor complete HD 7/18 (9.751-653.0)	9
10 Motor 4.1kw	11
70 Switch complete *CN (9.751-649.0)	12
30 Pump set pressure switch for replacement HD 7/18 (9.751-825.0)	13
10 Crankshaft housing for replacement 7/18 (9.751-782.0)	14
7 Piston rod complete (9.751-695.0)	16
20 Pump head complete for replacement 7/18 (9.751-783.0)	17
29 Unloader valve complete for replacement HD 7/18 (9.751-830.0)	19
100 Water Filter (9.751-670.0)	20
60 Filter cartridge (9.751-671.0)	22
140 Frame (9.751-661.0)	23
270 Hose assembly TR DN8 max 31,5MPa 10m (4.119-005.0)	25
280 Jet pipe TR 840mm Classic (9.751-508.0)	26
300 Protection part nozzle TR (5.394-123.0)	28
1 Union nut TR nozzle (5.645-973.0)	29



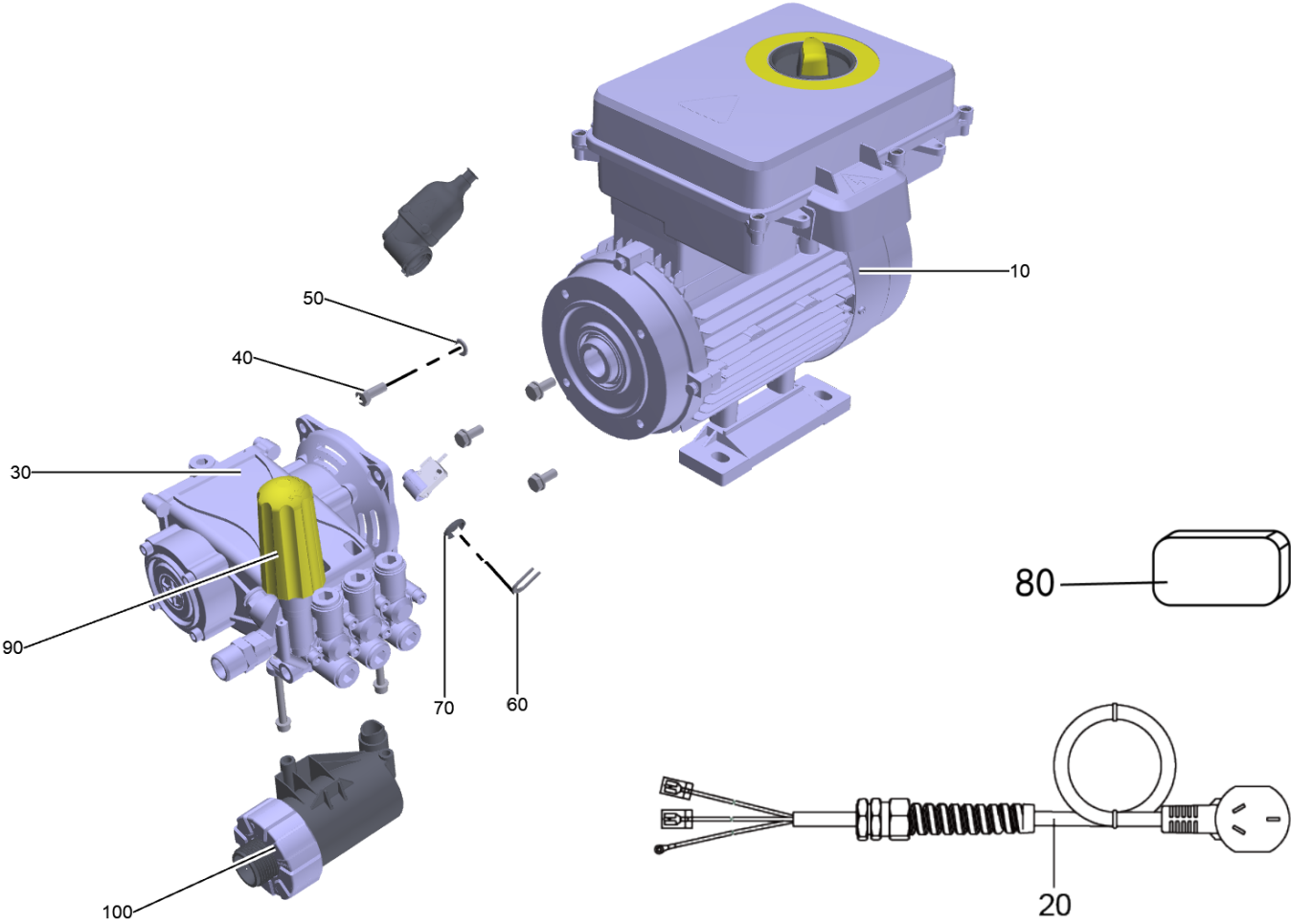


HD 7/18-4 M Classic *EU (1.367-902.0)

POS	Article no.	Description	Quantity	Unit
420	9.751-797.0	Bearing assembly tool	1	PC
430	9.751-798.0	Bearing Disassembly tool	1	PC
440	9.751-803.0	Check valve assembly tool ES1	1	PC
100	9.768-899.0	Contact disk 10mm	4	PC
110	9.768-888.0	Cover HD-M	1	PC
140	9.751-661.0	Frame	1	PC
150	9.751-662.0	Hand grip complete	1	PC
80	6.304-083.0	Hexagonal head screw 3/8"-16UNC 1 1/12"	4	PC
190	7.304-404.0	Hexagonal head screw M8x40-8.8-A2E ISO	4	PC
80	7.304-419.0	Hexagonal head screw M10x35-8.8-A3E ISO	4	PC
	Item text1: replaced by 6.304-083.0			
210	7.311-510.0	Hexagon nut M8-8-A2E ISO 7040	4	PC
90	9.768-890.0	Hexagon nut M10	4	PC
270	4.119-005.0	Hose assembly TR DN8 max 31,5MPa 10m	1	PC
321	5.443-291.0	Hose stem	1	PC
280	9.751-508.0	Jet pipe TR 840mm Classic	1	PC
30	5.385-365.0	Label 93 dB	1	PC
60	5.385-502.0	Label logo clipped L Professional	2	PC
160	9.761-044.0	Lock washer 6.343-168.0	2	PC
320	5.310-076.0	Nut	1	PC
322	9.761-049.0	O-Ring seal 19,3x2,4	1	PC
390	9.751-793.0	Oil seal assembly tool ES1	1	PC
410	9.751-796.0	Oil seal assembly tool flange	1	PC
380	9.751-791.0	Oil seal disassembly ES1	1	PC
260	4.119-002.0	Pistol Classic TR 155°C	1	PC
290	5.765-201.0	Power nozzle TR 25038	1	PC
310	5.394-378.0	Protecting cap TR 22	1	PC
300	5.394-123.0	Protection part nozzle TR	1	PC
70		Pump set with motor HD 7/18	1	PC
120	9.768-866.0	Rear panel	1	PC
220	9.761-041.0	Rubber buffer 6.339-007.0	2	PC
340	7.303-046.0	Screw M6x12 -St-R3R (In6Rd)	4	PC
130	7.306-090.0	Screw M6x16 -8.8-P2R (In6Rd)	4	PC

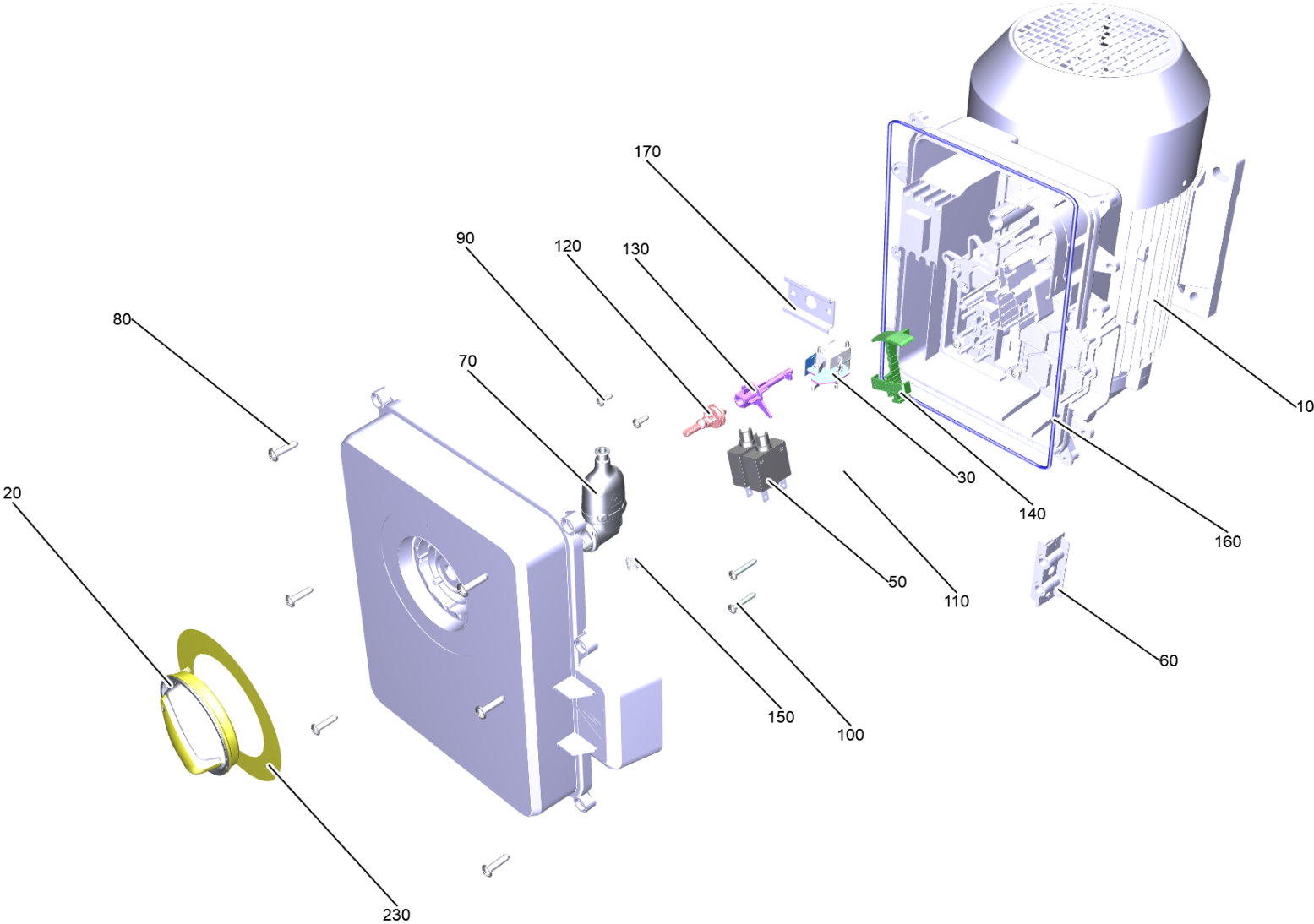
HD 7/18-4 M Classic *EU (1.367-902.0)

POS	Article no.	Description	Quantity	Unit
230	6.303-548.0	Self-tapping screw M6x30	2	PC
50	5.387-620.0	Warning sign new	1	PC
350	7.312-140.0	Washer 6-160HV-A3E ISO 8738	4	PC
200	7.312-004.0	Washer 8 -200HV-A3E ISO 7089	8	PC
400	9.751-795.0	Water seal assembly tool ES1	1	PC
180	9.768-729.0	Wheel D 250 cap	2	PC
170	9.768-731.0	Wheel station	2	PC



70 Pump set with motor HD 7/18

POS	Article no.	Description	Quantity	Unit
20	9.768-860.0	Cable with plug 3~	1	PC
70	5.367-003.0	Diaphragm	1	PC
90	9.768-938.0	Handle	1	PC
40	7.304-397.0	Hexagonal head screw M8x20-8.8-A2E ISO	4	PC
10	9.751-653.0	Motor complete HD 7/18	1	PC
80	9.775-101.0	Parallel key for replacement	1	PC
30	9.751-825.0	Pump set pressure switch for replacement HD 7/18	1	PC
60	5.034-494.0	Retaining bracket	1	PC
50	7.312-004.0	Washer 8 -200HV-A3E ISO 7089	4	PC
100	9.751-670.0	Water Filter	1	PC



10 Motor complete HD 7/18 (9.751-653.0)

POS	Article no.	Description	Quantity	Unit
180	9.768-873.0	Cable 1,5mm2 380mm	1	PC
250	9.775-014.0	Cable 1.5mm2 280	1	PC
240	9.775-022.0	Cable 1.5mm2 280mm	1	PC
190	9.768-874.0	Cable 1.5mm2 380mm	1	PC
220	6.594-709.0	Cable tie	3	PC
40	9.768-749.3	Contactor NC1-18Z for replacement	1	PC
	Item text1: replaced by 9.768-749.0			
40	9.768-749.0	Contactor NC1-1810	1	PC
	Item text1: successor of 9.768-749.3			
20	9.768-877.0	Handle on/off rocker switch	1	PC
150	5.332-259.0	Helical spring	1	PC
230	9.768-892.0	Label on/off *EU HD-M	1	PC
30	6.961-079.0	Micro switch	1	PC
	Item text1: replaced by 6.961-079.3			
30	6.961-079.3	Micro switch	1	PC
	Item text1: successor of 6.961-079.0			
10		Motor 4.1kw	1	PC
170	9.768-884.0	Mounting part	1	PC
50	6.630-995.3	Safety switch (20A)	2	PC
90	7.303-106.0	Screw 4x12-10.9-R2R (In6Rd)	3	PC
100	7.303-084.0	Screw 4x25-10.9-R2R (K-In6Rd)	2	PC
80	7.303-108.0	Screw 5x20-10.9-R2R (In6Rd)	6	PC
160	9.761-027.0	Seal string cellular rubber 3 -6.273-07	0,85	m
120	9.768-881.0	Selector shaft	1	PC
130	9.768-882.0	Selector shaft electric control box	1	PC
140	9.768-883.0	Slider E-T-A	1	PC
110	9.768-880.0	Spring tripping segment	1	PC
70	9.751-649.0	Switch complete *CN	1	PC
60	9.768-914.0	Tensioning part 10.0/7.0	2	PC

10 Motor 4.1kw

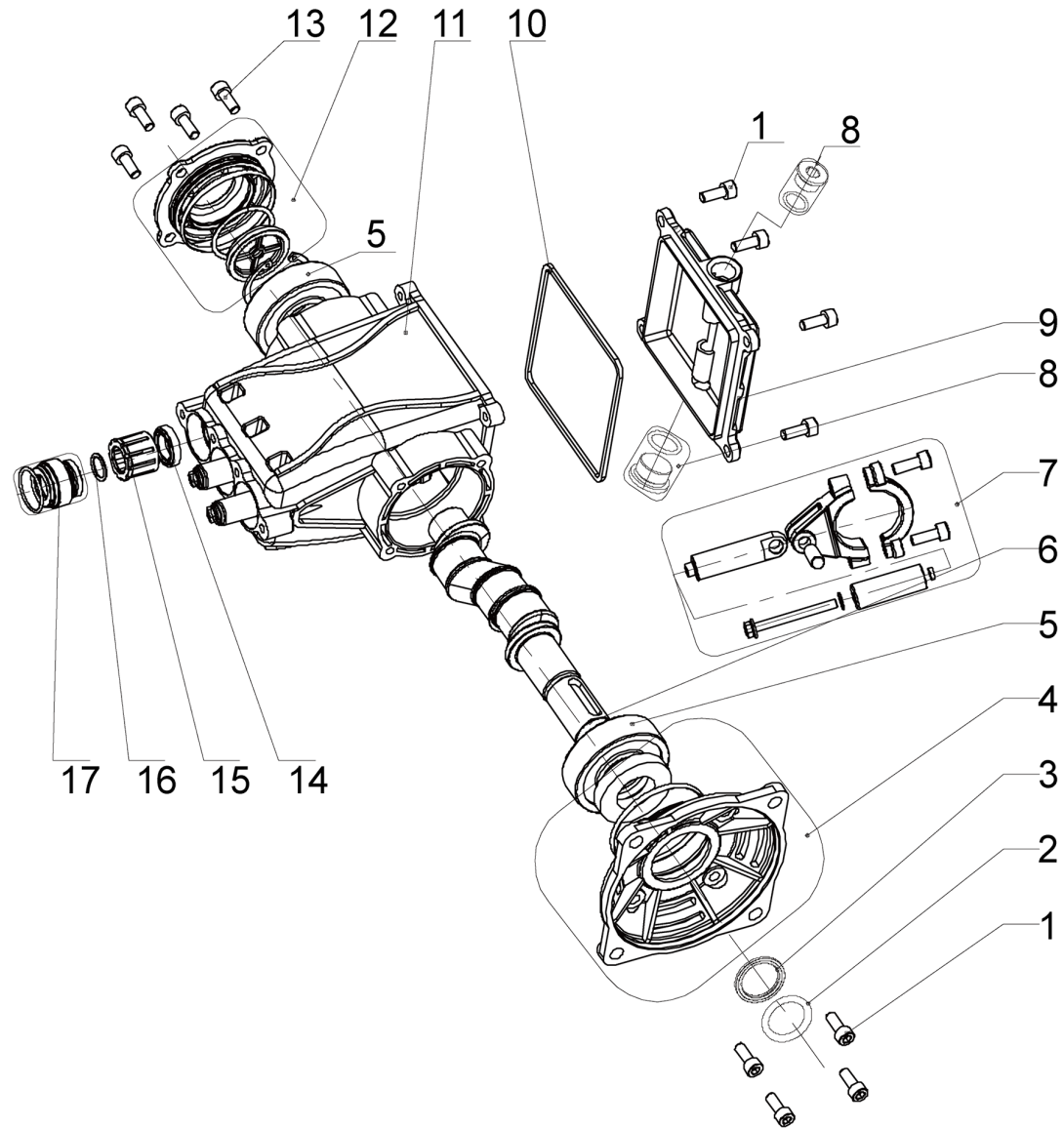
POS	Article no.	Description	Quantity	Unit
10	9.768-875.0	Bottom part cabinet	1	PC
80		Cable 1,5mm2 150mm	1	PC
70		Cable 1,5mm2 180mm	1	PC
60		Cable 1,5mm2 220mm	1	PC
20	9.768-876.0	Cover cabinet ETA	1	PC
90		Motor support 112 for replacement	2	PC
50	7.306-180.0	Screw M5x10-A2-70 (In6Rd)	5	PC
30	7.306-090.0	Screw M6x16 -8.8-P2R (In6Rd)	1	PC
40	7.306-118.0	Screw M6x35 -8.8-P2R (In6Rd)	1	PC

70 Switch complete *CN (9.751-649.0)

POS	Article no.	Description	Quantity	Unit
30	7.314-664.0	Straight grooved pin 3,0x20-KU ISO 8740	1	PC

30 Pump set pressure switch for replacement HD 7/18 (9.751-825.0)

POS	Article no.	Description	Quantity	Unit
10	9.751-782.0	Crankshaft housing for replacement 7/18	1	PC
20	9.751-783.0	Pump head complete for replacement 7/18	1	PC

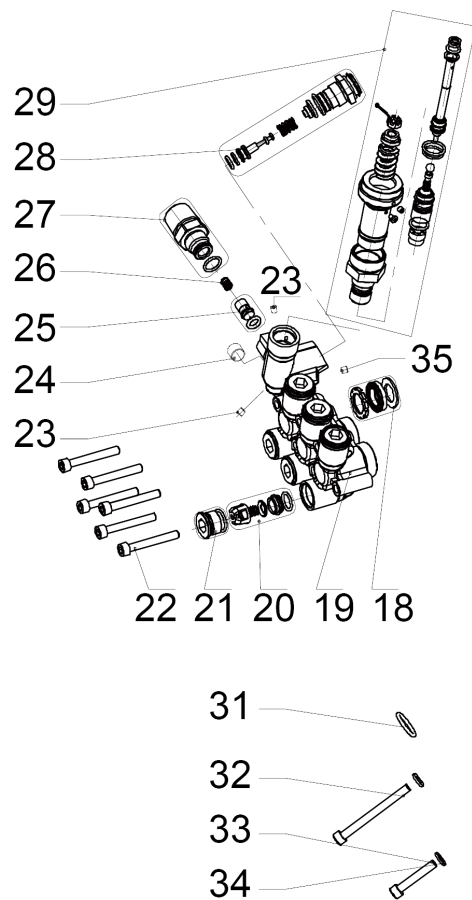


10 Crankshaft housing for replacement 7/18 (9.751-782.0)

POS	Article no.	Description	Quantity	Unit
12	9.751-698.0	Cap complete	1	PC
9	9.768-958.0	Cover	1	PC
6	9.768-957.0	Crankshaft 15	1	PC
5	9.768-502.0	Deep groove ball thrust bearing 6305	2	PC
4	9.751-685.0	Flange complete	1	PC
14	9.768-961.0	Grooved ring 15x24x7	3	PC
11	9.768-960.0	Housing	1	PC
16	9.768-963.0	O-ring seal 13x1.8	3	PC
3	9.768-907.0	O-Ring seal for replacement 23.16*5.33, 70°	1	PC
7	9.751-695.0	Piston rod complete	3	PC
1	9.768-901.0	Screw for replacement M6*16, 12.9	8	PC
13	9.768-485.0	Screw M6*12	1	PC
8	9.751-697.0	Screw plug	2	PC
10	9.768-959.0	Sealing	1	PC
17	9.751-689.0	Sealing complete	3	PC
2	9.768-902.0	Sealing for replacement ES1	1	PC
15	9.768-962.0	Support ring	3	PC

7 Piston rod complete (9.751-695.0)

POS	Article no.	Description	Quantity	Unit
10	9.751-938.0	Piston complete for replacement	1	PC

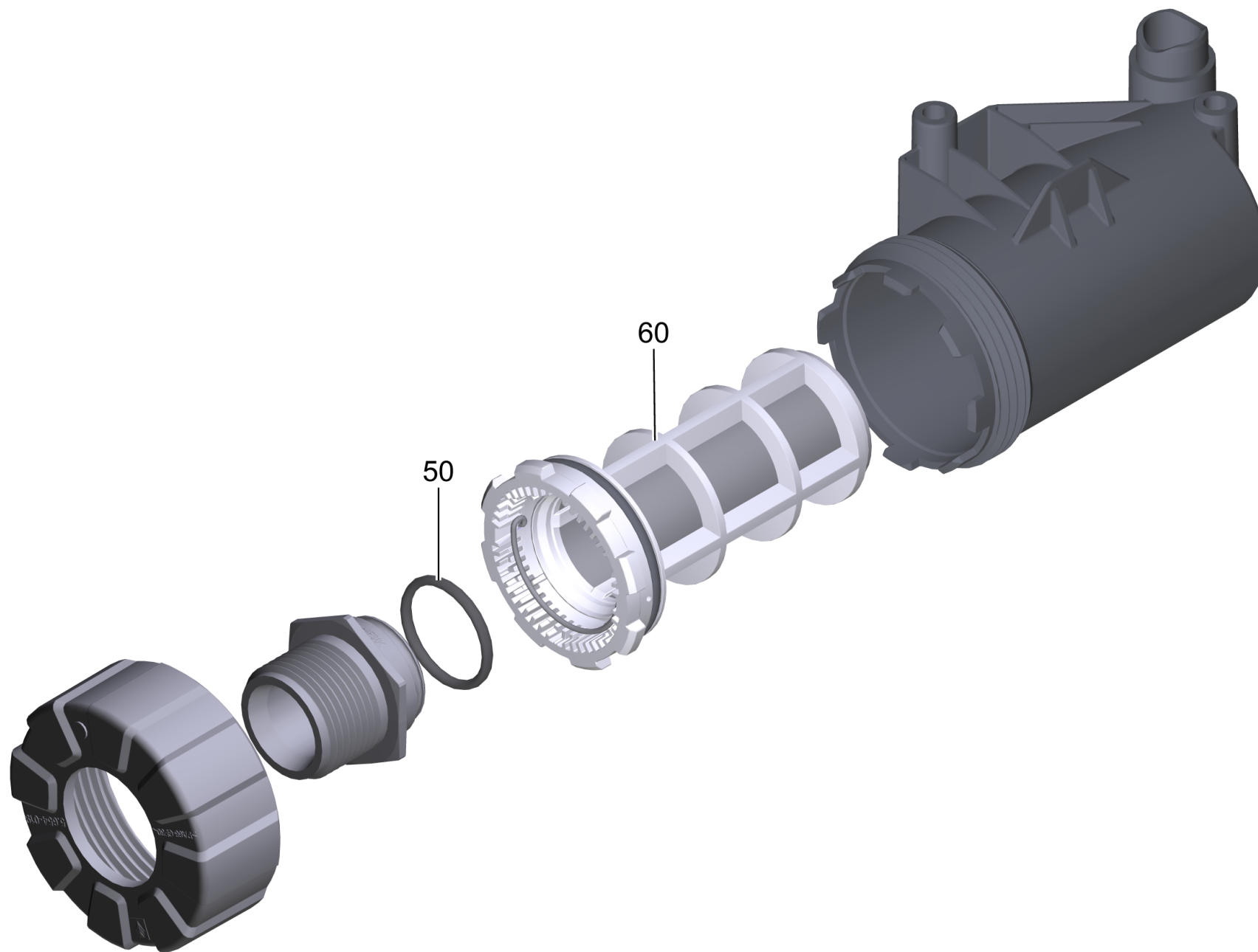


20 Pump head complete for replacement 7/18 (9.751-783.0)

POS	Article no.	Description	Quantity	Unit
25	9.751-693.0	Check valve	1	PC
20	9.751-694.0	Check valve complete	6	PC
28	9.751-686.0	Control piston valve complete	1	PC
33	7.306-025.0	Cylinder head screw M 6x35-8.8-A2E ISO4	1	PC
35	6.288-050.0	Engine oil 1L	1	PC
19	9.768-964.0	Housing cylinder head pressure switch ES1	1	PC
31	9.768-921.0	O-Ring seal 18x2.65 NBR-70	1	PC
23	9.775-059.0	Screw for replacement M5*6	2	PC
22	9.768-911.0	Screw for replacement M6*45, 12.9	6	PC
24	9.775-060.0	Screw for replacement M12*12	1	PC
32	9.768-498.0	Screw M6*65	1	PC
21	9.751-702.0	Screw plug	6	PC
27	9.775-093.0	Screw plug	1	PC
18	9.768-955.0	Sealing high pressure	3	PC
26	9.768-965.0	Spring	1	PC
29	9.751-830.0	Unloader valve complete for replacement HD 7/18	1	PC
34	7.312-003.0	Washer 6 -200HV-A3E ISO 7089	2	PC

29 Unloader valve complete for replacement HD 7/18 (9.751-830.0)

POS	Article no.	Description	Quantity	Unit
60		O-Ring seal 5.8x1.8 80°	1	PC
40		O-Ring seal 8x1.8 95°	1	PC
50	9.775-106.0	O-Ring seal 15x1.8 85°	1	PC

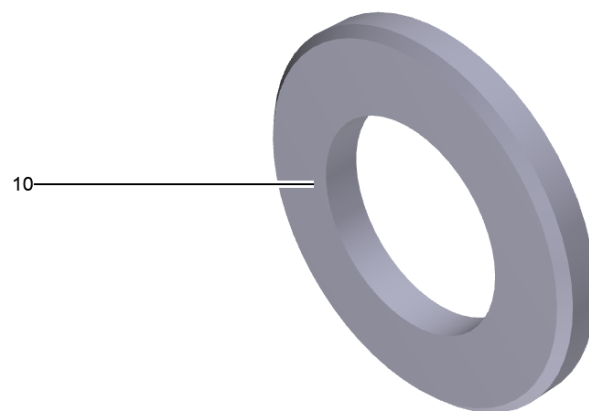


100 Water Filter (9.751-670.0)

POS	Article no.	Description	Quantity	Unit
60	9.751-671.0	Filter cartridge	1	PC
50	6.362-604.0	O-Ring seal 27,0 X 3,0	1	PC

60 Filter cartridge (9.751-671.0)

POS	Article no.	Description	Quantity	Unit
30	6.363-090.0	O-Ring seal 47,29 X 2,62 K7..MX	1	PC

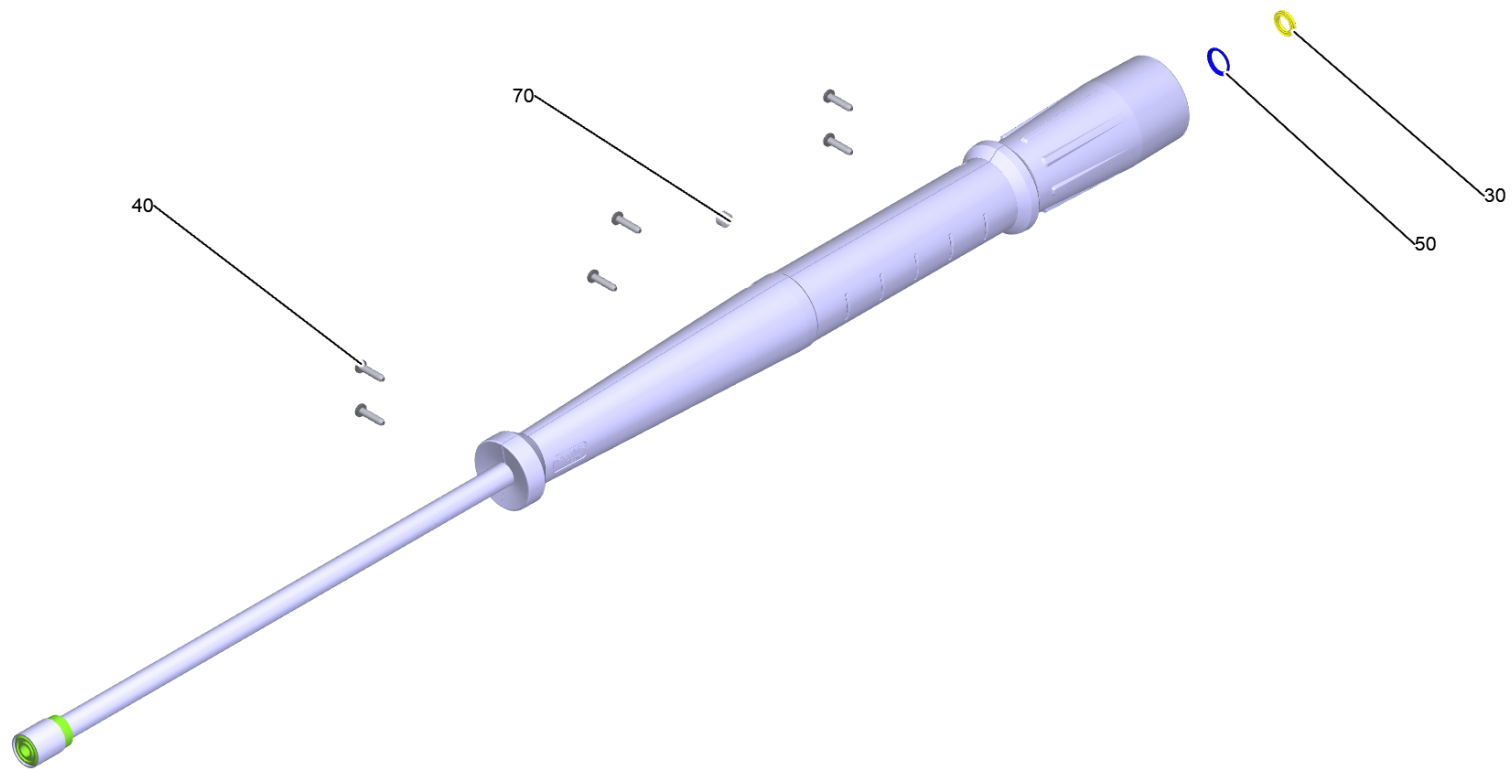


140 Frame (9.751-661.0)

POS	Article no.	Description	Quantity	Unit
10	7.312-019.0	Washer 16-200HV-A2K ISO 7089	2	PC

270 Hose assembly TR DN8 max 31,5MPa 10m (4.119-005.0)

POS	Article no.	Description	Quantity	Unit
70	7.362-501.0	O-Ring seal 10x2 EPDM 70 DIN 3770	1	PC



280 Jet pipe TR 840mm Classic (9.751-508.0)

POS	Article no.	Description	Quantity	Unit
50	6.362-177.0	O-Ring seal 9,75x1,78	1	PC
30	6.362-064.0	Quad joint ring 9.19x2.62	1	PC
40	7.303-129.0	Screw 4x16-10.9-R2R (K-In6Rd)	6	PC
70	7.307-407.0	Threaded pin M8x6-A2-21H ISO 4026	1	PC

300 Protection part nozzle TR (5.394-123.0)

POS	Article no.	Description	Quantity	Unit
1	5.645-973.0	Union nut TR nozzle	1	PC

1 Union nut TR nozzle (5.645-973.0)

POS	Article no.	Description	Quantity	Unit
20	7.252-313.0	HEX 24-CW612N-R410 EN12164	0,03	m