

Spare parts list

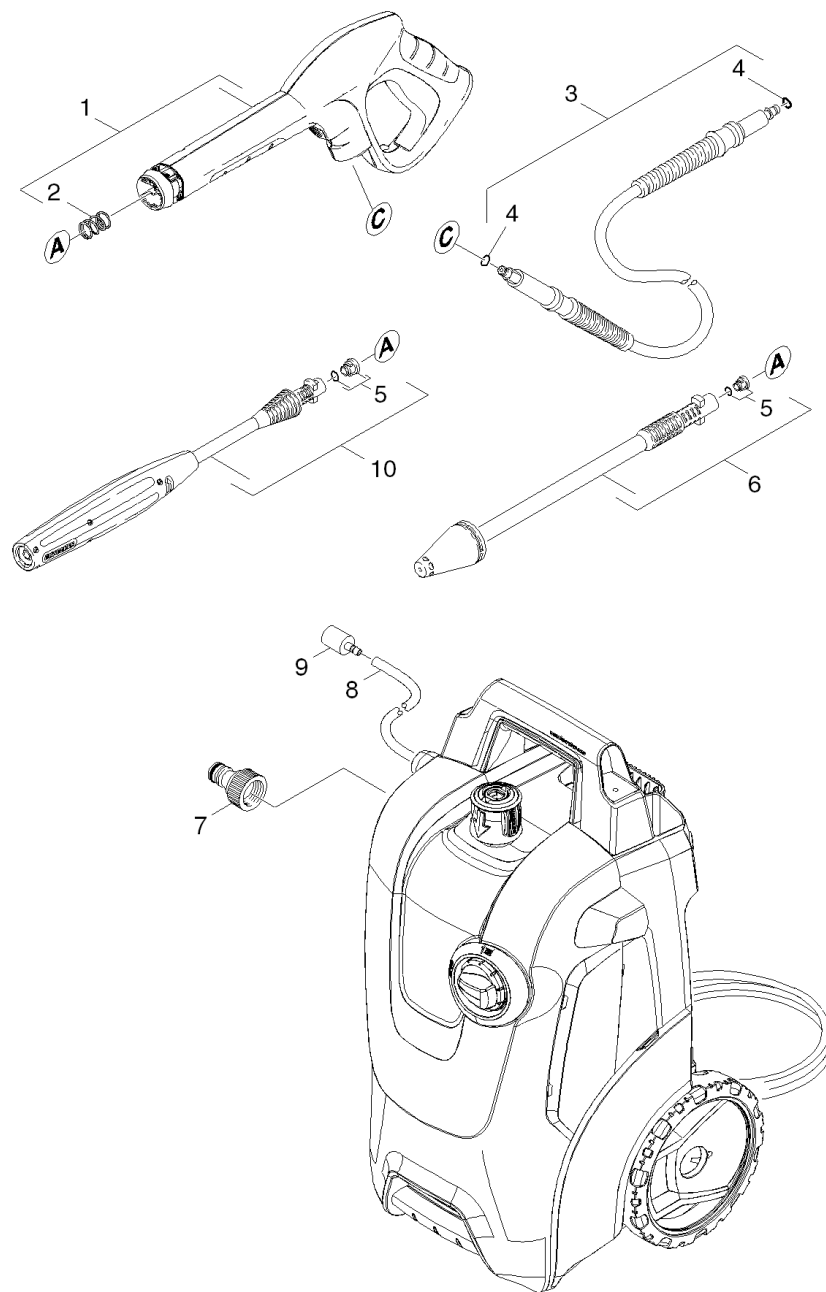
(1.630-700.0) K 5.200 Silver *EU

Table of contents

K 5.200 Silver *EU (1.630-700.0)	3
Short spare parts list	4
201 Spare parts list K5.200 Compact (5.971-490.0)	6
10 Housing	7
20 Pump set	9
21 Housing	10
13 Spare part set control head (9.001-800.0)	12
70 Nozzle insert (4.769-035.0)	14
15 Pump head Alu FC ric (9.002-456.0)	16
23 Nozzle insert (4.769-035.0)	18
22 Thrust guidance	20
30 Motor	22
7 Covering cap motor complete (9.001-918.0)	24
40 Accessories	26
41 Hand trigger gun	27
G 180 Q Trigger gun Quick Connect (2.642-889.0)	29
2 H 9 Q high pressure hose Quick Connect (2.641-721.0)	31
42 Jet pipe	33
3 Dirt blaster 031 St - CEM 14,5MPa (4.764-281.0)	35
43 Surface cleaner	37
1 Single-step jet pipe extension (2.643-240.0)	39
7 Spare parts nozzles T-Racer (2.643-338.0)	41
44 Surface cleaner T400 Plus	44
17 Spare parts nozzles T-Racer (2.643-338.0)	46
45 Foam nozzle	49
Foam nozzle packaged 0,3 l (2.641-848.0)	51
999 Spare parts list FJ 10 (5.970-966.0)	52
10 Foam lance	53
20 Foam nozzle	55
50 Electric box	57
Electric box complete (9.001-879.0)	59
Electric box complete (9.001-907.0)	61
Electric box complete (9.001-910.0)	63

K 5.200 Silver *EU (1.630-700.0)

POS	Article no.	Description	Quantity	Unit
0		Short spare parts list	1.000	ST
201	5.971-490.0	Spare parts list K5.200 Compact	1.000	ST

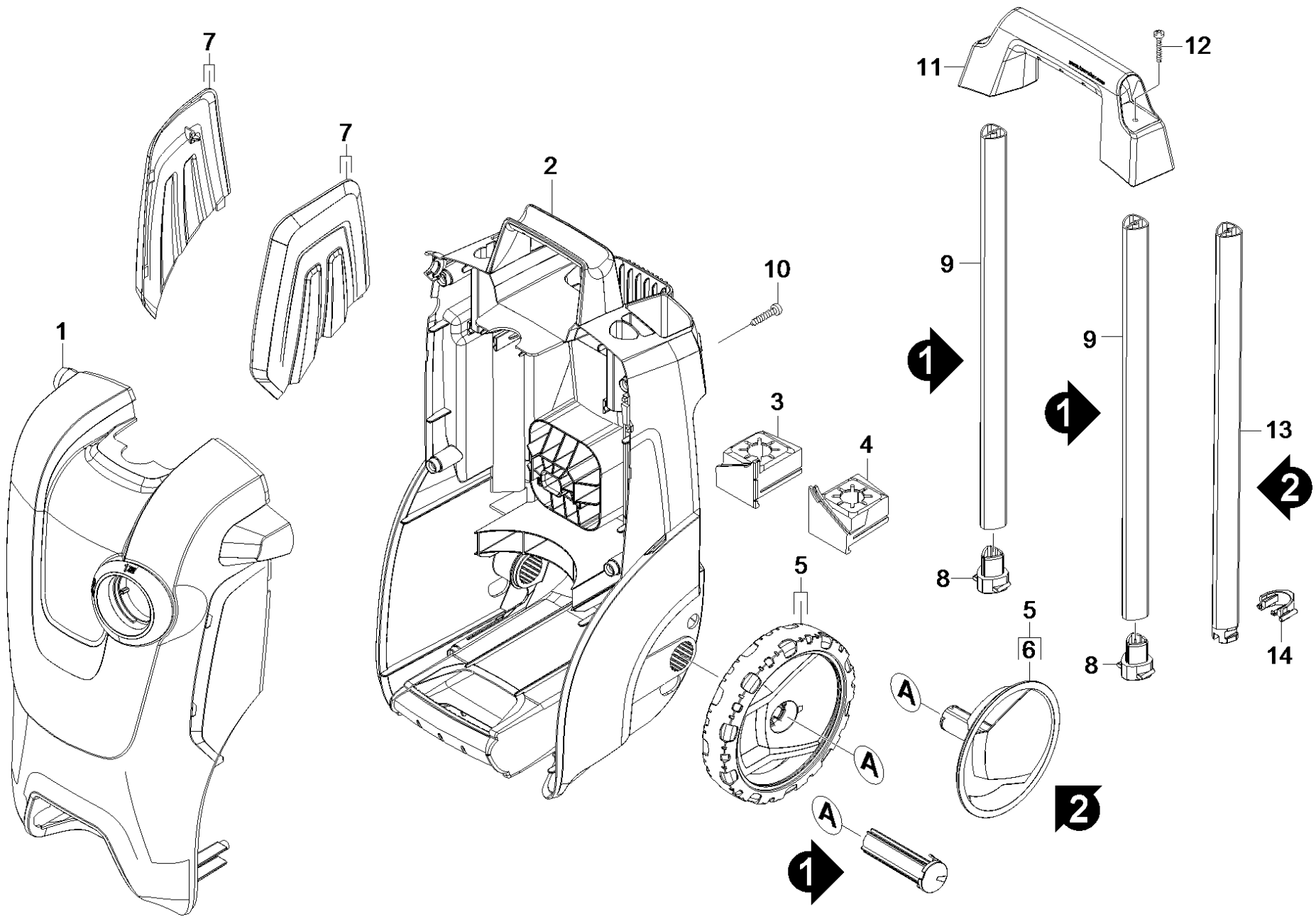


Short spare parts list

POS	Article no.	Description	Quantity	Unit
1	2.642-889.0	G 180 Q Trigger gun Quick Connect	1.000	ST
2	5.332-464.0	Pressure spring	1.000	ST
3	2.641-721.0	H 9 Q high pressure hose Quick Connect	1.000	ST
4	6.363-410.0	O-Ring seal 5,7x1,78 NBR 90Shore	2.000	ST
5	2.640-729.0	O-Ring seal set	2.000	ST
6	9.012-483.0	Dirt blaster 033 CEM max.14MPa	1.000	ST
7	6.389-870.0	Connection 3/4"	1.000	ST
8	6.388-216.0	Hose DN 5	1.000	M
9	5.731-652.0	Filter with weight	1.000	ST
10	4.760-534.0	VPS K3 0287 K	1.000	ST

201 Spare parts list K5.200 Compact (5.971-490.0)

POS	Description	Quantity	Unit
10	Housing	1.000	ST
20	Pump set	1.000	ST
30	Motor	1.000	ST
40	Accessories	1.000	ST
50	Electric box	1.000	ST

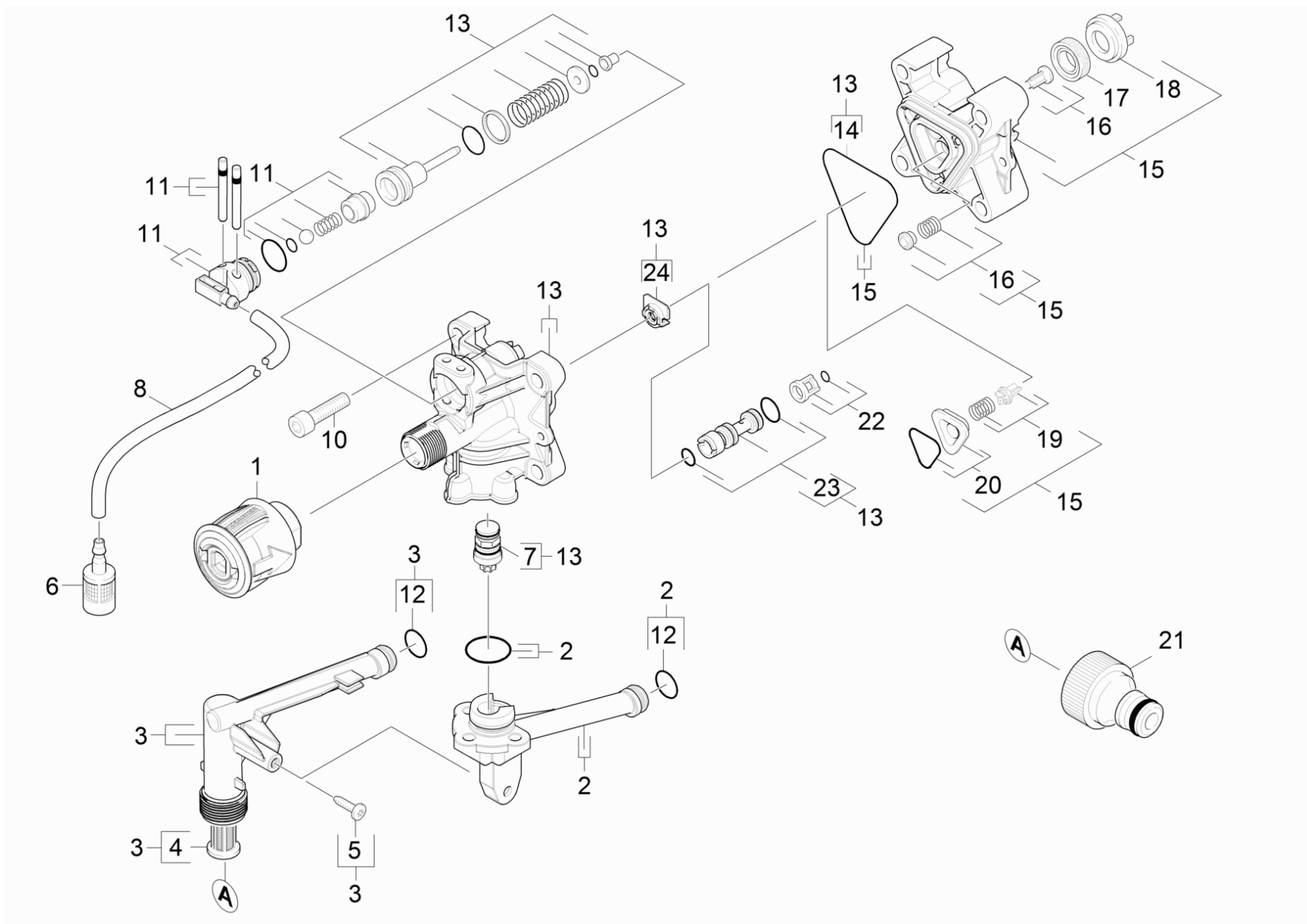


10 Housing

POS	Article no.	Description	Quantity	Unit	Foot note text
1	9.001-902.0	Housing	1.000	ST	
2	9.038-051.0	Back housing Compact	1.000	ST	
3	9.038-149.0	Gummy starlock Right Compact	1.000	ST	
4	9.038-148.0	Gummy starlock left Compact	1.000	ST	
5	5.515-397.3	Wheel only for replacement	2.000	ST	
6	7.777-999.0	Stockpiling discontinued	1.000	ST	SET OF 2 PIECES
7	9.001-901.0	Set covers complete	1.000	ST	
8	9.038-104.0	Cap for handhold	2.000	ST	
9	7.777-999.0	Stockpiling discontinued	2.000	ST	ORDERING ACCORDING TO CONSUMTION VERSION2
10	9.086-221.0	Screw ATF 4.1x22	6.000	ST	
	Item text1: 1.630-700.0				
10	9.086-173.0	Screw Hi-Lo d.4x22 Torx-d.7,5	6.000	ST	
	Item text1: 1.630-701.0/-702.0/-703.0/-704.0/-705.0/ Item text2: -706.0				
11	9.038-067.0	Compact plastic handle	1.000	ST	
12	9.086-203.0	Screw 4x22	2.000	ST	
13	9.013-176.0	Rod hand grip complete	2.000	ST	
14	9.038-300.0	New handle fixation Compact	2.000	ST	

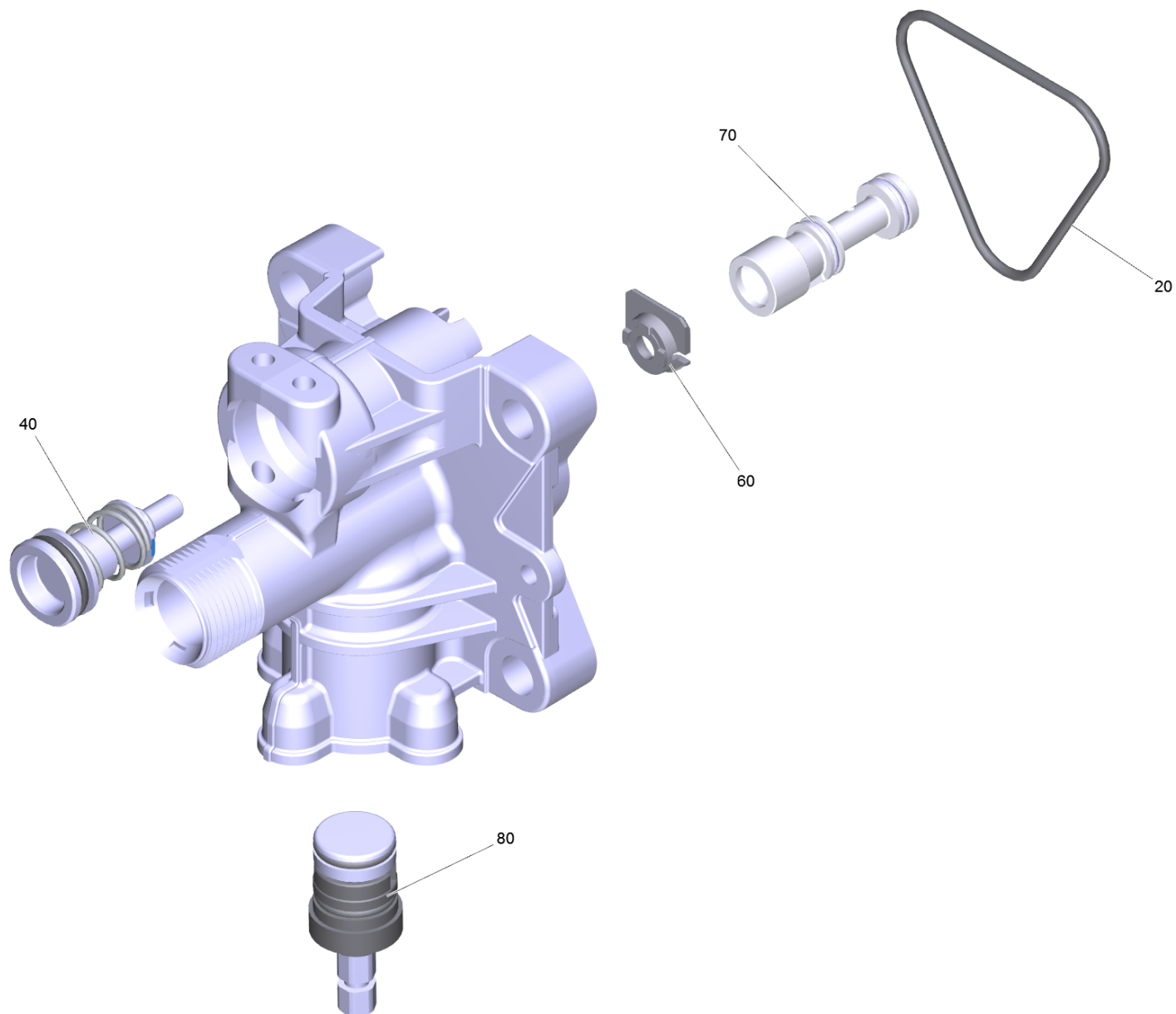
20 Pump set

POS	Description	Quantity	Unit
21	Housing	1.000	ST
22	Thrust guidance	1.000	ST



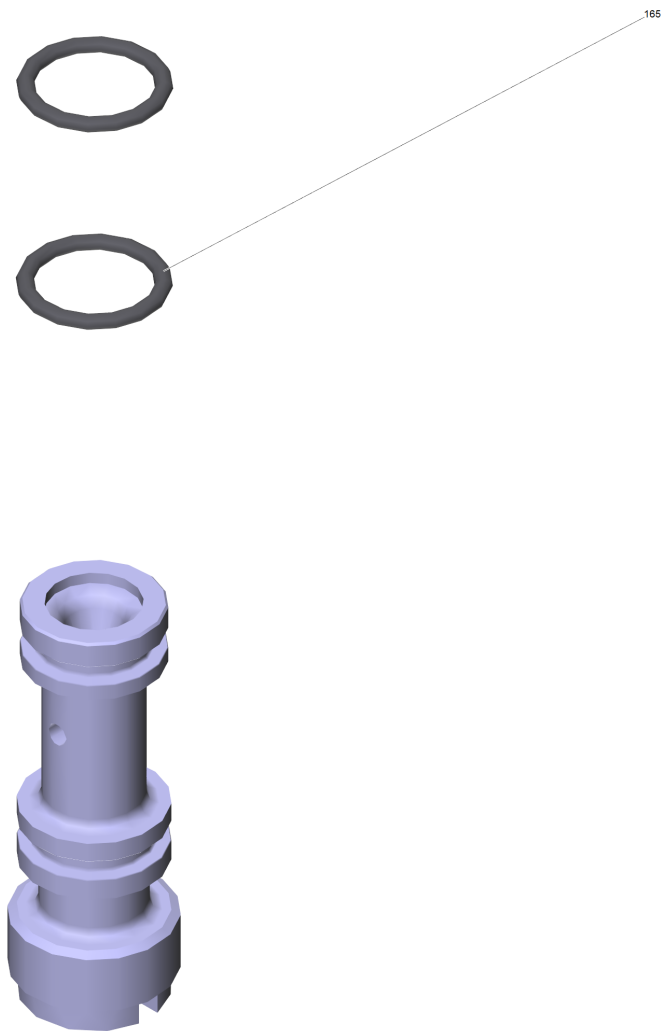
21 Housing

POS	Article no.	Description	Quantity	Unit	Foot note text
1	4.470-041.0	High pressure quick-fitting pipe union A	1.000	ST	
2	9.001-887.0	Connection K5	1.000	ST	
3	9.002-145.0	Inlet fitting K5 Comp B (spare)	1.000	ST	
4	5.731-598.0	Fine filter long	1.000	ST	
5	9.086-173.0	Screw Hi-Lo d.4x22 Torx-d.7,5	1.000	ST	
6	5.731-652.0	Filter with weight	1.000	ST	
7	9.002-164.0	plastic by pass (spare)	1.000	ST	
8	6.388-216.0	Hose DN 5	1.000	M	TO ORDER AS CUT GOODS
10	7.306-151.0	Cylinder head screw M8x65 -8.8-A2E ISO4	4.000	ST	
11	9.001-277.0	Spare parts set chemistry	1.000	ST	
12	9.080-455.0	Seal 10x2,8	2.000	ST	
13	9.001-800.0	Spare part set control head	1.000	ST	
14	9.081-424.0	Form seal	1.000	ST	
15	9.002-456.0	Pump head Alu FC ric	1.000	ST	
16	9.001-110.0	Moulded part complete	1.000	ST	
17	6.362-875.0	Grooved ring	3.000	ST	
18	9.038-428.0	Supportring 6,7 mm	3.000	ST	
19	9.001-275.0	Valve set	1.000	ST	
20	9.001-276.0	Joining piece	1.000	ST	
21	6.465-031.0	Connection 3/4	1.000	ST	
22	9.001-819.0	Cage complete	1.000	ST	
23	4.769-035.0	Nozzle insert	1.000	ST	
24	9.037-142.0	Distance holder	1.000	ST	



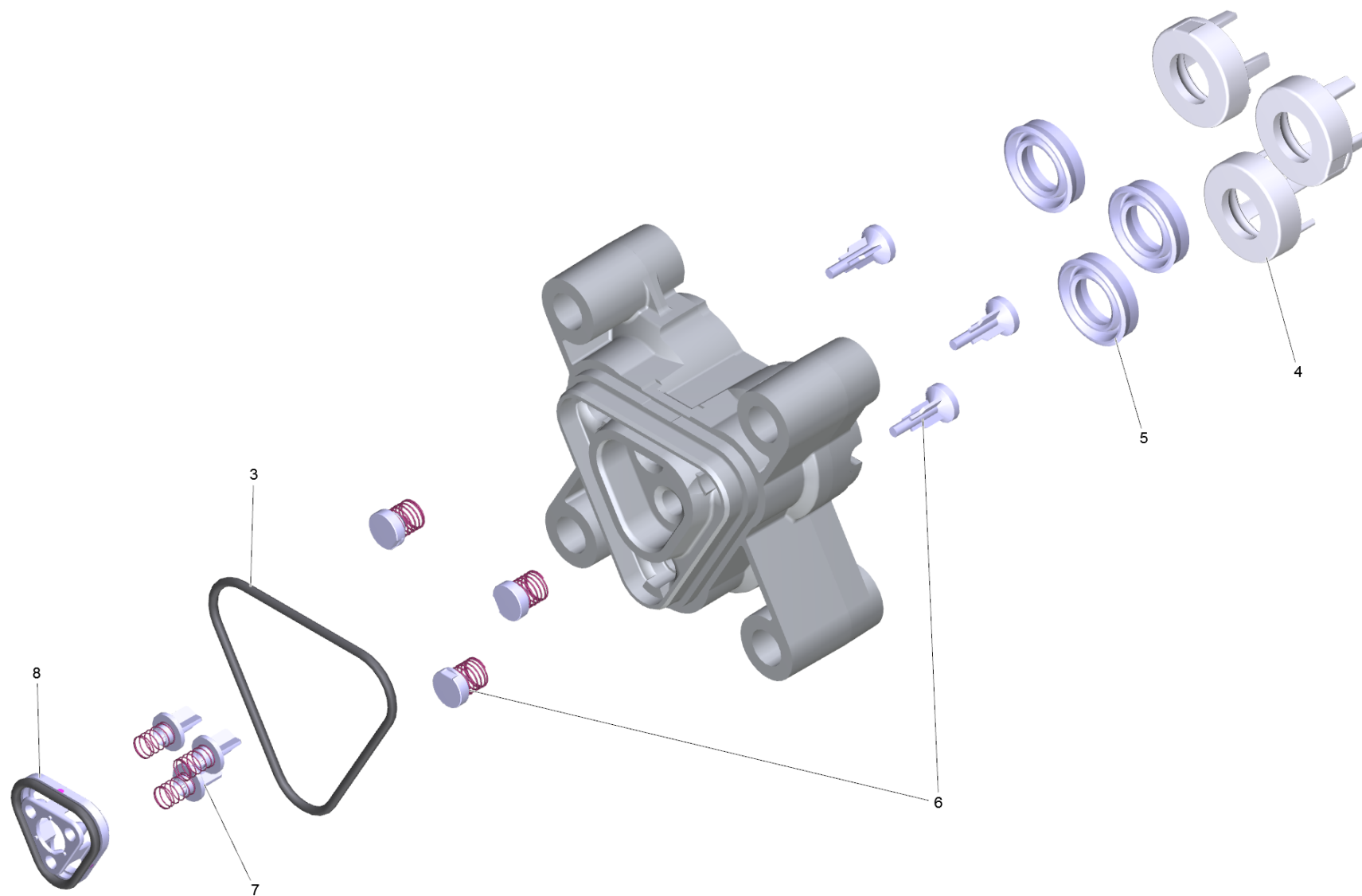
13 Spare part set control head (9.001-800.0)

POS	Article no.	Description	Quantity	Unit
20	9.081-424.0	Form seal	1.000	ST
40	9.001-291.0	Control piston set replacement	1.000	ST
60	9.037-142.0	Distance holder	1.000	ST
70	4.769-035.0	Nozzle insert	1.000	ST
80	9.002-164.0	plastic by pass (spare)	1.000	ST



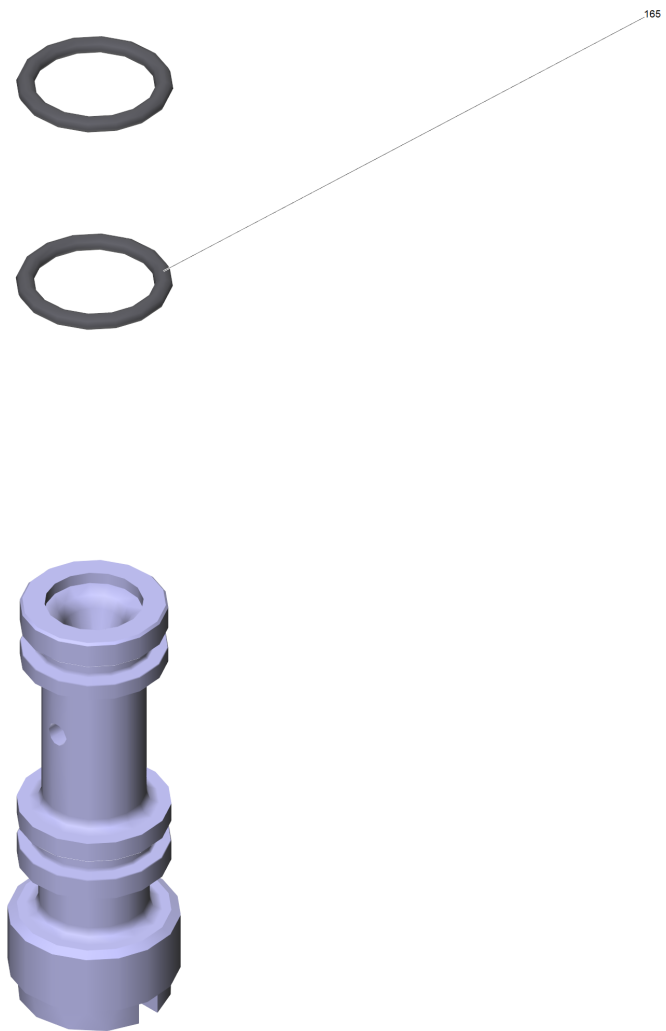
70 Nozzle insert (4.769-035.0)

POS	Article no.	Description	Quantity	Unit
165	6.362-384.0	O-Ring seal 9x1,5 - NBR 70	2.000	ST



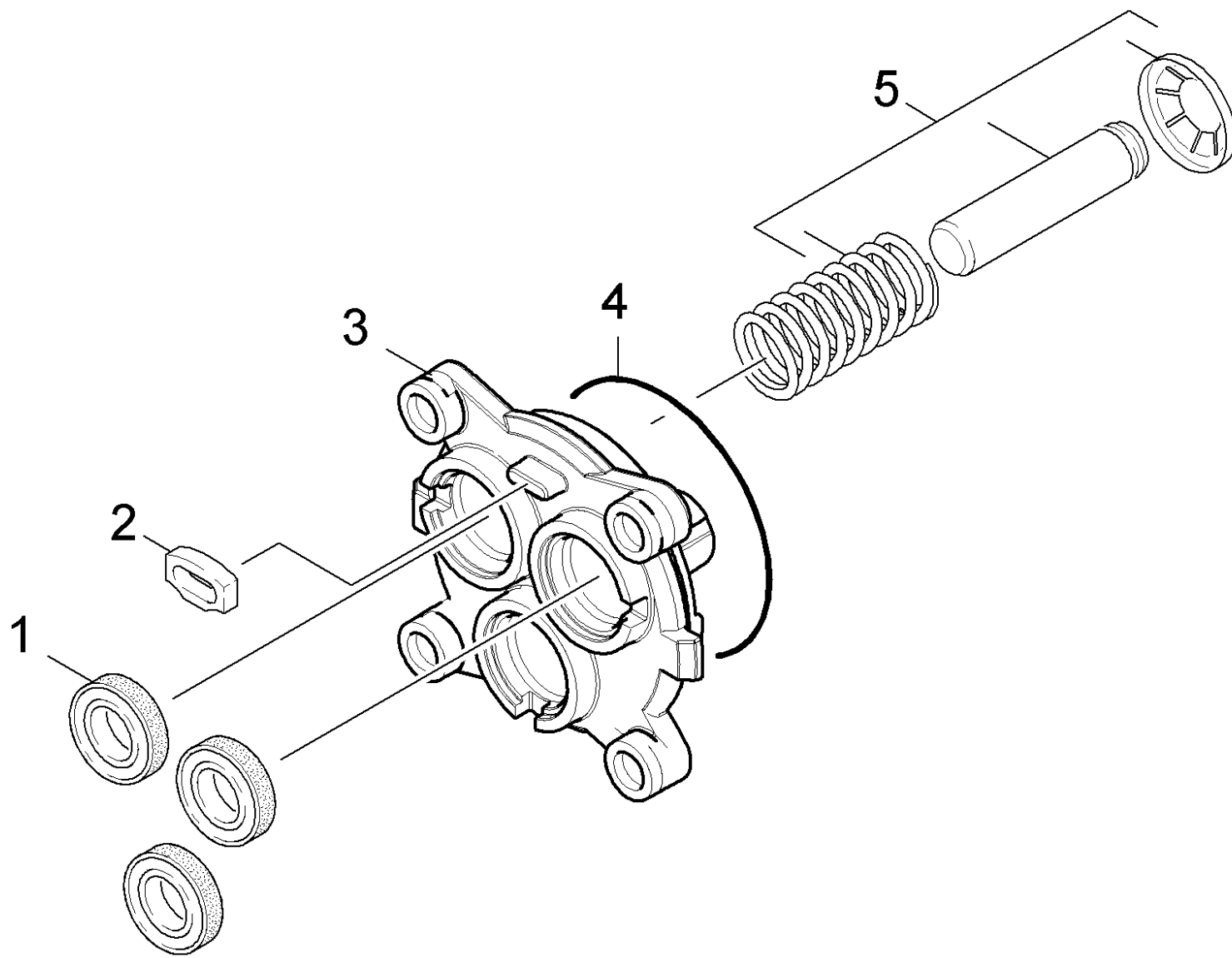
15 Pump head Alu FC ric (9.002-456.0)

POS	Article no.	Description	Quantity	Unit
3	9.081-424.0	Form seal	1.000	ST
4	9.038-428.0	Supportring 6,7 mm	3.000	ST
5	6.362-875.0	Grooved ring	3.000	ST
6	9.001-110.0	Moulded part complete	1.000	ST
7	9.001-275.0	Valve set	1.000	ST
8	9.001-276.0	Joining piece	1.000	ST



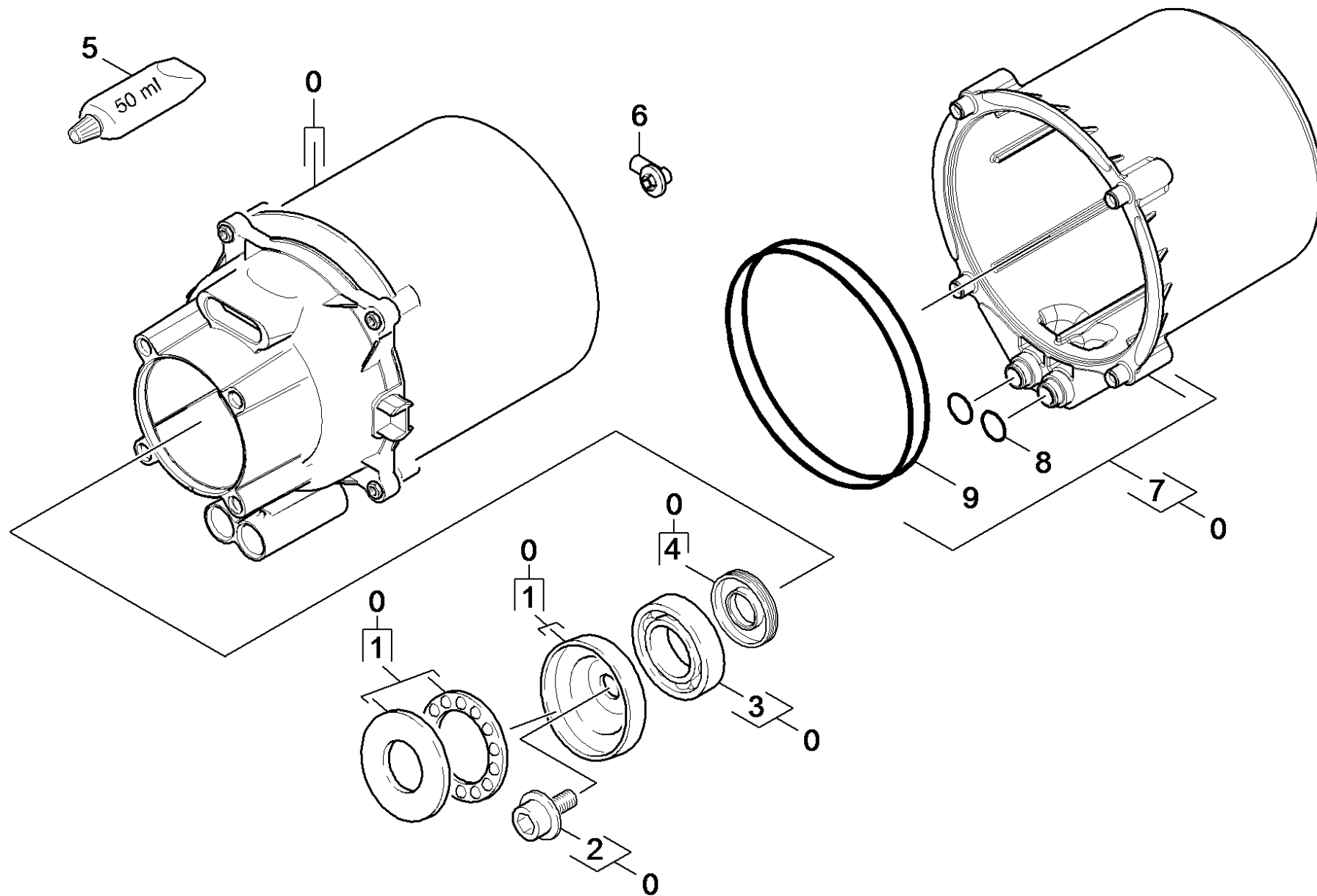
23 Nozzle insert (4.769-035.0)

POS	Article no.	Description	Quantity	Unit
165	6.362-384.0	O-Ring seal 9x1,5 - NBR 70	2.000	ST



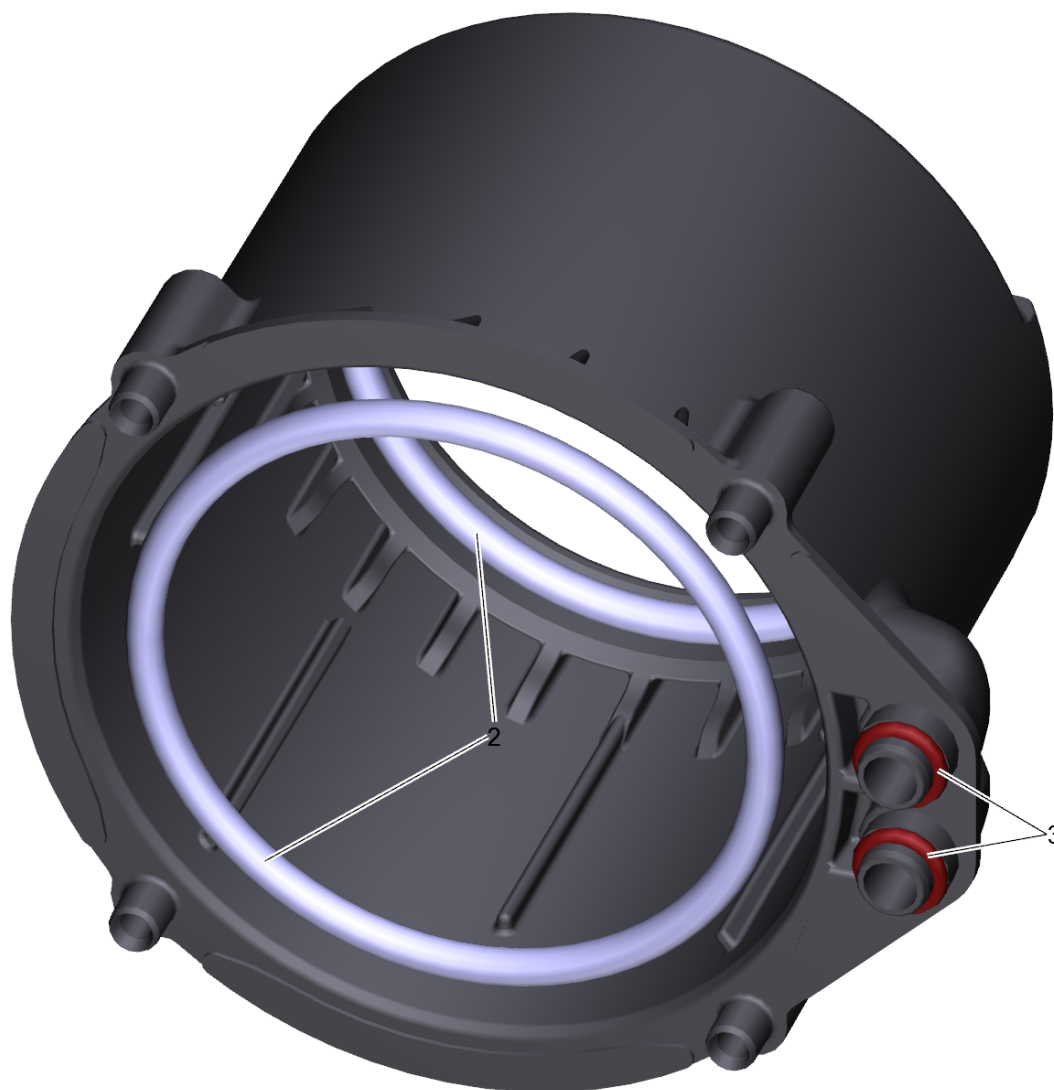
22 Thrust guidance

POS	Article no.	Description	Quantity	Unit
1	9.078-015.0	Grooved ring	3.000	ST
2	9.048-071.0	Spacer - Seal	1.000	ST
3	9.042-151.0	Pistons guide pump K5 FC machined	1.000	ST
4	9.080-425.0	O-Ring seal 60 x 2 NBR 70	1.000	ST
5	9.001-927.0	Piston complete	3.000	ST



30 Motor

POS	Article no.	Description	Quantity	Unit
0	9.001-909.0	Motor H75 GB compact	1.000	ST
	Item text1: 1.630-702.0			
0	9.001-878.0	Motor replacement K5 Compact	1.000	ST
	Item text1: 1.630-700.0 /-701.0 /-703.0 /-704.0			
	Item text2: /-705.0 /-706.0			
1	9.001-880.0	Wobble plate complete 11°45'	1.000	ST
2	9.086-205.0	Screw	1.000	ST
3	7.401-010.0	Ball bearing 6303 -St DIN 625	1.000	ST
4	7.367-002.0	Radial shaft seal ring A17x35x7-NBR DIN	1.000	ST
5	6.964-092.0	Viscous oil 50ml	1.000	ST
6	9.038-147.0	Draining hose compact	1.000	ST
7	9.001-918.0	Covering cap motor complete	1.000	ST
8	9.080-455.0	Seal 10x2,8	2.000	ST
9	9.080-453.0	O-Ring seal 95x6	2.000	ST

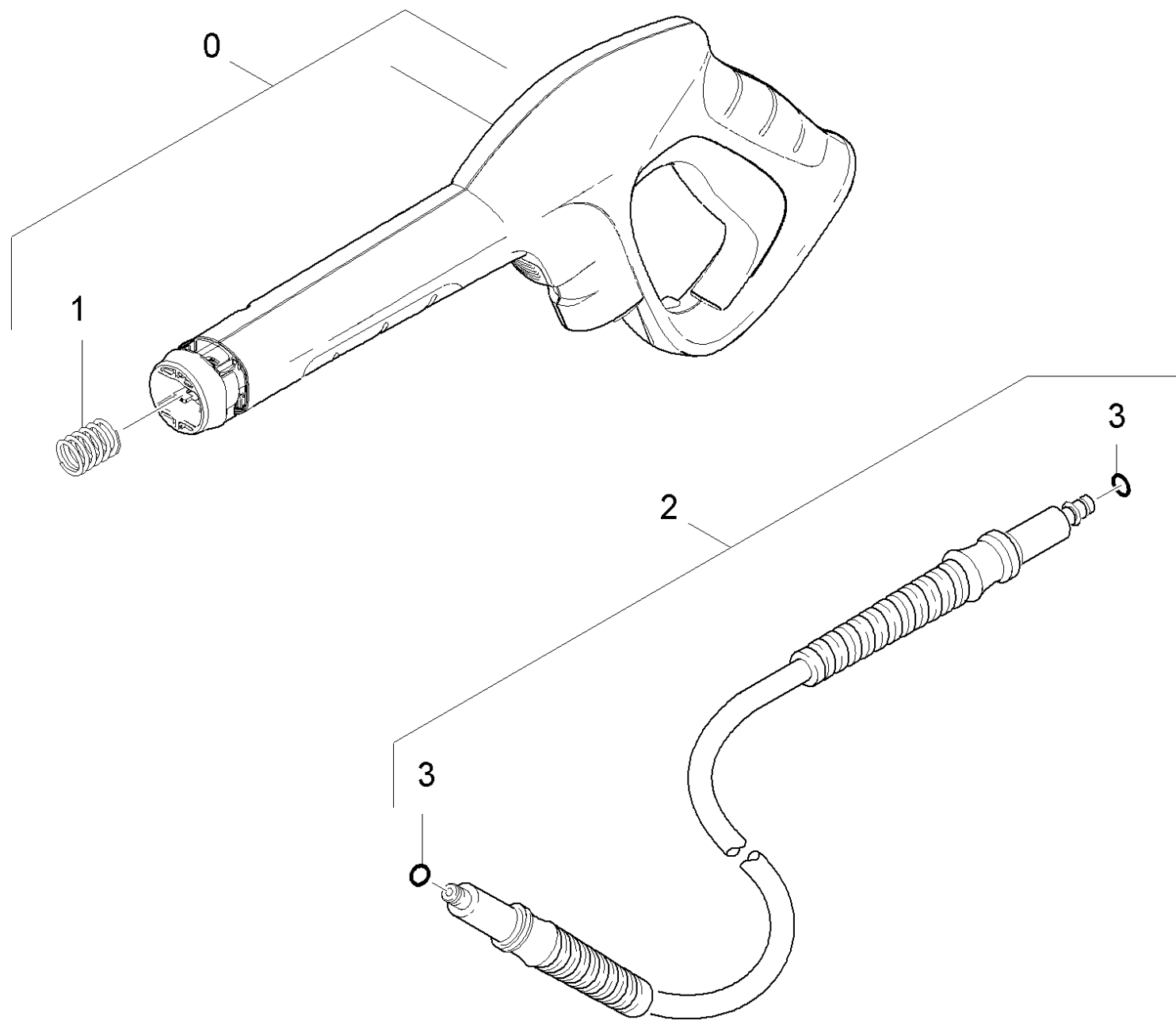


7 Covering cap motor complete (9.001-918.0)

POS	Article no.	Description	Quantity	Unit
2	9.080-453.0	O-Ring seal 95x6	2.000	ST
3	9.080-455.0	Seal 10x2,8	2.000	ST

40 Accessories

POS	Description	Quantity	Unit	Remark
41	Hand trigger gun	1.000	ST	
42	Jet pipe	1.000	ST	
43	Surface cleaner	1.000	ST	T 250
44	Surface cleaner T400 Plus	1.000	ST	
45	Foam nozzle	1.000	ST	



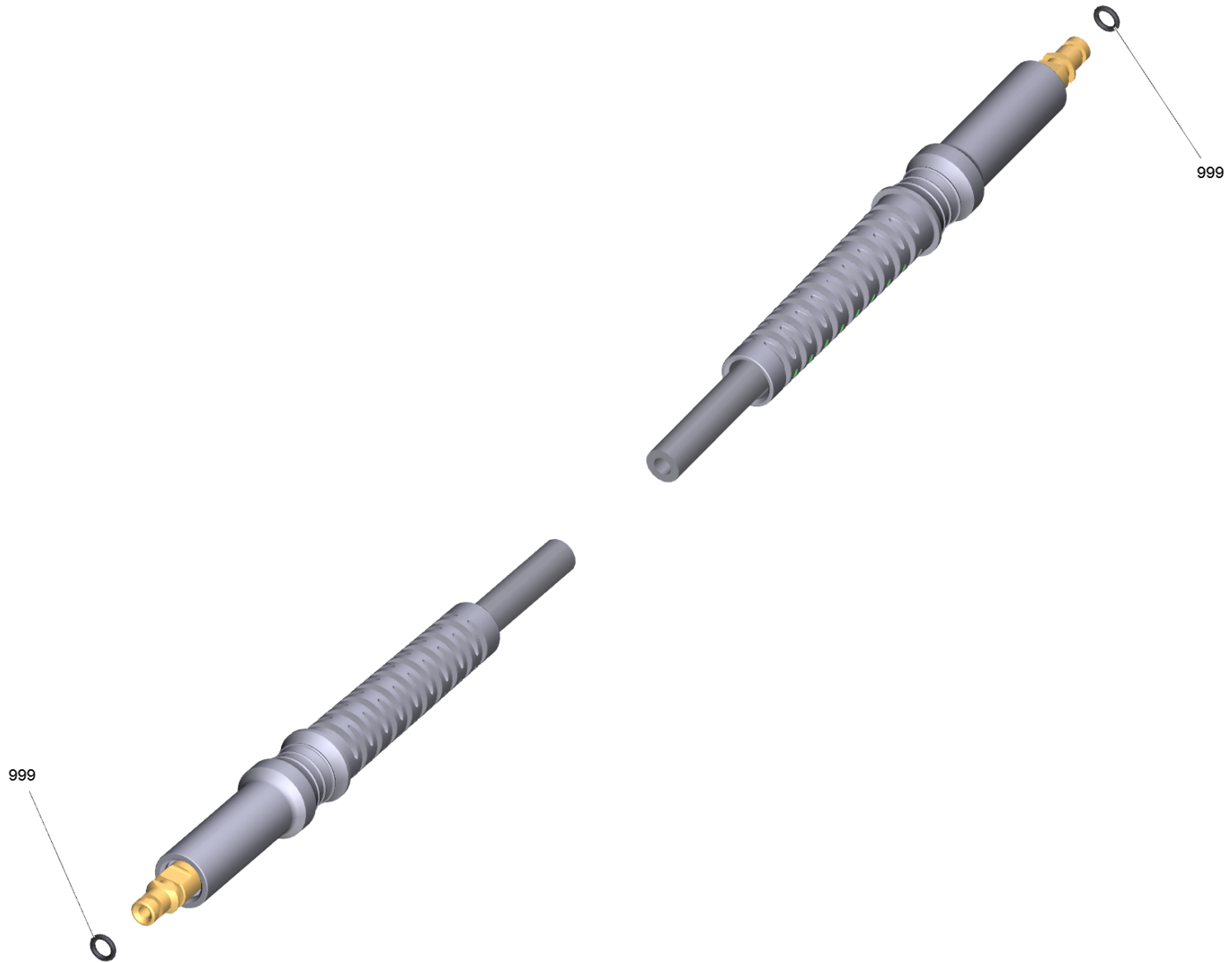
41 Hand trigger gun

POS	Article no.	Description	Quantity	Unit
0	2.642-889.0	G 180 Q Trigger gun Quick Connect	1.000	ST
1	5.332-464.0	Pressure spring	1.000	ST
2	2.641-721.0	H 9 Q high pressure hose Quick Connect	1.000	ST
3	6.363-410.0	O-Ring seal 5,7x1,78 NBR 90Shore	2.000	ST



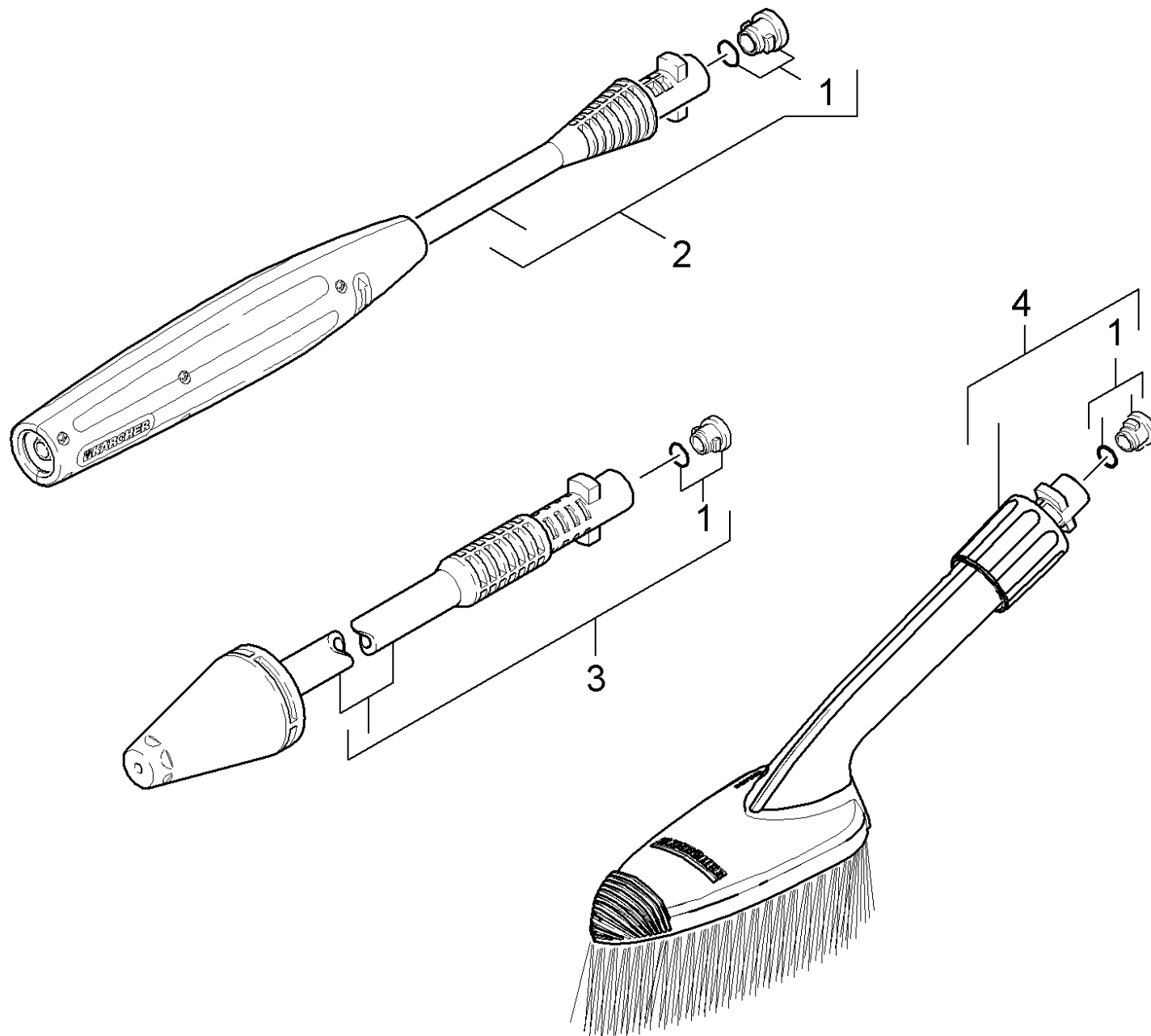
G 180 Q Trigger gun Quick Connect (2.642-889.0)

POS	Article no.	Description	Quantity	Unit
1	5.332-464.0	Pressure spring	1.000	ST



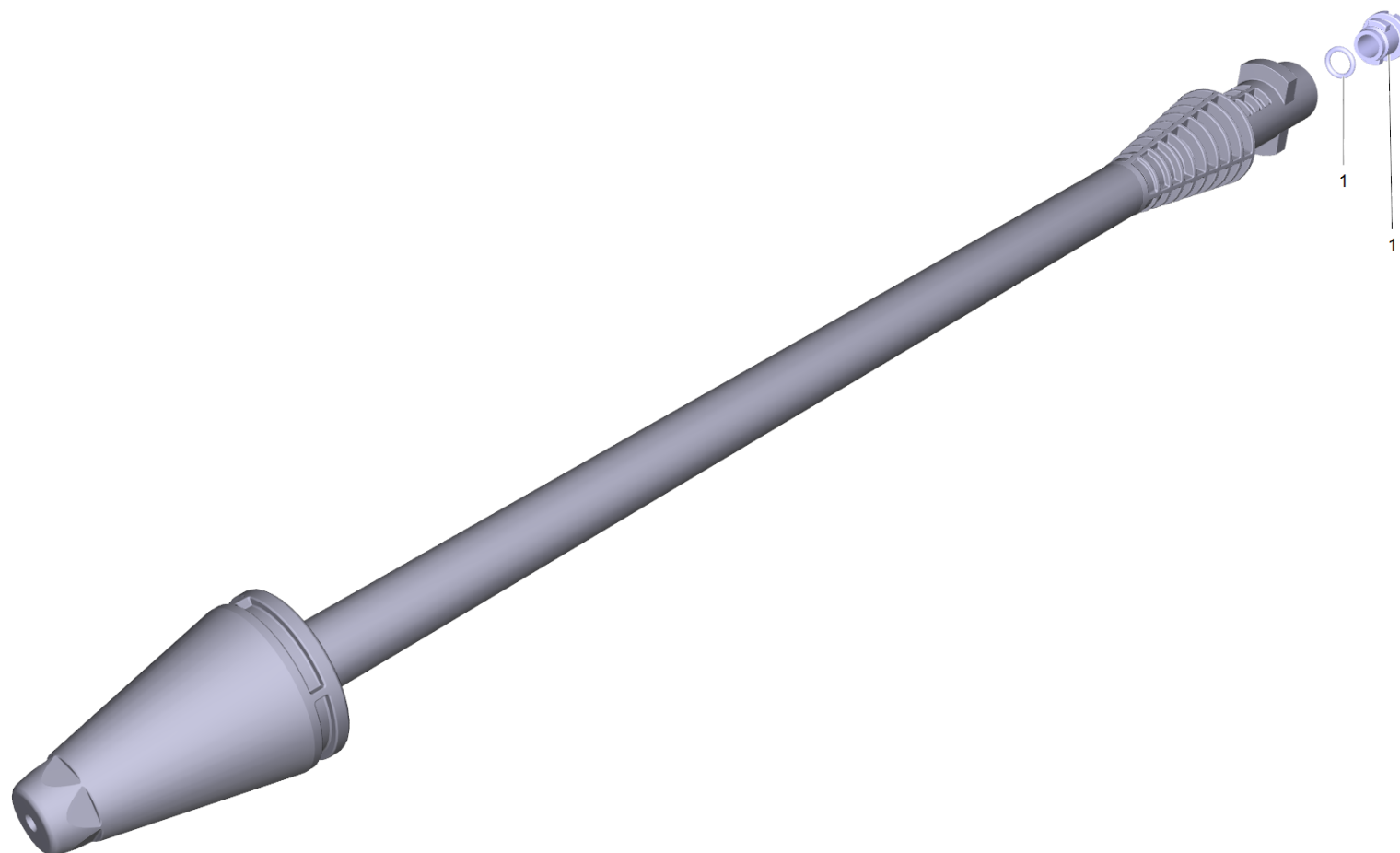
2 H 9 Q high pressure hose Quick Connect (2.641-721.0)

POS	Article no.	Description	Quantity	Unit
999	2.640-729.0	O-Ring seal set	1.000	ST



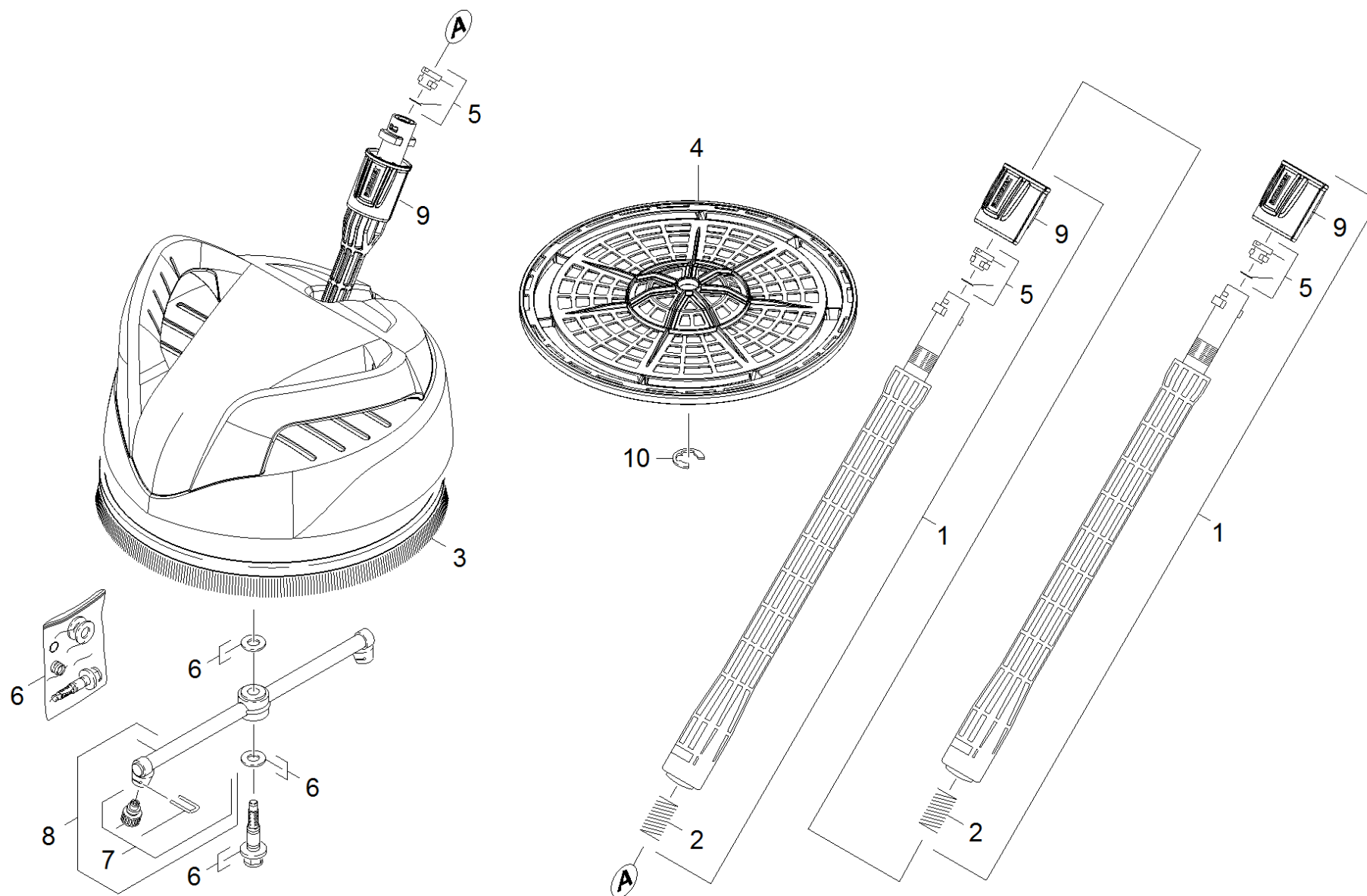
42 Jet pipe

POS	Article no.	Description	Quantity	Unit
1	2.640-729.0	O-Ring seal set	1.000	ST
2	4.760-534.0	VPS K3 0287 K	1.000	ST
3	4.764-281.0	Dirt blaster 031 St - CEM 14,5MPa	1.000	ST
4	2.640-589.0	Brush lengthwise	1.000	ST



3 Dirt blaster 031 St - CEM 14,5MPa (4.764-281.0)

POS	Article no.	Description	Quantity	Unit
1	2.640-729.0	O-Ring seal set	1.000	ST



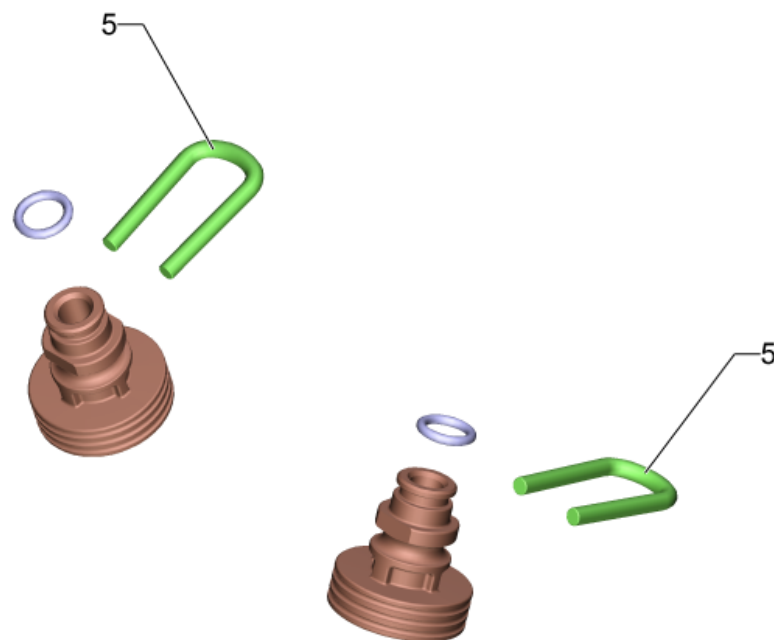
43 Surface cleaner




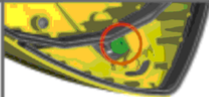




POS	Article no.	Description	Quantity	Unit
1	2.643-240.0	Single-step jet pipe extension	2.000	ST
2	5.332-464.0	Pressure spring	2.000	ST
3	6.371-086.0	Strip brush	1.000	ST
4	5.394-865.0	Grate T 250 Plus	1.000	ST
5	2.640-729.0	O-Ring seal set	3.000	ST
6	2.883-963.0	Bearing neck complete	1.000	ST
7	2.643-338.0	Spare parts nozzles T-Racer	1.000	ST
8	2.885-182.0	Spare part set rotor T 250 plus	1.000	ST
9	5.310-160.0	Nut Kaercher	3.000	ST
10	7.343-206.0	Lock washer 12-2.1030 DIN 6799	1.000	ST









1 Single-step jet pipe extension (2.643-240.0)

POS	Article no.	Description	Quantity	Unit
3	2.640-729.0	O-Ring seal set	1.000	ST
8	5.332-464.0	Pressure spring	1.000	ST
10	5.310-160.0	Nut Kaercher	1.000	ST



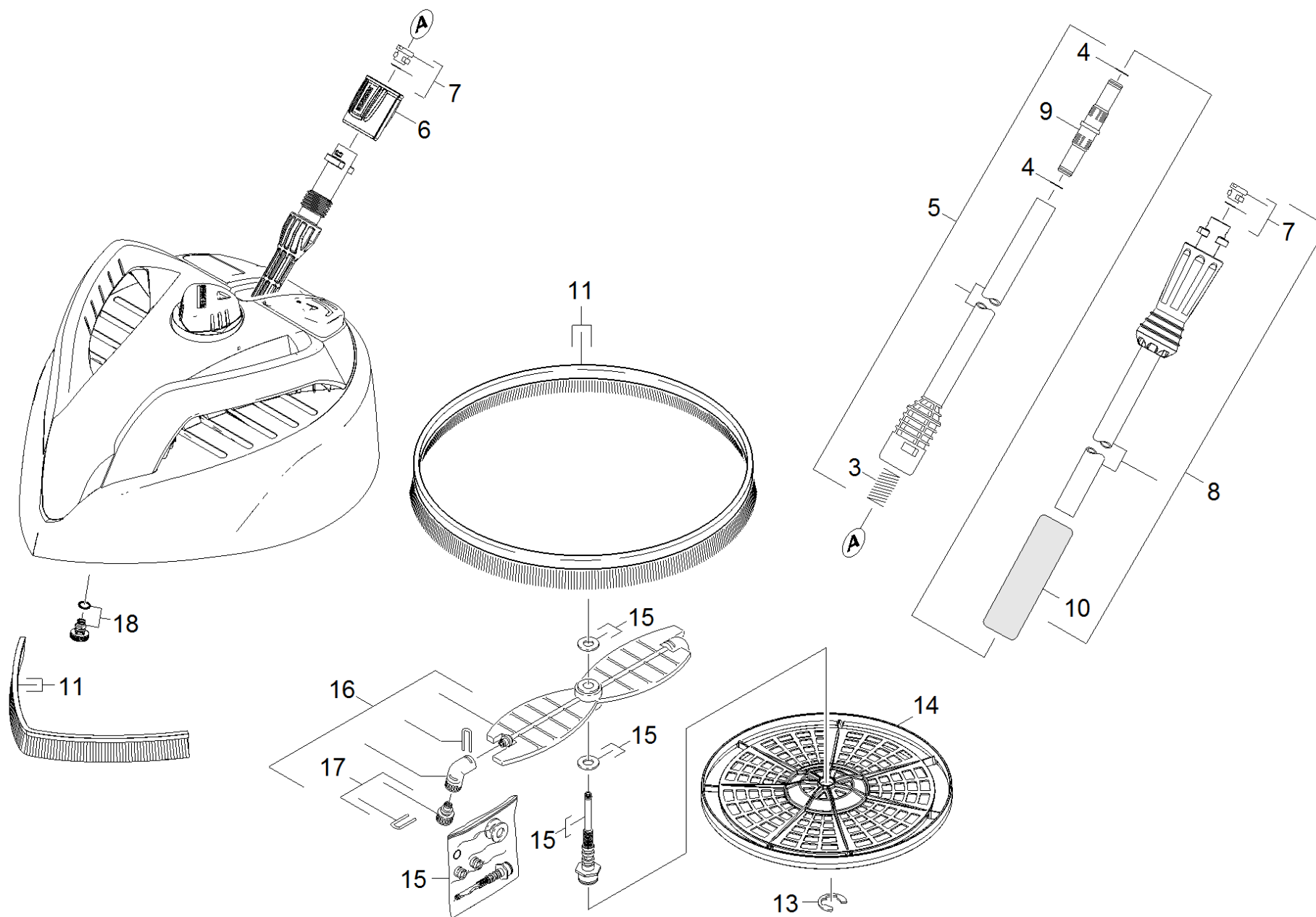
T 50, T 70, T 80, T 100 T 150, T 200, T 250, T 300, T 400, T 450, T 550	K 2 - K 5		
	K 6 - K 7		
T 400, T 450 T 550			
T 200, T 250	K 6 - K 7		
T 350 Gas			

	K 3 - K 5	
	K 6 - K 7	

	K 2	
	K 3 - K 5	

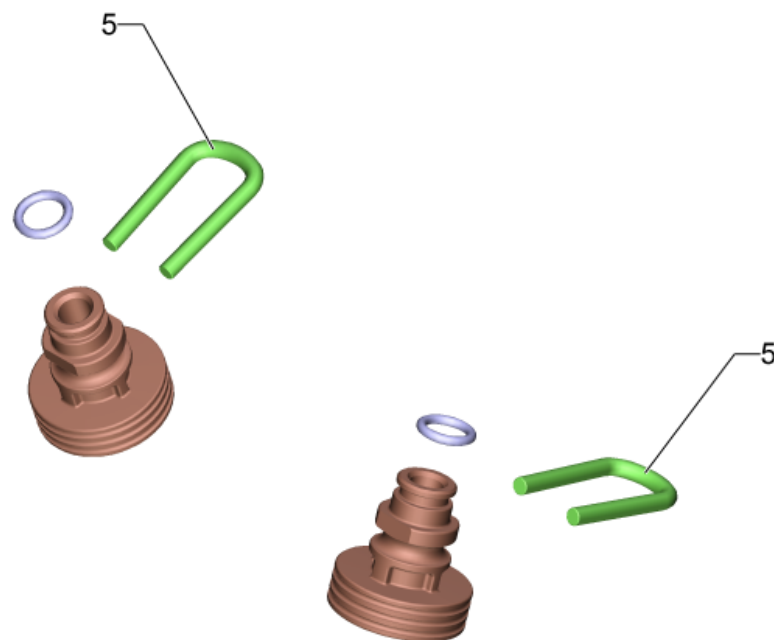
7 Spare parts nozzles T-Racer (2.643-338.0)




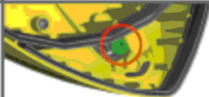




POS	Article no.	Description	Quantity	Unit	Remark	Foot note text
1	4.764-155.0	Nozzle complete 15015	1.000	ST	<13 MPa (<130 bar)	GREY
		Item text1: 015				
2	4.764-156.0	Nozzle complete 15020	1.000	ST	13 MPa (130 bar) - 16 MPa (160 bar)	YELLOW
		Item text1: 020				
3		Nozzle complete 15027	1.000	ST		BLACK
		Item text1: 027				
4	4.764-190.0	Nozzle kpl. 75047	1.000	ST		GREEN
		Item text1: 047				
5	5.037-151.0	Clamp	2.000	ST		









44 Surface cleaner T400 Plus

POS	Article no.	Description	Quantity	Unit	Foot note text
3	5.332-464.0	Pressure spring	1.000	ST	
4	6.363-615.0	O-Ring seal 11 x 1,5 -NBR70	1.000	ST	
5	4.760-495.0	Jet pipe	1.000	ST	
6	5.310-160.0	Nut Kaercher	1.000	ST	
7	2.640-729.0	O-Ring seal set	2.000	ST	
8	4.760-688.0	Jet pipe PS	1.000	ST	
9	5.471-105.0	Coupling element jet pipe extension	1.000	ST	
10	6.321-160.0	Handhold foamed material	1.000	ST	
11	2.885-097.0	Spare part set Bürsten T 400	1.000	ST	
12	5.394-661.0	Protection part	1.000	ST	
13	7.343-206.0	Lock washer 12-2.1030 DIN 6799	1.000	ST	
14	5.394-873.0	Grate T 400 Plus	1.000	ST	
15	2.885-047.0	Set of gaskets T 400	1.000	ST	
16	2.885-048.0	Spare part set Rotor T 400	1.000	ST	
17	2.643-338.0	Spare parts nozzles T-Racer	1.000	ST	GREY
18	4.764-190.0	Nozzle kpl. 75047	1.000	ST	



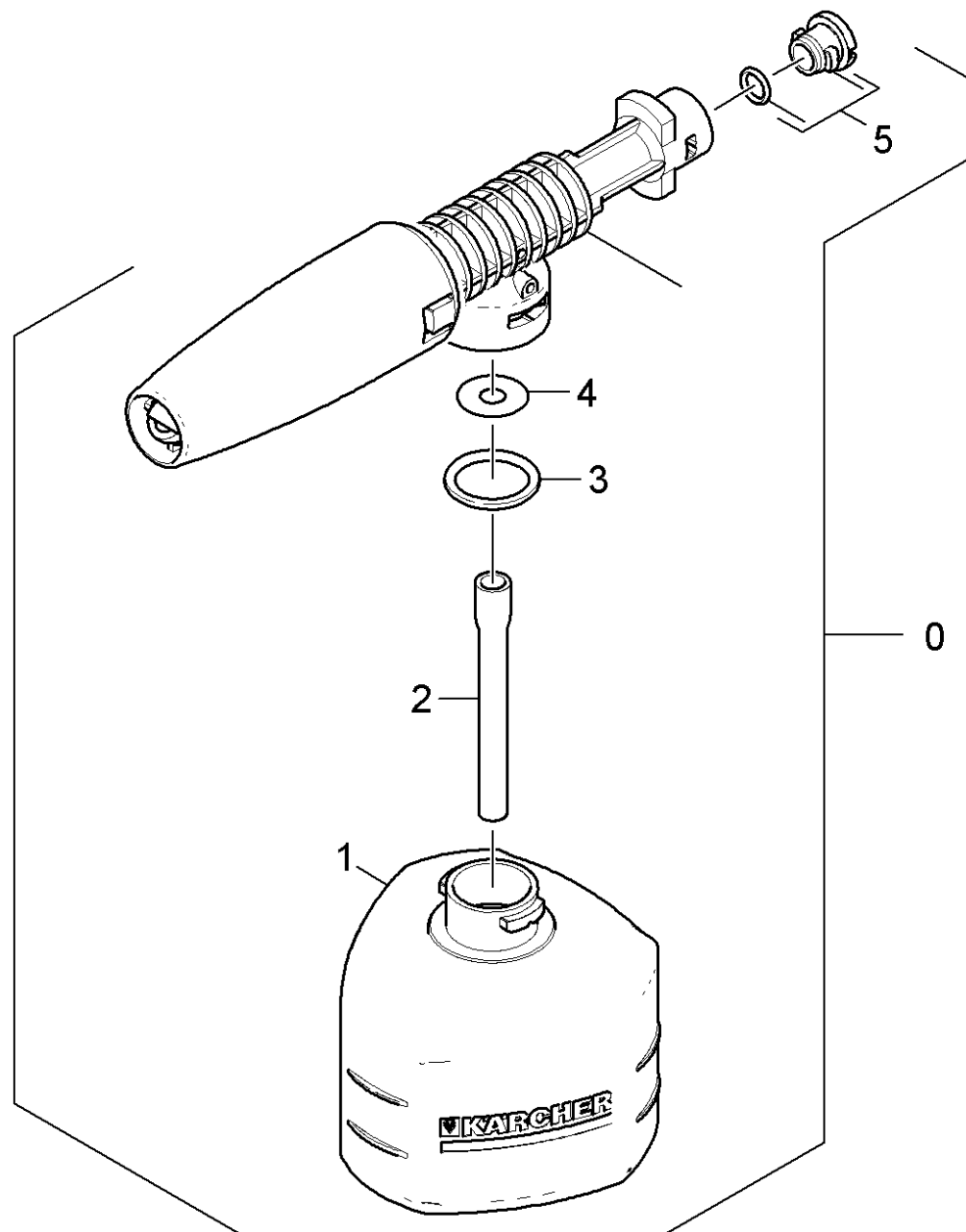
T 50, T 70, T 80, T 100 T 150, T 200, T 250, T 300, T 400, T 450, T 550	K 2 - K 5		
	K 6 - K 7		
T 400, T 450 T 550			
T 200, T 250	K 6 - K 7		
T 350 Gas			

	K 3 - K 5	
	K 6 - K 7	

	K 2	
	K 3 - K 5	

17 Spare parts nozzles T-Racer (2.643-338.0)

POS	Article no.	Description	Quantity	Unit	Remark	Foot note text
1	4.764-155.0	Nozzle complete 15015	1.000	ST	<13 MPa (<130 bar)	GREY
	Item text1: 015					
2	4.764-156.0	Nozzle complete 15020	1.000	ST	13 MPa (130 bar) - 16 MPa (160 bar)	YELLOW
	Item text1: 020					
3		Nozzle complete 15027	1.000	ST		BLACK
	Item text1: 027					
4	4.764-190.0	Nozzle kpl. 75047	1.000	ST		GREEN
	Item text1: 047					
5	5.037-151.0	Clamp	2.000	ST		



45 Foam nozzle

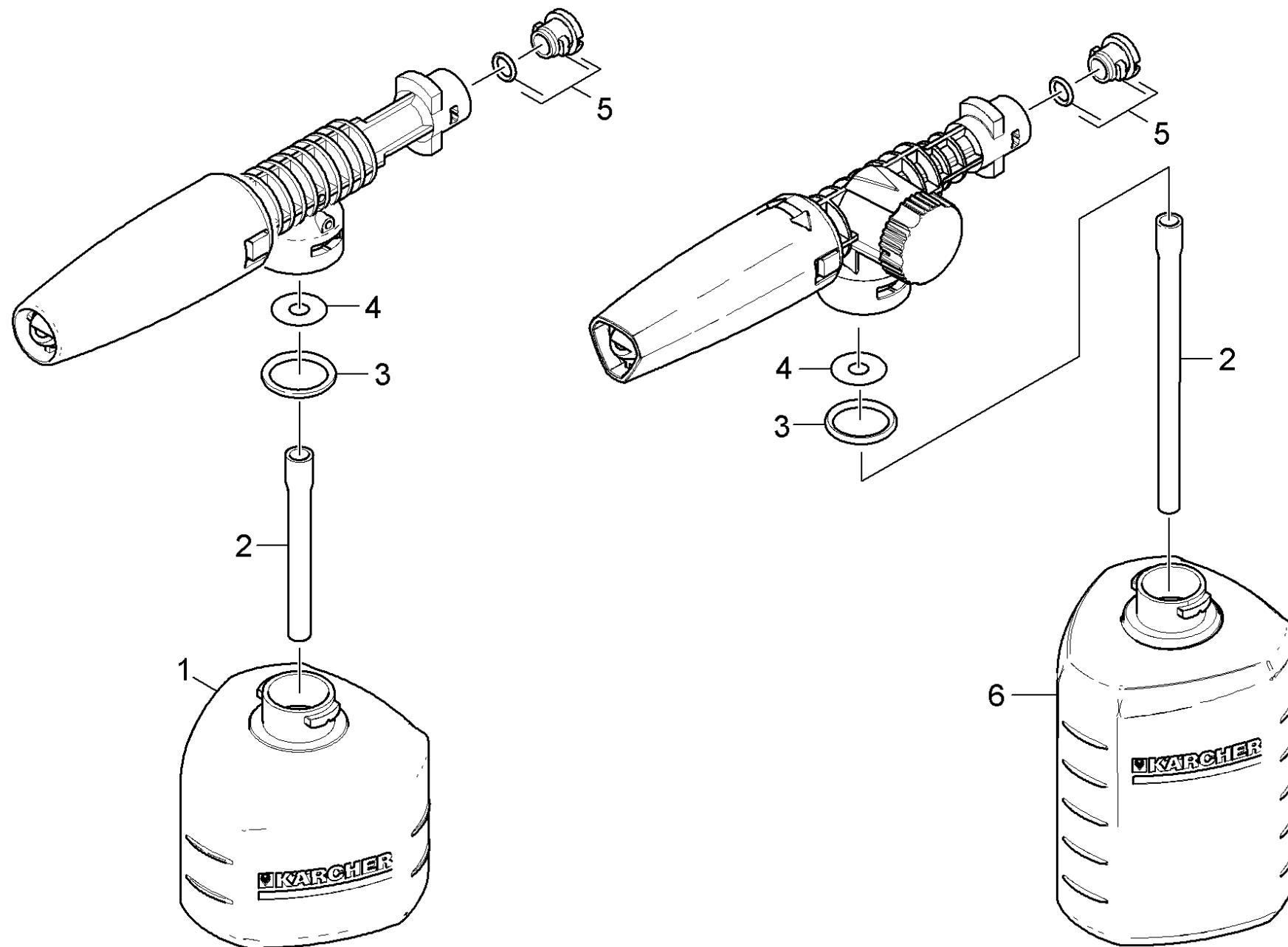
POS	Article no.	Description	Quantity	Unit	Foot note text
0	2.641-848.0	Foam nozzle packaged 0,3 l	1.000	ST	
1	5.071-203.0	Tank cleaning agents 0,3 l	1.000	ST	
2	6.388-216.0	Hose DN 5	1.000	M	TO ORDER AS CUT GOODS
3	6.362-874.0	O-Ring seal 21x3 - NBR 70	2.000	ST	
4	5.367-026.0	Diaphragm	1.000	ST	
5	2.640-729.0	O-Ring seal set	2.000	ST	

Foam nozzle packaged 0,3 l (2.641-848.0)

POS	Article no.	Description	Quantity	Unit
999	5.970-966.0	Spare parts list FJ 10	1.000	ST

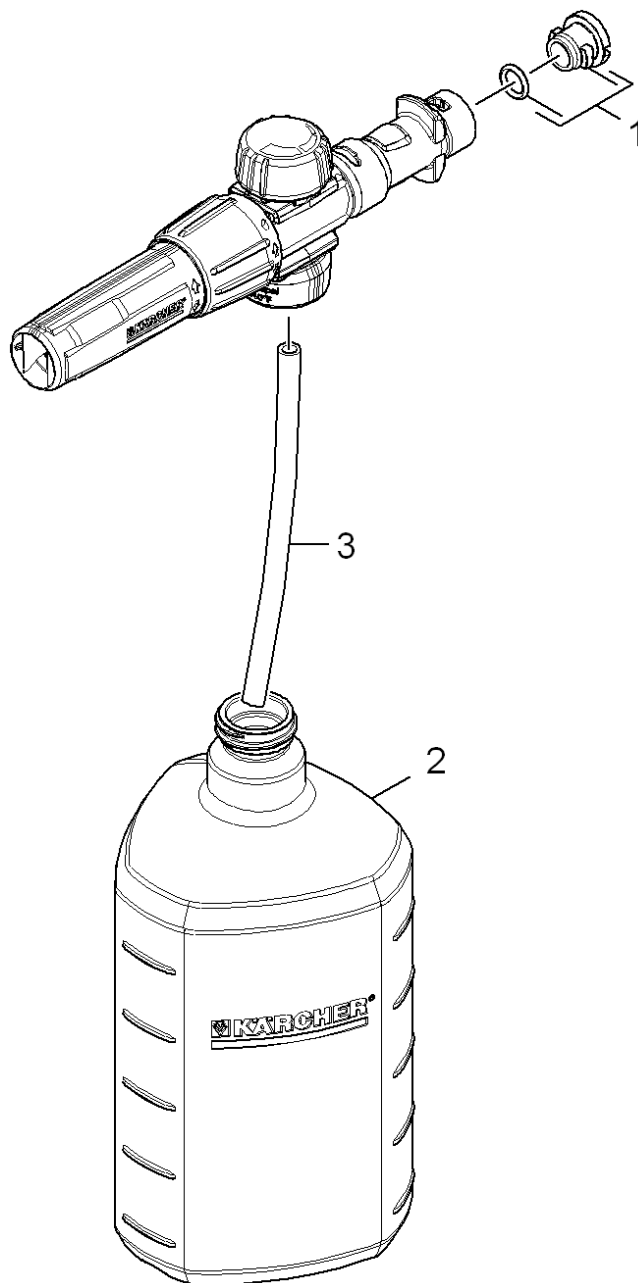
999 Spare parts list FJ 10 (5.970-966.0)

POS	Description	Quantity	Unit
10	Foam lance	1.000	ST
20	Foam nozzle	1.000	ST



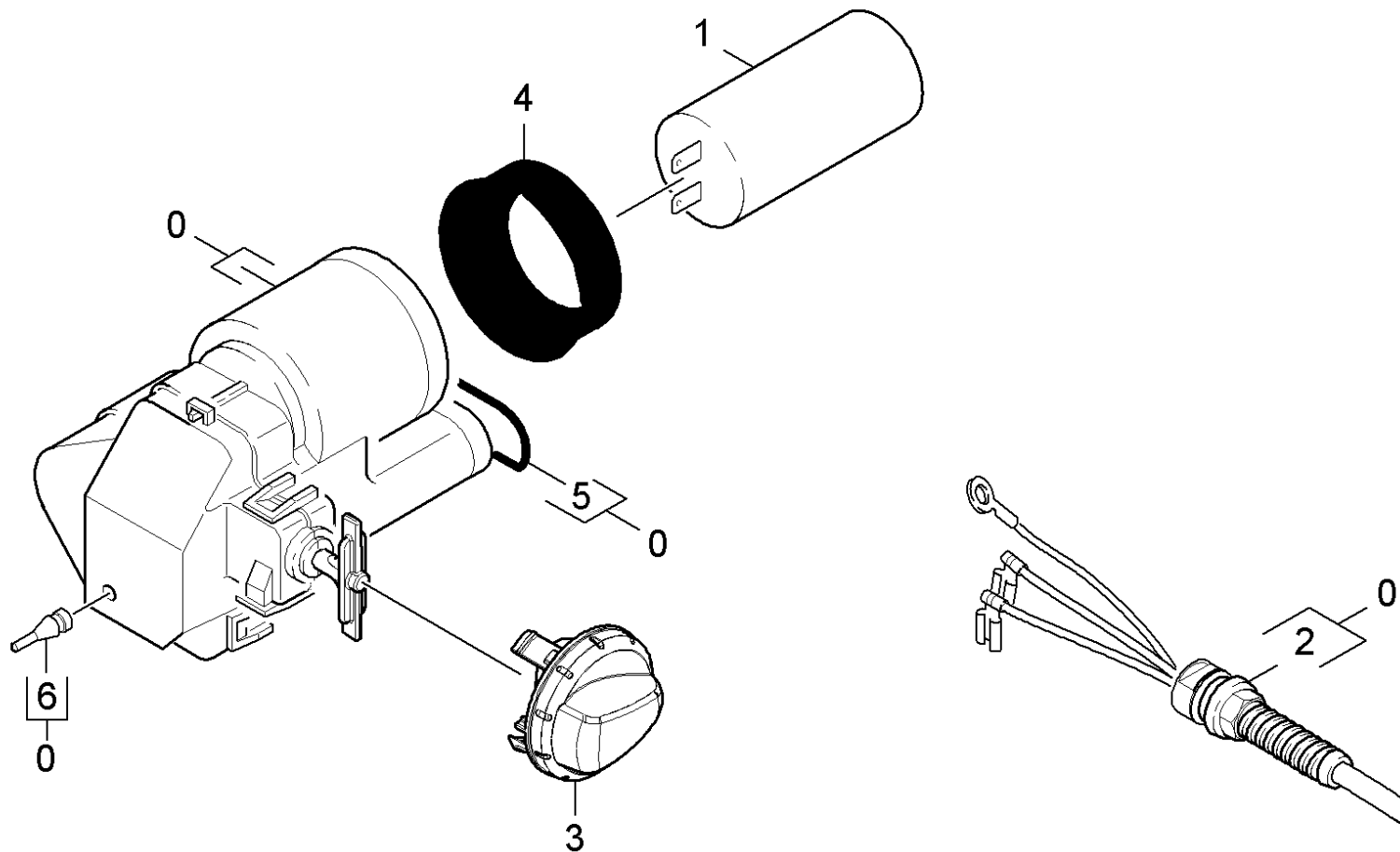
10 Foam lance

POS	Article no.	Description	Quantity	Unit	Foot note text
1	5.071-203.0	Tank cleaning agents 0,3 l	1.000	ST	
2	6.388-216.0	Hose DN 5	1.000	M	TO ORDER AS CUT GOODS
3	6.362-874.0	O-Ring seal 21x3 - NBR 70	2.000	ST	
4	5.367-026.0	Diaphragm	1.000	ST	
5	2.640-729.0	O-Ring seal set	2.000	ST	
6	5.071-202.0	Tank cleaning agents 0,6 l	1.000	ST	



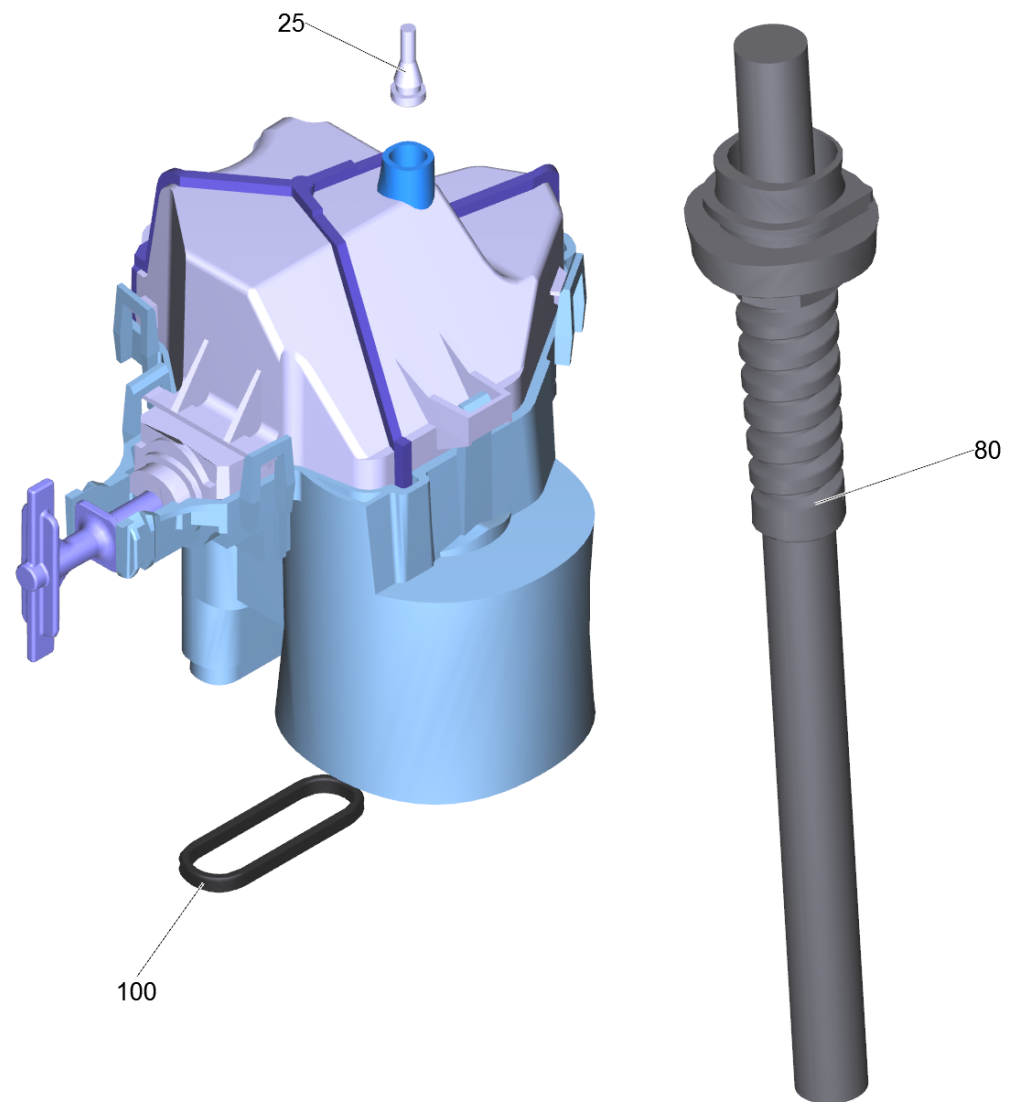
20 Foam nozzle

POS	Article no.	Description	Quantity	Unit	Foot note text
1	2.640-729.0	O-Ring seal set	1.000	ST	
2	5.071-450.0	Bottle grey 1l	1.000	ST	
3	6.388-216.0	Hose DN 5	0.200	M	TO ORDER AS CUT GOODS



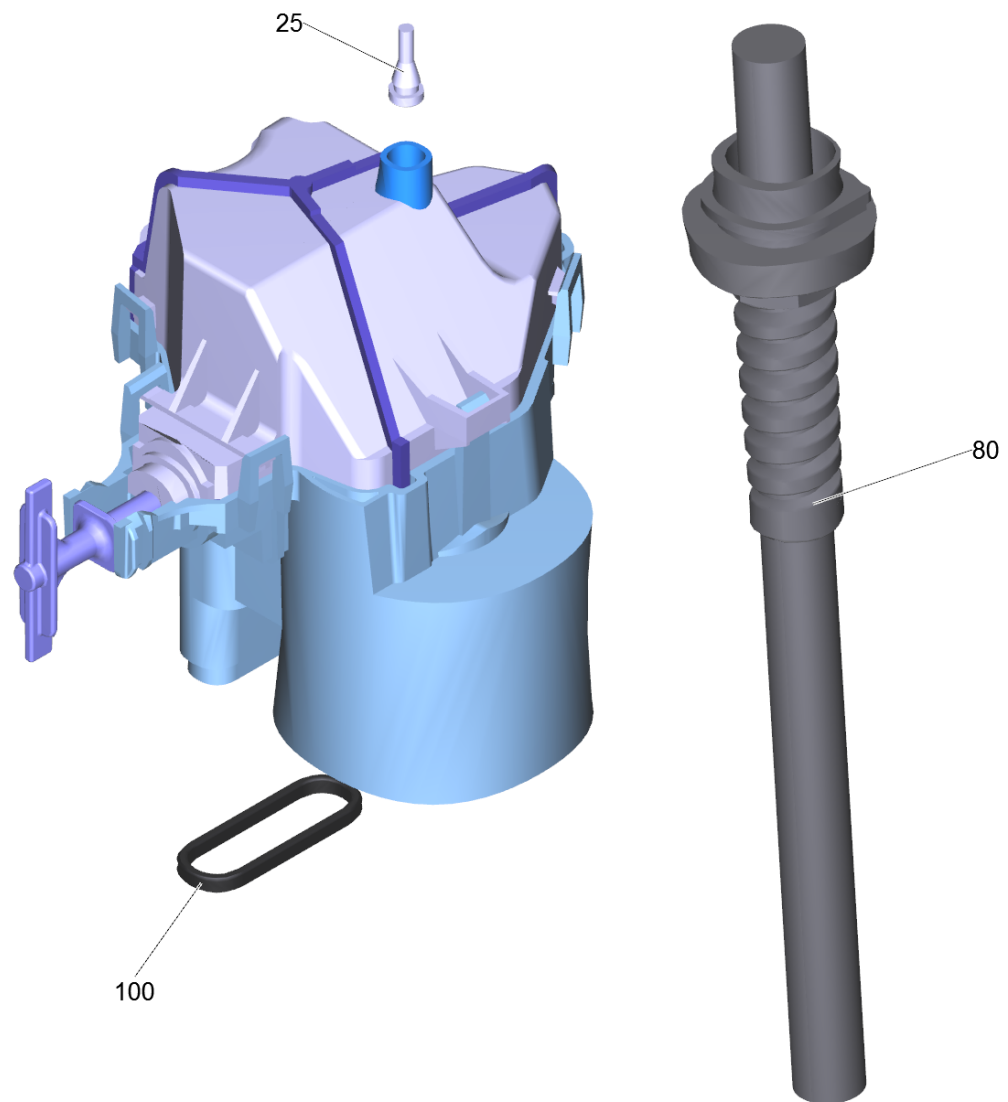
50 Electric box

POS	Article no.	Description	Quantity	Unit	Remark
0	9.001-879.0	Electric box complete	1.000	ST	
	Item text1: 1.630-700.0 /-701.0 /-703.0 /-704.0				
	Item text2: /-706.0				
0	9.001-910.0	Electric box complete	1.000	ST	
	Item text1: 1.630-705.0				
0	9.001-907.0	Electric box complete	1.000	ST	
	Item text1: 1.630-702.0				
1	9.085-095.0	Capacitor 32uF	1.000	ST	32 mF
	Item text1: 1.630-700.0 /-701.0 /-703.0 /-704.0				
	Item text2: /-705.0 /-706.0				
1	9.085-086.0	Capacitor WCM 35uF	1.000	ST	35 mF
	Item text1: 1.630-702.0				
2	9.084-290.0	Cable with plug 3G1 *CH	1.000	ST	
	Item text1: 1.630-705.0				
2	9.084-139.0	Cable with plug *EU	1.000	ST	
	Item text1: 1.630-700.0 /-701.0 /-703.0 /-704.0				
	Item text2: /-706.0				
2	9.084-144.0	Cable with plug	1.000	ST	
	Item text1: 1.630-702.0				
3	9.037-693.0	Handhold switch	1.000	ST	
4	9.080-465.0	Joint ring capacitor d.45, 70 Shore	1.000	ST	
5	9.080-493.0	O-Ring 19,3 x 2,4	1.000	ST	
6	9.760-054.0	E-box sealing cap	1.000	ST	



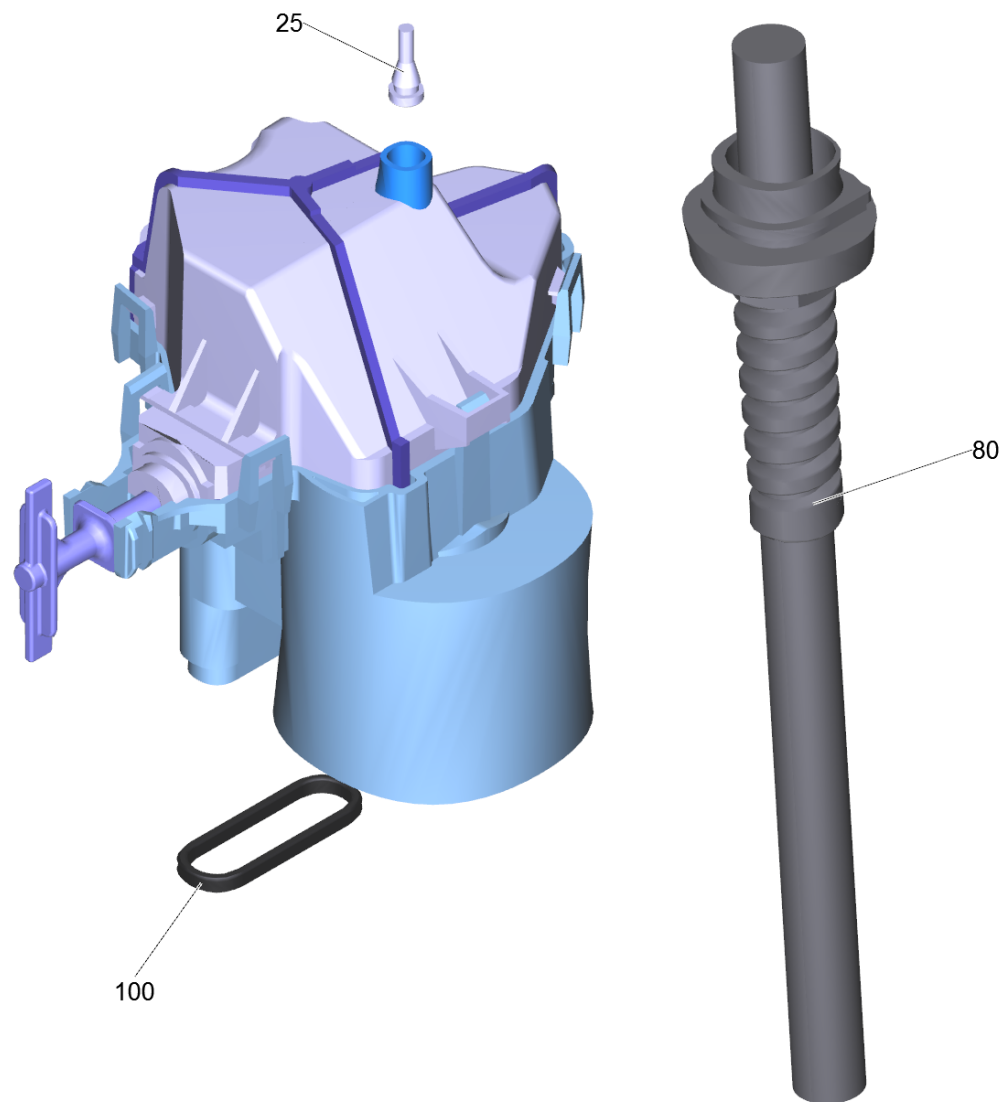
Electric box complete (9.001-879.0)

POS	Article no.	Description	Quantity	Unit
25	9.760-054.0	E-box sealing cap	1.000	ST
80	9.084-139.0	Cable with plug *EU	1.000	ST
100	9.080-493.0	O-Ring 19,3 x 2,4	1.000	ST



Electric box complete (9.001-907.0)

POS	Article no.	Description	Quantity	Unit
25	9.760-054.0	E-box sealing cap	1.000	ST
80	9.084-144.0	Cable with plug	1.000	ST
100	9.080-493.0	O-Ring 19,3 x 2,4	1.000	ST



Electric box complete (9.001-910.0)

POS	Article no.	Description	Quantity	Unit
25	9.760-054.0	E-box sealing cap	1.000	ST
80	9.084-290.0	Cable with plug 3G1 *CH	1.000	ST
100	9.080-493.0	O-Ring 19,3 x 2,4	1.000	ST