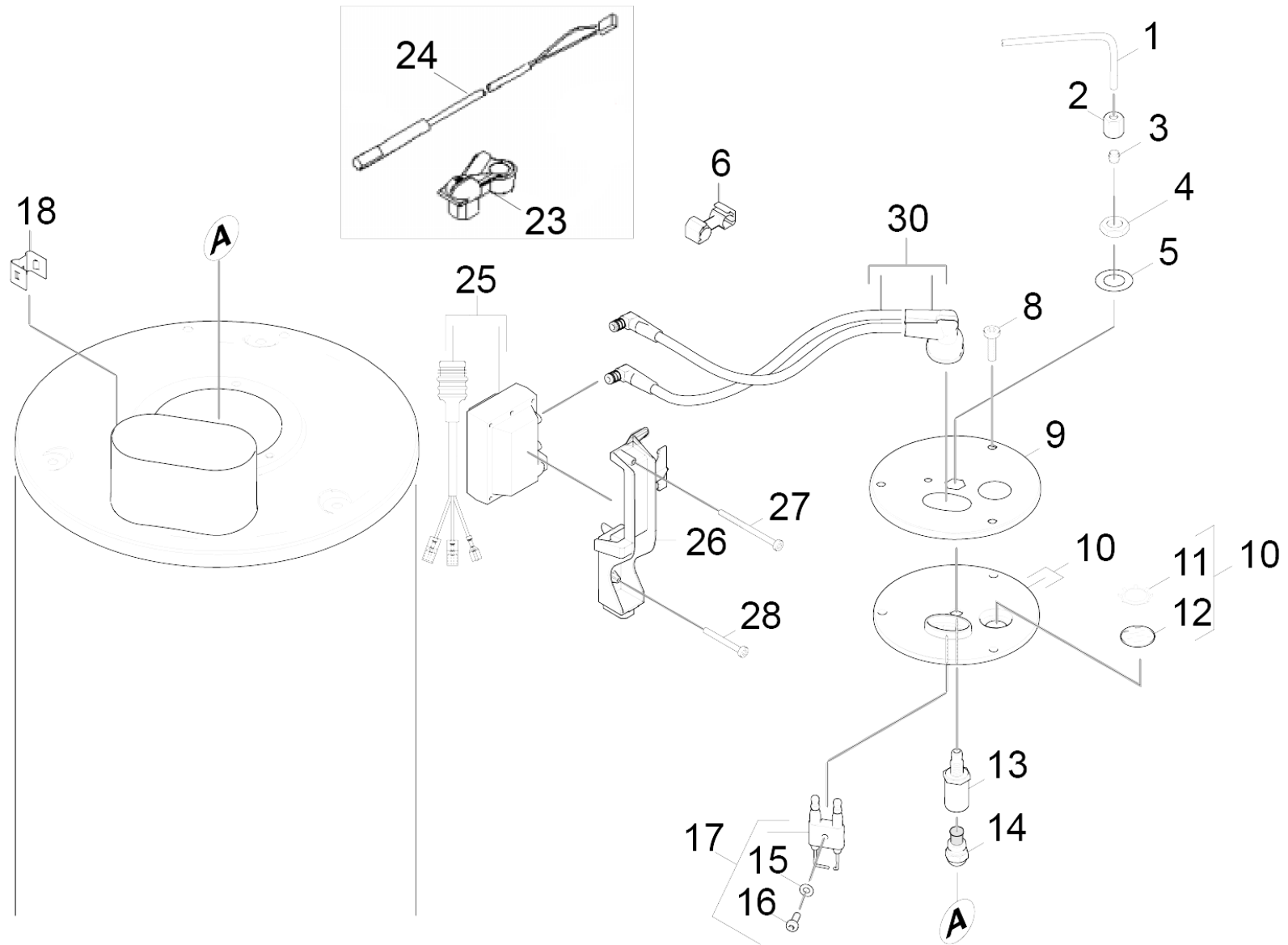


72 Burner cover ignition transformer konv.

Professional \ High pressure cleaner hotwater \ Electric motor \ HDS 9/18-4 M *EU-I \ Spare parts list HDS 9/18-4M *EU-I \ Flow heater \ Burner cover ignition transformer konv.



72 Burner cover ignition transformer konv.

Professional \ High pressure cleaner hotwater \ Electric motor \ HDS 9/18-4 M *EU-I \ Spare parts list HDS 9/18-4M *EU-I \ Flow heater \ Burner cover ignition transformer konv.

KÄRCHER

POS	Article no.	Description	Quantity	Unit
1	5.423-008.0	Conduit fuel	1	PC
17	2.638-974.0	Conversion kit ignition electrode	1	PC
10	4.654-218.0	Cover plate pressure boiler	1	PC
9	5.654-059.0	Cover pressure boiler	1	PC
3	6.389-263.0	Cutting ring d.4	1	PC
26	5.424-140.0	Fixing	1	PC
12	6.278-018.0	Glass pane	1	PC
4	7.311-101.0	Hexagon nut M10x1 -04-A2E DIN 936	1	PC
6	6.647-527.0	Holder	1	PC
23	5.034-982.0	Holder photocell	1	PC
18	5.034-834.0	Holder probe	1	PC
30	4.821-072.0	Ignition cable complete	1	PC
25	6.622-275.0	Ignition transformer -400V, 50 Hz	1	PC
14	6.415-660.0	Nozzle 1,25-60°-SS	1	PC
	Item text1: 1.077-910.0			
14	6.415-682.0	Nozzle 1,35 GPH 45 Grad W	1	PC
	Item text1: 1.077-911.0			
13	5.667-055.0	Nozzle holder	1	PC
24	6.664-055.0	Probe	1	PC
28	7.303-234.0	Screw 5x60-10.9-A2K (K-In6Rd)	1	PC
27	7.303-330.0	Screw 5x85-10.9-ZFBHL (K-In6Rd)	1	PC
8	6.303-192.0	Screw M5x12 TX TAPTITE2000	3	PC
16	7.306-326.0	Screw M5x14 -8.8-ZNBHL (In6Rd)	1	PC
11	6.343-165.0	Serrated ring	1	PC
15	7.312-304.0	Spring washer B 5-FST-A2E DIN 137	1	PC
5	7.312-302.0	Spring washer B10-FST-A2E DIN 137	1	PC
2	6.389-262.0	Union nut A 4-LL	1	PC