

Spare parts list

(4.130-400.0) Lane nozzle

Table of contents

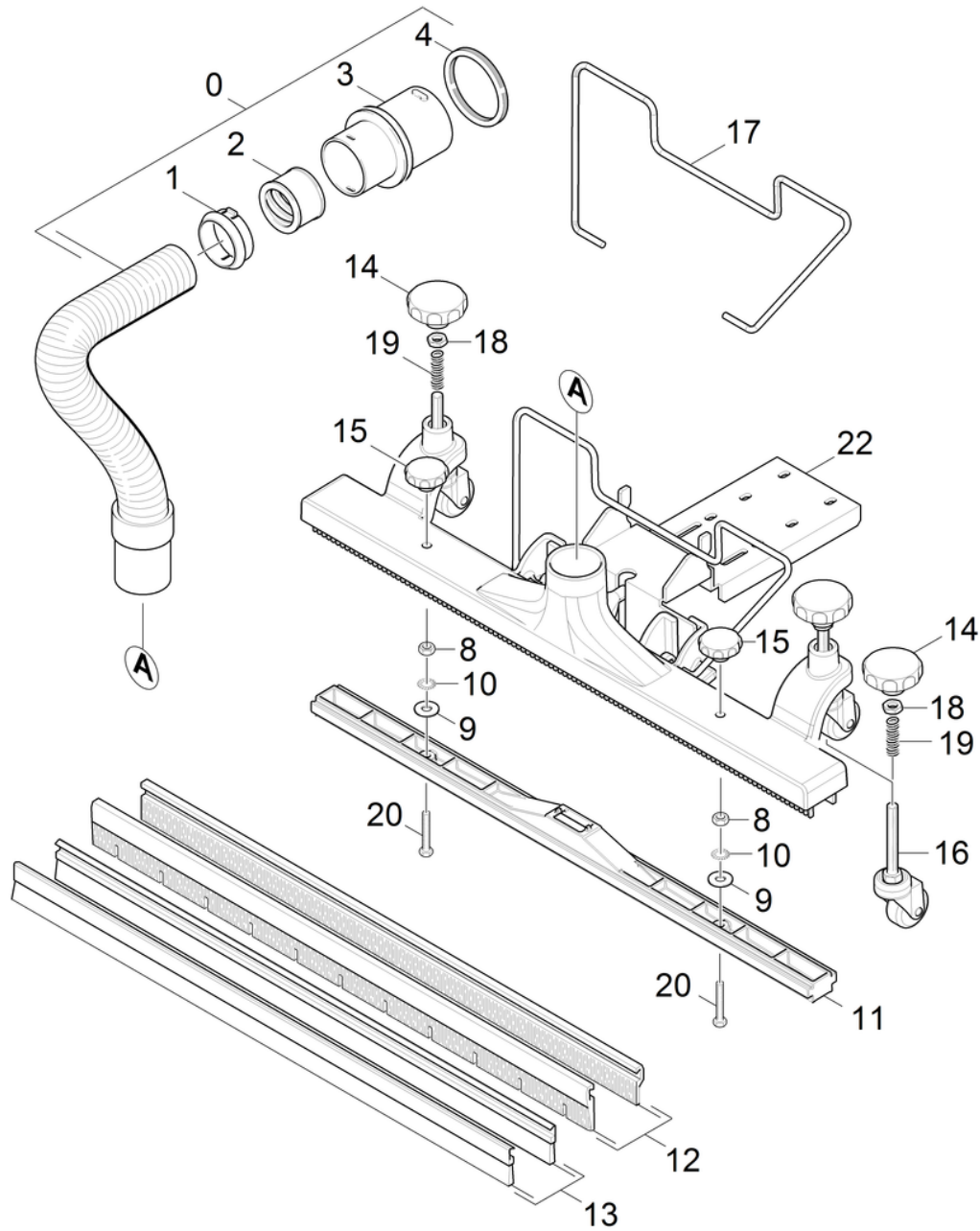
Lane nozzle (4.130-400.0)	3
5 Spare parts list lane nozzle (5.970-480.0)	4
10 Add-on kit lane nozzle	5

Lane nozzle (4.130-400.0)

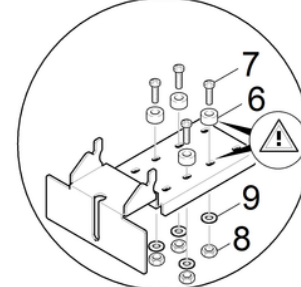
POS	Article no.	Description	Quantity	Unit
5	5.970-480.0	Spare parts list lane nozzle	1.000	ST

5 Spare parts list lane nozzle (5.970-480.0)

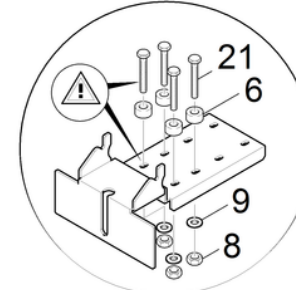
POS	Description	Quantity	Unit
10	Add-on kit lane nozzle	1.000	ST



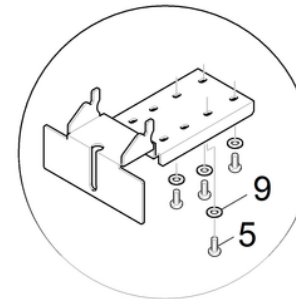
NT 65/2 Eco TC
 NT 72/2 Eco TC ,
 NT 702 Eco TC
 NT 702i



NT 65/2 Eco Me



NT 802i



10 Add-on kit lane nozzle

POS	Article no.	Description	Quantity	Unit
12	6.906-750.0	Brush strips set	1.000	ST
16	6.435-724.0	Castor	2.000	ST
19	5.332-433.0	Helical spring	2.000	ST
20	7.304-549.0	Hexagonal head screw M 6x30-A4-70 ISO 4	2.000	ST
21	7.304-113.0	Hexagonal head screw M 6x60-A4-70 ISO 4	4.000	ST
8	7.311-067.0	Hexagon nut M 6-A2-70 ISO 4032	6.000	ST
18	7.311-204.0	Hexagon nut M10 -A4-035 ISO 4035	2.000	ST
22	5.043-040.0	Holder sheet metal component	1.000	ST
3	5.443-477.0	Hosebarb DN40	1.000	ST
0	4.440-780.0	Hose complete	1.000	ST
4	6.273-009.0	Joint ring EPDM	1.000	ST
11	5.130-400.0	Nozzle bottom part roadway	1.000	ST
13	6.906-751.0	Rubber lip set	1.000	ST
5	7.306-194.0	Screw M6x20 -A2-70 (In6Rd)	4.000	ST
7	7.306-198.0	Screw M 6x40-A2-70 (IN6RD)	4.000	ST
6	5.111-007.0	Sleeve	4.000	ST
1	6.902-068.0	Snap-in ring	1.000	ST
10	7.312-305.0	Spring washer B 6-FST-A2E DIN 137	2.000	ST
15	6.321-188.0	Star grip D40 M6	2.000	ST
14	6.321-187.0	Star grip D55 M10	2.000	ST
17	5.034-741.0	Strap lane nozzle	1.000	ST
2	6.902-069.0	Threaded ring	1.000	ST
9	7.312-026.0	Washer 6 -A2 ISO 7089	6.000	ST