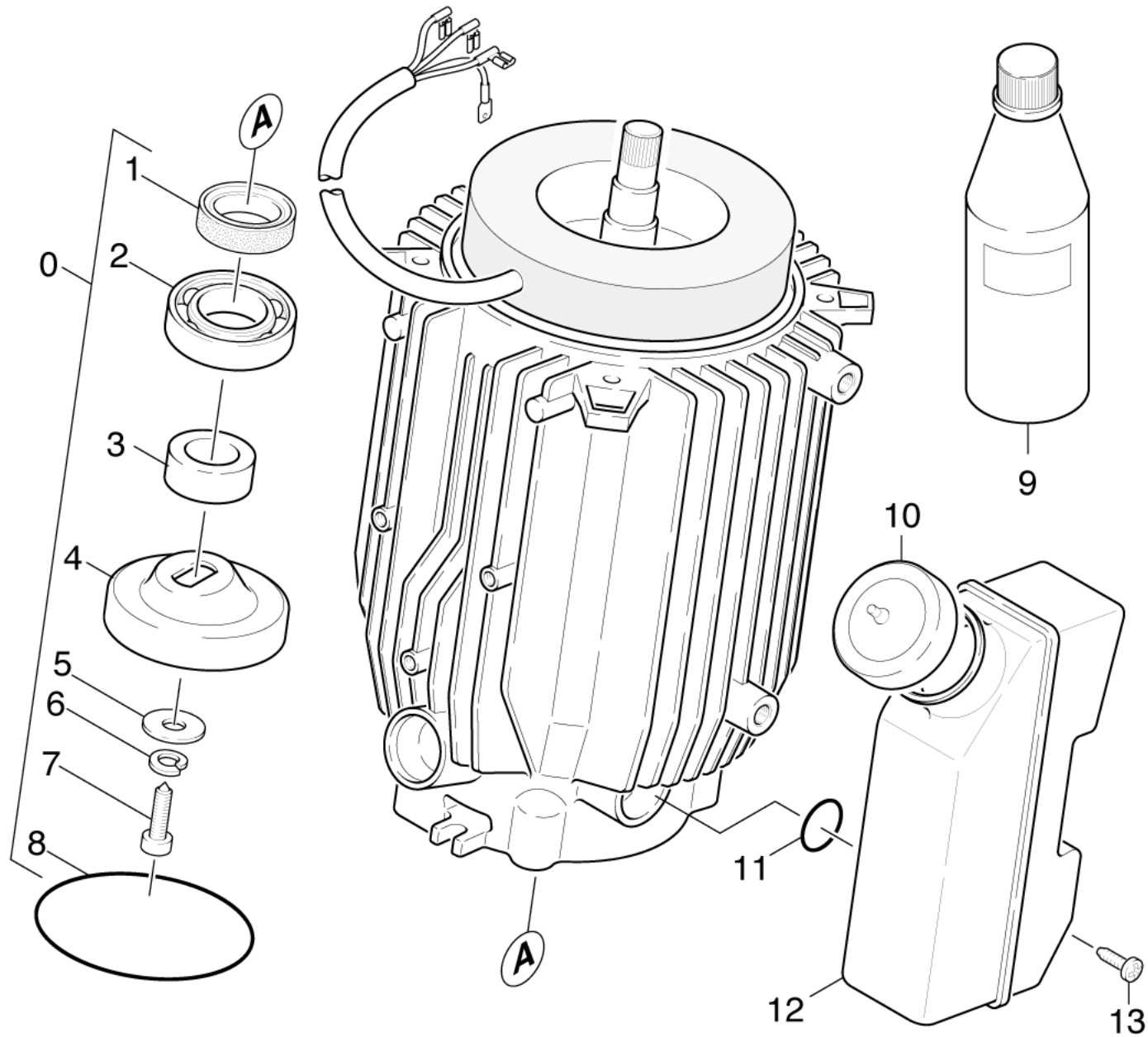


# 32 Transmission

Professional \ High pressure cleaner cold water \ Electric motor \ HD 650 \*EU \ Spare parts list HD 650 230V 1 PH 50 HZ \ Motor \ Transmission



## 32 Transmission

Professional \ High pressure cleaner cold water \ Electric motor \ HD 650 \*EU \ Spare parts list HD 650 230V 1 PH 50 HZ \ Motor \ Transmission



POS	Article no.	Description	Quantity	Unit
0	4.623-387.0	Motor complete only for replacement (WS) <b>Item text1:</b> / 1.150-101.0 / -103.0 / -113.0 <b>Item text2:</b> / -121.0 / -301.0 / -311.0 / -803.0	1	PC
0	7.777-999.0	Stockpiling discontinued <b>Item text1:</b> / 1.150-109.0	1	PC
0	7.777-999.0	Stockpiling discontinued <b>Item text1:</b> / 1.150-102.0 / -104.0 / -804.0 <b>Item text2:</b> / -805.0	1	PC
0	7.777-999.0	Stockpiling discontinued <b>Item text1:</b> / 1.150-114.0	1	PC
1	7.367-008.0	Radial shaft seal ring A25x35x7-NBR DIN	1	PC
2	6.401-427.3	Angular contact ball bearing	1	PC
3	5.112-586.0	Bush <b>Item text1:</b> / 4.623-387.0 / -397.0	1	PC
4	6.401-294.3	Wobble plate	1	PC
4	4.120-191.0	Wobble plate complete <b>Item text1:</b> / 1.150-114.0	1	PC
4	4.120-186.0	Wobble plate complete <b>Item text1:</b> / 1.150-109.0	1	PC
5	7.312-277.0	Washer 8-200HV-A2E ISO7093-1	1	PC
6	7.313-004.0	Spring washer B 8-FSt-A3E DIN 127	1	PC
7	7.306-042.0	Cylinder head screw M8x25 -8.8-A2E ISO4	1	PC
8	6.362-768.0	O-Ring seal 88.0X 2.2	1	PC
9	6.288-050.0	Engine oil 1L	1	PC
10	5.064-457.0	Cover plate qusty grey oil	1	PC
11	6.362-161.0	O-Ring seal 19,3 X 2,4	1	PC
12	5.070-489.0	Tank oil	1	PC
13	7.303-038.0	Screw M5x12 -St-P2R (In6Rd)	1	PC