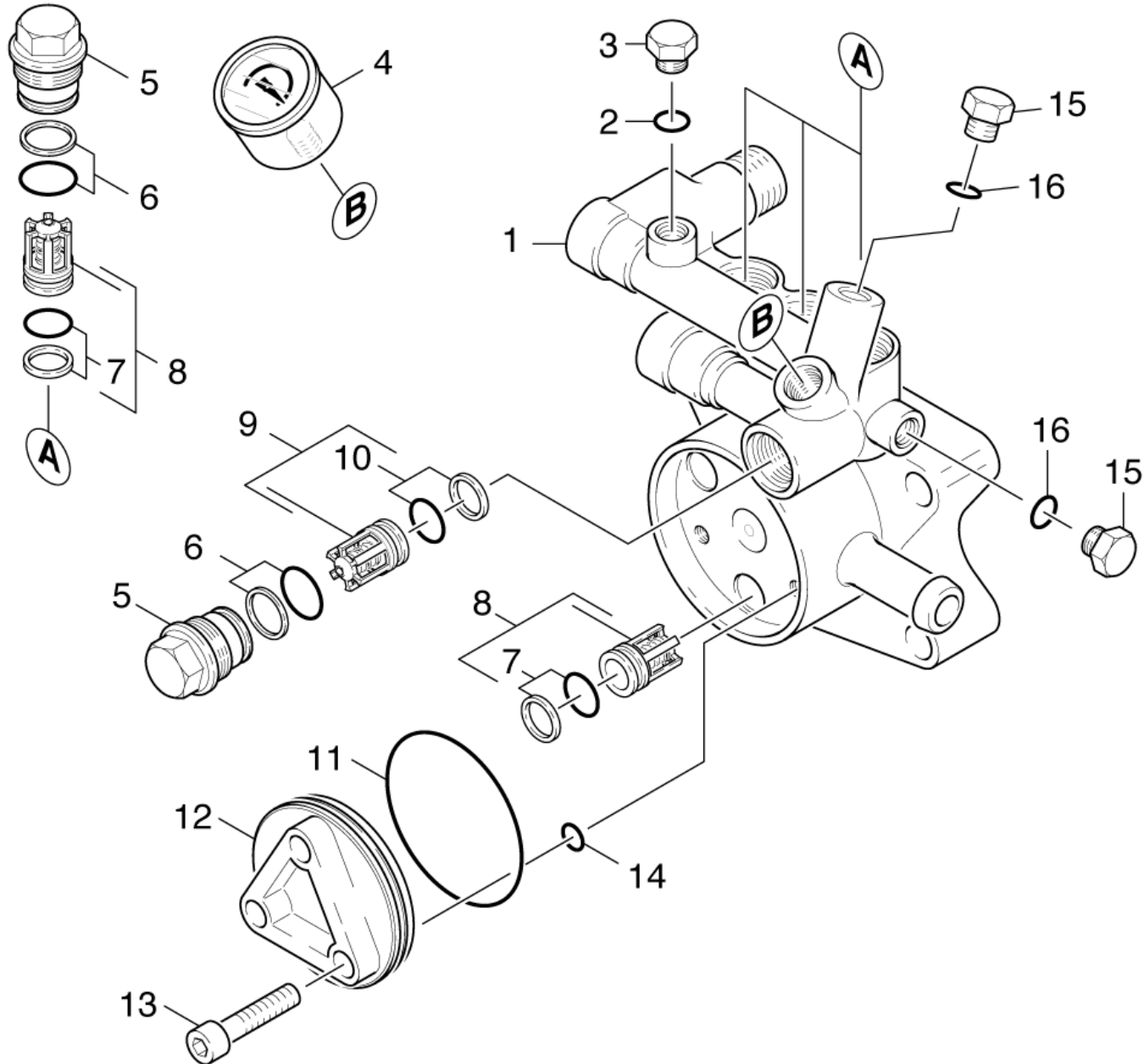


# 22 Cylinder head

Professional \ High pressure cleaner cold water \ Electric motor \ HD 16/15 PLUS \*EU-I \ Spare parts list HD 16/15 \ Pump set \ Cylinder head



## 22 Cylinder head

Professional \ High pressure cleaner cold water \ Electric motor \ HD 16/15 PLUS \*EU-I \ Spare parts list HD 16/15 \ Pump set \ Cylinder head

**KÄRCHER**

POS	Article no.	Description	Quantity	Unit
1	5.550-293.0	Cylinder head	1	PC
2	6.362-101.0	O-Ring seal 8 X 2	1	PC
3	5.411-070.0	Screw plug	1	PC
4	6.421-214.0	Pressure gauge 0-300 BAR	1	PC
5	5.583-125.0	Valve screw	4	PC
6	6.362-500.0	O-Ring seal complete /1ST.-R.	4	PC
7	4.363-693.0	O-Ring seal kpl. -nur fuer Ersatz-	6	PC
8	2.884-906.0	TRIPLE VALVE	2	PC
9	4.580-262.0	Valve complete	1	PC
10	6.362-381.0	O-Ring seal 13x2 - NBR 70	1	PC
11	6.362-501.0	O-Ring seal 68,0 X 2,0-NBR 70	1	PC
12	5.063-611.0	Cover housing	1	PC
13	7.306-074.0	Cylinder head screw M10x35-8.8-A3E ISO4	3	PC
14	6.362-858.0	O-Ring seal 11,0 X 1,5	3	PC
15	5.411-117.0	Screw plug	2	PC
16	7.362-004.0	Joint ring A12x15,5 -Cu DIN 7603	2	PC