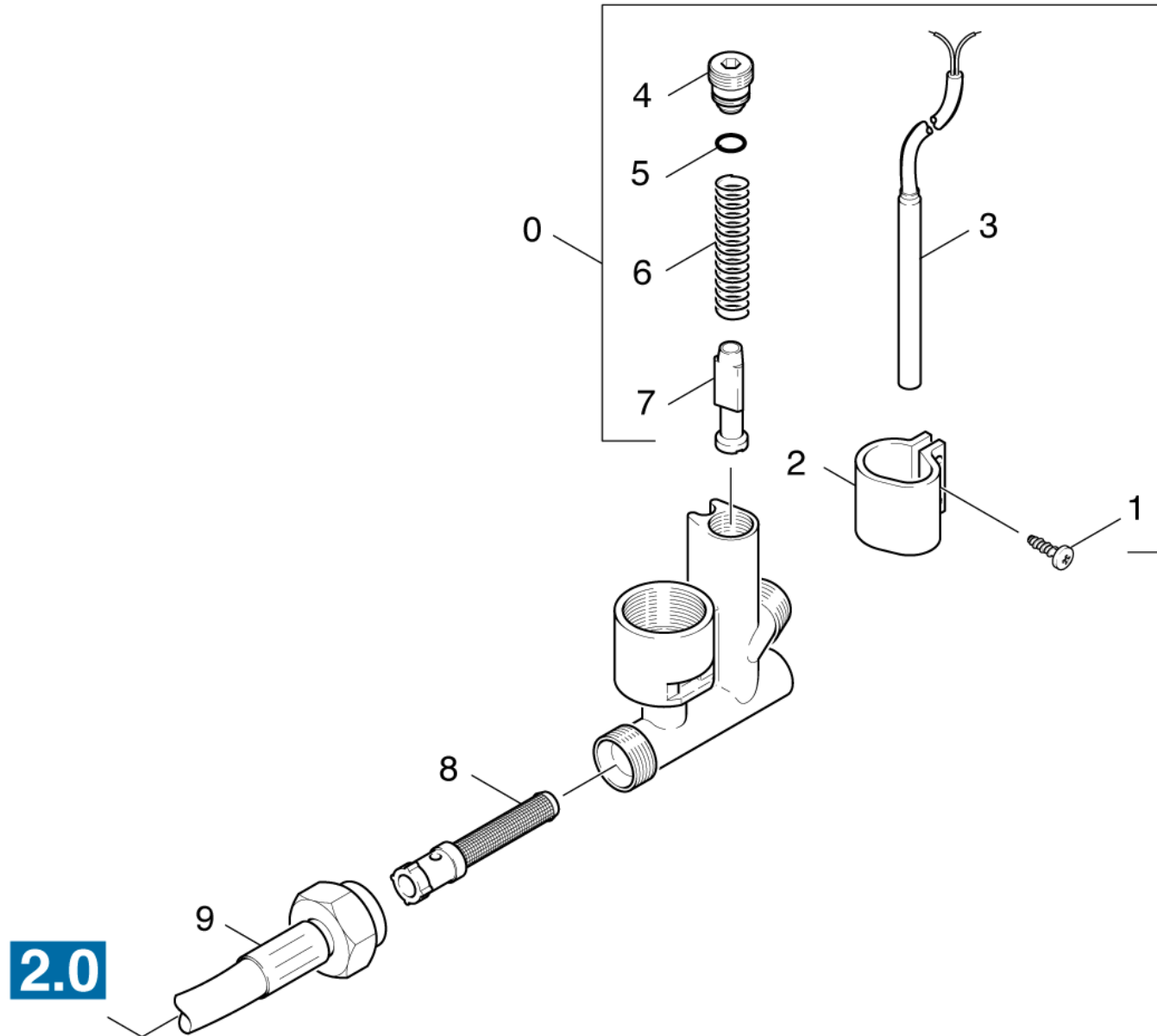


## 92 Reed switch

Overview technical documents/Professional/High pressure cleaner hotwater/Electric motor/HDS 600 Cl \* J (1.962-406.0)/Spare parts list HDS 600 Cl \*/90 Safety system/92 Reed switch



## 92 Reed switch

Overview technical documents/Professional/High pressure cleaner hotwater/Electric motor/HDS 600 CI \*J (1.962-406.0)/Spare parts list HDS 600 CI \*/90 Safety system/92 Reed switch

Rez.daļas/nodil.pakļ.daļas	Poz.	Materiāla Nr.	Nosaukums	Daudzums	Pārdoš. vienība	no sēr. Nr..	līdz sēr. Nr.
	0	4.749-125.0	Safety system	1.000	ST	0000000000	0000000000
	1	6.303-122.0	M4	1.000	ST	0000000000	0000000000
	2	5.041-076.0	Clamp	1.000	ST	0000000000	0000000000
	3	2.883-384.0	Reed switch replacement	1.000	ST	0000000000	0000000000
	4	5.305-162.0	Formas skrūve	1.000	ST	0000000000	0000000000
	5	6.362-482.0	Gredzenblīve 10 x 1,5-NBR 70	1.000	ST	0000000000	0000000000
	6	5.332-057.0	Spirālveida atspere	1.000	ST	0000000000	0000000000
X	7	4.553-022.0	Piston	1.000	ST	0000000000	0000000000
	8	6.414-436.0	Sieta filtrs	1.000	ST	0000000000	0000000000
	9	6.389-568.0	Augstspiediena šļūtene DN 8	1.000	ST	0000000000	0000000000