

## **Spare parts list**

(1.161-070.0) BD 50/70 R Classic

## Table of contents

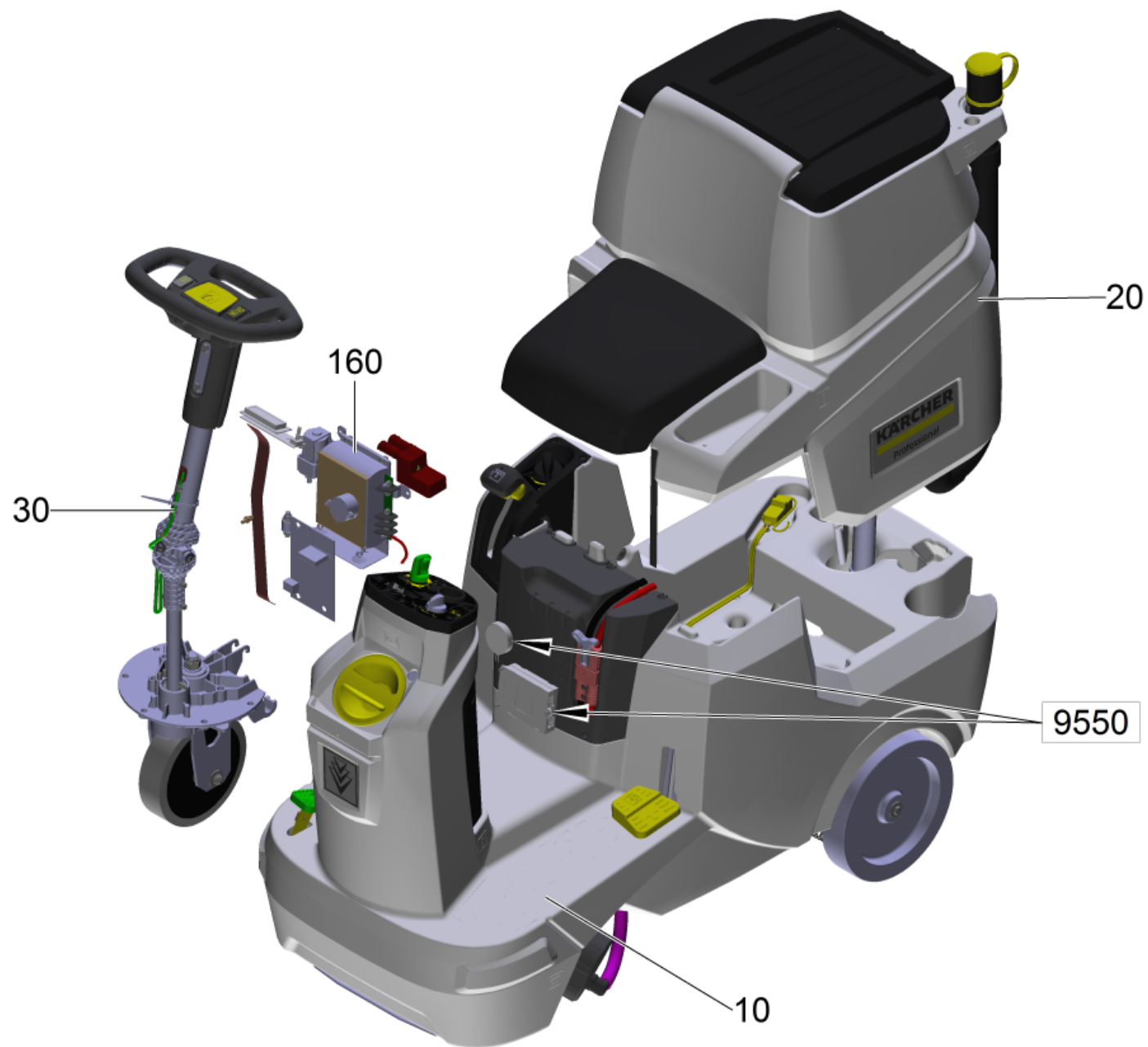
---

BD 50/70 R Classic (1.161-070.0)	4
10 Fresh water tank complete	8
10 Fresh water tank packaged (4.039-273.3)	11
20 Ball valve complete	12
40 Throttle pedal complete	14
50 Covering cap suction bar complete	16
200 Key switch (6.630-106.0)	18
20 Waste water tank complete	20
30 Seat complete B70R (4.039-264.3)	22
40 Vacuum motor enclosure complete	24
60 Vacuum motor replacement (4.035-006.0)	26
110 Float complete	27
30 Steering complete	29
10 Steering above complete	31
10 Steering wheel (4.039-279.0)	33
20 Steering complete bottom	34
40 Transmission complete	36
10 Drive axle differential 300W (4.039-281.0)	38
130 Lifting device brush-head kpl.	40
140 Brush-head complete B70R	42
130 Gear motor spur gear Hengye 24V (4.039-282.0)	45
180 Disc brush complete red D51 (4.905-026.0)	46
150 Holder suction bar complete	48
160 Electronic components B70R	50
50 Control system complete B70R	52
560 Electronics with display (4.683-085.0)	54
700 Suction bar straight 850mm (4.777-401.0)	55
10 Suction bar pre-assembled straight 850mm	57
9000 Support roller complete replacement (4.035-171.0)	59
9000 Conversion kit support roller deep (4.035-281.0)	61
9000 Roller suction bar (4.035-339.0)	63
9002 BLADES FOR TEXTURED FLOORS (6.273-290.0)	65
710 Suction bar curved 850mm (4.777-411.0)	66
10 Suction bar pre-assembled curved 850mm	68
9000 Support roller complete replacement (4.035-171.0)	70
9000 Conversion kit support roller deep (4.035-281.0)	72
9000 Roller suction bar (4.035-339.0)	74
9002 BLADES FOR TEXTURED FLOORS (6.273-290.0)	76

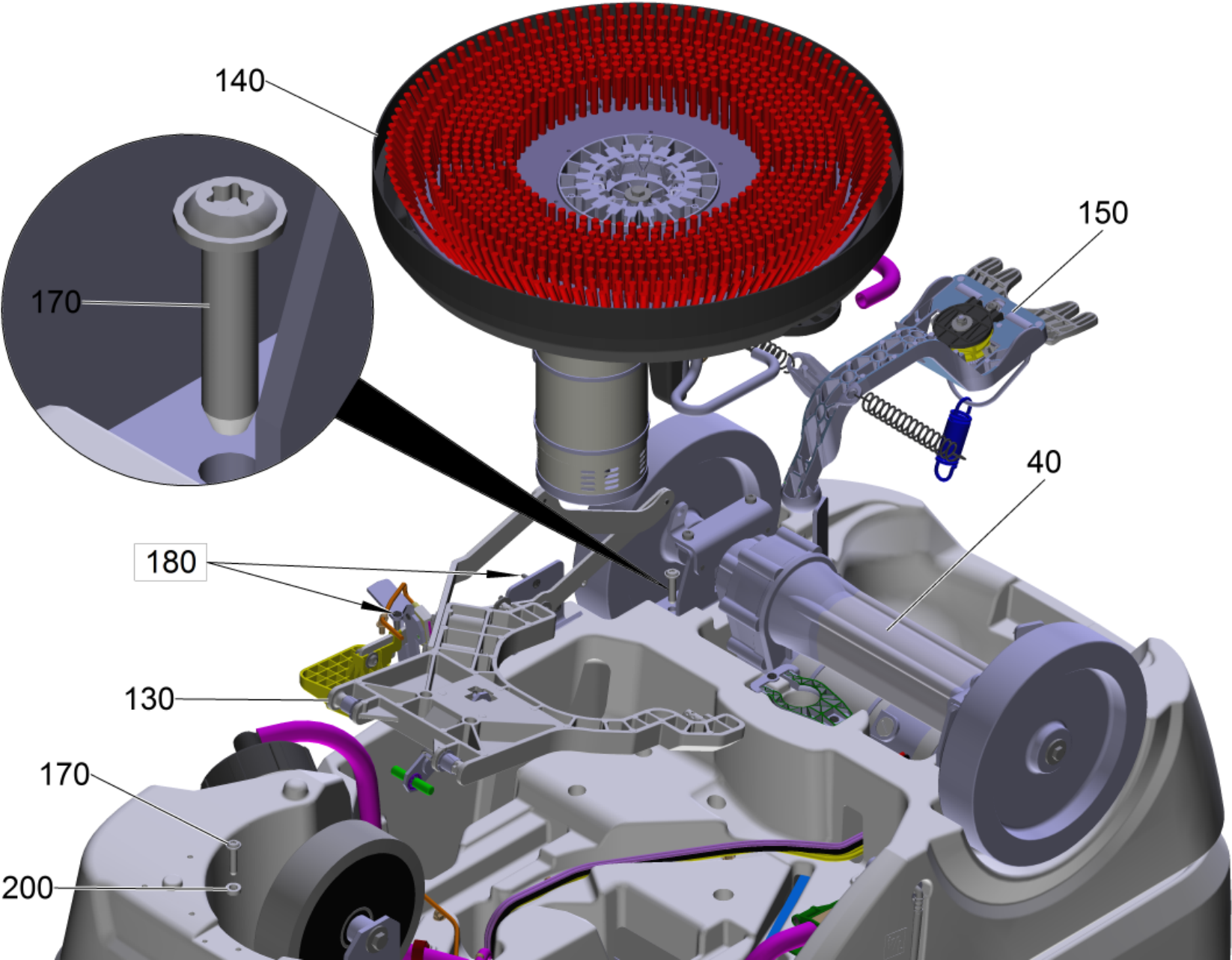
## Table of contents

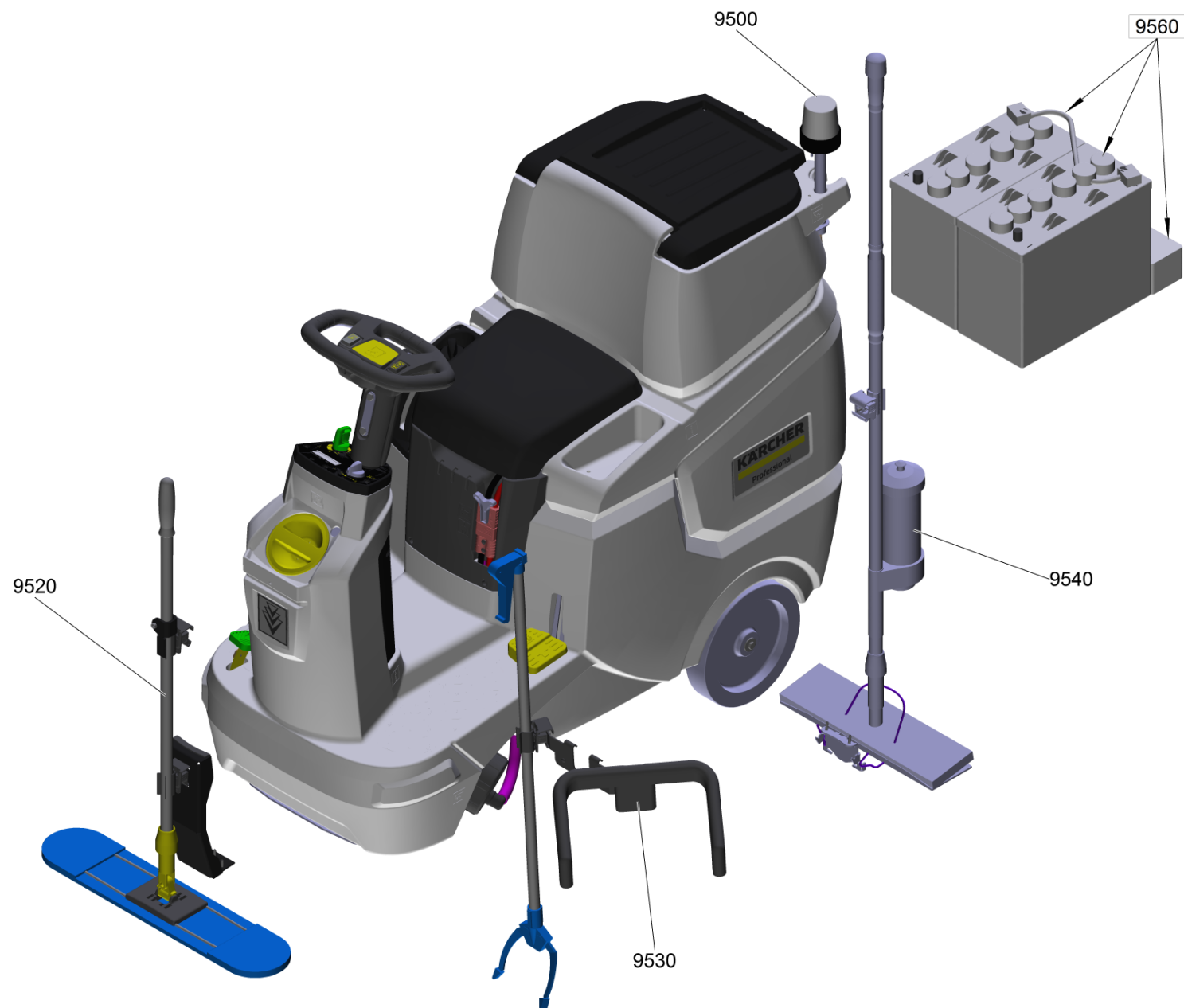
---

9500 Add-on kit revolving signal light (4.039-267.0)	77
10 Revolving signal light BD50/70R Classic (4.039-294.0)	79
9510 KAERCHER Diagnostics completely (2.816-208.0)	80
50 KAERCHER Diagnostics modules (2.643-615.0)	82
9520 Add-on kit pre-sweep unit (4.039-270.0)	84
9530 Add-on kit liner holder (4.039-269.0)	86
9540 Add-on kit mop holder (4.039-271.0)	88
9550 KAERCHER reversion kit Fleet Services NA (2.644-107.0)	90
9550 Add-on kit fleet management module (4.039-268.0)	92









## BD 50/70 R Classic (1.161-070.0)

POS	Article no.	Description	Quantity	Unit
9550	4.039-268.0	Add-on kit fleet management module	1.000	ST
9530	4.039-269.0	Add-on kit liner holder	1.000	ST
9540	4.039-271.0	Add-on kit mop holder	1.000	ST
9520	4.039-270.0	Add-on kit pre-sweep unit	1.000	ST
9500	4.039-267.0	Add-on kit revolving signal light	1.000	ST
9560	4.035-549.0	Battery kit 115 Ah BD 50/70 R	1.000	ST
140		Brush-head complete B70R	1.000	ST
160		Electronic components B70R	1.000	ST
10		Fresh water tank complete	1.000	ST
150		Holder suction bar complete	1.000	ST
9510	2.816-208.0	KAERCHER Diagnostics completely	1.000	ST
9550	2.644-107.0	KAERCHER reversion kit Fleet Services NA	1.000	ST
130		Lifting device brush-head kpl.	1.000	ST
180	7.303-108.0	Screw 5x20 -10.9-R2R (In6Rd)	6.000	ST
170	6.303-315.0	Screw 8 x 35	8.000	ST
200	5.033-064.0	Sleeve	4.000	ST
30		Steering complete	1.000	ST
710	4.777-411.0	Suction bar curved 850mm	1.000	ST
700	4.777-401.0	Suction bar straight 850mm	1.000	ST
40		Transmission complete	1.000	ST
20		Waste water tank complete	1.000	ST



## 10 Fresh water tank complete

POS	Article no.	Description	Quantity	Unit	Foot note text
90	6.395-163.3	Angle bushing G1-2	1.000	ST	
20		Ball valve complete	1.000	ST	
360		Cable harness control panel B70R	1.000	ST	
400		Cable harness control system fresh water	1.000	ST	
450	6.641-474.0	Cable tape 8-210	2.000	ST	
190	5.032-326.0	Cap	1.000	ST	
130	6.641-478.0	Clamp 22,0	4.000	ST	
30	5.035-380.0	Cover fresh water filler neck	1.000	ST	
60	5.035-341.0	Cover fresh water tank discharge	1.000	ST	
160	4.039-277.0	Covering cap control panel	1.000	ST	
150	5.039-134.3	Covering cap electronics	1.000	ST	
170	5.039-135.3	Covering cap steering pillar	1.000	ST	
50		Covering cap suction bar complete	1.000	ST	
220	6.391-913.0	Elbow nipple	2.000	ST	
80	5.035-376.0	Filter discharge	1.000	ST	
180	5.034-141.0	Fixing plate suction bar	1.000	ST	
270	6.039-019.0	Flanged bearing D25	1.000	ST	
330	5.039-161.3	Foil control panel B70	1.000	ST	
340	5.039-162.3	Foil water quantity	1.000	ST	
10	4.039-273.3	Fresh water tank packaged	1.000	ST	
9001	6.648-508.0	Handhold plug SB120	1.000	ST	
100	6.310-004.0	Hexagon nut G 1/2"	1.000	ST	
440	7.311-003.0	Hexagon nut M6 -8-A2E ISO 4032	2.000	ST	
290	6.373-876.0	Hose clip	1.000	ST	
70	5.035-342.0	Hose connection fresh water discharge	1.000	ST	
350	6.390-324.0	Hose DN15	1.000	M	TO ORDER AS CUT GOODS
240	5.039-142.0	Hose level silicon	1.000	ST	
470	5.039-176.0	Joint ring steering pillar	1.000	ST	
200	6.630-106.0	Key switch	1.000	ST	
410	5.396-372.0	Label signet XL 76.7x85	1.000	ST	
250	5.035-358.0	Mounting rope cover fresh water tank	1.000	ST	
300	5.039-153.0	Plate air circulation	1.000	ST	
9000	6.648-505.0	Plug two-pole SB 120	1.000	ST	

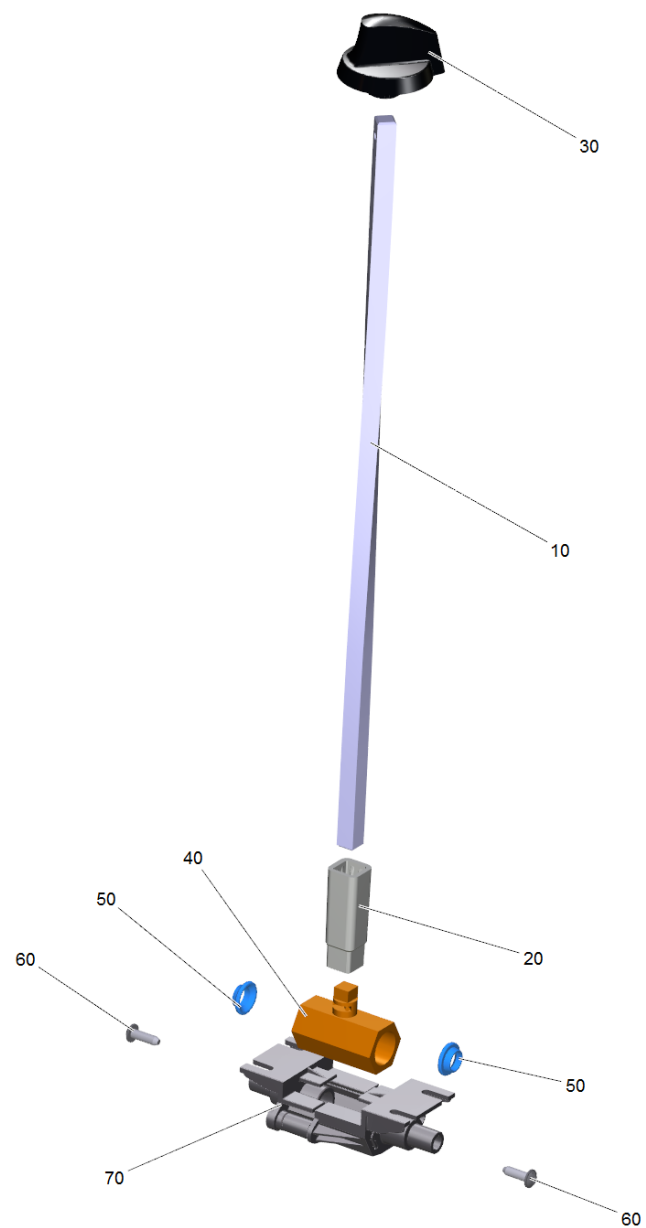
## 10 Fresh water tank complete

POS	Article no.	Description	Quantity	Unit	Foot note text
370	5.039-107.0	Retaining plate	1.000	ST	
210	5.035-437.0	Rotary controller	1.000	ST	
320	7.303-129.0	Screw 4x16 -10.9-R2R (K-In6Rd)	4.000	ST	
140	7.303-108.0	Screw 5x20 -10.9-R2R (In6Rd)	38.000	ST	
310	7.303-110.0	Screw 5x35 -10.9-R2R (In6Rd)	2.000	ST	
430	7.306-090.0	Screw M6x16 -8.8-R3R (In6Rd)	2.000	ST	
110	5.515-253.0	Seal D34	1.000	ST	
460	5.035-167.0	Sleeve	1.000	ST	
260	6.035-072.0	Sphere level indicator D6	1.000	ST	
280	5.039-145.0	Strap	1.000	ST	
40		Throttle pedal complete	1.000	ST	
390	7.312-278.0	Washer 5-200HV-A2E ISO7093-1	1.000	ST	
420	7.312-003.0	Washer 6 -200HV-A3E ISO 7090	4.000	ST	
380	7.312-277.0	Washer 8-200HV-A2E ISO7093-1	1.000	ST	
120	6.039-030.0	Washer PA6 D20	3.000	ST	
230	5.035-608.0	Wire protecting sleeve	2.000	ST	

10 Fresh water tank packaged (4.039-273.3)

---

POS	Article no.	Description	Quantity	Unit
20	5.394-081.0	Label signet gel 78x86	1.000	ST



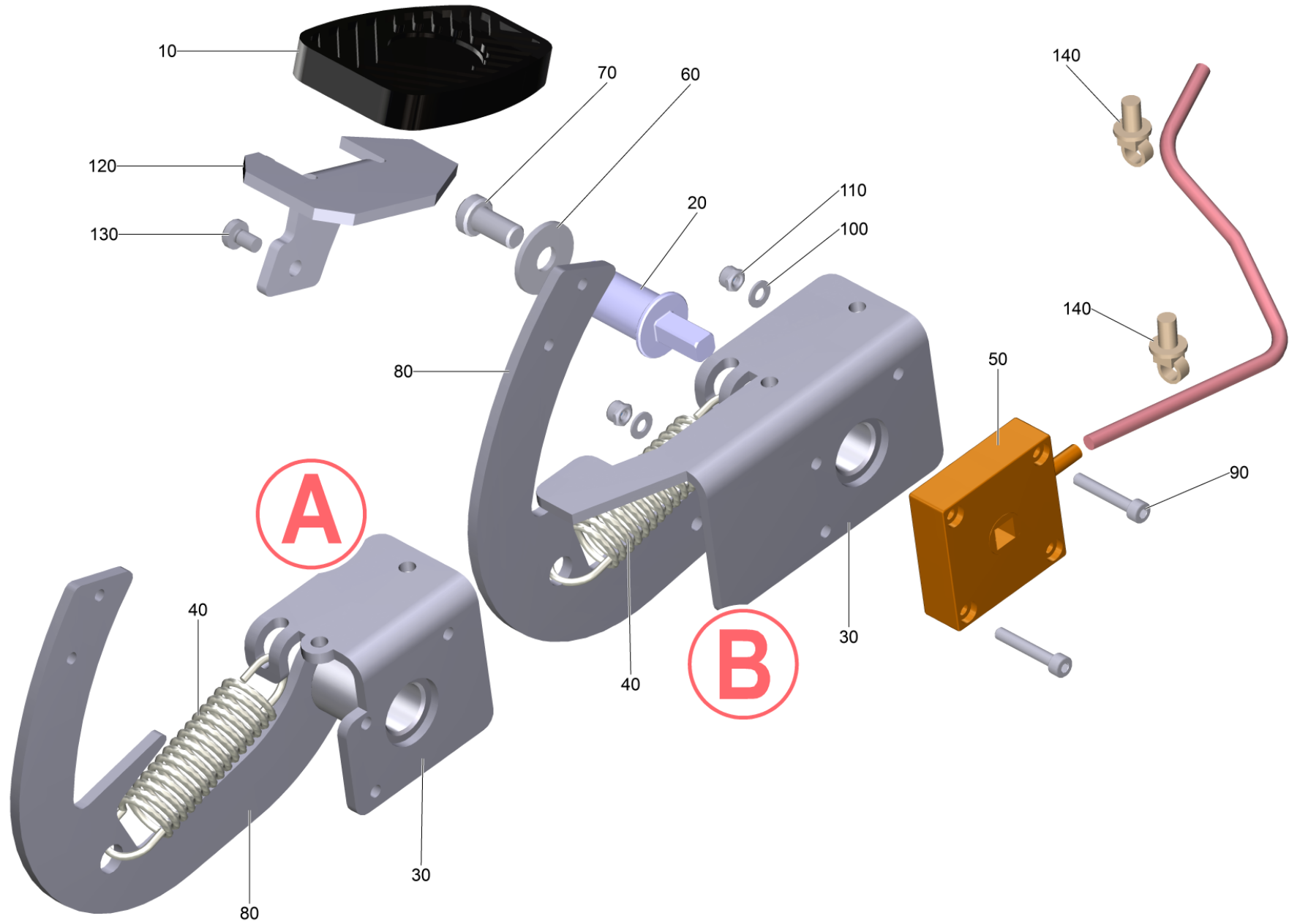


## 20 Ball valve complete

---

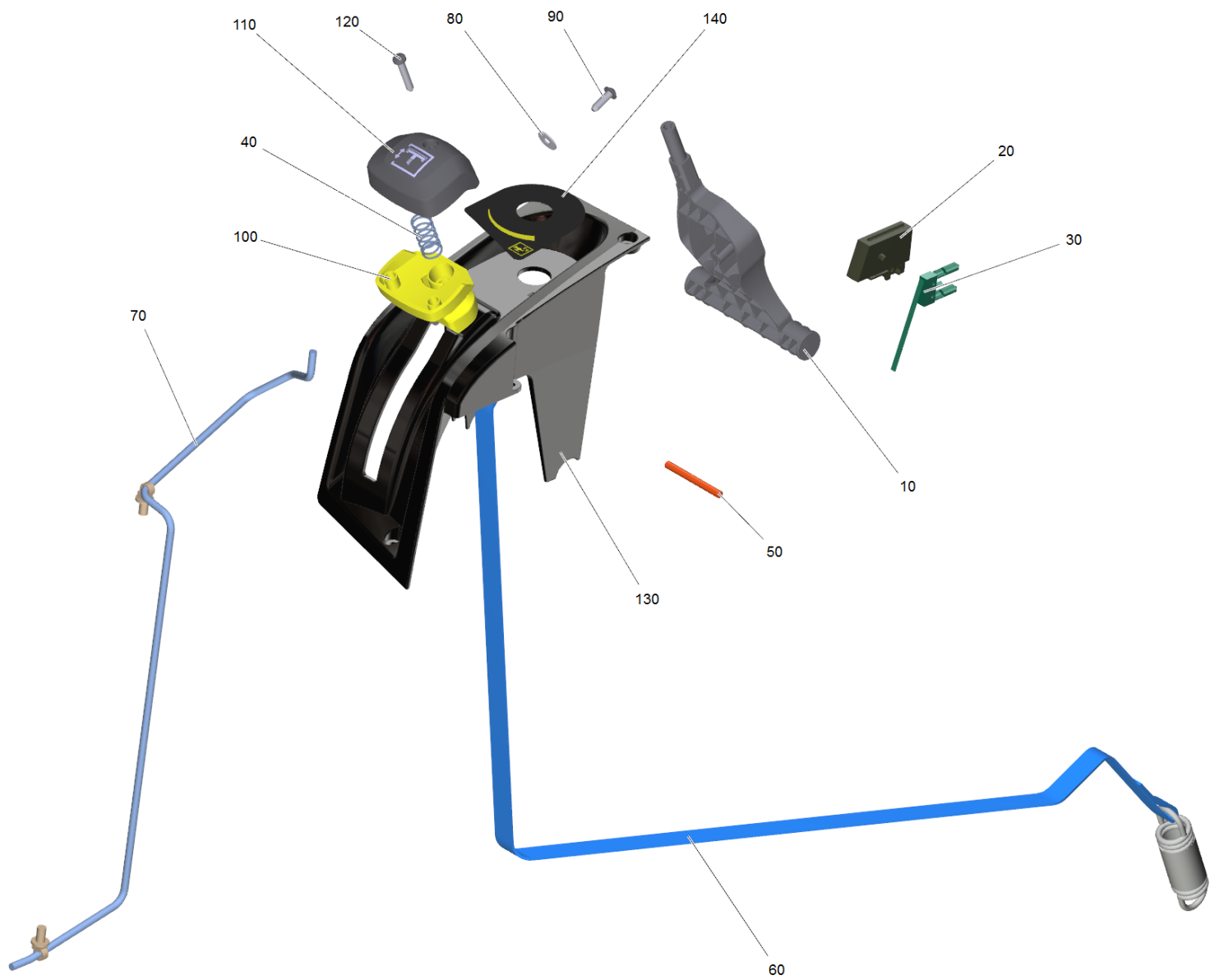
<b>POS</b>	<b>Article no.</b>	<b>Description</b>	<b>Quantity</b>	<b>Unit</b>
40	6.413-586.0	Ball valve without handhold	1.000	ST
10	5.039-143.0	Bar ball valve	1.000	ST
20	5.035-459.0	Coupler piece ball valve	1.000	ST
30	5.035-404.0	Handle	1.000	ST
70	5.039-136.3	Holder ball valve straight DN12/17	1.000	ST
60	7.303-107.0	Screw 5x16 -10.9-P2R (K-In6Rd)	2.000	ST
50	5.035-770.0	Seal ball valve	2.000	ST

40 Throttle pedal complete



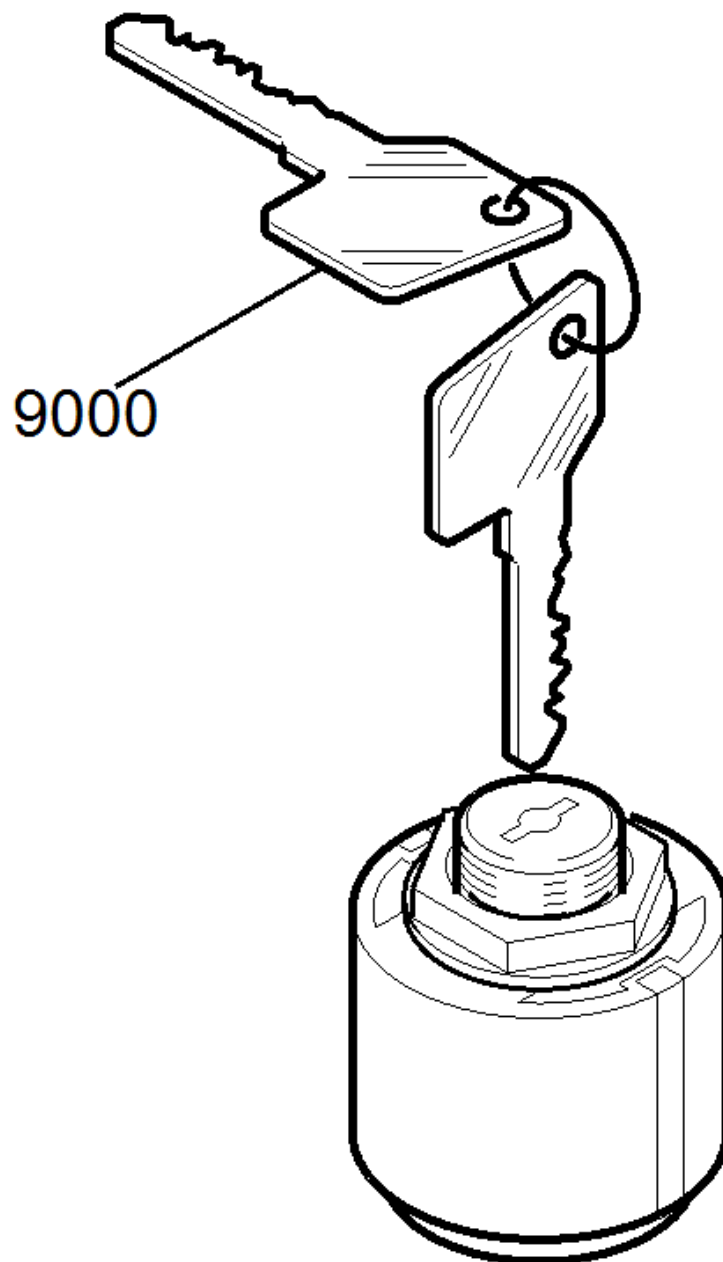
## 40 Throttle pedal complete

POS	Article no.	Description	Quantity	Unit	Foot note text
140	6.650-605.0	Cable tie with clip	2.000	ST	
10	6.321-046.0	Coating pedal	1.000	ST	
70	7.306-380.0	Cylinder head screw M8x16 -A2 DIN 7984*	1.000	ST	
40	6.330-190.0	Extension spring	1.000	ST	
110	7.311-516.0	Hexagon nut M 4-A2-70 DIN 985	2.000	ST	
30	4.039-306.0	Holder throttle pedal	1.000	ST	VERSION B
30	4.039-257.0	Holder throttle pedal	1.000	ST	VERSION A
120	5.039-146.0	Plate throttle pedal above	1.000	ST	
80	5.039-259.0	Plate throttle pedal bottom	1.000	ST	VERSION B
80	5.039-147.0	Plate throttle pedal bottom	1.000	ST	VERSION A
50	6.330-001.0	Potentiometer shafts sensor	1.000	ST	
90	7.306-211.0	Screw M 4x25-A2-70 (IN6RD)	2.000	ST	
130	7.306-067.0	Screw M 5x8-ST- 8.8-R2R (IN6RD)	2.000	ST	
20	5.035-891.0	Shaft gas pedal	1.000	ST	
100	7.312-067.0	Washer 4-A2 ISO 7089	2.000	ST	
60	7.312-289.0	Washer 8 -A2 ISO 7093-1	1.000	ST	



## 50 Covering cap suction bar complete

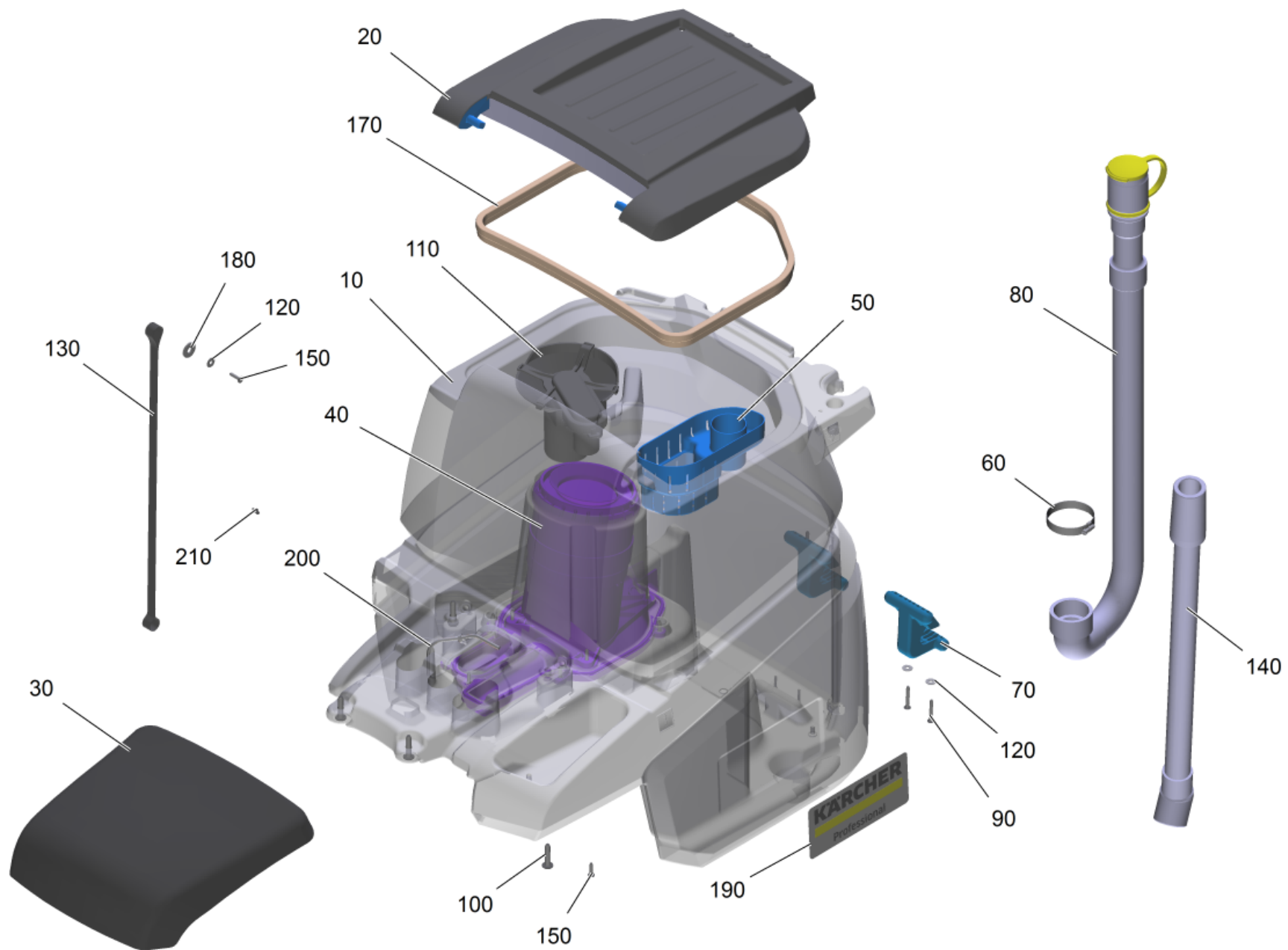
POS	Article no.	Description	Quantity	Unit
50	5.035-453.0	Axle lever suction bar	1.000	ST
70	6.683-577.0	Cable suction bar B70R	1.000	ST
10	4.013-010.0	Conscription suction bar reinforced kpl.	1.000	ST
130	5.039-117.0	Covering cap connecting link suction bar	1.000	ST
140	5.039-162.0	Foil water quantity	1.000	ST
20	5.060-998.0	Housing micro switch	1.000	ST
110	5.039-115.0	Knob suction bar	1.000	ST
30	6.630-398.0	Micro switch	1.000	ST
40	6.039-021.0	Pressure spring	1.000	ST
100	5.039-116.0	Pusher suction bar	1.000	ST
90	7.303-107.0	Screw 5x16 -10.9-P2R (K-In6Rd)	1.000	ST
120	7.303-210.0	Screw 5x30 -10.9-P2R (In6Rd)	1.000	ST
60	4.039-274.0	Suction beam retraction	1.000	ST
80	7.312-264.0	Washer 5-100HV-A3E ISO 7094	1.000	ST



200 Key switch (6.630-106.0)

---

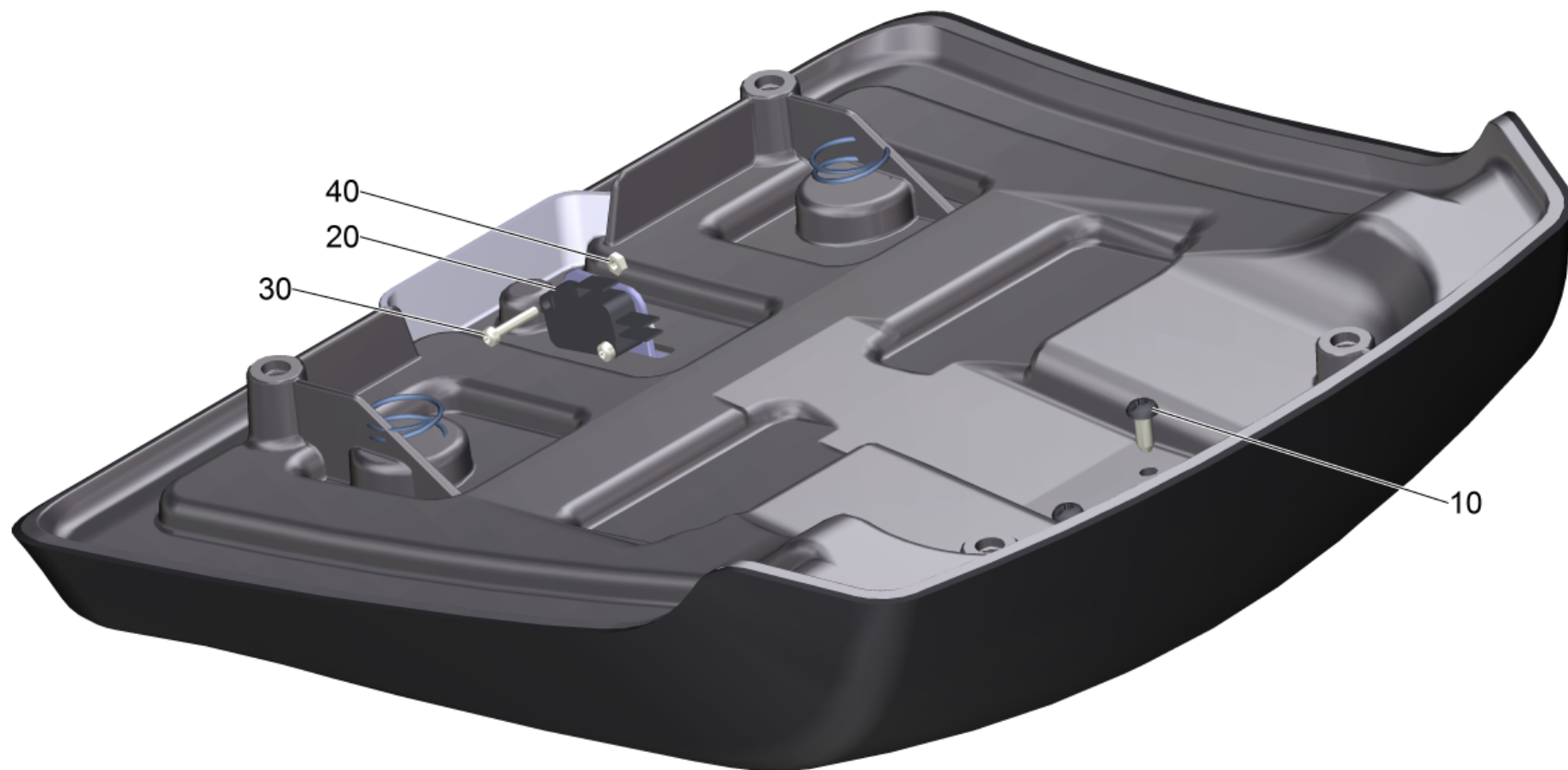
<b>POS</b>	<b>Article no.</b>	<b>Description</b>	<b>Quantity</b>	<b>Unit</b>
9000	6.600-210.0	Key only for replacement	1.000	ST





## 20 Waste water tank complete

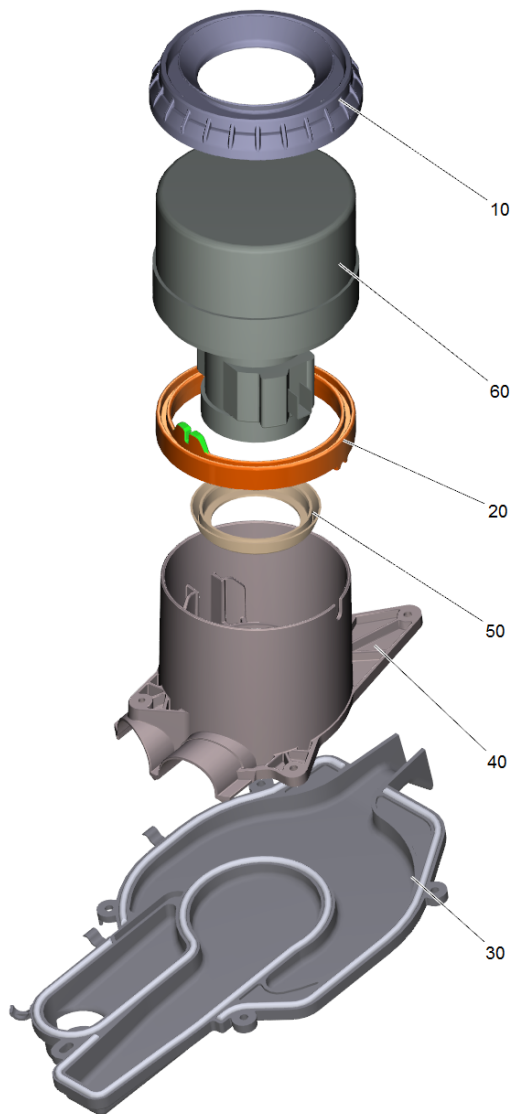
POS	Article no.	Description	Quantity	Unit	Foot note text
200	4.823-030.0	Cable harness waste water B70R	1.000	ST	
210	6.649-038.0	Cable tie 2,5x100	1.000	ST	
20	5.039-095.3	Cover waste water B70R	1.000	ST	
80	4.039-251.3	Drain hose complete B70R	1.000	ST	
110		Float complete	1.000	ST	
60	6.388-713.0	Hose clip	1.000	ST	
190	5.396-373.0	Label logo Professional XL 200x84.8	2.000	ST	
150	7.303-108.0	Screw 5x20 -10.9-R2R (In6Rd)	10.000	ST	
90	7.303-110.0	Screw 5x35 -10.9-R2R (In6Rd)	4.000	ST	
100	6.303-315.0	Screw 8 x 35	4.000	ST	
170	6.366-058.0	Sealing profile	1.000	M	TO ORDER AS CUT GOODS
30	4.039-264.3	Seat complete B70R	1.000	ST	
130	9.763-055.0	Strap suction bar	1.000	ST	
140	6.392-936.0	Suction hose oil resistant B40/60	1.000	ST	
70	5.035-610.0	Swivel arm tank	1.000	ST	
50	5.035-995.0	Tank bulk waste	1.000	ST	
40		Vacuum motor enclosure complete	1.000	ST	
120	7.312-278.0	Washer 5-200HV-A2E ISO7093-1	5.000	ST	
180	7.312-277.0	Washer 8-200HV-A2E ISO7093-1	1.000	ST	
10	4.039-278.0	Waste water tank B70R	1.000	ST	



30 Seat complete B70R (4.039-264.3)

---

<b>POS</b>	<b>Article no.</b>	<b>Description</b>	<b>Quantity</b>	<b>Unit</b>
30	7.306-406.0	Cylinder head screw M3x16-4.8-A2E ISO 1	2.000	ST
40	7.311-000.0	Hexagon nut M3 -8-A2E ISO 4032	2.000	ST
20	6.631-854.0	Micro switch	1.000	ST
10	7.303-097.0	Screw 5x12 -10.9-R2R (K-In6Rd)	2.000	ST



#### 40 Vacuum motor enclosure complete

---

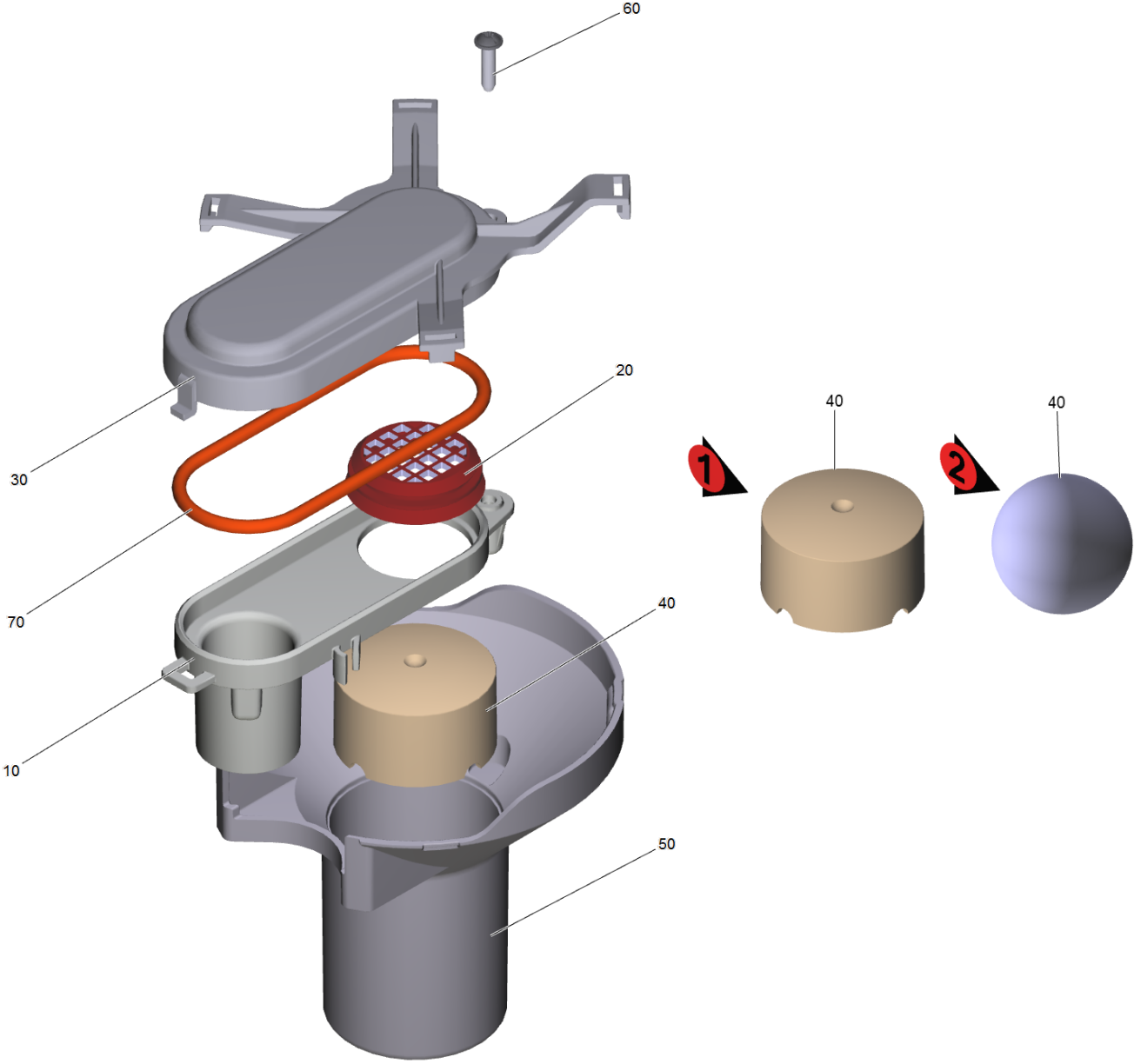
<b>POS</b>	<b>Article no.</b>	<b>Description</b>	<b>Quantity</b>	<b>Unit</b>
30	5.039-171.0	Air circulation above foamed	1.000	ST
40	5.034-032.0	Air circulation turbine bottom	1.000	ST
10	5.035-333.0	Bearing vacuum motor	1.000	ST
20	5.035-332.0	Joint ring turbine	1.000	ST
50	5.363-395.0	Seal	1.000	ST
60	4.035-006.0	Vacuum motor replacement	1.000	ST

60 Vacuum motor replacement (4.035-006.0)

---

<b>POS</b>	<b>Article no.</b>	<b>Description</b>	<b>Quantity</b>	<b>Unit</b>
10	6.490-008.0	Carbon brush set	1.000	ST

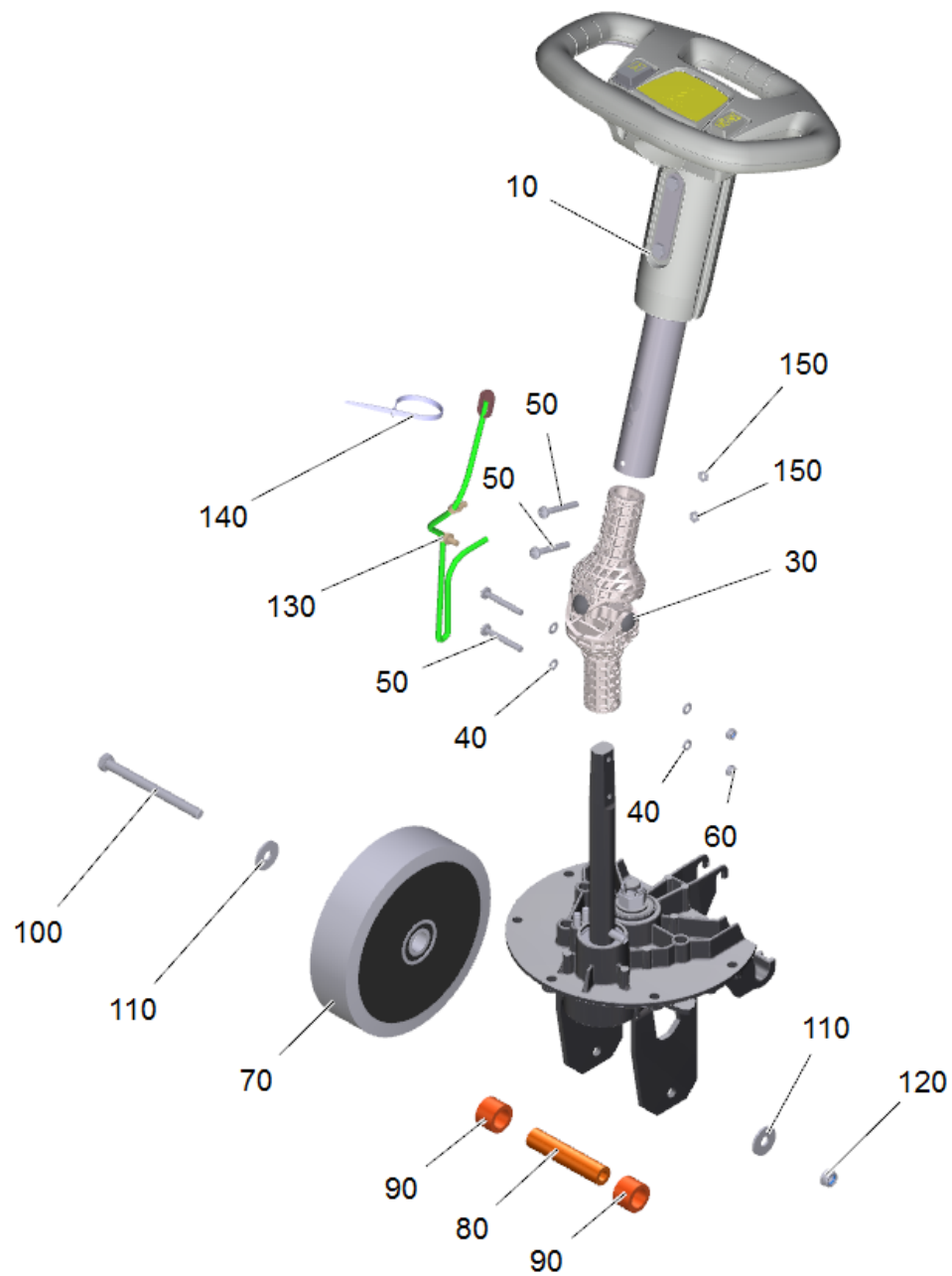
---



## 110 Float complete

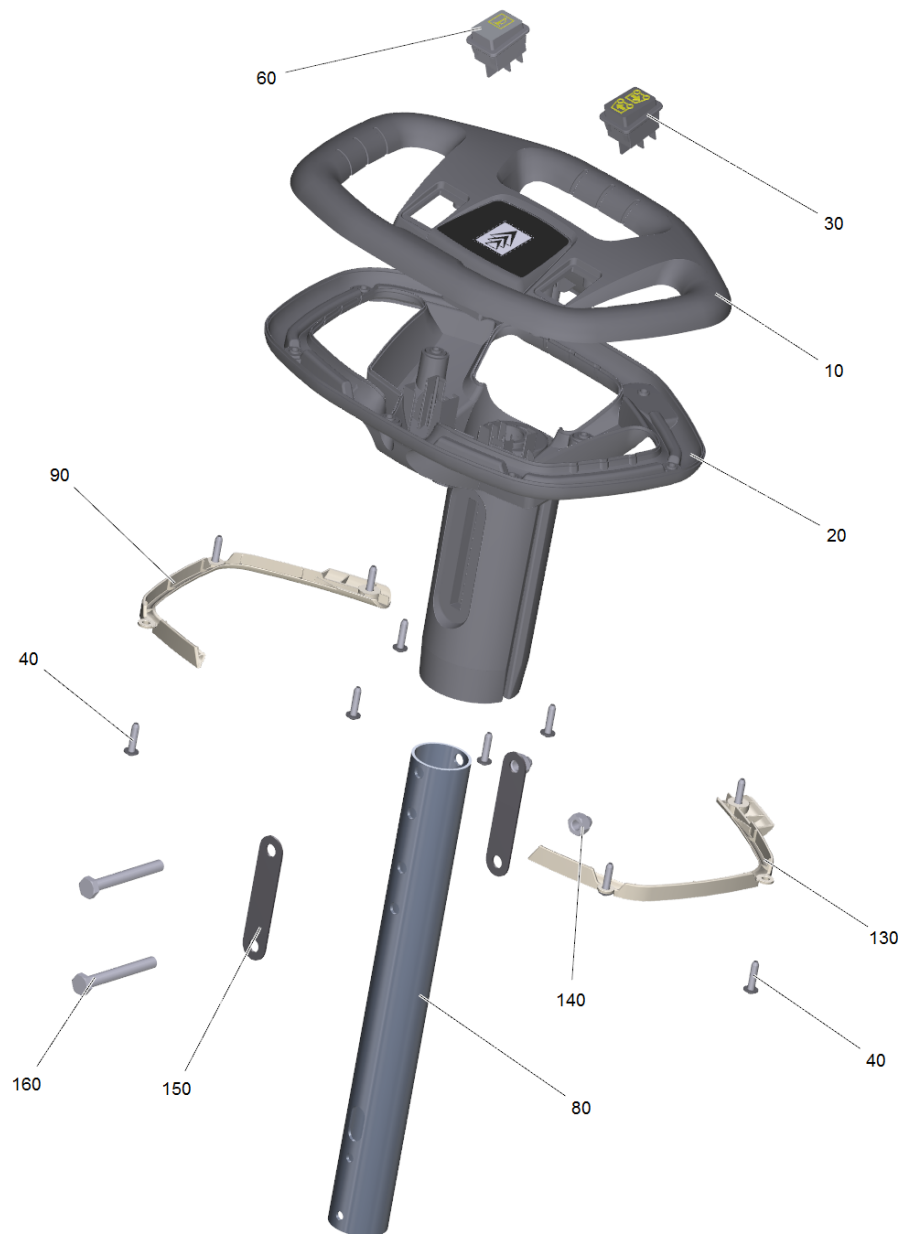
POS	Article no.	Description	Quantity	Unit	Foot note text
40	9.763-034.0	Cone float regulator	1.000	ST	VERSION 1
30	9.763-005.0	Cover float regulator	1.000	ST	
50	9.763-047.0	Float cage	1.000	ST	
40	9.763-333.0	Floater ball	1.000	ST	VERSION 2
10	9.763-003.0	Float regulator bottom part	1.000	ST	
20	5.039-152.0	Joint ring fluffing strainer	1.000	ST	
60	7.303-108.0	Screw 5x20 -10.9-R2R (In6Rd)	1.000	ST	
70	9.763-044.0	Seal string cellular rubber float regula	1.000	ST	





## 30 Steering complete

POS	Article no.	Description	Quantity	Unit
130	6.683-578.0	Cable steering wheel B70R	1.000	ST
140	6.641-464.0	Cable tie	1.000	ST
100	7.304-123.0	Hexagonal head screw M10x120-8.8-A2K IS	1.000	ST
60	7.311-425.0	Hexagon nut M6 -04-A2E DIN 985	2.000	ST
150	7.311-200.0	Hexagon nut M6 -04-A2E ISO 4035	2.000	ST
120	7.311-423.0	Hexagon nut M10 -04-A2E DIN 985	1.000	ST
30	4.039-241.3	Hooke's joint	1.000	ST
50	7.306-131.0	Screw M6x45 -8.8-P2R (In6Rd)	4.000	ST
80	5.039-139.0	Shaft wheel	1.000	ST
90	5.039-140.0	Sleeve	2.000	ST
10		Steering above complete	1.000	ST
20		Steering complete bottom	1.000	ST
40	7.312-003.0	Washer 6 -200HV-A3E ISO 7090	4.000	ST
110	7.312-285.0	Washer 10 -200HV-A2E ISO7093-1	2.000	ST
70	6.039-026.3	Wheel D200	1.000	ST



## 10 Steering above complete

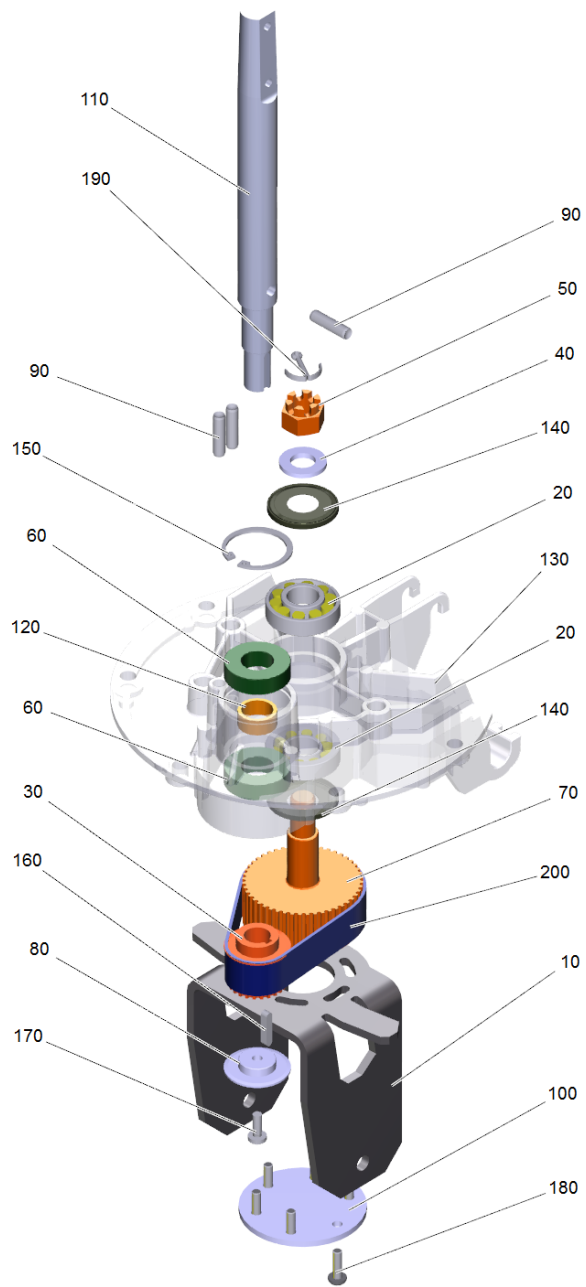
---

<b>POS</b>	<b>Article no.</b>	<b>Description</b>	<b>Quantity</b>	<b>Unit</b>
140	7.311-620.0	Cap nut M8 -A2 DIN 986	2.000	ST
160	7.304-402.0	Hexagonal head screw M8x65-8.8-A2E ISO	2.000	ST
60	6.632-475.0	Pushbutton two-pole hooter	1.000	ST
130	5.039-132.0	Screen steering wheel left	1.000	ST
90	5.039-131.0	Screen steering wheel right	1.000	ST
40	7.303-108.0	Screw 5x20 -10.9-R2R (In6Rd)	10.000	ST
150	5.039-138.0	Shim	2.000	ST
80	5.039-106.0	Steering pillar	1.000	ST
10	4.039-279.0	Steering wheel	1.000	ST
20	5.037-293.0	Steering wheel bottom part	1.000	ST
30	6.632-482.0	Switch two-pole direction of travelling	1.000	ST

10 Steering wheel (4.039-279.0)

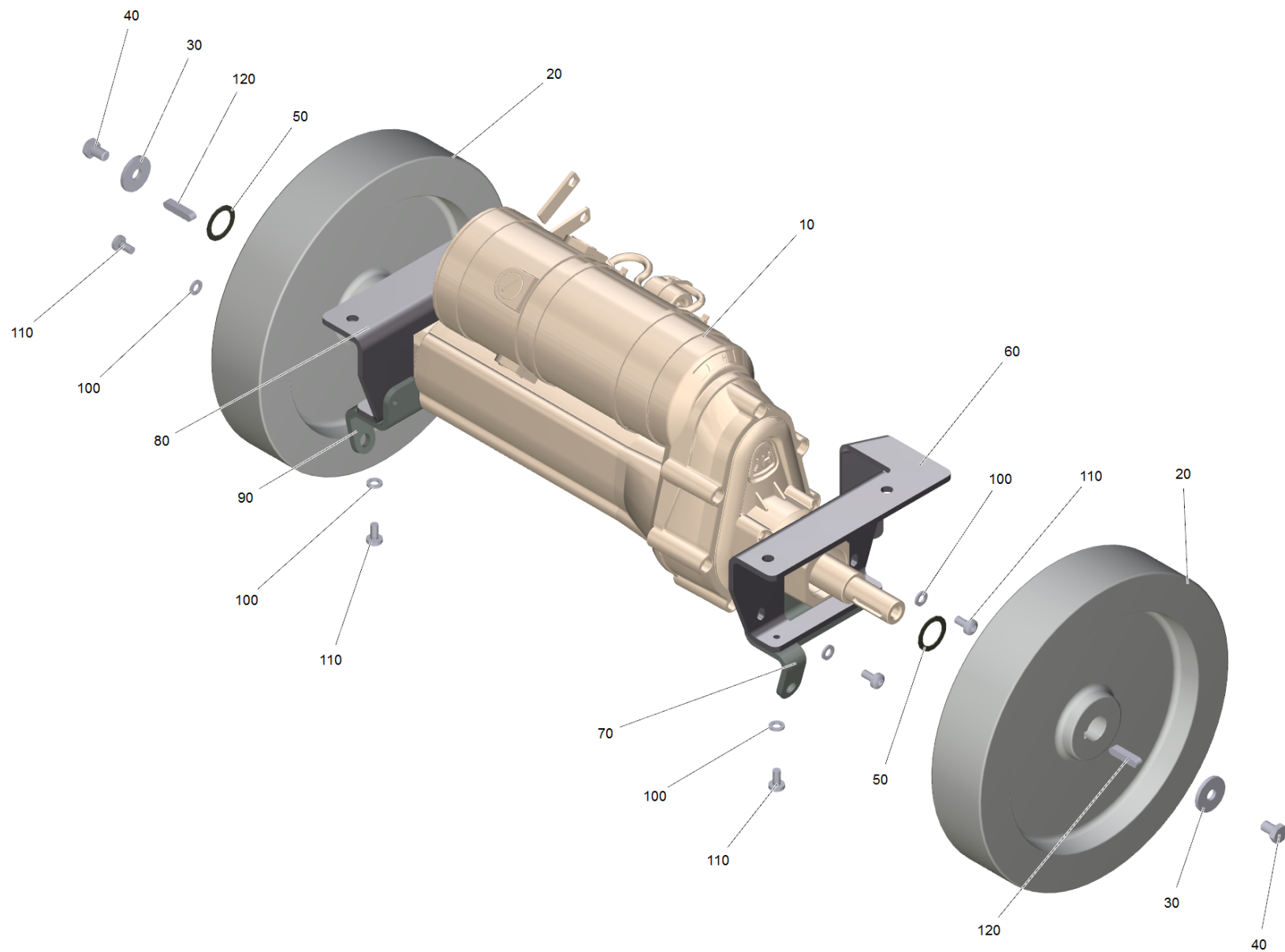
---

<b>POS</b>	<b>Article no.</b>	<b>Description</b>	<b>Quantity</b>	<b>Unit</b>
20	5.039-129.0	Foil steering wheel B70R	1.000	ST



## 20 Steering complete bottom

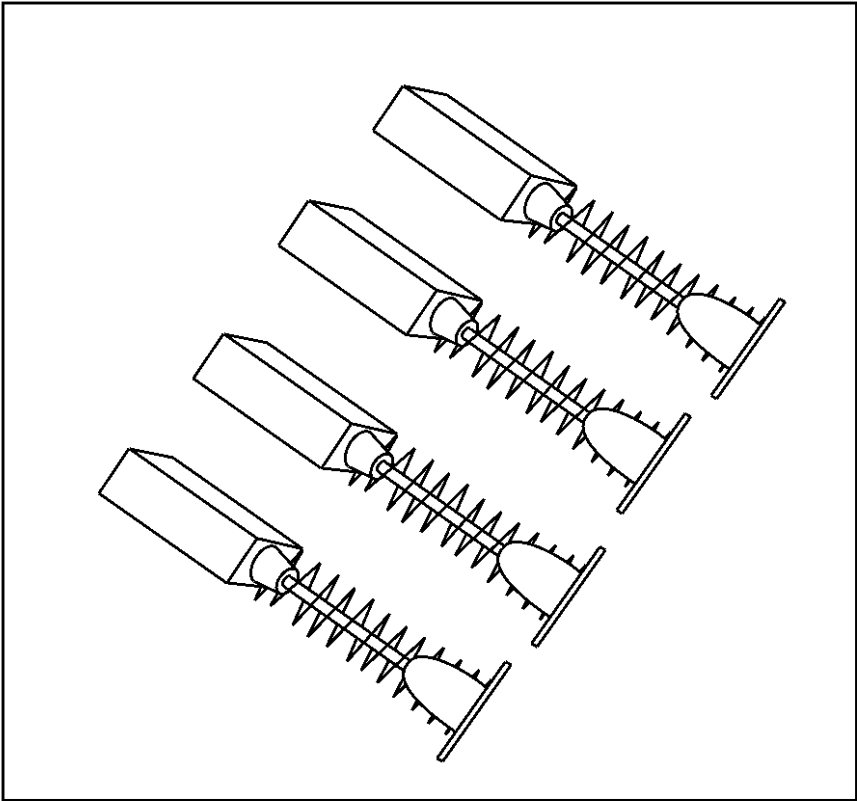
POS	Article no.	Description	Quantity	Unit
60	7.401-133.0	Ball bearing 6004-2RS -Wälzl.St DIN 625	2.000	ST
30	5.039-112.0	Belt pulley 24Z	1.000	ST
70	5.039-111.0	Bolt belt pulley 48Z	1.000	ST
50	7.311-045.0	Castle nut M16x1,5-8-A3E DIN 935	1.000	ST
190	7.316-352.0	Cotter 4x36 -St-A2E ISO 1234	1.000	ST
140	6.039-011.3	Joint ring 30204 AV	2.000	ST
150	7.343-114.0	Locking ring 42x1,75-FST-PHR DIN 472	1.000	ST
160	7.318-079.0	Parallel key A 5x5x25-C45R DIN 6885	1.000	ST
130	5.039-118.0	Retainer steering	1.000	ST
10	5.039-114.0	Retainer wheel	1.000	ST
170	7.306-090.0	Screw M6x16 -8.8-R3R (In6Rd)	1.000	ST
180	6.304-145.0	Screw M 6X20-R3R (IN6RD)	6.000	ST
110	5.039-101.0	Shaft steering	1.000	ST
120	5.039-108.0	Sleeve	1.000	ST
90	7.314-359.0	Straight pin 8x30-A -St ISO 8734	3.000	ST
20	7.401-304.0	Taper roller bearing 30204 -Wälzl.St DI	2.000	ST
200	6.039-012.3	Toothed belt 5M	1.000	ST
100	5.039-110.0	Washer	1.000	ST
40	5.039-173.0	Washer	1.000	ST
80	5.039-109.0	Washer	1.000	ST



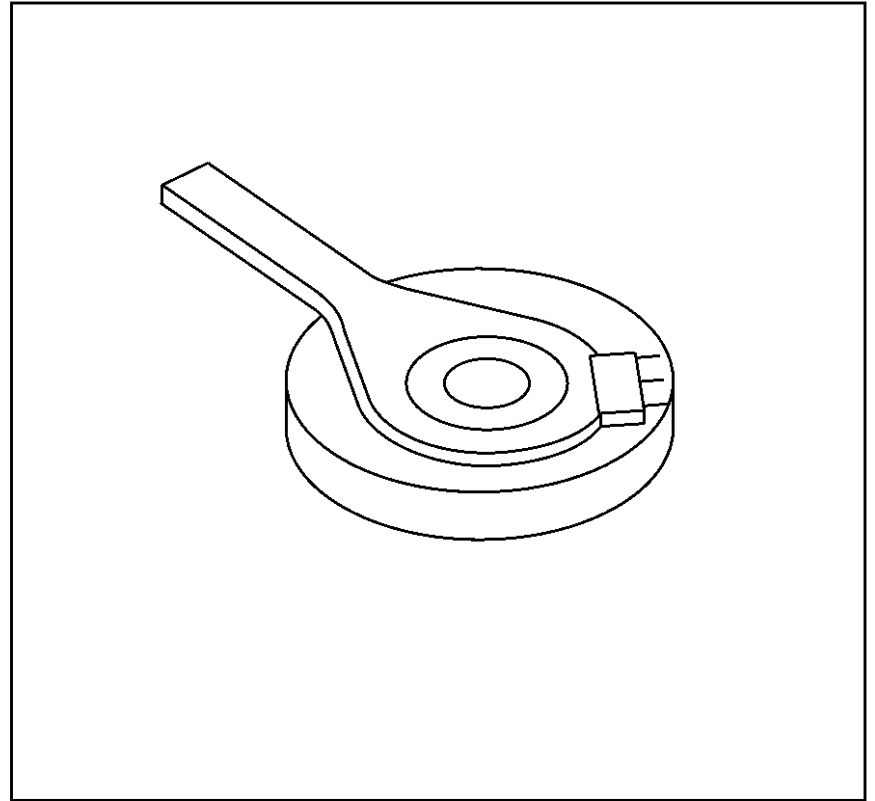


## 40 Transmission complete

POS	Article no.	Description	Quantity	Unit
70	5.039-164.0	Angle left	1.000	ST
90	5.039-166.0	Angle right	1.000	ST
10	4.039-281.0	Drive axle differential 300W	1.000	ST
60	5.039-163.0	Fixing bracket left	1.000	ST
80	5.039-165.0	Fixing bracket right	1.000	ST
40	7.304-394.0	Hexagonal head screw M8x12 -8.8-A2E ISO	2.000	ST
120	7.318-031.0	Parallel key 6x6x28 -C45R DIN 6885-1	2.000	ST
110	7.306-192.0	Screw M 6x 12-A2-70 (In6Rd)	8.000	ST
50	7.343-122.0	Shim ring 20x28x1,0 -A2 DIN 988	2.000	ST
100	7.313-018.0	Spring washer B 6-1.4310 DIN 127	8.000	ST
30	7.312-268.0	Washer 8 -A2 ISO 7094	2.000	ST
20	4.435-000.0	Wheel complete conductive Ersatz	2.000	ST



20

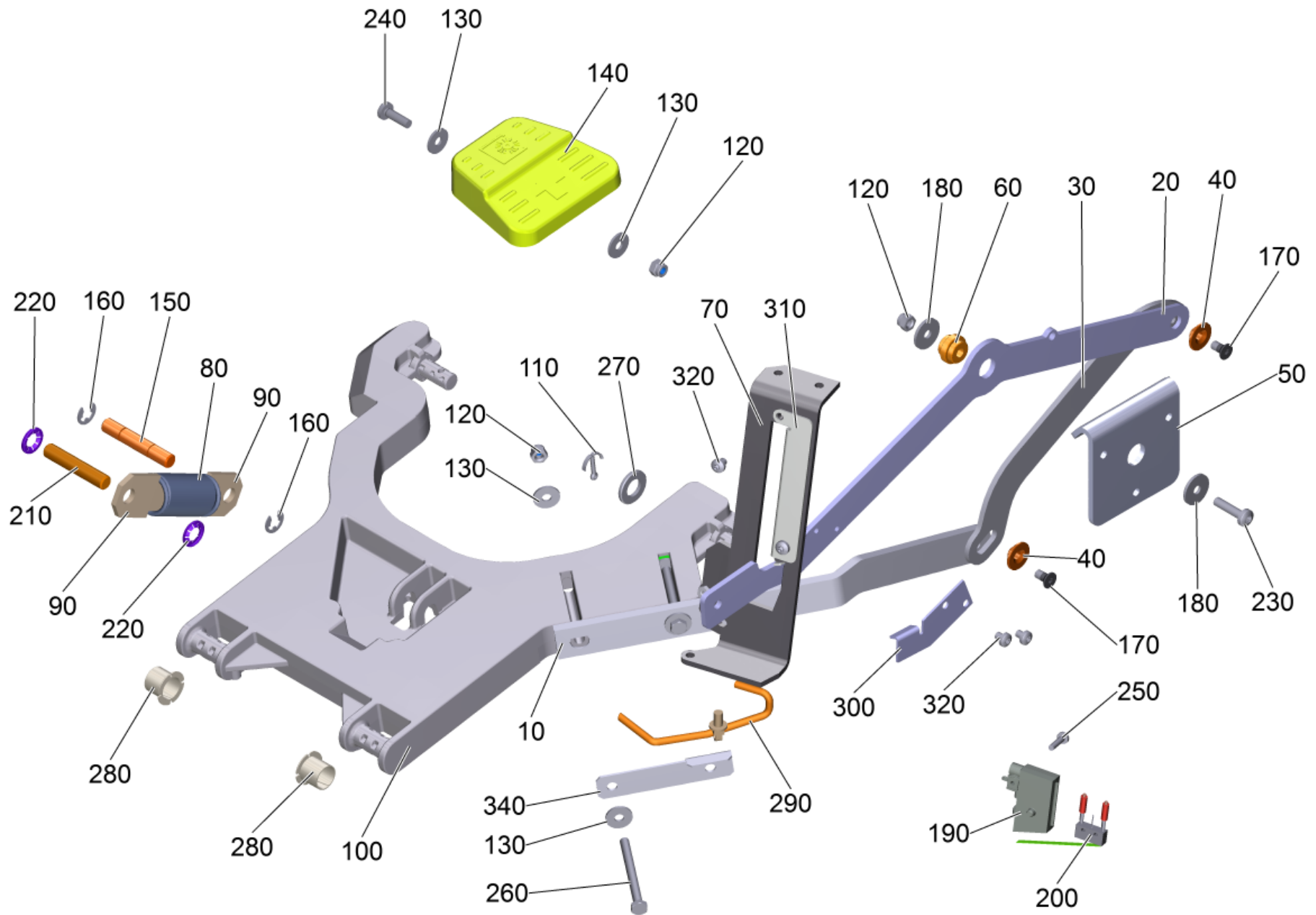


10

10 Drive axle differential 300W (4.039-281.0)

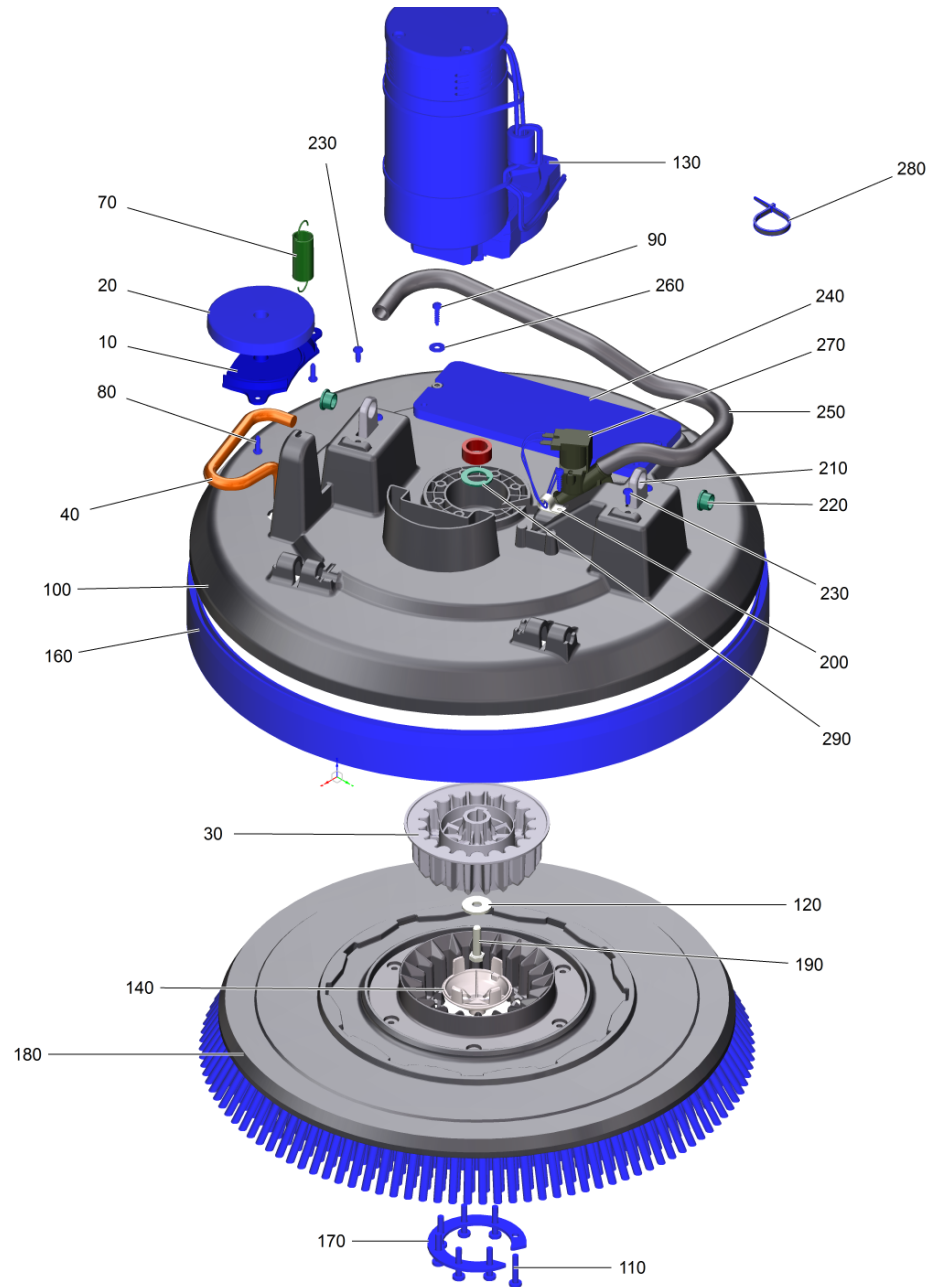
---

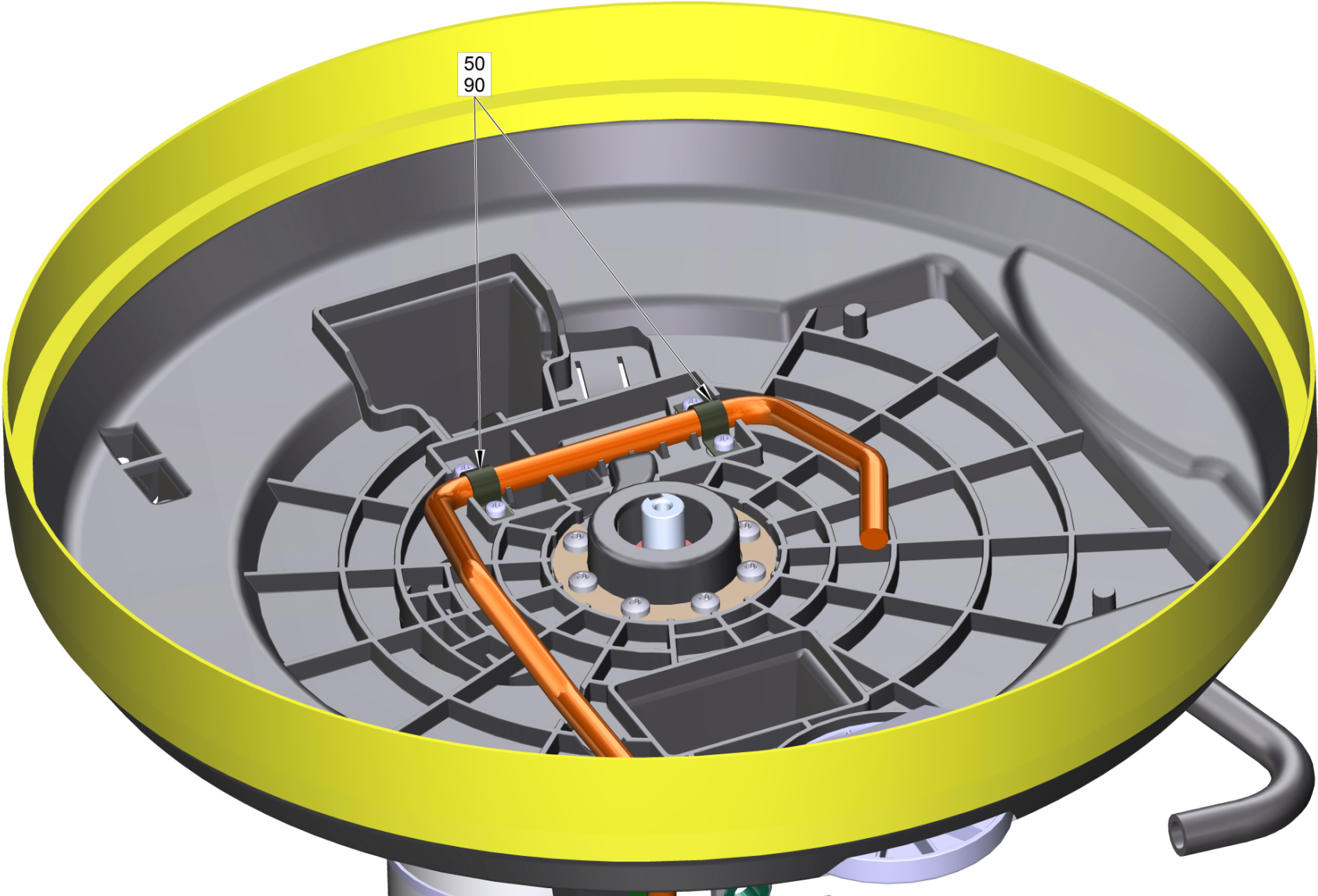
<b>POS</b>	<b>Article no.</b>	<b>Description</b>	<b>Quantity</b>	<b>Unit</b>
10	6.613-493.0	Brake for drive axle	1.000	ST
20	6.613-494.0	Carbon brush set for drive axle	1.000	ST



## 130 Lifting device brush-head kpl.

POS	Article no.	Description	Quantity	Unit
340	5.039-193.0	Angle	1.000	ST
150	5.035-606.0	Bolt	1.000	ST
210	5.317-185.0	Bolt bearing rocker SWS BR	1.000	ST
290	6.683-559.3	Cable micro switch brush-head B70 R	1.000	ST
170	7.305-052.0	Countersunk screw M6x12 -A2-70 (In6Rd)	2.000	ST
260	7.304-232.0	Hexagonal head screw M 6X 65-A4-70 ISO	2.000	ST
120	7.311-512.0	Hexagon nut M 6-8-A2E ISO 7040	4.000	ST
190	5.060-998.0	Housing micro switch	1.000	ST
100	5.039-098.0	Lever brush-head	1.000	ST
20	5.039-127.0	Lever pedal	1.000	ST
70	4.039-272.0	Locking plate complete	1.000	ST
160	7.343-303.0	Locking ring 8-A2 DIN 6799	2.000	ST
200	6.630-398.0	Micro switch	1.000	ST
140	5.039-130.3	Pedal brush-head	1.000	ST
280	6.039-020.3	Plain bearing	2.000	ST
40	5.039-124.0	Plain bearing	2.000	ST
90	5.009-763.0	Plate holder spring	2.000	ST
50	5.039-126.0	Plate retainer	1.000	ST
80	5.332-962.0	Pressure spring	1.000	ST
220	6.343-253.0	Quick-fastener D 10	2.000	ST
250	7.306-059.0	Screw M4x16 -8.8-R2R (In6Rd)	1.000	ST
320	7.306-213.0	Screw M5x6 -A2-70 (In6Rd)	4.000	ST
240	7.306-092.0	Screw M6x20-ST- 8.8-R3R (IN6RD)	1.000	ST
230	7.306-094.0	Screw M6x25 -8.8-R3R (In6Rd)	1.000	ST
310	5.039-184.0	Sheet metal component	1.000	ST
300	5.039-183.0	Sheet metal component	1.000	ST
60	5.039-128.0	Sleeve retainer	1.000	ST
110	7.316-454.0	Spring clip 2,5-DR-vz DIN11024	1.000	ST
30	5.039-100.0	Strap connection	1.000	ST
10	5.039-099.0	Strap lever	1.000	ST
180	7.312-260.0	Washer 6 -100HV-A3E ISO 7094	2.000	ST
130	7.312-276.0	Washer 6 -200HV-A2E ISO7093-1	6.000	ST
270	7.312-040.0	Washer 12-CuZn ISO 7090	2.000	ST





## 140 Brush-head complete B70R

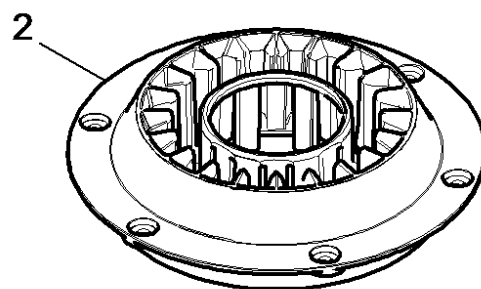
POS	Article no.	Description	Quantity	Unit	Foot note text
220	6.039-017.0	Bearing bush	2.000	ST	
280	6.641-474.0	Cable tape 8-210	2.000	ST	
100	5.039-122.3	Covering cap brush-head	1.000	ST	
20	5.035-499.0	Deflector roll	1.000	ST	
180	4.905-026.0	Disc brush complete red D51	1.000	ST	
70	6.330-093.0	Extension spring	1.000	ST	
10	5.035-498.0	Fixing deflector roll	1.000	ST	
130	4.039-282.0	Gear motor spur gear Hengye 24V	1.000	ST	TO BE ORDERED TOGETHER WITH POS. 290
140	5.037-490.0	Guide water D-Kopf	1.000	ST	
190	6.304-041.0	Hexagonal head screw M8x20-A4-70 ISO 401	1.000	ST	
60	6.388-559.0	Hose clip	1.000	ST	
200	6.373-877.0	Hose clip	1.000	ST	
110	7.306-379.0	Pan head screw M6x30 -A2 ISO 14583*	7.000	ST	
50	6.373-689.0	Pipe clamp	2.000	ST	
30	5.122-014.0	Retainer transmission	1.000	ST	
40	4.039-280.0	Retaining bracket discharge BD	1.000	ST	
80	7.303-104.0	Screw 5x16 -A2-70 (IN6RD)	2.000	ST	
90	7.303-212.0	Screw 5x20 -A2-70 (In6Rd)	7.000	ST	
230	7.303-038.0	Screw M5x12 -St-P2R (In6Rd)	4.000	ST	
270	6.472-007.3	Solenoid valve 24 V	1.000	ST	
250	6.390-892.0	Spiral hose NW12	1.000	M	TO ORDER AS CUT GOODS
160	5.039-141.3	Splash-proof profile brush-head	1.000	ST	
210	5.039-155.0	Suspension brush-head	2.000	ST	
170	5.039-179.0	Threaded plate	1.000	ST	
290	5.039-190.0	Washer	1.000	ST	
260	7.312-282.0	Washer 5 -A2 ISO 7093-1	2.000	ST	
120	7.312-268.0	Washer 8 -A2 ISO 7094	1.000	ST	
240	5.039-157.0	Weight	1.000	ST	



130 Gear motor spur gear Hengye 24V (4.039-282.0)

---

POS	Article no.	Description	Quantity	Unit
1	9.755-590.0	Carbon brush set Hengye 24V	1.000	ST

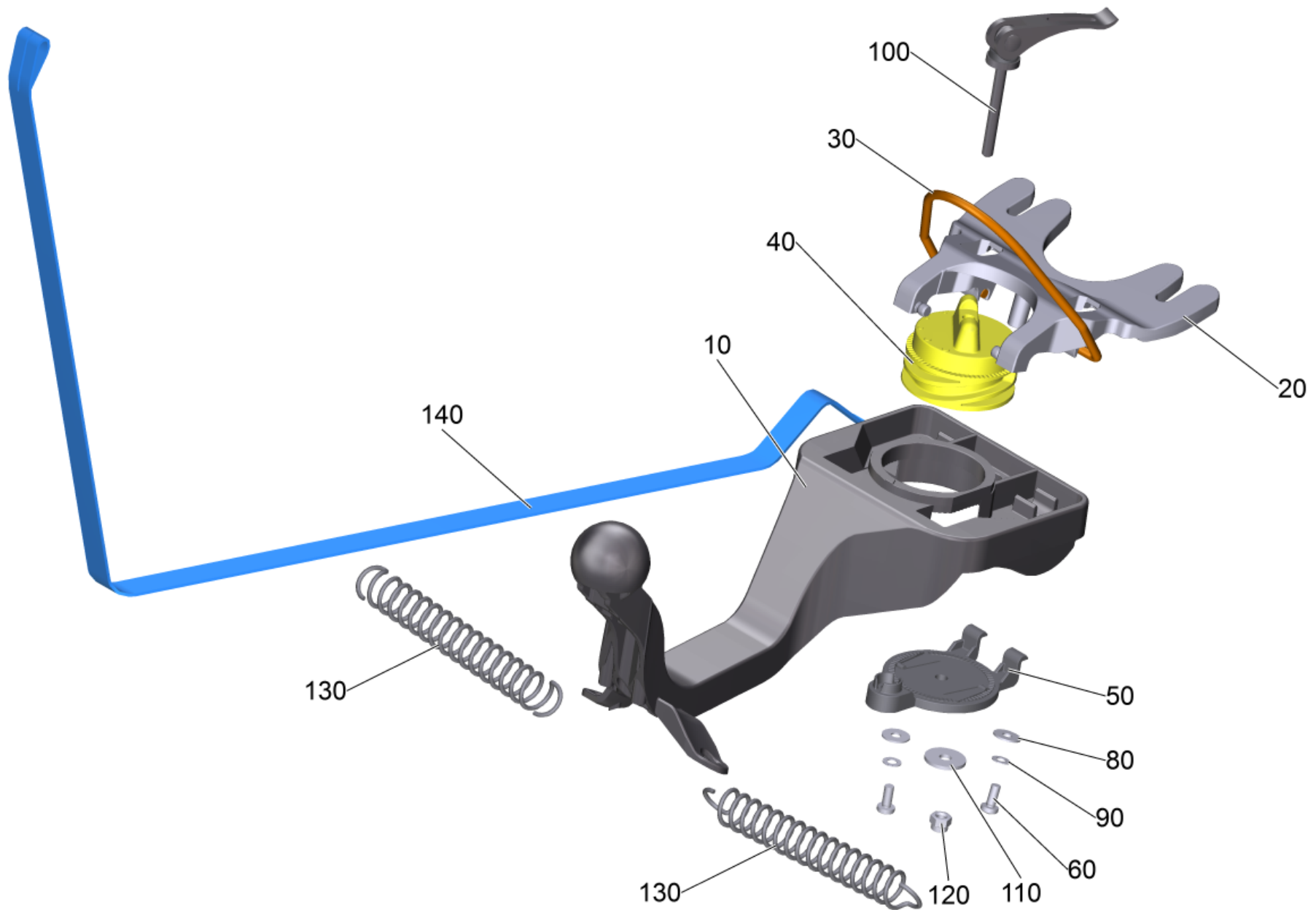


180 Disc brush complete red D51 (4.905-026.0)

---

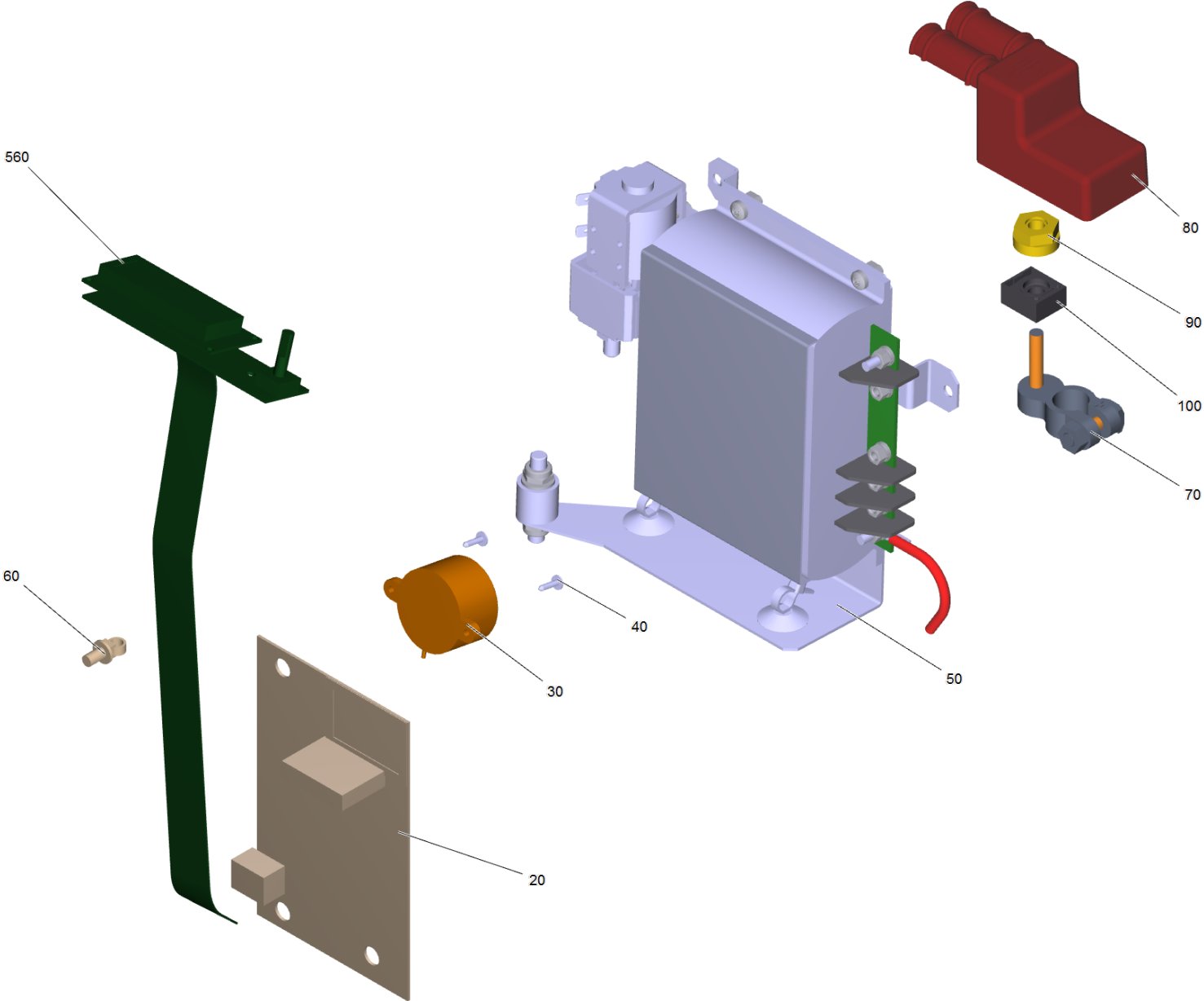
<b>POS</b>	<b>Article no.</b>	<b>Description</b>	<b>Quantity</b>	<b>Unit</b>
2	5.033-002.0	Retainer brush SWS	1.000	ST

---



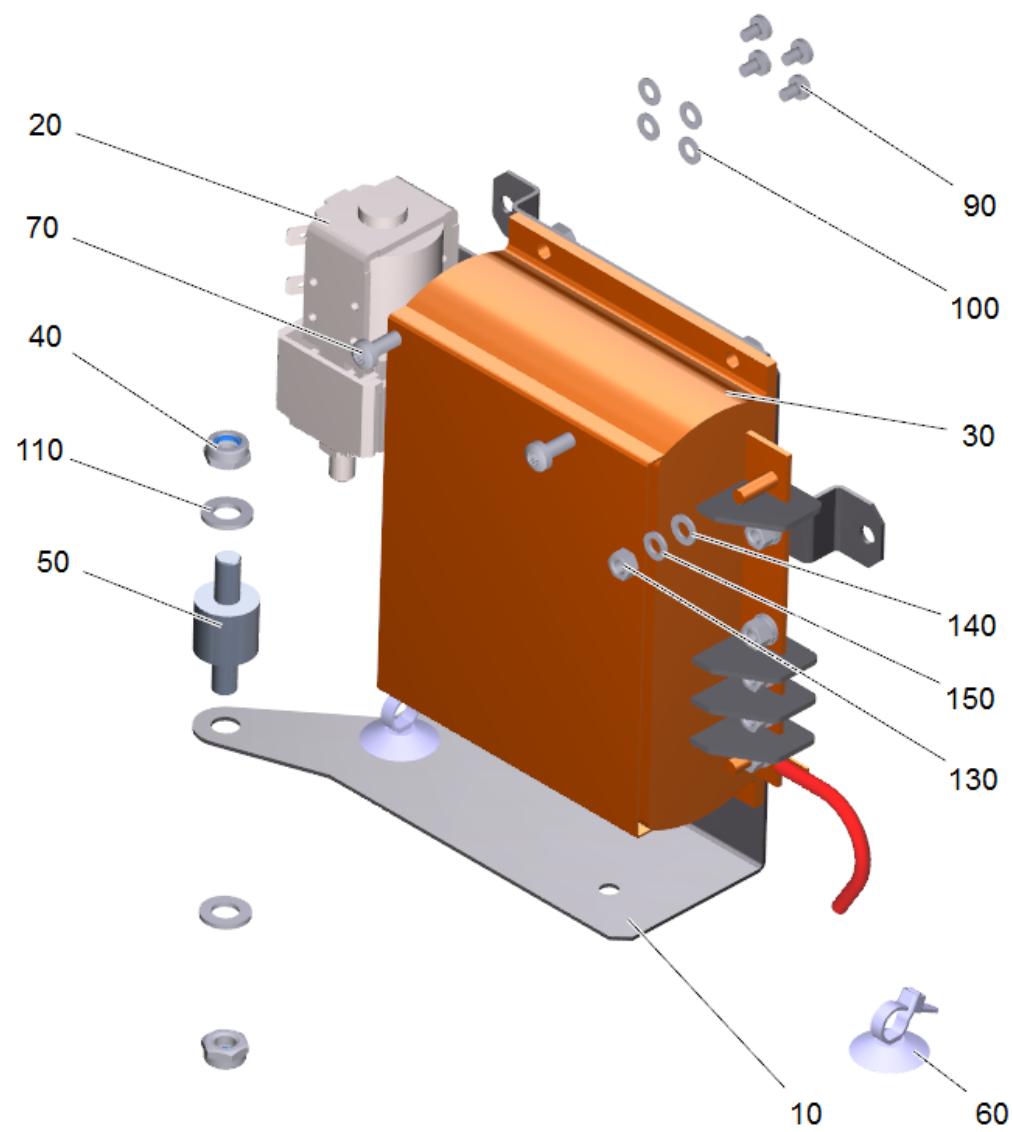
## 150 Holder suction bar complete

POS	Article no.	Description	Quantity	Unit
40	5.035-292.0	Adjusting knob suction bar toothing	1.000	ST
50	5.035-293.0	Covering cap suction bar toothing	1.000	ST
100	6.035-011.0	Eccentric lever	1.000	ST
130	6.330-409.0	Extension spring	2.000	ST
120	7.311-512.0	Hexagon nut M 6-8-A2E ISO 7040	1.000	ST
10	5.039-137.3	Holder suction bar	1.000	ST
20	5.036-103.0	Rocker suction bar	1.000	ST
60	7.306-181.0	Screw M 5x 12-A2-70 (In6Rd)	2.000	ST
90	7.312-041.0	Serrated lock washer A5,3-1.4310 DIN 67	2.000	ST
140	4.039-274.0	Suction beam retraction	1.000	ST
80	7.312-282.0	Washer 5 -A2 ISO 7093-1	2.000	ST
110	7.312-260.0	Washer 6 -100HV-A3E ISO 7094	1.000	ST
30	5.035-940.0	Wire retaining bracket suction beam retr	1.000	ST



## 160 Electronic components B70R

POS	Article no.	Description	Quantity	Unit
9000	4.035-264.0	Adapter cable SB120 - SB50	1.000	ST
70	6.644-530.0	Battery clamp	1.000	ST
30	6.630-752.0	Buzzer with bush	1.000	ST
60	6.650-605.0	Cable tie with clip	1.000	ST
20	4.683-116.0	Control panel circuit board B70R	1.000	ST
50		Control system complete B70R	1.000	ST
80	5.035-239.0	Covering cap battery terminal +	1.000	ST
560	4.683-085.0	Electronics with display	1.000	ST
100	6.644-363.0	Fuse replacement 100A	1.000	ST
90	6.644-348.0	Nut with flange	1.000	ST
40	7.303-242.0	Screw 3x10 -A2-70 (IN6RD)	2.000	ST





## 50 Control system complete B70R

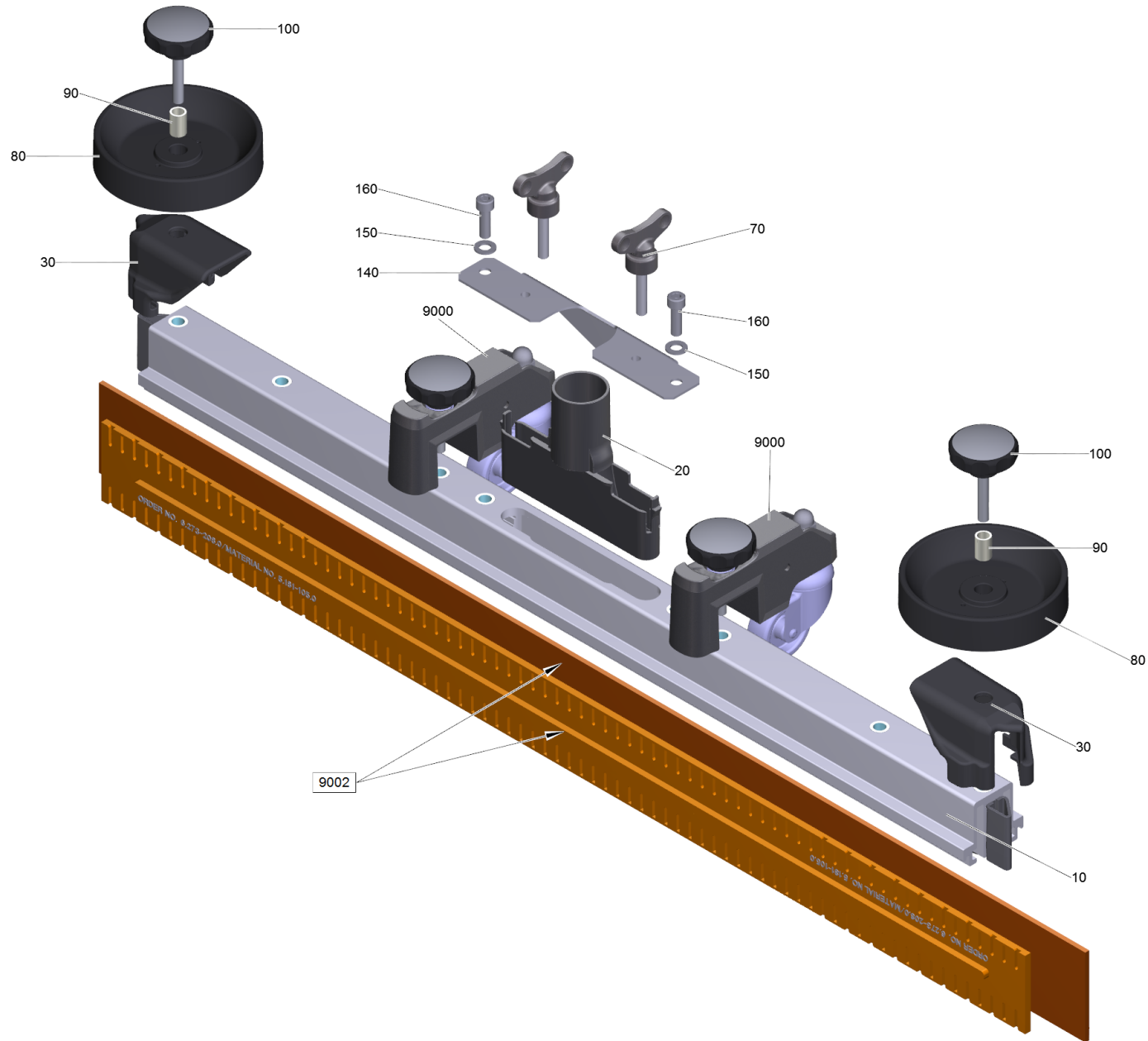
POS	Article no.	Description	Quantity	Unit
60	6.650-265.0	Cable tie with fixing	2.000	ST
30	4.683-100.3	Electronic control LT B70R	1.000	ST
130	7.311-065.0	Hexagon nut M 5-A2-70 ISO 4032	6.000	ST
40	7.311-427.0	Hexagon nut M8 -04-A2E DIN 985	2.000	ST
50	6.652-033.0	Isolator	1.000	ST
10	5.039-156.0	Plate electronics	1.000	ST
20	6.633-058.3	Relay 120A	1.000	ST
90	7.306-236.0	Screw M4x6 -8.8-R2R (In6Rd)	4.000	ST
70	7.306-058.0	Screw M 4X 12- 8.8-R2R K-IN6RD	4.000	ST
150	7.313-016.0	Spring washer B 5-1.4310 DIN 127	6.000	ST
100	7.312-001.0	Washer 4 -200HV-A3E ISO 7089	8.000	ST
140	7.312-052.0	Washer 5 -A2 ISO 7089	6.000	ST
110	7.312-017.0	Washer 8-A2 ISO 7089	2.000	ST

560 Electronics with display (4.683-085.0)

---

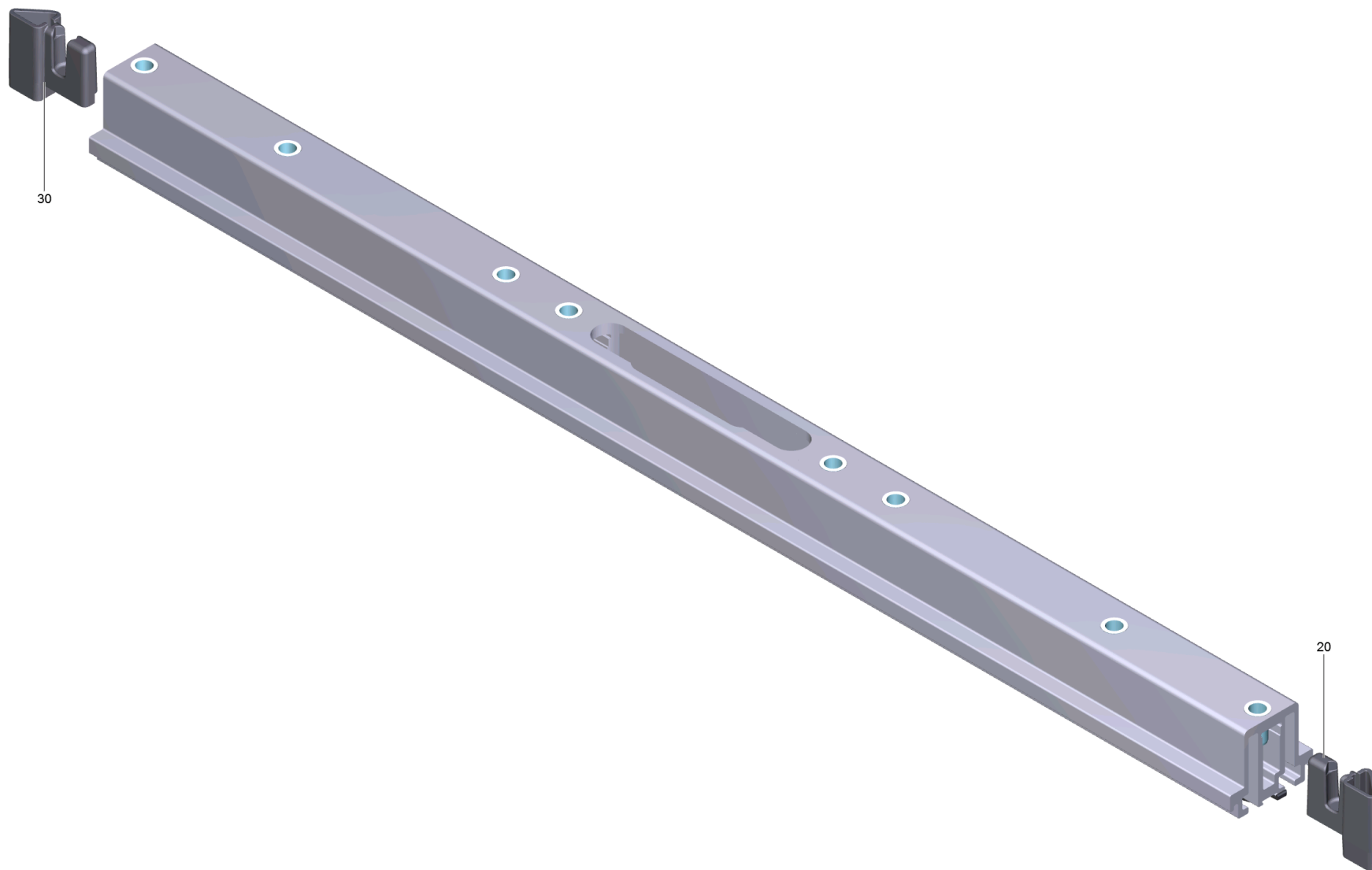
<b>POS</b>	<b>Article no.</b>	<b>Description</b>	<b>Quantity</b>	<b>Unit</b>
50	6.376-018.0	Warning sign	1.000	ST

700 Suction bar straight 850mm (4.777-401.0)



700 Suction bar straight 850mm (4.777-401.0)

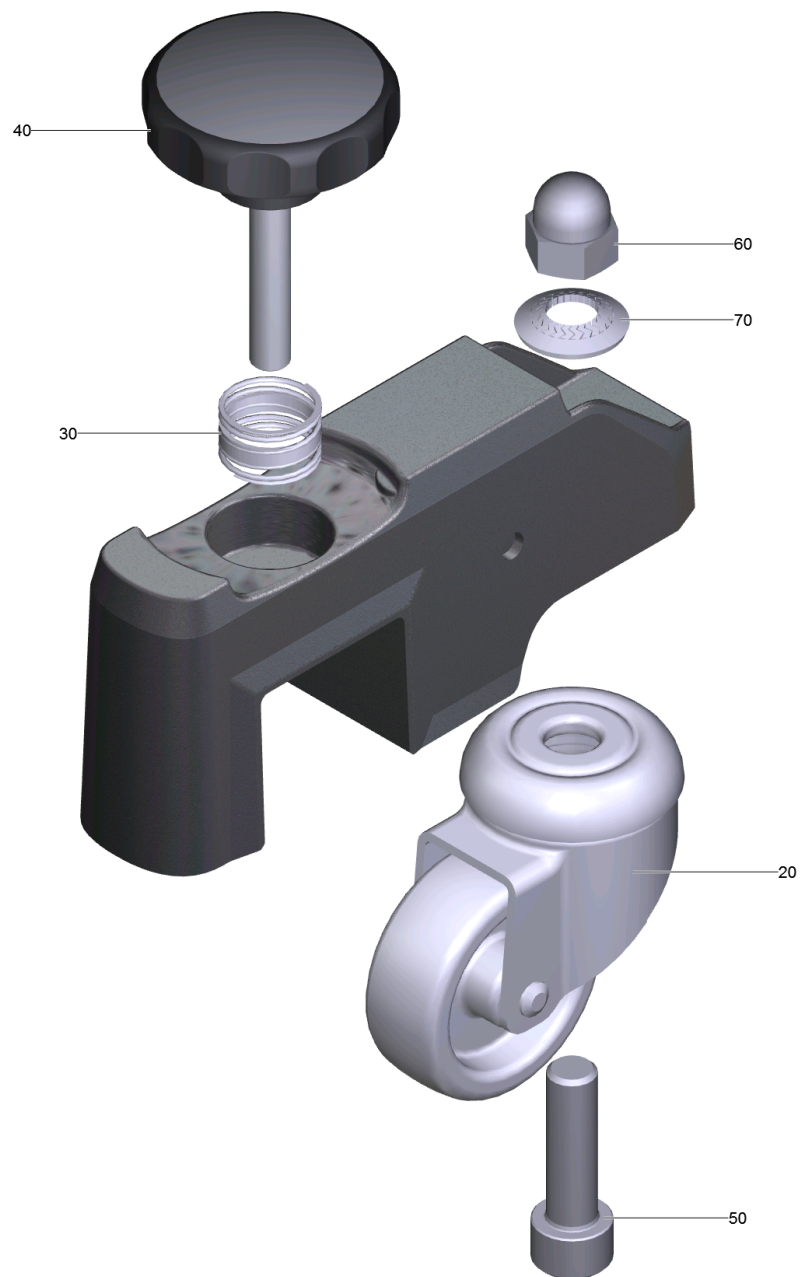
POS	Article no.	Description	Quantity	Unit	Remark	Foot note text
9002	6.273-290.0	BLADES FOR TEXTURED FLOORS	1.000	ST		
9000	4.035-281.0	Conversion kit support roller deep	2.000	ST	VERSION 3	ORDER QTY. 2
160	7.306-142.0	Cylinder head screw M 8x25-A4-70 ISO 47	2.000	ST		
80	5.515-346.0	Deflector roll suction bar D120	2.000	ST		
30	2.885-294.0	End piece left / right spare parts set	1.000	ST		
9000	4.035-339.0	Roller suction bar	2.000	ST	VERSION 1	
9002	6.273-229.0	Rubber lip set anti stripe oil resistant	1.000	ST		
9002	6.273-207.0	Rubber lip set oil resistant BR- BD530,55	1.000	ZSA		
9002	6.273-213.0	Rubber lip set standard	1.000	ZSA		STANDARD
90	5.094-231.0	Sleeve suction bar in VA	2.000	ST		
100	6.321-243.0	Star grip stainless steel D50x48	2.000	ST		
10		Suction bar pre-assembled straight 850mm	1.000	ST		
140	5.100-559.0	Suction bar support plate	1.000	ST		
20	5.033-601.0	Suction nipple	1.000	ST		
9000	4.035-171.0	Support roller complete replacement	2.000	ST	VERSION 2	
150	7.312-017.0	Washer 8-A2 ISO 7089	2.000	ST		
70	5.305-008.0	Wing screw M8x30 VA	2.000	ST		



## 10 Suction bar pre-assembled straight 850mm

---

<b>POS</b>	<b>Article no.</b>	<b>Description</b>	<b>Quantity</b>	<b>Unit</b>
20	5.033-578.0	End piece inside left	1.000	ST
30	5.033-579.0	End piece inside right	1.000	ST

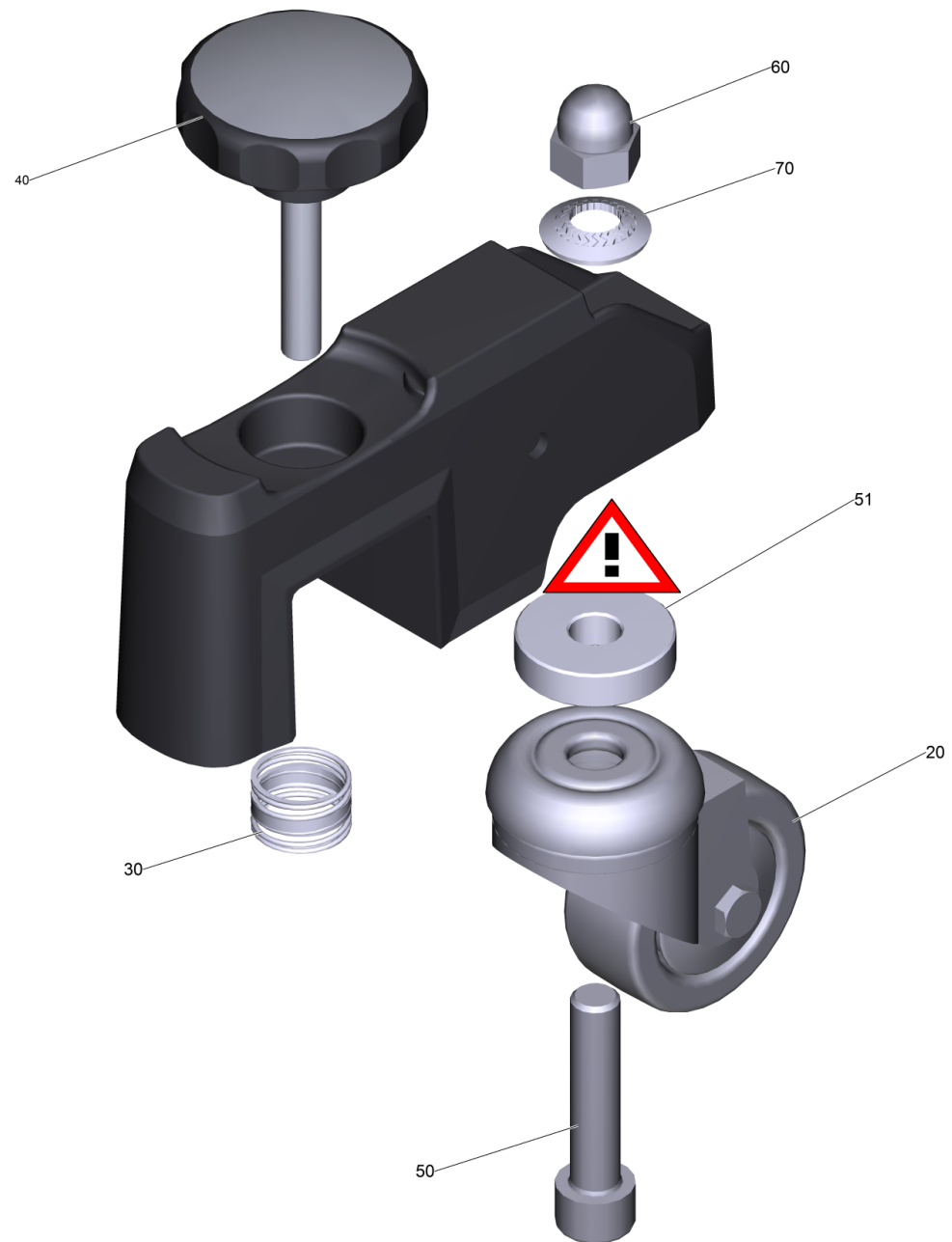


9000 Support roller complete replacement (4.035-171.0)

---

<b>POS</b>	<b>Article no.</b>	<b>Description</b>	<b>Quantity</b>	<b>Unit</b>
60	7.311-382.0	Cap nut M10-6-A3E DIN 1587	1.000	ST
20	6.435-179.0	Castor for thread deflector	1.000	ST
50	7.306-074.0	Cylinder head screw M10x35-8.8-A3E ISO4	1.000	ST
30	5.332-554.0	Pressure spring	1.000	ST
70	6.996-526.0	Serrated locking washer d.10	1.000	ST
40	6.321-240.0	Star grip with inscription VA Ø50x43	1.000	ST

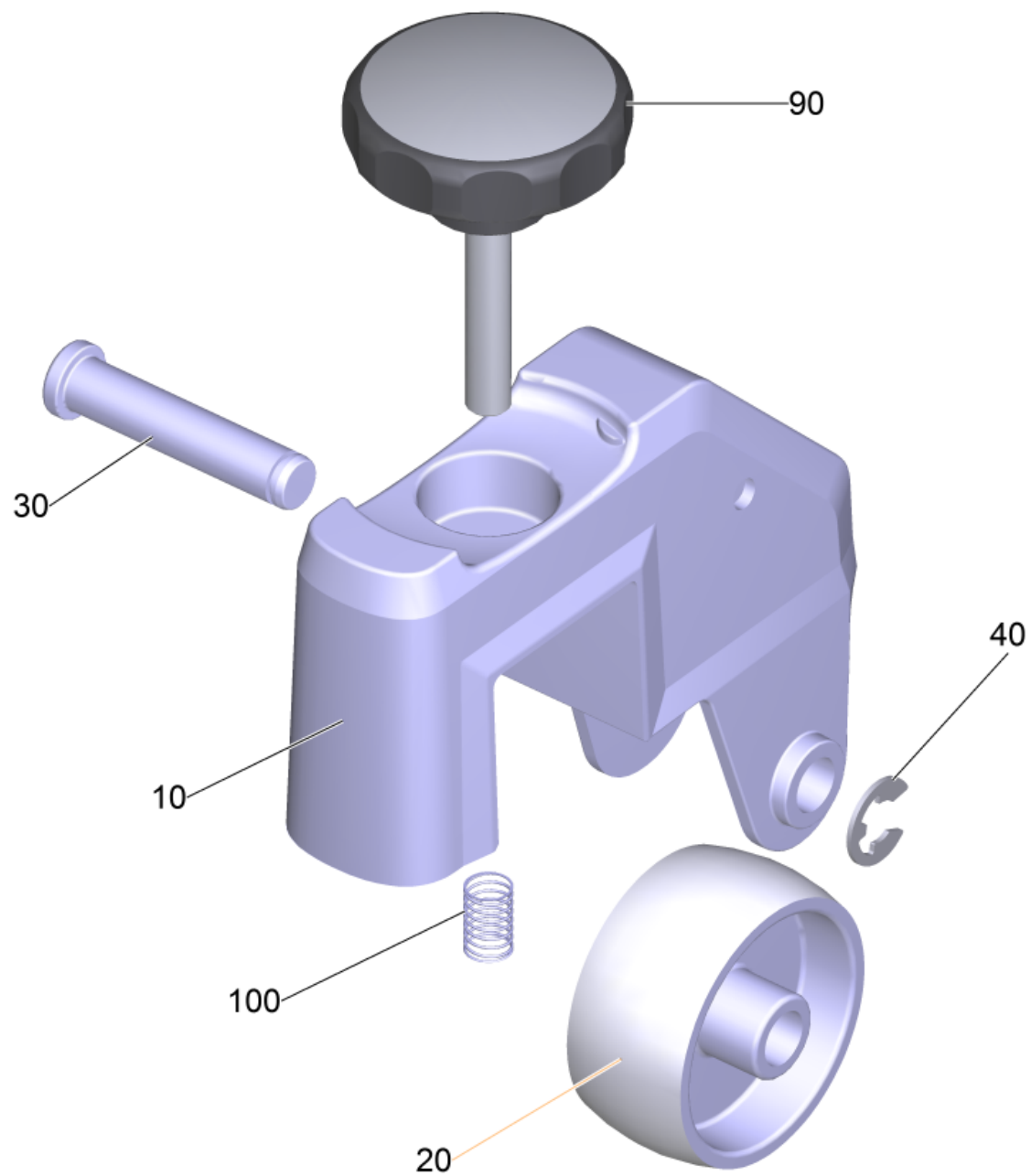




## 9000 Conversion kit support roller deep (4.035-281.0)

---

<b>POS</b>	<b>Article no.</b>	<b>Description</b>	<b>Quantity</b>	<b>Unit</b>
60	7.311-382.0	Cap nut M10-6-A3E DIN 1587	1.000	ST
20	6.435-179.0	Castor for thread deflector	1.000	ST
50	7.306-068.0	Cylinder head screw M10x45-8.8-A2K DIN	1.000	ST
30	5.332-554.0	Pressure spring	1.000	ST
70	6.996-526.0	Serrated locking washer d.10	1.000	ST
51	5.112-025.0	Spacer sleeve	1.000	ST
40	6.321-240.0	Star grip with inscription VA Ø50x43	1.000	ST



9000 Roller suction bar (4.035-339.0)

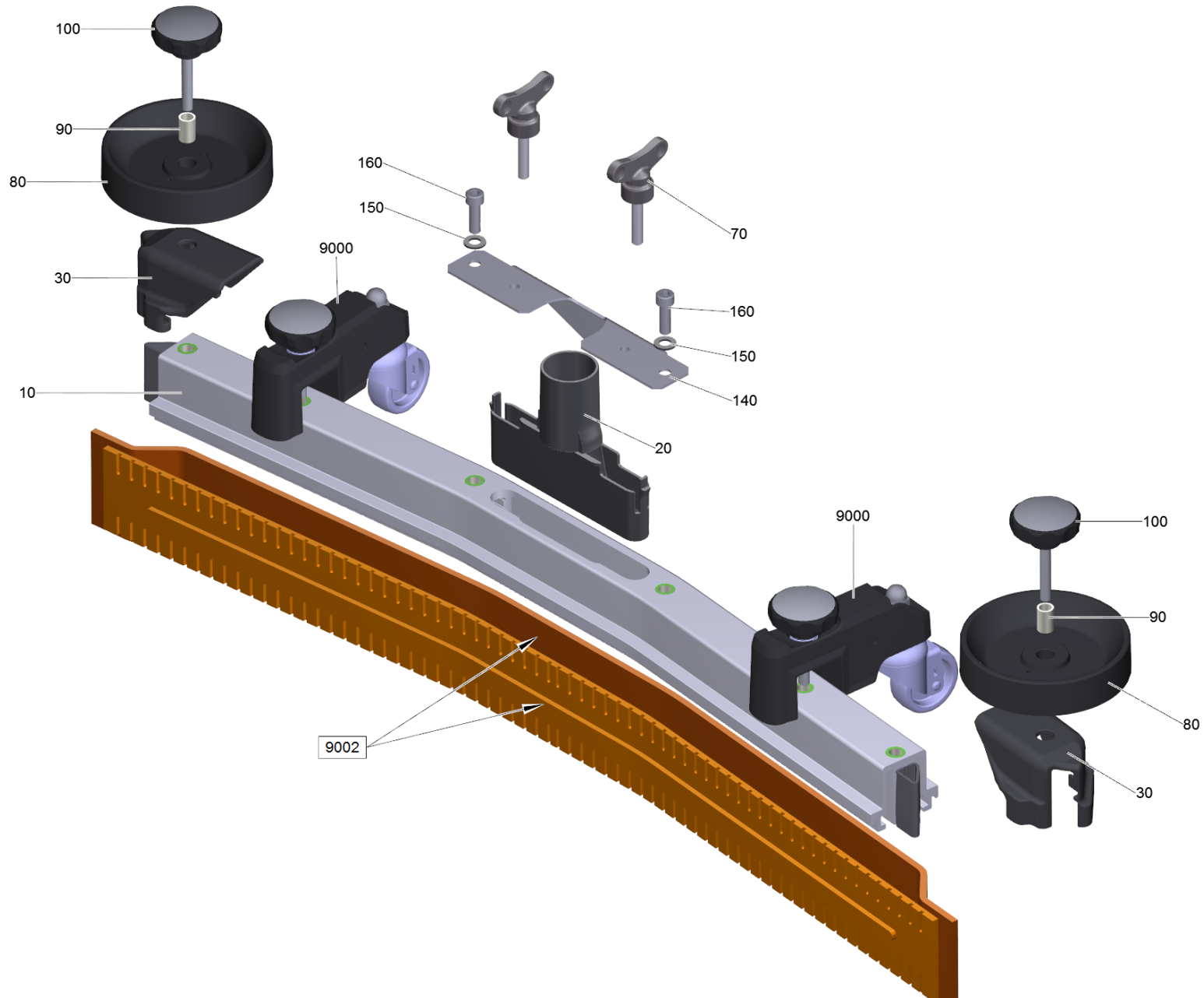
---

<b>POS</b>	<b>Article no.</b>	<b>Description</b>	<b>Quantity</b>	<b>Unit</b>
30	5.317-781.0	Bolt roller	1.000	ST
40	7.343-303.0	Locking ring 8-A2 DIN 6799	1.000	ST
100	5.332-504.0	Pressure spring	1.000	ST
10	5.101-139.0	Roller holder weight	1.000	ST
90	6.321-240.0	Star grip with inscription VA Ø50x43	1.000	ST
20	6.435-401.0	Wheel D54	1.000	ST

9002 BLADES FOR TEXTURED FLOORS (6.273-290.0)

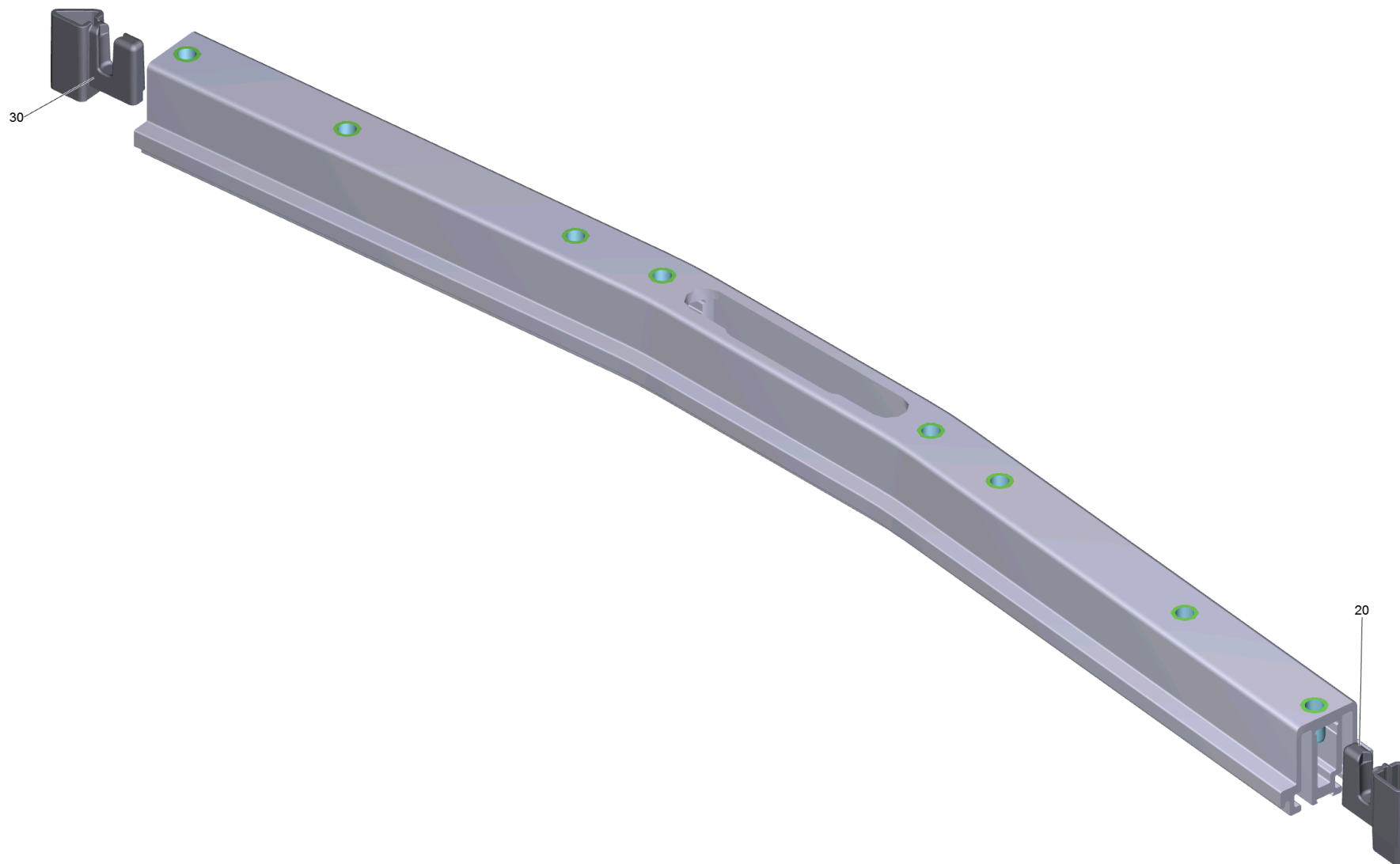
---

<b>POS</b>	<b>Article no.</b>	<b>Description</b>	<b>Quantity</b>	<b>Unit</b>
20	6.273-229.0	Rubber lip set anti stripe oil resistant	1.000	ST



## 710 Suction bar curved 850mm (4.777-411.0)

POS	Article no.	Description	Quantity	Unit	Remark	Foot note text
9002	6.273-290.0	BLADES FOR TEXTURED FLOORS	1.000	ST		
9000	4.035-281.0	Conversion kit support roller deep	2.000	ST	VERSION 3	ORDER QTY. 2
160	7.306-142.0	Cylinder head screw M 8x25-A4-70 ISO 47	2.000	ST		
80	5.515-346.0	Deflector roll suction bar D120	2.000	ST		
30	2.885-294.0	End piece left / right spare parts set	1.000	ST		
9000	4.035-339.0	Roller suction bar	2.000	ST	VERSION 1	
9002	6.273-229.0	Rubber lip set anti stripe oil resistant	1.000	ST		
9002	6.273-207.0	Rubber lip set oil resistant BR- BD530,55	1.000	ZSA		
9002	6.273-213.0	Rubber lip set standard	1.000	ZSA		STANDARD
90	5.094-231.0	Sleeve suction bar in VA	2.000	ST		
100	6.321-243.0	Star grip stainless steel D50x48	2.000	ST		
10		Suction bar pre-assembled curved 850mm	1.000	ST		
140	5.100-559.0	Suction bar support plate	1.000	ST		
20	5.033-601.0	Suction nipple	1.000	ST		
9000	4.035-171.0	Support roller complete replacement	2.000	ST	VERSION 2	
150	7.312-017.0	Washer 8-A2 ISO 7089	2.000	ST		
70	5.305-008.0	Wing screw M8x30 VA	2.000	ST		

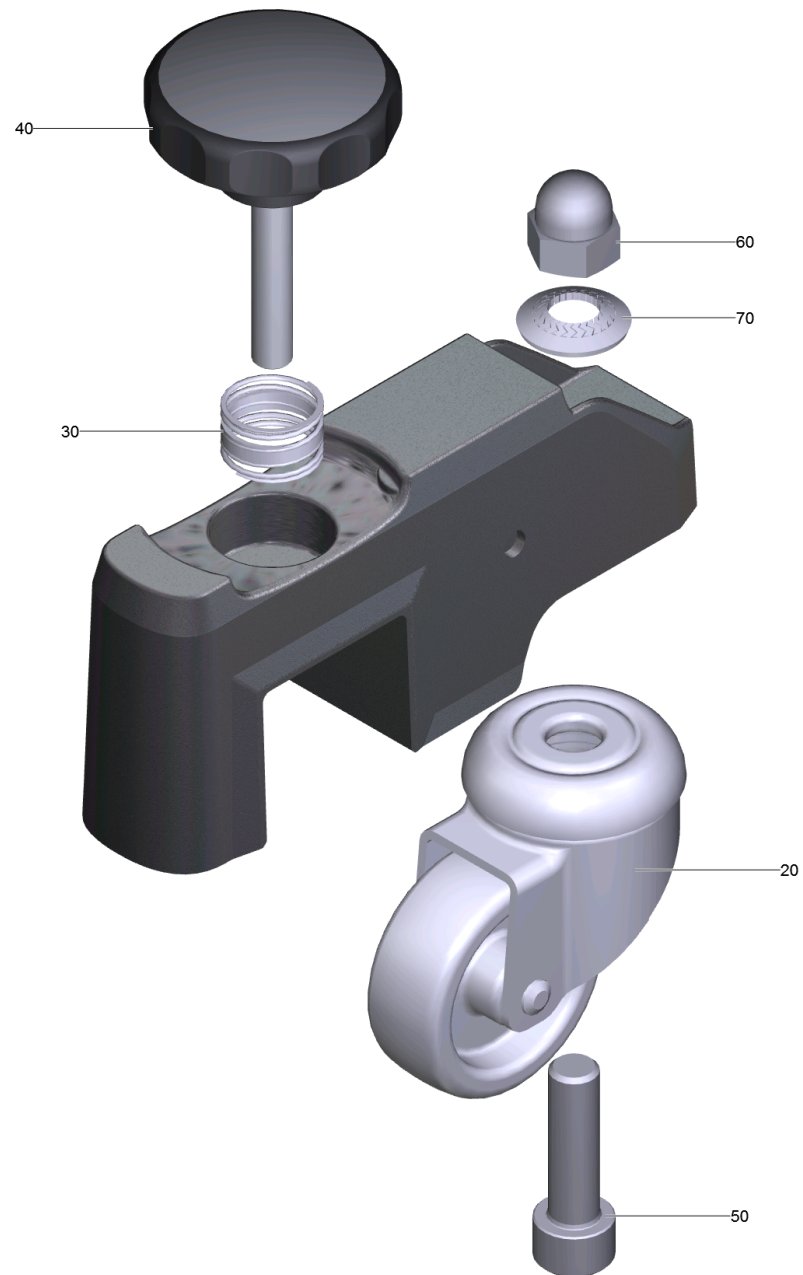




## 10 Suction bar pre-assembled curved 850mm

---

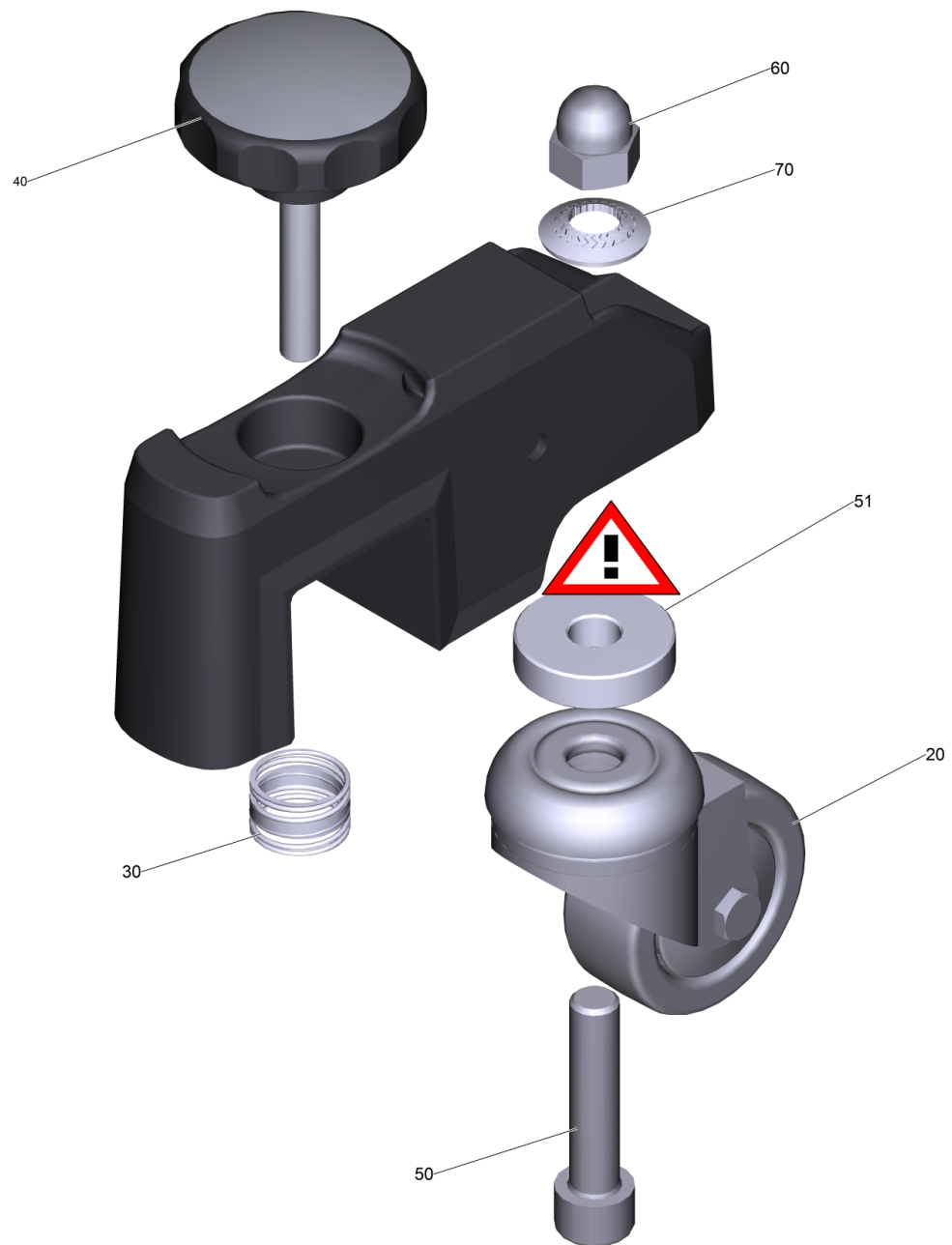
<b>POS</b>	<b>Article no.</b>	<b>Description</b>	<b>Quantity</b>	<b>Unit</b>
20	5.033-578.0	End piece inside left	1.000	ST
30	5.033-579.0	End piece inside right	1.000	ST



## 9000 Support roller complete replacement (4.035-171.0)

---

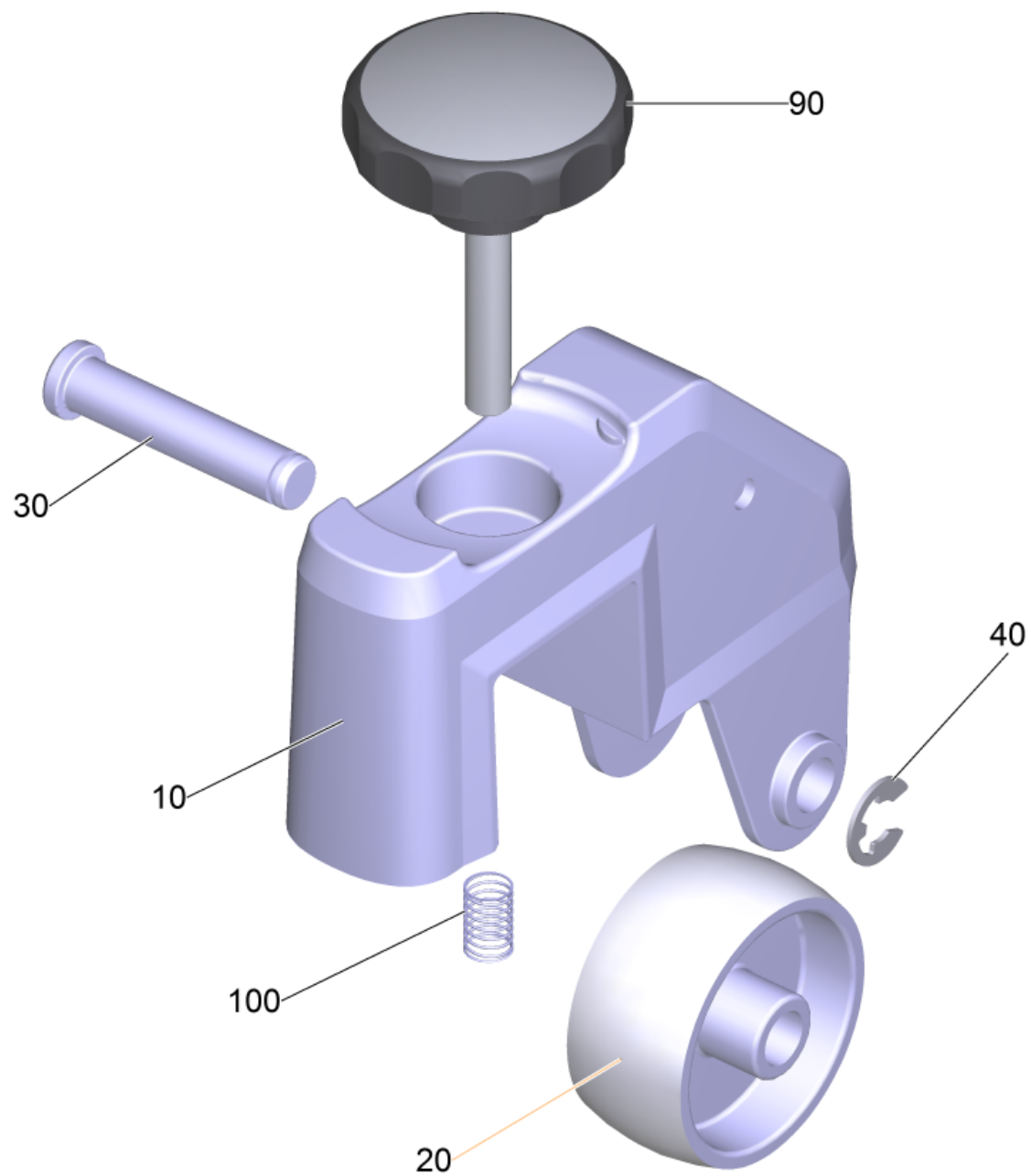
<b>POS</b>	<b>Article no.</b>	<b>Description</b>	<b>Quantity</b>	<b>Unit</b>
60	7.311-382.0	Cap nut M10-6-A3E DIN 1587	1.000	ST
20	6.435-179.0	Castor for thread deflector	1.000	ST
50	7.306-074.0	Cylinder head screw M10x35-8.8-A3E ISO4	1.000	ST
30	5.332-554.0	Pressure spring	1.000	ST
70	6.996-526.0	Serrated locking washer d.10	1.000	ST
40	6.321-240.0	Star grip with inscription VA Ø50x43	1.000	ST



## 9000 Conversion kit support roller deep (4.035-281.0)

---

<b>POS</b>	<b>Article no.</b>	<b>Description</b>	<b>Quantity</b>	<b>Unit</b>
60	7.311-382.0	Cap nut M10-6-A3E DIN 1587	1.000	ST
20	6.435-179.0	Castor for thread deflector	1.000	ST
50	7.306-068.0	Cylinder head screw M10x45-8.8-A2K DIN	1.000	ST
30	5.332-554.0	Pressure spring	1.000	ST
70	6.996-526.0	Serrated locking washer d.10	1.000	ST
51	5.112-025.0	Spacer sleeve	1.000	ST
40	6.321-240.0	Star grip with inscription VA Ø50x43	1.000	ST



9000 Roller suction bar (4.035-339.0)

---

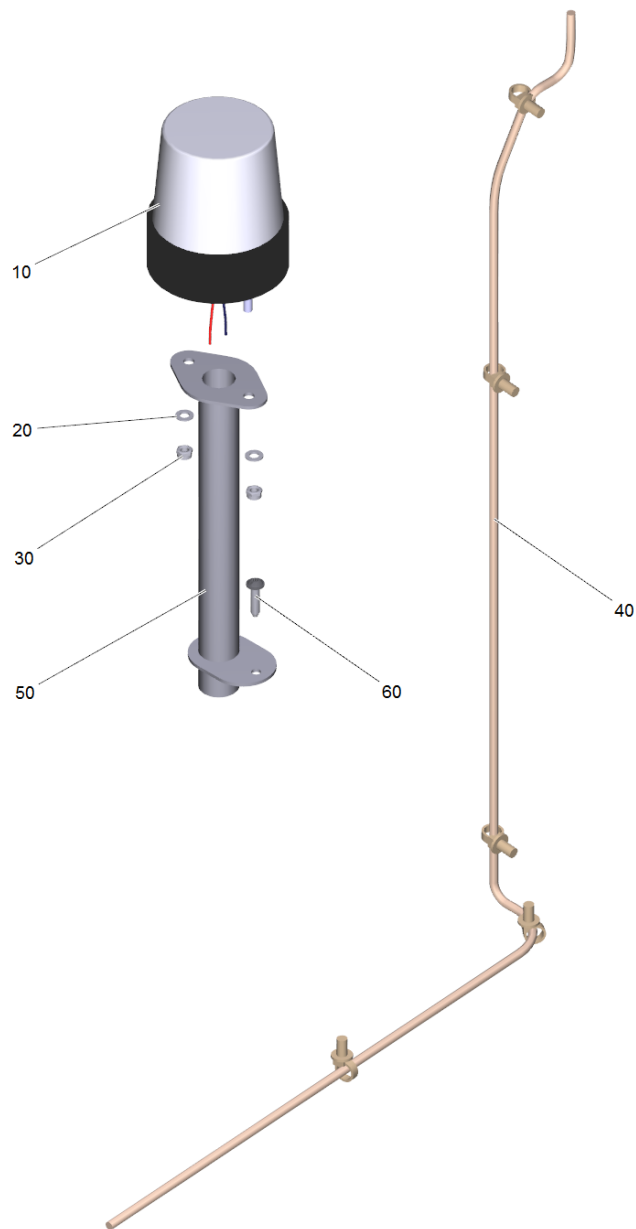
<b>POS</b>	<b>Article no.</b>	<b>Description</b>	<b>Quantity</b>	<b>Unit</b>
30	5.317-781.0	Bolt roller	1.000	ST
40	7.343-303.0	Locking ring 8-A2 DIN 6799	1.000	ST
100	5.332-504.0	Pressure spring	1.000	ST
10	5.101-139.0	Roller holder weight	1.000	ST
90	6.321-240.0	Star grip with inscription VA Ø50x43	1.000	ST
20	6.435-401.0	Wheel D54	1.000	ST

9002 BLADES FOR TEXTURED FLOORS (6.273-290.0)

---

<b>POS</b>	<b>Article no.</b>	<b>Description</b>	<b>Quantity</b>	<b>Unit</b>
20	6.273-229.0	Rubber lip set anti stripe oil resistant	1.000	ST





## 9500 Add-on kit revolving signal light (4.039-267.0)

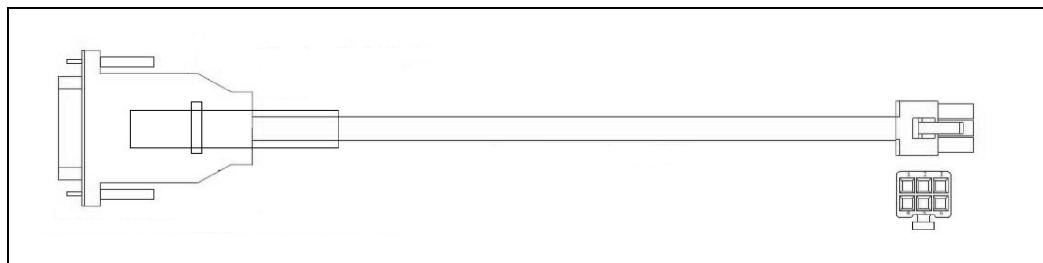
---

<b>POS</b>	<b>Article no.</b>	<b>Description</b>	<b>Quantity</b>	<b>Unit</b>
40	4.822-992.0	Adapter cable revolving signal light B70	1.000	ST
30	7.311-421.0	Hexagon nut M 5-04-A2E DIN 985	2.000	ST
50	4.039-266.0	Holder revolving signal light	1.000	ST
10	4.039-294.0	Revolving signal light BD50/70R Classic	1.000	ST
60	7.303-108.0	Screw 5x20 -10.9-R2R (In6Rd)	1.000	ST
20	7.312-002.0	Washer 5-200HV-A3E ISO 7090	2.000	ST

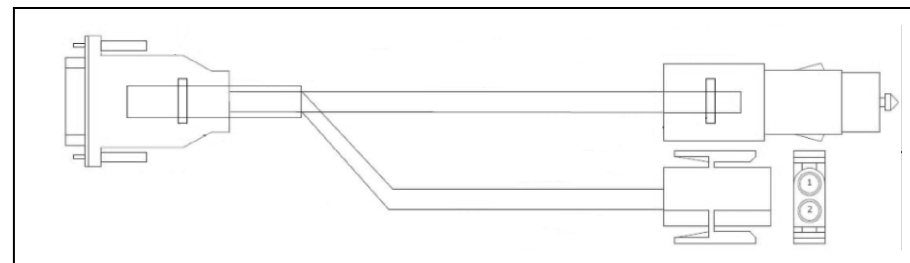
10 Revolving signal light BD50/70R Classic (4.039-294.0)

---

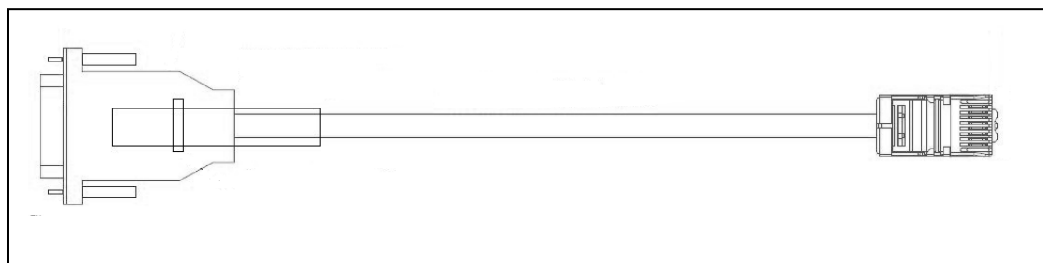
<b>POS</b>	<b>Article no.</b>	<b>Description</b>	<b>Quantity</b>	<b>Unit</b>
20	6.650-605.0	Cable tie with clip	5.000	ST
10	6.035-020.0	Revolving signal light orange	1.000	ST



10



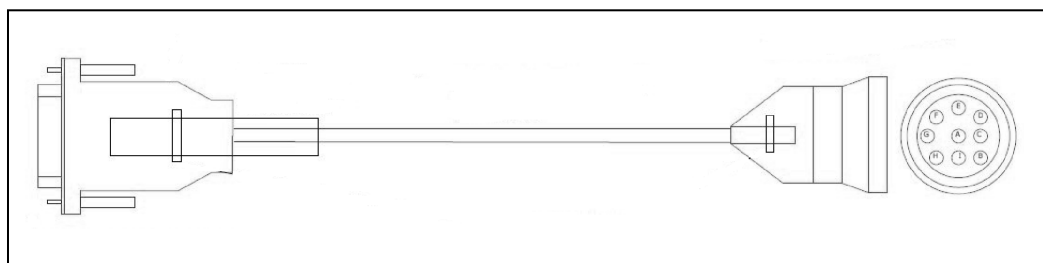
40



20



70



30

9510 KAERCHER Diagnostics completely (2.816-208.0)

---

<b>POS</b>	<b>Article no.</b>	<b>Description</b>	<b>Quantity</b>	<b>Unit</b>
20	4.822-999.0	Cable CAN	1.000	ST
30	4.823-000.0	Cable MC 130	1.000	ST
40	4.823-001.0	Cable MIC 50	1.000	ST
10	4.822-998.0	Cable RS-484	1.000	ST
50	2.643-615.0	KAERCHER Diagnostics modules	1.000	ST
70	6.682-285.0	USB dongle license Diagnostics	1.000	ST

TCU Verbindungskabel mit RJ45  
TCU connection cable with RJ45

100 mm

RJ45 Kabel geschirmt CAT5 beidseitig konfektioniert 8-polig 100mm  
RJ45 cable shielded CAT5 assembled on both sides 8-pole 100mm

Belegung 1-8 auf jeder Seite RJ45 beachten  
Pinning 1-8 note on each side RJ45

RJ45-X1      RJ45-X2

HIROSE SW :: RJ45 Hirose Stecker Cat-5e, TM11, schwarz  
HIROSE SW :: RJ45 Hirose plug Cat-5e, TM11, black

50

Übersicht Adapterkabel TCU SUB D - 24-pol. WR MPC3  
Overview adapter cable TCU SUB D - 24-pol. WR MPC3

24x  
Sub-D-Steckverbinderkontakt,  
Serie AMPLIMITE HDP-22,  
Gr.: 22, Buchse,  
Crimpanschluss, 28 - 22 AWG  
Art.Nr. 1658686-1  
Sub-D connector contact,  
Series AMPLIMITE HDP-22,  
Gr.: 22, jack,  
Crimp, 28 - 22 AWG  
Item No. 1658686-1

85mm

LIYY 1x 0,25² ws

24x  
Würth Elektronik 3,00mm  
Reichsteckleuchte 0,51  
nach IEC 61210 (Art.Nr. 662 003 137 22)  
Würth Elektronik 3,00mm  
Female Crimp Terminal 0,51  
to IEC 61210 (Art.Nr. 662 003 137 22)

24 x Litze in weiss fertigen  
X = Nummeriert von 1-24 auf beiden Seiten  
produce 24 x wires in white  
X = numbered 1-24 on both sides

TE Connectivity AMPLIMITE  
HDP-22, Sub-D Crimpbuchse,  
26-polig, Gerade  
Art.Nr. 1658682-1  
TE Connectivity AMPLIMITE  
HDP-22, Sub-D crimp sleeve,  
26-pins, straight  
Item No. 1658682-1

Kabelbinder schwarz 2,5x100mm  
aus Polyamid 6.6 für Zugentlastung  
fest anziehen  
cable gland 2,5x100mm schwarz  
Polyamid 6.6 tighten strongly  
for strain relief

WR-MPC3 - 3,00MM  
FEMALE DUAL ROW  
RECEPTACLE HOUSING  
24 Circuits  
Art.Nr. 6620241.13322

10

40

50 KAERCHER Diagnostics modules (2.643-615.0)

---

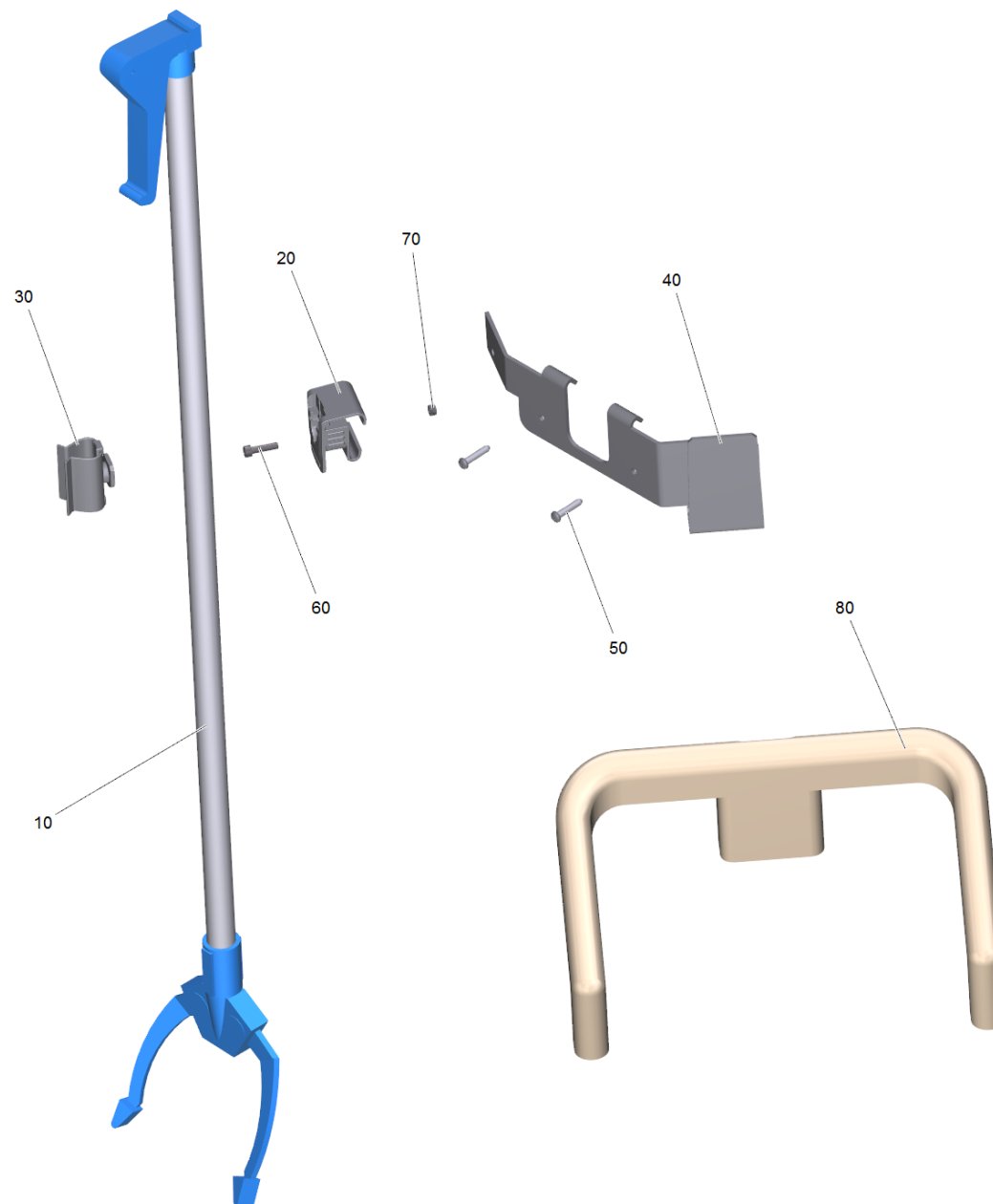
<b>POS</b>	<b>Article no.</b>	<b>Description</b>	<b>Quantity</b>	<b>Unit</b>
40	4.823-014.0	Adapter RJ45	1.000	ST
30	4.823-013.0	Cable Diagnostics modules D-Sub	1.000	ST
20	4.823-002.0	Cable Diagnostics modules RJ-45	1.000	ST
10	4.683-076.0	Fleet management module Diagnostics	1.000	ST
50	6.682-289.0	Housing Diagnostics modules	1.000	ST





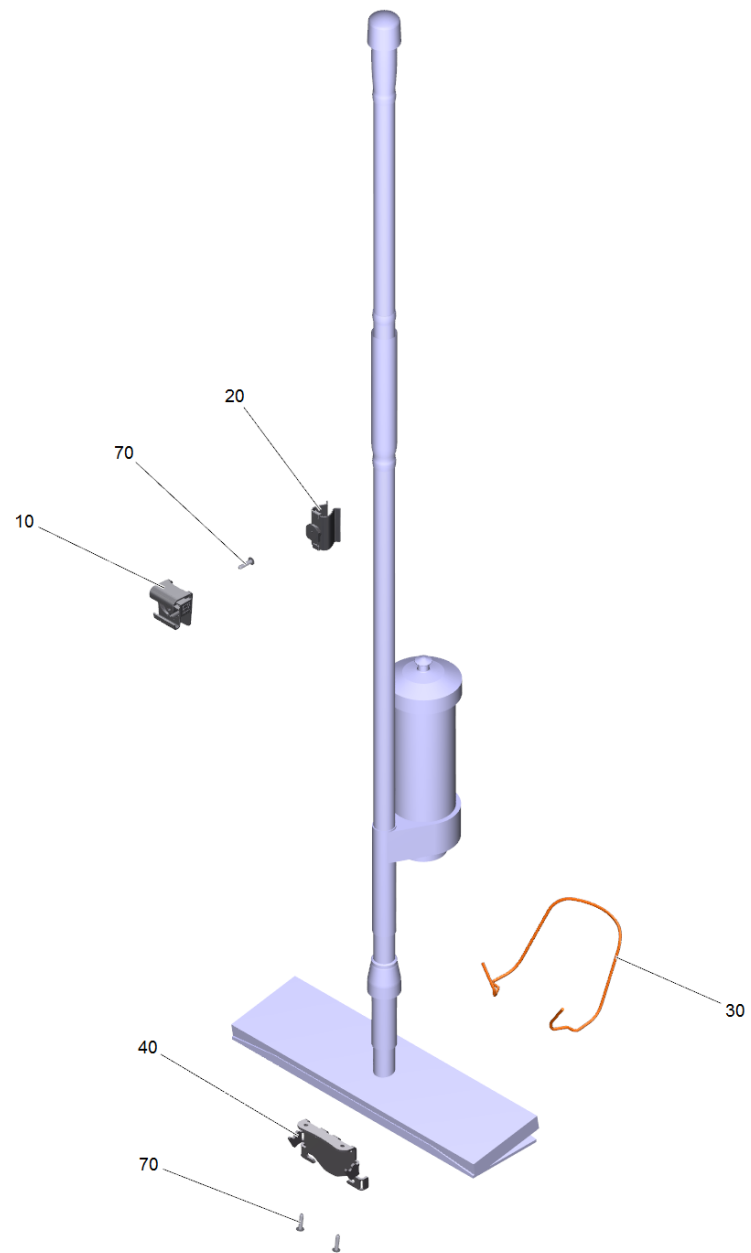
## 9520 Add-on kit pre-sweep unit (4.039-270.0)

POS	Article no.	Description	Quantity	Unit	Foot note text
20	5.035-488.0	Adapter Homebase	2.000	ST	
80	7.306-158.0	Cylinder head screw M 5x20-A4-70 ISO 47	1.000	ST	
70	7.306-025.0	Cylinder head screw M 6x35-8.8-A2E ISO4	1.000	ST	
120	6.999-148.0	Dust mop acrylic 60cm	1.000	ST	
110	6.368-018.0	Edge protection	0.088	M	TO ORDER AS CUT GOODS
50	6.039-023.0	Handle mop pre-sweep unit	1.000	ST	
90	7.311-431.0	Hexagon nut M 5-1.4305 DIN 985	1.000	ST	
10	6.980-078.0	Holder handhold grey	2.000	ST	
100	6.999-092.0	Metal dust mop holder 60cm	1.000	ST	
60	5.039-182.0	Plate anti-twist prevention	1.000	ST	
30	5.039-181.0	Retaining plate pre-sweep unit	1.000	ST	
40	7.303-108.0	Screw 5x20 -10.9-R2R (In6Rd)	4.000	ST	



9530 Add-on kit liner holder (4.039-269.0)

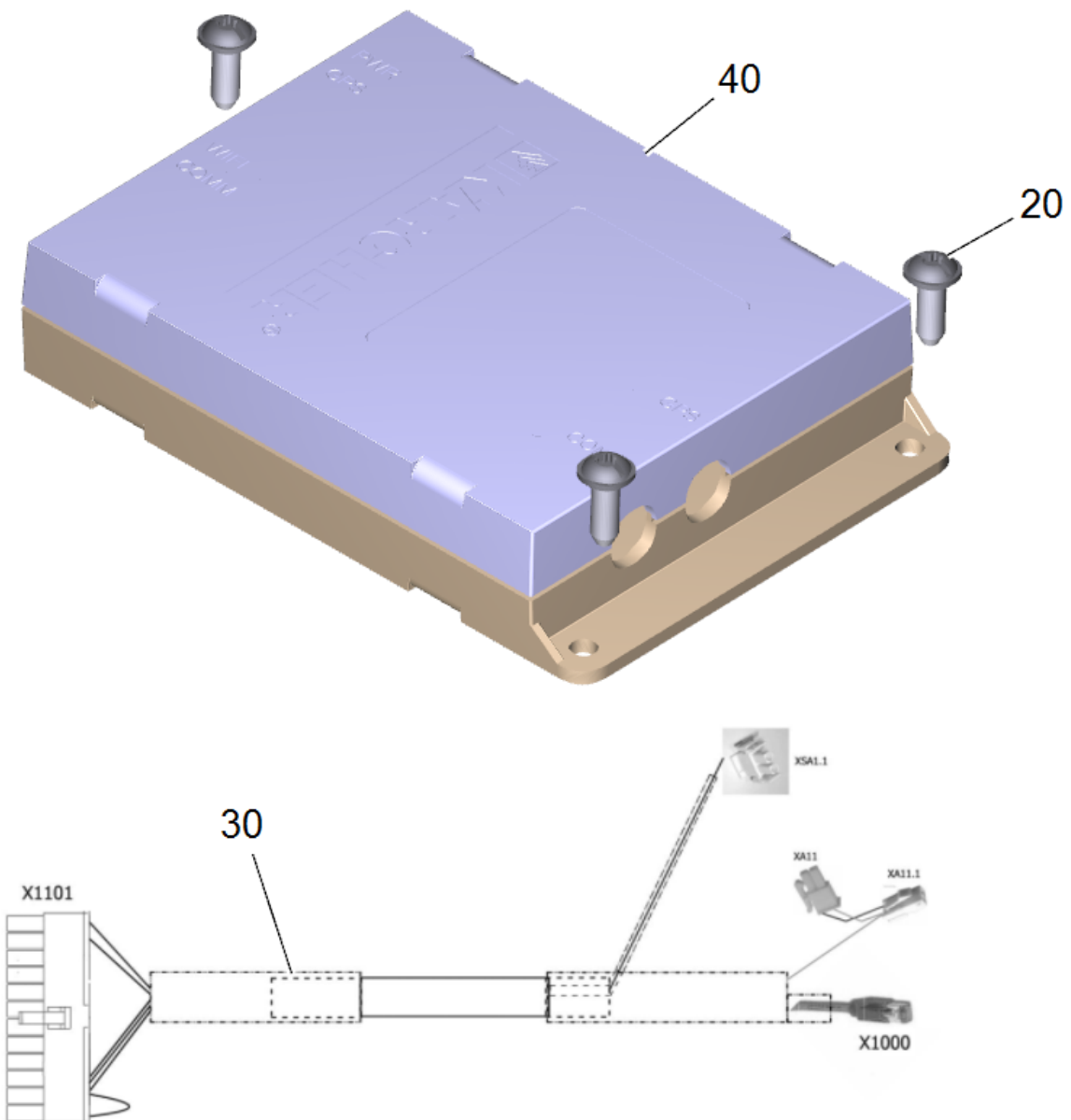
POS	Article no.	Description	Quantity	Unit
20	5.035-488.0	Adapter Homebase	1.000	ST
80	6.999-235.0	Bin liner holder grey	1.000	ST
40		Blank holder Homebase	1.000	ST
60	7.306-158.0	Cylinder head screw M 5x20-A4-70 ISO 47	1.000	ST
70	7.311-431.0	Hexagon nut M 5-1.4305 DIN 985	1.000	ST
30	6.980-078.0	Holder handhold grey	1.000	ST
10	6.999-113.0	Pliers bulk waste 100cm	1.000	ST
50	7.303-105.0	Screw 5x25 -A2-70-bk (In6Rd)	2.000	ST



9540 Add-on kit mop holder (4.039-271.0)

---

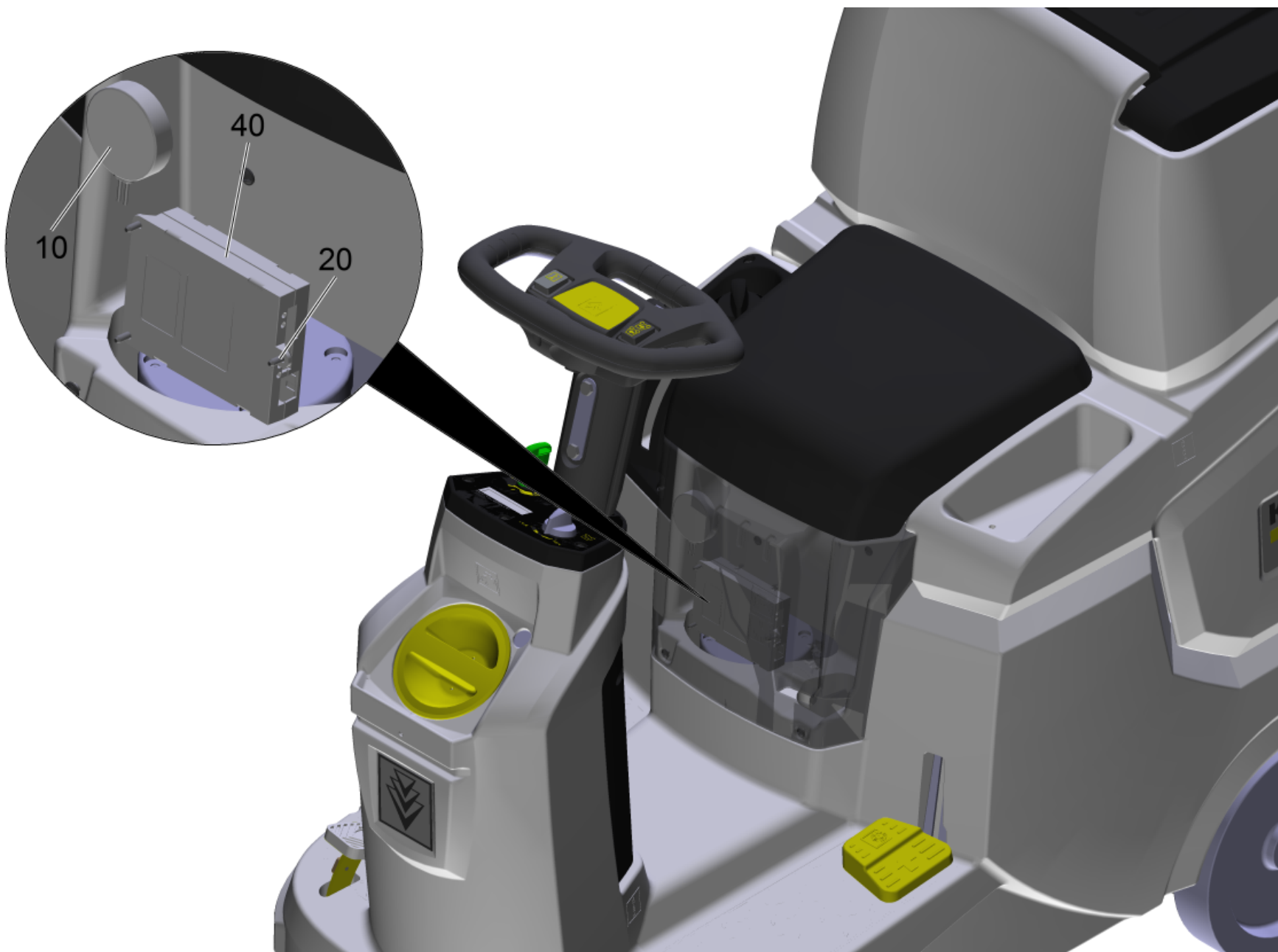
<b>POS</b>	<b>Article no.</b>	<b>Description</b>	<b>Quantity</b>	<b>Unit</b>
10	5.035-488.0	Adapter Homebase	1.000	ST
20	6.980-078.0	Holder handhold grey	1.000	ST
40		Mop retaining plate	1.000	ST
70	7.303-108.0	Screw 5x20 -10.9-R2R (In6Rd)	3.000	ST
30		Wire bracket	1.000	ST



9550 KAERCHER reversion kit Fleet Services NA (2.644-107.0)

---

<b>POS</b>	<b>Article no.</b>	<b>Description</b>	<b>Quantity</b>	<b>Unit</b>
30	4.823-032.0	Cable harness TCU B70R	1.000	ST
20	7.303-106.0	Screw 4x12 -10.9-R2R (IN6RD)	3.000	ST
40	4.683-210.0	TCU V1,5 FC NA	1.000	ST





9550 Add-on kit fleet management module (4.039-268.0)

---

<b>POS</b>	<b>Article no.</b>	<b>Description</b>	<b>Quantity</b>	<b>Unit</b>
10	4.682-006.0	Antenna fleet management module replacem	1.000	ST
30	4.823-032.0	Cable harness TCU B70R	1.000	ST
40	4.683-027.0	Fleet management module WLAN + Glonass	1.000	ST
110	5.035-228.0	Rating plate GPRS Modul TCU NA	1.000	ST
20	7.303-106.0	Screw 4x12 -10.9-R2R (IN6RD)	3.000	ST