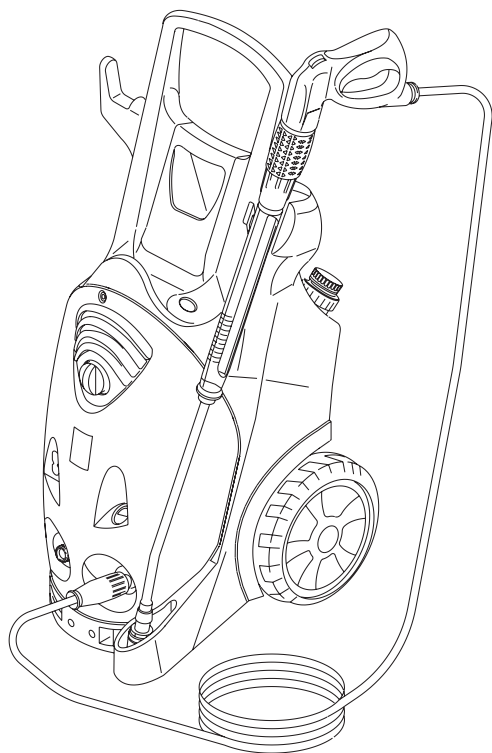
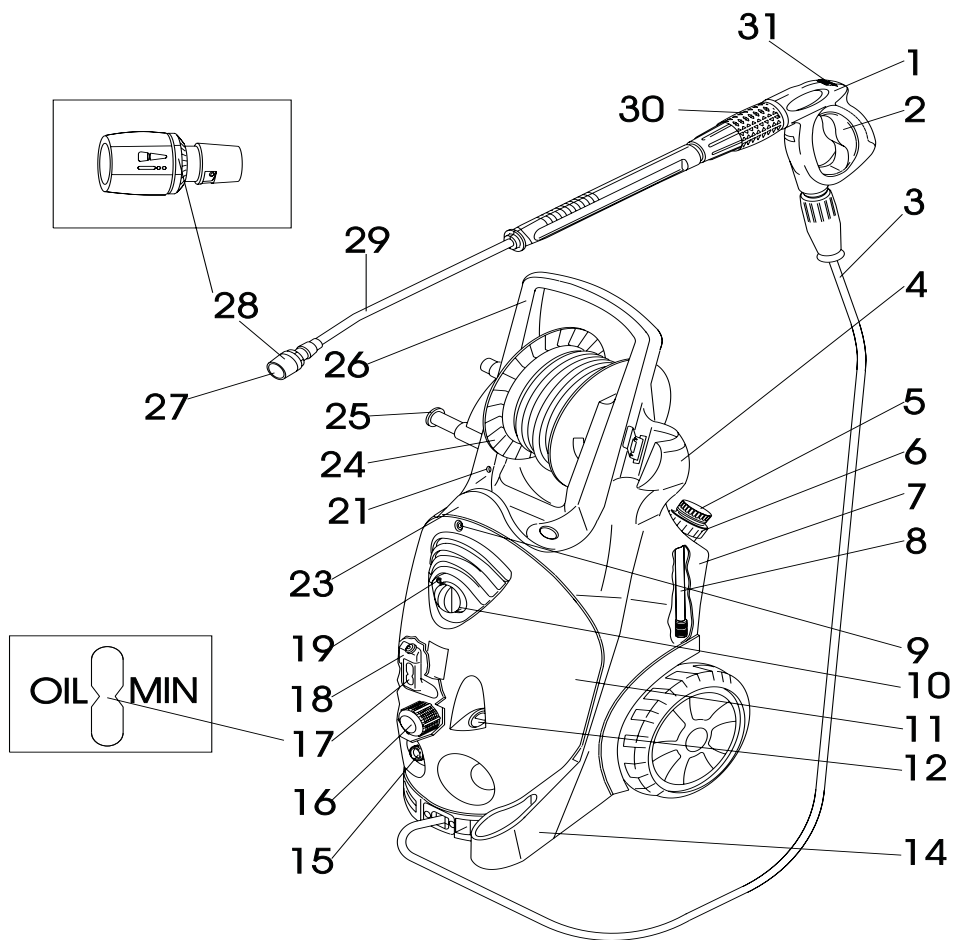


English	3
Français	15
Español	28



Register and win!
www.kärcher.com





IMPORTANT SAFETY INSTRUCTIONS

⚠ **WARNING**

When using this product basic precautions should always be followed, including the following:

- 1 Read all the instructions before using the product.
- 2 High pressure jets can be dangerous if misused. The jet must not be directed at persons, animals, electrical devices, or the unit itself.
- 3 To reduce the risk of injury, close supervision is necessary when a product is used near children.
- 4 Know how to stop the product and bleed pressures quickly. Be thoroughly familiar with the controls.
- 5 Stay alert – watch what you are doing.
- 6 Wear safety goggles.
- 7 Do not use acids, alkaline, solvents, or any flammable material in this product. These products can cause physical injuries to the operator and irreversible damage to the machine.
- 8 Do not operate the product when fatigued or under the influence of alcohol or drugs.
- 9 Do not overreach or stand on unstable support. Keep good footing and balance at all times.
- 10 To reduce the risk of electrocution, keep all connections dry and off the ground. Do not touch plug with wet hands.
- 11 The Trigger Gun Safety Lock prevents the trigger from accidentally being engaged. This safety feature DOES NOT lock trigger in the ON position.

- 12 Keep operating area clear of all persons.
- 13 Follow the maintenance instructions specified in the manual.
- 14 Risk of Injection or Injury – Do Not Direct Discharge Stream At Persons.

This Product Shall Only Be Connected To A Power Supply Receptacle Protected By A Ground Fault Circuit Interrupter."

GROUNDING INSTRUCTIONS

This product must be grounded. If it should malfunction or breakdown, grounding provides a path of least resistance for electric current to reduce the risk of electric shock. This product is equipped with a cord having an equipment-grounding conductor and a grounding plug. The plug must be plugged into an appropriate outlet that is properly installed and grounded in accordance with all local codes and ordinances.

⚠ **DANGER**

Improper connection of the equipment-grounding conductor can result in a risk of electrocution. Check with a qualified electrician or service personnel if you are in doubt as to whether the outlet is properly grounded. Do not modify the plug provided with the product - if it will not fit the outlet, have a proper outlet installed by a qualified electrician. Do not use any type of adapter with this product.

GROUND FAULT CIRCUIT INTERRUPTER PROTECTION

To comply with the National Electrical Code (NFPA 70) and to provide additional protection from the risk of electric shock, this pressure washer should

only be connected to a receptacle that is protected by a ground fault circuit interrupter (GFCI).

EXTENSION CORDS

Use only 3-wire extension cords that have 3-prong grounding-type plugs and 3-pole cord connectors that accept the plug from the product. Use only extension cords that are intended for outdoor use. These extension cords are identified by a marking "Acceptable for use with out-door appliances: store indoors while not in use." Use only extension cords having an electrical rating not less than the rating of the product. Do not use damaged extension cords. Examine extension cord before using and replace if damaged. Do not abuse extension cord and do not yank on any cord to disconnect. Keep cord away from heat and sharp edges. Always disconnect the extension cord from the receptacle before disconnecting the product from the extension cord.

⚠ WARNING

To reduce the risk of electrocution, keep all connections dry and off the ground. Do not touch plug with wet hands.

⚠ WARNING

To reduce the risk of fire, electric shock, or injury:

Injection hazard: equipment can cause serious injury if the spray penetrates the skin. Do not point the gun at anyone or any part of the body. In case of penetration seek medical aid immediately.

This system is capable of producing 25000 kPa. To avoid rupture and injury, do not operate this pump with com-

ponents rated less than 25000 kPa working pressure (including but not limited to spray guns, hose and hose connections).

This system is capable of producing 9000 kPa/1300 PSI. To avoid rupture and injury, do not operate this pump with components rated less than 9000 kPa/1300 PSI working pressure (including but not limited to spray guns, hose and hose connections).

Before servicing, cleaning, or removal of any part, shut off power and relieve pressure.

High Pressure. Keep clear of nozzle. Close cover before operating the machine.

If connection is made to a potable water system, the system shall be protected against backflow.

This appliance is intended for commercial use.

Do not spray electrical apparatus and wiring.

This machine has been designed for use with cleaning chemicals supplied or recommended by the manufacturer. The use of other cleaning chemicals may affect the operation of the machine and void the warranty.

SAVE THESE INSTRUCTIONS!



Please read and comply with these original instructions

prior to the initial operation of your appliance and store them for later use or subsequent owners.

Contents

Device elements	EN . . . 3
Safety instructions	EN . . . 3
Proper use	EN . . . 4
Safety Devices	EN . . . 4
Environmental protection . .	EN . . . 4
Before Startup	EN . . . 5
Start up	EN . . . 5
Operation	EN . . . 6
Transport	EN . . . 8
Storage	EN . . . 8
Maintenance and care	EN . . . 9
Troubleshooting	EN . . . 9
Spare parts	EN . . 11
Warranty	EN . . 11
Technical specifications . . .	EN . . 12

Device elements

see cover page

- 1 Hand blowing gun
- 2 Lever for hand spray gun
- 3 High pressure hose
- 4 Trigger gun storage clip
- 5 Dosage valve for detergent
- 6 Locking cap for detergent tank
- 7 Detergent Tank
- 8 Detergent suction hose with filter
- 9 Fastening screw for device hood
- 10 Power switch
- 11 Cover
- 12 Manometer
- 13 High pressure connection
- 14 Storage compartment for nozzles
- 15 Water connection
- 16 Fine filter
- 17 Oil level indicator
- 18 Oil tank

- 19 Indicator lamp operation status / malfunction
- 20 Storage compartment for hoses
- 21 Deaerating the detergent tank
- 22 Accessory compartment
- 23 Cable clamp
- 24 Handle
- 25 Nozzle
- 26 Marking of the nozzle
- 27 Spray lance
- 28 Pressure/ quantity regulation
- 29 Safety lever

Colour coding

- The operating elements for the cleaning process are yellow.
- The controls for the maintenance and service are light gray.

Safety instructions

- Before first start-up it is definitely necessary to read the operating instructions and safety indications Nr. 5.951-949.0!
- Please follow the national rules and regulations for fuel spray jets of the respective country.
- Please follow the national rules and regulations for accident prevention of the respective country. Fuel spray jets must be tested regularly and the results of these tests must be documented in writing.

Symbols in the operating instructions

Danger

Immediate danger that can cause severe injury or even death.

Warning

Possible hazardous situation that could lead to severe injury or even death.

Caution

Possible hazardous situation that could lead to mild injury to persons or damage to property.

Symbols on the machine



High-pressure jets can be dangerous if improperly used. The jet may not be directed at persons, animals, live electrical equipment or at the appliance itself.



According to the applicable regulations, the appliance must never be used on the drinking water net without a system separator. Use a suitable system separator manufactured by Kärcher; or, as an alternative, a system separator as per EN 12729 Type BA. Water flowing through a system separator is considered non-drinkable.

Safety instructions

- Please follow the national rules and regulations for fuel spray jets of the respective country.
- Please follow the national rules and regulations for accident prevention of the respective country. Fuel spray jets must be tested regularly and the results of these tests must be documented in writing.

Proper use

Use this high pressure cleaner exclusively for

- Cleaning using low pressure jet and detergent (for e.g. for cleaning machines, cars, buildings, tools),
- For cleaning using high pressure jet without detergent (for e.g. for cleaning facades, terraces, garden appliances).

For stubborn dirt, we recommend the use of the dirt blaster as a special accessory.

Safety Devices

Safety devices serve to protect the user and must not be rendered in operational or their functions bypassed.

Overflow valve with pressure switch

While reducing the water supply/quantity regulation at the pump head, the overflow valve opens and part of the water flows back to the pump suck side.

If the lever on the trigger gun is released the pressure switch turns off the pump, the high pressure jet is stopped. If the lever is pulled the pump is turned on again.

The overflow valve and pressure switch are set and sealed at the factory. Setting only by customer service. Setting only by customer service.

Environmental protection



The packaging material can be recycled. Please do not place the packaging into the ordinary refuse for disposal, but arrange for the proper recycling.



Old appliances contain valuable materials that can be recycled; these should be sent for recycling. Batteries, oil, and similar substances must not enter the environment. Please dispose of your old appliances using appropriate collection systems.

Notes about the ingredients (REACH)

You will find current information about the ingredients at:

www.kaercher.com/REACH

Before Startup

Unpacking

- Check the contents of the pack before unpacking.
- In case of transport damage inform vendor immediately

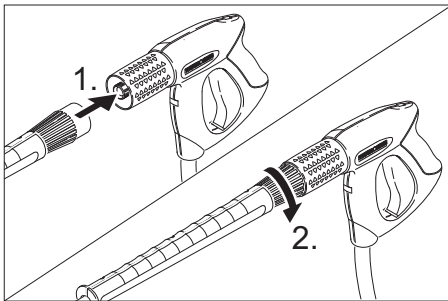
Check oil level

- ➔ Read the oil level display when the device is not running. The oil level must be above the two pointers.

Activate deaeration of oil container

- ➔ Unscrew the fastening screws of the device hood; remove the device hood.
- ➔ Cut off tip of oil container cover
- ➔ Fasten the device hood.

Install hand spray gun, spray lance and nozzle



- ➔ Mount the nozzle on the spray pipe (markings on the adjustment ring at the top).
- ➔ Connect ray tube to hand spray gun
- ➔ Tighten the screw connection of the spray lance finger tight.
- ➔ Lock in the cable hook in the side-hole on the handle.
- ➔ Tighten the high-pressure connection as required.

Start up

Electrical connection

⚠ Danger

Danger of injury by electric shock.

The appliance may only be connected to alternating current.

The appliance may only be connected to an electrical supply which has been installed in accordance with IEC 60364.

The voltage indicated on the type plate must correspond to the voltage of the electrical source.

The minimum fuse rating required at the socket outlet is (see technical specifications).

The highest allowed net impedance at the electrical connection point (refer to technical data) is not to be exceeded.

In case of confusion regarding the power impedance present on your connection, please contact your utilities provider.

The appliance should always be connected to the electrical mains using a plug. It is forbidden to permanently connect the appliance to the power supply. The plug is only for mains separation.

Check the power cord with mains plug for damage before every use. If the power cord is damaged, please arrange immediately for the exchange by an authorized customer service or a skilled electrician.

The plug and coupling of the extension cable used must be watertight.

Use the extension cord that has an adequate cross-section (see "Technical Data") and unwind it fully from the cable drum.

Unsuitable extension cables can be hazardous. Only use extension cables

outdoors which have been approved for this purpose and labelled with a sufficient cable cross section:

For connection values, see type plate/technical data.

Water connection

Connection to the water supply

⚠ Warning

Observe regulations of water supplier. According to the applicable regulations, the appliance must never be used on the drinking water supply without a system separator. Use a suitable system separator manufactured by KÄRCHER, or, as an alternative, a system separator as per EN 12729 Type BA. Water flowing through a system separator is considered non-drinkable.



Caution

Always connect the system separator to the water supply, never directly to the appliance!

For connection values refer to technical specifications

- Connect the supply hose (minimum length 7.5 m, minimum diameter 3/4") to the water connection point of the machine and at the water supply point (for e.g. a tap).

Note

The supply hose is not included.

- Open the water supply.

Drawing in water from open reservoirs

- Screw the suction hose with filter (order no. 4.440-238.0) to the water connection.
- Deaerate the appliance:
Unscrew the nozzle.

Switch on the appliance and let it run until the water exiting is bubble-free.

- Switch off the appliance and fit the nozzle again.

Operation

⚠ Danger

Risk of injury! Never use the appliance without the spray lance attached.

Check and ensure proper fitting of the spray lance prior to each use. The screw connection of the spray lance must be fingertight.

Risk of explosion!

Do not spray flammable liquids.

If the appliance is used in hazardous areas (e.g. filling stations) the corresponding safety provisions must be observed.

⚠ Warning

Clean engines only at places with corresponding oil separators (environmental safety).

High pressure operation

Note

The appliance is equipped with a pressure switch. The motor starts up only when the lever of the pistol is pulled.

- Set the appliance switch to "I".
Control lamp glows green.
- Unlock the hand-spray gun and pull the lever of the gun.

⚠ Danger

When adjusting the pressure/quantity regulation, make sure that the screw connection of the spray lance does not become loose.

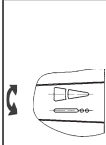
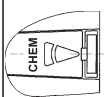
- Set working pressure and flow rate through turning (runless) at the pressure- and amount regulation (B) (+/-).

- For transporting small quantities, the engine heat ensures that water is heated up to approx. 15 °C.

Select spray type

- Close the hand spray gun.
- Turn the casing of the nozzle till the desired symbol matches the marking.
- Select round or flat spray using touch-less switching:
Turn the spray-pipe that is inclined about 45° downward to the left or the right.

Meaning of the symbols

	High pressure flat spray (25°) for large dirt areas
	High pressure circular spray (0°) for specially stubborn dirt
	Flat low pressure spray (CHEM) for operating using detergents or cleaning at low pressure.

Operation with detergent

⚠ Warning

Unsuitable detergents can cause damage to the appliance and to the object to be cleaned. Use only those detergents that have been approved by Kärcher. Observe the dosage and other instructions provided with these detergents. For considerate treatment of the environment use detergent economically.

Follow the safety instructions for using detergents.

Kärcher detergents ensure smooth functioning. Please consult us or ask

for our catalogue or our detergent information sheets.

- Fill detergent tank.
 - Set nozzle to "CHEM".
 - Set dosing value for detergent to the desired concentration.
- Detergent concentration [%] (for max. flow quantity)

Position of the dosing valve	1	3	5	7
Detergent concentration [%] (for max. flow quantity)	0,5	2,5	5,0	7,0

Recommended cleaning method

- Spray the detergent sparingly on the dry surface and allow it to react, but not to dry.
- Spray off loosened dirt with the high-pressure ray.
- After operations, dip the filter in clear water. Turn the dosing valve to the highest detergent concentration. Start the appliance and rinse for one minute.

Interrupting operation

- Release the lever of the hand-spray gun; the device will switch off.
- Release again the lever of the hand-spray gun; the device will switch on again.

Operational readiness period

On opening the hand-spray gun, the device starts within the readiness period. The indicator lamp glows green. The readiness period is over if the hand-spray gun remains closed for 30 minutes. The indicator lamp blinks green.

Reset readiness period

- Set the appliance switch to "0".
- Wait for a while.
- Set the appliance switch to "I".

Customer Service can switch the device to continuous operations.

Turn off the appliance

- Set the appliance switch to "0".
- Disconnect the mains plug from the socket.
- Shut off water supply.
- Activate hand spray gun until device is pressure-less.
- Press the safety lever of the hand-spray gun to secure the lever of the pistol against being released accidentally.

⚠ Danger

Danger of scalding by means of hot water. The water remaining in the switched off device can get heated up. When you remove the hose from the water inlet, the heated water can spray out and cause scalding. Remove the hose only when the device has cooled down.

Storing the Appliance

- Insert the hand-spray gun in the holder.
- Wind up the high-pressure hose and hang it over the hose storage.
- Wind the connection cable around the cable holder.

Frost protection

⚠ Warning

Frost will destroy the not completely water drained device.

Store the appliance in a frost free area.

If you cannot store it in a frost-free place:

- Emptying the detergent tank (see "Care and Maintenance/ as required").
- Drain water.
- Pump in conventional frost protection agents through the appliance.

Note

Use normal glycol-based anti-freezing agents for automobiles.

Observe handling instructions of the anti-freeze agent manufacturer.

- Operate device for max. 1 minute until the pump and conduits are empty.

Transport

Caution

Risk of injury and damage! Observe the weight of the appliance when you transport it.

- Pull the device behind you at the handle for transporting it over longer distances.
- Empty the detergent tank before transporting in horizontal position.
- When transporting in vehicles, secure the appliance according to the guidelines from slipping and tipping over.

Storage

Caution

Risk of injury and damage! Note the weight of the appliance in case of storage.

This appliance must only be stored in interior rooms.

Maintenance and care

⚠ Danger

Risk of injury by inadvertent startup of appliance and electrical shock.

First pull out the plug from the mains before carrying out any tasks on the machine.

Note

Please dispose off used oil only in the collection points provided for them.

Please hand over old oil, if any, only at such places. Polluting the environment with used oil is a punishable offence.

Safety inspection/ maintenance contract

You can sign with your dealer a contract for regular safety inspection or even sign a maintenance contract. Please take advice on this matter.

Before each use

- Check connection cable for damages (risk of electrical shock); get the damaged connection cable replaced immediately by an authorised customer service person/ electrician.
- Check the high pressure hose for damages (risk of bursting).
Please arrange for the immediate exchange of a damaged high-pressure hose.
- Check appliance (pump) for leaks.
3 drops per minute are permitted and can come out from the lower side of the appliance. Call Customer Service if there is heavy leakage.

Weekly

- Check oil level Please contact Customer Service immediately if the oil is milky (water in oil).
- Clean the fine filter.
Unpressurize the appliance.
Unscrew the fastening screws of the device hood; remove the device hood.
Unscrew lid with filter.

Clean the filter with clean water or compressed air.

Reinstall in reverse sequence.

- Clean filter at the detergent suck hose.

monthly or after 500 operating hours

- Oil change.

Oil change

Note

See "Technical Details" for details of oil quantity and type.

- Unscrew the fastening screws of the device hood; remove the device hood.
- Turn out the oil drain screw at the front on the motor casing.
- Drain the oil in a collection basin.
- Turn out the oil drain screw.
- Fill in new oil slowly; air bubbles should go out.
- Attach the lid of the oil container.
- Fasten the device hood.

If required

- Empty and clean the detergent tank.
Pull out the locking cap for the detergent tank along with the suction hose.
Lay the device on the reverse.
Empty and clean the detergent tank.

Troubleshooting

⚠ Danger

Risk of injury by inadvertent startup of appliance and electrical shock.

First pull out the plug from the mains before carrying out any tasks on the machine.

Get the electrical components checked and repaired only by authorised customer service persons.

Contact an authorised customer service person in case of problems not mentioned in this chapter or if you are in doubt or when you have been explicitly asked to do so.

Indicator lamp

The indicator lamps display the operating states (green) and interruptions (red).

Reset:

- Set the appliance switch to "0".
- Wait for a while.
- Set the appliance switch to "I".

Operating status display

- Continuous green:
The appliance is now ready for operation.
- blinks green once:
Operational readiness has expired after 30 minutes.
The appliance has switched off after 30 minutes of continuous operation (safety if the high pressure hose bursts).

Fault indication

- blinks red once:
High-pressure side is leaky.
Check high pressure hose, hose connections and hand spray gun for leaks.
- blinks red twice:
Engine is too hot.
Set the appliance switch to "0".
Allow device to cool down.
Set the appliance switch to "I".
- blinks red thrice:
Fault in the voltage supply.
Check main connections and mains fuse.
- blinks red four times:
Excessive power consumption.
Call Customer Service.

Appliance is not running

- Operational readiness period has expired. Indicator lamp is blinking

green. Switch on/off the device switch again.

- Check connection cable for damages.
- Call Customer Service in case of electrical defects.

Pressure does not build up in the appliance

- Set nozzle to "High pressure".
- Clean/ replace nozzle.
- Clean the fine filter; replace it, if necessary.
- Deaerate the appliance (see "Start-up")
- Check water supply level (refer to technical data).
- Check all inlet pipes to the pump.
- Contact Customer Service if needed.

Pump leaky

3 drops per minute are permitted and can come out from the lower side of the appliance. Call Customer Service if there is heavy leakage.

- With stronger leak, have device checked by customer service.

Pump is vibrating

- Check suction pipes for water and detergent and ensure that they are leak-proof.
- Deaerate the appliance (see "Start-up")
- Clean the fine filter.
- Contact Customer Service if needed.

Detergent is not getting sucked in

- Set nozzle to "CHEM".
- Check/ clean detergent suction hose with filter.

- Clean/ replace backflow valve in the connection of the detergent suction hose.
- Open or check/clean detergent dosing valve.
- Clean the deaerating hole of the detergent tank in the casing.
- Contact Customer Service if needed.

Spare parts

- Only use accessories and spare parts which have been approved by the manufacturer. The exclusive use of original accessories and original spare parts ensures that the appliance can be operated safely and trouble free.
- At the end of the operating instructions you will find a selected list of spare parts that are often required.
- For additional information about spare parts, please go to the Service section at www.kaercher.com.

Warranty

The warranty terms published by the relevant sales company are applicable in each country. We will repair potential failures of your appliance within the warranty period free of charge, provided that such failure is caused by faulty material or defects in manufacturing. In the event of a warranty claim please contact your dealer or the nearest authorized Customer Service centre. Please submit the proof of purchase.

Technical specifications

Main Supply		
Voltage	V	440...460
Current type	Hz	3~ 60
Connected load	HP	10
Protection (slow, char. C)	A	16
Type of protection		IPX5
Maximum allowed net impedance	Ohm	(0,145+j0,090)
Extension cable 10 m	mm ²	2.5
Extension cord 30 m	mm ²	4
Water connection		
Max. feed temperature	°F	140
Min. feed volume	gpm	5.3
Suck height from open container (20 °C)	m	0.5
Max. feed pressure	psi	145
Performance data		
Working pressure	psi	435...3190
Nozzle size		055
Max. operating over-pressure	psi	3480
Flow rate	gpm	2.2...4.5
Detergent suck in	gpm	0...0.3
Max. recoil force of hand spray gun	N	62
Values determined as per EN 60355-2-79		
Hand-arm vibration value		
Hand spray gun	m/s ²	<2.5
Spray lance	m/s ²	<2.5
Uncertainty K	m/s ²	0.3
Sound pressure level L _{pA}	dB(A)	72
Uncertainty K _{pA}	dB(A)	2
Sound power level L _{WA} + Uncertainty K _{WA}	dB(A)	87
Fuel		
Amount of oil	l	1.2
Oil grade		SAE 90
Dimensions and weights		
Length	mm	560
Width	mm	500
Height	mm	1090
Typical operating weight	kg	62
Content detergent tank	l	6

CONSIGNES DE SÉCURITÉ IMPORTANTES

⚠ **AVERTISSEMENT**

En utilisant ce produit, toujours observer une certaine prudence élémentaire, incluant notamment :

- 1 Lire toutes les instructions de service avant d'utiliser l'appareil.
- 2 En cas d'utilisation incorrecte, les jets haute pression peuvent être dangereux. Ne jamais diriger les jets de vapeur en direction d'individus, d'animaux, de dispositifs électriques ou de l'appareil lui-même.
- 3 Afin de minimiser les risques de blessure, ne jamais laisser l'appareil sans surveillance lorsque celui-ci est utilisé à proximité d'enfants.
- 4 Il est impératif de savoir arrêter et mettre l'appareil hors pression rapidement. Une connaissance approfondie des commandes est nécessaire.
- 5 Rester attentif – se concentrer sur la tâche en cours.
- 6 Le port de lunettes de protection est obligatoire.
- 7 N'utiliser en aucun cas d'acides, de solutions alcalines, de solvants ou de produits inflammables dans cet appareil. Ces produits peuvent être à l'origine de blessures graves ou d'endommagement irréversible de l'appareil.
- 8 L'utilisateur ne doit jamais faire usage de l'appareil lorsqu'il est fatigué ou sous l'emprise d'alcool ou de drogues.
- 9 Ne jamais passer ou monter sur des supports instables. Toujours rester stable et équilibré.

10 Afin de réduire le risque d'électrocution, garder toutes les connexions au sec et ne pas les laisser à terre. Ne pas toucher la fiche avec les mains mouillées.

11 Le dispositif de sécurité de la poignée-pistolet permet d'éviter tout actionnement accidentel de la gâchette. Ce dispositif de sécurité NE verrouille PAS la gâchette en position marche (ON).

12 Veiller à ce qu'aucun individu ne se trouve dans la zone de travail.

13 Respecter les consignes d'entretien figurant dans le manuel.

14 Risque de projection ou de blessure – Ne pas diriger le jet de vapeur en direction d'individus.

Ce produit ne doit être raccordé qu'à une prise de courant protégée par un interrupteur de court-circuit à la masse.

INSTRUCTIONS DE MISE À LA TERRE

Ce produit doit être mis à la terre. En cas de mauvais fonctionnement ou de panne, la mise à la terre établit un chemin de moindre résistance pour le courant électrique afin de réduire le risque de décharge électrique. Ce produit est équipé d'un cordon doté d'un conducteur de mise à la terre de l'équipement et d'une prise de mise à la terre. La prise doit être branchée dans une prise appropriée qui est correctement installée et mise à la terre en conformité avec les codes et ordonnances locaux.

⚠ **DANGER**

Un conducteur de mise à la terre d'équipement incorrectement branché peut entraîner un risque d'électrocution. Vérifier avec un électricien ou un technicien d'entretien qualifié en cas de doute sur la mise à terre correcte de

la prise. Ne pas modifier la fiche fournie avec le produit - si elle ne peut pas être branchée, faire installer une prise appropriée par un électricien qualifié. Ne pas utiliser n'importe quel type d'adaptateur avec ce produit.

PROTECTION PAR DISJONCTEUR DIFFÉRENTIEL

Pour respecter la réglementation nationale sur l'électricité (NFPA 70) et fournir une protection supplémentaire contre le risque d'électrocution, cette rondelle de pression doit être seulement raccordée à une prise de courant qui est protégée par un interrupteur de court-circuit à la masse (GFCI).

RALLONGES

Utiliser uniquement des rallonges à 3 fils, dotées de fiches de terre à 3 fourches et de connecteurs tripolaires adaptés à la fiche du produit. Utiliser uniquement des rallonges prévues pour une utilisation extérieure. Ces rallonges sont repérables au marquage "Peut être utilisé avec des appareils électriques à l'extérieur : ranger à l'intérieur lorsque l'appareil n'est pas utilisé." Utiliser uniquement des rallonges ayant une puissance nominale qui n'est pas inférieure à celle du produit. Ne pas utiliser de rallonges endommagées. Examiner la rallonge avant de l'utiliser et la remplacer si elle est endommagée. Ne pas abîmer la rallonge et ne pas tirer brusquement sur un cordon pour le débrancher. Tenir le cordon éloigné des sources de chaleur et des bords pointus. Toujours débrancher la rallonge de la prise de courant avant de débrancher le produit de la rallonge.

△ AVERTISSEMENT

Afin de réduire le risque d'électrocution, garder toutes les connexions au sec et ne pas les laisser à terre. Ne pas toucher la fiche avec les mains mouillées.

△ AVERTISSEMENT

Afin de réduire les risques d'incendie, d'électrocution et de blessures, prendre les précautions suivantes : Risque d'injection : le produit peut provoquer de graves blessures en cas de pénétration dans la peau. Ne pas diriger le canon vers quelqu'un ou vers une partie du corps. En cas de pénétration, consulter immédiatement un médecin.

Ce système est capable de produire 25000 kPa. Pour éviter toute rupture et blessure, ne pas faire fonctionner cette pompe avec des composants homologués pour une pression de service inférieure à 25000 kPa (incluant sans s'y limiter les pistolets de vaporisation, tuyaux et raccords de tuyau).

Avant d'effectuer l'entretien, le nettoyage ou le retrait de toute pièce, couper le courant et réduire la pression. Haute pression. Maintenir sans tuyères.

Fermer le couvercle avant d'utiliser la machine.

Si le branchement à un système d'eau potable est effectué, le système doit être protégé contre un retour de courant.

Cet appareil est prévu pour un usage commercial.

Ne pas pulvériser sur des appareils ou des fils électriques.

Cette machine a été conçue pour une utilisation avec des produits chimiques utilisés pour le nettoyage, fournis ou

recommandés par le fabricant. L'utilisation d'autres produits chimiques pour le nettoyage peut influencer sur le fonctionnement de la machine et annuler la garantie.

CONSERVER CES INSTRUCTIONS !



Lire ces notice originale avant la première utilisation de votre appareil, se comporter selon ce qu'elles requièrent et les conserver pour une utilisation ultérieure ou pour le propriétaire futur.

Table des matières

Éléments de l'appareil	FR . . . 3
Consignes de sécurité	FR . . . 3
Utilisation conforme	FR . . . 4
Dispositifs de sécurité	FR . . . 5
Protection de l'environnement	FR . . . 5
Avant la mise en service	FR . . . 5
Mise en service	FR . . . 6
Utilisation	FR . . . 7
Transport	FR . . . 9
Entreposage	FR . . . 9
Entretien et maintenance . . .	FR . . 10
Assistance en cas de panne . . .	FR . . 11
Pièces de rechange	FR . . 12
Garantie	FR . . 12
Caractéristiques techniques . . .	FR . . 13

Éléments de l'appareil

cf. page de couverture

- Poignée-pistolet
- Manette de la poignée-pistolet
- Flexible haute pression
- Support de poignée-pistolet
- Vanne de dosage du détergent
- Couvercle de fermeture du réservoir de détergent
- Réservoir de détergent
- Flexible d'aspiration du détergent avec filtre
- Vis de fixation du capot

- Interrupteur principal
- Capot
- Manomètre
- Raccord haute pression
- Récepteur de buse
- Arrivée d'eau
- Filtre fin
- Indicateur de niveau d'huile
- Réservoir d'huile
- Lampe témoin état de service / défaut
- Dépose du flexible
- Ventilation du réservoir de détergent
- Espace de rangement pour les accessoires
- Attache-câble
- Poignée
- Buse
- Marquage de la buse
- Lance
- Régulateur de pression et de quantité
- Manette de sécurité

Repérage de couleur

- Les éléments de commande pour le processus de nettoyage sont jaunes.
- Les éléments de commande pour la maintenance et l'entretien sont en gris clair.

Consignes de sécurité

- Avant la première mise en service, vous devez impérativement avoir lu les consignes de sécurité N° 5.951-949.0 !
- Respecter les dispositions légales nationales respectives pour les jets de liquide.
- Respecter les dispositions légales nationales respectives pour la pré-

vention des accidents. Les jets de liquides doivent être contrôlés régulièrement et le résultat du contrôle consigné par écrit.

Symboles utilisés dans le mode d'emploi

⚠ Danger

Pour un danger immédiat qui peut avoir pour conséquence la mort ou des blessures corporelles graves.

⚠ Avertissement

Pour une situation potentiellement dangereuse qui peut avoir pour conséquence des blessures corporelles graves ou la mort.

Attention

Pour une situation potentiellement dangereuse qui peut avoir pour conséquence des blessures légères ou des dommages matériels.

Des symboles sur l'appareil



Une utilisation incorrecte des jets haute pression peut présenter des dangers. Le jet ne doit pas être dirigé sur des personnes, animaux, installations électriques actives ni sur l'appareil lui-même.



Selon les directives en vigueur, l'appareil ne doit jamais être exploité sans séparateur système sur le réseau d'eau potable. Utiliser un séparateur système approprié de la Sté. Kärcher ou en alternative un séparateur système selon EN 12729 type BA.

L'eau qui s'est écoulée à travers un séparateur system est classifiée comme non potable.

Consignes de sécurité

- Respecter les dispositions légales nationales respectives pour les jets de liquide.
- Respecter les dispositions légales nationales respectives pour la prévention des accidents. Les jets de liquides doivent être contrôlés régulièrement et le résultat du contrôle consigné par écrit.

Utilisation conforme

Utiliser exclusivement ce nettoyeur haute pression

- pour nettoyer au jet basse pression et avec du détergent (par exemple pour le nettoyage de machines, véhicules, bâtiments, outils),
- pour nettoyer au jet haute pression sans détergent (par ex. nettoyage de façades, de terrasses, d'appareils de jardinage).

Pour des salissures tenaces nos recommandons le fraiseur de saleté comme accessoire en option.

Dispositifs de sécurité

Les dispositifs de sécurité ont pour but de protéger l'utilisateur et ils ne doivent donc jamais être désactivés ni évités.

Clapet de décharge avec pressostat

En cas de réduction de la quantité d'eau avec le réglage de pression/ quantité, la clapet de décharge s'ouvre et une partie de l'eau est évacuée vers le côté aspiration de la pompe.

Si vous relâchez la gâchette, la pompe est éteinte par un manocontacteur, le jet haute pression est interrompu. Si vous appuyez à nouveau sur le levier, la pompe est remise en marche.

Le clapet de dérivation et l'interrupteur de pression sont réglé et plombé par l'usine. Seul le service après-vente est autorisé à effectuer le réglage. Seul le service après-vente est autorisé à procéder aux réglages.

Protection de l'environnement



Les matériaux constitutifs de l'emballage sont recyclables. Ne pas jeter les emballages dans les ordures ménagères, mais les remettre à un système de recyclage.



Les appareils usés contiennent des matériaux précieux recyclables lesquels doivent être apportés à un système de recyclage. Il est interdit de jeter les batteries, l'huile et les substances similaires dans l'environnement. Pour cette raison, utiliser des systèmes de collecte adéquats afin d'éliminer les appareils hors d'usage.

Instructions relatives aux ingrédients (REACH)

Les informations actuelles relatives aux ingrédients se trouvent sous : www.kaercher.com/REACH

Avant la mise en service

Déballage

- Vérifier le contenu du paquet lors de l'ouverture de l'emballage.
- Contactez immédiatement le revendeur en cas d'avarie de transport.

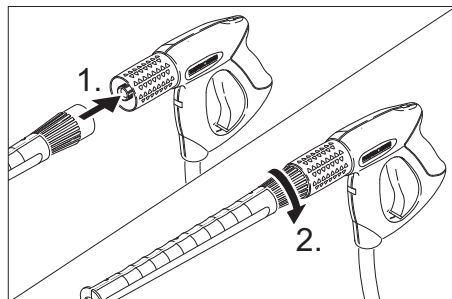
Contrôle du niveau d'huile

- Affichage du niveau d'huile avec l'appareil à l'arrêt. Le niveau d'huile doit reposer au-dessus des deux indicateurs.

Activer la purge du carter d'huile

- Dévisser la vis de fixation du capot et retirer celui-ci.
- Couper la pointe du couvercle du réservoir d'huile.
- Fixer le capot.

Monter la poignée pistolet, la lance et la buse



- Monter la buse sur la lance (marquage sur la bague de butée en haut).
- Relier la lance à la poignée-pistolet.
- Serrer le raccord vissé de la lance à la main.
- Enclencher le crochet de câble dans l'alésage latéral sur la poignée.
- Visser le raccord haute pression en conséquence.

Mise en service

Branchement électrique

⚠ **Danger**

Risque d'électrocution.

Branchement de l'appareil uniquement à du courant alternatif.

L'appareil doit uniquement être raccordé à un branchement électrique mis en service par un électricien conformément à la norme IEC 60364.

La tension indiquée sur la plaque signalétique de l'appareil doit correspondre à celle de la prise.

Protection minimale par fusible de la prise de courant (cf. Données techniques).

L'impédance de réseau maximale admissible au niveau du point de raccordement ne doit en aucun cas être dépassée (voir Caractéristiques techniques). En cas de doute concernant l'impédance de réseau présente sur votre point de raccordement, veuillez vous adresser à l'entreprise responsable de votre alimentation énergétique.

L'appareil doit impérativement être raccordé au secteur avec une fiche électrique. Une connexion au secteur ne pouvant pas être coupée est interdite. La fiche électrique sert à la séparation du secteur.

Vérifier avant chaque utilisation que le câble et la fiche secteur ne sont pas endommagés. Un câble d'alimentation endommagé doit immédiatement être remplacé par le service après-vente ou un électricien agréé.

Les fiches mâles et les raccords des câbles de rallonge utilisés doivent être étanches à l'eau.

Utiliser un câble de prolongation avec une section suffisante (voir "Caractéristiques techniques") et le dérouler complètement de l'enrouleur.

Des rallonges non adaptées peuvent présenter des risques. N'utiliser en plein air que des rallonges homologuées avec une section suffisante:

Données de raccordement, voir plaque signalétique / caractéristiques techniques

Arrivée d'eau

Raccordement à la conduite d'eau

△ Avertissement

Respecter les prescriptions de votre société distributrice en eau.

Selon les directives en vigueur, l'appareil ne doit jamais être exploité sans séparateur système sur le réseau d'eau potable. Utiliser un séparateur système approprié de la Sté. Kärcher® ou en alternative un séparateur système selon EN 12729 type BA. L'eau qui s'est écoulée à travers un séparateur system est classifiée comme non potable.



Attention

Toujours raccorder le séparateur du système au niveau de l'alimentation en eau et jamais directement sur l'appareil!

Pour les valeurs de raccordement, se reporter à la section Caractéristiques techniques.

→ Raccorder la conduite d'alimentation (longueur minimale 7,5 m, diamètre minimum 3/4") au raccord pour l'arrivée d'eau de l'appareil et à l'alimentation en eau (ex. un robinet).

Remarque

La conduite d'alimentation n'est pas comprise dans la livraison.

→ Ouvrir l'alimentation d'eau.

Aspiration d'eau depuis des réservoirs ouverts

→ Visser le flexible d'aspiration avec le filtre (n° de commande 4.440-238.0) sur la prise d'eau.

→ Purge d'air de l'appareil :
Dévisser l'injecteur.

Laisser l'appareil en route jusqu'à l'eau sorte sans faire de bulles.

- Arrêter l'appareil et dévisser de nouveau l'injecteur.

Utilisation

⚠ **Danger**

Risque de blessure ! Ne jamais utiliser l'appareil si la lance n'est pas montée. Contrôler avant chaque utilisation la bonne fixation de la lance. Le raccord vissé de la lance doit être serré à la main. Risque d'explosion ! Ne pas pulvériser de liquides inflammables.

Si l'appareil est utilisé dans des zones de danger (par exemple des stations essence), il faut tenir compte des consignes de sécurité correspondantes.

⚠ **Avertissement**

Nettoyer les moteurs uniquement à des endroits équipés des séparateurs d'huile nécessaires (protection de l'environnement).

Fonctionnement à haute pression

Remarque

L'appareil est équipé d'un mano contacteur. Le moteur ne démarre que lorsque le levier du pistolet est tiré.

- Régler l'interrupteur principal sur "I". Le témoin de contrôle s'allume (vert).
- Décrochez le pistolet de giclage à main et tirer le levier du pistolet.

⚠ **Danger**

Lors du réglage de la régulation de quantité/de pression, veiller que le raccord vissé de la lance ne se desserre pas.

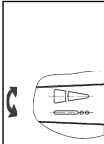
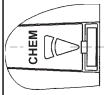
- Régler (+/-) la pression de service et le débit en tournant (en continu) le dispositif régulateur de pression et de quantité.

- Avec les débits réduits, la chaleur émise par le moteur assure un réchauffement de l'eau d'env. 15° C.

Choisir le type de jet

- Fermer la poignée-pistolet.
- Tourner le logement de la buse jusqu'à ce que le symbole désiré corresponde avec le marquage :
- Sélectionner jet bâton ou jet plat, commutant sans toucher:
Tourner le tube en acier orienté à env. 45° vers le bas vers la droite ou vers la gauche.

Signification des symboles

	Jet plat à haute pression (25°) pour des salissures sur des grandes surfaces
	Jet bâton à haute pression (0°) pour des salissures très tenaces
	Jet plat à basse pression (CHEM) pour le service avec détergent ou nettoyer avec une pression basse

Fonctionnement avec détergent

⚠ **Avertissement**

Des détergents peu appropriés peuvent endommager l'appareil et l'objet pour nettoyer. Utiliser uniquement des détergents qui sont validés par Kärcher. Respecter les consignes et recommandations de dosage jointes aux détergents. Protéger l'environnement en utilisant le détergent avec parcimonie.

Respecter les consignes de sécurité figurant sur les détergents.

Des détergents de Kärcher garantissent un travail sans défauts. Veuillez-vous conseiller ou demander notre catalogue ou notre bulletins d'information sur des produits de nettoyage.

- Remplir le réservoir de détergent.
- Placer l'injecteur sur la position "CHEM".
- Régler le clapet de dosage du détergent sur la concentration souhaitée.

Concentration du détergent [%] (avec le débit max.)

Réglage de la soupape de dosage	1	3	5	7
Concentration de détergent [%] (avec le débit max.)	0,5	2,5	5,0	7,0

Méthode de nettoyage conseillée

- Pulvériser le détergent sur la surface sèche et laisser agir sans toutefois le laisser sécher complètement.
- Ôter les salissures décollées à l'aide du jet haute pression.
- Après utilisation, plonger le filtre dans de l'eau claire. Tourner la valve de dosage sur la concentration en détergent la plus élevée. Démarrer l'appareil et rincer à l'eau claire pendant une minute.

Interrompre le fonctionnement

- Relâcher le levier de la poignée-pistolet, l'appareil se met hors service.
- Tirer de nouveau sur le levier de la poignée-pistolet, l'appareil se remet en service.

Durée de disponibilité

L'appareil démarre avec l'ouverture de la poignée pistolet pendant la période de disponibilité. Le témoin de contrôle s'allume en vert.

Si la poignée pistolet reste fermée pendant 30 minutes, la période de disponibilité s'arrête. La lampe témoin clignote en vert.

Réinitialiser la durée de disponibilité

- Mettre l'interrupteur principal sur "0".
- Attendre quelques secondes.
- Régler l'interrupteur principal sur "I".

L'appareil peut être basculé en fonctionnement continu par le service après-vente.

Mise hors service de l'appareil

- Mettre l'interrupteur principal sur "0".
- Retirer la fiche secteur de la prise de courant.
- Couper l'alimentation en eau.
- Actionner la poignée-pistolet jusqu'à ce que l'appareil soit hors pression.
- Actionner le cran de sûreté de la poignée-pistolet pour sécuriser le pistolet contre un déclenchement intempestif.

⚠ Danger

Risque de brûlure provoquée par l'eau chaude . lorsque l'appareil est hors service, l'eau résiduelle contenue peut se réchauffer. Lors de l'enlèvement du tuyau de l'arrivée d'eau, l'eau réchauffée peut être projetée et provoquer des ébouillancements. Retirer tout d'abord le tuyau lorsque l'appareil a refroidi.

Ranger l'appareil

- Enfiler la poignée-pistolet dans le support.
- Enrouler le flexible haute pression et l'accrocher sur la dépose du flexible.
- Enrouler le câble d'alimentation autour de l'attache-câbles.

Protection antigel

⚠ **Avertissement**

Le gel peut endommager l'appareil si l'eau n'a pas été intégralement vidée.
Conserver l'appareil dans un lieu à l'abri du gel.

Si un entreposage à l'abri du gel n'est pas possible :

- Vidanger le réservoir de détergent (voir "Maintenance et entretien/si nécessaire").
- Purger l'eau.
- Pomper produit antigel d'usage par l'appareil.

Remarque

utiliser un produit antigel courant pour automobile à base de glycol.

Respecter les consignes d'utilisation du fabricant du produit antigel.

- Faire tourner l'appareil au max. 1 minute jusqu'à ce que la pompe et les conduites soient entièrement vides.

Transport

Attention

Risque de blessure et d'endommagement ! Respecter le poids de l'appareil lors du transport.

- Pour transporter l'appareil sur de plus longues distances, le tirer derrière soi au moyen du manche de poussée.

- Vidanger le réservoir de détergent avant un transport en position allongée.
- Sécuriser l'appareil contre les glissements ou les basculements selon les directives en vigueur lors du transport dans des véhicules.

Entreposage

Attention

Risque de blessure et d'endommagement ! Prendre en compte le poids de l'appareil à l'entreposage.

Cet appareil doit uniquement être entreposé en intérieur.

Entretien et maintenance

⚠ **Danger**

Risque de blessure et de choc électrique par un démarrage inopiné de l'appareil.

Avant d'effectuer tout type de travaux sur l'appareil, le mettre hors service et débrancher la fiche électrique.

Remarque

L'huile usagée doit impérativement être éliminée auprès d'un point de collecte compétent. Y apporter l'huile usagée. L'huile usagée est polluante. Toute élimination incorrecte est passible d'une amende.

Inspection de sécurité/Contrat d'entretien

Vous pouvez accorder avec votre commerçant une inspection de sécurité régulière ou passer un contrat d'entretien. Conseillez-vous.

Avant chaque mise en service

- Contrôler que le câble d'alimentation n'est pas endommagé (risque de choc électrique), faire remplacer

immédiatement tout câble d'alimentation endommagé par un service après-vente autorisé/un électricien spécialisé.

- Vérifier le tuyau à haute pression s'il est endommagé (danger d'éclatement).

Un flexible haute pression endommagé doit immédiatement être remplacé.

- Vérifier l'étanchéité de l'appareil (pompe).
3 gouttes d'eau par minute sont admissibles et peuvent s'écouler au côté inférieure de l'appareil. En cas de non étanchéité plus forte, adressez-vous au Centre de Service Après-vente.

Hebdomadairement

- Vérifier le niveau d'huile Si l'huile est laiteuse (eau dans l'huile), adressez-vous immédiatement au Centre de Service Après-vente.
- Nettoyer le filtre fin.
Mettre l'appareil hors pression.
Dévisser la vis de fixation du capot et retirer celui-ci.
Dévisser le couvercle et le filtre.
Nettoyer le filtre à l'eau propre ou à l'air comprimé.
Remonter en suivant les étapes dans l'ordre inverse.
- Nettoyer le filtre situé sur le tuyau d'aspiration de détergent.

Annuellement ou après 500 heures de service

- Remplacer l'huile.

Vidange d'huile

Remarque

Quantités et sortes d'huiles, voir les "Caractéristiques techniques".

- Dévisser la vis de fixation du capot et retirer celui-ci.
- Dévisser la vis de vidange à l'avant sur le logement moteur.
- Vider l'huile dans la cuvette de récupération.
- Visser le bouchon de vidange d'huile.
- Remplir lentement la nouvelle huile ; les bulles d'air doivent s'échapper.
- Apporter le couvercle du réservoir d'huile.
- Fixer le capot.

Si nécessaire

- Vider et nettoyer le réservoir de détergent.
Tirer le couvercle de fermeture pour le réservoir de détergent avec le tuyau d'aspiration.
Disposer l'appareil sur le côté arrière.
Vider et nettoyer le réservoir de détergent.

Assistance en cas de panne

⚠ **Danger**

Risque de blessure et de choc électrique par un démarrage inopiné de l'appareil.

Avant d'effectuer tout type de travaux sur l'appareil, le mettre hors service et débrancher la fiche électrique.

Seul le service après-vente autorisé est habilité à contrôler et réparer les composants électriques.

S'il se produit des défauts qui ne sont pas répertoriés dans ce chapitre, en cas de doute ou si cela est explicitement indiqué, s'adresser à un service après-vente autorisé.

Lampe témoin

La lampe témoin affiche les états de service (vert) et les défauts (rouge).

Retourner:

- Mettre l'interrupteur principal sur "0".
- Attendre quelques secondes.
- Régler l'interrupteur principal sur "I".

Indicateur de l'état de service

- Lumière permanente verte:
L'appareil est en service.
- 1 clignotement vert :
La disponibilité opérationnelle expire après 30 minutes.
L'appareil s'arrête après 30 minutes de fonctionnement permanent (sécurité en cas de tuyau à haute pression éclaté).

Affichage des défauts

- 1 clignotement rouge :
Le côté à haute pression fuit.
Vérifier le tuyau à haute pression, les raccords pour tuyau et la poignée-pistolet à l'étanchéité.

- 2 clignotement rouge :
Moteur trop chaud.
Mettre l'interrupteur principal sur "0".
Laisser refroidir l'appareil.
Régler l'interrupteur principal sur "I".
- 3 clignotement rouge :
Défaut dans l'alimentation électrique.
Vérifier l'alimentation électrique et les fusibles.
- 4 clignotement rouge :
Le courant absorbé est trop grand.
Adresser au Centre de Service Après-vente.

L'appareil ne fonctionne pas

- La durée de disponibilité est expirée.
La lampe témoin clignote en vert.
Arrêter et redémarrer le sectionneur général.
- Contrôler que le câble de raccordement n'est pas endommagé.
- En cas de défaut électrique, consulter le service après-vente.

L'appareil ne monte pas en pression

- Placer l'injecteur sur la position "Haute pression".
- Nettoyer/échanger l'injecteur.
- Nettoyer le filtre fin, le remplacer si nécessaire.
- Purger l'air de l'appareil (voir "Mise en service").
- Contrôler le débit de l'alimentation en eau (voir la section Caractéristiques techniques).
- Vérifier toutes les conduites d'alimentation vers la pompe.
- Si nécessaire, visiter le service après-vente.

La pompe fuit

3 gouttes d'eau par minute sont admissibles et peuvent s'écouler au côté inférieure de l'appareil. En cas de non étanchéité plus forte, adressez-vous au Centre de Service Après-vente.

- En cas de fuite plus importante, faire vérifier l'appareil par le service après-vente.

La pompe frappe

- Vérifier les conduites d'aspiration de l'eau et de détergent par rapport à une perte d'étanchéité.
- Purger l'air de l'appareil (voir "Mise en service").
- Nettoyer le filtre fin.
- Si nécessaire, visiter le service après-vente.

Le détergent n'est pas aspirée

- Placer l'injecteur sur la position "CHEM".
- Vérifier/nettoyer le flexible d'aspiration du détergent avec filtre.
- Nettoyer/échanger la clapet de retenue à la butée du flexible d'aspiration du détergent.
- Ouvrir ou vérifier/nettoyer le doseur du détergent.
- Nettoyer l'alésage de ventilation du réservoir de détergent dans le logement.
- Si nécessaire, visiter le service après-vente.

Pièces de rechange

- Utiliser uniquement des accessoires et des pièces de rechange autorisés par le fabricant. Des accessoires et des pièces de rechange d'origine garantissent un fonctionnement sûr et parfait de l'appareil.
- Une sélection des pièces de rechange utilisées le plus se trouve à la fin du mode d'emploi.
- Plus information sur les pièces de rechange vous les trouverez sous www.kaercher.com sous le menu Service.

Garantie

Dans chaque pays, les conditions de garantie en vigueur sont celles publiées par notre société de distribution responsable. Les éventuelles pannes sur l'appareil sont réparées gratuitement dans le délai de validité de la garantie, dans la mesure où celles-ci relèvent d'un défaut matériel ou d'un vice de fabrication. En cas de recours en garantie, adressez-vous à votre revendeur ou au service après-vente agréé le plus proche munis de votre preuve d'achat.

Caractéristiques techniques

Raccordement au secteur		
Tension	V	440...460
Type de courant	Hz	3~ 60
Puissance de raccordement	HP	10
Protection (à action retardée, carat. C)	A	16
Type de protection		IPX5
Impédance du circuit maximale admissible	Ohms	(0,145+j0,090)
Rallonge 10 m	mm ²	2.5
Rallonge 30 m	mm ²	4
Arrivée d'eau		
Température d'alimentation (max.)	°F	140
Débit d'alimentation (min.)	gpm	5.3
Hauteur d'aspiration à partir du réservoir ouvert (20 °C)	m	0.5
Pression d'alimentation (max.)	psi	145
Performances		
Pression de service	psi	435...3190
Taille d'injecteur		055
Pression de service max.	psi	3480
Débit	gpm	2.2...4.5
Aspiration de détergent	gpm	0...0.3
Force de réaction max. de la poignée-pistolet	N	62
Valeurs déterminées selon EN 60355-2-79		
Valeur de vibrations bras-main		
Poignée-pistolet	m/s ²	<2.5
Lance	m/s ²	<2.5
Incertitude K	m/s ²	0.3
Niveau de pression sonore L _{pA}	dB(A)	72
Incertitude K _{pA}	dB(A)	2
Niveau de pression sonore L _{WA} + incertitude K _{WA}	dB(A)	87
Carburants		
Quantité d'huile	l	1.2
Types d'huile		SAE 90
Dimensions et poids		
Longueur	mm	560
Largeur	mm	500
Hauteur	mm	1090
Poids de fonctionnement typique	kg	62
Contenu du réservoir de détergent.	l	6

INSTRUCCIONES IMPORTANTES DE SEGURIDAD

⚠ **ADVERTENCIA**

Al utilizar este producto, tome siempre las precauciones básicas, incluidas las siguientes:

- 1 Lea todas las instrucciones antes de usar el producto.
- 2 Los aparatos a alta presión pueden resultar peligrosos si se usan de forma incorrecta. No se debe dirigir el aparato a personas, animales, dispositivos eléctricos o la equipo mismo.
- 3 Para reducir el riesgo de lesiones, es preciso vigilar atentamente si se usa el producto cerca de niños.
- 4 Es necesario saber cómo parar rápidamente el producto y parar hemorragias. Estar familiarizado con los mandos.
- 5 Estar atento, prestar atención a lo que se está haciendo.
- 6 Utilizar gafas de seguridad.
- 7 No usar ácidos, alcalinos, disolventes, o cualquier material inflamable con este producto. Estos productos pueden causar heridas físicas al operario y daños irreparables a la máquina.
- 8 No ponga en funcionamiento el producto si está cansado o está bajo la influencia de alcohol o drogas.
- 9 No sobrecargar o colocar sobre un soporte inestable. Mantener el equilibrio en todo momento.
- 10 Para reducir el riesgo de electrocución, mantenga todas las conexiones secas y alejadas del suelo. No toque el enchufe con las manos mojadas.
- 11 El seguro del gatillo de la pistola evita que el gatillo salte de forma in-

voluntaria. El dispositivo de seguridad NO bloquea el gatillo en la posición ON (encendido).

- 12 Mantenga la zona de trabajo libre de personas.
- 13 Seguir las instrucciones de mantenimiento especificadas en el manual.
- 14 Riesgo de inyección o lesiones; no dirija el chorro directamente a personas.

Este producto debe conectarse sólo a una caja de fuente de alimentación protegida mediante un interruptor de circuito de falta de tierra.

INSTRUCCIONES DE PUESTA A TIERRA

Este producto se tiene que poner a tierra. Si funcionase mal o si se rompiese, la puesta a tierra proporcionaría un circuito menos resistente a la energía eléctrica para reducir el riesgo de electrochoque. Este producto está equipado con un cable que tiene un conductor a tierra y un enchufe a tierra para el equipo. El enchufe se tiene que enchufar a un tomacorriente adecuado, que esté correctamente instalado y puesto a tierra conforme a todas las normas y reglamentos locales.

⚠ **PELIGRO**

Si la conexión del conductor a tierra del equipo es incorrecta puede existir riesgo de electrochoque. En caso de duda, compruebe con ayuda de un electricista cualificado o del personal del servicio técnico que el tomacorriente está correctamente puesto a tierra. No modifique el enchufe proporcionado con el producto; si no encaja en el tomacorriente, pida a un electricista cualificado que le instale un tomacorriente adecuado. No utilice ningún tipo de adaptador con este producto.

PROTECCIÓN MEDIANTE INTERRUPTOR DE CIRCUITO DE AVERÍA POR PUESTA A TIERRA

Para cumplir con el National Electrical Code (NFPA 70) y para procurar una protección adicional contra el riesgo de descarga eléctrica, este lavador a presión debería conectarse sólo a una caja que esté protegida mediante un interruptor de circuito de falta de tierra (GFCI).

CABLES PROLONGADORES

Use sólo cables prolongadores de 3 hilos que dispongan de clavijas de 3 puntas, del tipo puesta a tierra, y conectores de 3 polos que acepten la toma del producto. Use sólo cables prolongadores diseñados para uso en exteriores. Estos cables prolongadores están identificados por la leyenda "Apto para su uso con aparatos de exterior: guárdelos bajo techo siempre que no los use". Use sólo cables prolongadores que tengan una clasificación eléctrica igual o superior a la clasificación del producto. No use cables prolongadores dañados. Examine el cable prolongador antes de usarlo y, si está dañado, reemplácelo. No haga un mal uso del cable prolongador y no tire del cable para desconectarlo. Mantenga el cable alejado de fuentes de calor y de bordes cortantes. Desconecte siempre el cable prolongador de la caja antes de desconectar el producto del cable prolongador.

△ ADVERTENCIA

Para reducir el riesgo de electrocución, mantenga todas las conexiones secas y alejadas del suelo. No toque el enchufe con las manos mojadas.

△ ADVERTENCIA

Para reducir el riesgo de fuegos, descarga eléctrica o lesiones:

Riesgo de inyección: el equipo puede causar graves lesiones si el spray penetra en la piel. No dirija la pistola hacia nadie ni a ninguna parte del cuerpo. En caso de penetración, busque ayuda médica de inmediato.

Este sistema está en capacidad de producir 25000 kPa. Para prevenir daños materiales o lesiones, no operar esta bomba con componentes que tengan un rendimiento de presión de trabajo menor a 25000 kPa (incluyendo, pero no solamente, rociadores de pistola, mangueras y conexiones de mangueras).

Antes de usar, limpiar o quitar cualquier pieza, desconecte el fluido eléctrico y libere presión.

Alta presión. Manténgase lejos de la boquilla.

Cierre la cubierta antes de operar con la máquina.

Si la conexión se hace con un sistema de agua potable, se debe proteger el sistema contra reflujo.

Este aparato está diseñado para uso comercial.

No pulverice sobre ningún aparato o cable eléctrico.

Esta máquina ha sido diseñada para su uso con los agentes químicos de limpieza provistos o recomendados por el fabricante. El uso de otros agentes químicos de limpieza puede afectar al funcionamiento de la máquina y extinguir la garantía.

CONSERVE ESTAS INSTRUCCIONES!



Antes del primer uso de su aparato, lea este manual original, actúe de acuerdo a sus indicaciones y guárdelo para un uso posterior o para otro propietario posterior.

Índice de contenidos

Elementos del aparato	ES . . . 3
Indicaciones de seguridad	ES . . . 3
Uso previsto	ES . . . 4
Dispositivos de seguridad	ES . . . 4
Protección del medio ambiente	ES . . . 5
Antes de la puesta en marcha	ES . . . 5
Puesta en marcha	ES . . . 5
Manejo	ES . . . 7
Transporte	ES . . . 9
Almacenamiento	ES . . . 9
Cuidados y mantenimiento	ES . . . 9
Ayuda en caso de avería	ES . . . 10
Piezas de repuesto	ES . . . 12
Garantía	ES . . . 12
Datos técnicos	ES . . . 13

Elementos del aparato

véase contraportada

- 1 Pistola pulverizadora manual
- 2 Palanca de la pistola pulverizadora manual
- 3 Manguera de alta presión
- 4 Soporte para los accesorios
- 5 Válvula dosificadora de detergente
- 6 Tapa de cierre para el depósito de detergente
- 7 Depósito de detergente
- 8 Manguera de detergente con filtro
- 9 Tornillo de fijación del capó del aparato
- 10 Interruptor del aparato
- 11 Capó del aparato
- 12 Manómetro
- 13 Conexión de alta presión
- 14 Soporte para boquillas

- 15 Conexión de agua
- 16 filtro de depuración fina
- 17 Indicador del nivel de aceite
- 18 Recipiente de aceite
- 19 Piloto de control de estado de funcionamiento / avería
- 20 Soporte para manguera
- 21 Ventilación depósito de detergente
- 22 Compartimento para los accesorios
- 23 Portacables
- 24 asidero
- 25 boquilla
- 26 Marca de la boquilla
- 27 Lanza dosificadora
- 28 Regulación de presión/cantidad
- 29 Palanca de seguro

Identificación por colores

- Los elementos de control para el proceso de limpieza son amarillos.
- Los elementos de control para el mantenimiento y el servicio son de color gris claro.

Indicaciones de seguridad

- ¡Antes de la primera puesta en marcha lea sin falta las instrucciones de uso y las instrucciones de seguridad n.º 5.951-949.0!
- Respetar las normativas vigentes nacionales correspondientes para eyectores de líquidos.
- Respetar las normativas vigentes nacionales correspondientes de prevención de accidentes. Los eyectores de líquidos deben ser examinados regularmente y tiene que guardarse una copia escrita de la revisión.

Símbolos del manual de instrucciones

⚠ Peligro

Para un peligro inminente que acarrea lesiones de gravedad o la muerte.

⚠ Advertencia

Para una situación que puede ser peligrosa, que puede acarrear lesiones de gravedad o la muerte.

Precaución

Para una situación que puede ser peligrosa, que puede acarrear lesiones leves o daños materiales.

Símbolos en el aparato



Los chorros a alta presión pueden ser peligrosos si se usan indebidamente. No dirija el chorro hacia personas, animales o equipamiento eléctrico activo, ni apunte con él al propio aparato.



De acuerdo con las normativas vigentes, está prohibido utilizar el aparato sin un separador de sistema en la red de agua potable. Se debe utilizar un separador de sistema apropiado de la empresa Kärcher o, alternativamente, un separador de sistema que cumpla la norma EN 12729 tipo BA.

El agua que haya pasado por un separador del sistema será catalogada como no potable.

Indicaciones de seguridad

- Respetar las normativas vigentes nacionales correspondientes para eyectores de líquidos.
- Respetar las normativas vigentes nacionales correspondientes de prevención de accidentes. Los eyectores de líquidos deben ser examinados regularmente y tiene que guardarse una copia escrita de la revisión.

Uso previsto

Utilizar exclusivamente esta limpiadora a presión

- la limpieza con chorros a baja presión y detergente (p. ej., limpieza de máquinas, vehículos, edificios, herramientas),
- para limpiar con el chorro a alta presión sin detergente (p. ej. limpieza de fachadas, terrazas, herramientas de jardinería).

Recomendamos que use la fresadora de suciedad para la suciedad más resistente.

Dispositivos de seguridad

La función de los dispositivos de seguridad es proteger al usuario y está prohibido ponerlos fuera de servicio y modificar o ignorar su funcionamiento.

Válvula de derivación con presostato


Al reducir la cantidad de agua con la regulación de presión y caudal se abre la válvula de rebose y una parte del agua refluye al lado de succión de la bomba.


Cuando se suelta la palanca de la pistola pulverizadora manual, un presostato desconecta la bomba y el chorro de alta presión se para. Cuando se acciona la palanca, se conecta la bomba nuevamente.

La válvula de derivación y el presostato viene configurados y precintados de fábrica. El ajuste lo debe realizar solamente el servicio postventa.

Los ajustes los deben realizar solamente el servicio postventa.

Protección del medio ambiente

 Los materiales de embalaje son reciclables. Por favor, no tire el embalaje a la basura doméstica; en vez de ello, entréguelo en los puntos oficiales de recogida para su reciclaje o recuperación.

 Los aparatos viejos contienen materiales valiosos reciclables que deberán ser entregados para su aprovechamiento posterior. Evite el contacto de baterías, aceites y materias semejantes con el medioambiente. Por este motivo, entregue los aparatos usados en los puntos de recogida previstos para su reciclaje.

Indicaciones sobre ingredientes (REACH)

Encontrará información actual sobre los ingredientes en:

www.kaercher.com/REACH

Antes de la puesta en marcha

Desembalar

- Comprobar el contenido del paquete al desembalar.
- En caso de daños de transporte informe inmediatamente al fabricante.

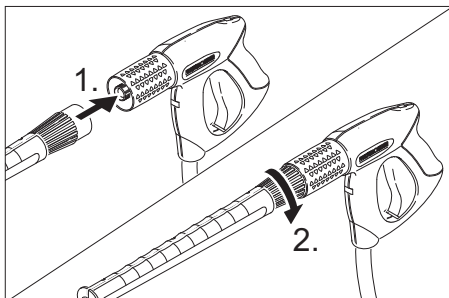
Controle el nivel de aceite

- ➔ Leer el indicador de nivel de aceite con el aparato parado. El nivel de aceite tiene que estar por encima de ambas agujas.

Activar la ventilación del recipiente de aceite

- ➔ Extraer el tornillo de fijación del capó del aparato, retirar el capó.
- ➔ Cortar la punta de la tapa del depósito de aceite.
- ➔ Fijar el capó del aparato.

Montar la pistola pulverizadora manual, la lanza dosificadora y la boquilla



- ➔ Monte la boquilla en la lanza dosificadora (la marca del aro de apoyo tiene que estar arriba).
- ➔ Conectar la lanza dosificadora con la pistola pulverizadora manual.
- ➔ Apretar con la mano la rosca de la lanza dosificadora.
- ➔ Encajar el gancho de cable en el orificio lateral del asa.
- ➔ Enroscar la conexión de alta presión según corresponda.

Puesta en marcha

Conexión eléctrica

Peligro

Peligro de lesiones por descarga eléctrica.

Conecte el aparato únicamente a corriente alterna.

El aparato sólo debe estar conectado a una conexión eléctrica que haya sido realizada por un electricista de conformidad con la norma CEI 60364.

La tensión de la fuente de corriente tiene que coincidir con la indicada en la placa de características.

Protección mínima por fusible de la toma de corriente (vea los datos técnicos).

Conexión de agua

La impedancia de red máxima permitida en el punto de conexión eléctrica (véanse los datos técnicos) no debe ser excedida. En caso de confusión respecto a la impedancia de red existente en su punto de conexión, póngase en contacto con la empresa que le suministra la energía.

Es imprescindible que el aparato esté conectado con un enchufe a la red eléctrica. Está prohibido establecer una conexión no separable con la red eléctrica. El enchufe sirve para poder desconectarse de la red.

Antes de cada puesta en servicio, compruebe si el cable de conexión y el enchufe de red presentan daños. Si el cable de conexión estuviera deteriorado, debe encargar sin demora a un electricista especializado del servicio de atención al cliente autorizado que lo sustituya.

El enchufe y el acoplamiento del cable de prolongación utilizado tienen que ser impermeables.

Utilizar un alargador con suficiente corte transversal (véase "Datos técnicos") y enrollar desde la parte delantera del tambor del cable.

El uso de cables de prolongación inadecuados puede resultar peligroso. Para el exterior, utilice sólo cables de prolongación autorizados expresamente para ello, adecuadamente marcados y con una sección de cable suficiente:

Valores de conexión: véase la placa de características/datos técnicos.

Conexión a la toma de agua

⚠ Advertencia

Tenga en cuenta las normas de la empresa suministradora de agua. De acuerdo con las normativas vigentes, está prohibido utilizar el aparato sin un separador de sistema en la red de agua potable. Se debe utilizar un separador de sistema apropiado de la empresa KÄRCHER o, alternativamente, un separador de sistema que cumpla la norma EN 12729 tipo BA. El agua que haya pasado por un separador del sistema será catalogada como no potable.



Precaución

Conectar el separador del sistema siempre a la toma de agua, nunca directamente al aparato!

Valores de conexión, ver datos técnicos.

- Conectar la tubería de abastecimiento (largo mín. 7,5m, diámetro mín. 3/4") a la conexión de agua del aparato y a la alimentación de agua (como el grifo).

Nota

La tubería de abastecimiento de agua no está incluida en el volumen de suministro.

- Abrir el suministro de agua.

Aspiración del agua de depósitos abiertos

- Atornille la manguera de aspiración con filtro (nº referencia 4.440-238.0) a la conexión del agua.
- Purgar el aire del aparato:
Desenroscar la boquilla.
Dejar funcionar el aparato hasta que salga el agua sin burbujas.
- Desconecte el aparato y vuelva a atornillar la boquilla.

Manejo

⚠ Peligro

Peligro de lesiones No utilizar el aparato nunca sin la lanza dosificadora sin montar. Comprobar que la lanza dosificadora está bien colocada antes de cada uso. La rosca de la lanza dosificadora debe estar bien apretada con la mano.

Peligro de explosiones

No pulverizar ningún líquido inflamable.

Para usar el aparato en zonas con peligro de explosión (p. ej., gasolineras) son de obligado cumplimiento las normas de seguridad correspondientes.

⚠ Advertencia

Limpiar los motores sólo en las zonas con el separador de aceite correspondiente (protección del medio ambiente).

Funcionamiento con alta presión

Nota

El aparato está equipado con un prestatato. El motor sólo se pone en marcha cuando se ha accionado el gatillo de la pistola.

→ Colocar el interruptor principal en la posición "I".

El piloto de control se ilumina en verde.

→ Desbloquear la pistola pulverizadora manual y tirar de la palanca de la pistola.

⚠ Peligro

Al ajustar la regulación de presión y caudal procurar que no se suelte la rosca de la lanza dosificadora.

→ Ajustar la presión de trabajo y el caudal girando (con progresión

continua) (+/-) el regulador de presión y caudal.

→ *Cuando se transporte una cantidad mínima, el calor del motor se encarga de calentar el agua a aprox. 15 °C.*

Selección del tipo de chorro

→ Cerrar la pistola de pulverización manual.

→ Girar la carcasa de la boquilla hasta que coincida en símbolo deseado con la marca:

→ Elija entre chorro circular o chorro plano cambiando sin contacto. Girar hacia la izquierda o derecha la lanza dosificadora orientada 45° hacia abajo.

Significado de los símbolos

	Chorro plano de alta presión (25°) para áreas sucias muy amplias.
	Chorro circular de alta presión (0°) para suciedad especialmente resistente
	Chorro plano de baja presión (CHEM) para el uso con detergentes o para limpiar a una tensión baja.

Funcionamiento con detergente

⚠ Advertencia

Todos aquellos detergentes inadecuados podrán dañar el aparato y el objeto a limpiar. Utilizar sólo detergentes que hayan sido autorizados por Kärcher. Tenga en cuenta la dosis recomendada y las indicaciones que incluyen los detergentes. Utilice los detergentes con moderación para no perjudicar el medio ambiente.

Tener en cuenta las indicaciones de seguridad de los detergentes.

Los detergentes Kärcher aseguran un funcionamiento sin averías. Solicite el asesoramiento oportuno o pida nuestro catálogo o nuestra hoja informativa sobre detergentes.

- Llenar el depósito de detergente.
- Coloque la boquilla en la posición "CHEM".
- Coloque la válvula de dosificación del detergente en la concentración deseada.

Concentración de detergente [%] (para el caudal máx.)

Posición válvula dosificadora	1	3	5	7
Concentración de detergente [%] (a máx. caudal)	0,5	2,5	5,0	7,0

Método de limpieza recomendado

- Rocíe la superficie seca con detergente y déjelo actuar pero sin dejar que se seque.
- Aplique el chorro de agua a alta presión sobre la suciedad disuelta para eliminarla.
- Tras el funcionamiento, introducir el filtro en agua limpia. Girar la válvula dosificadora a la concentración máxima de detergente. Arrancar el aparato y enjuagar durante un minuto.

Interrupción del funcionamiento

- Soltar la palanca de la pistola pulverizadora manual, el aparato se apaga.
- Tirar de nuevo de la palanca de la pistola pulverizadora manual, el aparato se enciende de nuevo.

Tiempo de disponibilidad

Durante el tiempo de disponibilidad el aparato se inicia al abrir la pistola pulverizadora manual. El piloto de control se ilumina en verde.

Si la pistola pulverizadora manual permanece 30 minutos cerrada, se termina el tiempo de disponibilidad. El piloto de control parpadea en verde.

Restablecer tiempo de disponibilidad

- Colocar el interruptor principal en la posición "0".
- Espere un poco.
- Colocar el interruptor principal en la posición "I".

El aparato puede ser reajustado a modo continuo por el servicio técnico.

Desconexión del aparato

- Colocar el interruptor principal en la posición "0".
- Saque el enchufe de la toma de corriente.
- Cerrar el abastecimiento de agua.
- Poner en funcionamiento la pistola pulverizadora manual hasta que no quede presión en el aparato.
- Accionar la palanca de seguridad de la pistola pulverizadora manual, para asegurar la pistola para que no se active involuntariamente.

⚠ Peligro

Peligro de escaldamiento por agua caliente. Si el recipiente desconectado contiene agua residual, esta se puede calentar. Al retirar la manguera de alimentación de agua, el agua calentada puede salpicar y provocar escaldamientos. Quitar la manguera cuando se haya enfriado el aparato.

Almacenamiento del aparato

- Introducir la pistola pulverizadora manual en el soporte.
- Enrollar la manguera de alta presión y colgar sobre el soporte de manguera.
- Enrollar el cable de conexión alrededor del soporte de cable.

Protección antiheladas

⚠ **Advertencia**

El hielo deteriora el aparato si éste no se ha vaciado por completo de agua. Coloque el aparato en un lugar a salvo de las heladas.

Si no es posible el almacenamiento libre de heladas:

- Vaciar el depósito de detergente (véase "Cuidados y mantenimiento/ Si es necesario").
- Dejar salir agua.
- Bombear anticongelante de los habituales en el mercado en el aparato.

Nota

Utilizar anticongelante habitual para automóviles con una base de glicol. Tener en cuenta las instrucciones de uso del fabricante del anticongelante.

- Dejar en marcha el aparato durante 1 minuto como máximo hasta que la bomba y los conductos estén vacíos.

Transporte

Precaución

¡Peligro de lesiones y daños! Respetar el peso del aparato para el transporte.

- Para transportar el aparato por trayectos largos, tire de él mediante el asa.
- Vaciar el depósito de detergente antes de realizar el transporte en horizontal.

- Al transportar en vehículos, asegurar el aparato para evitar que resbale y vuelque conforme a las directrices vigentes.

Almacenamiento

Precaución

¡Peligro de lesiones y daños! Respetar el peso del aparato en el almacenamiento.

Este aparato sólo se puede almacenar en interiores.

Cuidados y mantenimiento

⚠ **Peligro**

Peligro de lesiones causadas por un aparato que se arranque involuntariamente y descarga eléctrica.

Antes de efectuar cualquier trabajo en el aparato, hay que desconectar de la red eléctrica.

Nota

El aceite usado sólo se puede eliminar en los puntos de recogida previstos para ello. Entregue el aceite usado allí. Ensuciar el medio ambiente con aceite usado es ilegal.

Inspección de seguridad/contrato de mantenimiento

Acuerde una inspección regular de seguridad con su distribuidor o cierre un contrato de mantenimiento. Solicite el asesoramiento oportuno.

Antes de cada servicio

- Comprobar si el cable de conexión está dañado (peligro por descarga eléctrica), encargar al servicio técnico/electricista que cambie inmediatamente el cable de conexión dañado.
- Compruebe que no haya daños en la manguera de alta presión (riesgo de estallido).

Si la manguera de alta presión presenta daños, debe sustituirla inmediatamente.

- Comprobar si el aparato (bomba) es estanco.

Está permitido perder 3 gotas de agua por minuto y pueden salir por la parte inferior del aparato. En caso de fuga de mayor envergadura consultar al servicio de atención al cliente.

Todas las semanas

- Comprobar el nivel de aceite. Si el aceite tiene aspecto lechoso (señal de presencia de agua en el aceite) consultar inmediatamente al servicio técnico.
- Limpiar el filtro de depuración fina. Despresurizar el sistema de alta presión. Extraer el tornillo de fijación del capó del aparato, retirar el capó. Desenroscar la tapa con el filtro. Limpiar el filtro con agua limpia o aire comprimido. Montar siguiendo los pasos a la inversa.
- Limpie el filtro en la manguera de aspiración de detergente.

Anualmente o tras 500 lavados

- ha de cambiar el aceite.

Cambio de aceite

Nota

Caudal y tipo de aceite, vea "Datos técnicos".

- Extraer el tornillo de fijación del capó del aparato, retirar el capó.
- Desenrosque el tornillo purgador de aceite de la parte delantera de la carcasa del motor.

- Suelte el aceite en el recipiente colector.
- Enrosque el tornillo purgador de aceite.
- Introducir lentamente aceite nuevo; dejar que salgan las burbujas de aire.
- Colocar la tapa del depósito de aceite.
- Fijar el capó del aparato.

En caso necesario

- Vaciar y limpiar el depósito de detergente. Extraer la tapa de cierre para el depósito de detergente con manguera de aspiración. Colocar el aparato sobre la parte trasera. Vaciar y limpiar el depósito de detergente.

Ayuda en caso de avería

⚠ Peligro

Peligro de lesiones causadas por un aparato que se arranque involuntariamente y descarga eléctrica.

Antes de efectuar cualquier trabajo en el aparato, hay que desconectar de la red eléctrica.

En caso de avería, la reparación de las piezas eléctricas sólo debe efectuarla el servicio técnico autorizado.

En caso de averías que no se mencionen en este capítulo, consulte al servicio técnico oficial en caso de duda y si se indica explícitamente.

piloto de control

El piloto de control muestra los estados de funcionamiento (verde) y averías (rojo).

Restablecer:

- Colocar el interruptor principal en la posición "0".
- Espere un poco.
- Colocar el interruptor principal en la posición "I".

Indicador de estado de funcionamiento

- Luz continua verde:
El aparato está listo para el servicio.
- parpadear 1 vez verde:
La disponibilidad de servicio expira tras 30 minutos.
El aparato se ha apagado tras 30 minutos de funcionamiento continuo (seguridad ante manguera de alta presión reventada).

Indicación de averías

- parpadear 1 vez rojo:
Extremo de alta presión no estanco.
Comprobar la estanqueidad de la manguera de alta presión, de las conexiones de la manguera y pistola pulverizadora manual.
- parpadear 2 veces rojo:
Motor demasiado caliente.
Colocar el interruptor principal en la posición "0".
Deje enfriar el aparato.
Colocar el interruptor principal en la posición "I".
- parpadear 3 veces rojo:
Fallos en la alimentación de tensión.
Comprobar el cable de conexión y los fusibles de red.
- parpadear 4 veces rojo:
Consumo de corriente demasiado alto.
Consultar al servicio de atención al cliente.

El aparato no funciona

- El tiempo de disponibilidad ha expirado. El piloto de control parpadea en verde. Apagar y encender el aparato de nuevo.
- Comprobar los daños del cable de conexión.
- En caso de un defecto eléctrico consultar al servicio de atención al cliente.

El aparato no alcanza la presión necesaria

- Coloque la boquilla en la posición "presión alta".
- Limpie la boquilla o cámbiela
- Limpiar el filtro de depuración fina, si es necesario cambiar.
- Purgar el aparato (véase "Puesta en marcha").
- Verifique la cantidad de abastecimiento de agua (ver datos técnicos).
- Compruebe todos los tubos de abastecimiento hacia la bomba.
- Si es necesario, consultar al servicio de atención al cliente.

La bomba no es estanca

- Está permitido perder 3 gotas de agua por minuto y pueden salir por la parte inferior del aparato. En caso de fuga de mayor envergadura consultar al servicio de atención al cliente.
- En caso de fuga de mayor envergadura deje que el servicio técnico revise el aparato.

La bomba da golpes

- Comprobar la estanqueidad de las tuberías de absorción de agua y detergente.

- Purgar el aparato (véase "Puesta en marcha").
- Limpiar el filtro de depuración fina.
- Si es necesario, consultar al servicio de atención al cliente.

El detergente no se aspira

- Coloque la boquilla en la posición "CHEM".
- Compruebe o limpie la manguera de detergente con filtro.
- Limpie o cambie la válvula de retención en la conexión de la manguera de aspiración del detergente.
- Abra o compruebe o limpie la válvula dosificadora de detergente.
- Limpiar el orificio de ventilación del depósito de detergente de la carcasa.
- Si es necesario, consultar al servicio de atención al cliente.

Piezas de repuesto

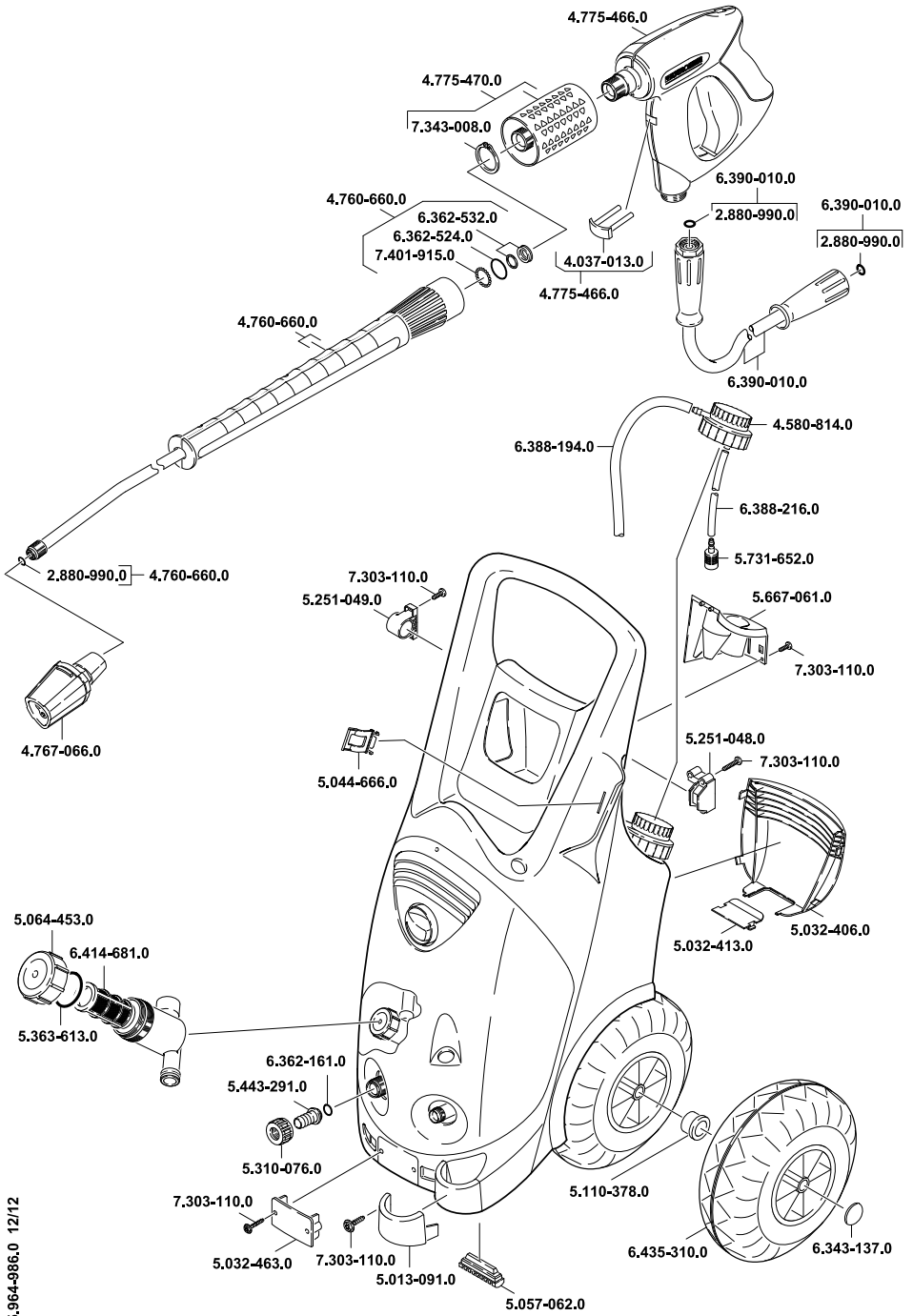
- Sólo deben emplearse accesorios y piezas de repuesto originales o autorizados por el fabricante. Los accesorios y piezas de repuesto originales garantizan el funcionamiento seguro y sin averías del aparato.
- Podrá encontrar una selección de las piezas de repuesto usadas con más frecuencia al final de las instrucciones de uso.
- En el área de servicios de www.kaercher.com encontrará más información sobre piezas de repuesto.

Garantía

En todos los países rigen las condiciones de garantía establecidas por nuestra empresa distribuidora. Las averías del aparato serán subsanadas gratuitamente dentro del periodo de garantía, siempre que se deban a defectos de material o de fabricación. En un caso de garantía, le rogamos que se dirija con el comprobante de compra al distribuidor donde adquirió el aparato o al servicio al cliente autorizado más próximo a su domicilio.

Datos técnicos

Conexión de red		
Tensión	V	440...460
Tipo de corriente	Hz	3~ 60
Potencia conectada	HP	10
Fusible de red (inerte, caro. C)	A	16
Categoría de protección		IPX5
Impedancia de red máxima permitida	Ohm	(0,145+j0,090)
Cable alargador de 10 m	mm ²	2.5
Alargador 30 m	mm ²	4
Conexión de agua		
Temperatura de entrada (máx.)	°F	140
Velocidad de alimentación (mín.)	gpm	5.3
Altura de aspiración desde el depósito abierto (20 °C)	m	0.5
Presión de entrada (máx.)	psi	145
Potencia y rendimiento		
Presión de trabajo	psi	435...3190
Tamaño de la boquilla		055
Sobrepresión de servicio máxima	psi	3480
Caudal	gpm	2.2...4.5
Aspiración de detergente	gpm	0...0.3
Fuerza de retroceso de la pistola pulverizadora manual (máx.)	N	62
Valores calculados conforme a la norma EN 60355-2-79		
Valor de vibración mano-brazo		
Pistola pulverizadora manual	m/s ²	<2.5
Lanza dosificadora	m/s ²	<2.5
Inseguridad K	m/s ²	0.3
Nivel de presión acústica L _{pA}	dB(A)	72
Inseguridad K _{pA}	dB(A)	2
Nivel de potencia acústica L _{WA} + inseguridad K _{WA}	dB(A)	87
Combustibles		
Cantidad de aceite	l	1.2
Tipo de aceite		SAE 90
Medidas y pesos		
Longitud	mm	560
Anchura	mm	500
Altura	mm	1090
Peso de funcionamiento típico	kg	62
Contenido del depósito de detergente	l	6





<http://www.kaercher.com/dealersearch>

