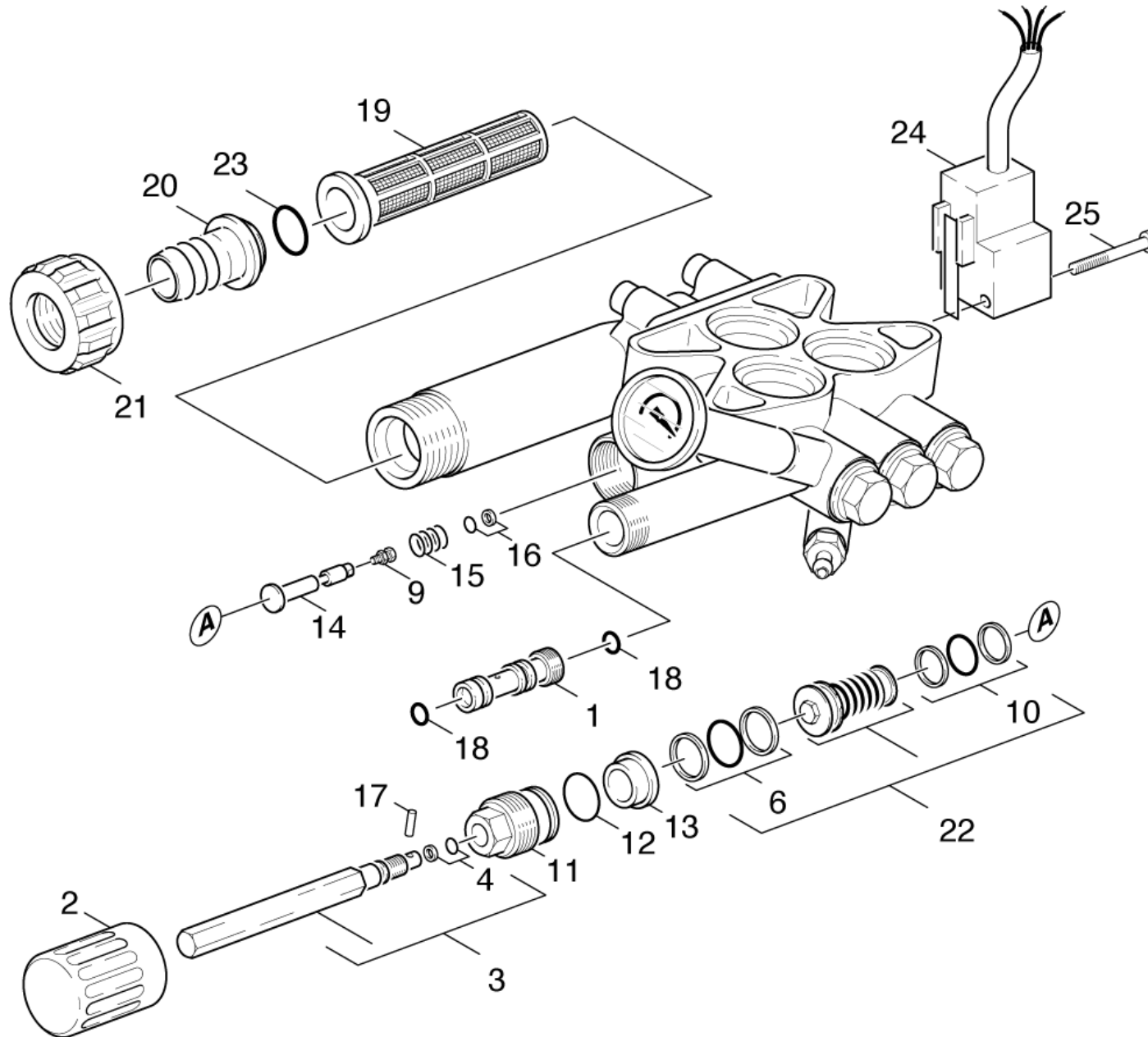


# 23 Cylinder head

Professional \ High pressure cleaner cold water \ Electric motor \ HD 895 S(420V 3PH) \ Spare parts list HD 895 S \ Pump set \ Cylinder head



## 23 Cylinder head

Professional \ High pressure cleaner cold water \ Electric motor \ HD 895 S(420V 3PH) \ Spare parts list HD 895 S \ Pump set \ Cylinder head

**KÄRCHER**

POS	Article no.	Description	Quantity	Unit
1	5.769-137.0	Nozzle insert D1.8/D2.3/L40	1.000	ST
2	5.321-307.0	Handhold	1.000	ST
3	4.291-012.0	Spindle complete	1.000	ST
4	6.362-468.0	O-Ring seal complete 1ST.-R.	1.000	ST
6	6.362-977.0	O-Ring seal complete 2ST.-R.	1.000	ST
9	6.304-134.0	Screw with nut	1.000	ST
10	6.362-450.0	O-Ring seal complete 2ST.-R.	1.000	ST
11	5.583-147.0	Valve screw	1.000	ST
12	6.362-989.0	O-Ring seal 18x2 - NBR 80	1.000	ST
13	5.110-630.0	Sleeve	1.000	ST
14	5.316-792.0	Bolt	1.000	ST
15	5.332-461.0	Helical spring	1.000	ST
16	6.362-587.0	O-Ring seal complete 2,9 -NBR 70	1.000	ST
17	7.314-629.0	Grooved pin 2x10 -A1 ISO 8742	1.000	ST
18	6.362-384.0	O-Ring seal 9x1,5 - NBR 70	2.000	ST
19	5.731-581.0	Water filter	1.000	ST
20	5.443-291.0	Hose stem	1.000	ST
21	5.310-076.0	Nut	1.000	ST
22	4.580-318.0	Excess-current complete only for replace	1.000	ST
23	6.362-161.0	O-Ring seal 19,3 X 2,4	1.000	ST
24	6.635-323.0	2-Phases-Switch	1.000	ST
25	7.306-320.0	Oval head screw M 5x40-A2-70 ISO 7045	1.000	ST