

## **Spare parts list**

(1.077-801.0) HDS 9/18-4M

## Table of contents

---

HDS 9/18-4M (1.077-801.0)	4
Spare parts list HDS 9/18 (5.970-799.0)	5
10 Housing	6
11 Housing	7
8 Device cover complete only for replaceme (4.066-426.0)	9
1 Device cover complete basalt grey RAL 70	10
30 Conversion kit holder small Kessel (2.882-691.0)	12
6 Spare parts list reversion kit holder kl (5.953-327.0)	13
10 Conversion kit holder boiler	14
12 Bottom part	16
26 Cover fuel complete (4.064-013.0)	19
13 Hose reel	21
14 Hose reel	23
20 Crank complete (4.481-263.0)	25
20 Pump set	27
21 Cylinder head	28
12 Piston complete only for replacement (4.553-198.0)	31
20 Valve (3 Stueck) (2.884-512.0)	33
34 Piston complete only for replacement (4.553-197.0)	35
40 Valve complete (4.580-594.0)	37
100 Spare part set pump (2.885-035.0)	39
1 Valve (3 Stueck) (2.884-512.0)	40
3 Valve complete (4.580-594.0)	42
22 Piston	44
4 Piston complete (4.553-279.0)	46
30 Motor	48
40 Blower	51
50 Fuel pump	53
3 Fuel pump only for replacement (4.473-032.0)	55
6 Filter complete (4.730-167.3)	57
1 Filter complete (4.730-167.0)	58
60 Electric control box	60
70 Flow heater	63
71 Burner cover	65
10 Cover pressure boiler (4.654-218.0)	67
17 Conversion kit ignition electrode (2.638-974.0)	69
72 Burner cover	71
10 Cover pressure boiler (4.654-218.0)	73

## Table of contents

---

17 Conversion kit ignition electrode (2.638-974.0)	75
73 Burner cover	77
10 Cover pressure boiler (4.654-218.0)	79
17 Conversion kit ignition electrode (2.638-974.0)	81
74 Heating coil	83
75 Heating coil	85
76 Heating coil	87
10 Conversion kit holder small Kessel (2.882-691.0)	89
6 Spare parts list reversion kit holder kl (5.953-327.0)	90
10 Conversion kit holder boiler	91
77 Heating coil	93
78 Burner bottom	95
2 Bottom pressure boiler (4.655-044.0)	97
80 Float valve	99
81 Float valve	100
82 Float valve	102
90 Safety system	104
10 Safety valve complete replacement (4.580-709.0)	106
100 Accessories	108
101 Hand trigger gun	109
1 HAND TRIGGER GUN EASY PRESS (4.775-463.0)	111
9002 Lever complete (4.481-209.0)	113
4 Rotary controller 416L (4.775-470.0)	115
13 Lever complete (4.481-209.0)	117
102 Hand trigger gun	119
1 Rotary controller 416L (4.775-470.0)	121
4 Hand trigger gun (4.775-466.0)	123
60 Adapter pipelines AVS-M22x1,5 (4.421-739.3)	125
9002 Lever complete (4.481-209.0)	127
13 Lever complete (4.481-209.0)	129
15 Adapter pipelines AVS-M22x1,5 (4.421-739.3)	131
103 Jet pipe	133
1 Jet pipe packaged only for replacement (4.760-660.0)	135
9 Power nozzle 25050 (2.883-399.0)	137
110 Control panel	139

HDS 9/18-4M (1.077-801.0)

---

<b>POS</b>	<b>Article no.</b>	<b>Description</b>	<b>Quantity</b>	<b>Unit</b>
0	5.970-799.0	Spare parts list HDS 9/18	1.000	ST

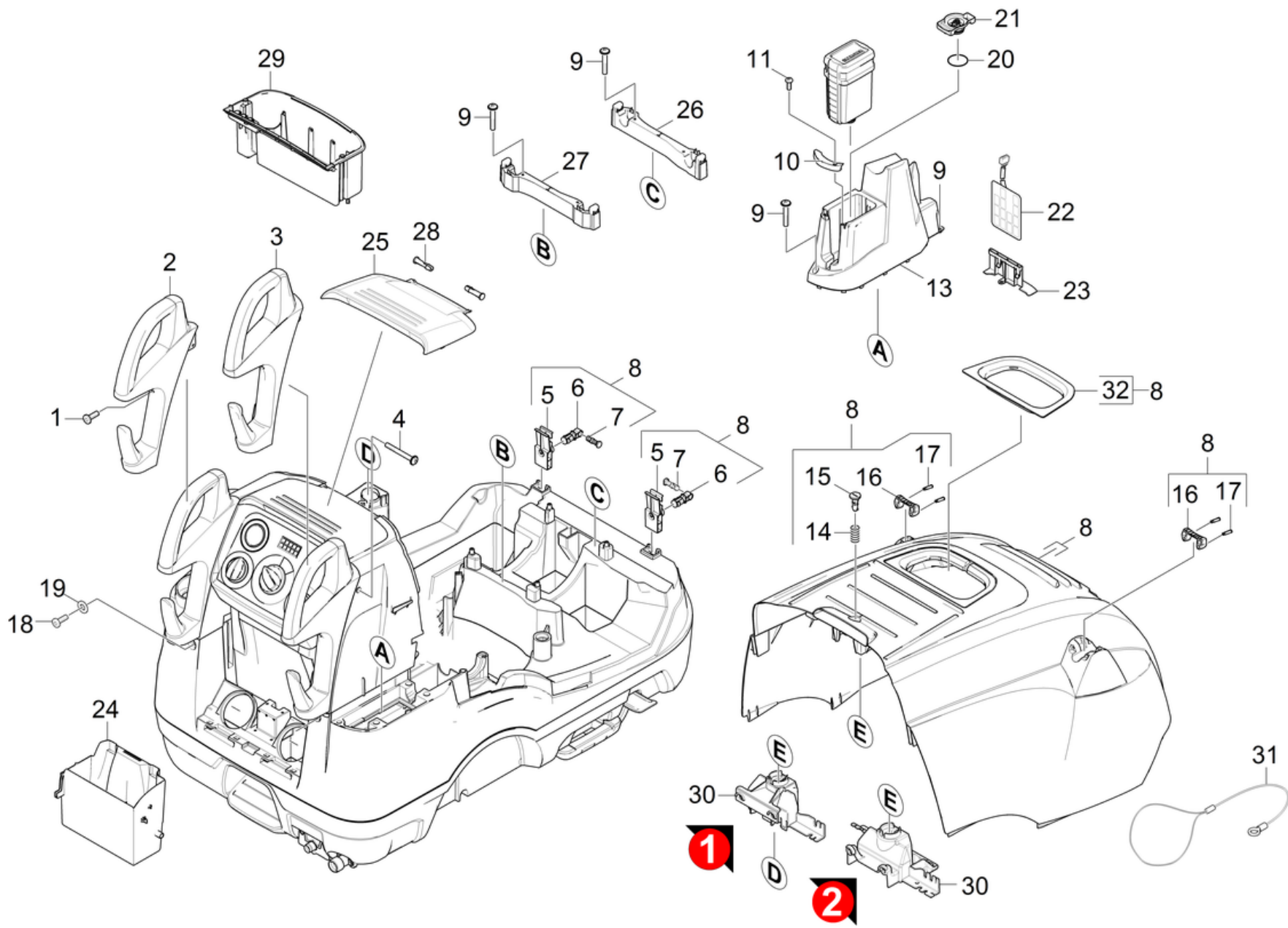
## Spare parts list HDS 9/18 (5.970-799.0)

POS	Description	Quantity	Unit
10	Housing	1.000	ST
20	Pump set	1.000	ST
30	Motor	1.000	ST
40	Blower	1.000	ST
50	Fuel pump	1.000	ST
60	Electric control box	1.000	ST
70	Flow heater	1.000	ST
80	Float valve	1.000	ST
90	Safety system	1.000	ST
100	Accessories	1.000	ST
110	Control panel	1.000	ST

## 10 Housing

---

<b>POS</b>	<b>Description</b>	<b>Quantity</b>	<b>Unit</b>	<b>Remark</b>
11	Housing	1.000	ST	
12	Bottom part	1.000	ST	
13	Hose reel	1.000	ST	VERSION 1
14	Hose reel	1.000	ST	VERSION 2



## 11 Housing

POS	Article no.	Description	Quantity	Unit	Remark
1	7.303-069.0	Screw M 8x25-ST-R3R (IN6RD)	2.000	ST	
2	5.321-830.0	Sliding handle left	1.000	ST	
3	5.321-831.3	Sliding handle right	1.000	ST	
4	7.303-209.0	Screw 6x50 -10.9-R2R (K-In6Rd)	2.000	ST	
5	5.501-070.0	Hinge cover	2.000	ST	
6	5.317-228.0	Bolt hinge	2.000	ST	
7	5.317-291.0	Bolt	2.000	ST	
8	4.066-426.0	Device cover complete only for replaceme	1.000	ST	
9	7.303-086.0	Screw 5x30 -10.9-R2R (K-In6Rd)	6.000	ST	
10	5.033-381.0	Profile	1.000	ST	
11	7.303-106.0	Screw 4x12 -10.9-R2R (IN6RD)	1.000	ST	
13	5.033-344.0	Covering cap DGT	1.000	ST	
14	5.332-236.0	Helical spring	1.000	ST	
15	5.316-318.0	Bolt	1.000	ST	
16	5.424-139.0	Fixing jet pipe	2.000	ST	
17	5.314-143.0	Pin fixing jet pipe	4.000	ST	
18	6.303-497.0	Screw M8x35-8.8-A2E (IN6RD)	2.000	ST	
19	7.312-277.0	Washer 8-200HV-A2E ISO7093-1	2.000	ST	
20	6.362-377.0	O-Ring seal 38,0 X 2,0-NBR 70	1.000	ST	
21	5.425-495.0	CONNECTION PIECE DGT	1.000	ST	
22	2.885-055.0	Circuit board	1.000	ST	
23	5.044-889.0	Holder circuit board	1.000	ST	
24	5.033-155.0	Flap	1.000	ST	
	<b>Item text1:</b> 1.077-801.0 /-802.0 /-805.0				
25	5.033-113.0	Flap	1.000	ST	
26	5.190-259.0	Strip	1.000	ST	
27	5.190-000.0	Strip	1.000	ST	
28	5.317-220.0	Bolt	2.000	ST	
29	5.033-112.0	Storage compartment	1.000	ST	
30	2.882-691.0	Conversion kit holder small Kessel	1.000	ST	VERSION 2
30	5.412-015.0	Closure cover	1.000	ST	VERSION 1
31	6.431-274.0	Tackle cover	1.000	ST	
32	5.061-455.0	Sheet metal component	1.000	ST	

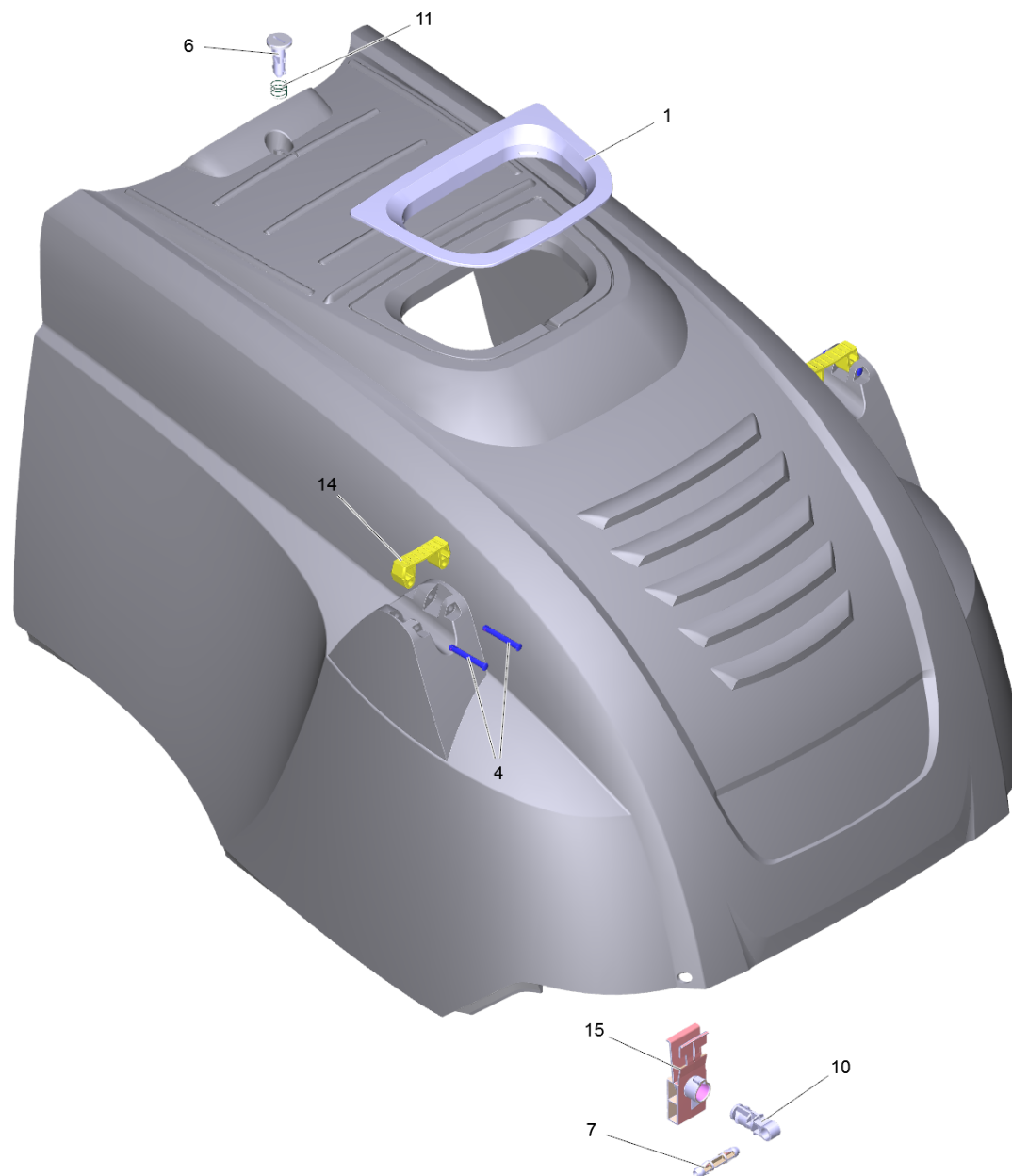


8 Device cover complete only for replaceme (4.066-426.0)

---

POS	Description	Quantity	Unit
1	Device cover complete basalt grey RAL 70	1.000	ST

---



## 1 Device cover complete basalt grey RAL 70

---

<b>POS</b>	<b>Article no.</b>	<b>Description</b>	<b>Quantity</b>	<b>Unit</b>
1	5.061-455.0	Sheet metal component	1.000	ST
4	5.314-143.0	Pin fixing jet pipe	4.000	ST
6	5.317-765.0	Bolt closure cover	1.000	ST
7	5.317-291.0	Bolt	2.000	ST
10	5.317-779.0	Bolt hinge black	2.000	ST
11	5.332-236.0	Helical spring	1.000	ST
14	5.424-162.0	Fixing jet pipe	2.000	ST
15	5.501-083.0	Hinge cover black	2.000	ST

30 Conversion kit holder small Kessel (2.882-691.0)

---

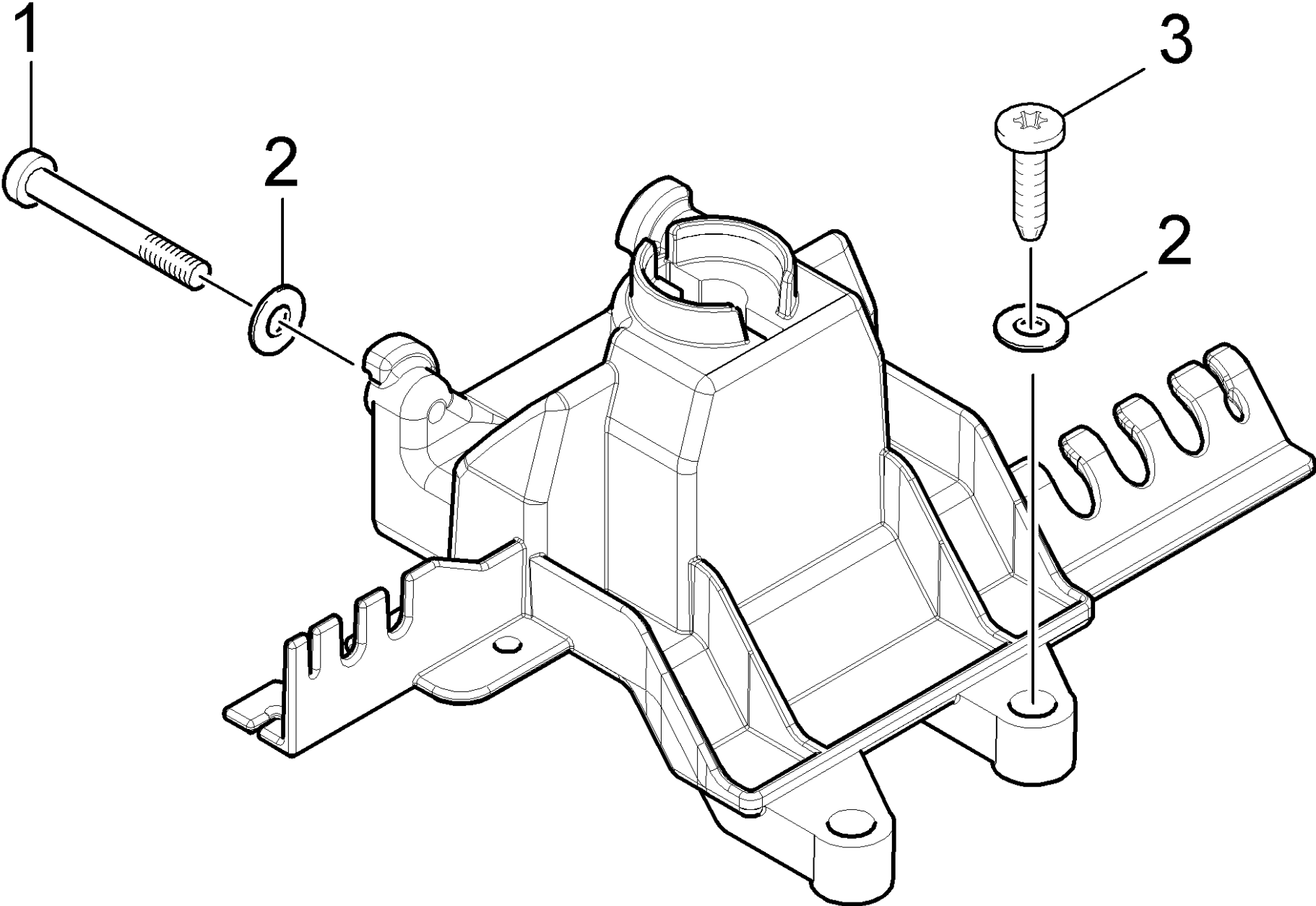
<b>POS</b>	<b>Article no.</b>	<b>Description</b>	<b>Quantity</b>	<b>Unit</b>
6	5.953-327.0	Spare parts list reversion kit holder kl	1.000	ST

6 Spare parts list reversion kit holder kl (5.953-327.0)

---

<b>POS</b>	<b>Description</b>	<b>Quantity</b>	<b>Unit</b>
10	Conversion kit holder boiler	1.000	ST

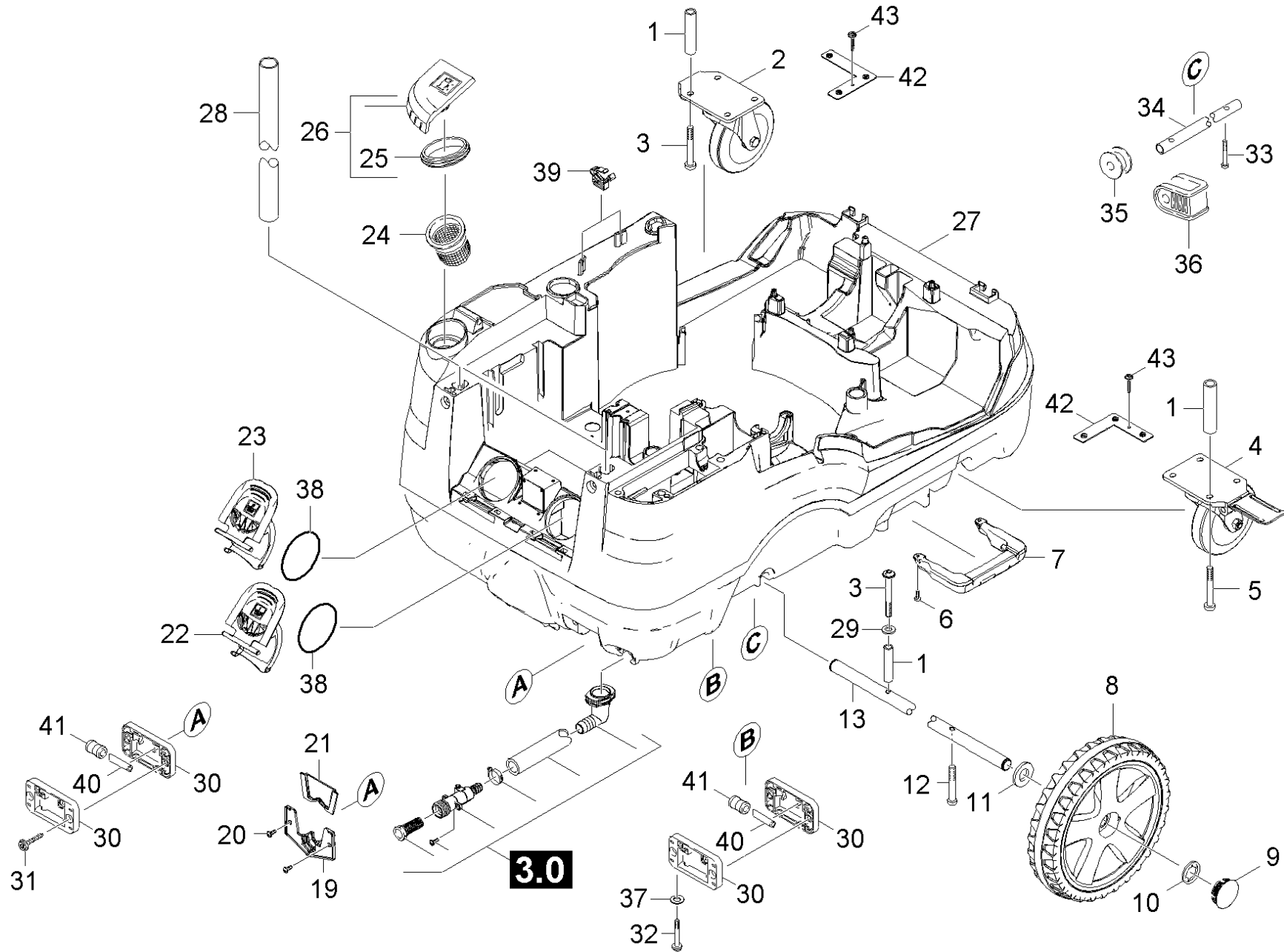
---



## 10 Conversion kit holder boiler

---

<b>POS</b>	<b>Article no.</b>	<b>Description</b>	<b>Quantity</b>	<b>Unit</b>
1	7.303-111.0	Screw 5x50 -10.9-R2R (K-In6Rd)	2.000	ST
2	7.312-278.0	Washer 5-200HV-A2E ISO7093-1	4.000	ST
3	6.303-320.0	Screw M 5x 20-St-R2R	2.000	ST



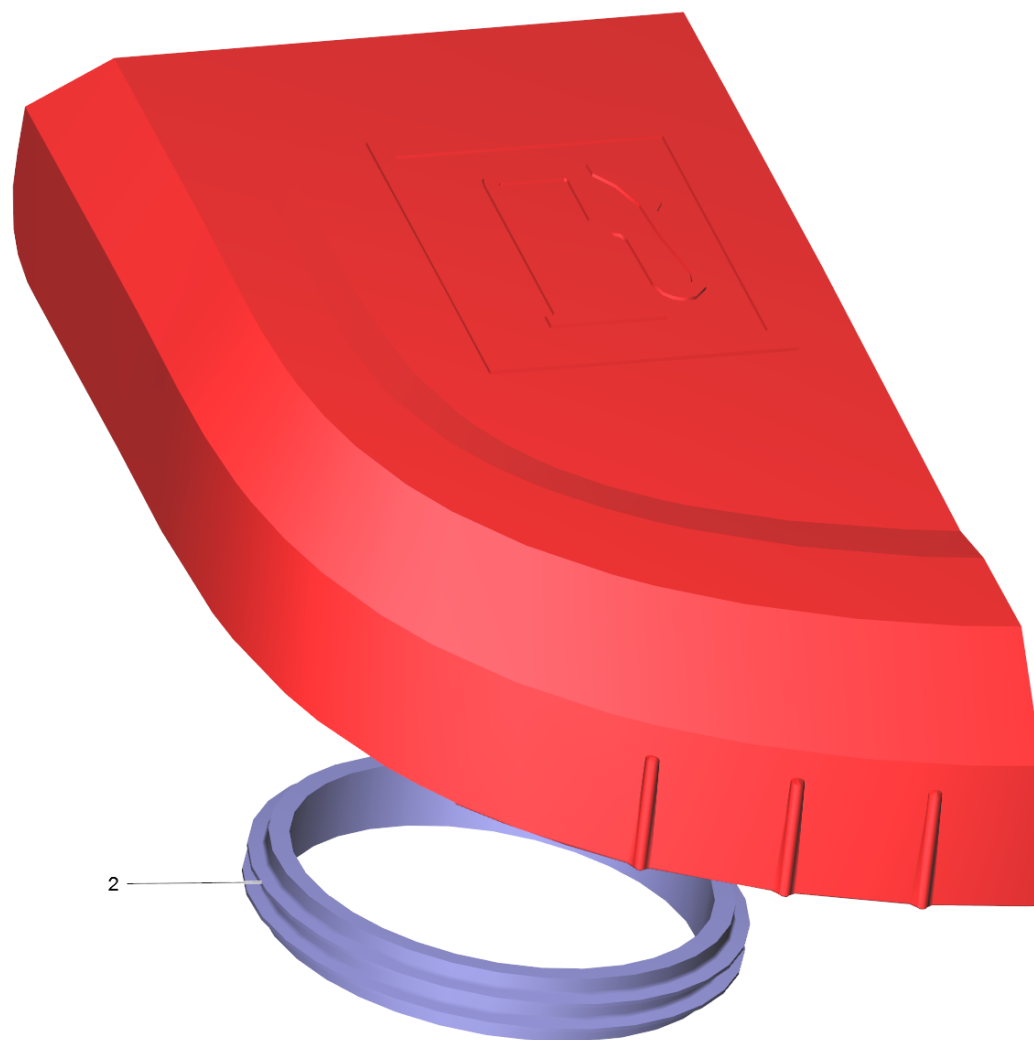


## 12 Bottom part

POS	Article no.	Description	Quantity	Unit
1	5.111-065.0	Spacer sleeve	7.000	ST
2	6.435-777.0	Castor D 160	1.000	ST
3	7.303-236.0	Screw M 8x60-St-A3E (IN6RD)	4.000	ST
4	6.435-747.0	Castor	1.000	ST
5	7.303-237.0	Screw M 8x70-St-A3K (IN6RD)	3.000	ST
6	7.303-046.0	Screw M6x12 -St-R3R (In6Rd)	4.000	ST
7	5.424-136.0	Fixing	2.000	ST
8	4.515-263.0	Wheel complete	2.000	ST
9	5.392-038.0	Wheel cap	2.000	ST
10	6.343-162.0	Lock washer -25	2.000	ST
11	7.312-060.0	Washer 24-100HV-A3E ISO 7091	2.000	ST
12	7.303-236.0	Screw M 8x60-St-A3E (IN6RD)	1.000	ST
13	5.105-652.0	Axle	1.000	ST
19	5.263-087.0	Tensioning part	1.000	ST
	<b>Item text1:</b> 1.077-801.0 /-802.0 /-805.0			
20	7.303-086.0	Screw 5x30 -10.9-R2R (K-In6Rd)	2.000	ST
	<b>Item text1:</b> 1.077-801.0 /-802.0 /-805.0			
21	5.263-088.0	Tensioning part	1.000	ST
	<b>Item text1:</b> 1.077-801.0 /-802.0 /-805.0			
22	5.064-231.0	Cover chemistry 2	1.000	ST
23	5.064-221.0	Cover chemistry 1	1.000	ST
24	5.731-039.0	Filter	1.000	ST
25	5.363-300.0	Joint ring	1.000	ST
26	4.064-013.0	Cover fuel complete	1.000	ST
27	4.051-109.0	Frame neue M-Klasse Ersatz	1.000	ST
28	5.027-292.0	Tube handhold	1.000	ST
29	7.312-277.0	Washer 8-200HV-A2E ISO7093-1	1.000	ST
30	5.044-646.0	Holder roller front	4.000	ST
	<b>Item text1:</b> 1.077-851.0			
31	7.303-118.0	Screw 5x40 -A2-70 (IN6Rd)	2.000	ST
	<b>Item text1:</b> 1.077-851.0			
32	7.303-171.0	Screw 5x80 -10.9-R2R (K-In6Rd)	2.000	ST
	<b>Item text1:</b> 1.077-851.0			

## 12 Bottom part

POS	Article no.	Description	Quantity	Unit
33	7.303-086.0	Screw 5x30 -10.9-R2R (K-In6Rd)	2.000	ST
	<b>Item text1:</b> 1.077-851.0			
34	5.033-524.0	Axle	1.000	ST
	<b>Item text1:</b> 1.077-851.0			
35	5.515-112.0	Deflection pulley	1.000	ST
	<b>Item text1:</b> 1.077-851.0			
36	5.033-415.0	Slider	1.000	ST
	<b>Item text1:</b> 1.077-851.0			
37	7.312-278.0	Washer 5-200HV-A2E ISO7093-1	2.000	ST
38	6.363-443.0	O-Ring seal 75x5	2.000	ST
39	5.802-306.0	Holder cable	2.000	ST
40	5.128-511.0	Axle	6.000	ST
41	5.515-191.0	Roller	6.000	ST
42	5.424-137.0	Fixing castor	2.000	ST
43	7.303-107.0	Screw 5x16 -10.9-P2R (K-In6Rd)	2.000	ST

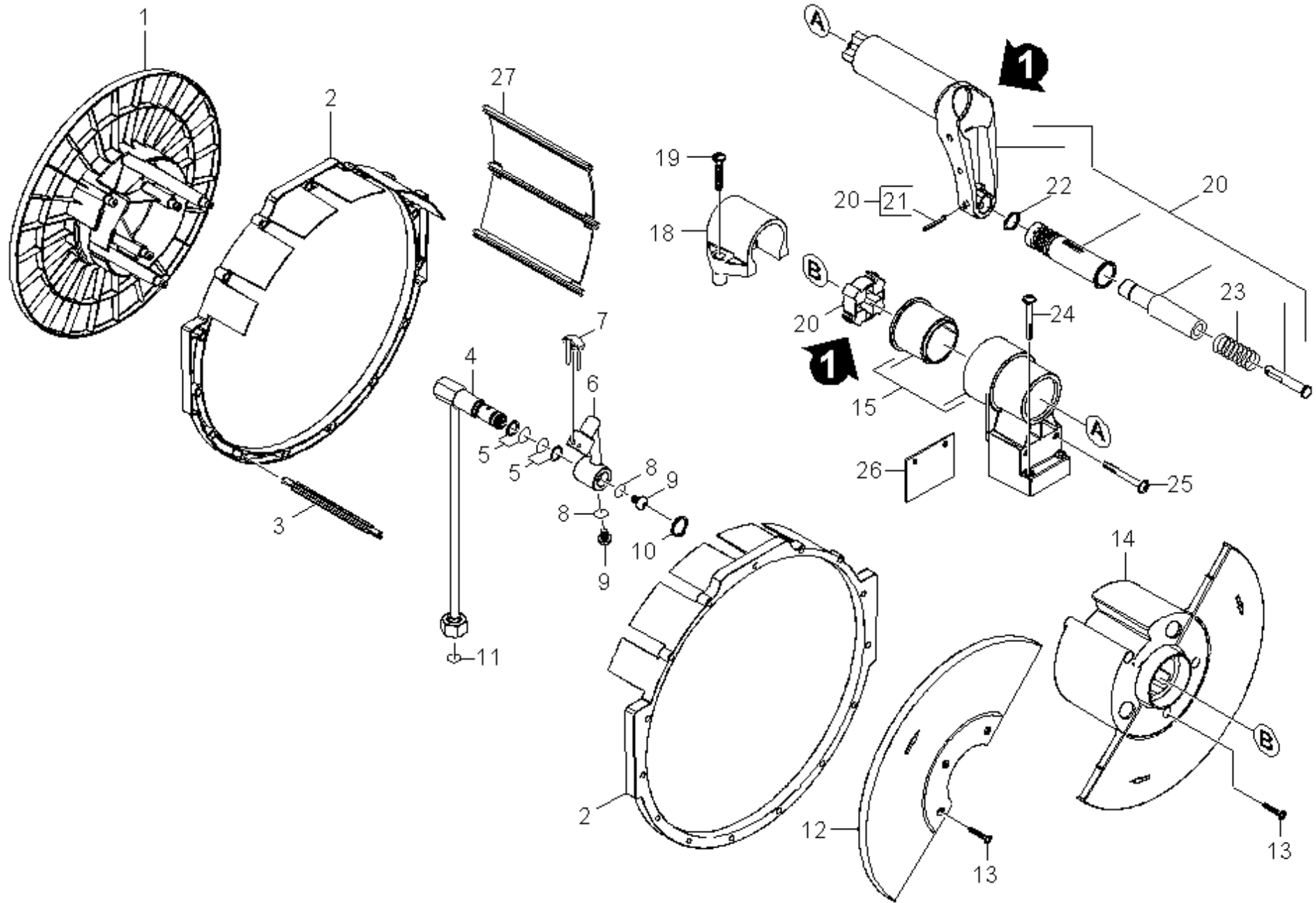


26 Cover fuel complete (4.064-013.0)

---

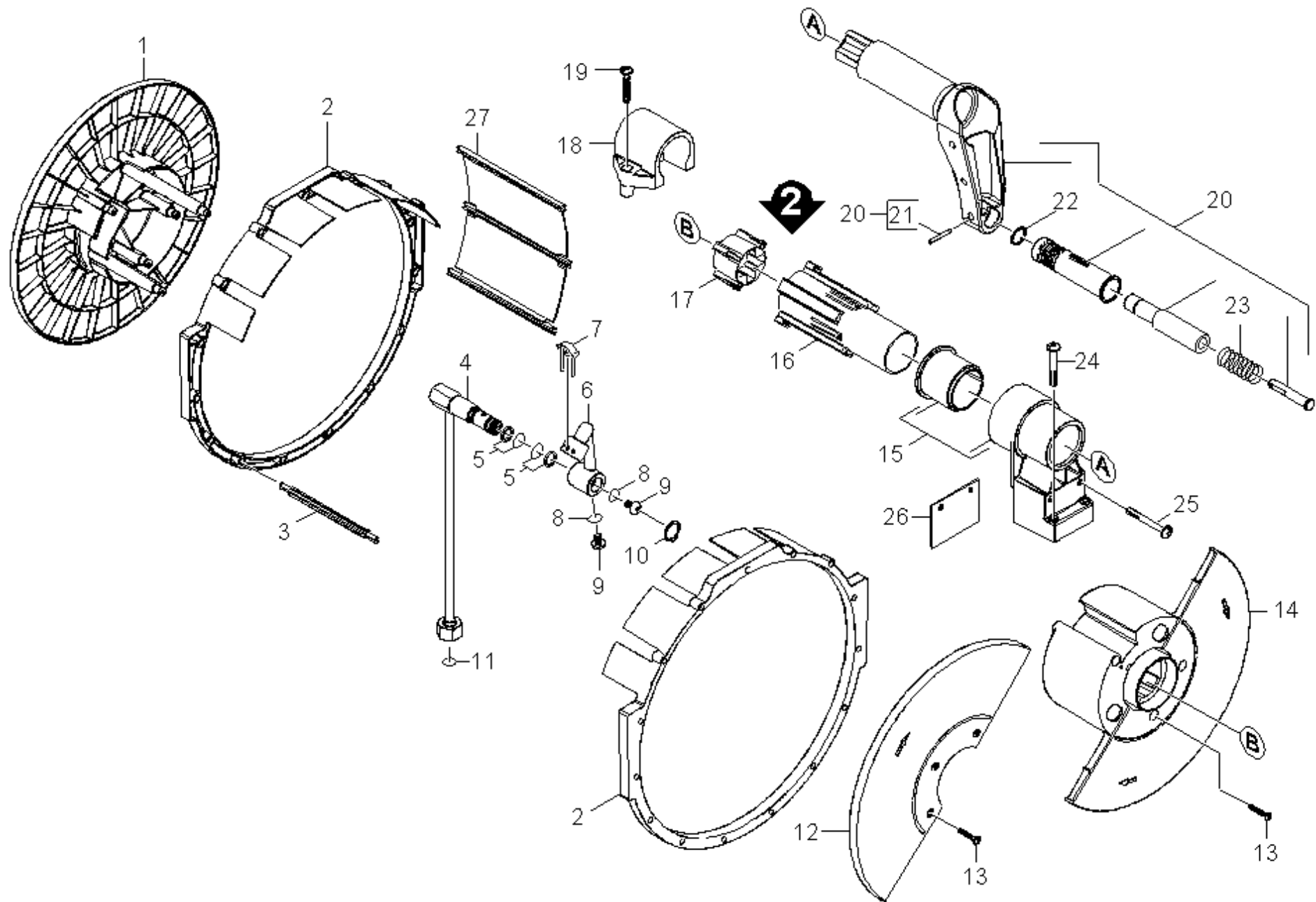
<b>POS</b>	<b>Article no.</b>	<b>Description</b>	<b>Quantity</b>	<b>Unit</b>
2	5.363-300.0	Joint ring	1.000	ST

---



## 13 Hose reel

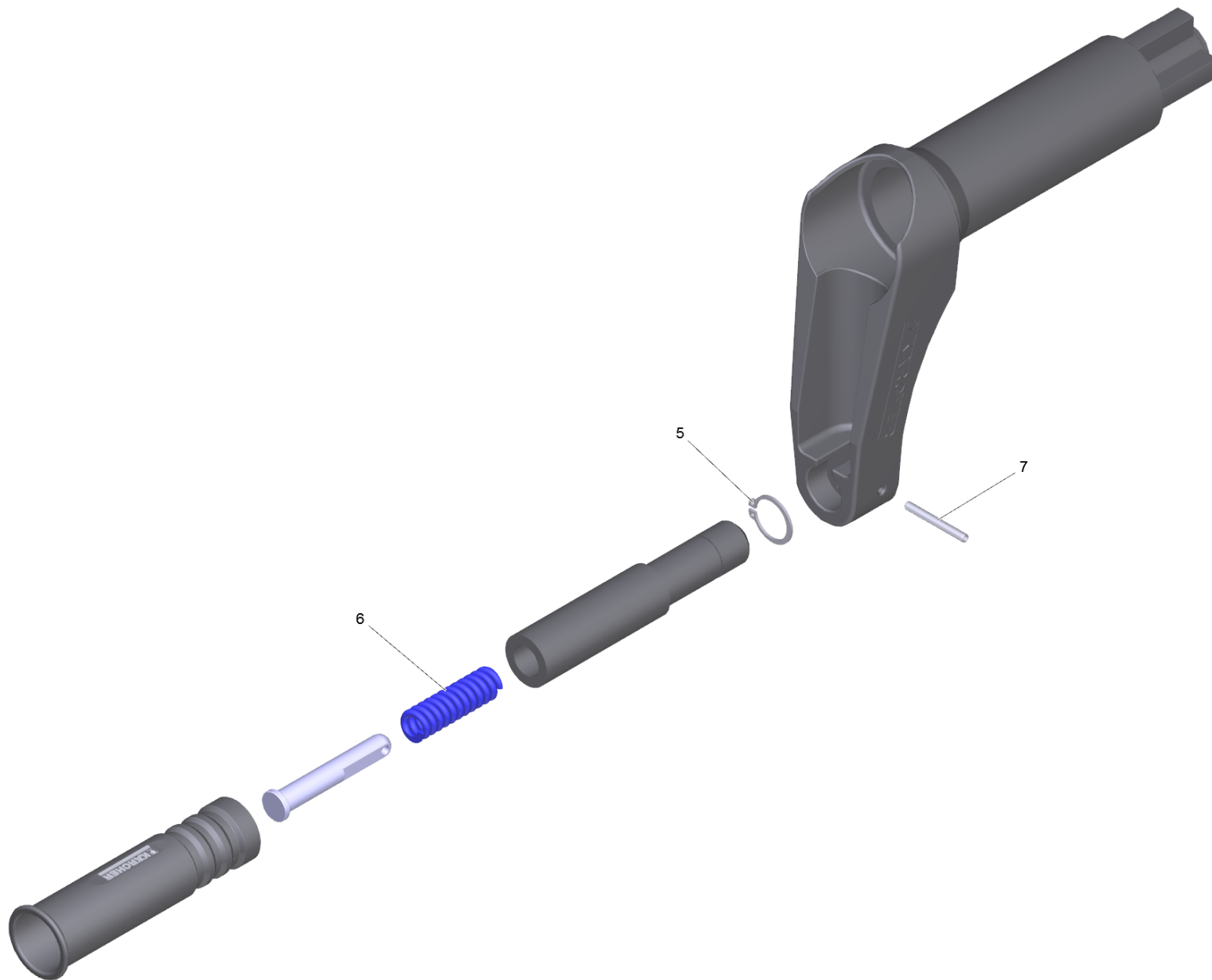
POS	Article no.	Description	Quantity	Unit
1	5.776-019.0	Hose reel left half	1.000	ST
2	5.044-849.0	Cage	2.000	ST
3	5.027-295.0	Rod	9.000	ST
4	4.422-103.0	Pipelines	1.000	ST
5	6.363-073.3	O-Ring seal 14x1,78 1XSRH-NBR	2.000	ST
6	5.427-310.0	Manifold	1.000	ST
7	4.037-013.0	Hook	1.000	ST
8	6.363-484.0	O-Ring seal 8 x 2,2 mm HNBR Shore 80	2.000	ST
9	7.306-223.0	Screw M8x12 -A2-70 (In6Rd)	2.000	ST
10	7.343-018.0	Locking ring 18x1,2-Rf-St DIN 471	1.000	ST
11	6.363-485.0	O-Ring seal 10x 2 mm HNBR Shore 80	1.000	ST
12	5.776-021.0	Hose reel right half 2	1.000	ST
13	7.303-108.0	Screw 5x20 -10.9-R2R (In6Rd)	6.000	ST
14	5.776-020.0	Hose reel right half 1	1.000	ST
15	4.251-051.0	Bearing support completely	1.000	ST
18	5.251-060.0	Bearing support bottom part	1.000	ST
19	7.303-118.0	Screw 5x40 -A2-70 (IN6Rd)	2.000	ST
20	2.885-146.0	Repair set hose reel	1.000	ST
21	7.314-967.0	Spring pin 4x35 -St ISO 13337	1.000	ST
22	7.343-007.0	Locking ring 20x1,2-FST-RF DIN 471	1.000	ST
23	5.332-005.0	Helical spring	1.000	ST
24	7.303-209.0	Screw 6x50 -10.9-R2R (K-In6Rd)	2.000	ST
25	7.306-201.0	Screw M 6x55-A2-70 (IN6RD)	2.000	ST
26	5.762-400.0	Bracket	1.000	ST
27	5.394-853.0	Protection part	1.000	ST



## 14 Hose reel

POS	Article no.	Description	Quantity	Unit
1	5.776-019.0	Hose reel left half	1.000	ST
2	5.044-849.0	Cage	2.000	ST
3	5.027-295.0	Rod	11.000	ST
4	4.422-103.0	Pipelines	1.000	ST
5	6.363-073.3	O-Ring seal 14x1,78 1XSRH-NBR	2.000	ST
6	5.427-310.0	Manifold	1.000	ST
7	4.037-013.0	Hook	1.000	ST
8	6.363-484.0	O-Ring seal 8 x 2,2 mm HNBR Shore 80	2.000	ST
9	7.306-223.0	Screw M8x12 -A2-70 (In6Rd)	2.000	ST
10	7.343-018.0	Locking ring 18x1,2-Rf-St DIN 471	1.000	ST
11	6.363-485.0	O-Ring seal 10x 2 mm HNBR Shore 80	1.000	ST
12	5.776-021.0	Hose reel right half 2	1.000	ST
13	7.303-108.0	Screw 5x20 -10.9-R2R (In6Rd)	6.000	ST
14	5.776-020.0	Hose reel right half 1	1.000	ST
15	4.251-051.0	Bearing support completely	1.000	ST
16	5.251-070.0	Carrier aussen	1.000	ST
17	5.251-069.0	Carrier innen	1.000	ST
18	5.251-060.0	Bearing support bottom part	1.000	ST
19	7.303-118.0	Screw 5x40 -A2-70 (IN6Rd)	2.000	ST
20	4.481-263.0	Crank complete	1.000	ST
21	7.314-967.0	Spring pin 4x35 -St ISO 13337	1.000	ST
22	7.343-007.0	Locking ring 20x1,2-FST-RF DIN 471	1.000	ST
23	5.332-005.0	Helical spring	1.000	ST
24	7.303-209.0	Screw 6x50 -10.9-R2R (K-In6Rd)	2.000	ST
25	7.306-201.0	Screw M 6x55-A2-70 (IN6RD)	2.000	ST
26	5.762-400.0	Bracket	1.000	ST
27	5.394-853.0	Protection part	1.000	ST





20 Crank complete (4.481-263.0)

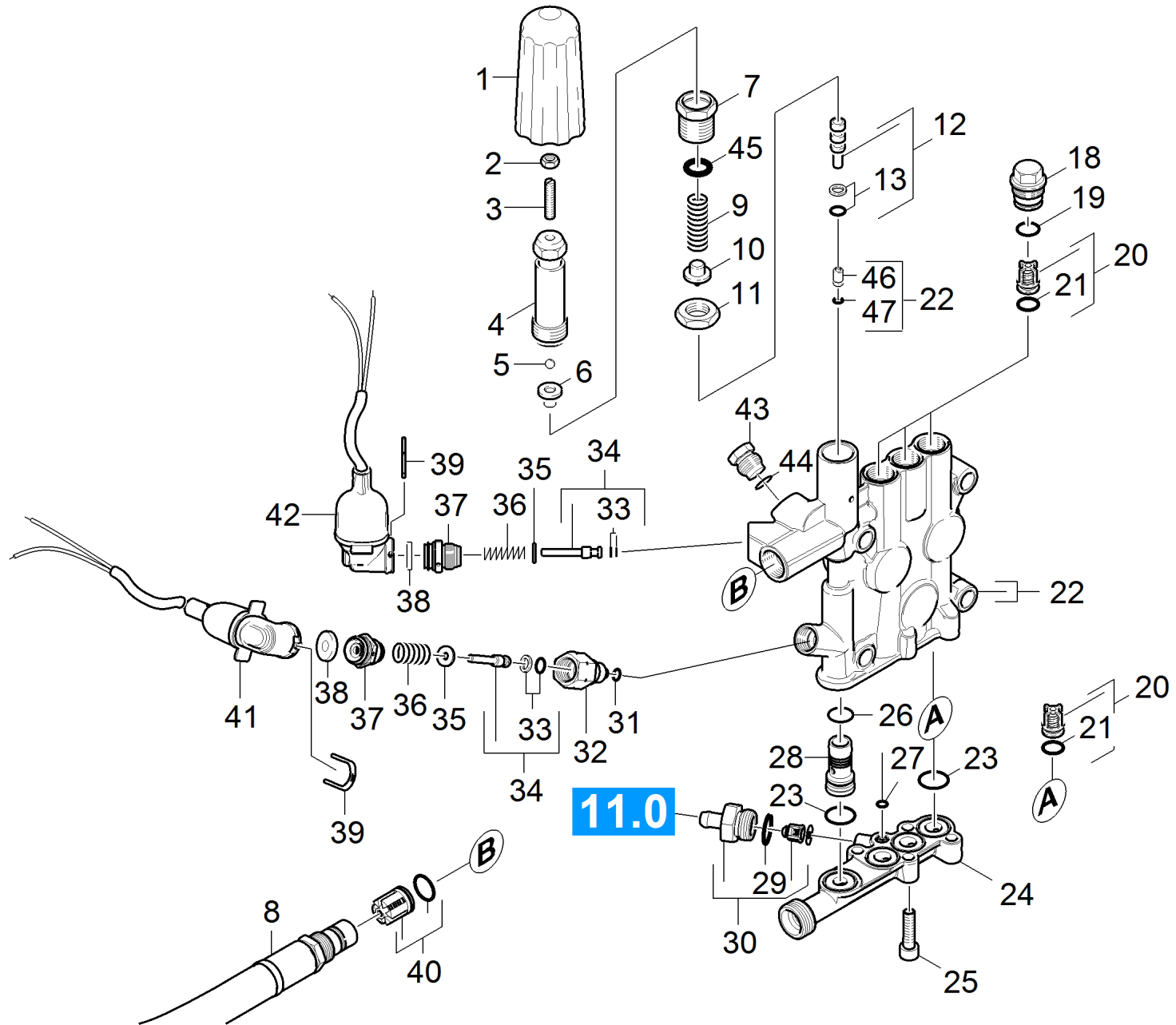
---

<b>POS</b>	<b>Article no.</b>	<b>Description</b>	<b>Quantity</b>	<b>Unit</b>
5	7.343-007.0	Locking ring 20x1,2-FST-RF DIN 471	1.000	ST
6	5.332-005.0	Helical spring	1.000	ST
7	7.314-967.0	Spring pin 4x35 -St ISO 13337	1.000	ST

20 Pump set

---

<b>POS</b>	<b>Description</b>	<b>Quantity</b>	<b>Unit</b>
21	Cylinder head	1.000	ST
22	Piston	1.000	ST



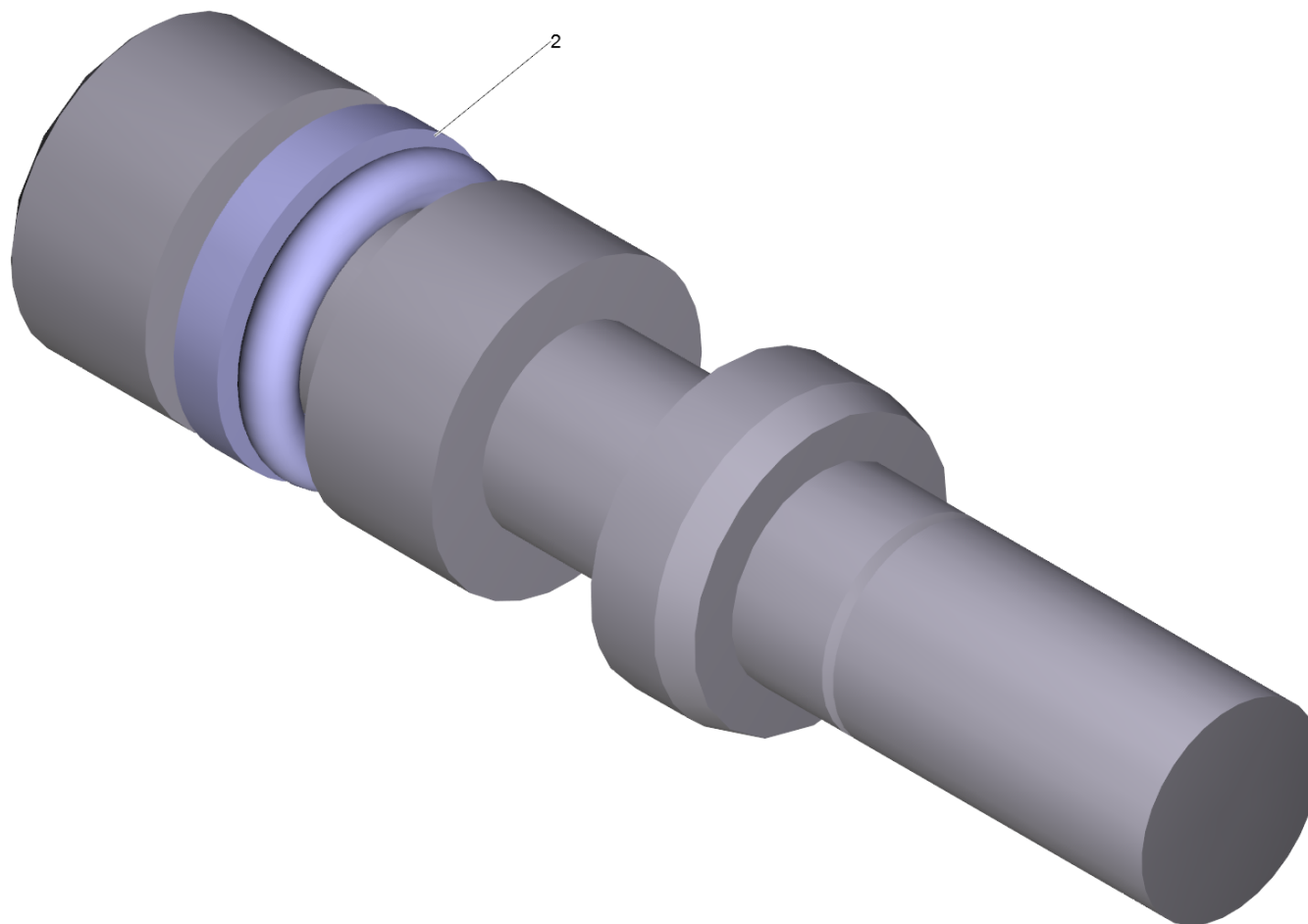
## 21 Cylinder head

POS	Article no.	Description	Quantity	Unit
1	5.321-579.0	Handle	1.000	ST
2	7.311-002.0	Hexagon nut M5 -8-A2E ISO 4032	1.000	ST
3	7.307-017.0	Threaded pin M5x40 -St-45H-A2E ISO 4026	1.000	ST
4	5.304-070.0	Hexagonal head screw	1.000	ST
5	7.401-931.0	Sphere 5 KI3 -1.4401 DIN 5401	1.000	ST
6	5.582-121.0	Valve disc	1.000	ST
7	5.404-082.0	Hollow screw	1.000	ST
8	6.391-629.0	High pressure hose DN 13	1.000	ST
9	5.332-444.0	Helical spring	1.000	ST
10	5.584-114.0	Valve pin	1.000	ST
11	5.311-204.0	Hexagon nut M22x1,5	1.000	ST
12	4.553-198.0	Piston complete only for replacement	1.000	ST
13	6.362-468.0	O-Ring seal complete 1ST.-R.	1.000	ST
18	5.583-146.3	Valve screw	3.000	ST
19	6.362-481.0	O-Ring seal 14,0 x 2,0 NBR 80	3.000	ST
20	2.884-512.0	Valve (3 Stueck)	2.000	ST
21	6.363-003.0	O-Ring seal 13,0 X 2,0-NBR 90	6.000	ST
22	4.550-889.0	Cylinder head complete	1.000	ST
23	6.363-536.0	O-Ring seal 21x1,5	4.000	ST
24	5.427-416.3	Manifold water intake	1.000	ST
25	7.306-043.0	Cylinder head screw M8x30 -8.8-A2E ISO	4.000	ST
26	6.362-381.0	O-Ring seal 13x2 - NBR 70	1.000	ST
27	6.362-703.0	O-Ring seal 6,0x1,5-NBR 70	1.000	ST
28	5.110-865.0	Sleeve	1.000	ST
29	6.362-427.0	O-Ring seal 15,0x2,0	1.000	ST
30	4.580-581.3	Valve complete	1.000	ST
31	6.362-853.0	O-Ring seal 4,47x1,78	1.000	ST
32	5.402-705.3	Joining piece	1.000	ST
33	6.363-037.0	O-Ring seal complete 1ST.-R.	2.000	ST
34	4.553-197.0	Piston complete only for replacement	2.000	ST
35	5.115-796.0	Washer	2.000	ST
36	5.332-268.0	Helical spring	2.000	ST
37	5.411-148.0	Screw plug	2.000	ST

## 21 Cylinder head

---

<b>POS</b>	<b>Article no.</b>	<b>Description</b>	<b>Quantity</b>	<b>Unit</b>
38	5.367-030.0	Diaphragm	2.000	ST
39	5.034-494.0	Retaining bracket	2.000	ST
40	4.580-594.0	Valve complete	1.000	ST
41	4.744-225.3	Switch complete	1.000	ST
42	4.744-224.0	Switch complete	1.000	ST
43	5.411-504.0	Screw plug	1.000	ST
44	6.362-176.0	O-Ring seal 6,07x1,78	1.000	ST
45	6.362-079.0	O-Ring seal 18,0 X 2,5	1.000	ST
46	5.581-239.0	Valve seat	1.000	ST
47	6.362-386.0	O-Ring seal 5,0 x 1,5-NBR 80	1.000	ST
100	2.885-035.0	Spare part set pump	1.000	ST

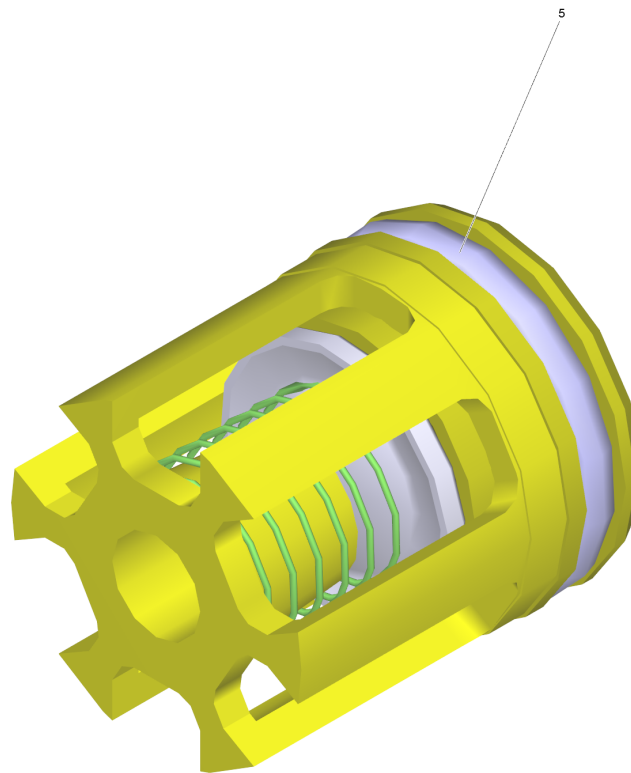


12 Piston complete only for replacement (4.553-198.0)

---

<b>POS</b>	<b>Article no.</b>	<b>Description</b>	<b>Quantity</b>	<b>Unit</b>
2	6.362-468.0	O-Ring seal complete 1ST.-R.	1.000	ST

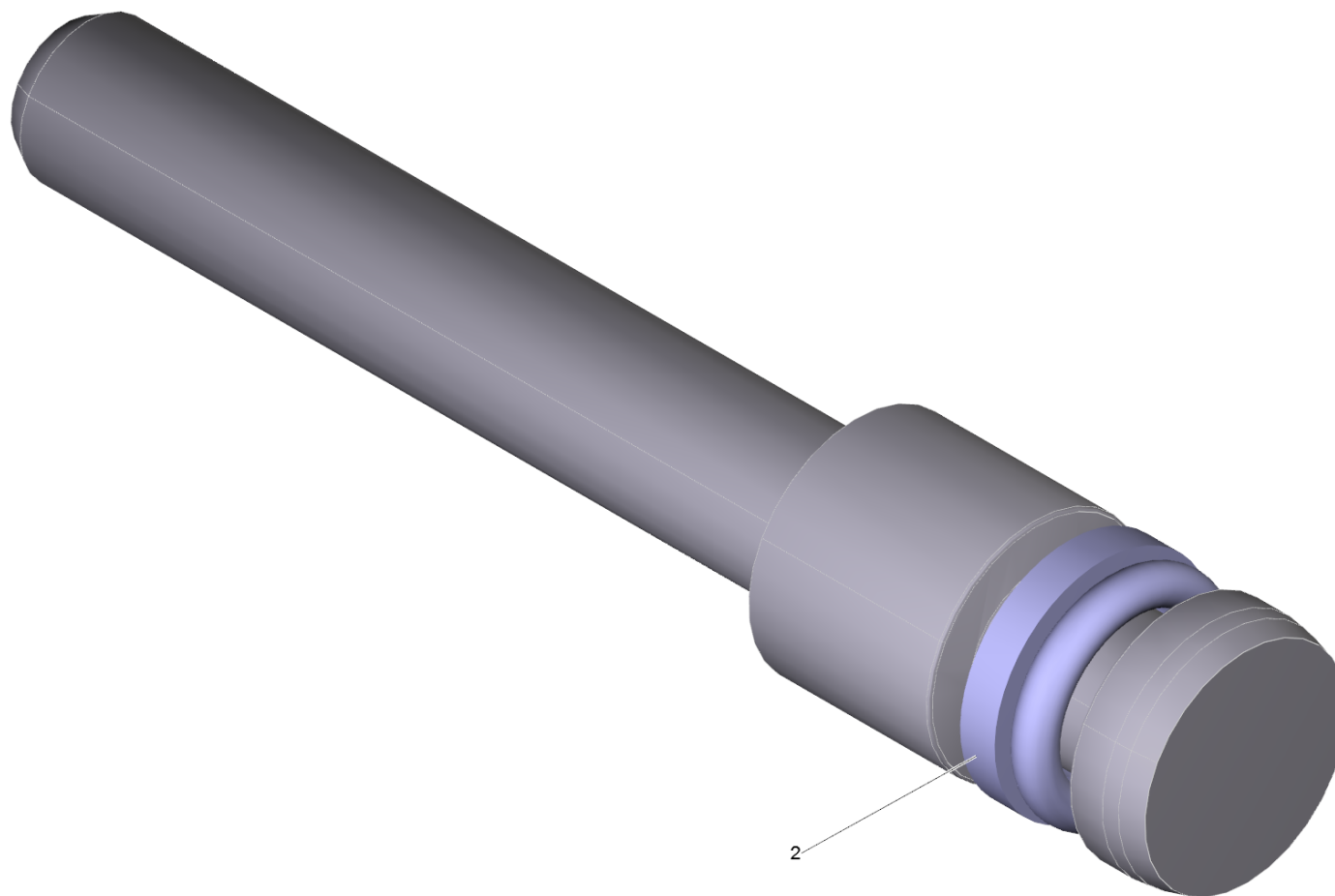




20 Valve (3 Stueck) (2.884-512.0)

---

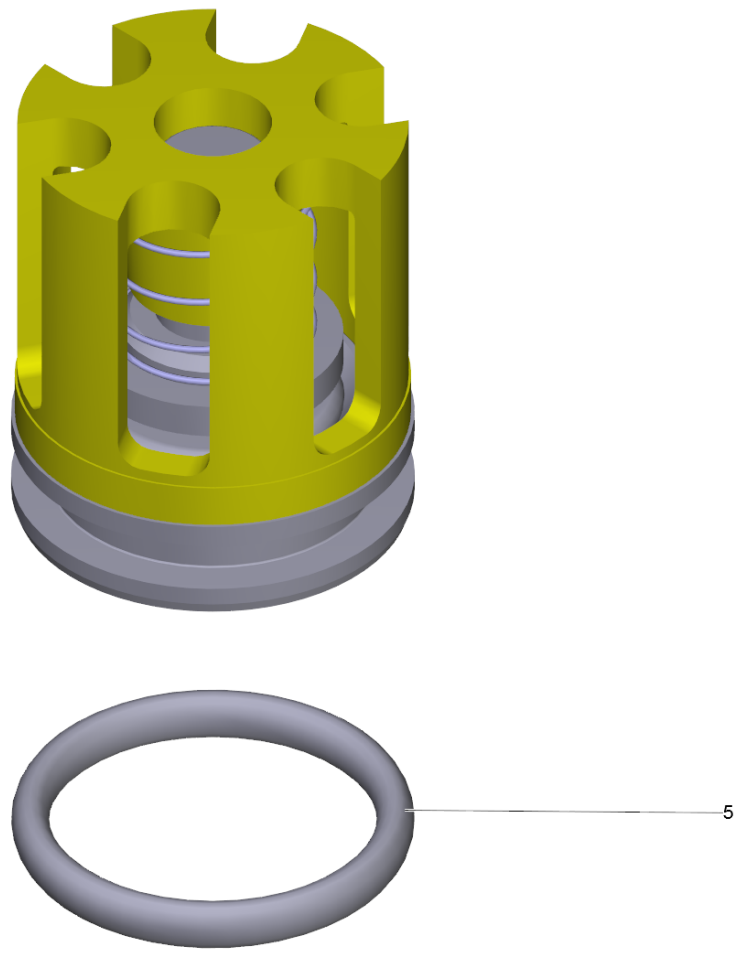
<b>POS</b>	<b>Article no.</b>	<b>Description</b>	<b>Quantity</b>	<b>Unit</b>
5	6.363-003.0	O-Ring seal 13,0 X 2,0-NBR 90	1.000	ST



34 Piston complete only for replacement (4.553-197.0)

---

<b>POS</b>	<b>Article no.</b>	<b>Description</b>	<b>Quantity</b>	<b>Unit</b>
2	6.363-037.0	O-Ring seal complete 1ST.-R.	1.000	ST



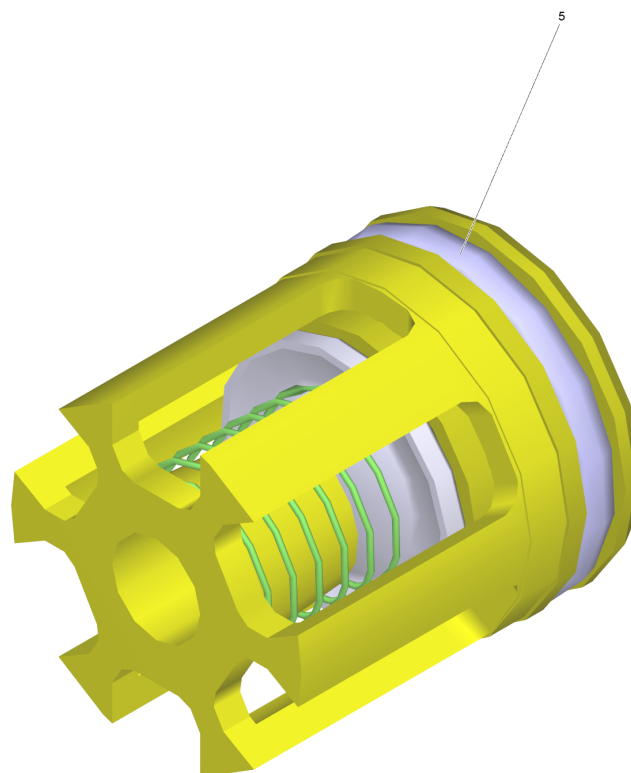
40 Valve complete (4.580-594.0)

---

POS	Article no.	Description	Quantity	Unit
5	6.362-381.0	O-Ring seal 13x2 - NBR 70	1.000	ST

100 Spare part set pump (2.885-035.0)

POS	Article no.	Description	Quantity	Unit
1	2.884-512.0	Valve (3 Stueck)	2.000	ST
2	4.580-581.3	Valve complete	1.000	ST
3	4.580-594.0	Valve complete	1.000	ST
4	5.034-494.0	Retaining bracket	2.000	ST
5	5.115-255.0	Washer	3.000	ST
6	5.115-538.0	Washer	3.000	ST
7	5.115-796.0	Washer	2.000	ST
8	6.362-406.0	O-Ring seal 33,05X 1,78-NBR 70	3.000	ST
9	6.362-468.0	O-Ring seal complete 1ST.-R.	1.000	ST
10	6.362-481.0	O-Ring seal 14,0 x 2,0 NBR 80	3.000	ST
11	6.362-547.0	O-Ring seal 20,0x1,5-NBR 70	4.000	ST
12	6.365-053.0	Compact seal 20X30X6	3.000	ST
13	6.365-377.0	Grooved ring 20x30x6	3.000	ST
14	6.365-378.0	Supportring 20x30x4,2	3.000	ST

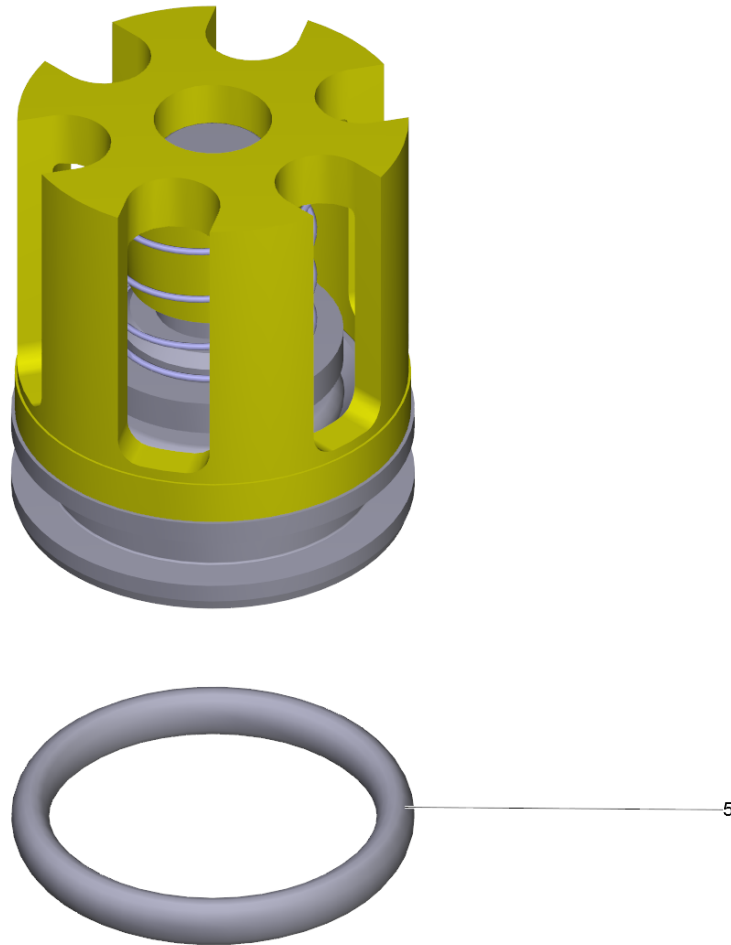




1 Valve (3 Stueck) (2.884-512.0)

---

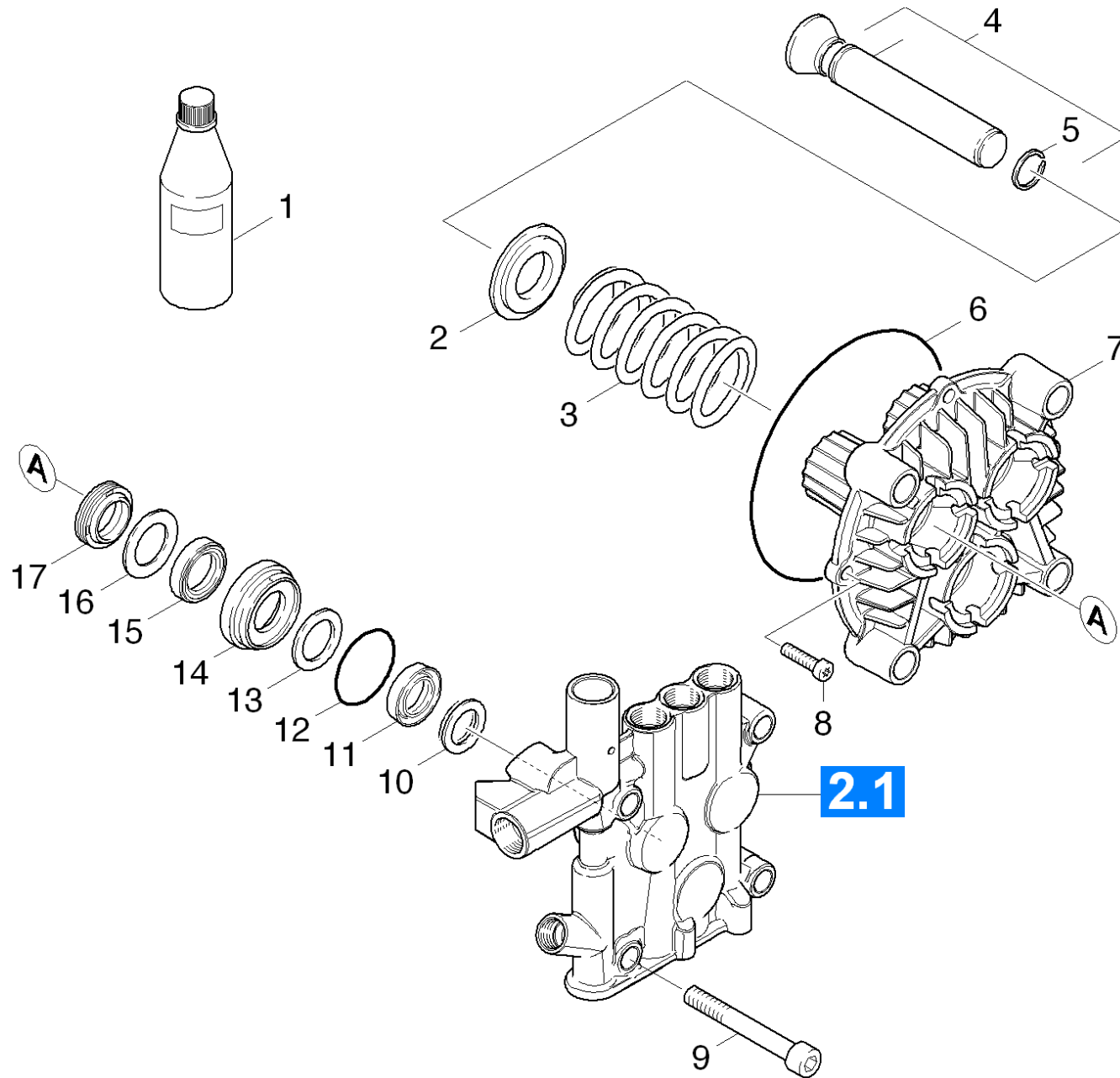
POS	Article no.	Description	Quantity	Unit
5	6.363-003.0	O-Ring seal 13,0 X 2,0-NBR 90	1.000	ST



3 Valve complete (4.580-594.0)

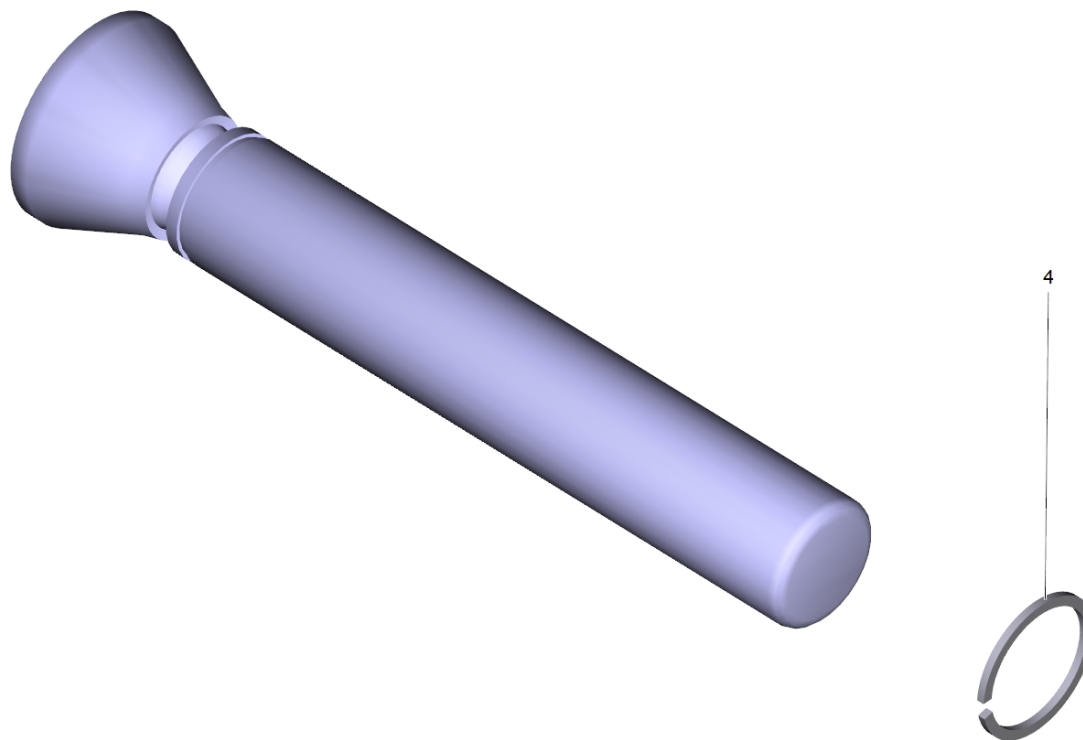
---

<b>POS</b>	<b>Article no.</b>	<b>Description</b>	<b>Quantity</b>	<b>Unit</b>
5	6.362-381.0	O-Ring seal 13x2 - NBR 70	1.000	ST



## 22 Piston

POS	Article no.	Description	Quantity	Unit
1	6.288-016.0	Gear oil 1L	1.000	ST
2	5.116-310.0	Washer	3.000	ST
3	5.332-550.0	Helical spring	3.000	ST
4	4.553-279.0	Piston complete	3.000	ST
5	6.472-331.0	Snap ring 20	3.000	ST
6	6.362-613.0	O-Ring seal 101,27X 2,62-NBR 70	1.000	ST
7	5.061-185.3	Thrust guidance	1.000	ST
8	7.306-105.0	Screw M6x30 -8.8-R3R (In6Rd)	2.000	ST
9	7.306-155.0	Cylinder head screw M12x100 -8.8-A3E IS	4.000	ST
10	6.365-378.0	Supportring 20x30x4,2	3.000	ST
11	6.365-377.0	Grooved ring 20x30x6	3.000	ST
12	6.362-406.0	O-Ring seal 33,05X 1,78-NBR 70	3.000	ST
13	5.115-538.0	Washer	3.000	ST
14	5.112-834.0	Bush	3.000	ST
15	6.365-053.0	Compact seal 20X30X6	3.000	ST
16	5.115-255.0	Washer	3.000	ST
17	6.365-052.0	Grooved ring 20X28X6/8	3.000	ST

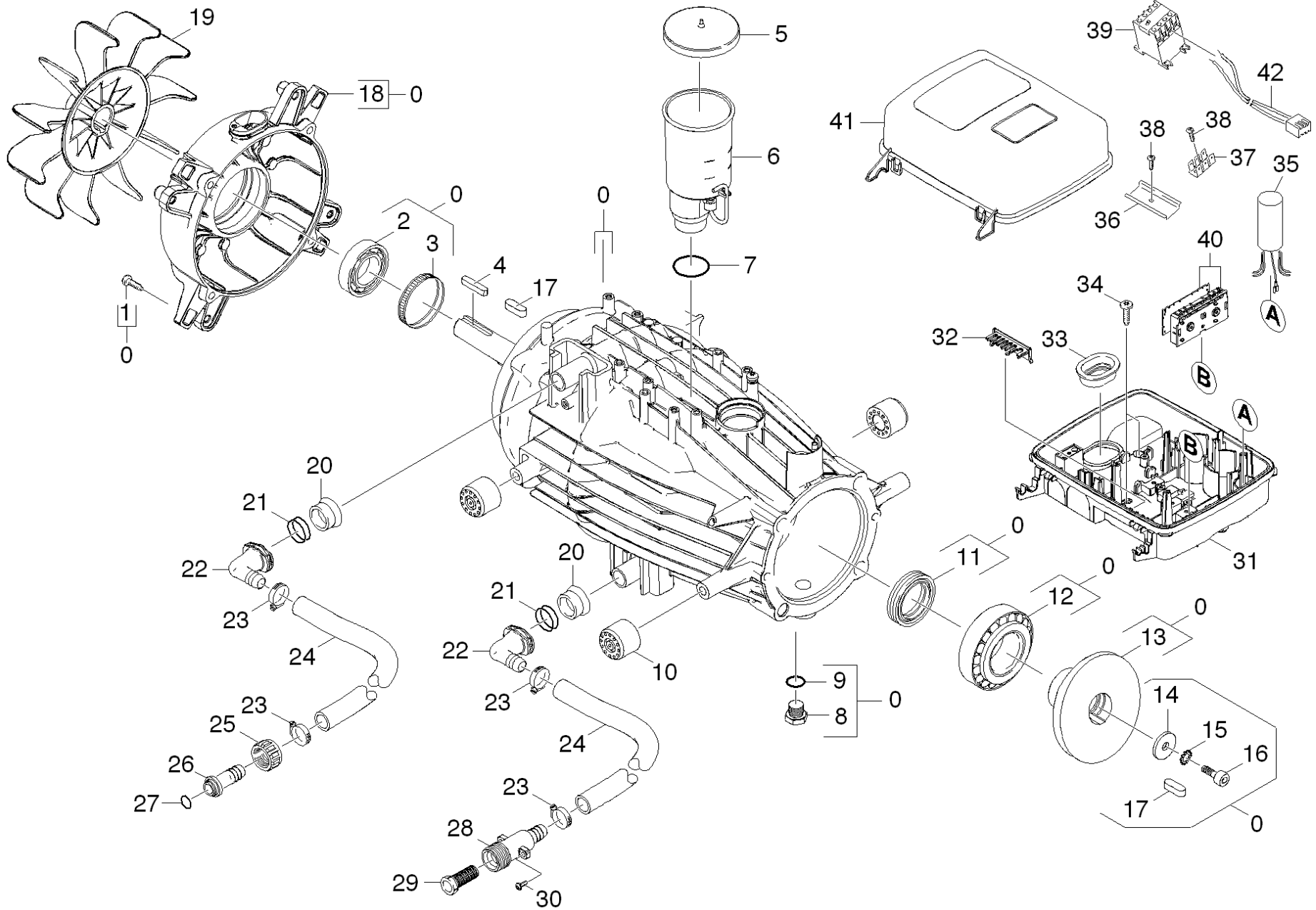


4 Piston complete (4.553-279.0)

---

<b>POS</b>	<b>Article no.</b>	<b>Description</b>	<b>Quantity</b>	<b>Unit</b>
4	6.472-331.0	Snap ring 20	1.000	ST

---



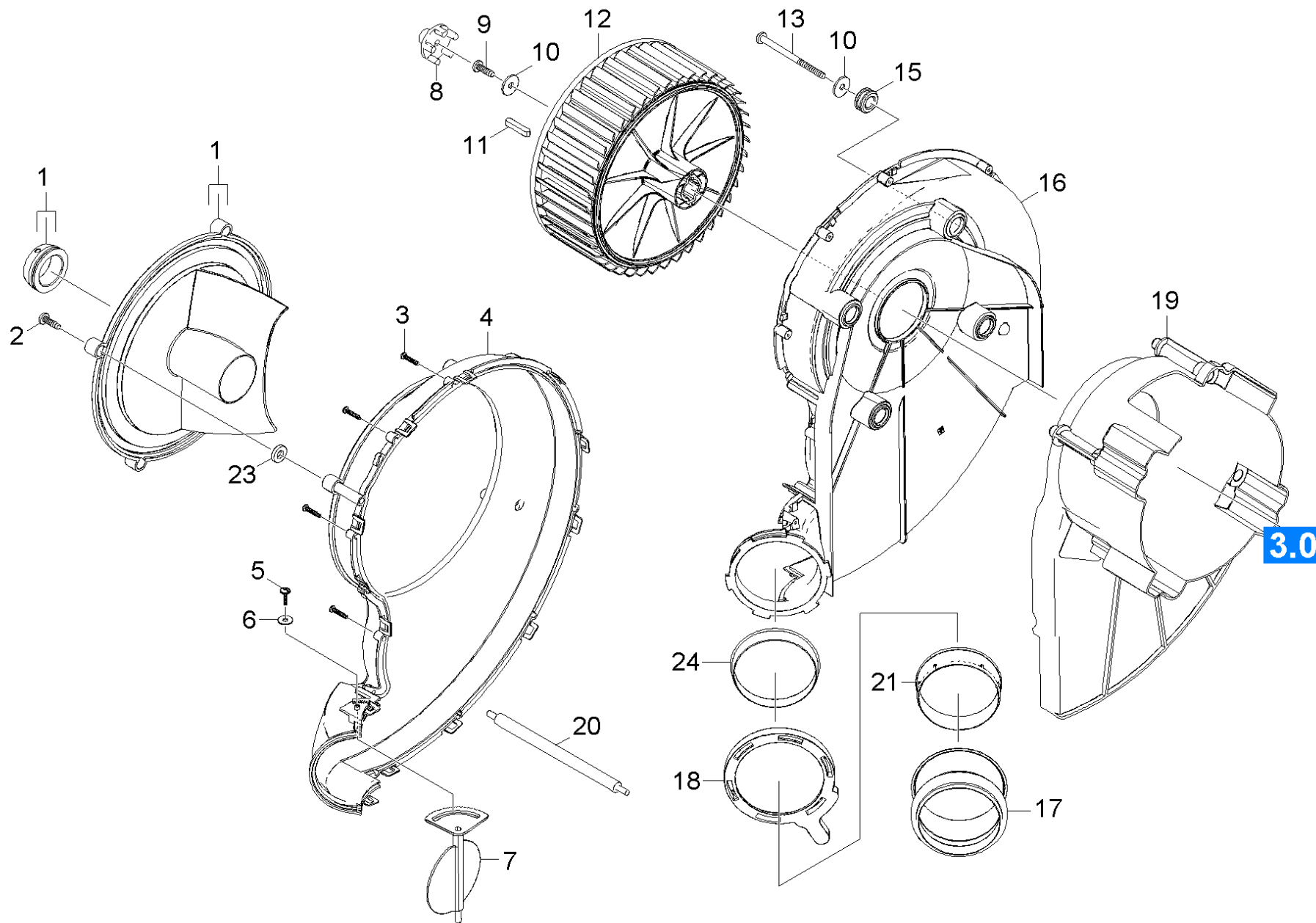


## 30 Motor

POS	Article no.	Description	Quantity	Unit	Foot note text
0	4.623-918.0	Motor complete only for replacement	1.000	ST	
1	6.303-515.0	Self-tapping screw M6x25	4.000	ST	
2	6.401-253.0	Ball bearing 6305-2Z	1.000	ST	
3	6.343-010.0	Tolerance ring 62x10	1.000	ST	
4	7.318-111.0	Parallel key A 6x6x36 -C45R DIN 6885-1	2.000	ST	
5	5.063-189.0	Cover	1.000	ST	
6	4.070-904.0	Tank only for replacement	1.000	ST	
7	6.362-722.0	O-Ring seal 28,0 X 3,0	1.000	ST	
8	5.411-100.0	Screw plug	2.000	ST	
9	6.362-458.0	O-Ring seal 11,0x2,0-NBR 70	2.000	ST	
10	5.767-005.0	Rubber buffer	4.000	ST	
11	7.367-009.0	Radial shaft seal ring A35x52x7-NBR DIN	1.000	ST	
12	6.401-405.0	Taper roller bearing	1.000	ST	
13	4.120-239.0	Wobble plate -nur für Ersatz-	1.000	ST	
14	5.115-565.0	Washer	1.000	ST	
15	7.312-159.0	Toothed lock washer A8,4-FST-PH DIN 679	1.000	ST	
16	7.306-041.0	Cylinder head screw M8x20 -8.8-A2E ISO	1.000	ST	
17	7.318-030.0	Parallel key 6x6x25 -C45R DIN 6885-1	2.000	ST	
18	5.061-186.0	Bearing cover B	1.000	ST	
19	5.600-087.0	Blower wheel	1.000	ST	
20	5.110-341.0	Sleeve	2.000	ST	
21	6.362-579.0	O-Ring seal 17,5 X 3,5	4.000	ST	
22	5.427-415.0	Manifold	2.000	ST	
23	7.373-022.0	Hose clip A-16-27x9 -W2-2 DIN3017	4.000	ST	
24	6.390-320.0	Hose DN 16	1.000	M	TO ORDER AS CUT GOODS
25	5.310-061.0	Nut R 3/4"	1.000	ST	
26	5.443-224.0	Hose stem	1.000	ZST	
27	6.362-078.0	O-Ring seal 13,3x2,4	1.000	ST	
28	5.427-432.0	Manifold	1.000	ST	
29	6.414-141.0	Strainer	1.000	ST	
30	7.303-086.0	Screw 5x30 -10.9-R2R (K-In6Rd)	2.000	ST	
31	5.061-621.0	Housing electric box	1.000	ST	
32	5.263-091.0	Tensioning part	1.000	ST	

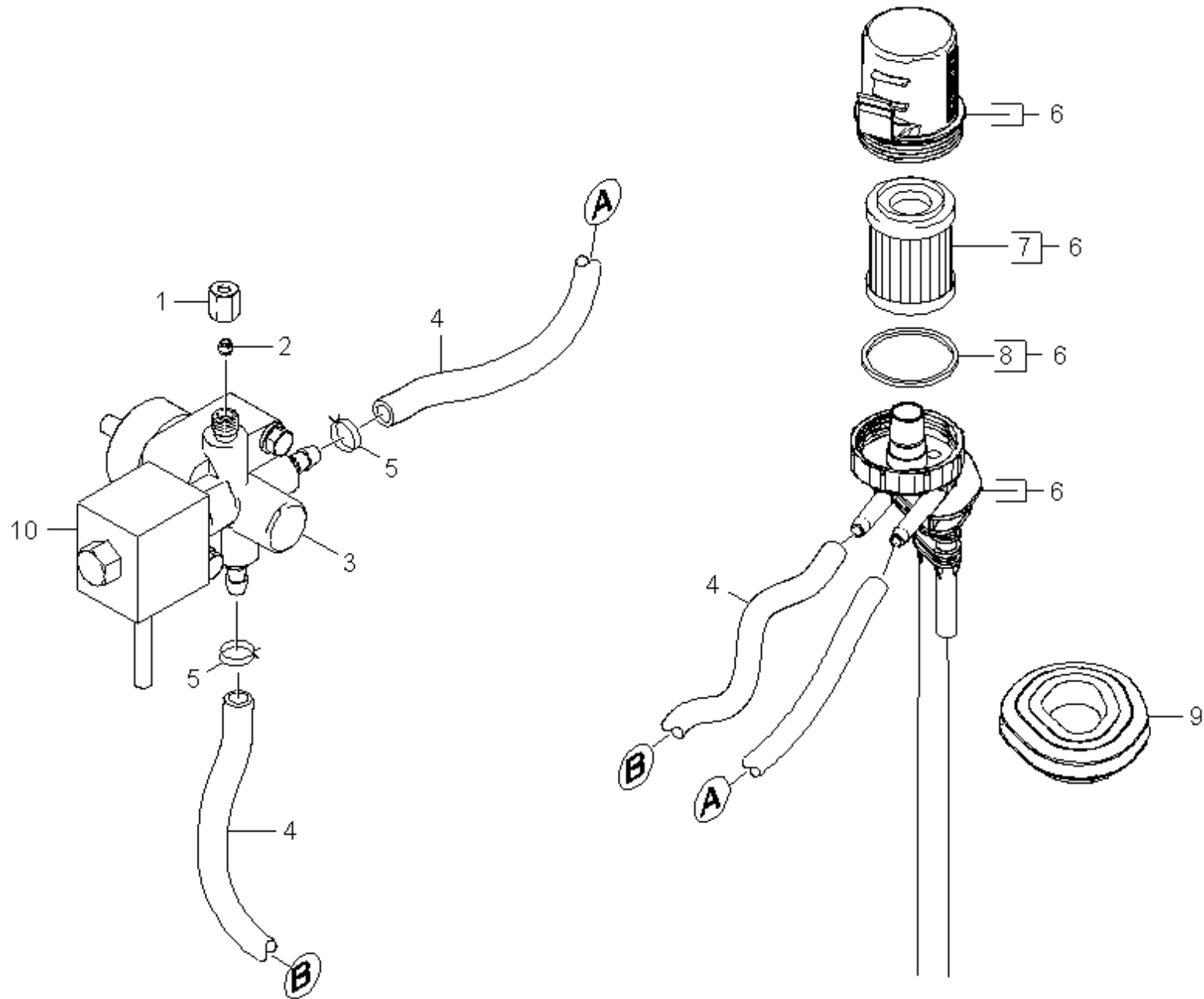
## 30 Motor

POS	Article no.	Description	Quantity	Unit	Foot note text
	<b>Item text1:</b> 1.077-802.0				
32	5.263-086.0	Tensioning part	1.000	ST	
	<b>Item text1:</b> 1.077-801.0 /-805.0 /-851.0				
33	5.365-286.0	Profile gasket	1.000	ST	
34	6.303-153.0	Screw M5x15-ST-R2R (IN6RD)	3.000	ST	
35	6.661-283.0	Interference suppressor triple-pole	1.000	ST	
	<b>Item text1:</b> 1.077-801.0 /-805.0 /-851.0				
35	4.828-010.0	Interference suppressor complete	1.000	ST	
	<b>Item text1:</b> 1.077-802.0				
36	5.802-261.0	Mounting part	1.000	ST	
37	6.641-270.0	Plug	1.000	ST	
38	7.303-106.0	Screw 4x12 -10.9-R2R (IN6RD)	2.000	ST	
39	6.632-334.0	Power contactor LC1 D32 B7	1.000	ST	
	<b>Item text1:</b> 1.077-802.0				
39	4.632-002.0	Contacteur -nur fuer Ersatz-	1.000	ST	
	<b>Item text1:</b> 1.077-801.0 /-805.0 /-851.0				
40	2.885-054.0	Frame circuit board complete	1.000	ST	
41	5.064-226.0	Cover electric box	1.000	ST	
42	6.649-384.0	Cable 2x0,35 350mm	1.000	ST	



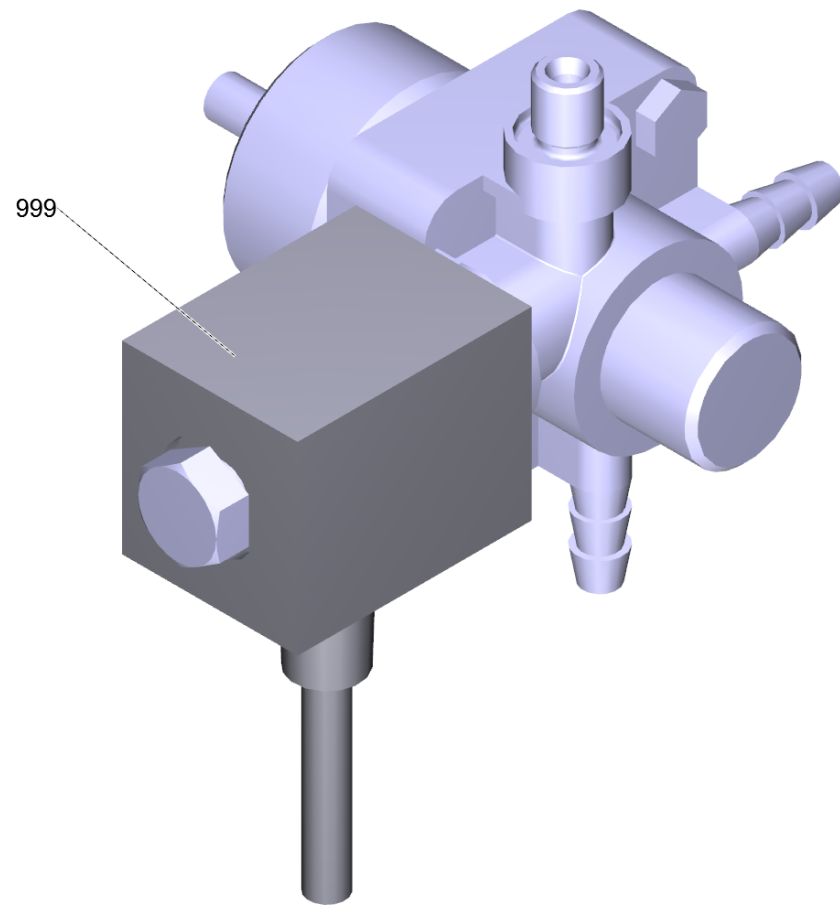
## 40 Blower

POS	Article no.	Description	Quantity	Unit
1	5.064-277.0	Cover internal part	1.000	ST
2	7.303-129.0	Screw 4x16 -10.9-R2R (K-In6Rd)	4.000	ST
3	7.303-084.0	Screw 4x25 -10.9-R2R (K-In6Rd)	14.000	ST
4	5.064-238.0	Cover blower	1.000	ST
5	7.303-107.0	Screw 5x16 -10.9-P2R (K-In6Rd)	1.000	ST
6	7.312-278.0	Washer 5-200HV-A2E ISO7093-1	1.000	ST
7	5.606-009.0	Air flap	1.000	ST
8	5.471-097.0	Coupler fuel pump	1.000	ST
9	6.304-145.0	Screw M 6X20-R3R (IN6RD)	1.000	ST
10	7.312-260.0	Washer 6 -100HV-A3E ISO 7094	5.000	ST
11	7.318-032.0	Parallel key 6x6x32-C45R DIN 6885	2.000	ST
12	5.600-084.0	Blower wheel	1.000	ST
13	6.303-517.0	Self-tapping screw M6x100	4.000	ST
15	5.379-019.0	Rubber ring	4.000	ST
16	5.605-304.0	Housing blower	1.000	ST
17	5.195-252.0	Seal air circulation	1.000	ST
18	5.075-036.0	Closure	1.000	ST
19	5.692-088.0	Air circulation	1.000	ST
20	5.043-056.0	Holder	1.000	ST
21	5.263-094.0	Tensioning part air circulation	1.000	ST
23	5.116-397.0	Washer	4.000	ST
24	5.263-096.0	Tensioning part air circulation	1.000	ST



## 50 Fuel pump

POS	Article no.	Description	Quantity	Unit	Foot note text
1	6.389-262.0	Union nut A 4-LL	1.000	ST	
2	6.389-263.0	Cutting ring d.4	1.000	ST	
3	4.473-032.0	Fuel pump only for replacement	1.000	ST	
4	6.391-820.0	Hose	1.000	M	TO ORDER AS CUT GOODS
5	6.388-559.0	Hose clip	2.000	ST	
6	4.730-167.3	Filter complete	1.000	ST	
7	6.414-559.0	Filter fuel	1.000	ST	
8	5.363-629.0	Seal	1.000	ST	
9	5.365-290.0	Rubber bushing fuel	1.000	ST	
10	6.473-554.0	Coil Brennstoffpumpe	1.000	ST	



3 Fuel pump only for replacement (4.473-032.0)

---

<b>POS</b>	<b>Article no.</b>	<b>Description</b>	<b>Quantity</b>	<b>Unit</b>
999	6.473-554.0	Coil Brennstoffpumpe	1.000	ST

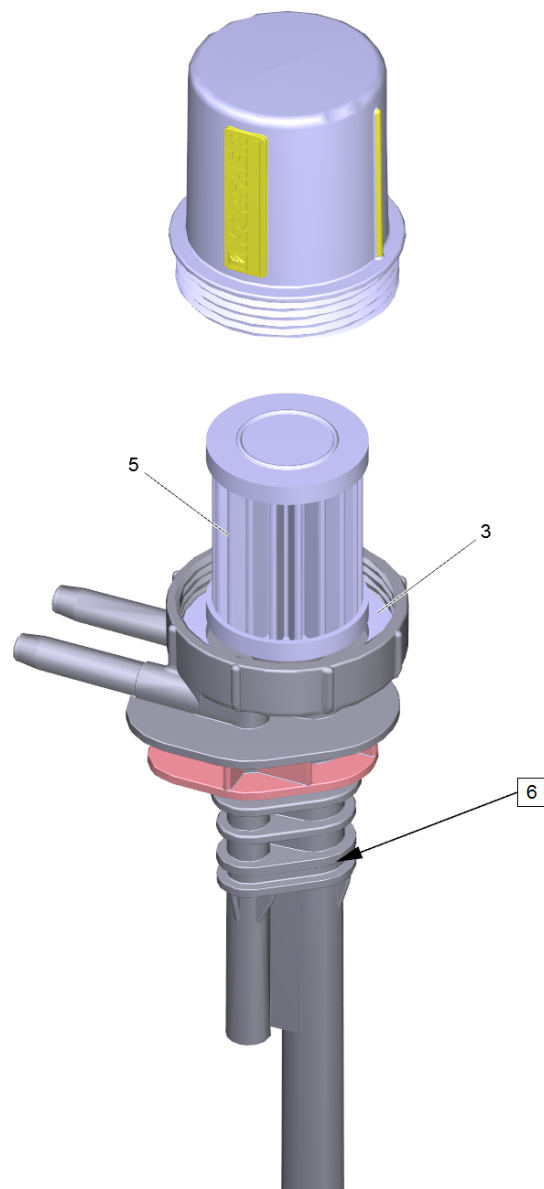


6 Filter complete (4.730-167.3)

---

<b>POS</b>	<b>Article no.</b>	<b>Description</b>	<b>Quantity</b>	<b>Unit</b>
1	4.730-167.0	Filter complete	1.000	ST

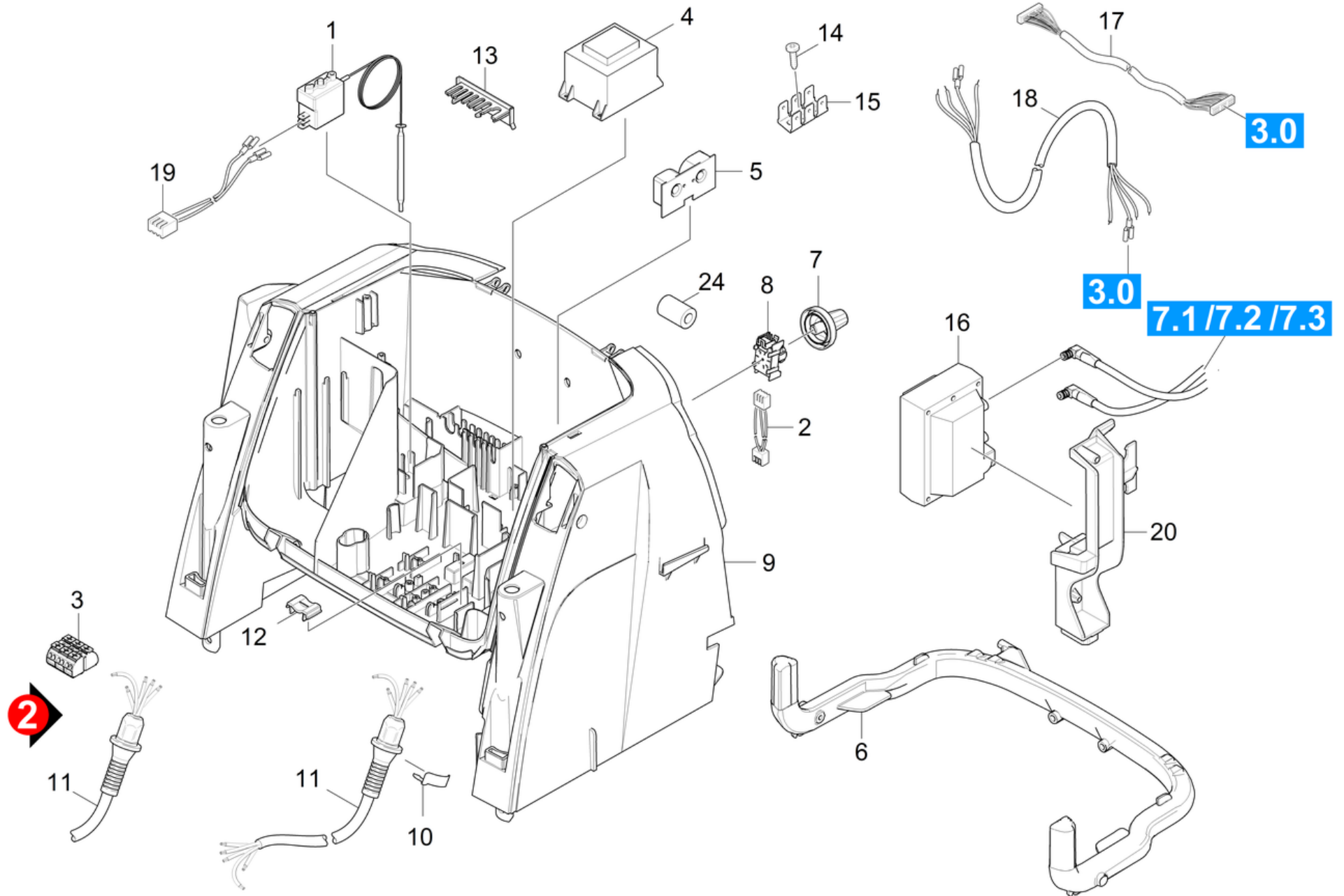
---



## 1 Filter complete (4.730-167.0)

---

<b>POS</b>	<b>Article no.</b>	<b>Description</b>	<b>Quantity</b>	<b>Unit</b>
3	5.363-629.0	Seal	1.000	ST
5	6.414-559.0	Filter fuel	1.000	ST
6	6.362-079.0	O-Ring seal 18,0 X 2,5	1.000	ST

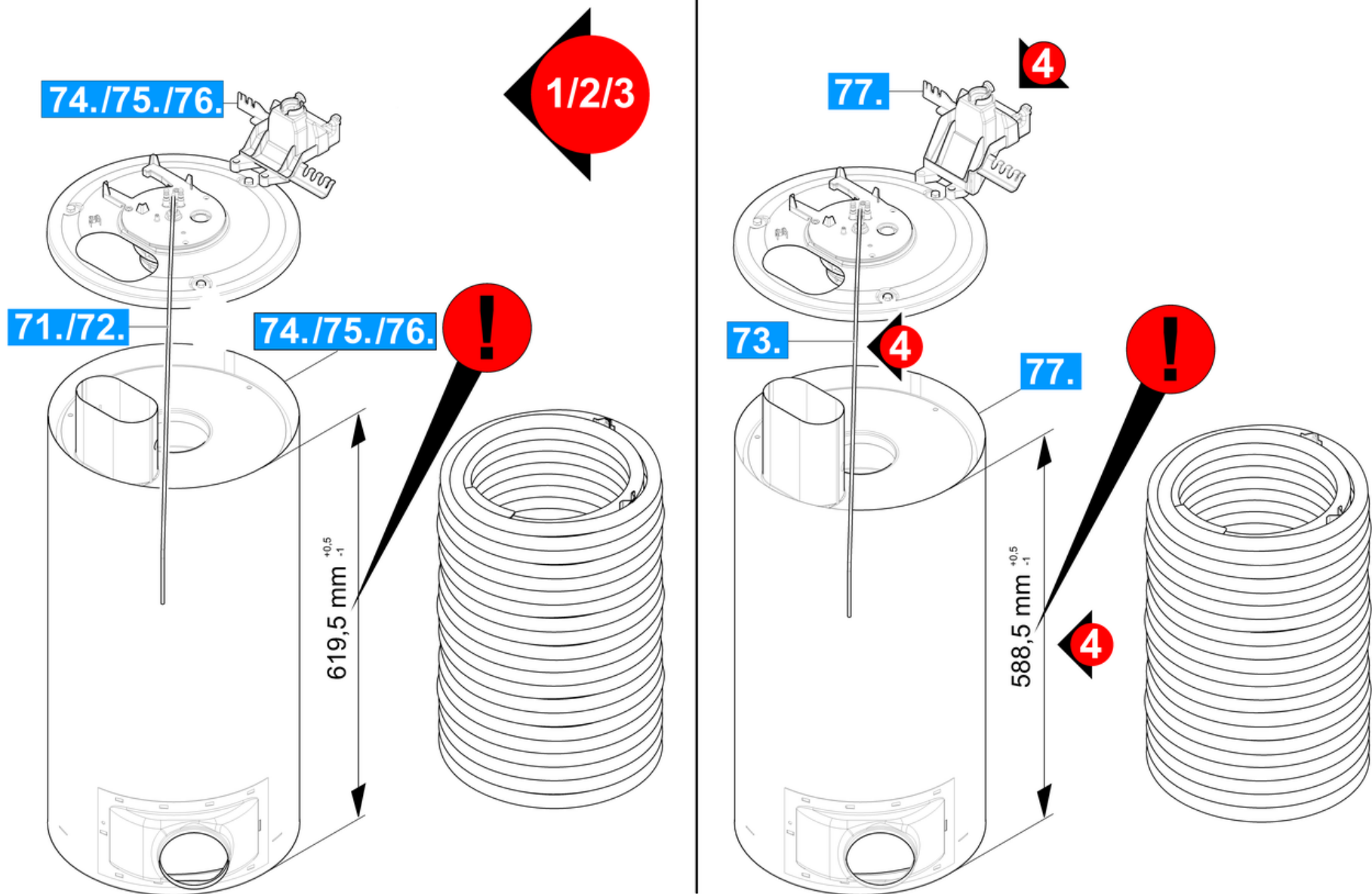


## 60 Electric control box

POS	Article no.	Description	Quantity	Unit	Remark
1	4.686-029.0	Thermostat only for replacement	1.000	ST	
2	5.820-088.0	Cable	1.000	ST	
3	6.644-364.0	Terminal clamp four-core triple-pole	1.000	ST	VERSION 2
	<b>Item text1:</b> 1.077-802.0				
4	4.622-015.0	Control transformer -nur für Ersatz-	1.000	ST	
	<b>Item text1:</b> 1.077-802.0				
4	6.622-283.3	Control transformer	1.000	ST	
	<b>Item text1:</b> 1.077-801.0 /-805.0 /-851.0				
5	6.682-881.0	Circuit board current transformer	1.000	ST	
6	5.033-111.0	Profile	1.000	ST	
7	5.324-172.0	Handle qusty grey RAL 7037	1.000	ST	
8	6.630-423.0	Switch service	1.000	ST	
9	5.801-141.0	Mounting plate	1.000	ST	
	<b>Item text1:</b> 1.077-851.0				
9	5.801-140.0	Mounting plate	1.000	ST	
	<b>Item text1:</b> 1.077-801.0 /-802.0 /-805.0				
10	6.343-186.0	Locking ring	1.000	ST	
11	6.649-644.0	Connection cable complete 4x2,5mm <sup>2</sup>	1.000	ST	VERSION 2
	<b>Item text1:</b> 1.077-802.0				
11	6.649-463.3	Cable with plug 4x1,5mm <sup>2</sup>	1.000	ST	VERSION 1
	<b>Item text1:</b> 1.077-802.0				
11	6.649-463.0	Cable with plug 4x1,5mm <sup>2</sup>	1.000	ST	
	<b>Item text1:</b> 1.077-801.0 /-805.0 /-851.0				
12	5.802-307.0	Holder cable	1.000	ST	
13	5.263-091.0	Tensioning part	1.000	ST	
	<b>Item text1:</b> 1.077-802.0				
13	5.263-086.0	Tensioning part	1.000	ST	
	<b>Item text1:</b> 1.077-801.0 /-805.0 /-851.0				
14	7.303-106.0	Screw 4x12 -10.9-R2R (IN6RD)	1.000	ST	
15	6.641-270.0	Plug	1.000	ST	
16	6.622-286.0	Ignition transformer -230V, 50Hz	1.000	ST	
	<b>Item text1:</b> 1.077-802.0				
16	6.622-275.0	Ignition transformer -400V, 50 Hz	1.000	ST	

## 60 Electric control box

POS	Article no.	Description	Quantity	Unit	Remark
	<b>Item text1:</b> 1.077-801.0 /-805.0 /-851.0				
17	2.885-110.0	Control cable complete only for replacem	1.000	ST	
18	6.649-645.0	Cable 4x2,5mm <sup>2</sup>	1.000	ST	
	<b>Item text1:</b> 1.077-802.0				
18	6.649-462.0	Cable 4x1,5mm <sup>2</sup>	1.000	ST	
	<b>Item text1:</b> 1.077-801.0 /-805.0 /-851.0				
19	6.649-383.0	Cable 2x0,35 700mm	1.000	ST	
20	5.424-140.0	Fixing	1.000	ST	
24	6.614-007.0	Ferrite ring	1.000	ST	

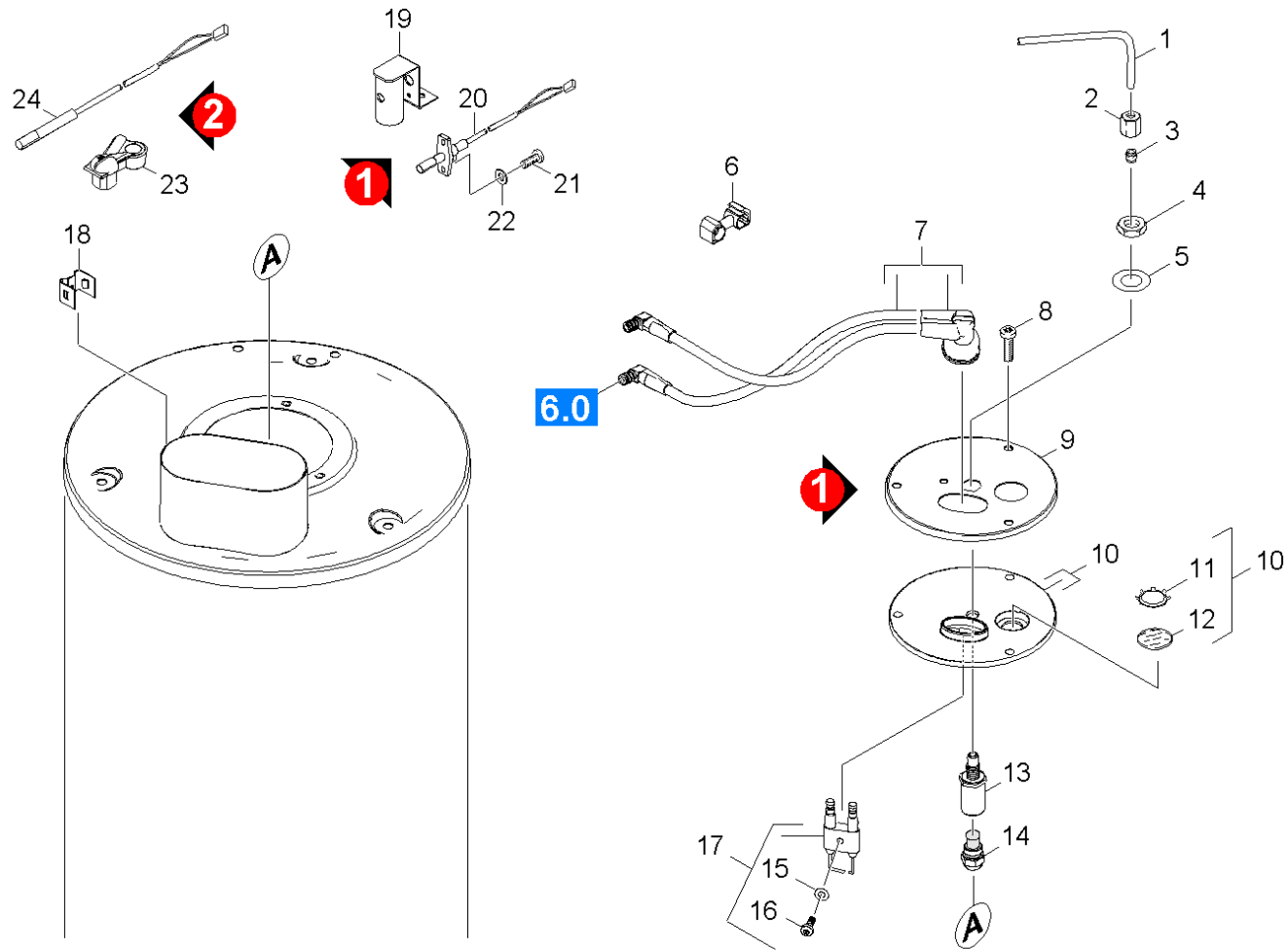


## 70 Flow heater

---

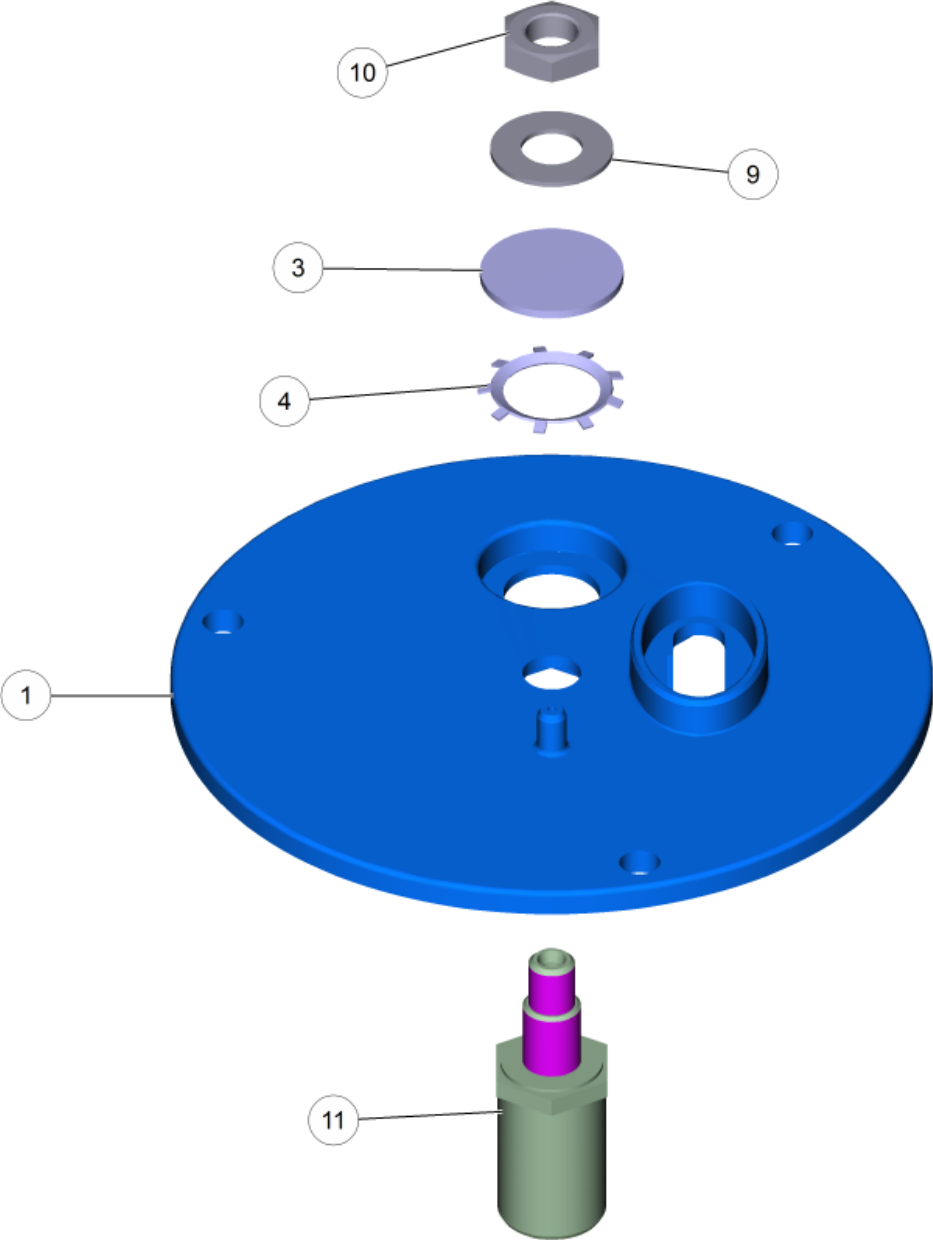
<b>POS</b>	<b>Description</b>	<b>Quantity</b>	<b>Unit</b>	<b>Remark</b>
71	Burner cover	1.000	ST	VERSION 1
72	Burner cover	1.000	ST	VERSION 2
73	Burner cover	1.000	ST	VERSION 4
74	Heating coil	1.000	ST	VERSION 1
75	Heating coil	1.000	ST	VERSION 2
76	Heating coil	1.000	ST	VERSION 3
77	Heating coil	1.000	ST	VERSION 4
78	Burner bottom	1.000	ST	





## 71 Burner cover

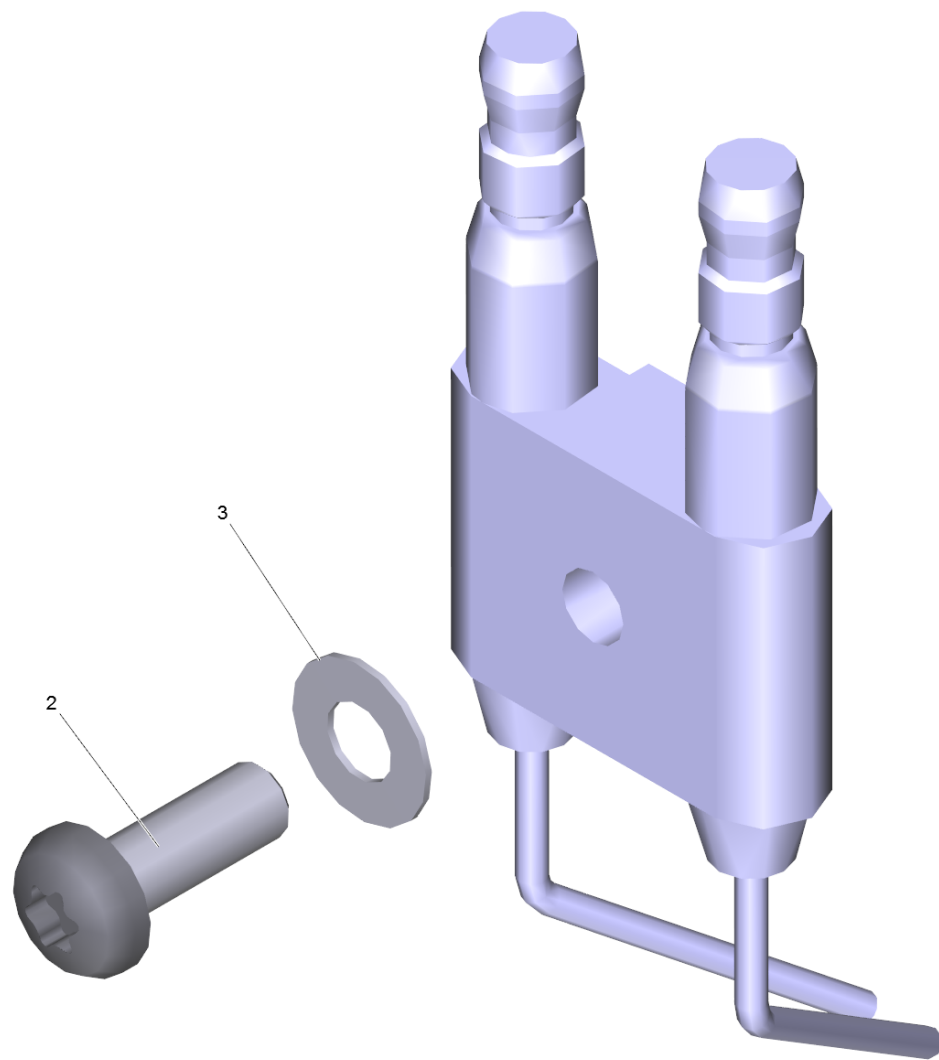
POS	Article no.	Description	Quantity	Unit	Remark
1	5.423-347.0	Conduit fuel	1.000	ST	
2	6.389-262.0	Union nut A 4-LL	1.000	ST	
3	6.389-263.0	Cutting ring d.4	1.000	ST	
4	7.311-101.0	Hexagon nut M10x1 -04-A2E ISO 8675	1.000	ST	
5	7.312-302.0	Spring washer B10-FST-A2E DIN 137	1.000	ST	
6	6.647-527.0	Holder	1.000	ST	
7	4.821-100.0	Ignition cable complete	1.000	ST	
8	7.303-038.0	Screw M5x12 -St-P2R (In6Rd)	3.000	ST	
9	5.654-059.0	Cover pressure boiler	1.000	ST	
10	4.654-218.0	Cover pressure boiler	1.000	ST	
11	6.343-165.0	Serrated ring	1.000	ST	
12	6.278-018.0	Glass pane	1.000	ST	
13	5.667-055.0	Nozzle holder	1.000	ST	
14	6.415-682.0	Nozzle 1,35GPH	1.000	ST	
15	7.312-304.0	Spring washer B 5-FST-A2E DIN 137	1.000	ST	
16	7.306-217.0	Screw M5x14 -8.8-R2R (In6Rd)	1.000	ST	
17	2.638-974.0	Conversion kit ignition electrode	1.000	ST	
18	5.034-834.0	Holder probe	1.000	ST	
19	4.043-246.0	Holder	1.000	ST	VERSION 1
	<b>Item text1:</b> 1.077-802.0				
20	6.664-052.0	Probe	1.000	ST	VERSION 1
	<b>Item text1:</b> 1.077-802.0				
21	7.303-032.0	Screw M4x12 -St-R2R (In6Rd)	2.000	ST	VERSION 1
	<b>Item text1:</b> 1.077-802.0				
22	7.312-001.0	Washer 4 -200HV-A3E ISO 7089	2.000	ST	VERSION 1
	<b>Item text1:</b> 1.077-802.0				
23	5.034-982.0	Holder photocell	1.000	ST	VERSION 2
	<b>Item text1:</b> 1.077-802.0				
24	6.664-055.0	Probe	1.000	ST	VERSION 2
	<b>Item text1:</b> 1.077-802.0				



## 10 Cover pressure boiler (4.654-218.0)

---

<b>POS</b>	<b>Article no.</b>	<b>Description</b>	<b>Quantity</b>	<b>Unit</b>
1	5.662-022.0	Burner cover	1.000	ST
3	6.278-018.0	Glass pane	1.000	ST
4	6.343-165.0	Serrated ring	1.000	ST
9	7.312-302.0	Spring washer B10-FST-A2E DIN 137	1.000	ST
10	7.311-101.0	Hexagon nut M10x1 -04-A2E ISO 8675	1.000	ST
11	5.667-055.0	Nozzle holder	1.000	ST



## 17 Conversion kit ignition electrode (2.638-974.0)

---

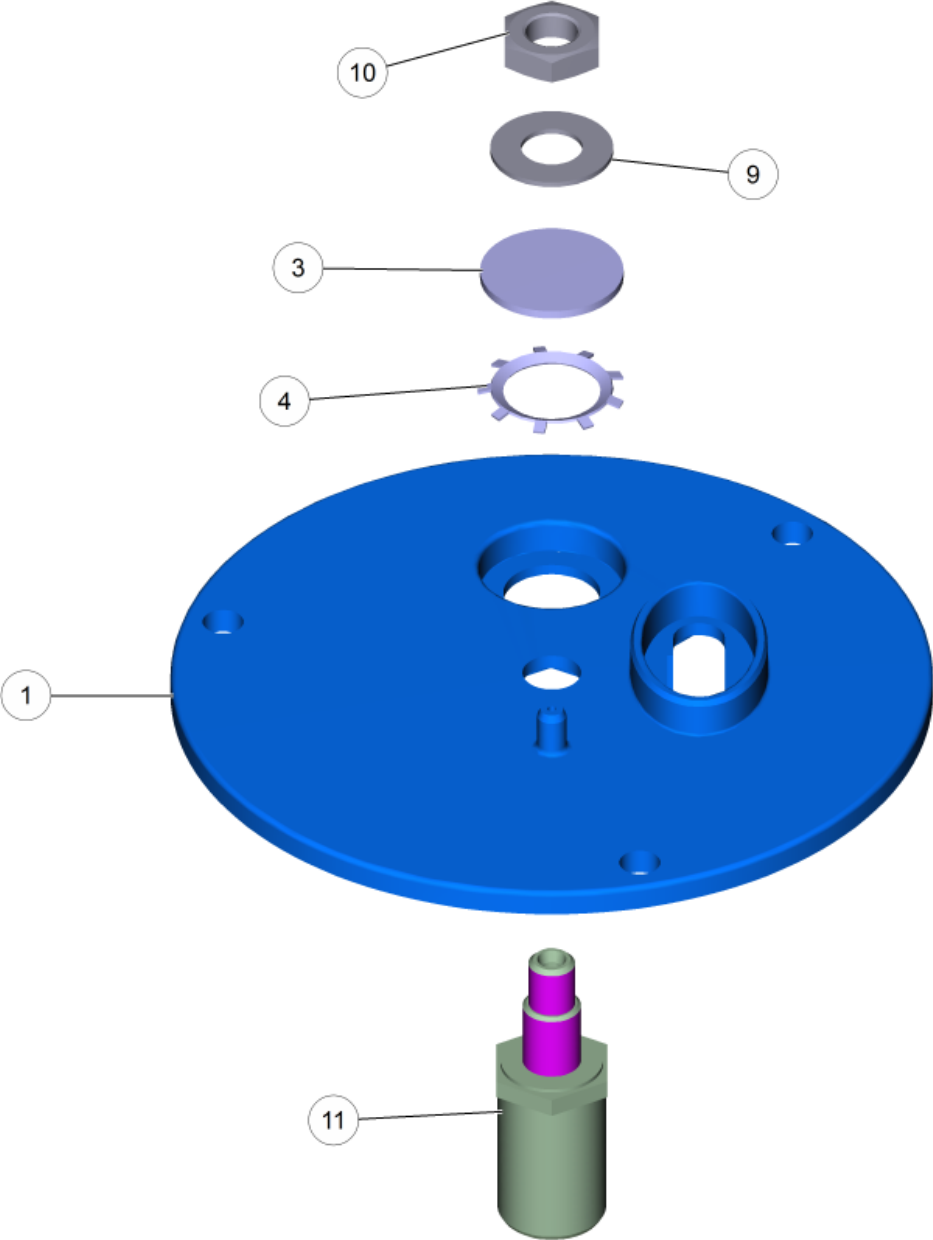
<b>POS</b>	<b>Article no.</b>	<b>Description</b>	<b>Quantity</b>	<b>Unit</b>
2	7.306-217.0	Screw M5x14 -8.8-R2R (In6Rd)	1.000	ST
3	7.312-304.0	Spring washer B 5-FST-A2E DIN 137	1.000	ST



## 72 Burner cover

POS	Article no.	Description	Quantity	Unit	Remark
1	5.423-347.0	Conduit fuel	1.000	ST	
2	6.389-262.0	Union nut A 4-LL	1.000	ST	
3	6.389-263.0	Cutting ring d.4	1.000	ST	
4	7.311-101.0	Hexagon nut M10x1 -04-A2E ISO 8675	1.000	ST	
5	7.312-302.0	Spring washer B10-FST-A2E DIN 137	1.000	ST	
6	6.647-527.0	Holder	1.000	ST	
7	4.821-100.0	Ignition cable complete	1.000	ST	
8	7.303-038.0	Screw M5x12 -St-P2R (In6Rd)	3.000	ST	
10	4.654-218.0	Cover pressure boiler	1.000	ST	
11	6.343-165.0	Serrated ring	1.000	ST	
12	6.278-018.0	Glass pane	1.000	ST	
13	5.667-055.0	Nozzle holder	1.000	ST	
14	6.415-682.0	Nozzle 1,35GPH	1.000	ST	
15	7.312-304.0	Spring washer B 5-FST-A2E DIN 137	1.000	ST	
16	7.306-217.0	Screw M5x14 -8.8-R2R (In6Rd)	1.000	ST	
17	2.638-974.0	Conversion kit ignition electrode	1.000	ST	
18	5.034-834.0	Holder probe	1.000	ST	
19	4.043-246.0	Holder	1.000	ST	VERSION 1
	<b>Item text1:</b> 1.077-802.0				
20	6.664-052.0	Probe	1.000	ST	VERSION 1
	<b>Item text1:</b> 1.077-802.0				
21	7.303-032.0	Screw M4x12 -St-R2R (In6Rd)	2.000	ST	VERSION 1
	<b>Item text1:</b> 1.077-802.0				
22	7.312-001.0	Washer 4 -200HV-A3E ISO 7089	2.000	ST	VERSION 1
	<b>Item text1:</b> 1.077-802.0				
23	5.034-982.0	Holder photocell	1.000	ST	VERSION 2
	<b>Item text1:</b> 1.077-802.0				
24	6.664-055.0	Probe	1.000	ST	VERSION 2
	<b>Item text1:</b> 1.077-802.0				

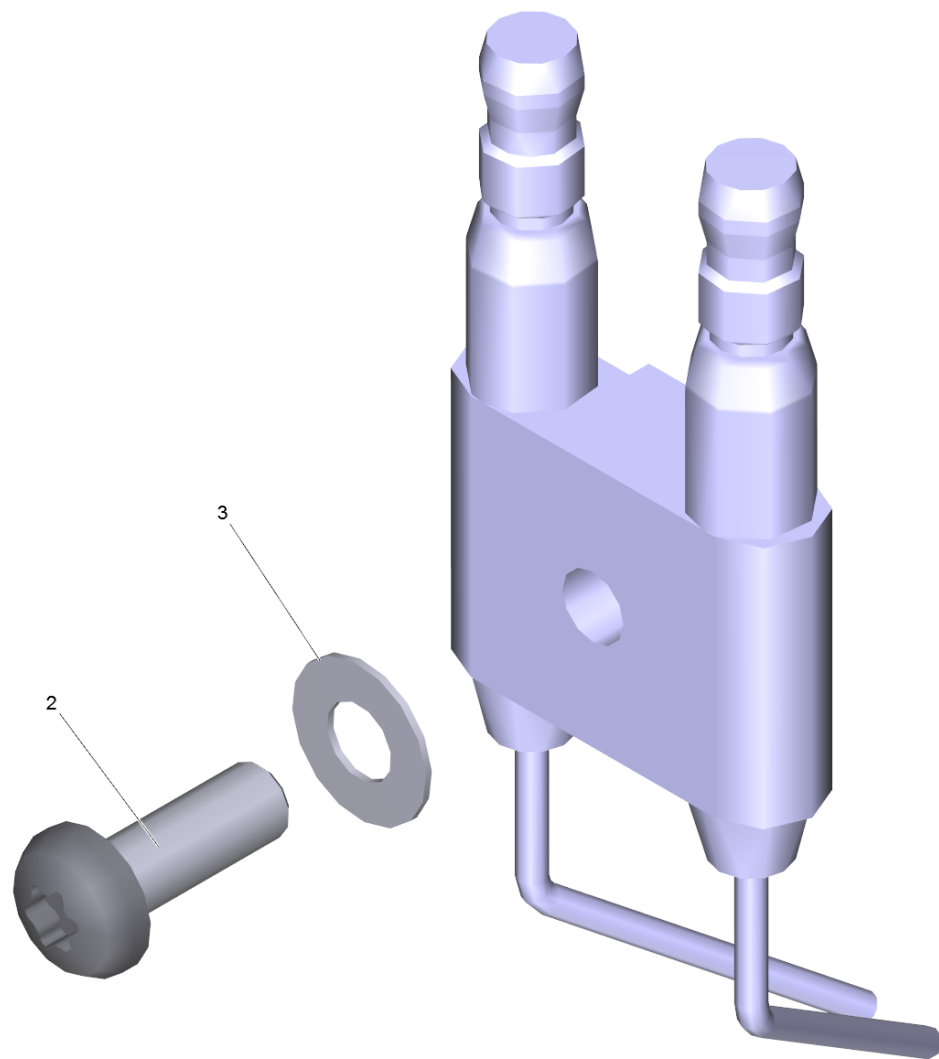




## 10 Cover pressure boiler (4.654-218.0)

---

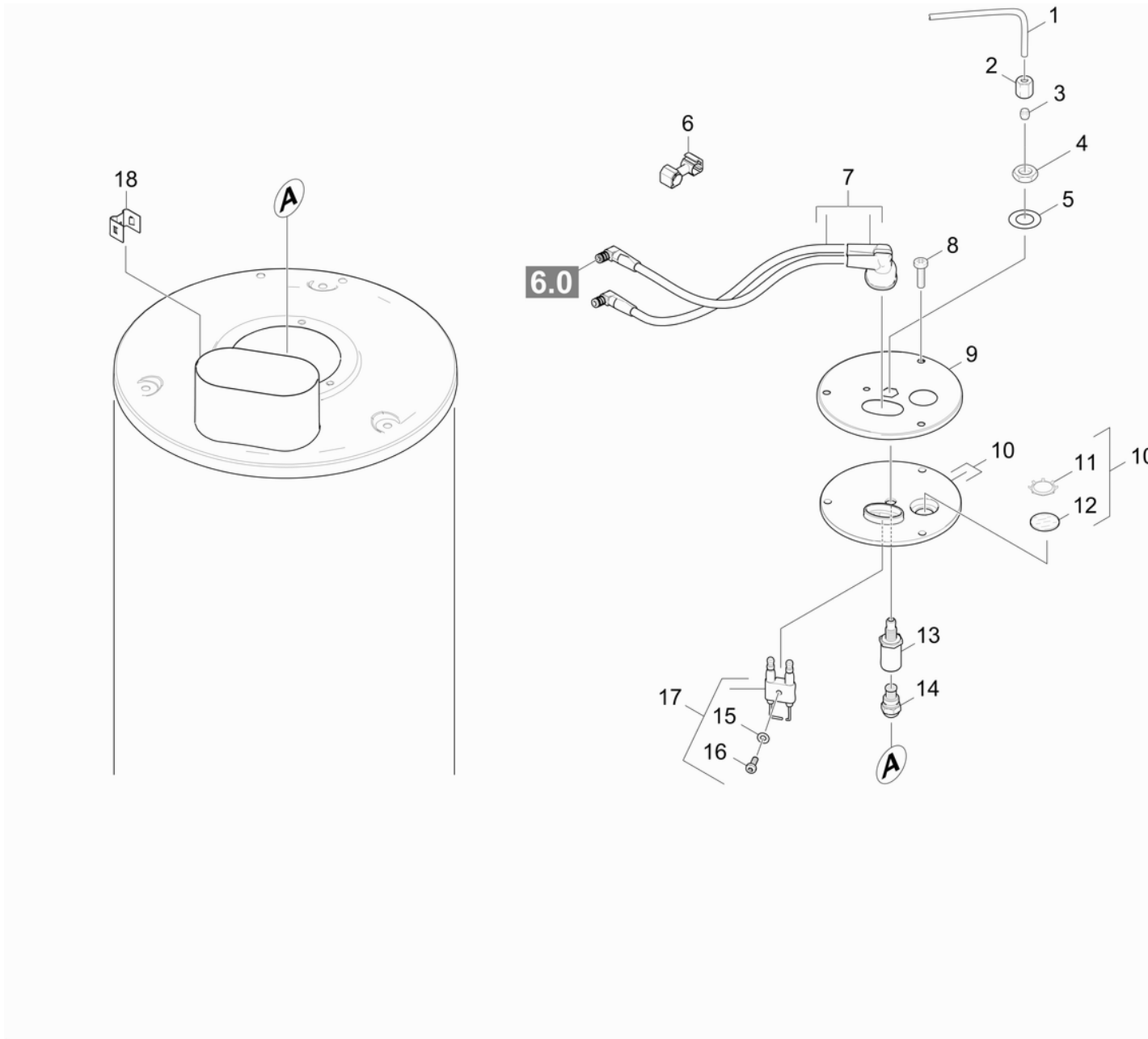
<b>POS</b>	<b>Article no.</b>	<b>Description</b>	<b>Quantity</b>	<b>Unit</b>
1	5.662-022.0	Burner cover	1.000	ST
3	6.278-018.0	Glass pane	1.000	ST
4	6.343-165.0	Serrated ring	1.000	ST
9	7.312-302.0	Spring washer B10-FST-A2E DIN 137	1.000	ST
10	7.311-101.0	Hexagon nut M10x1 -04-A2E ISO 8675	1.000	ST
11	5.667-055.0	Nozzle holder	1.000	ST



## 17 Conversion kit ignition electrode (2.638-974.0)

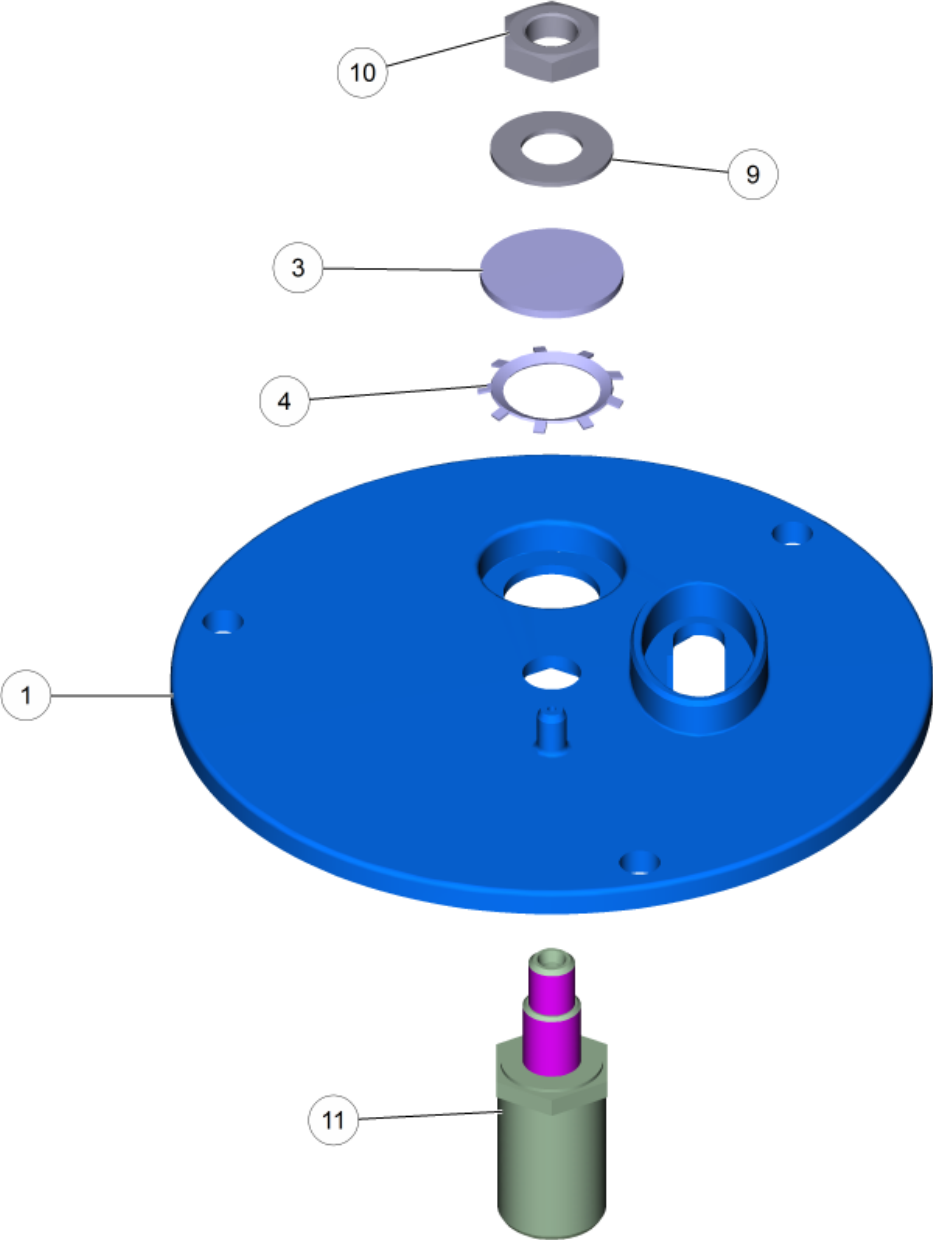
---

<b>POS</b>	<b>Article no.</b>	<b>Description</b>	<b>Quantity</b>	<b>Unit</b>
2	7.306-217.0	Screw M5x14 -8.8-R2R (In6Rd)	1.000	ST
3	7.312-304.0	Spring washer B 5-FST-A2E DIN 137	1.000	ST



## 73 Burner cover

POS	Article no.	Description	Quantity	Unit
1	5.423-008.0	Conduit fuel	1.000	ST
2	6.389-262.0	Union nut A 4-LL	1.000	ST
3	6.389-263.0	Cutting ring d.4	1.000	ST
4	7.311-101.0	Hexagon nut M10x1 -04-A2E ISO 8675	1.000	ST
5	7.312-302.0	Spring washer B10-FST-A2E DIN 137	1.000	ST
6	6.647-527.0	Holder	1.000	ST
7	4.821-100.0	Ignition cable complete	1.000	ST
8	7.303-038.0	Screw M5x12 -St-P2R (In6Rd)	3.000	ST
9	5.654-059.0	Cover pressure boiler	1.000	ST
10	4.654-218.0	Cover pressure boiler	1.000	ST
11	6.343-165.0	Serrated ring	1.000	ST
12	6.278-018.0	Glass pane	1.000	ST
13	5.667-055.0	Nozzle holder	1.000	ST
14	6.415-682.0	Nozzle 1,35GPH	1.000	ST
15	7.312-304.0	Spring washer B 5-FST-A2E DIN 137	1.000	ST
16	7.306-217.0	Screw M5x14 -8.8-R2R (In6Rd)	1.000	ST
17	2.638-974.0	Conversion kit ignition electrode	1.000	ST
18	5.034-834.0	Holder probe	1.000	ST

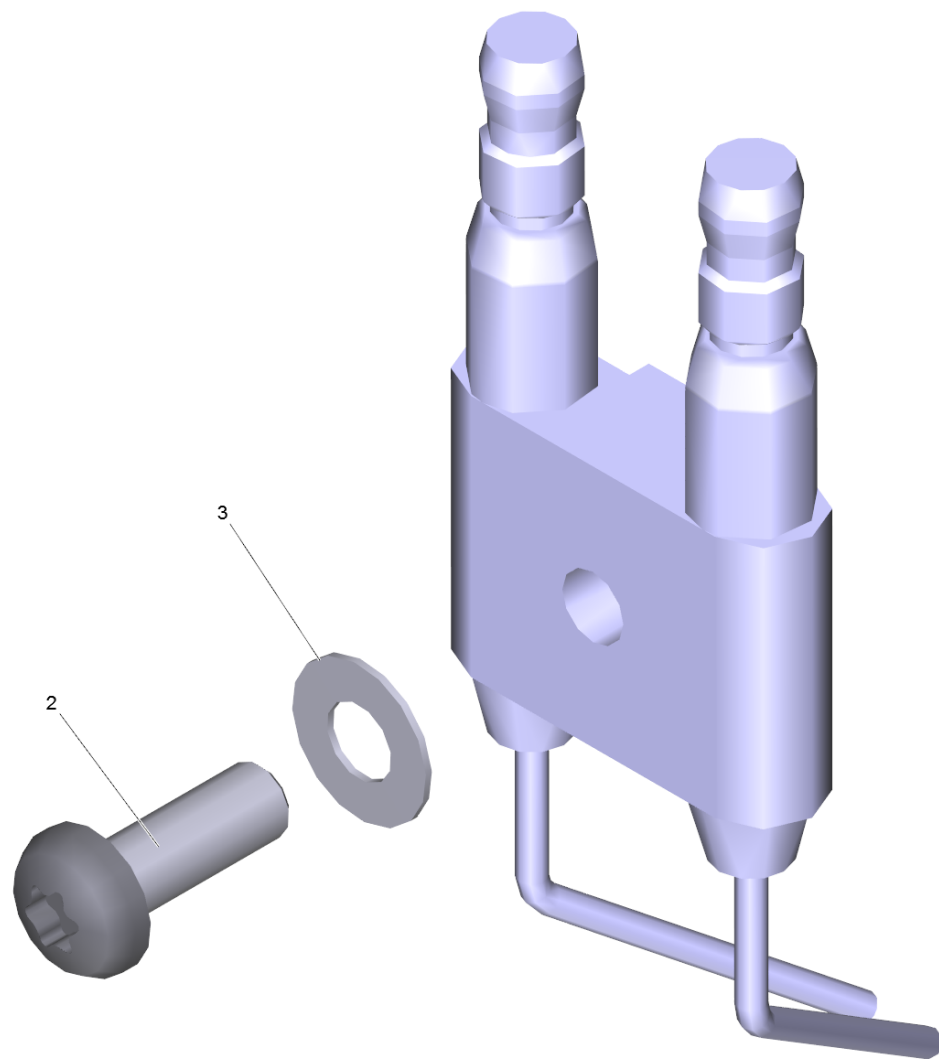


## 10 Cover pressure boiler (4.654-218.0)

---

<b>POS</b>	<b>Article no.</b>	<b>Description</b>	<b>Quantity</b>	<b>Unit</b>
1	5.662-022.0	Burner cover	1.000	ST
3	6.278-018.0	Glass pane	1.000	ST
4	6.343-165.0	Serrated ring	1.000	ST
9	7.312-302.0	Spring washer B10-FST-A2E DIN 137	1.000	ST
10	7.311-101.0	Hexagon nut M10x1 -04-A2E ISO 8675	1.000	ST
11	5.667-055.0	Nozzle holder	1.000	ST

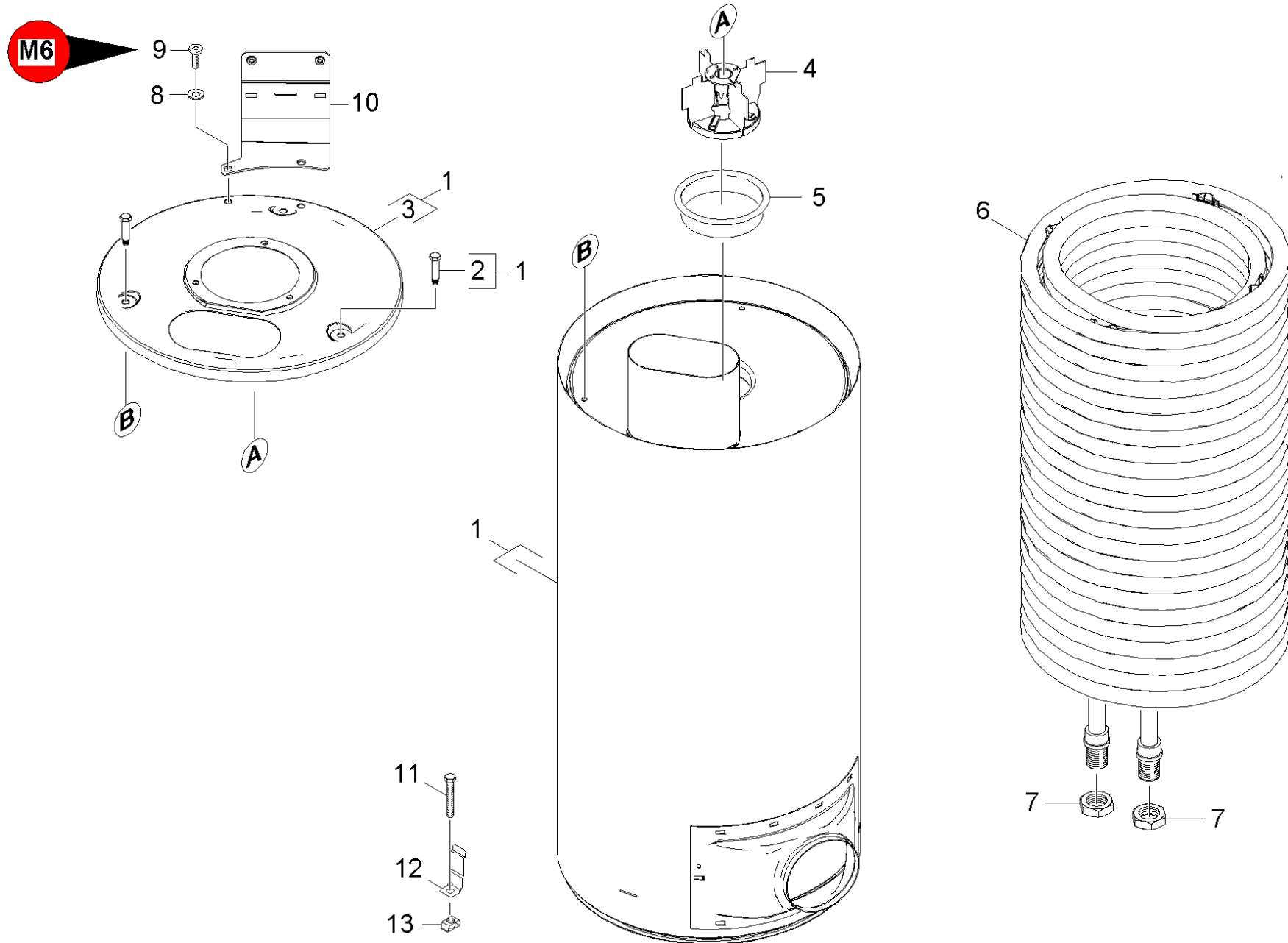




## 17 Conversion kit ignition electrode (2.638-974.0)

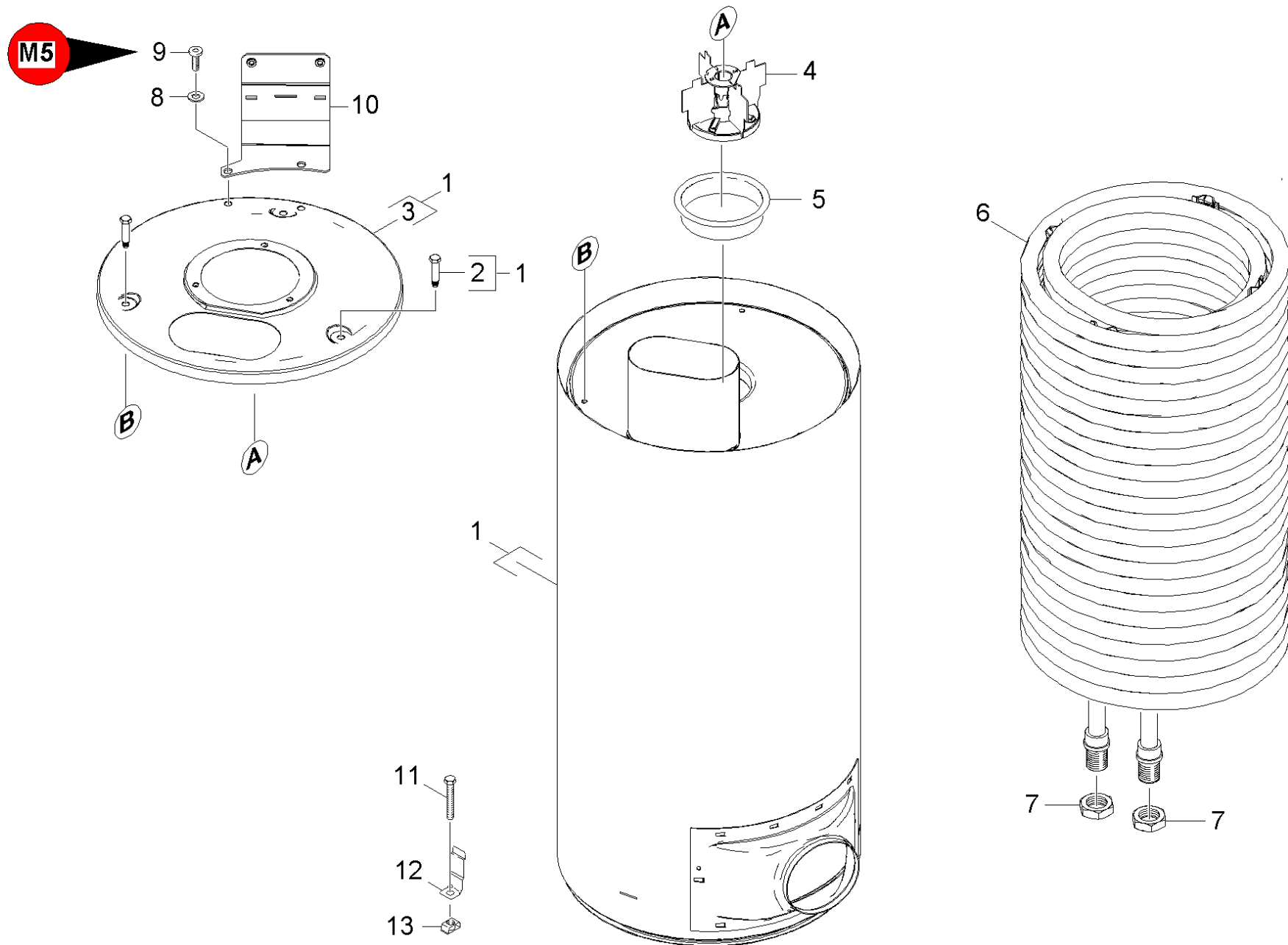
---

<b>POS</b>	<b>Article no.</b>	<b>Description</b>	<b>Quantity</b>	<b>Unit</b>
2	7.306-217.0	Screw M5x14 -8.8-R2R (In6Rd)	1.000	ST
3	7.312-304.0	Spring washer B 5-FST-A2E DIN 137	1.000	ST



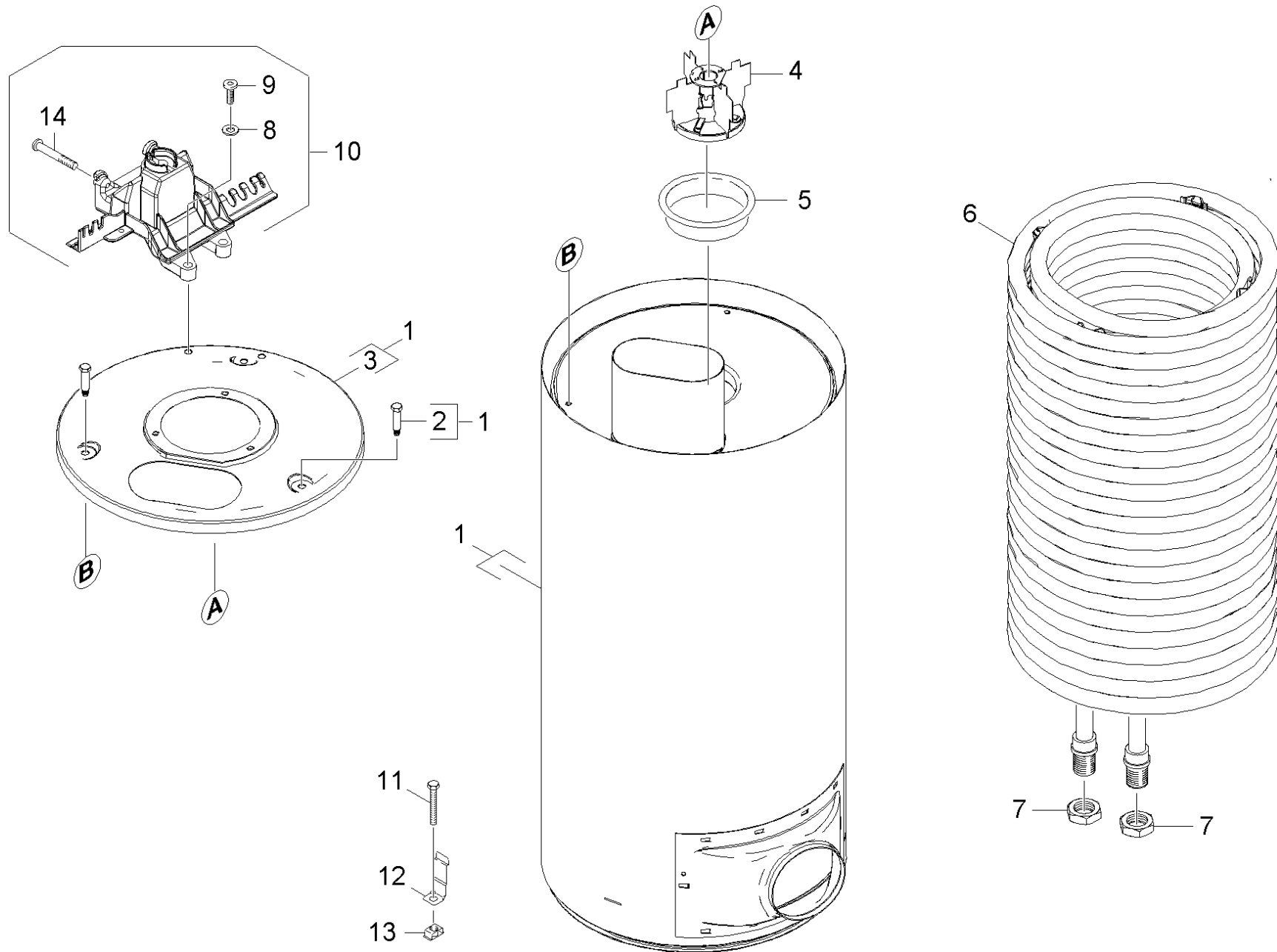
## 74 Heating coil

POS	Article no.	Description	Quantity	Unit	Remark
1	4.652-139.0	Outer covering complete	1.000	ST	
2	6.303-258.0	Self-tapping screw	3.000	ST	
3	4.654-196.0	Cover pressure boiler	1.000	ST	
4	4.663-088.0	Baffle plate complete	1.000	ST	
5	5.664-256.0	Burner part	1.000	ST	
6	4.680-137.0	Heating coil VA	1.000	ST	( VA )
	<b>Item text1:</b> 1.077-805.0				
6	4.680-135.0	Heating coil	1.000	ST	
	<b>Item text1:</b> 1.077-801.0 /-802.0 /-851.0				
7	7.311-155.0	Hexagon nut M22x1,5 -Cu2 DIN 936	2.000	ST	
	<b>Item text1:</b> 1.077-805.0				
7	7.311-112.0	Hexagon nut M22X1,5 -22H-A2E DIN 936	2.000	ST	
	<b>Item text1:</b> 1.077-801.0 /-802.0 /-851.0				
8	7.312-276.0	Washer 6 -200HV-A2E ISO7093-1	2.000	ST	
9	7.306-090.0	Screw M6x16 -8.8-R3R (In6Rd)	2.000	ST	
10	5.762-378.0	Bracket	1.000	ST	
11	7.304-051.0	Hexagonal head screw M 8x16-8.8-P2R EN	3.000	ST	
12	5.044-420.0	Holder	3.000	ST	
13	6.310-081.0	Cage nut M 8	3.000	ST	



## 75 Heating coil

POS	Article no.	Description	Quantity	Unit	Remark
1	4.652-139.0	Outer covering complete	1.000	ST	
2	6.303-258.0	Self-tapping screw	3.000	ST	
3	5.654-051.0	Cover pressure boiler	1.000	ST	
4	4.663-088.0	Baffle plate complete	1.000	ST	
5	5.664-256.0	Burner part	1.000	ST	
6	4.680-137.0	Heating coil VA	1.000	ST	( VA )
	<b>Item text1:</b> 1.077-805.0				
6	4.680-135.0	Heating coil	1.000	ST	
	<b>Item text1:</b> 1.077-801.0 /-802.0 /-851.0				
7	7.311-155.0	Hexagon nut M22x1,5 -Cu2 DIN 936	2.000	ST	
	<b>Item text1:</b> 1.077-805.0				
7	7.311-112.0	Hexagon nut M22X1,5 -22H-A2E DIN 936	2.000	ST	
	<b>Item text1:</b> 1.077-801.0 /-802.0 /-851.0				
8	7.312-278.0	Washer 5-200HV-A2E ISO7093-1	2.000	ST	
9	7.303-038.0	Screw M5x12 -St-P2R (In6Rd)	2.000	ST	
10	5.762-378.0	Bracket	1.000	ST	
11	7.304-051.0	Hexagonal head screw M 8x16-8.8-P2R EN	3.000	ST	
12	5.044-420.0	Holder	3.000	ST	
13	6.310-081.0	Cage nut M 8	3.000	ST	



## 76 Heating coil

POS	Article no.	Description	Quantity	Unit	Remark
1	4.652-139.0	Outer covering complete	1.000	ST	
2	6.303-258.0	Self-tapping screw	3.000	ST	
3	5.654-051.0	Cover pressure boiler	1.000	ST	
4	4.663-088.0	Baffle plate complete	1.000	ST	
5	5.664-256.0	Burner part	1.000	ST	
6	4.680-137.0	Heating coil VA	1.000	ST	( VA )
	<b>Item text1:</b> 1.077-805.0				
6	4.680-135.0	Heating coil	1.000	ST	
	<b>Item text1:</b> 1.077-801.0 /-802.0 /-851.0				
7	7.311-155.0	Hexagon nut M22x1,5 -Cu2 DIN 936	2.000	ST	
	<b>Item text1:</b> 1.077-805.0				
7	7.311-112.0	Hexagon nut M22X1,5 -22H-A2E DIN 936	2.000	ST	
	<b>Item text1:</b> 1.077-801.0 /-802.0 /-851.0				
8	7.312-278.0	Washer 5-200HV-A2E ISO7093-1	2.000	ST	
9	6.303-320.0	Screw M 5x 20-St-R2R	2.000	ST	
10	2.882-691.0	Conversion kit holder small Kessel	1.000	ST	
11	7.304-051.0	Hexagonal head screw M 8x16-8.8-P2R EN	3.000	ST	
12	5.044-420.0	Holder	3.000	ST	
13	6.310-081.0	Cage nut M 8	3.000	ST	
14	7.303-111.0	Screw 5x50 -10.9-R2R (K-In6Rd)	2.000	ST	



10 Conversion kit holder small Kessel (2.882-691.0)

---

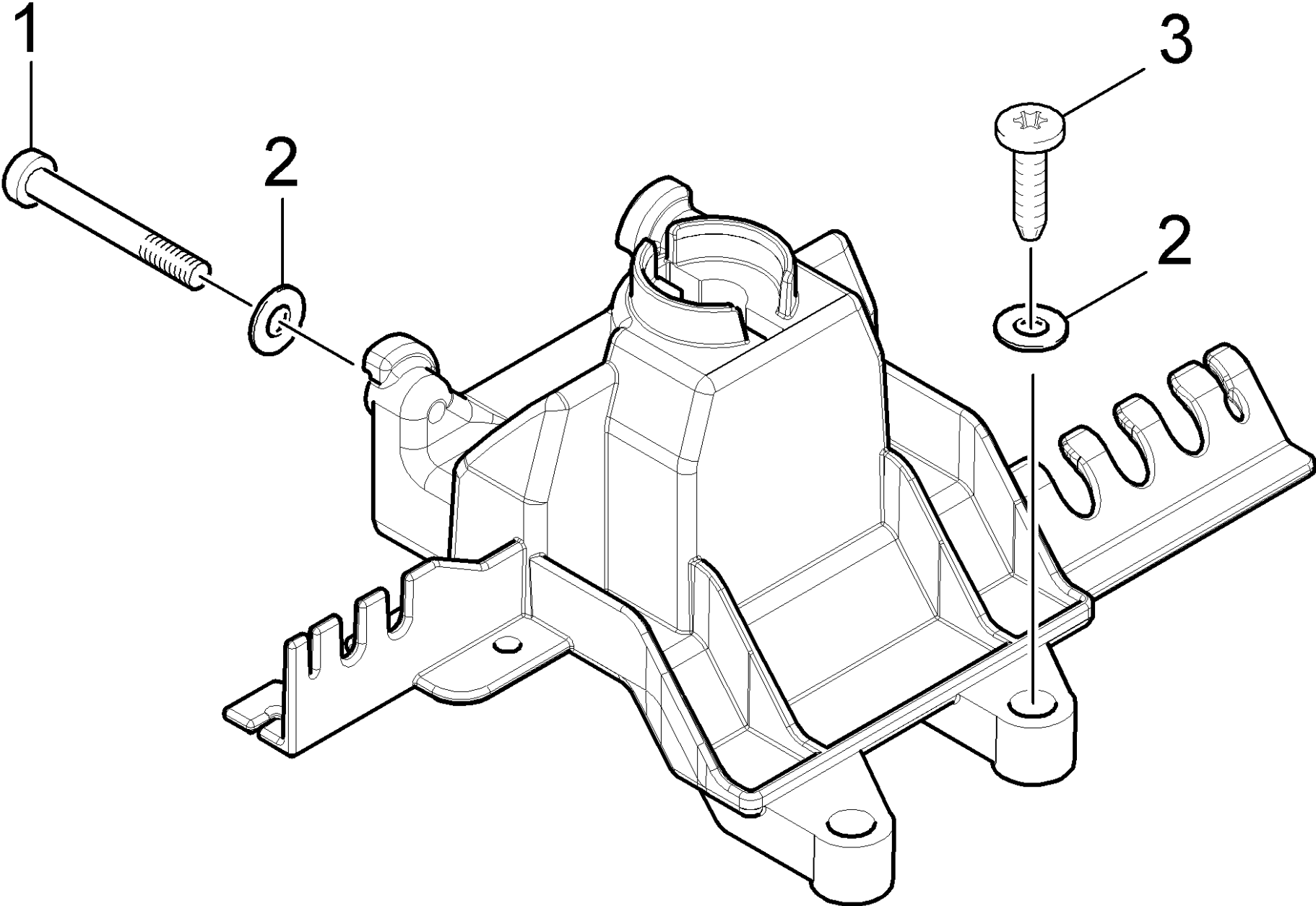
<b>POS</b>	<b>Article no.</b>	<b>Description</b>	<b>Quantity</b>	<b>Unit</b>
6	5.953-327.0	Spare parts list reversion kit holder kl	1.000	ST

6 Spare parts list reversion kit holder kl (5.953-327.0)

---

<b>POS</b>	<b>Description</b>	<b>Quantity</b>	<b>Unit</b>
10	Conversion kit holder boiler	1.000	ST

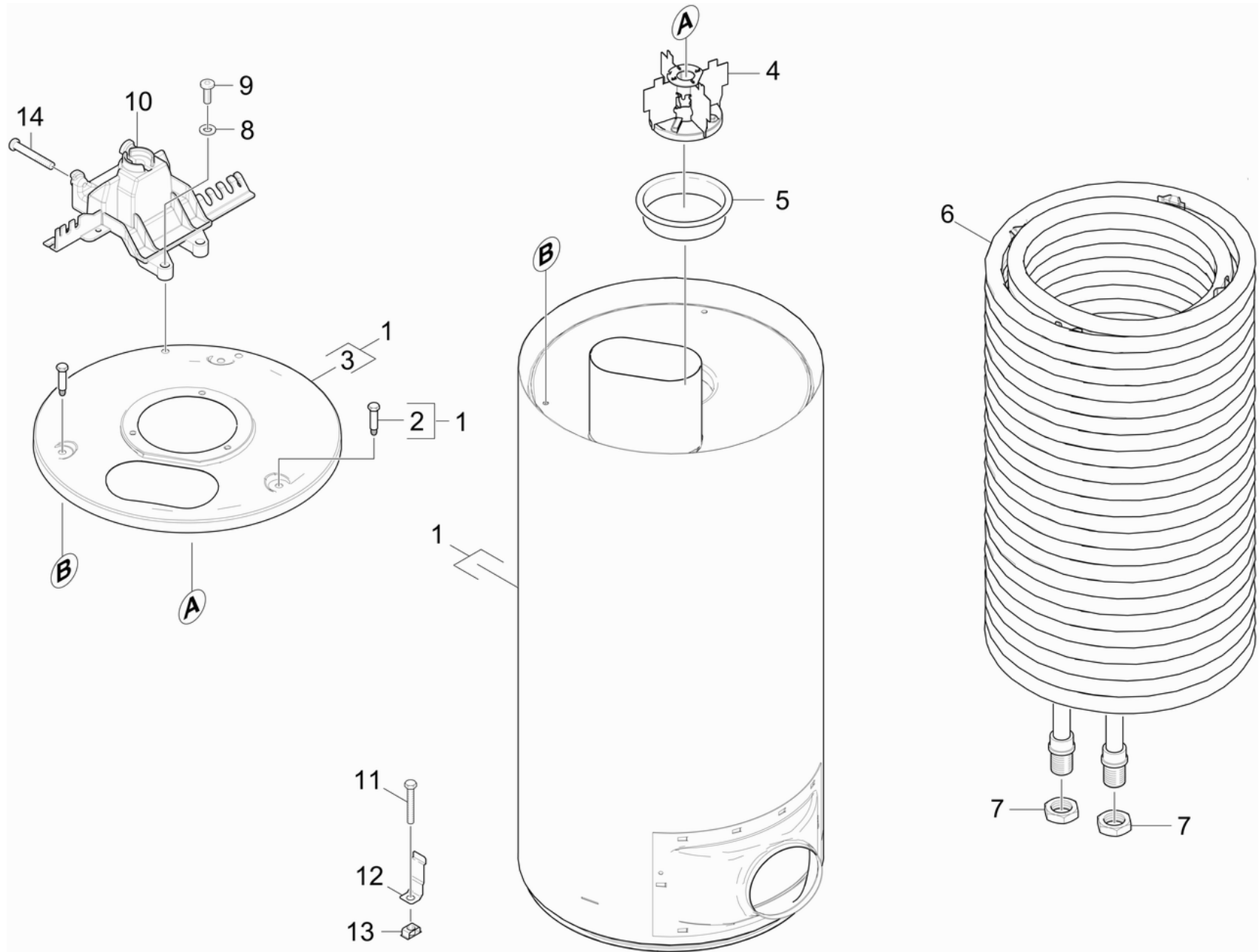
---



## 10 Conversion kit holder boiler

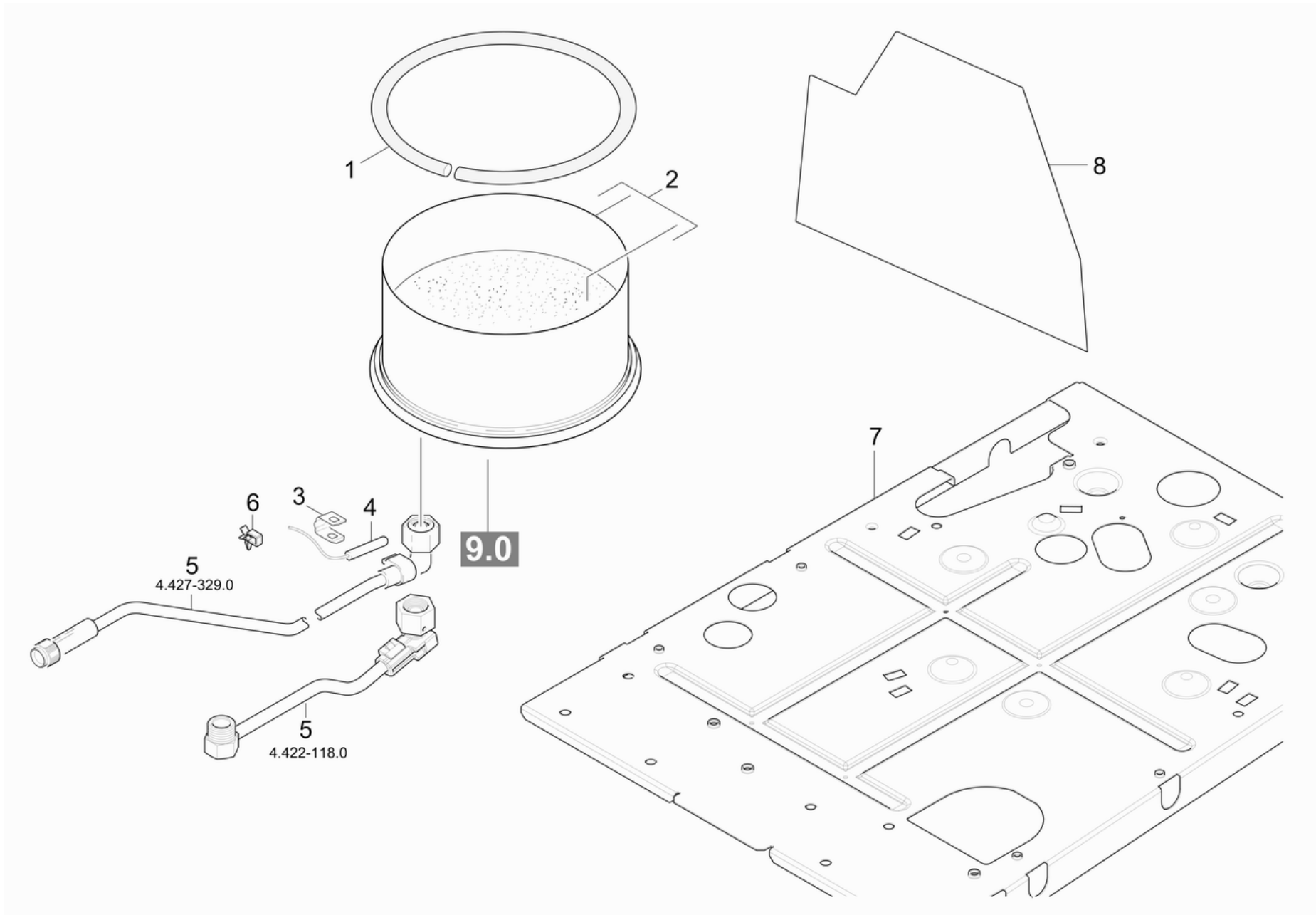
---

<b>POS</b>	<b>Article no.</b>	<b>Description</b>	<b>Quantity</b>	<b>Unit</b>
1	7.303-111.0	Screw 5x50 -10.9-R2R (K-In6Rd)	2.000	ST
2	7.312-278.0	Washer 5-200HV-A2E ISO7093-1	4.000	ST
3	6.303-320.0	Screw M 5x 20-St-R2R	2.000	ST



## 77 Heating coil

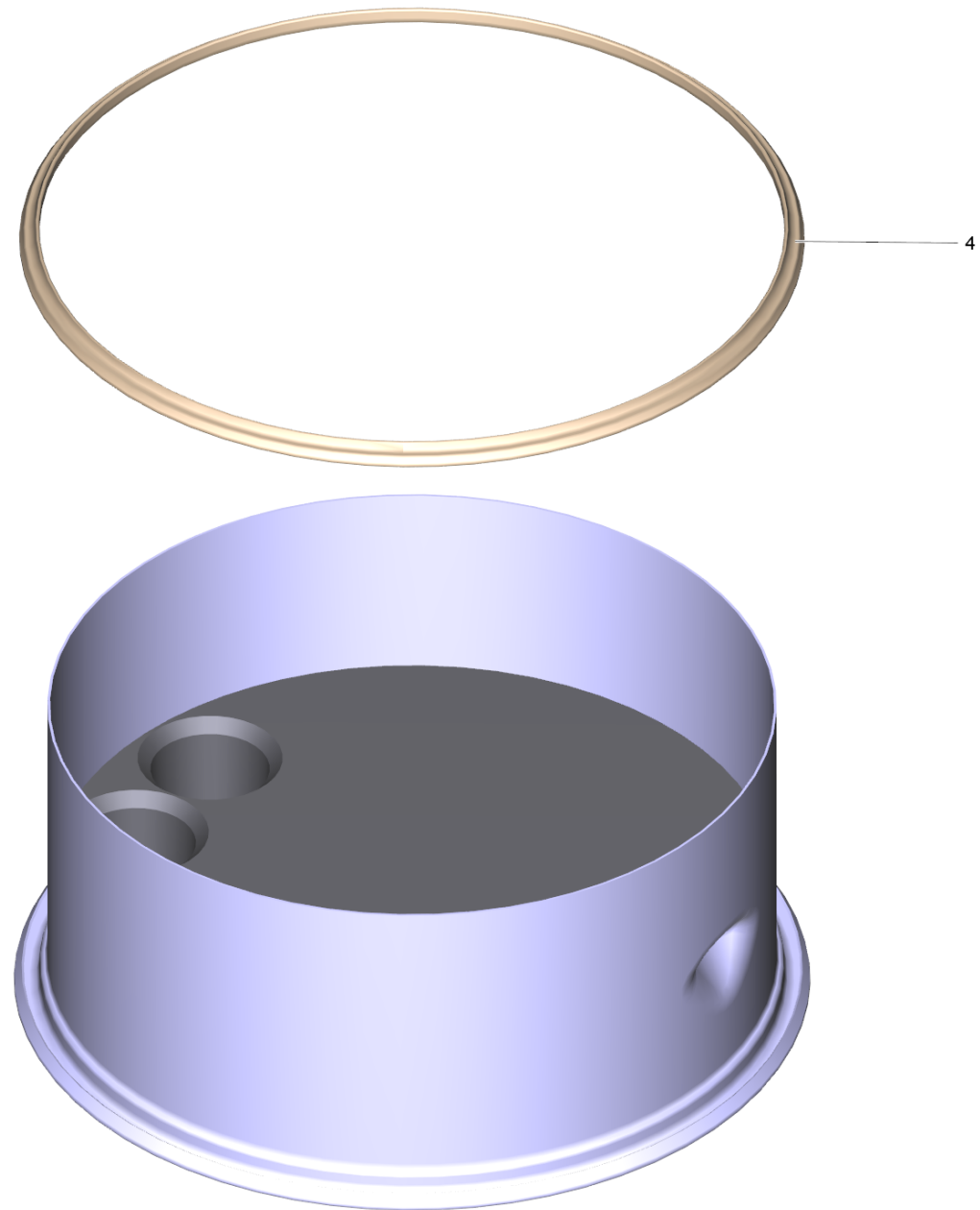
POS	Article no.	Description	Quantity	Unit	Remark
1	4.652-004.0	Outer covering complete	1.000	ST	
2	6.303-258.0	Self-tapping screw	3.000	ST	
3	5.654-051.0	Cover pressure boiler	1.000	ST	
4	4.663-088.0	Baffle plate complete	1.000	ST	
5	5.664-256.0	Burner part	1.000	ST	
6	4.680-135.0	Heating coil	1.000	ST	
	<b>Item text1:</b> 1.077-801.0 /-802.0 /-851.0				
6	4.680-114.0	Heating coil VA	1.000	ST	( VA )
	<b>Item text1:</b> 1.077-805.0				
7	7.311-155.0	Hexagon nut M22x1,5 -Cu2 DIN 936	2.000	ST	
	<b>Item text1:</b> 1.077-805.0				
7	7.311-112.0	Hexagon nut M22X1,5 -22H-A2E DIN 936	2.000	ST	
	<b>Item text1:</b> 1.077-801.0 /-802.0 /-851.0				
8	7.312-278.0	Washer 5-200HV-A2E ISO7093-1	2.000	ST	
9	6.303-320.0	Screw M 5x 20-St-R2R	2.000	ST	
10	5.412-001.0	Holder Kessel ovale Heizschlange	1.000	ST	
11	7.304-051.0	Hexagonal head screw M 8x16-8.8-P2R EN	3.000	ST	
12	5.044-420.0	Holder	3.000	ST	
13	6.310-081.0	Cage nut M 8	3.000	ST	
14	7.303-111.0	Screw 5x50 -10.9-R2R (K-In6Rd)	2.000	ST	



## 78 Burner bottom

POS	Article no.	Description	Quantity	Unit
1	6.366-009.0	Seal string	1.000	ST
2	4.655-044.0	Bottom pressure boiler	1.000	ST
3	5.263-064.0	Tensioning part	1.000	ST
4	4.686-031.0	Thermostat only for replacement	1.000	ST
5	4.427-329.0	Manifold complete	1.000	ST
	<b>Item text1:</b> 1.077-801.0 /-802.0 /-805.0			
5	4.422-118.0	Pipelines	1.000	ST
	<b>Item text1:</b> 1.077-851.0			
6	6.970-929.0	Clip	1.000	ST
7	5.051-114.0	Base plate boiler	1.000	ST
8	5.424-142.0	Foil shield	1.000	ST





2 Bottom pressure boiler (4.655-044.0)

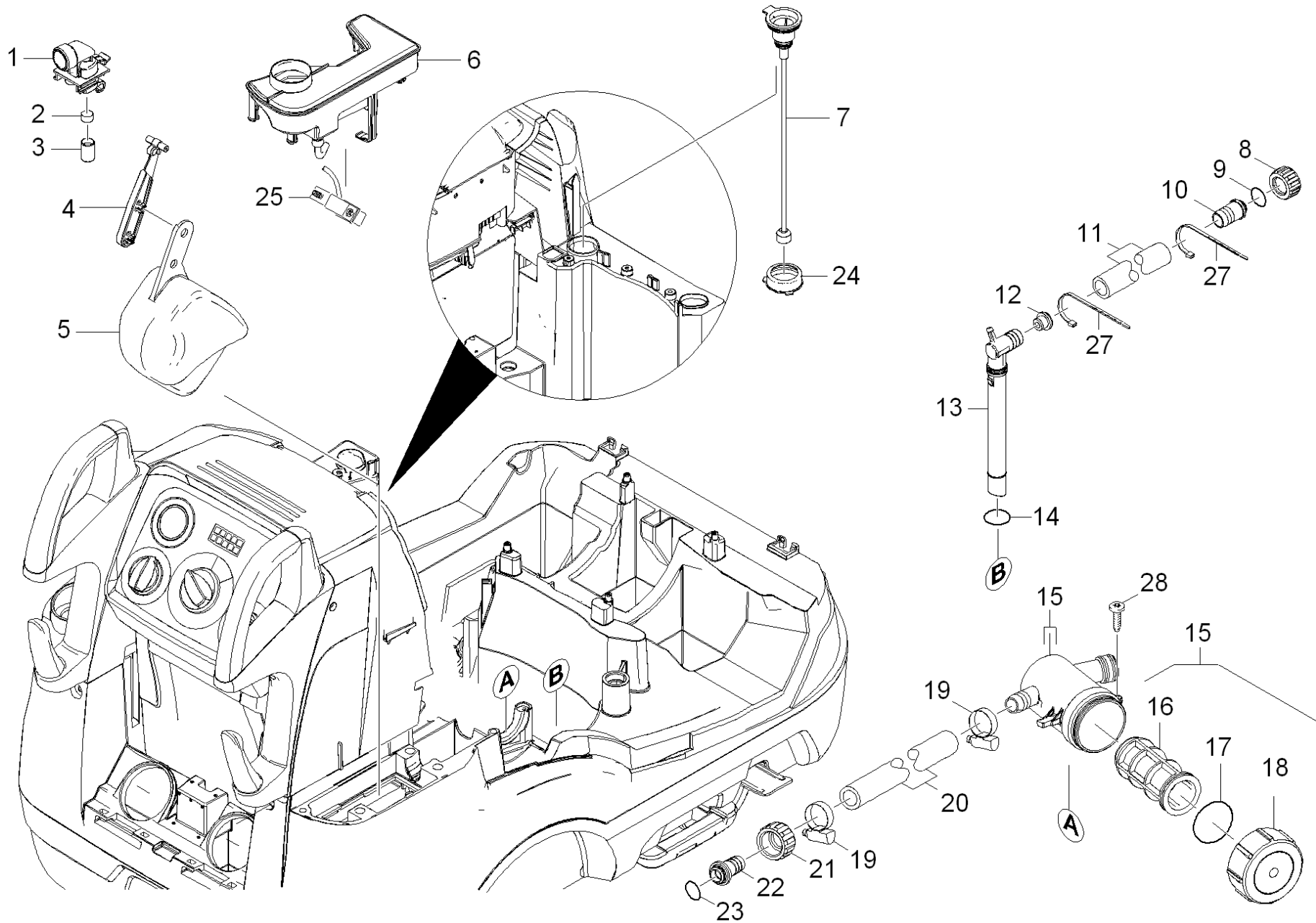
---

<b>POS</b>	<b>Article no.</b>	<b>Description</b>	<b>Quantity</b>	<b>Unit</b>
4	6.366-009.0	Seal string	1.000	ST
6	6.869-024.0	Quick-bonding agent	0.004	ZST

80 Float valve

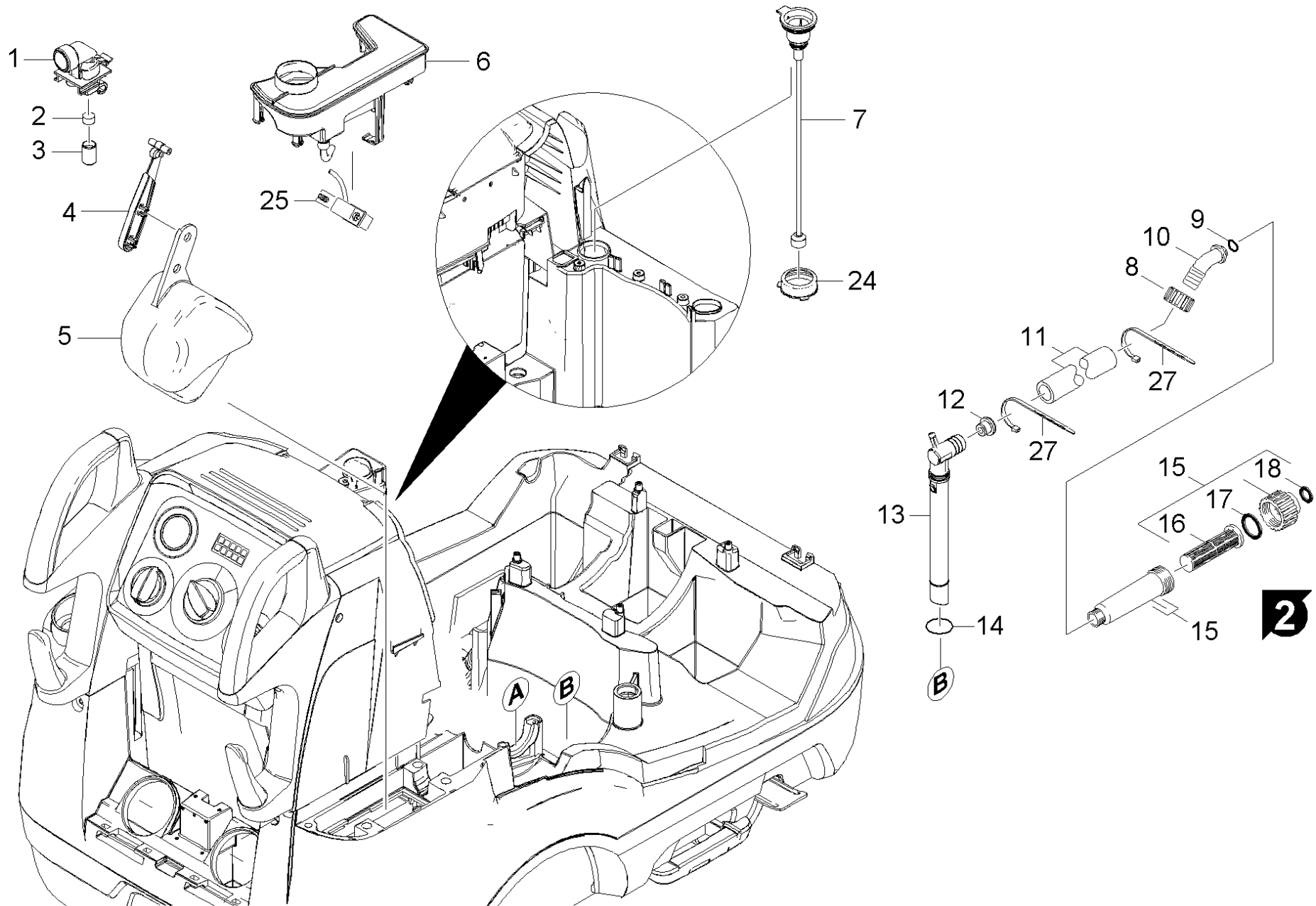
---

<b>POS</b>	<b>Description</b>	<b>Quantity</b>	<b>Unit</b>	<b>Remark</b>
81	Float valve	1.000	ST	VERSION 1
82	Float valve	1.000	ST	VERSION 2



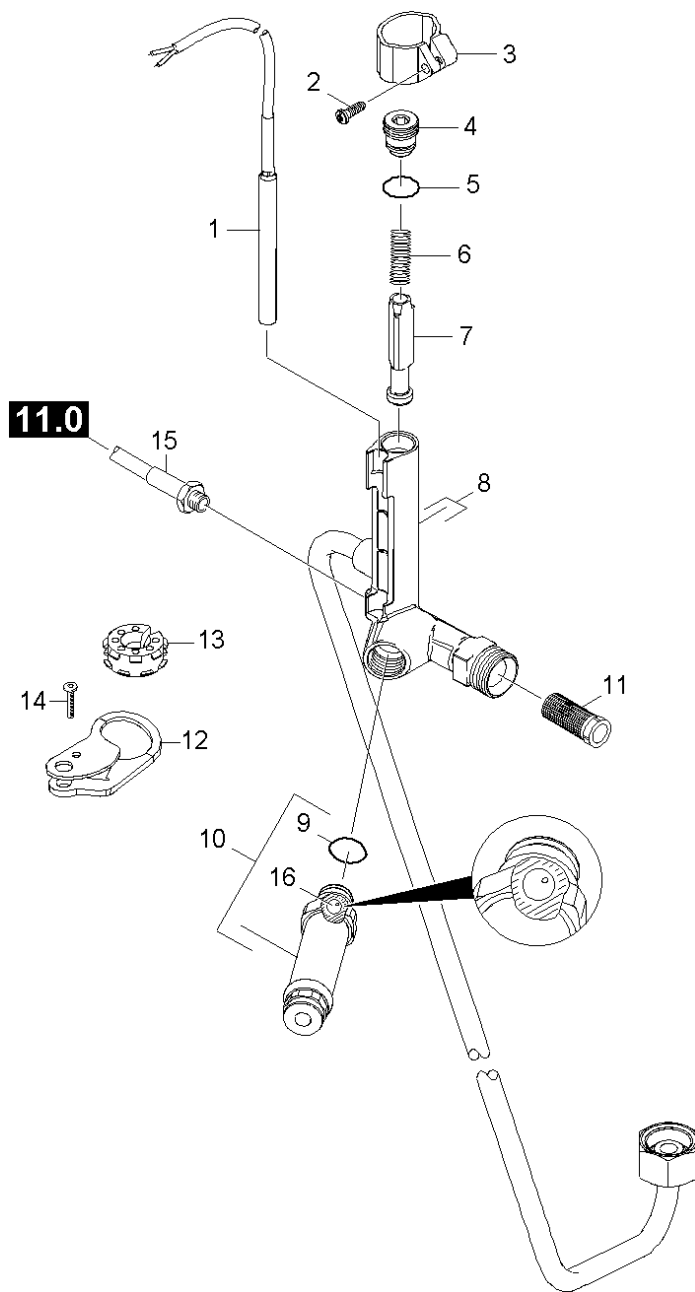
## 81 Float valve

POS	Article no.	Description	Quantity	Unit	Foot note text
1	5.587-214.0	Valve housing	1.000	ST	
2	5.364-095.0	Flat gasket	1.000	ST	
3	5.584-085.0	Valve pin	1.000	ST	
4	5.481-256.0	Lever	1.000	ST	
5	5.585-030.0	Float	1.000	ST	
6	4.070-658.3	Tank complete	1.000	ST	
7	4.747-097.0	Level probe -nur für Ersatz-	1.000	ST	
8	5.310-062.0	Nut	1.000	ST	
9	6.362-078.0	O-Ring seal 13,3x2,4	1.000	ST	
10	5.443-312.0	Hose stem	1.000	ST	
11	6.391-612.0	Piece of tube only for replacement	1.000	ST	TO ORDER AS CUT GOODS
12	5.112-193.0	Bush	1.000	ST	
13	5.443-553.0	Connection piece	1.000	ST	
14	6.362-161.0	O-Ring seal 19,3 X 2,4	1.000	ST	
15	4.730-124.0	Filter complete	1.000	ST	
16	6.414-681.0	Filter cartridge	1.000	ST	
17	5.363-613.0	Seal	1.000	ST	
18	5.064-107.0	Cover	1.000	ST	
19	7.373-022.0	Hose clip A-16-27x9 -W2-2 DIN3017	2.000	ST	
20	6.388-719.0	Hose DN17	1.000	M	TO ORDER AS CUT GOODS
21	5.310-061.0	Nut R 3/4"	1.000	ST	
22	5.443-224.0	Hose stem	1.000	ZST	
23	6.362-078.0	O-Ring seal 13,3x2,4	1.000	ST	
24	5.365-289.0	Rubber bushing transmitter feeder	1.000	ST	
25	4.686-030.0	Solenoid valve only for replacement	1.000	ST	
27	6.641-474.0	Cable tape 8-210	2.000	ST	
28	7.303-108.0	Screw 5x20 -10.9-R2R (In6Rd)	1.000	ST	



## 82 Float valve

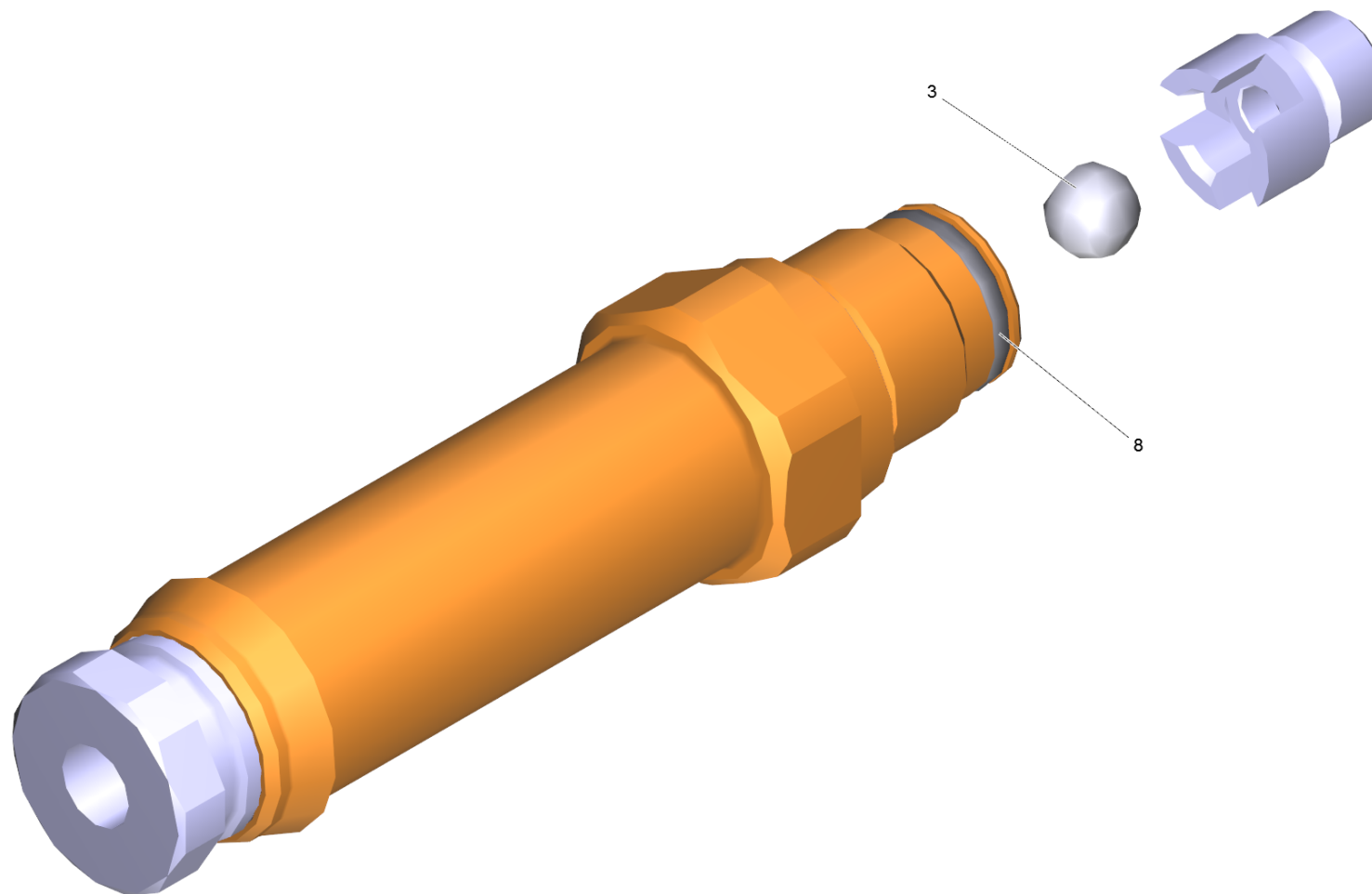
POS	Article no.	Description	Quantity	Unit	Foot note text
1	5.587-214.0	Valve housing	1.000	ST	
2	5.364-095.0	Flat gasket	1.000	ST	
3	5.584-085.0	Valve pin	1.000	ST	
4	5.481-256.0	Lever	1.000	ST	
5	5.585-030.0	Float	1.000	ST	
6	4.070-658.3	Tank complete	1.000	ST	
7	4.747-097.0	Level probe -nur für Ersatz-	1.000	ST	
8	5.310-062.0	Nut	1.000	ST	
9	6.362-078.0	O-Ring seal 13,3x2,4	1.000	ST	
10	5.443-365.0	HOSE STEM (HDS555C)	1.000	ST	
11	6.392-258.0	Piece of tube 19x4x280	1.000	ST	TO ORDER AS CUT GOODS
12	5.112-193.0	Bush	1.000	ST	
13	5.443-553.0	Connection piece	1.000	ST	
14	6.362-161.0	O-Ring seal 19,3 X 2,4	1.000	ST	
15	4.730-127.0	Water filter	1.000	ST	
16	5.731-587.0	Water filter	1.000	ST	
17	5.363-336.0	Seal	1.000	ST	
18	5.363-545.0	Seal	1.000	ST	
24	5.365-289.0	Rubber bushing transmitter feeder	1.000	ST	
25	4.686-030.0	Solenoid valve only for replacement	1.000	ST	
27	6.641-474.0	Cable tape 8-210	2.000	ST	





## 90 Safety system

POS	Article no.	Description	Quantity	Unit
1	2.885-051.0	Reed switch replacement	1.000	ST
2	6.303-122.0	M4 .2X13 DIN 7981 TORX T15 PAN HD HI/LO	1.000	ST
3	5.041-076.0	Clamp	1.000	ST
4	5.305-162.0	Shaped screw	1.000	ST
5	6.362-482.0	O-Ring seal 10 x 1,5-NBR 70	1.000	ST
6	5.332-057.0	Helical spring	1.000	ST
7	4.551-058.0	Cartridge protection against water short	1.000	ST
8	4.427-341.0	Manifold	1.000	ST
9	6.362-845.0	O-Ring seal 10,82x 1,78	1.000	ST
10	4.580-709.0	Safety valve complete replacement	1.000	ST
11	6.414-566.0	Strainer WMS	1.000	ST
12	5.378-150.0	Holder pipe	1.000	ST
13	5.767-023.0	Rubber buffer	1.000	ST
14	7.303-108.0	Screw 5x20 -10.9-R2R (In6Rd)	1.000	ST
15	6.389-811.0	High pressure hose	1.000	ST
16	6.401-429.0	Sphere polyamide 8mm	1.000	ST



## 10 Safety valve complete replacement (4.580-709.0)

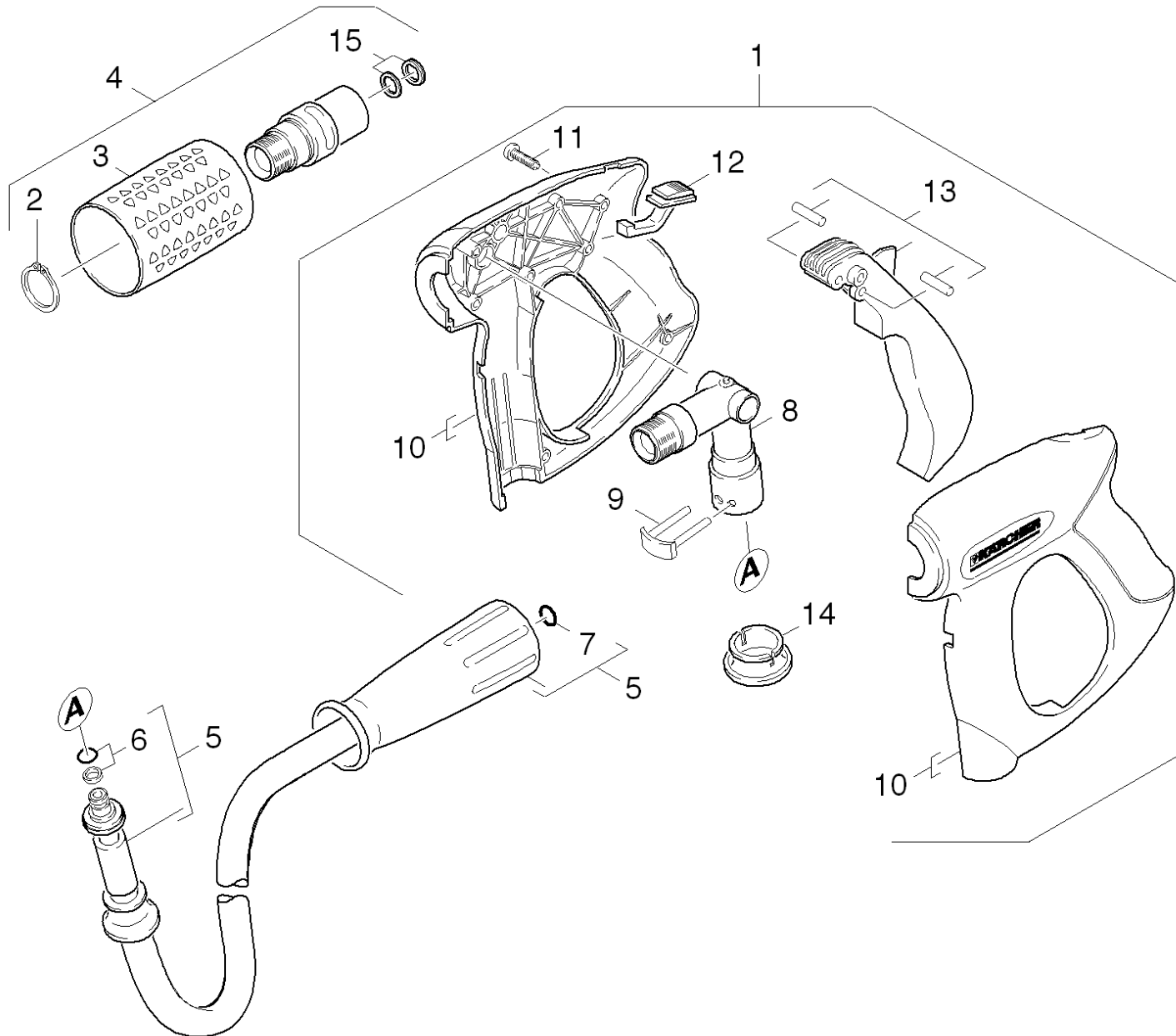
---

<b>POS</b>	<b>Article no.</b>	<b>Description</b>	<b>Quantity</b>	<b>Unit</b>
3	6.401-429.0	Sphere polyamide 8mm	1.000	ST
8	6.362-845.0	O-Ring seal 10,82x 1,78	1.000	ST

## 100 Accessories

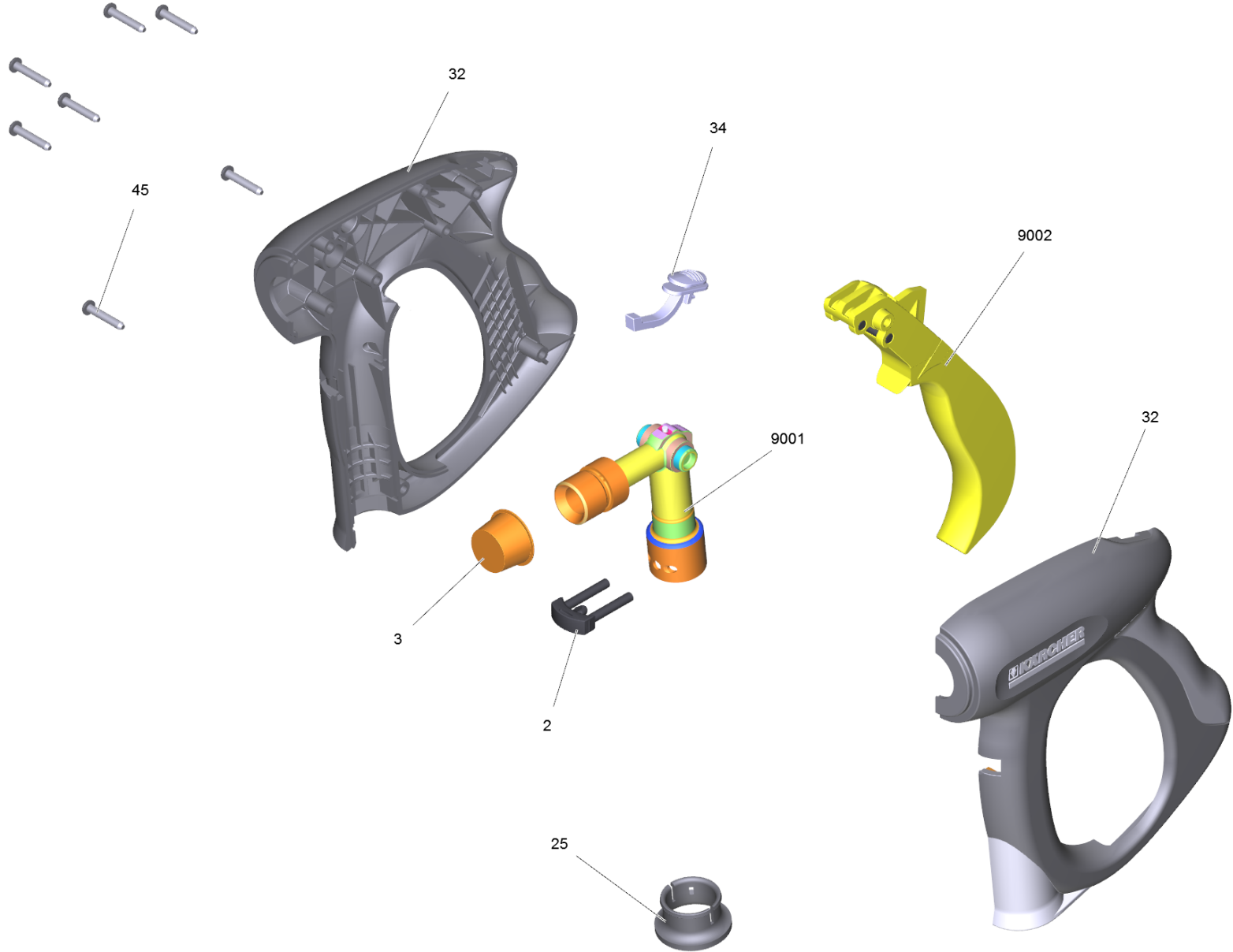
---

<b>POS</b>	<b>Description</b>	<b>Quantity</b>	<b>Unit</b>
101	Hand trigger gun	1.000	ST
102	Hand trigger gun	1.000	ST
103	Jet pipe	1.000	ST



## 101 Hand trigger gun

POS	Article no.	Description	Quantity	Unit
1	4.775-463.0	HAND TRIGGER GUN EASY PRESS	1.000	ST
2	7.343-008.0	Locking ring 25x1,2-St-vz DIN 471	1.000	ST
3	5.321-668.0	Handle	1.000	ST
4	4.775-470.0	Rotary controller 416L	1.000	ST
5	6.391-351.0	Hose assembly only for replacement DN8 4	1.000	ST
6	4.363-691.0	O-Ring seal kpl. -nur fuer Ersatz-	1.000	ST
7	2.880-990.0	Spare part set O-Ring 5x -Kaercher	1.000	ST
8	4.427-215.0	Manifold complete only for replacement	1.000	ST
9	4.037-013.0	Hook	1.000	ST
10	5.321-669.3	Handhold few	1.000	ST
11	7.303-096.0	Screw 4x22 -ST-10.9-R2R (IN6RD)	7.000	ST
12	5.481-331.0	Slider	1.000	ST
13	4.481-209.0	Lever complete	1.000	ST
14	5.110-596.0	Sleeve	1.000	ST
15	4.363-695.0	Grooved ring only for replacement	1.000	ST

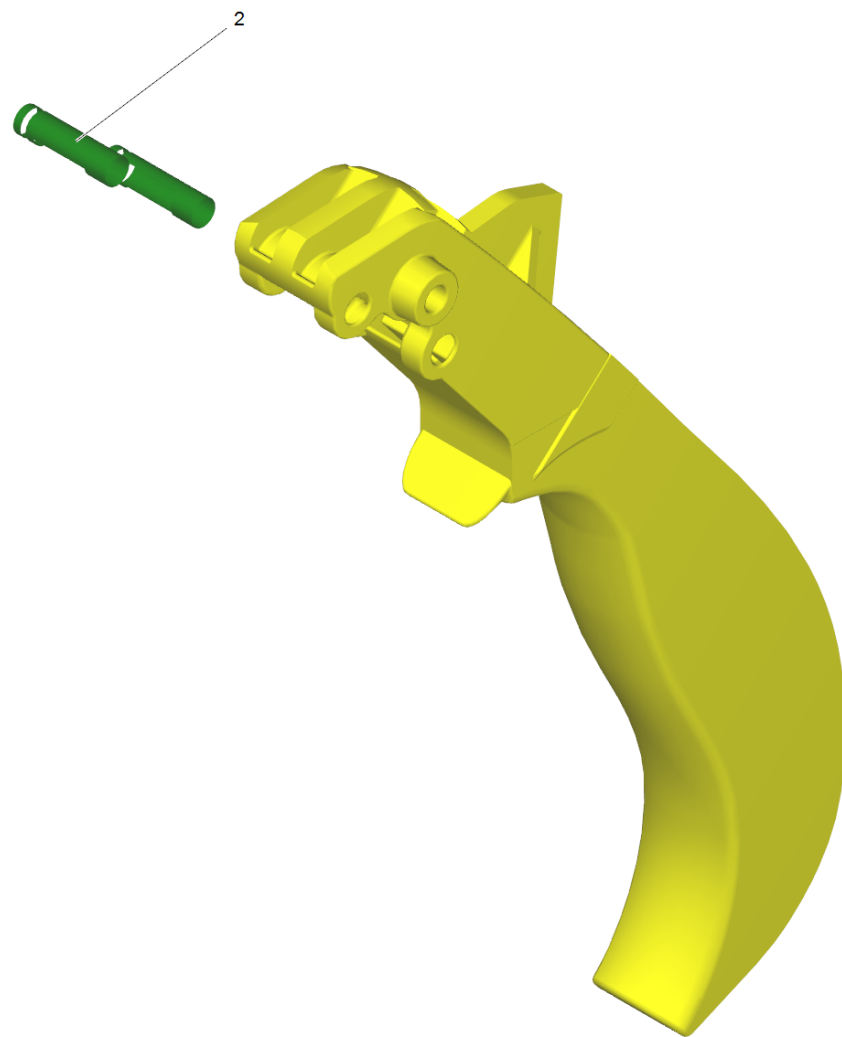


## 1 HAND TRIGGER GUN EASY PRESS (4.775-463.0)

---

POS	Article no.	Description	Quantity	Unit
2	4.037-013.0	Hook	1.000	ST
3	6.368-012.0	Protecting cap 22X1,5	1.000	ST
4	6.869-075.0	Metal bonding agent 1,5 ml	1.000	ST
25	5.110-596.0	Sleeve	1.000	ST
32	5.321-669.3	Handhold few	1.000	ST
34	5.481-331.0	Slider	1.000	ST
45	7.303-096.0	Screw 4x22 -ST-10.9-R2R (IN6RD)	7.000	ST
1041	6.288-044.0	Silicon grease 100 G	1.000	ST
9001	4.427-215.0	Manifold complete only for replacement	1.000	ST
9002	4.481-209.0	Lever complete	1.000	ST



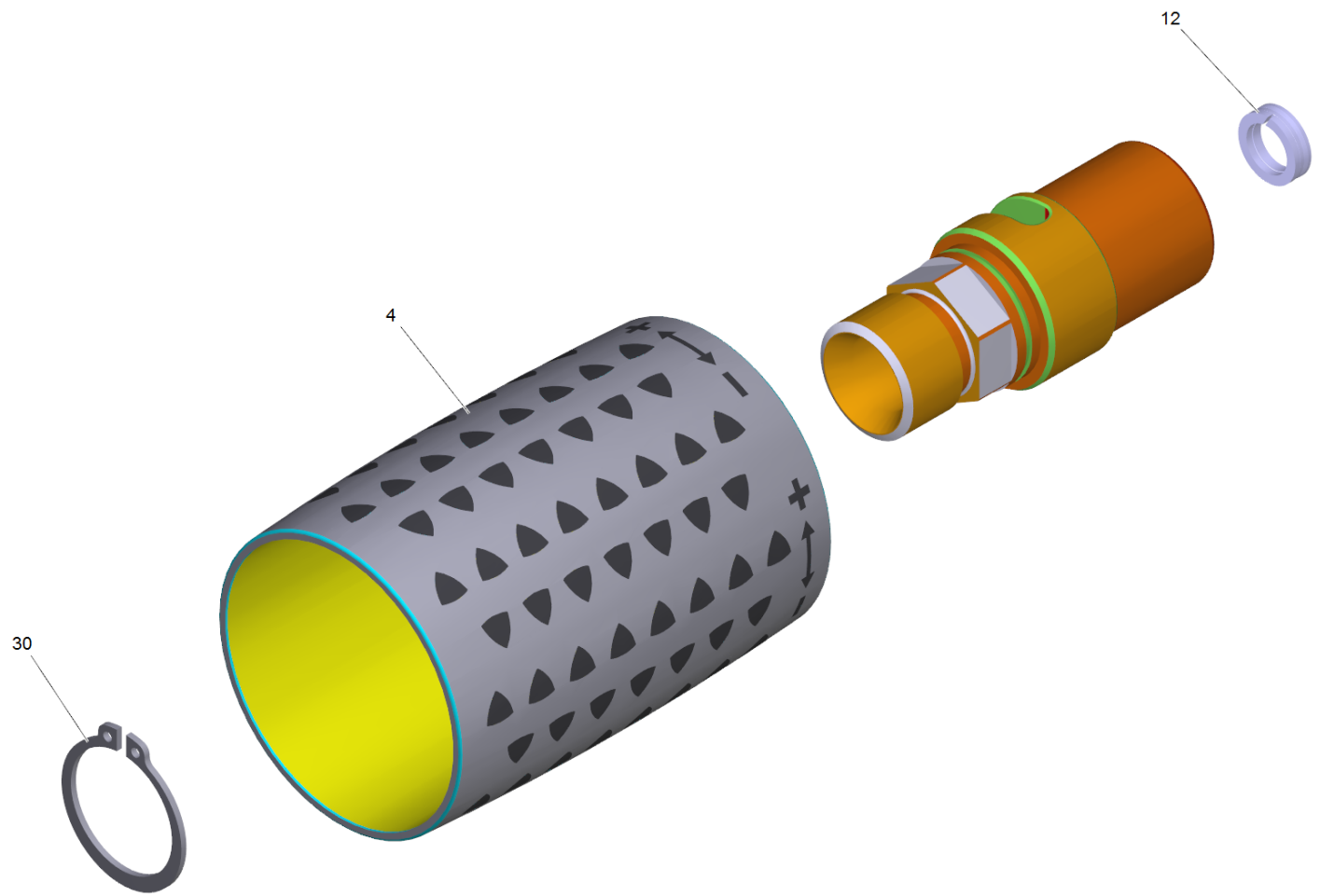


9002 Lever complete (4.481-209.0)

---

<b>POS</b>	<b>Article no.</b>	<b>Description</b>	<b>Quantity</b>	<b>Unit</b>
2	5.314-119.0	Pin	2.000	ST

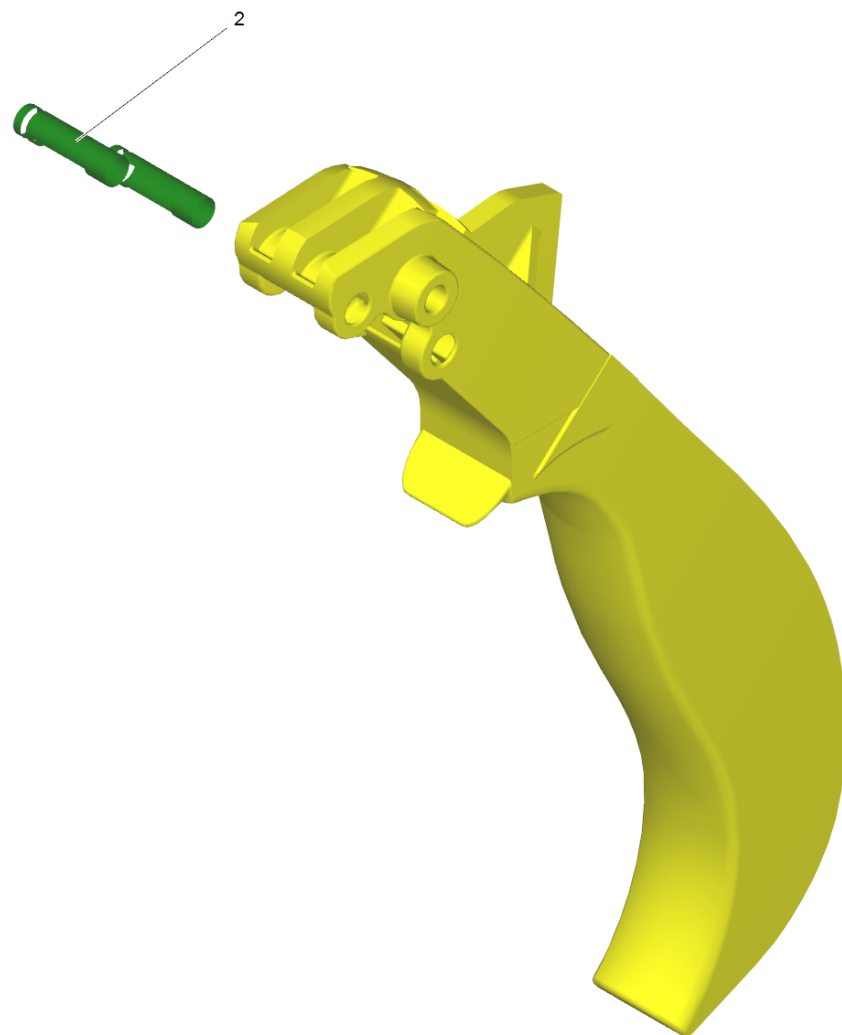
---



#### 4 Rotary controller 416L (4.775-470.0)

---

<b>POS</b>	<b>Article no.</b>	<b>Description</b>	<b>Quantity</b>	<b>Unit</b>
4	5.321-668.0	Handle	1.000	ST
12	4.363-695.0	Grooved ring only for replacement	1.000	ST
30	7.343-069.0	Locking ring 25x1,2-1.4122 DIN 471	1.000	ST

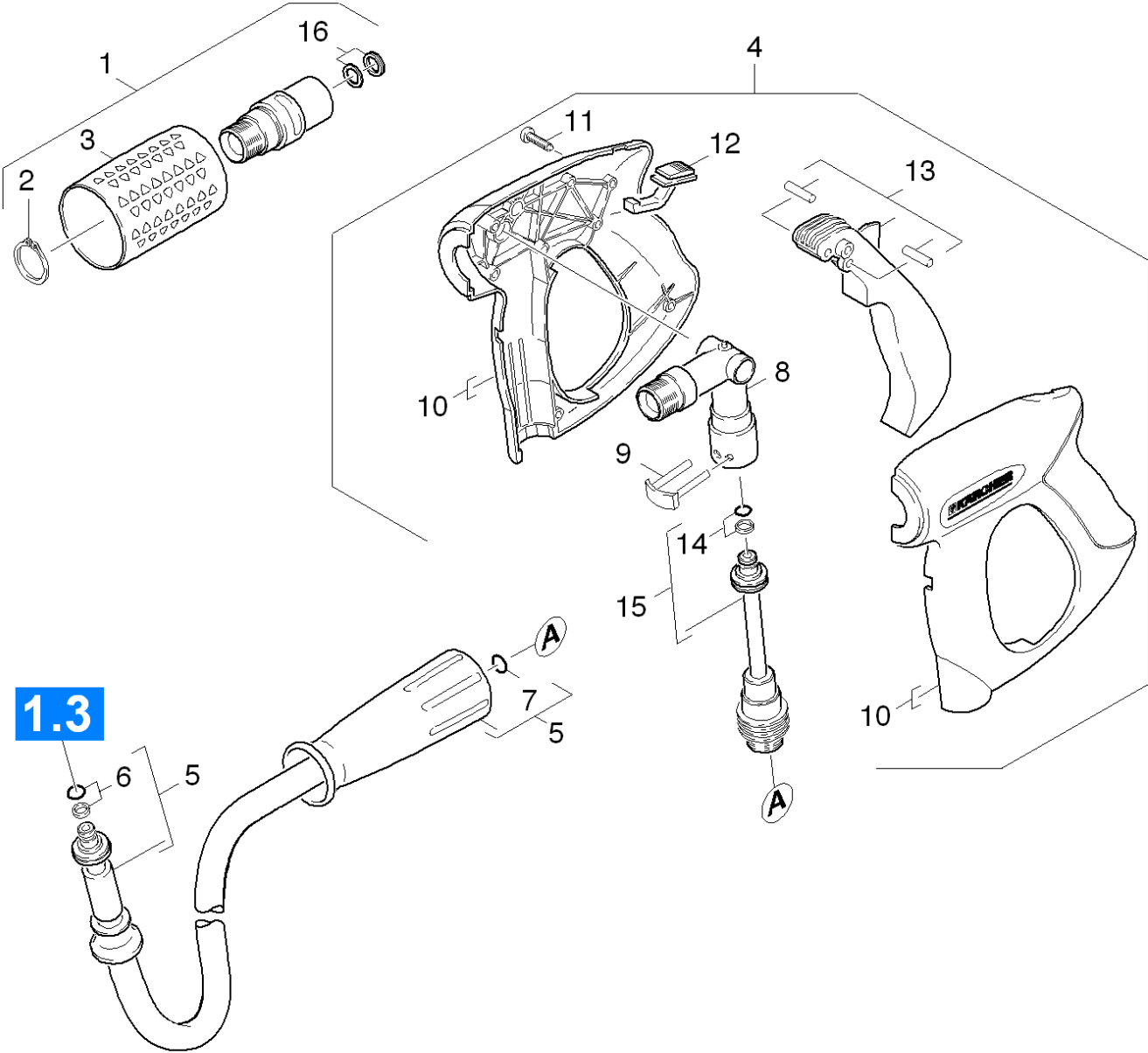


13 Lever complete (4.481-209.0)

---

<b>POS</b>	<b>Article no.</b>	<b>Description</b>	<b>Quantity</b>	<b>Unit</b>
2	5.314-119.0	Pin	2.000	ST

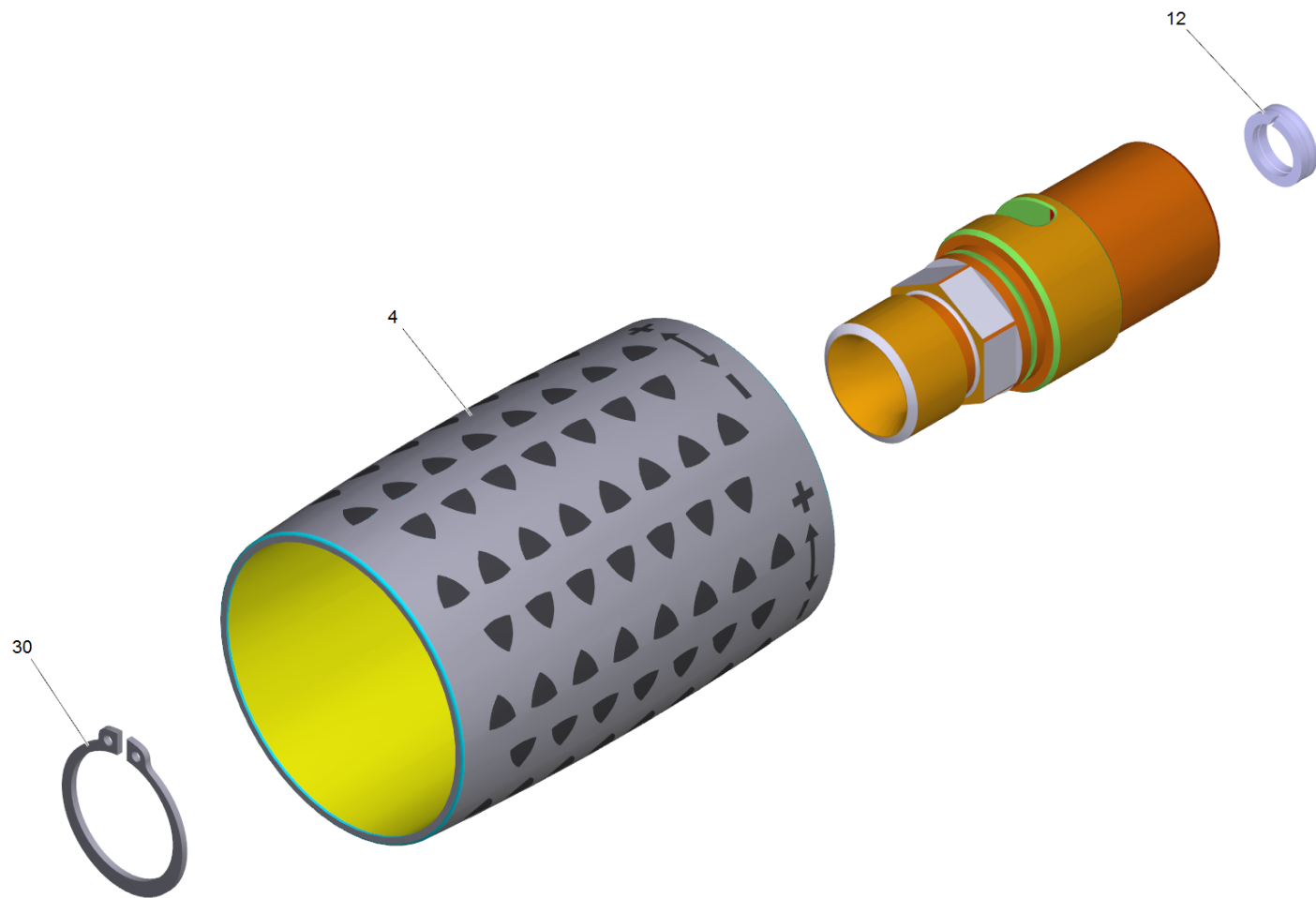
---



## 102 Hand trigger gun

POS	Article no.	Description	Quantity	Unit
1	4.775-470.0	Rotary controller 416L	1.000	ST
2	7.343-008.0	Locking ring 25x1,2-St-vz DIN 471	1.000	ST
3	5.321-668.0	Handle	1.000	ST
4	4.775-466.0	Hand trigger gun	1.000	ST
5	6.390-208.0	Hose assembly DN8 40MPa 20m	1.000	ST
6	4.363-691.0	O-Ring seal kpl. -nur fuer Ersatz-	1.000	ST
7	2.880-990.0	Spare part set O-Ring 5x -Kaercher	1.000	ST
8	4.427-215.0	Manifold complete only for replacement	1.000	ST
9	4.037-013.0	Hook	1.000	ST
10	5.321-669.3	Handhold few	1.000	ST
11	7.303-096.0	Screw 4x22 -ST-10.9-R2R (IN6RD)	7.000	ST
12	5.481-331.0	Slider	1.000	ST
13	4.481-209.0	Lever complete	1.000	ST
14	4.363-691.0	O-Ring seal kpl. -nur fuer Ersatz-	1.000	ST
15	4.421-739.3	Adapter pipelines AVS-M22x1,5	1.000	ST
16	4.363-695.0	Grooved ring only for replacement	1.000	ST

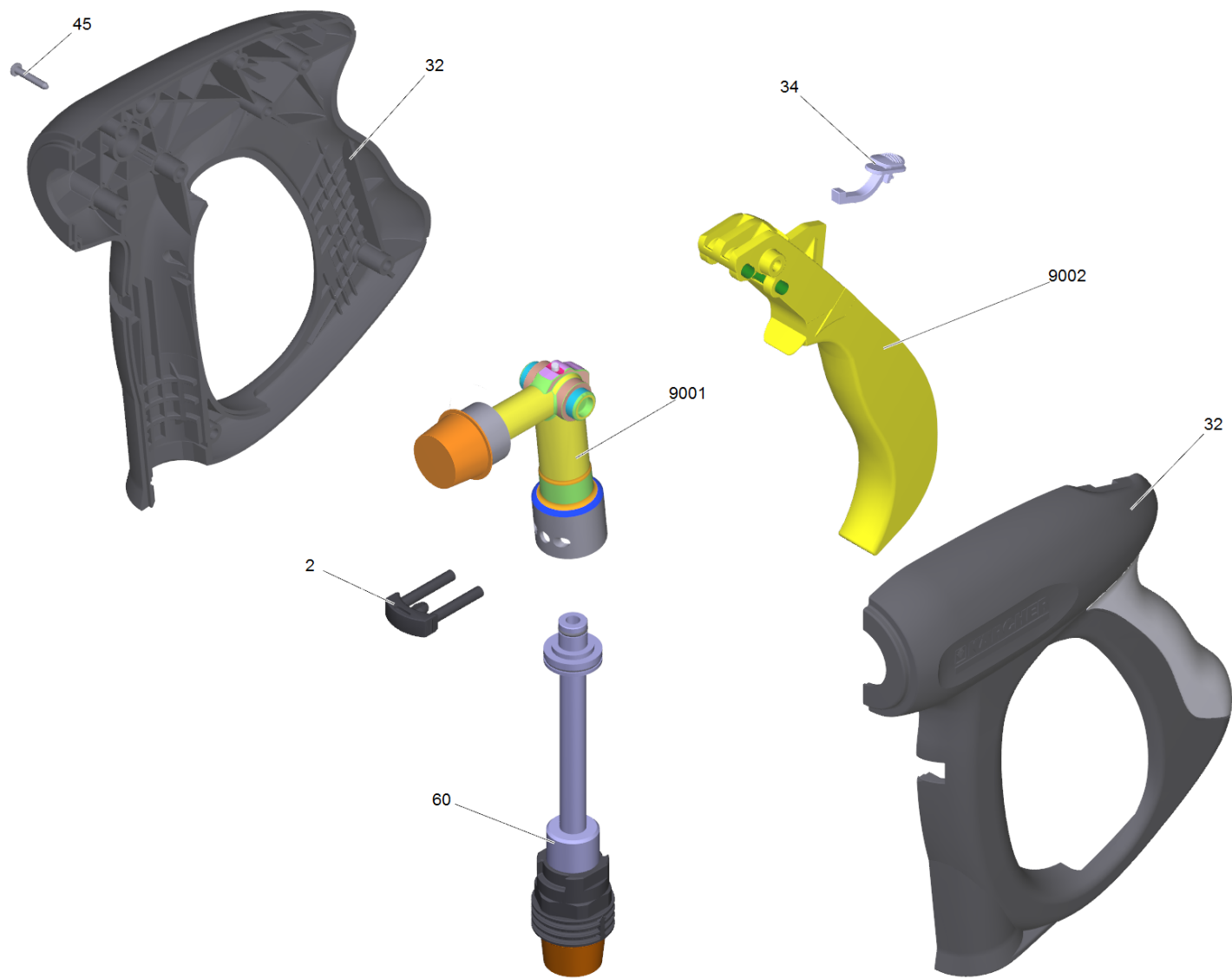




1 Rotary controller 416L (4.775-470.0)

---

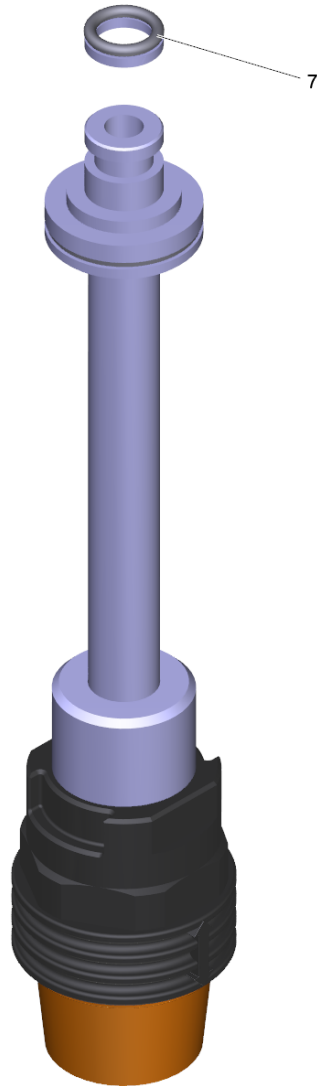
<b>POS</b>	<b>Article no.</b>	<b>Description</b>	<b>Quantity</b>	<b>Unit</b>
4	5.321-668.0	Handle	1.000	ST
12	4.363-695.0	Grooved ring only for replacement	1.000	ST
30	7.343-069.0	Locking ring 25x1,2-1.4122 DIN 471	1.000	ST



#### 4 Hand trigger gun (4.775-466.0)

---

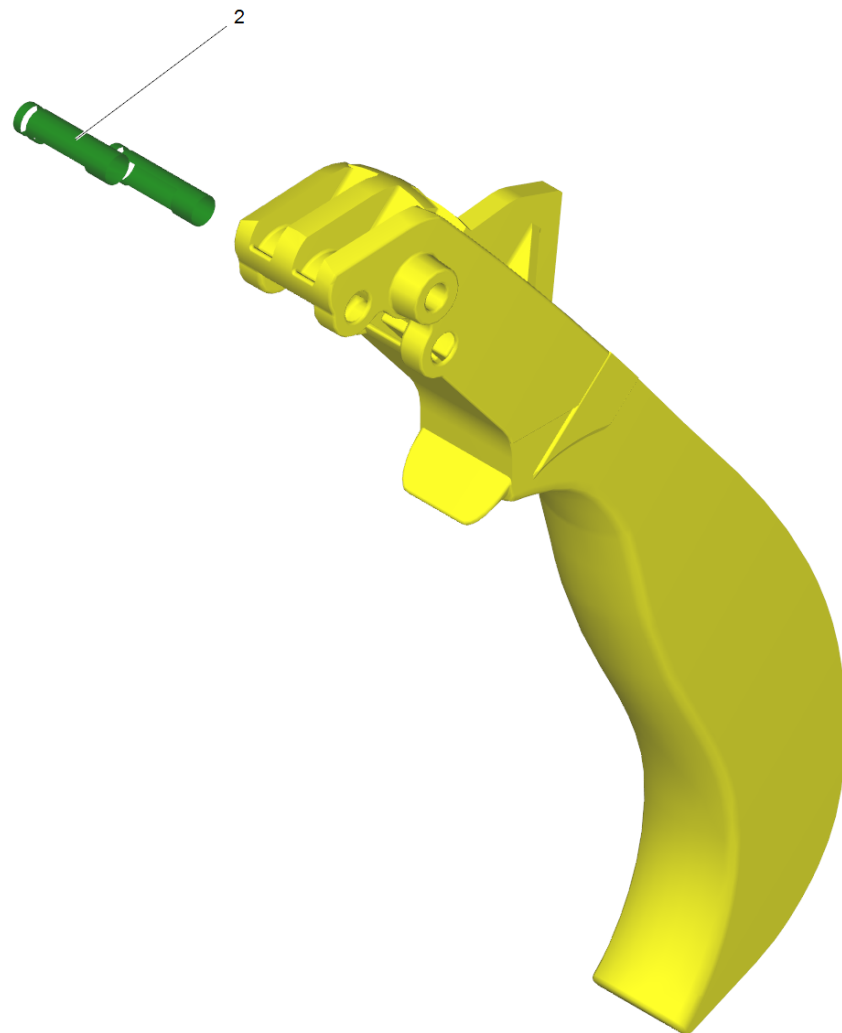
<b>POS</b>	<b>Article no.</b>	<b>Description</b>	<b>Quantity</b>	<b>Unit</b>
2	4.037-013.0	Hook	1.000	ST
32	5.321-669.3	Handhold few	1.000	ST
34	5.481-331.0	Slider	1.000	ST
45	7.303-096.0	Screw 4x22 -ST-10.9-R2R (IN6RD)	7.000	ST
60	4.421-739.3	Adapter pipelines AVS-M22x1,5	1.000	ST
9001	4.427-215.0	Manifold complete only for replacement	1.000	ST
9002	4.481-209.0	Lever complete	1.000	ST



60 Adapter pipelines AVS-M22x1,5 (4.421-739.3)

---

POS	Article no.	Description	Quantity	Unit
7	4.363-691.0	O-Ring seal kpl. -nur fuer Ersatz-	1.000	ST



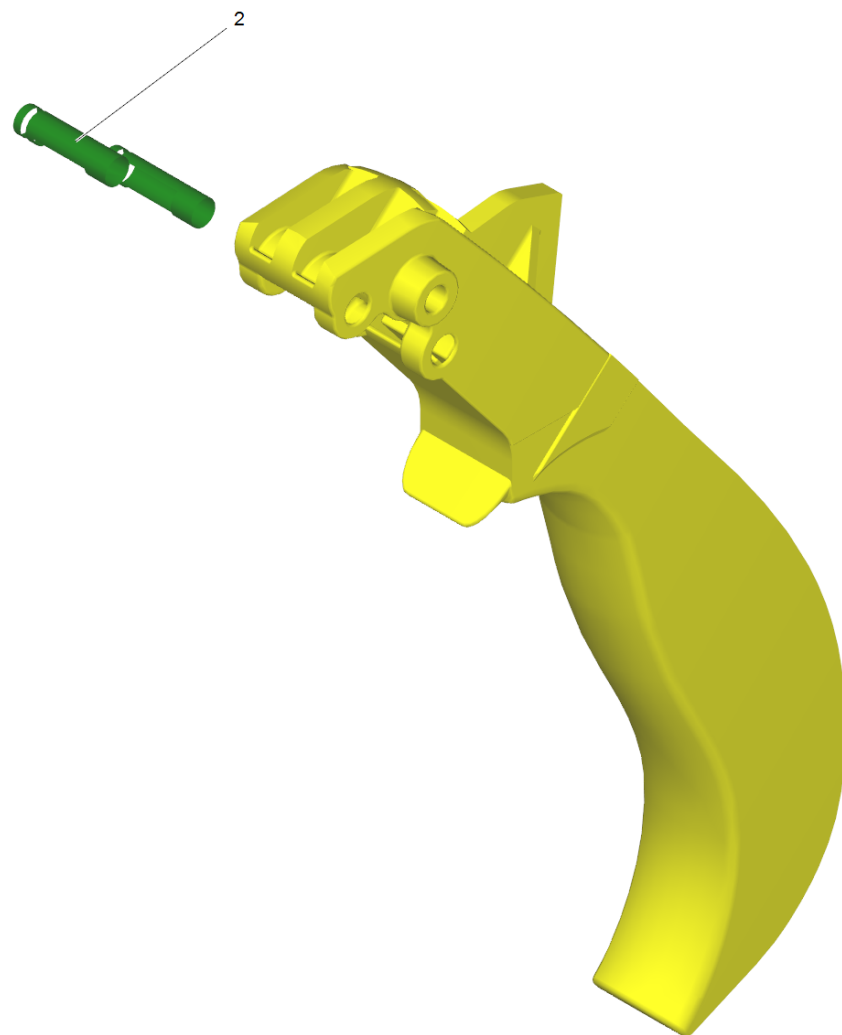
9002 Lever complete (4.481-209.0)

---

<b>POS</b>	<b>Article no.</b>	<b>Description</b>	<b>Quantity</b>	<b>Unit</b>
2	5.314-119.0	Pin	2.000	ST

---



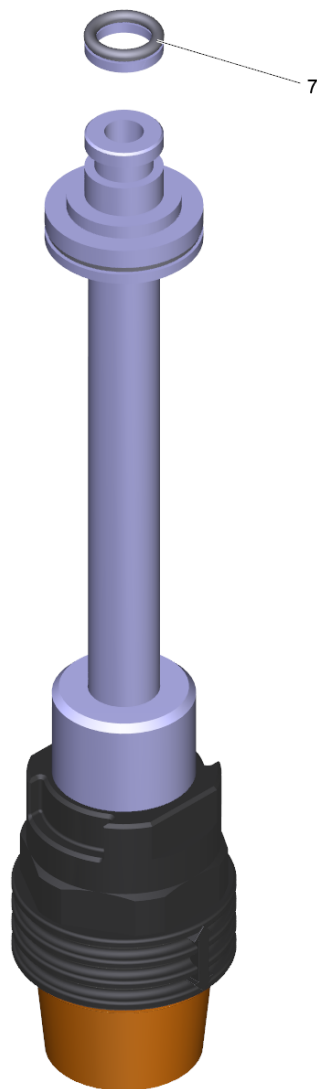


13 Lever complete (4.481-209.0)

---

<b>POS</b>	<b>Article no.</b>	<b>Description</b>	<b>Quantity</b>	<b>Unit</b>
2	5.314-119.0	Pin	2.000	ST

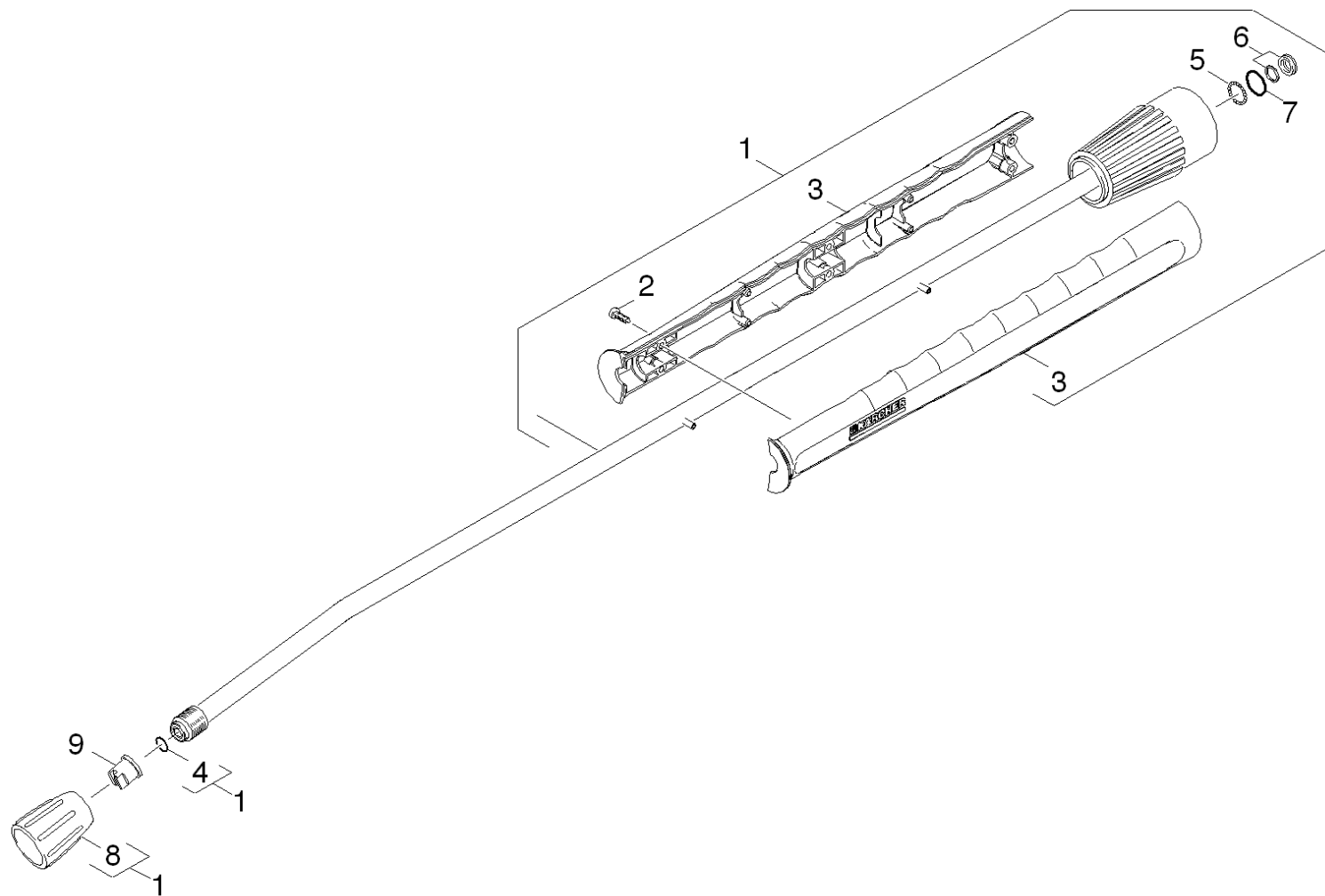
---



15 Adapter pipelines AVS-M22x1,5 (4.421-739.3)

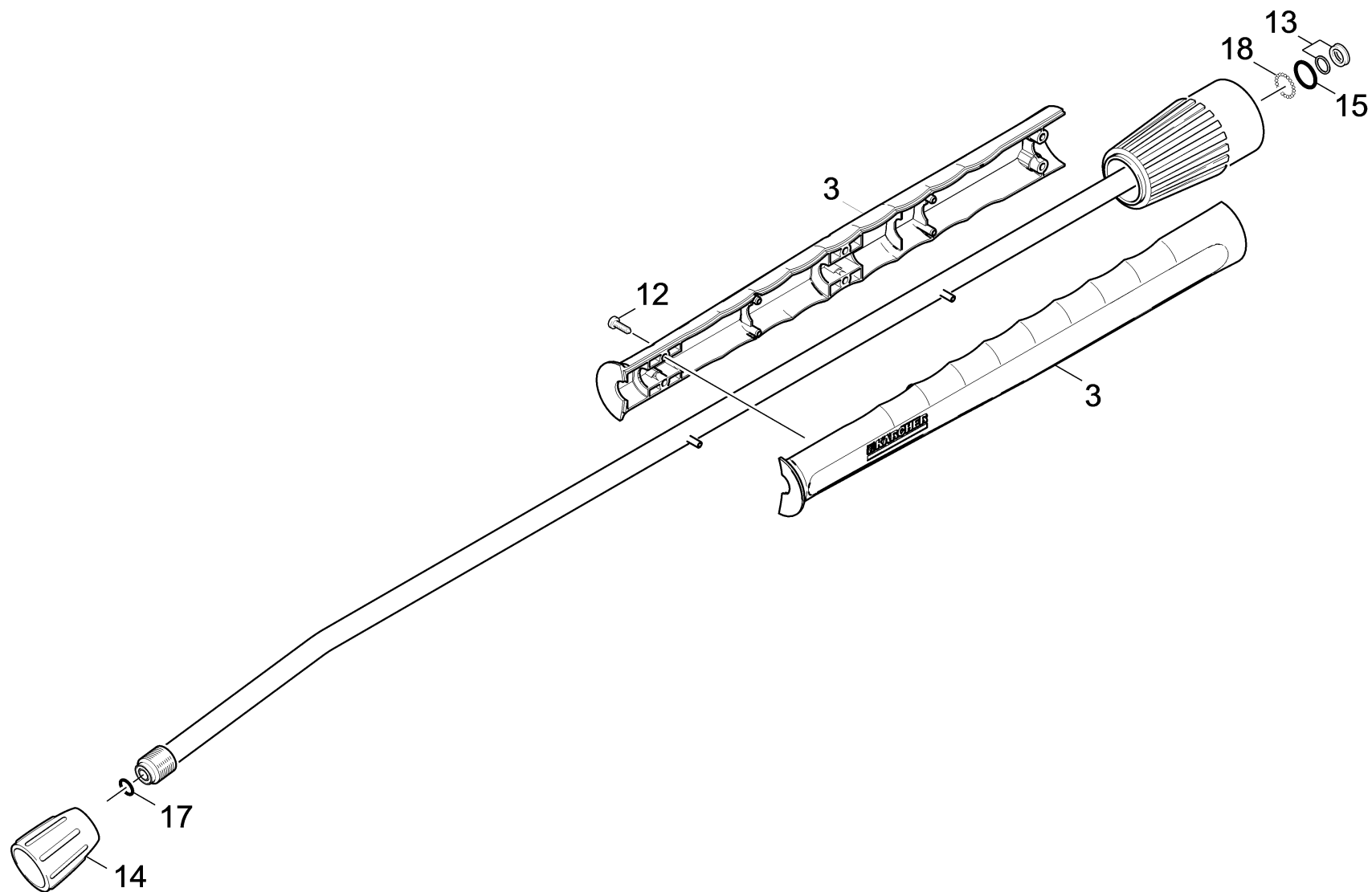
---

<b>POS</b>	<b>Article no.</b>	<b>Description</b>	<b>Quantity</b>	<b>Unit</b>
7	4.363-691.0	O-Ring seal kpl. -nur fuer Ersatz-	1.000	ST



## 103 Jet pipe

POS	Article no.	Description	Quantity	Unit
1	4.760-660.0	Jet pipe packaged only for replacement	1.000	ST
2	7.303-129.0	Screw 4x16 -10.9-R2R (K-In6Rd)	6.000	ST
3	5.321-855.0	Handhold few jet pipe with welding bolt	1.000	ST
4	2.880-990.0	Spare part set O-Ring 5x -Kaercher	1.000	ST
5	7.401-915.0	Sphere 2,5 G20 -1.4034 DIN 5401	20.000	ST
6	4.363-692.0	Grooved ring kpl. -nur fuer Ersatz-	1.000	ST
7	6.362-524.0	O-Ring seal 17,0 X 1,5	1.000	ST
8	5.401-210.0	Screw connector part	1.000	ST
9	2.885-040.0	Steam nozzle 40060	1.000	ST
9	2.883-399.0	Power nozzle 25050	1.000	ST

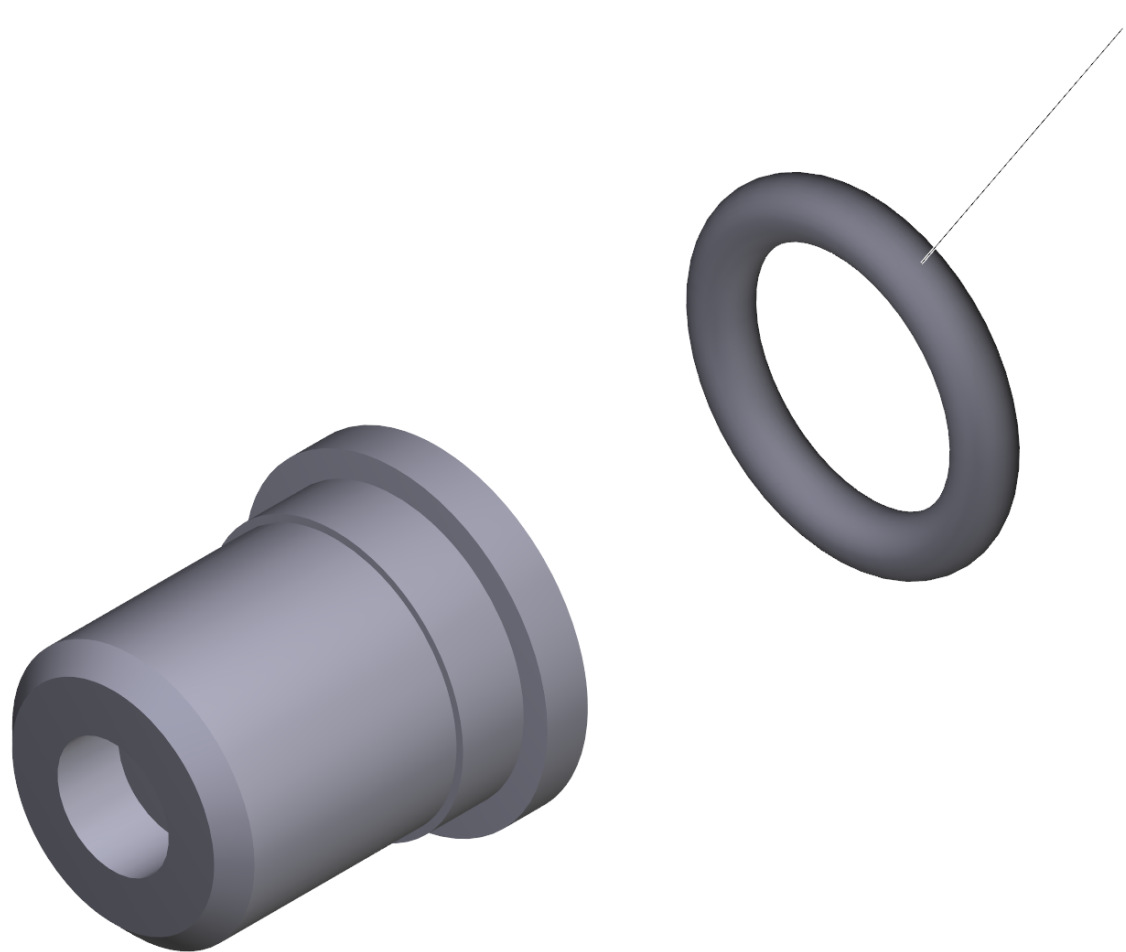


1 Jet pipe packaged only for replacement (4.760-660.0)

---

<b>POS</b>	<b>Article no.</b>	<b>Description</b>	<b>Quantity</b>	<b>Unit</b>
3	5.321-855.0	Handhold few jet pipe with welding bolt	1.000	ST
12	7.303-129.0	Screw 4x16 -10.9-R2R (K-In6Rd)	6.000	ST
13	4.363-692.0	Grooved ring kpl. -nur fuer Ersatz-	1.000	ST
14	5.401-210.0	Screw connector part	1.000	ST
15	6.362-524.0	O-Ring seal 17,0 X 1,5	1.000	ST
17	2.880-990.0	Spare part set O-Ring 5x -Kaercher	1.000	ST
18	7.401-915.0	Sphere 2,5 G20 -1.4034 DIN 5401	1.000	ST

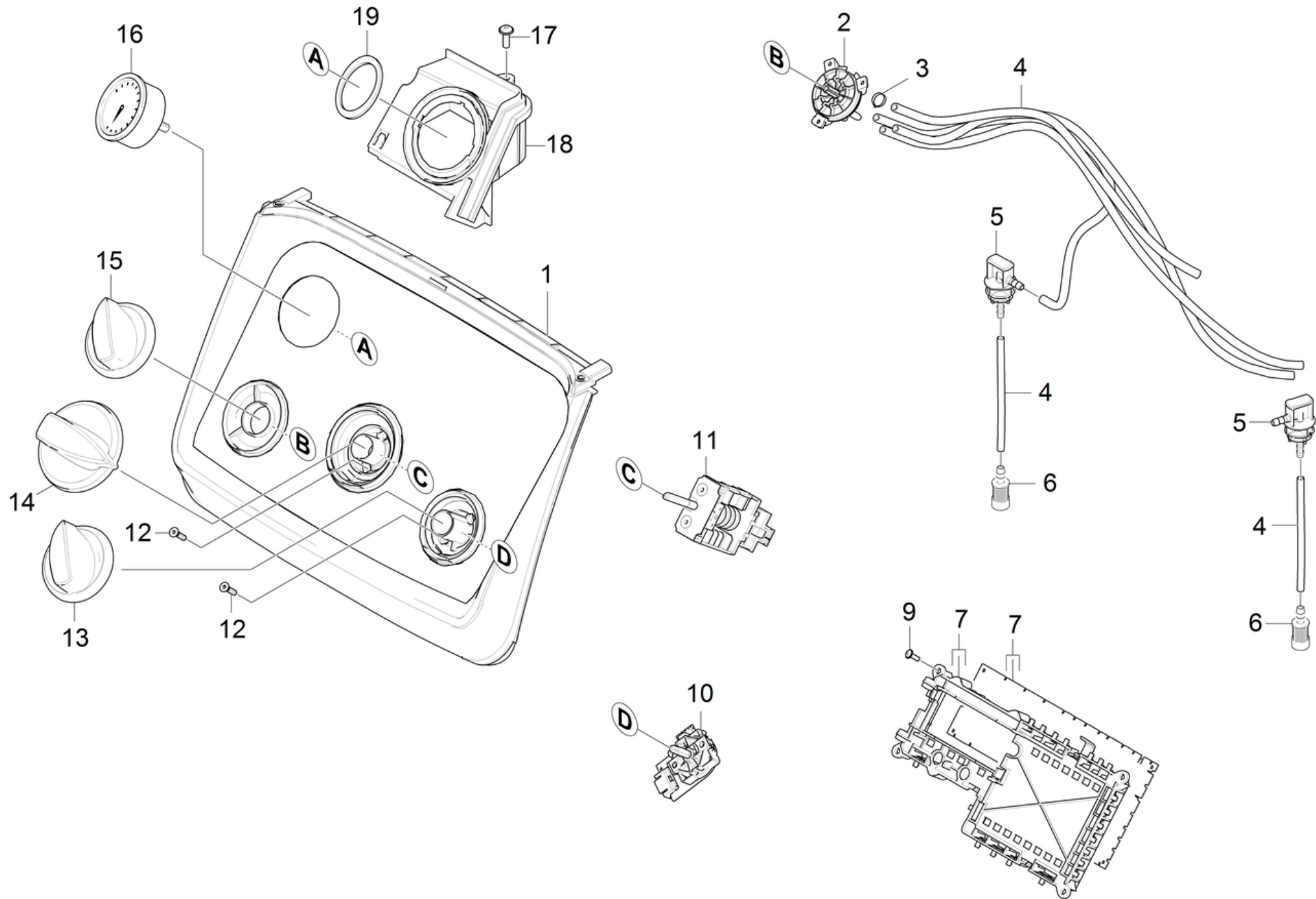




9 Power nozzle 25050 (2.883-399.0)

---

POS	Article no.	Description	Quantity	Unit
1	7.362-501.0	O-Ring seal 10x2 EPDM 70 DIN 3770	1.000	ST



## 110 Control panel

POS	Article no.	Description	Quantity	Unit	Foot note text
1	4.841-204.0	Control panel only for replacement	1.000	ST	
2	4.063-842.0	Proportioning valve chemistry	1.000	ST	
3	6.388-559.0	Hose clip	4.000	ST	
4	6.391-341.0	Hose chemistry DN 6	1.000	M	TO ORDER AS CUT GOODS
5	5.132-134.0	Plug	2.000	ST	
6	5.731-638.0	Filter with weight	2.000	ST	
7	2.885-052.0	Frame circuit board complete	1.000	ST	
9	7.303-106.0	Screw 4x12 -10.9-R2R (IN6RD)	2.000	ST	
10	4.630-005.0	Switch temperature only for replacement	1.000	ST	
11	6.630-421.3	Switch program selection	1.000	ST	
12	7.305-019.0	Countersunk screw M4x16 -8.8-R2R (In6Rd	4.000	ST	
13	5.321-847.0	Handle	1.000	ST	
14	5.321-848.0	Handle	1.000	ST	
15	5.321-844.0	Handle	1.000	ST	
16	4.423-020.0	Pressure gauge only for replacement 0-25	1.000	ST	
17	7.303-106.0	Screw 4x12 -10.9-R2R (IN6RD)	1.000	ST	
18	5.044-850.0	Holder pressure gauge	1.000	ST	
19	5.363-721.0	Joint ring	1.000	ST	