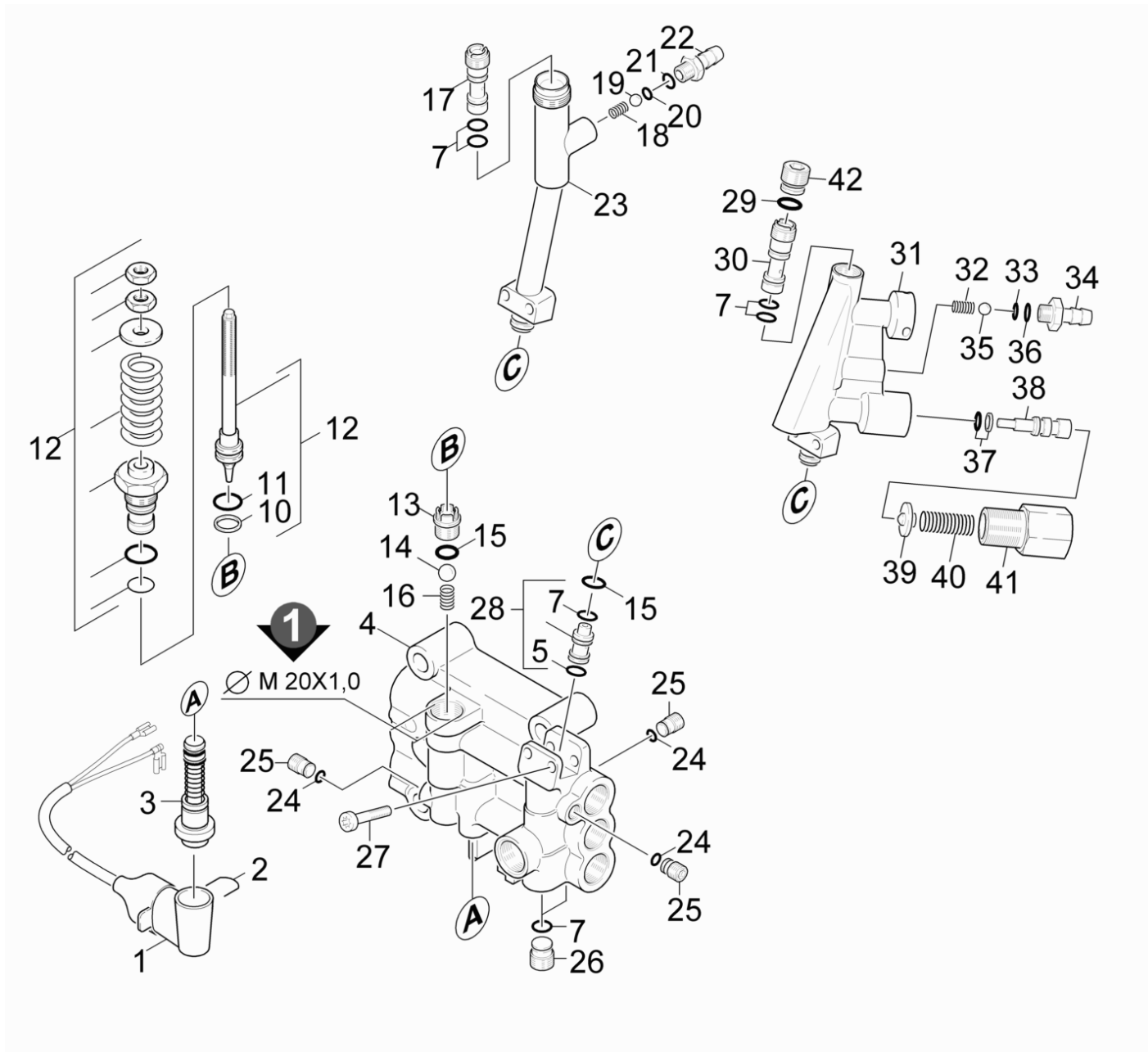


21 Cylinder head

Professional \ High pressure cleaner cold water \ Electric motor \ HD 10/21 -4S *EU \ Spare parts list HD 10/21 S \ Pump set \ Cylinder head



21 Cylinder head

Professional \ High pressure cleaner cold water \ Electric motor \ HD 10/21 -4S *EU \ Spare parts list HD 10/21 S \ Pump set \ Cylinder head

POS	Article no.	Description	Quantity	Unit	Foot note text
24		Part at pump set	3	PC	
19		Part at pump set	1	PC	
36		Part at pump set	1	PC	
		Item text1: 1.286-324.0 /-327.0 /-330.0 /-332.0 /			
35		Part at pump set	1	PC	
		Item text1: 1.286-324.0 /-327.0 /-330.0 /-332.0 /			
7		Part at pump set	5	PC	
10		Part at pump set	1	PC	VERSION 1
33		Part at pump set	1	PC	
		Item text1: 1.286-324.0 /-327.0 /-330.0 /-332.0 /			
21		Part at pump set	1	PC	
20		Part at pump set	1	PC	
14		Part at pump set	1	PC	
15		Part at pump set	2	PC	
100	2.883-902.0	PUMP SET HD 1095	1	PC	
3	2.883-988.3	Spare parts set control piston for replacement	1	PC	
12	2.885-129.0	Overflow valve -nur fuer Ersatz-	1	PC	VERSION 1
4	2.885-130.0	Cylinder head -nur fuer Ersatz-	1	PC	VERSION 1
31	4.591-045.3	Overflow valve for replacement	1	PC	
		Item text1: 1.286-324.0 /-327.0 /-330.0 /-332.0 /			
1	4.744-242.0	Switch kpl. -nur für Ersatz-	1	PC	
28	4.769-000.0	Nozzle insert complete	1	PC	
2	5.034-494.0	Retaining bracket	1	PC	
41	5.304-082.0	HEXAGON Schraube	1	PC	
		Item text1: 1.286-324.0 /-327.0 /-330.0 /-332.0 /			
18	5.332-258.0	Helical spring	1	PC	
32	5.332-258.0	Helical spring	1	PC	
		Item text1: 1.286-324.0 /-327.0 /-330.0 /-332.0 /			
40	5.332-512.0	Helical spring	1	PC	
		Item text1: 1.286-324.0 /-327.0 /-330.0 /-332.0 /			
16	5.332-999.0	Helical spring	1	PC	
26	5.411-152.0	Screw plug	2	PC	
25	5.411-161.0	CLOSING SCREW M10X1	3	PC	

21 Cylinder head

Professional \ High pressure cleaner cold water \ Electric motor \ HD 10/21 -4S *EU \ Spare parts list HD 10/21 S \ Pump set \ Cylinder head



POS	Article no.	Description	Quantity	Unit	Foot note text
42	5.411-168.0	Valve screw M16x1	1	PC	
	Item text1: 1.286-324.0 /-327.0 /-330.0 /-332.0 /				
23	5.427-295.0	Manifold high-pressure	1	PC	
	Item text1: / 1.286-320.0 /-323.0 /-326.0 /-328.0				
	Item text2: -329.0 /-331.0 /				
23	5.427-320.0	Manifold	1	PC	
	Item text1: / 1.286-114.0 /-321.0 /-322.0 /-325.0 /				
34	5.443-370.0	Nipple	1	PC	
	Item text1: 1.286-324.0 /-327.0 /-330.0 /-332.0 /				
22	5.443-370.0	Nipple	1	PC	
38	5.553-465.0	Piston	1	PC	
	Item text1: 1.286-324.0 /-327.0 /-330.0 /-332.0 /				
13	5.581-270.0	Valve seat	1	PC	
39	5.584-134.0	Valve pin	1	PC	
	Item text1: 1.286-324.0 /-327.0 /-330.0 /-332.0 /				
17	5.769-082.0	Nozzle insert D2.0/ D2.7/ L38	1	PC	
30	5.769-141.3	Nozzle insert for replacement	1	PC	
	Item text1: 1.286-324.0 /-327.0 /-330.0 /-332.0 /				
37	6.362-365.0	O-Ring seal complete 1ST.-R.- 7,65X 1,7	1	PC	
	Item text1: 1.286-324.0 /-327.0 /-330.0 /-332.0 /				
29	6.362-528.0	O-Ring seal 9,5 X 2,0	1	PC	
	Item text1: 1.286-324.0 /-327.0 /-330.0 /-332.0 /				
11	6.363-244.0	O-Ring seal 12.42x1.78	1	PC	VERSION 1
27	7.306-118.0	Screw M 6x35 -8.8-R3R (In6Rd)	2	PC	