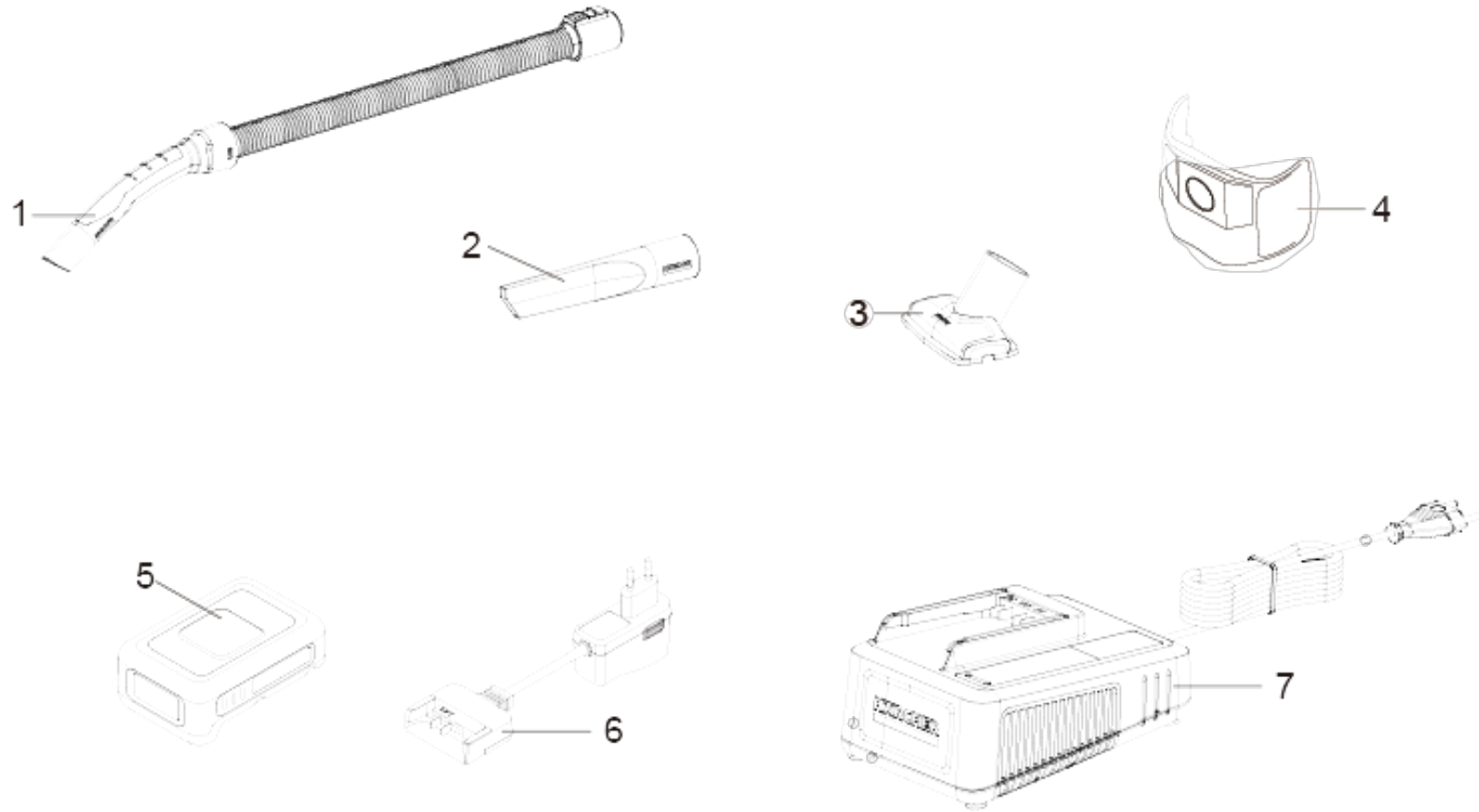


30 ACCESSORIES

Home and Garden \ Vacuum cleaner \ Wet-/Dry vacuum cleanerwet \ WD 1 Compact Battery Refit *EU \ ACCESSORIES



30 ACCESSORIES

Home and Garden \ Vacuum cleaner \ Wet-/Dry vacuum cleanerwet \ WD 1 Compact Battery Refit *EU \ ACCESSORIES



POS	Article no.	Description	Quantity	Unit	Remark
1	9.754-445.0	Hose completely extruded	1	PC	
2	9.765-274.0	Crevice nozzle DN35	1	PC	
3	9.765-275.0	Upholstery nozzle DN35	1	PC	
4	2.863-297.0	Filter bags WD 1 Compact Battery 5pc.	1	PC	
5	2.445-034.0	Battery Power 18/25 DW *INT	1	PC	2,5Ah
5	2.445-035.0	Battery Power 18/50 DW *INT	1	PC	5,0Ah
6	6.445-050.3	Plug-in charger packaged 18/5 *EU	1	PC	
7	2.445-032.0	Fast battery recharger Battery Power 18 V *EU	1	PC	18V/2,5A
7	2.445-044.0	Battery charger Battery Power+ 18/60 *EU	1	PC	18V/6,0A
7	2.445-054.0	Uni-Charger Battery Power+ 18-36/60 *EU	1	PC	18/36V - 2,5-6,0A