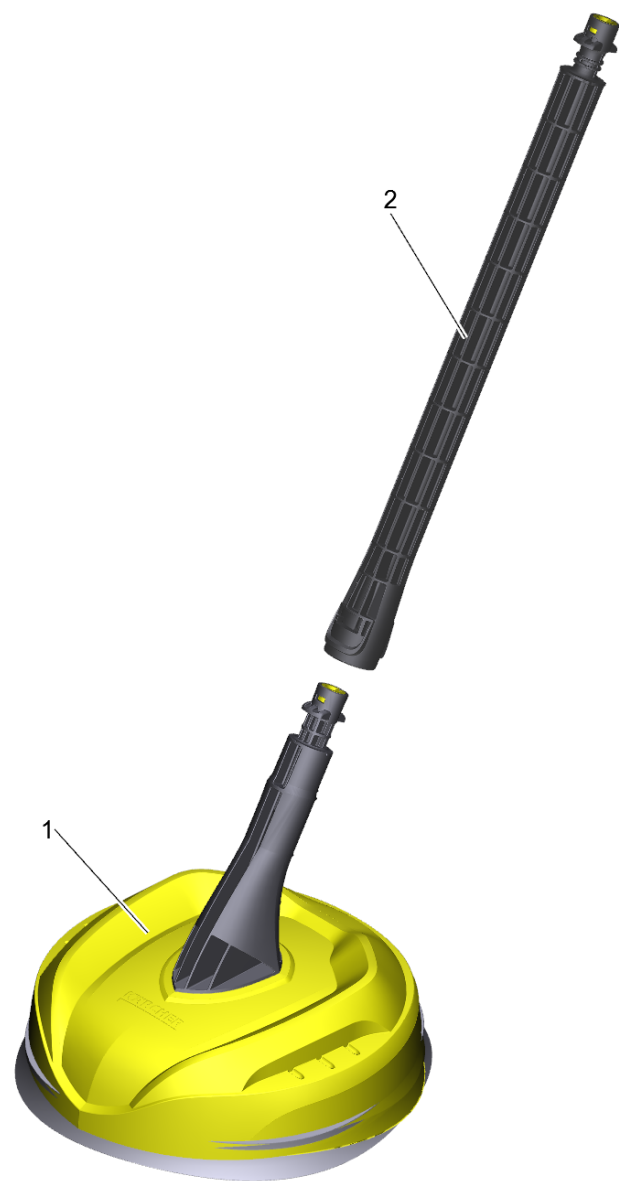


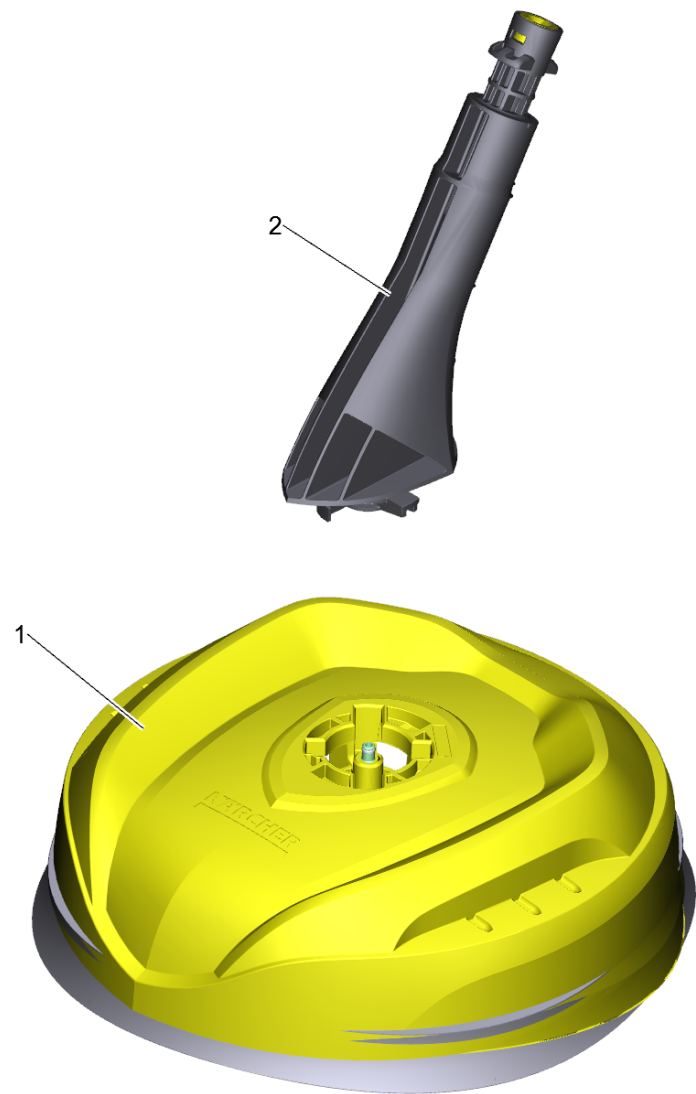
Table of contents

T 2 (2.644-086.0)	2
1 T 2 complete	4
1 Cover complete	6
1 Rotor complete green T 150	8
10 Spare part set rotor complete (2.883-000.0)	10
20 Spare part set nozzles 0135 (2.885-491.0)	12
2 Adapter complete	14
2 Jet pipe 0,4m (4.760-090.0)	16



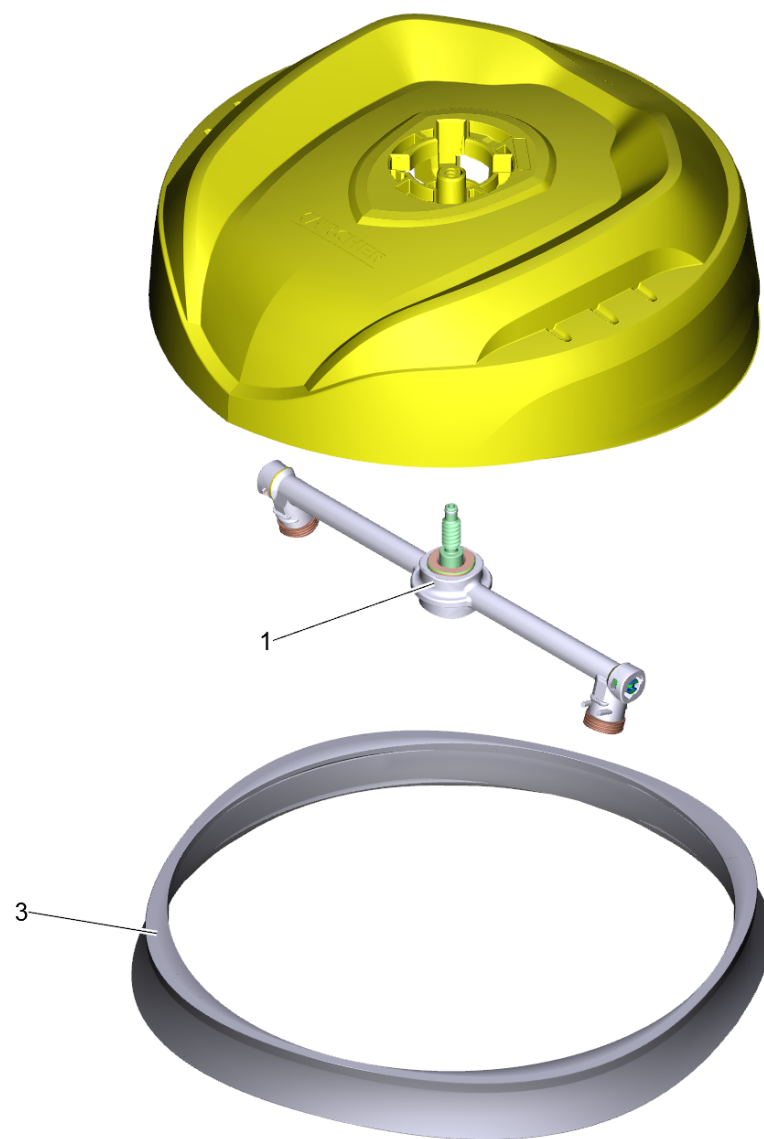
T 2 (2.644-086.0)

POS	Article no.	Description	Quantity	Unit
1		T 2 complete	1	PC
2	4.760-090.0	Jet pipe 0,4m	1	PC



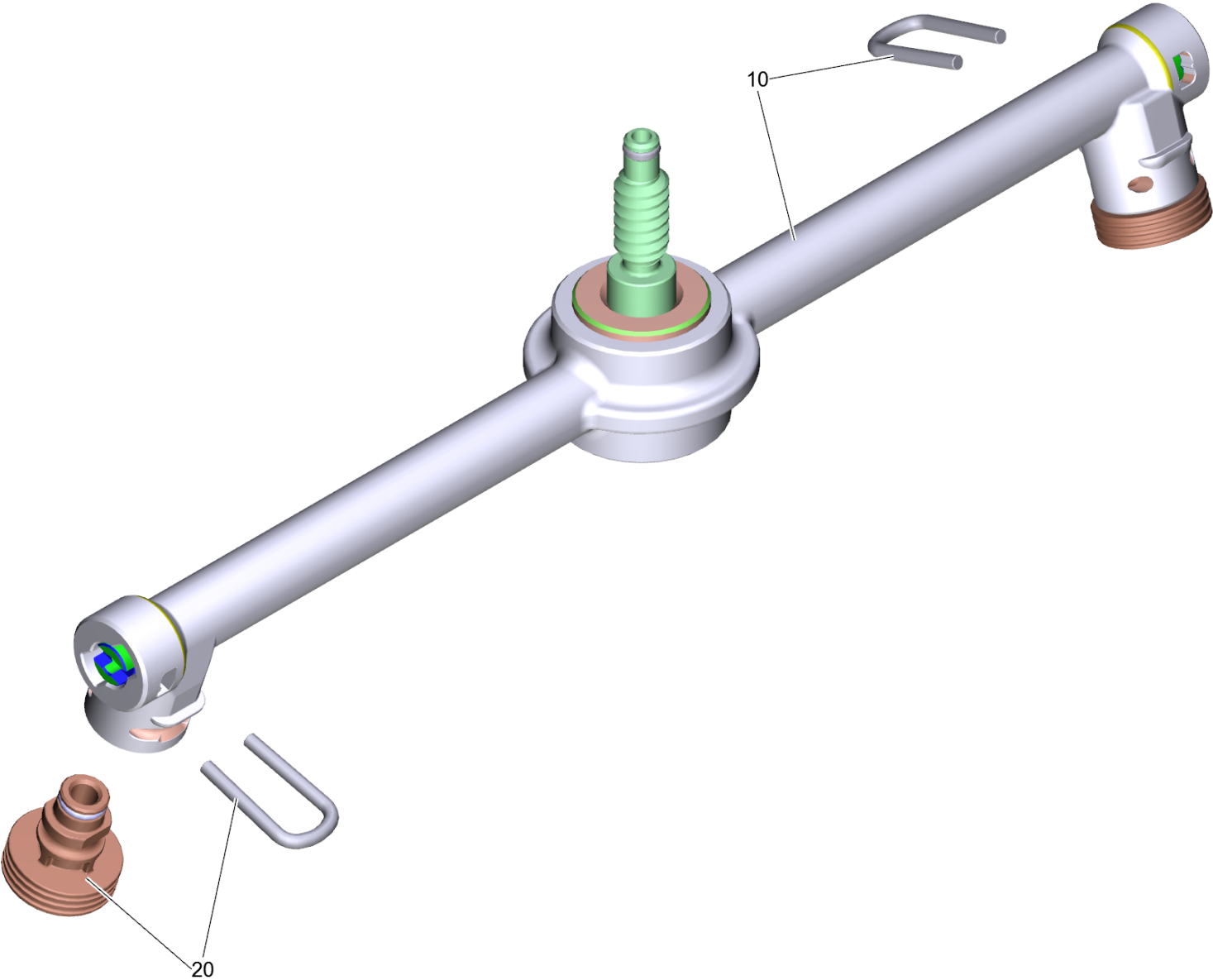
1 T 2 complete

POS	Description	Quantity	Unit
1	Cover complete	1	PC
2	Adapter complete	1	PC



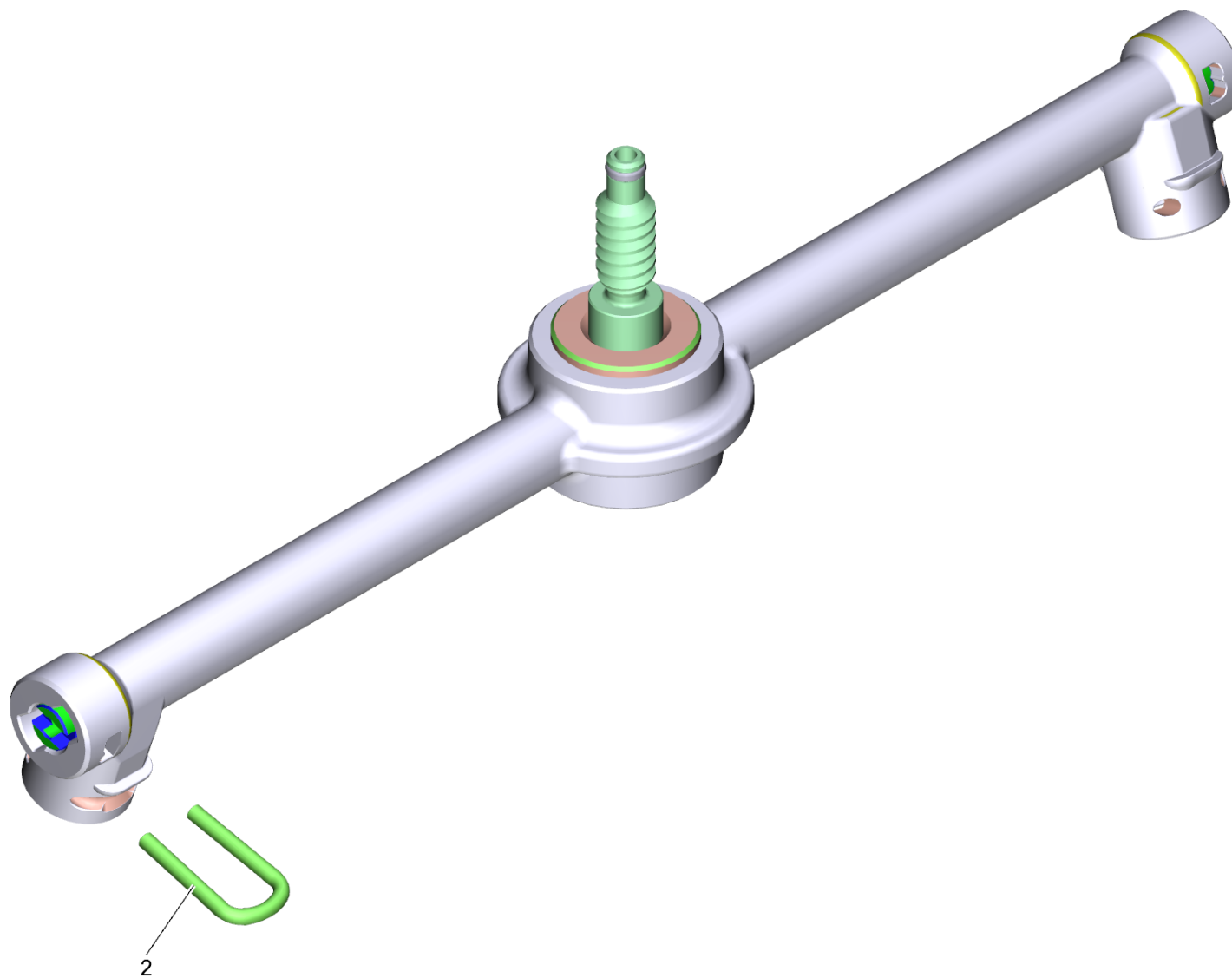
1 Cover complete

POS	Article no.	Description	Quantity	Unit
1		Rotor complete green T 150	1	PC
3	6.369-484.0	Strip brush complete	1	PC



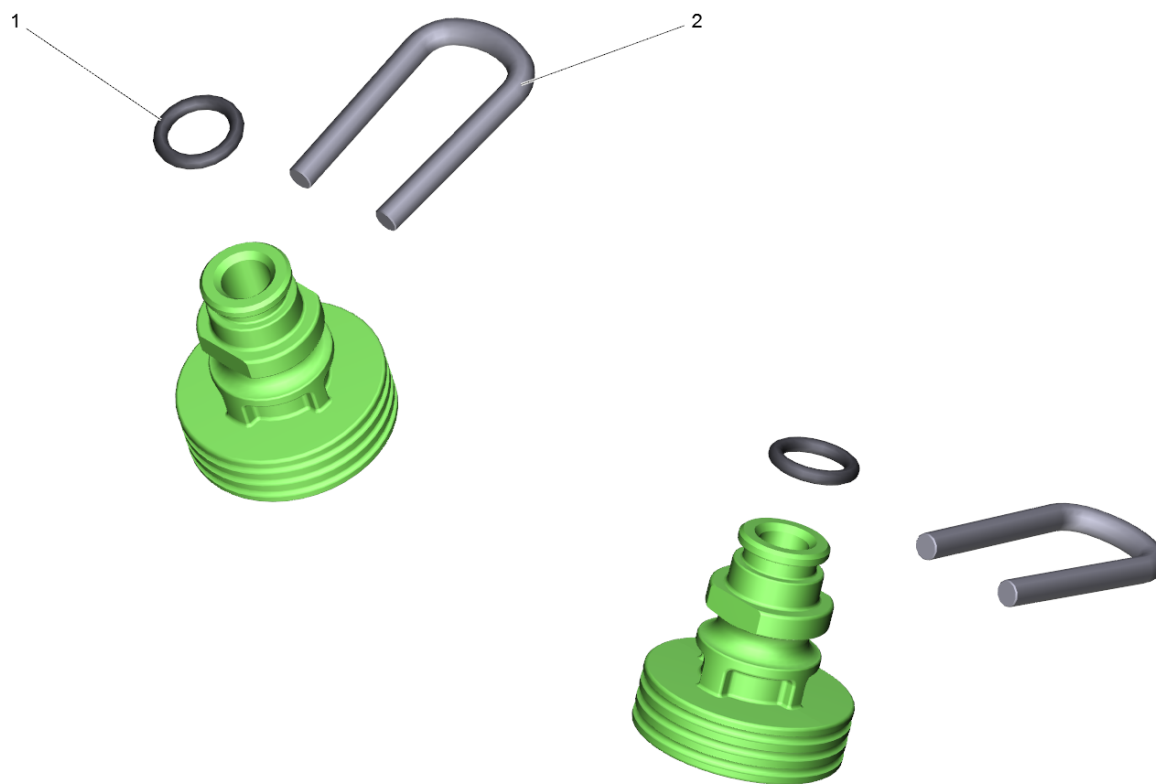
1 Rotor complete green T 150

POS	Article no.	Description	Quantity	Unit
10	2.883-000.0	Spare part set rotor complete	1	PC
20	2.885-491.0	Spare part set nozzles 0135	1	PC



10 Spare part set rotor complete (2.883-000.0)

POS	Article no.	Description	Quantity	Unit
2	5.037-151.0	Clamp	2	PC



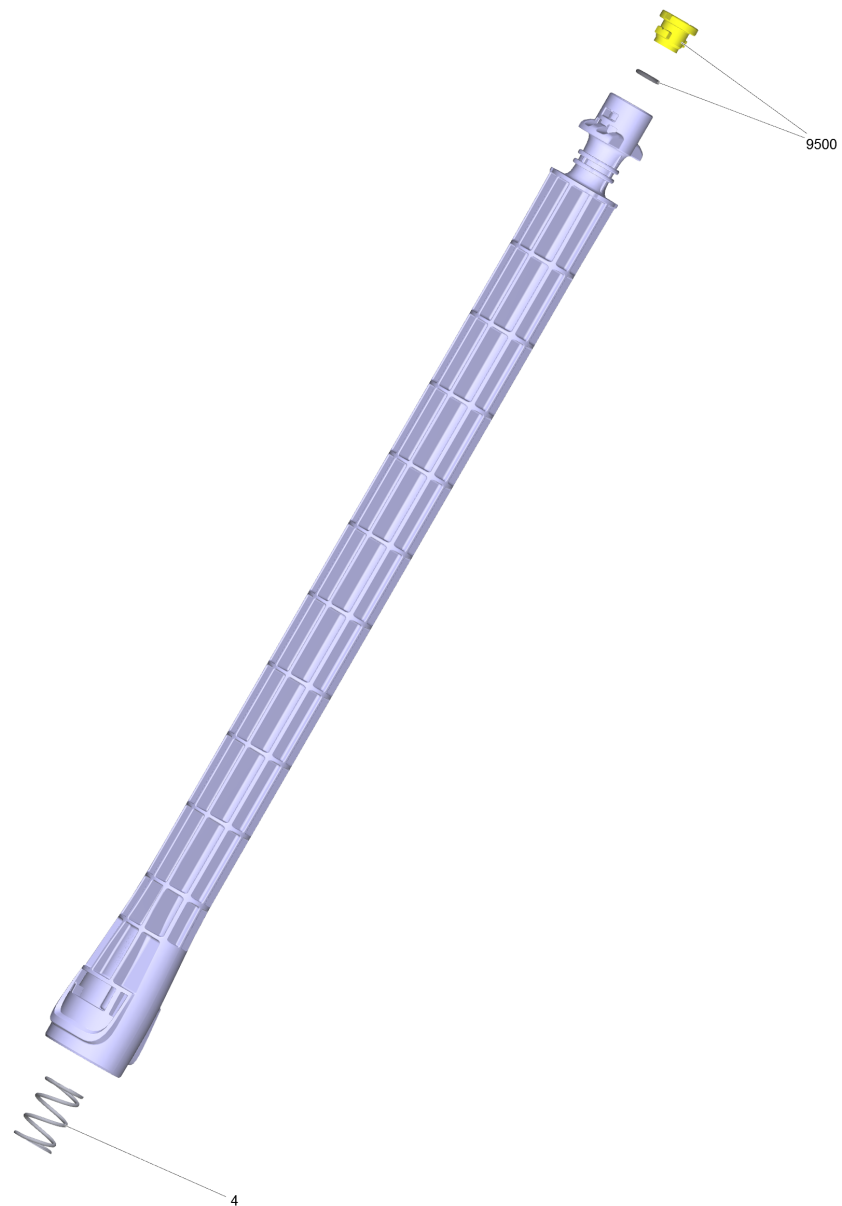
20 Spare part set nozzles 0135 (2.885-491.0)

POS	Article no.	Description	Quantity	Unit
1	6.363-609.0	O-Ring seal 5 x 1,2 -EPDM	2	PC
2	5.037-151.0	Clamp	2	PC



2 Adapter complete

POS	Article no.	Description	Quantity	Unit
901	2.640-729.0	O-Ring seal set	1	PC



2 Jet pipe 0,4m (4.760-090.0)

POS	Article no.	Description	Quantity	Unit
4	5.332-464.0	Pressure spring	1	PC
9500	2.640-729.0	O-Ring seal set	1	PC