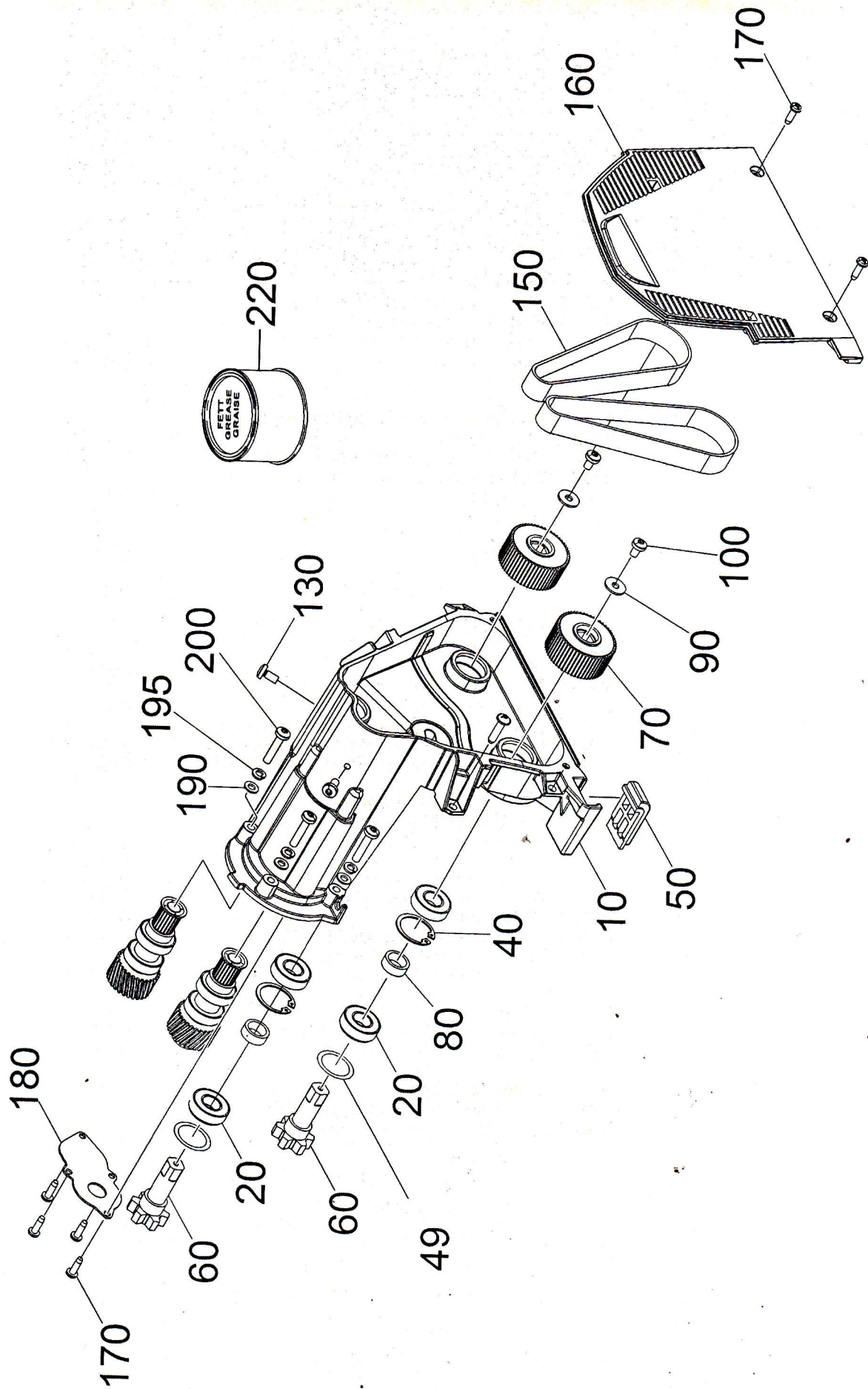


8 Gear complete counter rotation (4.035-004.0)



8 Gear complete counter rotation (4.035-004.0)

POS	Article no.	Description	Quantity	Unit
10	5.035-384.0	Carrier motor worked R	1.000	ST
20	7.401-115.0	Ball bearing 6002-2RS -WAEZLAGST DIN 62	4.000	ST
30	6.363-469.0	Joint ring stainless steel Nilos 6002	2.000	ST
40	7.343-231.0	Locking ring 32x1,2 -St-ph DIN 472	2.000	ST
50	5.056-010.0	Rocker BR-VS	1.000	ST
60	5.100-650.0	Driveshaft	2.000	ST
70	5.625-507.0	Belt pulley 56Z	2.000	ST
80	5.110-686.0	Spacer sleeve	2.000	ST
90	7.312-276.0	Washer 6 -200HV-A2E ISO7093-1	2.000	ST
100	6.304-180.0	Screw M6X12-A2/70-ISO7045 (IN6RD)	2.000	ST
120	4.035-381.0	Shaft gear right	2.000	ST
130	7.306-089.0	Screw M6x12 -8.8-R2R (In6Rd)	1.000	ST
140	4.035-380.0	Shaft gear left	2.000	ST
150	4.035-005.0	Toothed belt replacement	1.000	ST
160	5.035-385.0	Cover gear	2.000	ST
170	7.303-039.0	Screw M5x16 -St-A2R (In6Rd)	1.000	ST
180	5.035-684.0	Covering cap gear	2.000	ST
190	7.312-026.0	Washer 6 -A2 ISO 7090	1.000	ST
195	7.313-003.0	Spring washer B 6-FSt-A3E DIN 127	4.000	ST
200	7.306-196.0	Screw M 6x30-A2-70 (IN6RD)	4.000	ST
220	6.288-095.0	Viscous oil	4.000	ST
230	7.303-038.0	Screw M5x12 -St-P2R (In6Rd)	1.000	ST
			4.000	ST