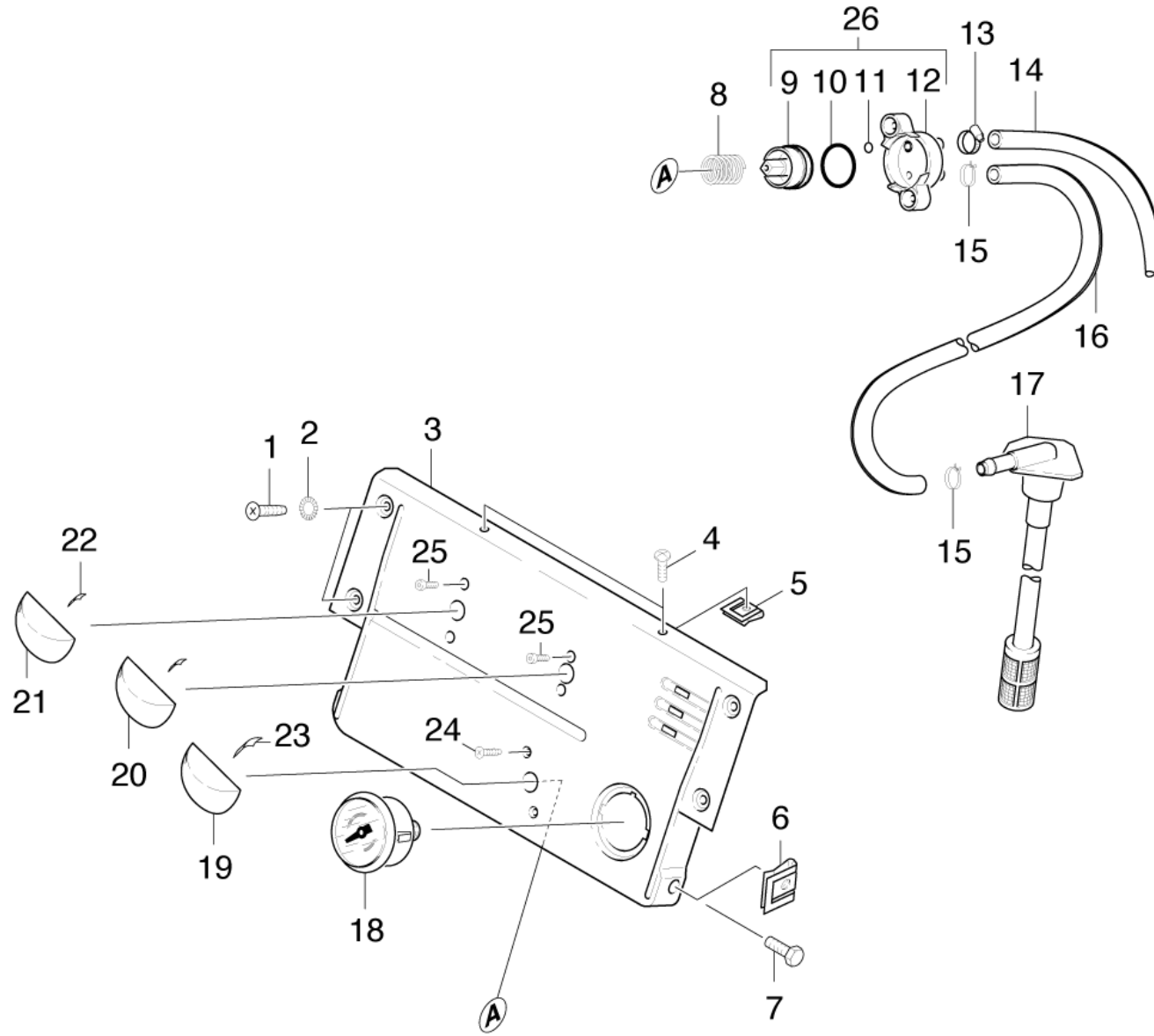


110 Control panel

Overview technical documents/Professional/High pressure cleaner hotwater/Electric motor/HDS 945 *CSA-CA (1.027-871.0)/Spare parts list HDS 945*CSA/CDN/110 Control panel



110 Control panel

Overview technical documents/Professional/High pressure cleaner hotwater/Electric motor/HDS 945 *CSA-CA (1.027-871.0)/Spare parts list HDS 945*CSA/CDN/110 Control panel

Rez.daļas/nodil.pakļ.daļas	Poz.	Materiāla Nr.	Nosaukums	Daudzums	Pārdoš. vienība	no sēr. Nr..	līdz sēr. Nr.
	1	7.303-038.0	Screw M6x20 -St-R3R (In6Rd)	4.000	ST	0000000000	0000000000
	2	7.312-172.0	Toothed lock washer A5,3-FSt-A3E DIN 67	2.000	ST	0000000000	0000000000
	3	5.841-347.0	Vadības panelis	1.000	ST	0000000000	0000000000
	4	7.306-077.0	Screw M5x16 -8.8-R2R (In6Rd)	2.000	ST	0000000000	0000000000
	5	6.310-051.0	Putting nut M 5	2.000	ST	0000000000	0000000000
	6	6.310-082.0	Putting nut M6	2.000	ST	0000000000	0000000000
	7	7.304-382.0	Hexagonal head screw M 6x12-8.8-A2E ISO	2.000	ST	0000000000	0000000000
	8	5.332-028.0	Helical spring	1.000	ST	0000000000	0000000000
	9	5.581-039.0	Valve seat	1.000	ST	0000000000	0000000000
	10	6.362-712.0	Gredzenblīve 25,3 X 2,4	1.000	ST	0000000000	0000000000
	11	6.362-386.0	Gredzenblīve 5,0 x 1,5-NBR 80	1.000	ST	0000000000	0000000000
	12	5.587-054.0	Vārsta korpus	1.000	ST	0000000000	0000000000
	13	6.388-515.0	Hose clip	1.000	ST	0000000000	0000000000
	14	6.388-194.0	Šļūtene DN 7	1.000	M	0000000000	0000000000
	15	6.388-559.0	Hose clip	2.000	ST	0000000000	0000000000
	16	6.388-225.0	Šļūtene DN 7	1.000	M	0000000000	0000000000
X	17	6.414-028.0	Filtrs	1.000	ST	0000000000	0000000000
X-X	18	6.421-170.0	Manometrs 0-315 bāri	1.000	ST	0000000000	0000000000
	19	5.321-379.0	Tureklis	1.000	ST	0000000000	0000000000
	20	5.321-378.0	Tureklis	1.000	ST	0000000000	0000000000
	21	5.321-377.0	Tureklis	1.000	ST	0000000000	0000000000
X-X	22	6.313-014.0	Spailes atspere	2.000	ST	0000000000	0000000000
	23	5.337-021.0	Atsperes plāksne	1.000	ST	0000000000	0000000000
	24	7.305-255.0	Kon. gremdg. skr. M 4x12-A2-70-sw ISO70	2.000	ST	0000000000	0000000000
	25	7.306-236.0	Screw M4x6 -8.8-R2R (In6Rd)	4.000	ST	0000000000	0000000000

110 Control panel

Overview technical documents/Professional/High pressure cleaner hotwater/Electric motor/HDS 945 *CSA-CA (1.027-871.0)/Spare parts list HDS 945*CSA/CDN/110 Control panel

Rez.daļas/nodil.pakļ.daļas	Poz.	Materiāla Nr.	Nosaukums	Daudzums	Pārdoš. vienība	no sēr. Nr..	līdz sēr. Nr.
X-X	26	4.580-064.0	Valve	1.000	ST	0000000000	0000000000