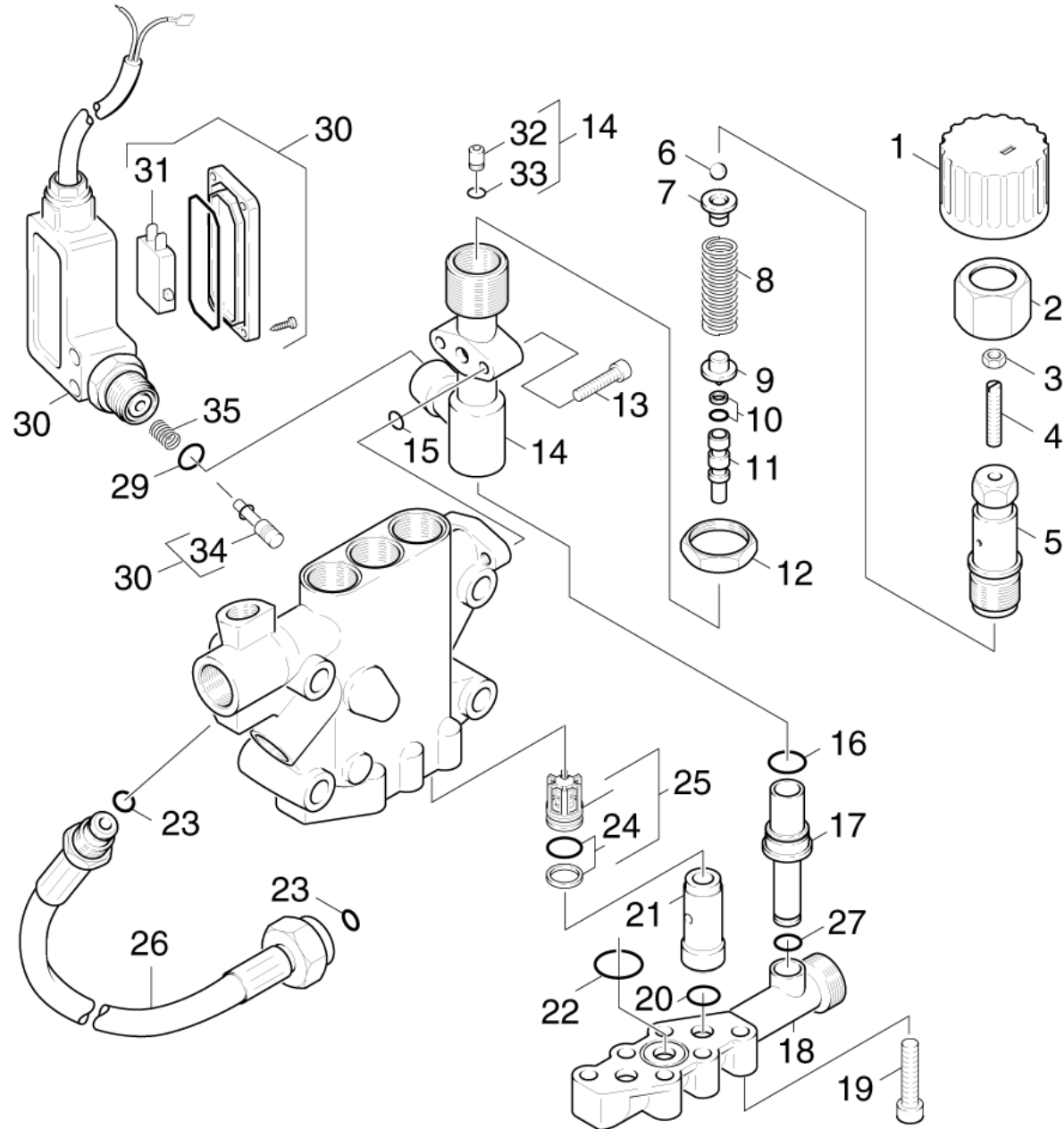


## 23 Suction side

Professional \ High pressure cleaner hotwater \ Electric motor \ HDS 695 S \*EU \ Spare parts list HDS 695 S \ Pump set \ Suction side



## 23 Suction side

Professional \ High pressure cleaner hotwater \ Electric motor \ HDS 695 S \*EU \ Spare parts list HDS 695 S \ Pump set \ Suction side

POS	Article no.	Description	Quantity	Unit
1	5.321-406.0	Handhold	1	PC
2	5.311-164.0	Hexagon nut	1	PC
3	7.311-003.0	Hexagon nut M6 -8-A2E ISO 4032	1	PC
4	7.307-418.0	Threaded pin M6x35 -St-45H-A2E ISO 4026	1	PC
5	5.304-061.0	Hexagonal head screw	1	PC
6	7.401-918.0	Sphere 6 G300 -1.4301 DIN 5401	1	PC
7	5.582-103.0	Valve disc	1	PC
8	5.332-285.0	Helical spring	1	PC
9	5.584-077.0	Valve pin	1	PC
10	6.363-115.0	O-Ring seal complete 1ST.-R.	1	PC
11	5.553-249.0	Piston	1	PC
12	5.311-165.0	Hexagon nut M30x1,5	1	PC
13	7.306-105.0	Screw M6x30 -8.8-R3R (In6Rd)	1	PC
14	4.060-224.0	Housing complete	1	PC
15	6.362-482.0	O-Ring seal 10 x 1,5-NBR 70	1	PC
16	6.362-534.0	O-Ring seal 18,0 X 2,0-NBR 70	1	PC
17	5.402-499.0	CONNECTION PIECE	1	PC
18	5.587-141.0	Valve housing	1	PC
19	7.306-044.0	Cylinder head screw M8x35 -8.8-A2E ISO4	6	PC
20	6.362-153.0	O-Ring seal 15,3 X 2,4-NBR 70	2	PC
21	5.110-518.0	Sleeve	1	PC
22	6.362-547.0	O-Ring seal 20,0x1,5-NBR 70	1	PC
23	6.362-392.0	O-Ring seal 10,0 X 2,0	2	PC
24	4.363-693.0	O-Ring seal kpl. -nur fuer Ersatz-	3	PC
25	2.884-906.0	TRIPLE VALVE	2	PC
26	6.389-568.0	High pressure hose DN 8	1	PC
27	6.362-797.0	O-Ring seal 9,0 X 2,0	1	PC
29	2.880-154.0	O-Ring kit	1	PC
30	6.630-050.0	Pressure switch	1	PC
31	6.631-792.0	Switch	1	PC
32	5.581-143.0	Valve seat	1	PC
33	6.362-703.0	O-Ring seal 6,0x1,5-NBR 70	1	PC
34	6.630-038.0	Piston complete	1	PC

## 23 Suction side

Professional \ High pressure cleaner hotwater \ Electric motor \ HDS 695 S \*EU \ Spare parts list HDS 695 S \ Pump set \ Suction side



POS	Article no.	Description	Quantity	Unit
35	6.330-202.0	Pressure spring 8 bar	1	PC