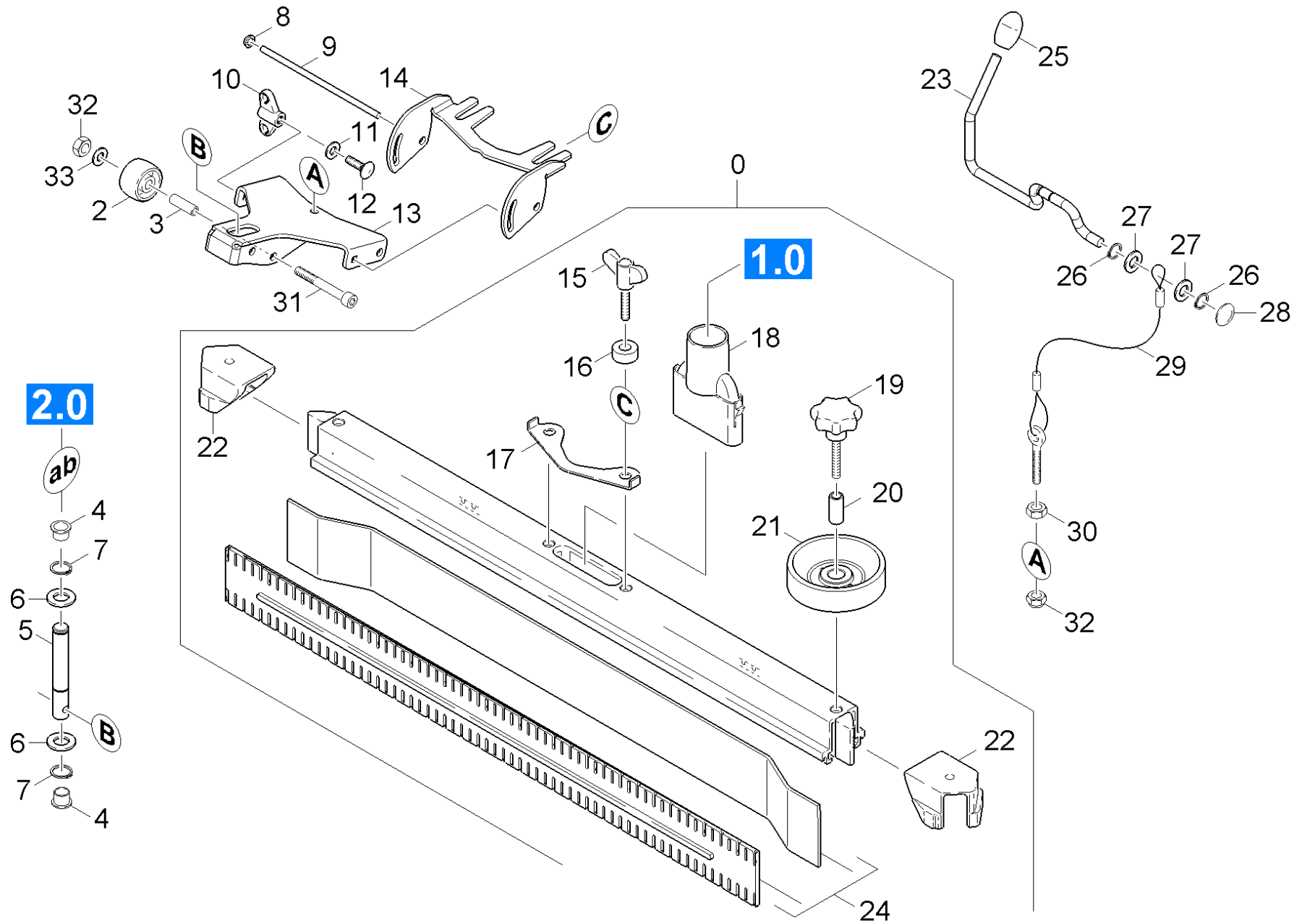


61 Suction bar

Professional \ Floor cleaner \ Walk behind \ BD 40/25 C Bp *EU \ Spare parts list BR/BD 40/25 C \ Suction mechanism \ Suction bar



61 Suction bar

Professional \ Floor cleaner \ Walk behind \ BD 40/25 C Bp *EU \ Spare parts list BR/BD 40/25 C \ Suction mechanism \ Suction bar

KÄRCHER

POS	Article no.	Description	Quantity	Unit
0	4.777-300.0	Suction bar 770AB oLR	1	PC
2	5.435-004.0	Roller D40	1	PC
3	5.112-633.0	Bush	1	PC
4	6.437-484.0	Bearing bush	2	PC
5	5.317-357.0	Bolt suction bar BR/BD 40/25	1	PC
6	7.312-057.0	Washer 16 -A2 ISO 7089	2	PC
7	7.343-306.0	Lock washer 12-St-A2E DIN 6799	1	PC
8	6.343-132.0	Lock washer 8	2	PC
9	5.107-202.0	Bar	1	PC
10	6.310-180.0	Wing nut M6	1	PC
11	7.312-292.0	Washer 6 -A2 ISO 7093-1	1	PC
12	7.303-139.0	Saucer-head screw M6x20 -A2 DIN 603	1	PC
13	5.044-723.0	Holder suction bar	1	PC
14	5.058-987.0	Rocker suction bar	1	PC
15	5.305-008.0	Wing screw M8x30 VA	2	PC
17	5.007-217.0	Plate	1	PC
18	5.031-989.0	Suction nipple	1	PC
19	6.321-239.0	Star grip VA Ø50x43	2	PC
20	5.094-231.0	Sleeve suction bar in VA	2	PC
21	5.515-267.0	Deflector roll	2	PC
22	2.885-294.0	End piece left / right spare parts set	1	PC
23	5.034-735.0	Retaining bracket suction bar	1	PC
24	6.273-262.0	Rubber lip set anti stripe oil resistant	1	ZSA
24	6.273-353.0	Rubber lip set standard	1	SET
24	6.273-354.0	Rubber lip set oil resistant	1	SET
25	6.321-185.0	Push button	1	PC
26	7.343-205.0	Lock washer 9-St-A2E DIN 6799	2	PC
27	7.312-005.0	Washer 10-200HV-A3E ISO 7089	2	PC
28	6.343-191.0	Quick-fastener	1	PC
29	4.172-024.0	Rope complete	1	PC
30	7.311-224.0	Hexagon nut M 8-04-A2E ISO 4035	1	PC
31	7.306-222.0	Cylinder head screw M8x55 -A4-70 ISO 47	2	PC
32	7.311-427.0	Hexagon nut M8-04-A2E DIN 985	3	PC

61 Suction bar

Professional \ Floor cleaner \ Walk behind \ BD 40/25 C Bp *EU \ Spare parts list BR/BD 40/25 C \ Suction mechanism \ Suction bar



POS	Article no.	Description	Quantity	Unit
33	7.312-017.0	Washer 8-A2 ISO 7089	2	PC