

Spare parts list

(1.524-904.0) HD 6/16-4 MX Plus *EU

Table of contents

HD 6/16-4 MX Plus *EU (1.524-904.0)	4
Spare parts list HD 6/16-4 MX Plus *EU (5.974-198.0)	5
10 Housing	6
11 Housing	7
10 Cover cleaning agents complete (4.060-866.0)	9
12 Hose reel	11
2 Spare part set (2.884-857.0)	13
4 Spare part set (2.884-858.0)	15
20 Pump set	17
21 Cylinder head	18
5 Suction cover complete (4.064-005.0)	21
9 Pressure gauge complete (4.423-024.0)	22
10 Valve (3 Stueck) (2.884-512.0)	23
13 SPARE PARTS SET (2.883-988.0)	25
16 Valve screw (4.483-001.0)	27
25 Valve pin complete (4.584-022.0)	29
27 Nozzle insert complete (4.769-052.0)	31
32 Spare part set (2.884-551.0)	32
37 Valve complete (4.580-594.0)	33
22 Thrust guidance	35
100 Pump set for piston HD 9/19M (2.885-019.0)	37
7 Valve screw (4.483-001.0)	38
10 Valve (3 Stueck) (2.884-512.0)	40
30 Motor	42
31 Transmission	43
32 Ventilation	45
40 Accessories	47
41 EASY!Force Advanced (4.118-005.0)	49
1 Hand trigger gun TR EH 155	50
9000 Spare part set lever (2.885-483.0)	52
42 Hose assembly TR rotatable DN6 25MPa 15m (6.110-037.0)	54
43 Jet pipe TR 1050 mm (4.112-000.0)	56
1 Jet pipe TR 1050 mm	57
44 Triple jet nozzle TR 038 (4.117-032.0)	59
1 Triple jet nozzle TR 038	60
45 Rotary controller TR 270L (4.118-007.0)	62
1 Rotary controller TR 270L	63
46 Dirt blaster TR 040 Prof. (4.114-041.0)	65

Table of contents

999 Spare part set dirt blaster 04-HD 1050 (2.883-471.0)	67
50 Electric box	69
1040 Short spare parts list	71

HD 6/16-4 MX Plus *EU (1.524-904.0)

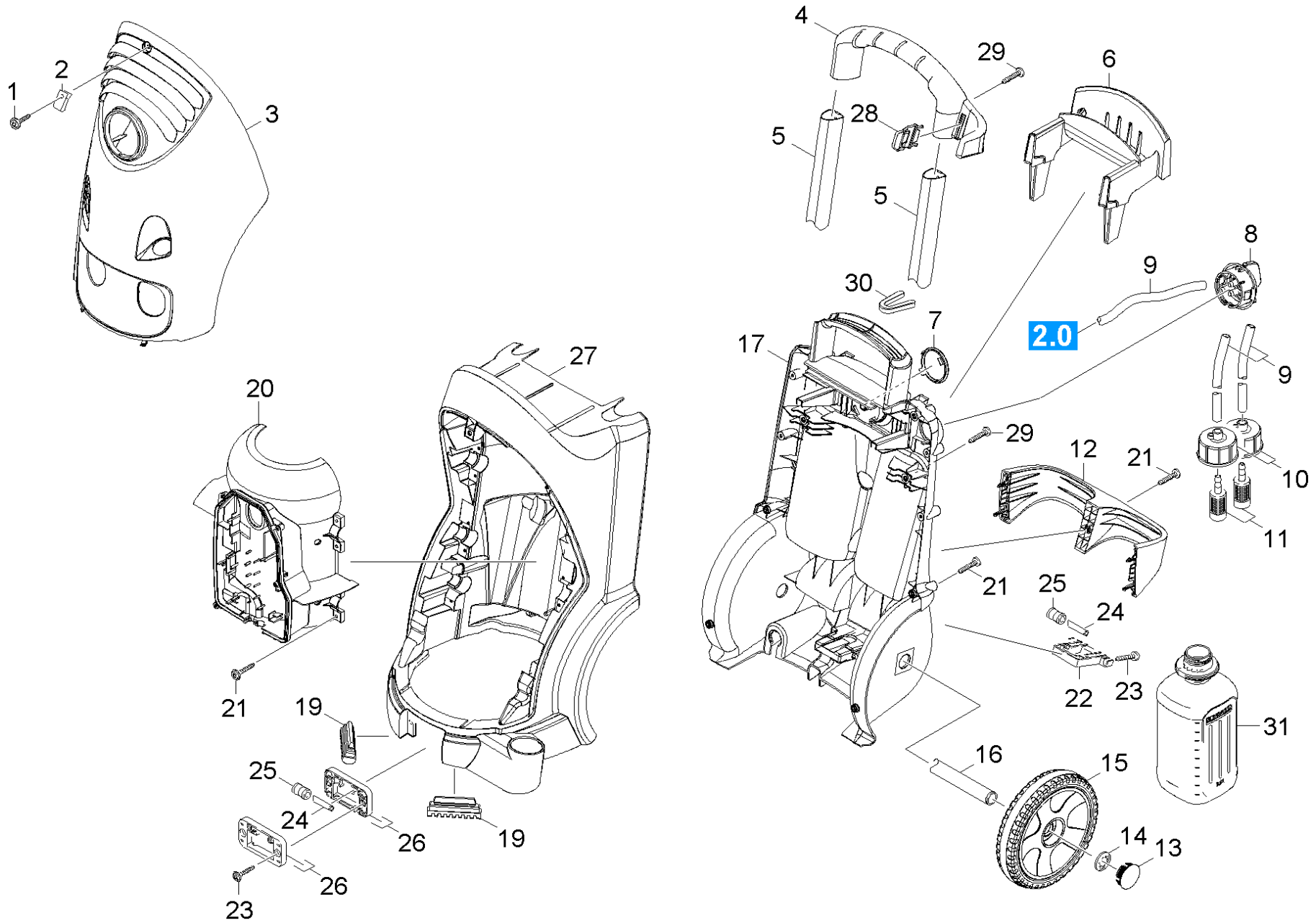
POS	Article no.	Description	Quantity	Unit
0	5.974-198.0	Spare parts list HD 6/16-4 MX Plus *EU	1.000	ST
1040		Short spare parts list	1.000	ST

Spare parts list HD 6/16-4 MX Plus *EU (5.974-198.0)

POS	Description	Quantity	Unit
10	Housing	1.000	ST
20	Pump set	1.000	ST
30	Motor	1.000	ST
40	Accessories	1.000	ST
50	Electric box	1.000	ST

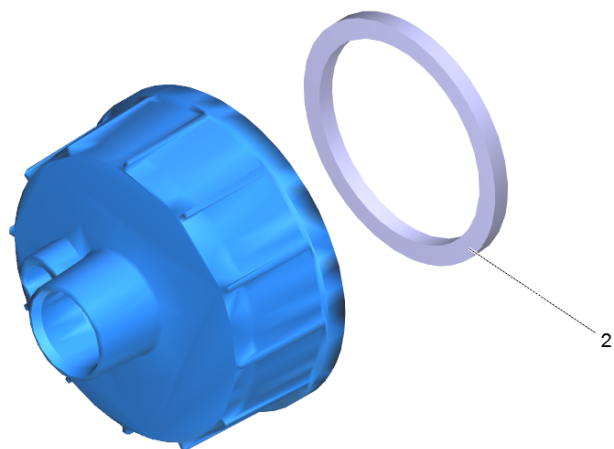
10 Housing

POS	Description	Quantity	Unit
11	Housing	1.000	ST
12	Hose reel	1.000	ST



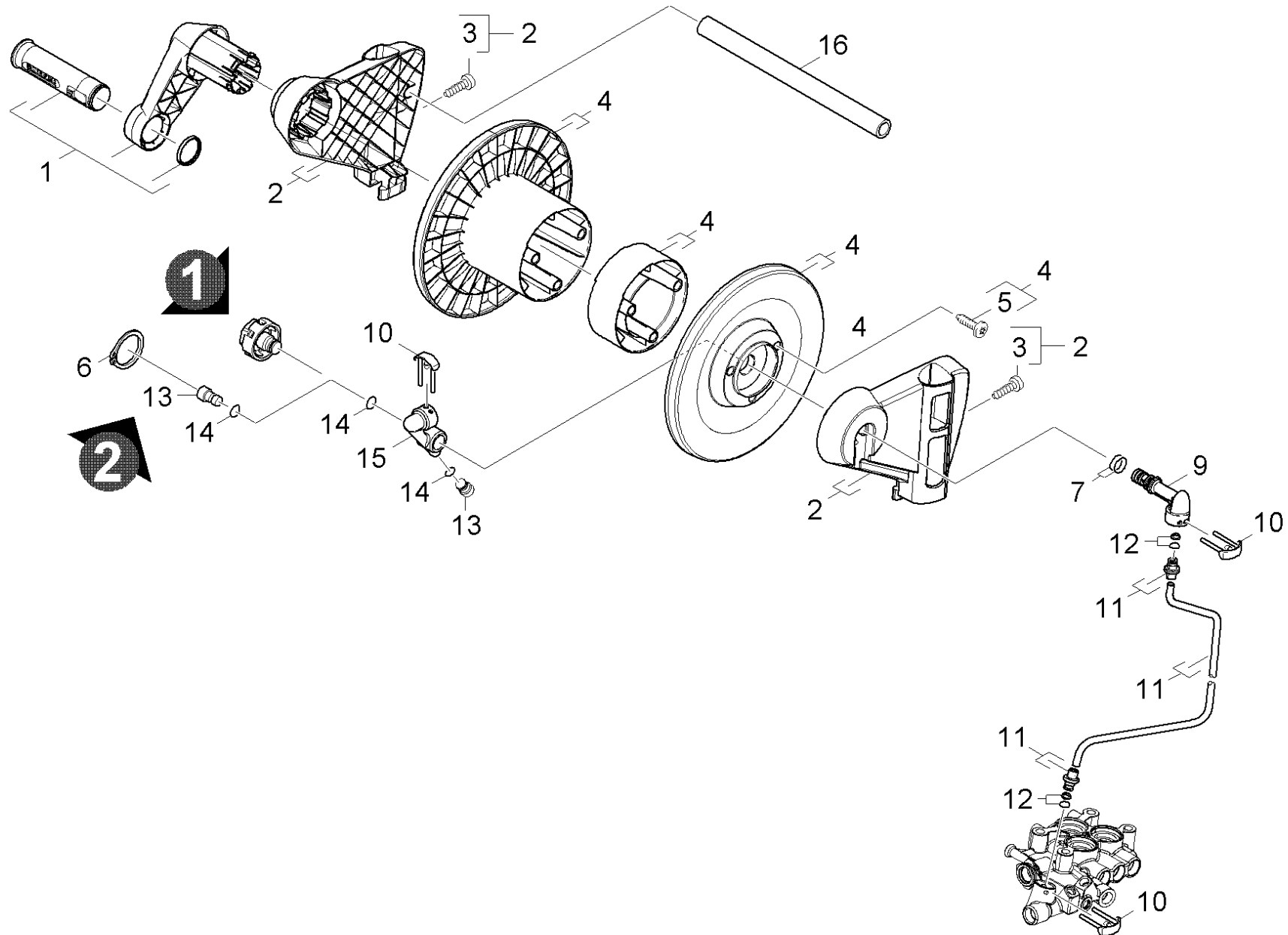
11 Housing

POS	Article no.	Description	Quantity	Unit	Foot note text
1	6.304-099.0	Saucer-head screw M 6x 18-4.8-R2R	1.000	ST	
2	6.310-053.0	Putting nut	1.000	ST	
3	4.069-025.0	Cover HD Basis/Mittelklasse Anthrazit	1.000	ST	
4	5.321-751.0	Handhold	1.000	ST	
5	5.107-262.0	Bar	2.000	ST	
6	5.044-735.0	Holder	1.000	ST	
7	5.032-475.0	Covering cap cover	1.000	ST	
8	4.580-645.0	Proportioning valve chemistry	1.000	ST	
9	6.388-216.0	Hose DN 5	1.000	M	TO ORDER AS CUT GOODS
10	4.060-866.0	Cover cleaning agents complete	2.000	ST	
11	5.731-652.0	Filter with weight	2.000	ST	
12	5.032-747.0	Retaining bracket	1.000	ST	
13	2.889-086.0	Set wheel cap	1.000	ST	SET OF 2 PIECES
14	6.343-217.0	Clamping washer D25	2.000	ST	
15	4.515-320.0	Wheel complete	1.000	ST	SET OF 2 PIECES
16	5.105-413.0	Axle	1.000	ST	
17	5.050-431.0	Frame rear panel	1.000	ST	
19	5.057-062.0	Support	2.000	ST	
20	5.692-075.0	Air circulation	1.000	ST	
21	7.303-108.0	Screw 5x20 -10.9-R2R (In6Rd)	19.000	ST	
22	5.044-647.0	Holder roller rear	1.000	ST	
23	7.303-110.0	Screw 5x35 -10.9-R2R (In6Rd)	4.000	ST	
24	5.128-511.0	Axle	4.000	ST	
25	5.515-191.0	Roller	4.000	ST	
26	5.044-646.0	Holder roller front	2.000	ST	
27	5.050-252.0	Frame front part	1.000	ST	
28	5.044-216.0	Holder	1.000	ST	
29	7.303-048.0	Screw M6x20 -St-R3R (In6Rd)	8.000	ST	
30	5.032-782.0	Moulded part	1.000	ST	
31	6.394-491.0	Bottle PE 2,5 L	2.000	ZST	



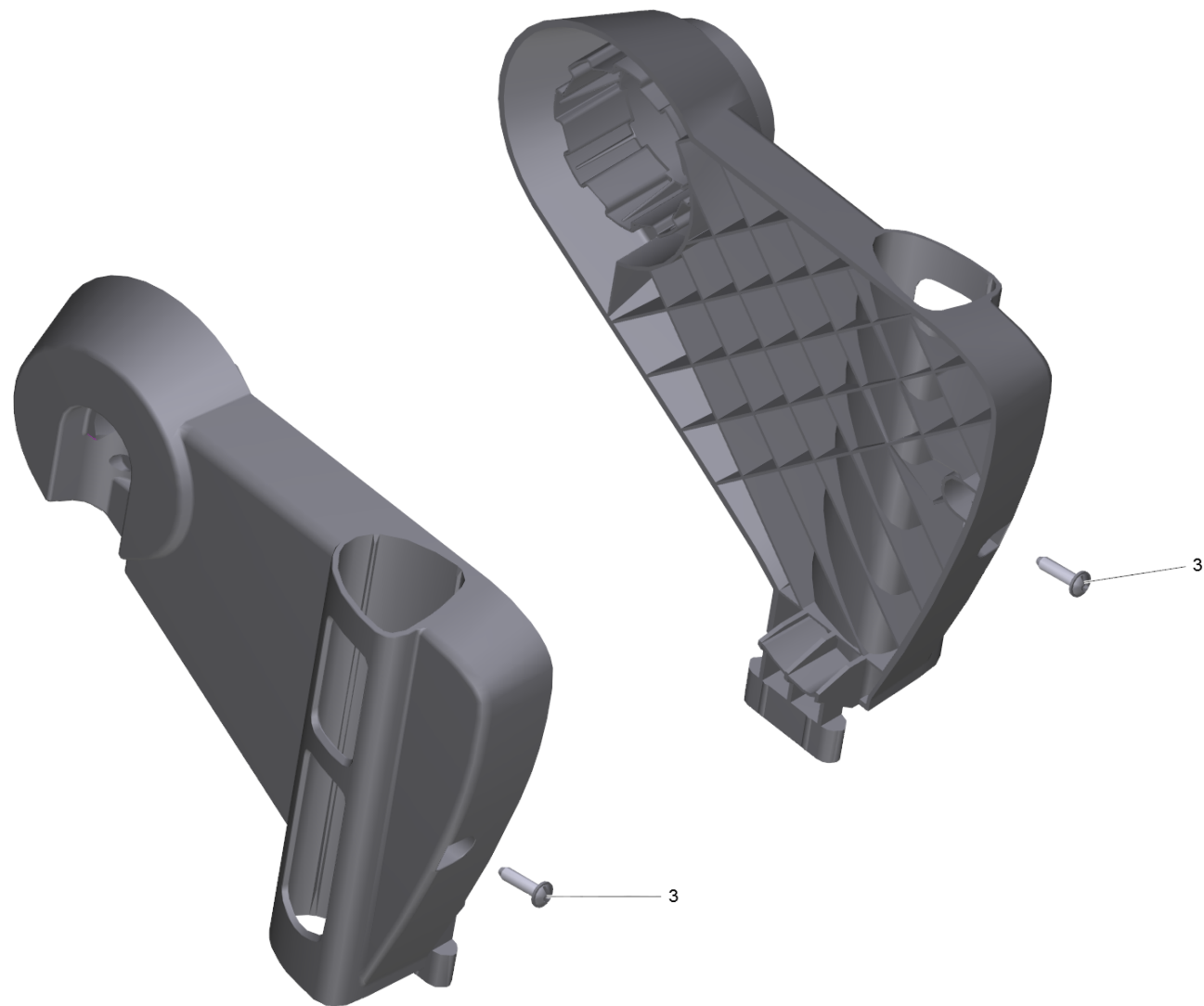
10 Cover cleaning agents complete (4.060-866.0)

POS	Article no.	Description	Quantity	Unit
2	6.363-304.0	Seal	1.000	ST



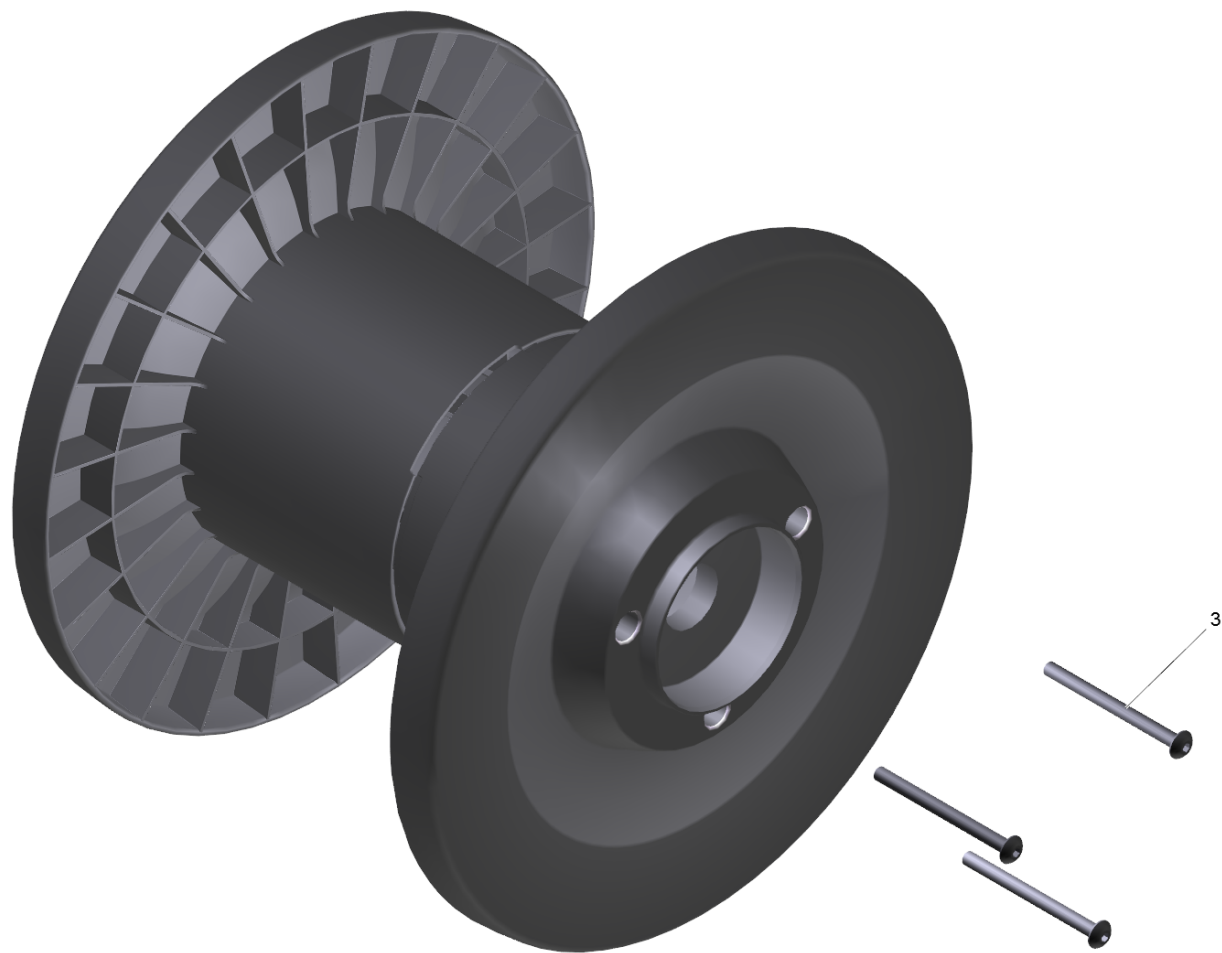
12 Hose reel

POS	Article no.	Description	Quantity	Unit
1	4.481-213.0	Crank complete	1.000	ST
2	2.884-857.0	Spare part set	1.000	ST
3	7.303-048.0	Screw M6x20 -St-R3R (In6Rd)	2.000	ST
4	2.884-858.0	Spare part set	1.000	ST
5	6.303-329.0	Screw 5x60 - St. verz. bl.	3.000	ST
6	7.343-018.0	Locking ring 18x1,2-Rf-St DIN 471	1.000	ST
7	4.363-693.0	O-Ring seal kpl. -nur fuer Ersatz-	1.000	ST
9	5.427-328.0	Manifold	1.000	ST
10	4.037-013.0	Hook	3.000	ST
11	4.421-911.0	Pipelines complete	1.000	ST
12	4.363-691.0	O-Ring seal kpl. -nur fuer Ersatz-	2.000	ST
13	5.411-161.0	CLOSING SCREW M10X1	2.000	ST
14	6.362-703.0	O-Ring seal 6,0x1,5-NBR 70	2.000	ST
15	5.427-326.0	Manifold	1.000	ST
16	5.107-263.0	Bar VA	1.000	ST



2 Spare part set (2.884-857.0)

POS	Article no.	Description	Quantity	Unit
3	7.303-048.0	Screw M6x20 -St-R3R (In6Rd)	2.000	ST

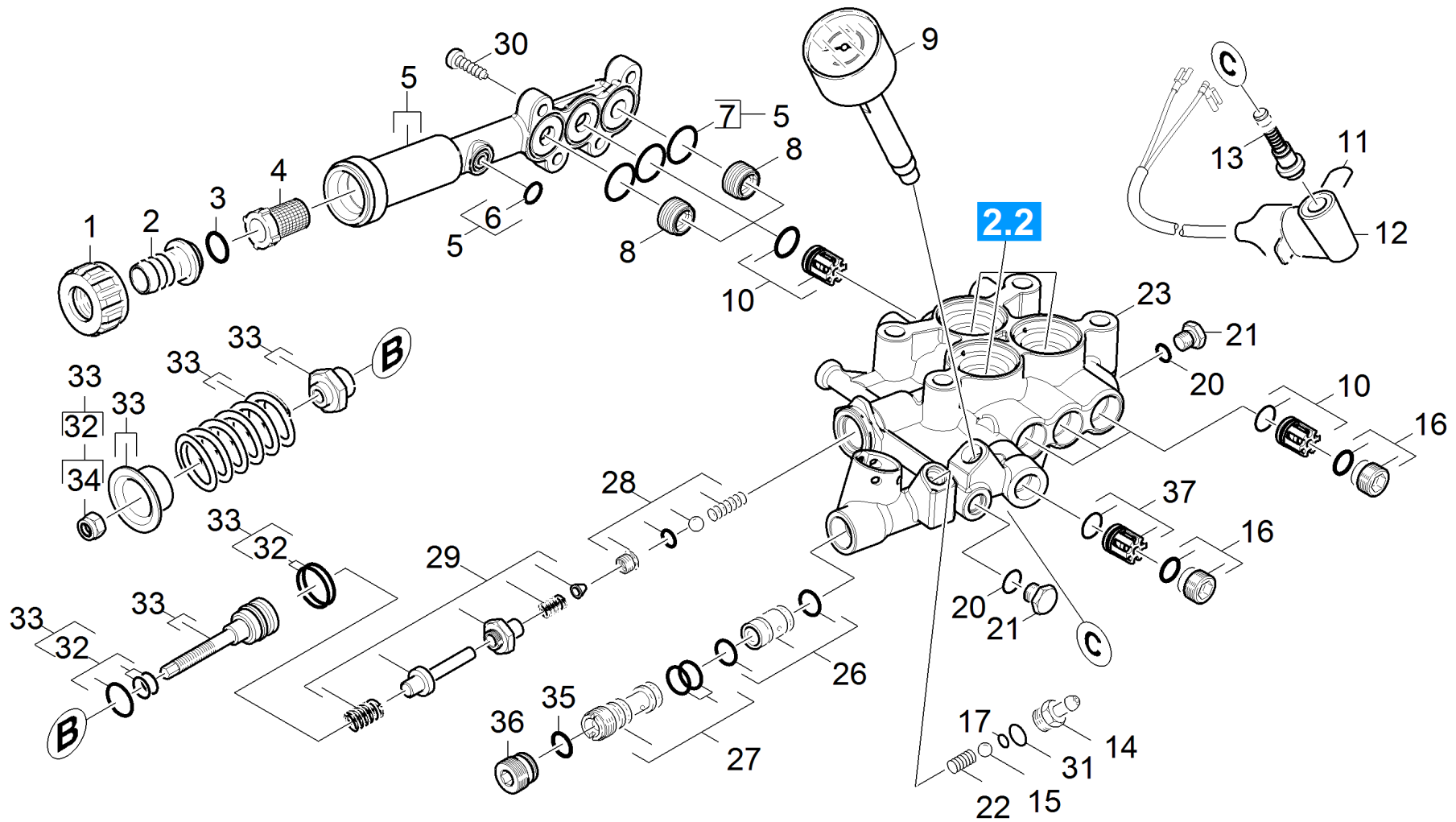


4 Spare part set (2.884-858.0)

POS	Article no.	Description	Quantity	Unit
3	6.303-329.0	Screw 5x60 - St. verz. bl.	3.000	ST

20 Pump set

POS	Description	Quantity	Unit
21	Cylinder head	1.000	ST
22	Thrust guidance	1.000	ST



21 Cylinder head

POS	Article no.	Description	Quantity	Unit
1	5.310-076.0	Nut	1.000	ST
2	5.443-291.0	Hose stem	1.000	ST
3	6.362-161.0	O-Ring seal 19,3 X 2,4	1.000	ST
4	6.414-141.0	Strainer	1.000	ST
5	4.064-005.0	Suction cover complete	1.000	ST
6	6.362-388.0	O-Ring seal 8,0x1,5 -EPDM 70	1.000	ST
7	6.363-536.0	O-Ring seal 21x1,5	3.000	ST
8	5.583-177.0	Valve screw M20x1	2.000	ST
9	4.423-024.0	Pressure gauge complete	1.000	ST
10	2.884-512.0	Valve (3 Stueck)	2.000	ST
11	5.034-494.0	Retaining bracket	1.000	ST
12	4.744-168.0	Switch complete	1.000	ST
13	2.883-988.0	SPARE PARTS SET	1.000	ST
14	5.443-624.0	Nipple	1.000	ST
15	7.401-908.0	Sphere 7 G300 -1.4301 DIN 5401	1.000	ST
16	4.483-001.0	Valve screw	4.000	ST
17	6.363-597.0	O-Ring seal 5,28 x 1,78	1.000	ST
18	6.362-528.0	O-Ring seal 9,5 X 2,0	1.000	ST
19	5.411-168.0	Valve screw M16x1	1.000	ST
20	6.362-690.0	O-Ring seal 7x2 - NBR 70	2.000	ST
21	5.411-070.0	Screw plug	2.000	ST
22	5.332-258.0	Helical spring	1.000	ST
23	4.550-708.0	Cylinder head complete	1.000	ST
24	6.363-613.0	O-Ring seal 4 x 2 -NBR90	1.000	ST
25	4.584-022.0	Valve pin complete	1.000	ST
26	2.884-852.0	Spare part set nozzle insert	1.000	ST
27	4.769-052.0	Nozzle insert complete	1.000	ST
28	4.481-237.0	Valve seat complete only for replacement	1.000	ST
29	2.884-856.0	Spare part set excess-current	1.000	ST
30	7.306-118.0	Screw M 6x35 -8.8-R3R (In6Rd)	4.000	ST
31	6.362-690.0	O-Ring seal 7x2 - NBR 70	1.000	ST
32	2.884-551.0	Spare part set	1.000	ST
33	4.591-054.0	Set excess-current	1.000	ST

21 Cylinder head

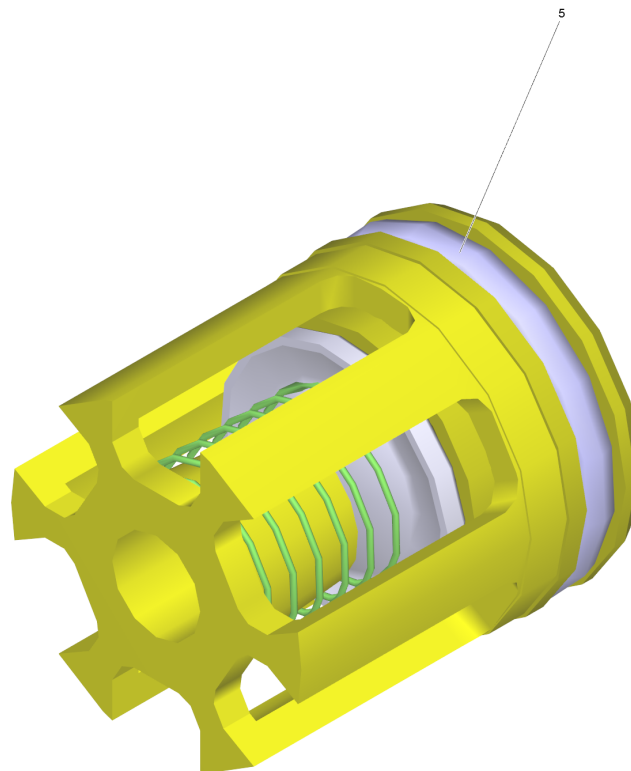
POS	Article no.	Description	Quantity	Unit
34	7.311-510.0	Hexagon nut M 8-8-A2E ISO 7040	1.000	ST
35	6.362-480.0	O-Ring seal 12,42x 1,78	1.000	ST
36	5.411-171.0	Screw plug	1.000	ST
37	4.580-594.0	Valve complete	1.000	ST
100	2.884-347.0	Pump set HD 6/16 M	1.000	ST

5 Suction cover complete (4.064-005.0)

POS	Article no.	Description	Quantity	Unit
2	6.363-536.0	O-Ring seal 21x1,5	3.000	ST
3	6.362-388.0	O-Ring seal 8,0x1,5 -EPDM 70	1.000	ST
4	6.590-002.0	Bag PE 150x230 mm	1.000	ST
5	6.376-036.0	Label spare parts neutrally 65x55 MM	1.000	ZST

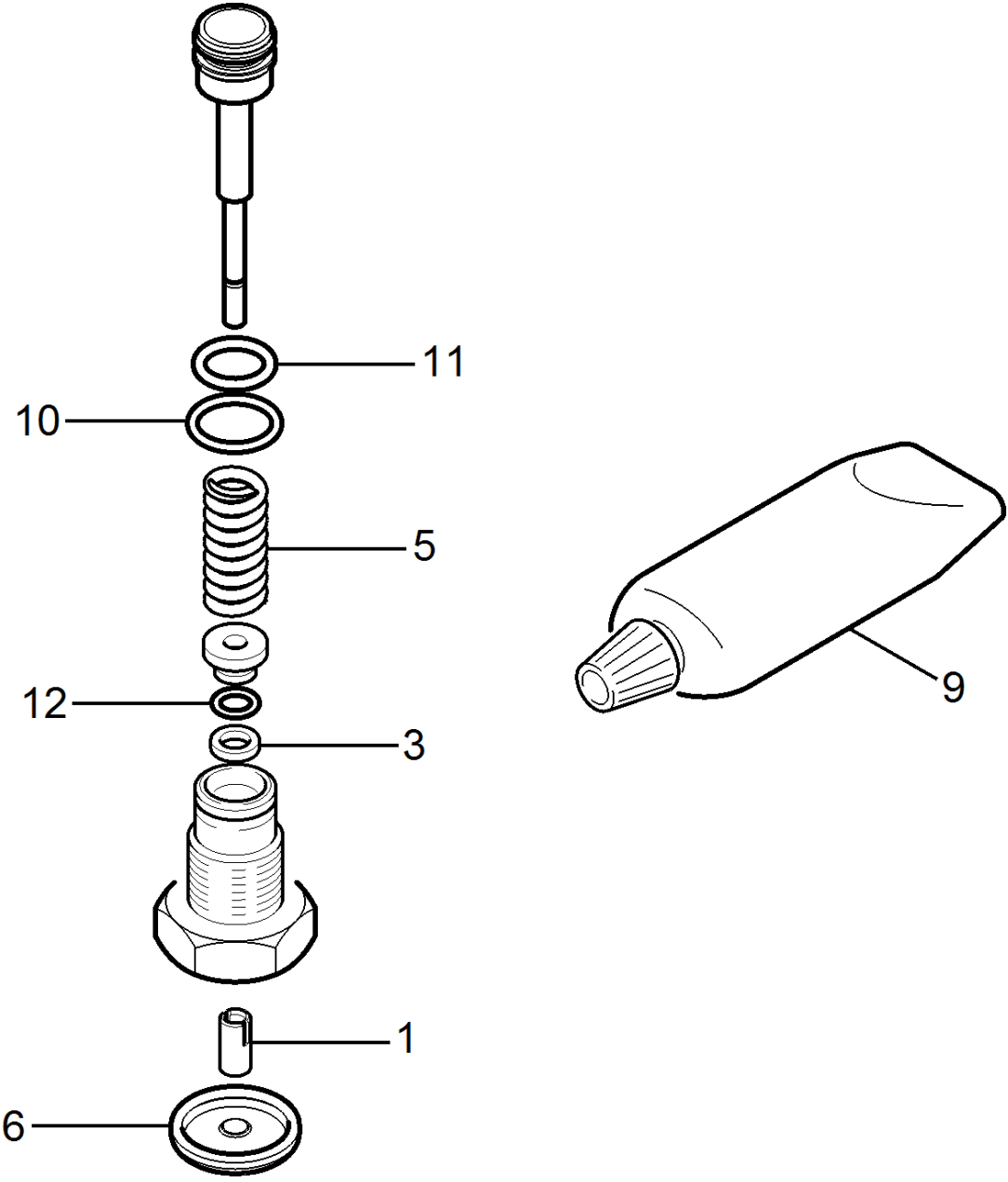
9 Pressure gauge complete (4.423-024.0)

POS	Article no.	Description	Quantity	Unit
3	6.376-036.0	Label spare parts neutrally 65x55 MM	2.000	ZST



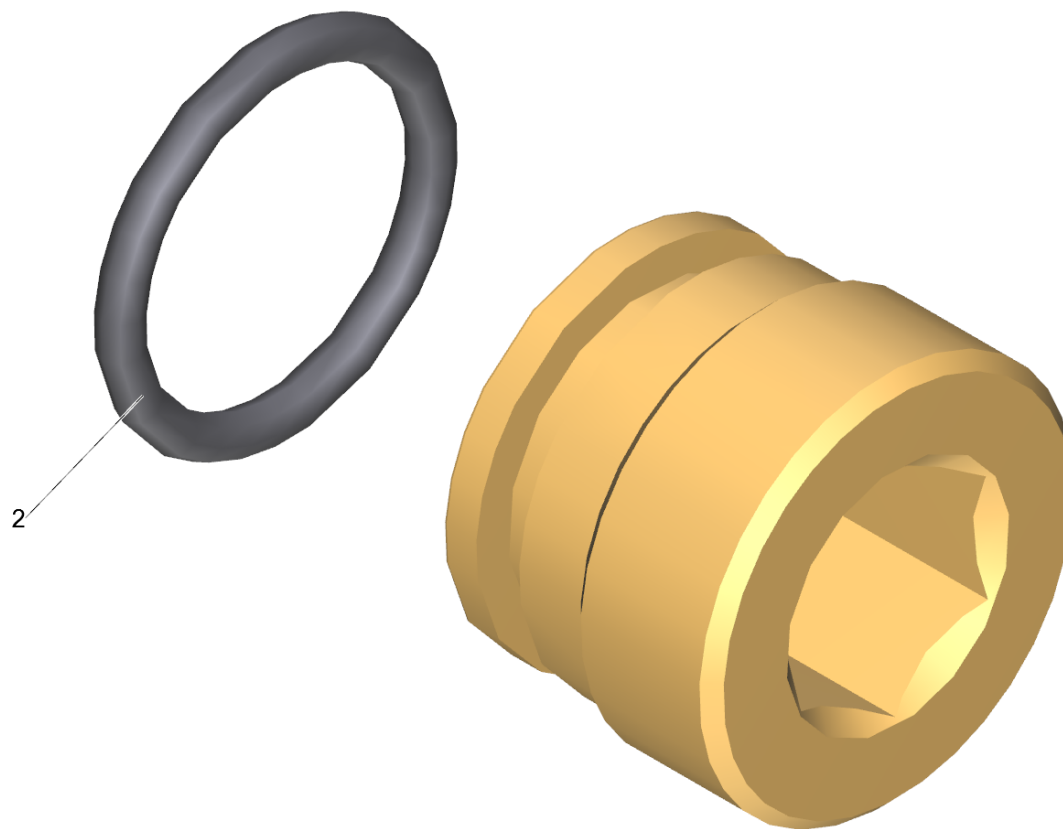
10 Valve (3 Stueck) (2.884-512.0)

POS	Article no.	Description	Quantity	Unit
5	6.363-003.0	O-Ring seal 13,0 X 2,0-NBR 90	1.000	ST



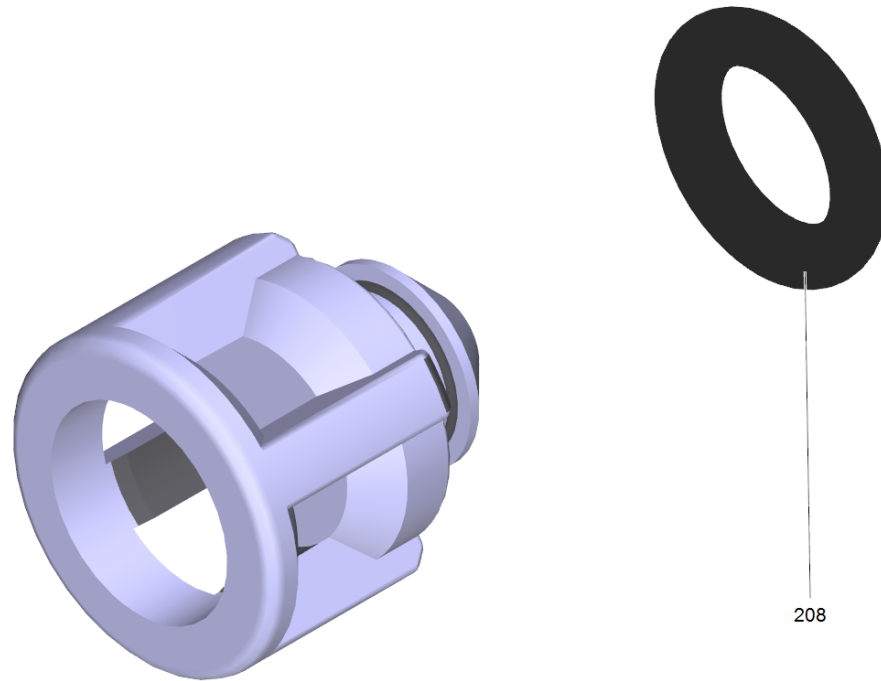
13 SPARE PARTS SET (2.883-988.0)

POS	Article no.	Description	Quantity	Unit
1	5.110-947.0	Sleeve	1.000	ST
3	5.114-513.0	Supportring	1.000	ST
5	5.332-511.0	Helical spring	1.000	ST
6	5.367-030.0	Diaphragm	1.000	ST
9	6.288-044.0	Silicon grease 100 G	1.000	ST
10	6.363-615.0	O-Ring seal 11 x 1,5 -NBR70	1.000	ST
11	6.363-611.0	O-Ring seal 8,73 x 1,78 -NBR	1.000	ST
12	6.363-241.0	O-Ring seal 2,90x1,78	1.000	ST



16 Valve screw (4.483-001.0)

POS	Article no.	Description	Quantity	Unit
2	6.362-481.0	O-Ring seal 14,0 x 2,0 NBR 80	1.000	ST



25 Valve pin complete (4.584-022.0)

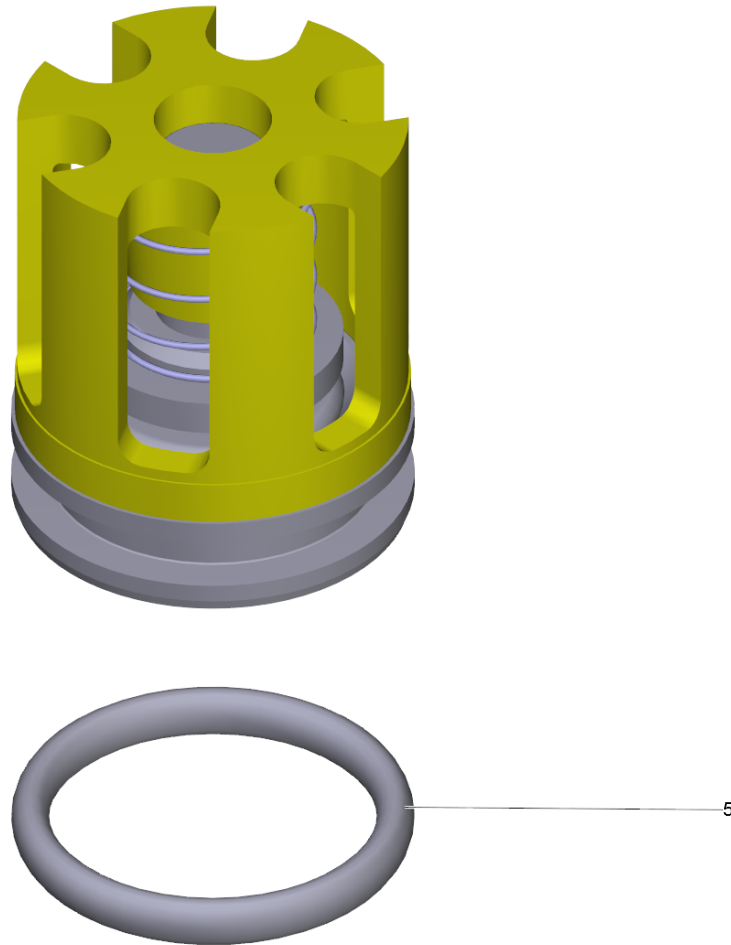
POS	Article no.	Description	Quantity	Unit
208	6.363-613.0	O-Ring seal 4 x 2 -NBR90	1.000	ST

27 Nozzle insert complete (4.769-052.0)

POS	Article no.	Description	Quantity	Unit
1	5.769-087.0	Nozzle insert black PVDF	1.000	ST
2	6.363-331.0	O-Ring seal 9,0 x 1,5	2.000	ST
3	6.590-004.0	Bag PE 80x100 mm	1.000	ST
4	6.376-036.0	Label spare parts neutrally 65x55 MM	1.000	ZST

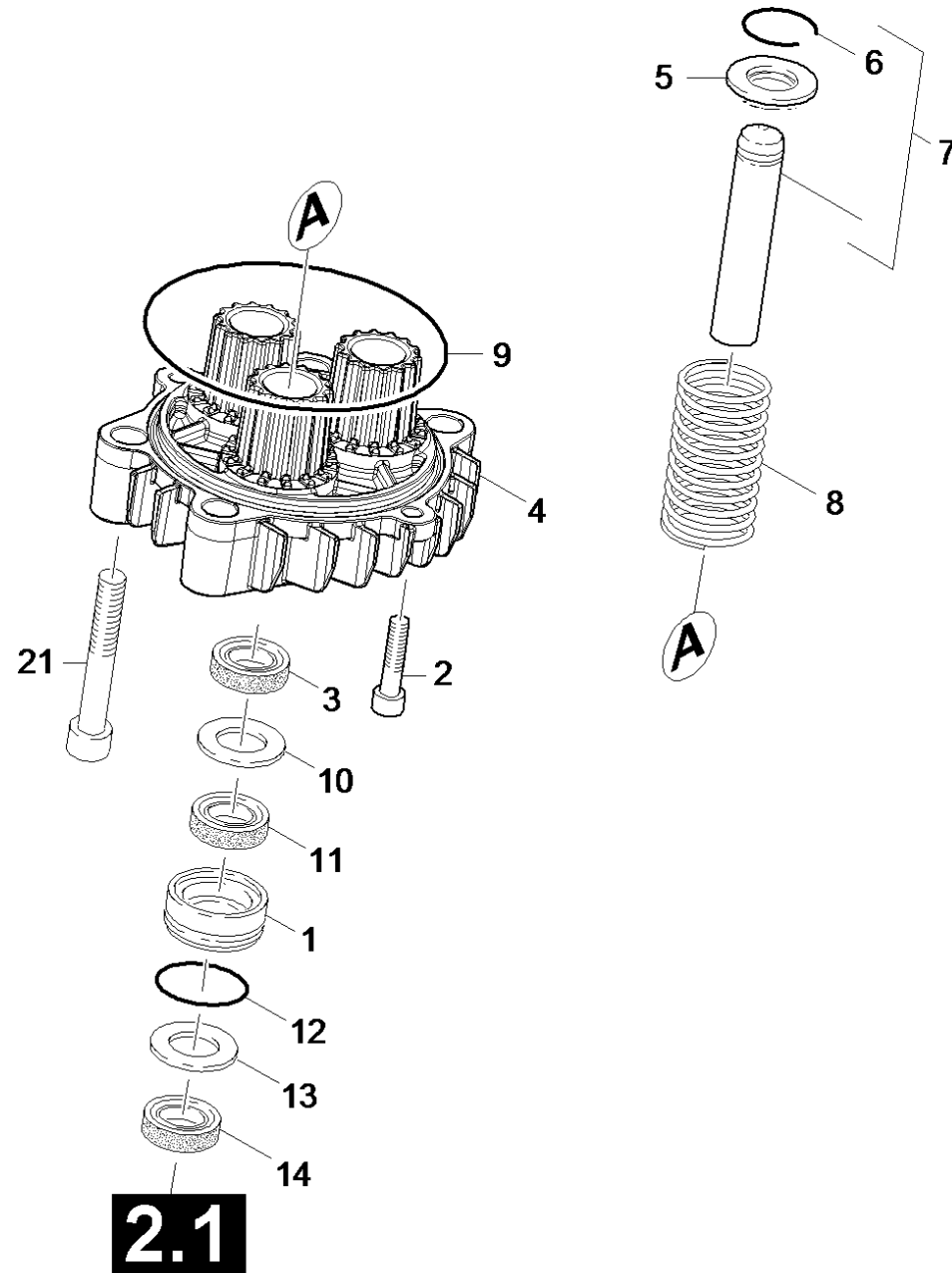
32 Spare part set (2.884-551.0)

POS	Article no.	Description	Quantity	Unit
44	6.362-365.0	O-Ring seal complete 1ST.-R.- 7,65X 1,7	1.000	ST
46	6.362-445.0	O-Ring seal 16,0 X 2,4-NBR 80	1.000	ST
47	6.362-575.0	O-Ring seal 12,42 KOMPL	1.000	ST
71	7.311-510.0	Hexagon nut M 8-8-A2E ISO 7040	1.000	ST
101	6.376-036.0	Label spare parts neutrally 65x55 MM	2.000	ZST



37 Valve complete (4.580-594.0)

POS	Article no.	Description	Quantity	Unit
5	6.362-381.0	O-Ring seal 13x2 - NBR 70	1.000	ST



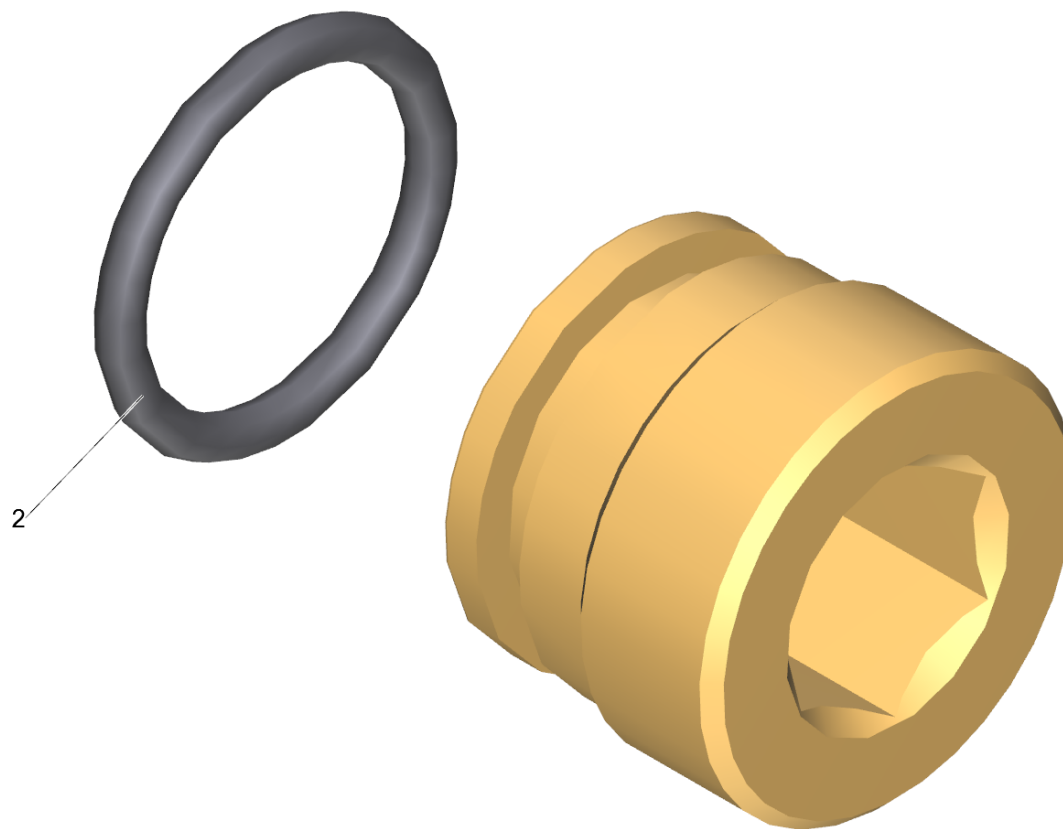
2.1

22 Thrust guidance

POS	Article no.	Description	Quantity	Unit
1	5.112-402.3	Bush	3.000	ST
2	7.306-094.0	Screw M6x25 -8.8-R3R (In6Rd)	2.000	ST
3	6.365-322.0	Grooved ring 16X24X7	3.000	ST
4	5.061-083.3	Housing	1.000	ST
5	5.116-150.0	Washer D16	3.000	ST
6	7.343-478.0	Snap ring 16 -FST DIN 9925	3.000	ST
7	4.553-244.0	Piston complete	3.000	ST
8	5.332-552.0	Helical spring	3.000	ST
9	6.362-102.0	O-Ring seal 90,0 X 3,0	1.000	ST
	Item text1: 1.524-125.0/-127.0/-904/-906.0			
9	6.362-963.0	O-Ring seal 88,57X 2,62	1.000	ST
	Item text1: 1.524-120.0/-123.0/-124/-126.0/-128.0/			
	Item text2: -900.0/-902.0/-903.0/-907.0			
10	5.115-493.0	Washer	3.000	ST
11	6.365-351.0	Compact seal 16 x 24 x 4	3.000	ST
12	6.362-398.0	O-Ring seal 27,5 X 1,5-NBR 70	3.000	ST
13	5.115-492.0	Washer	3.000	ST
14	6.365-408.0	Grooved ring 16x24x5.3	3.000	ST
100	2.885-019.0	Pump set for piston HD 9/19M	1.000	ST

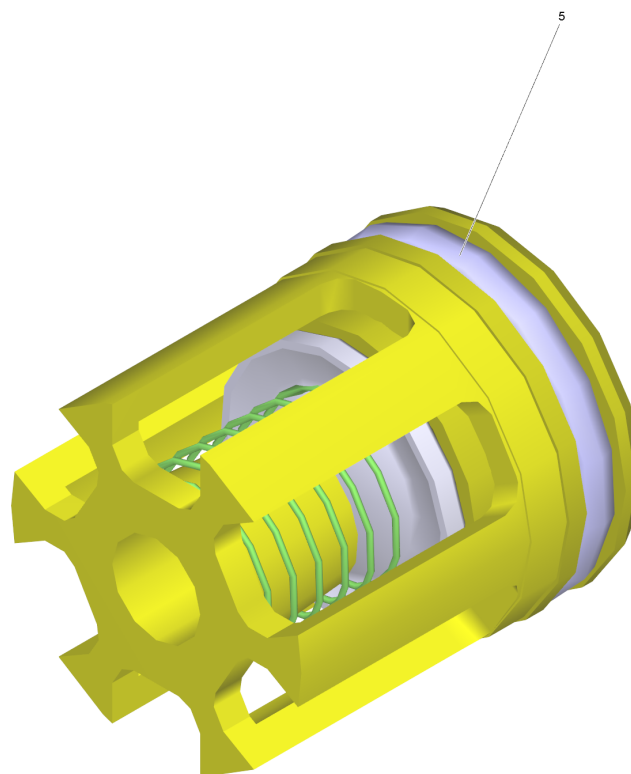
100 Pump set for piston HD 9/19M (2.885-019.0)

POS	Article no.	Description	Quantity	Unit
1	6.365-351.0	Compact seal 16 x 24 x 4	3.000	ST
2	5.115-493.0	Washer	3.000	ST
3	5.115-492.0	Washer	3.000	ST
4	6.362-388.0	O-Ring seal 8,0x1,5 -EPDM 70	1.000	ST
5	6.365-322.0	Grooved ring 16X24X7	3.000	ST
6	6.365-408.0	Grooved ring 16x24x5.3	3.000	ST
7	4.483-001.0	Valve screw	4.000	ST
8	6.362-547.0	O-Ring seal 20,0x1,5-NBR 70	3.000	ST
9	5.112-402.3	Bush	3.000	ST
10	2.884-512.0	Valve (3 Stueck)	2.000	ST



7 Valve screw (4.483-001.0)

POS	Article no.	Description	Quantity	Unit
2	6.362-481.0	O-Ring seal 14,0 x 2,0 NBR 80	1.000	ST

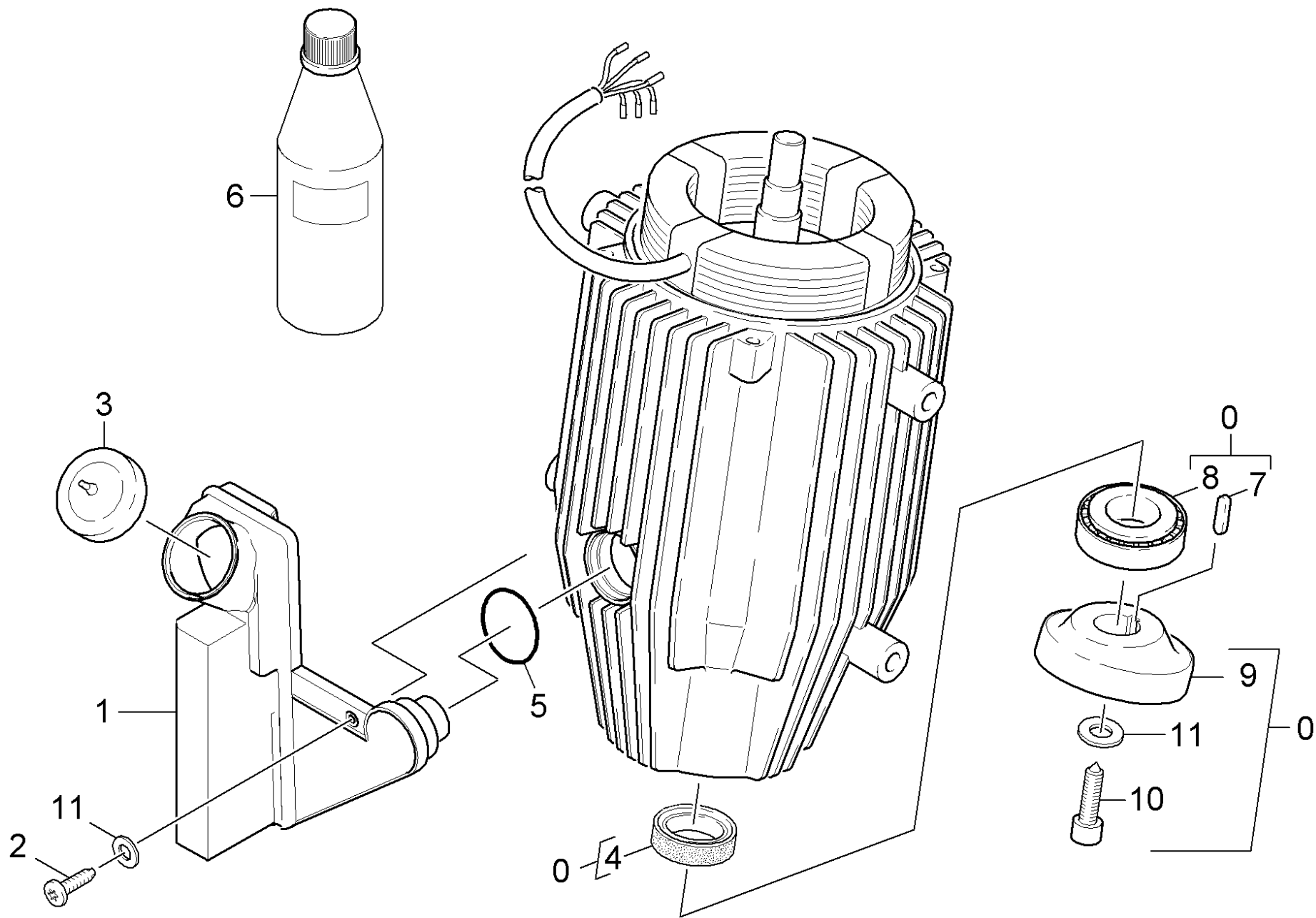


10 Valve (3 Stueck) (2.884-512.0)

POS	Article no.	Description	Quantity	Unit
5	6.363-003.0	O-Ring seal 13,0 X 2,0-NBR 90	1.000	ST

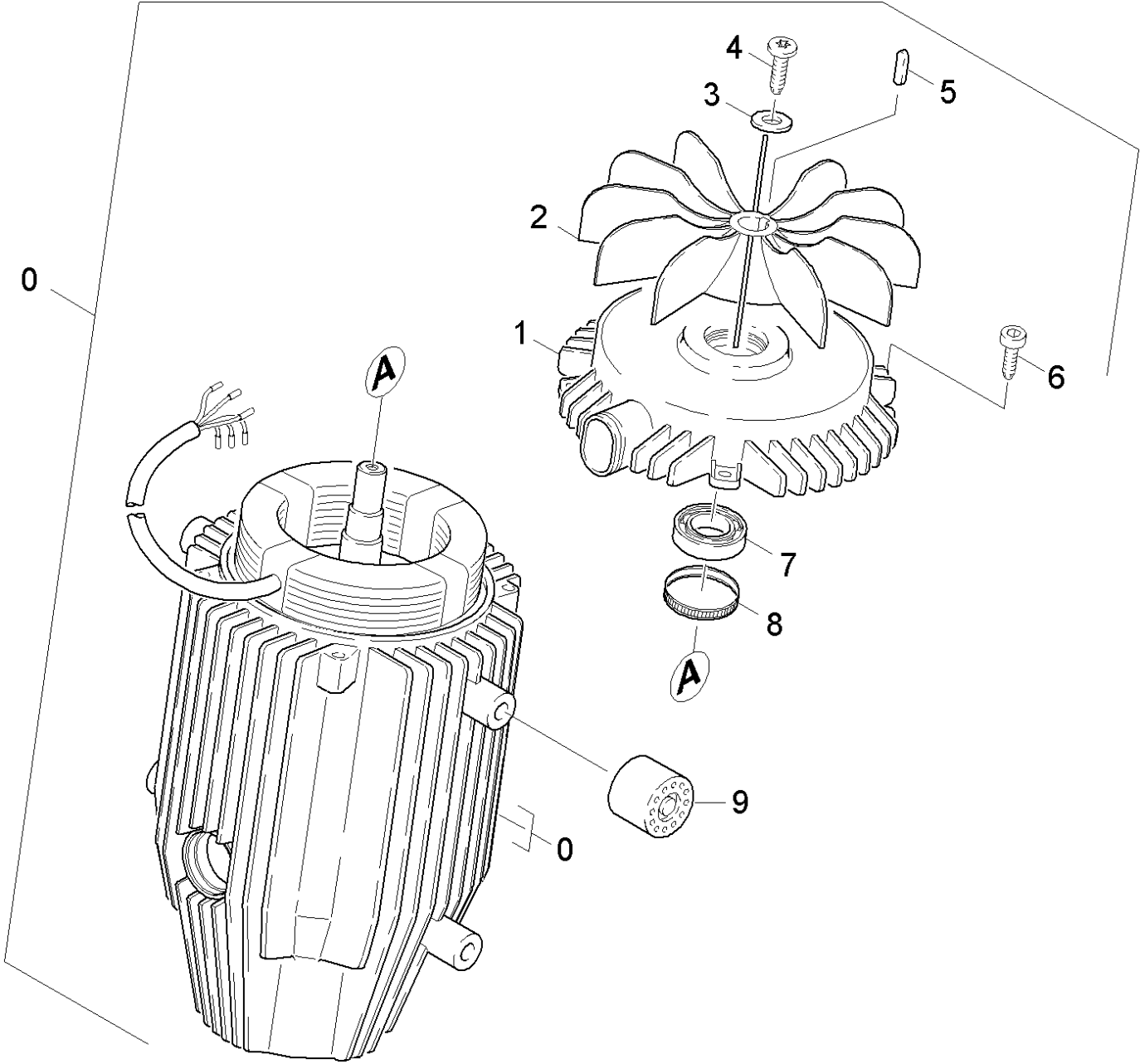
30 Motor

POS	Description	Quantity	Unit
31	Transmission	1.000	ST
32	Ventilation	1.000	ST



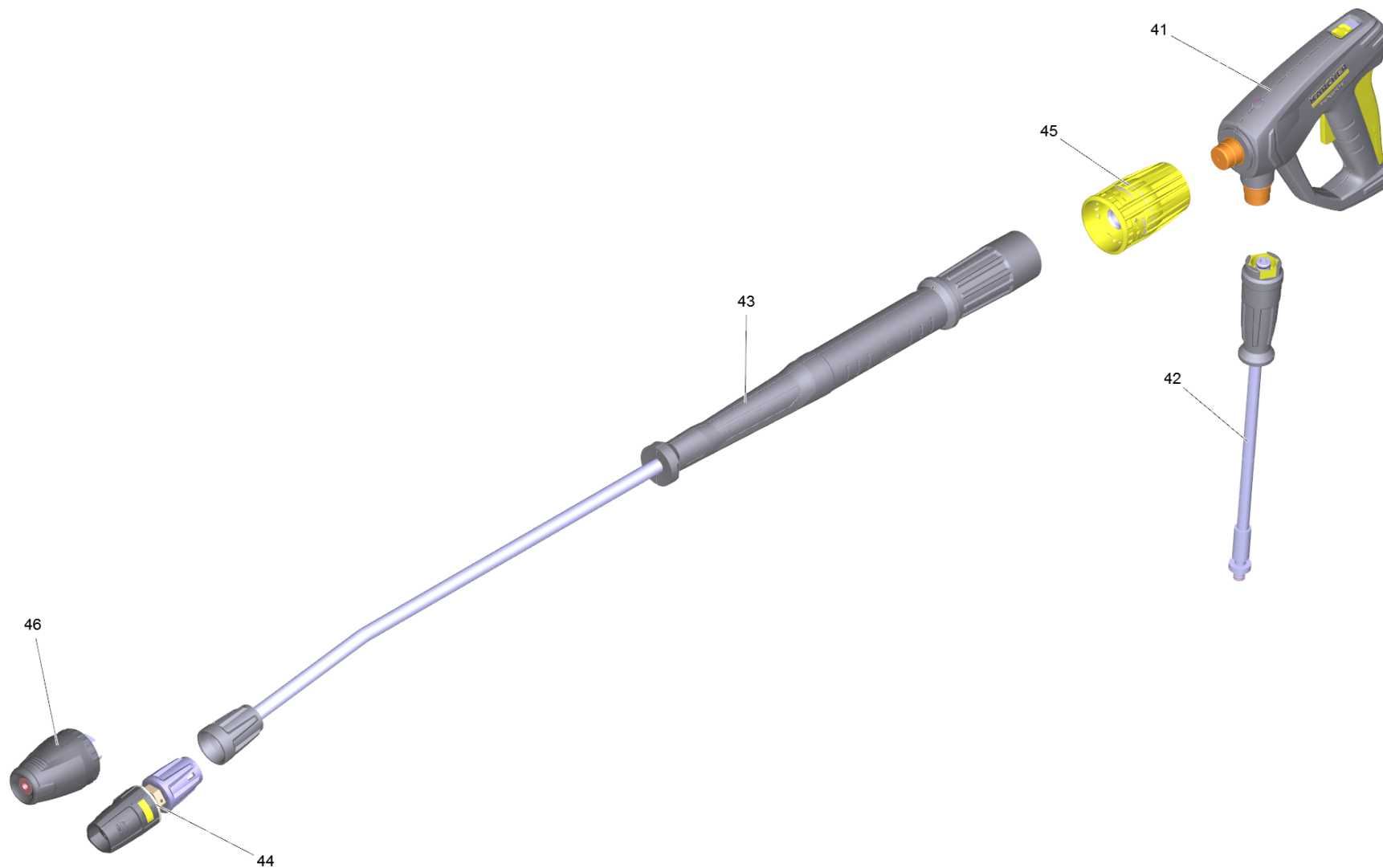
31 Transmission

POS	Article no.	Description	Quantity	Unit
0	4.623-784.0	Motor complete	1.000	ST
1	5.070-658.0	Tank oil	1.000	ST
2	6.303-320.0	Screw M 5x 20-St-R2R	1.000	ST
3	5.064-454.0	Cover qusty grey	1.000	ST
4	7.367-156.0	Radial shaft seal ring A30x40x7-NBR DIN	1.000	ST
5	6.362-722.0	O-Ring seal 28,0 X 3,0	1.000	ST
6	6.288-219.0	Engine oil 1 L	1.000	ST
7	7.318-070.0	Parallel key 5x5x20-C45K DIN 6885-1	1.000	ST
8	6.401-399.0	Taper roller bearing	1.000	ST
9	4.120-214.0	Wobble plate	1.000	ST
10	7.306-092.0	Screw M6x20-ST- 8.8-R3R (IN6RD)	1.000	ST
11	7.312-260.0	Washer 6 -100HV-A3E ISO 7094	2.000	ST



32 Ventilation

POS	Article no.	Description	Quantity	Unit
0	4.623-784.0	Motor complete	1.000	ST
1	5.063-707.0	Bearing cover B	1.000	ST
2	5.600-046.0	Blower wheel	1.000	ST
3	7.312-260.0	Washer 6 -100HV-A3E ISO 7094	1.000	ST
4	7.306-092.0	Screw M6x20-ST- 8.8-R3R (IN6RD)	1.000	ST
5	7.318-079.0	Parallel key A 5x5x25-C45K DIN 6885	1.000	ST
6	6.303-265.0	Self-tapping screw M6x20	1.000	ST
7	6.401-285.0	Ball bearing 6204 2RS	1.000	ST
8	6.343-171.0	Tolerance ring	1.000	ST
9	5.767-005.0	Rubber buffer	4.000	ST

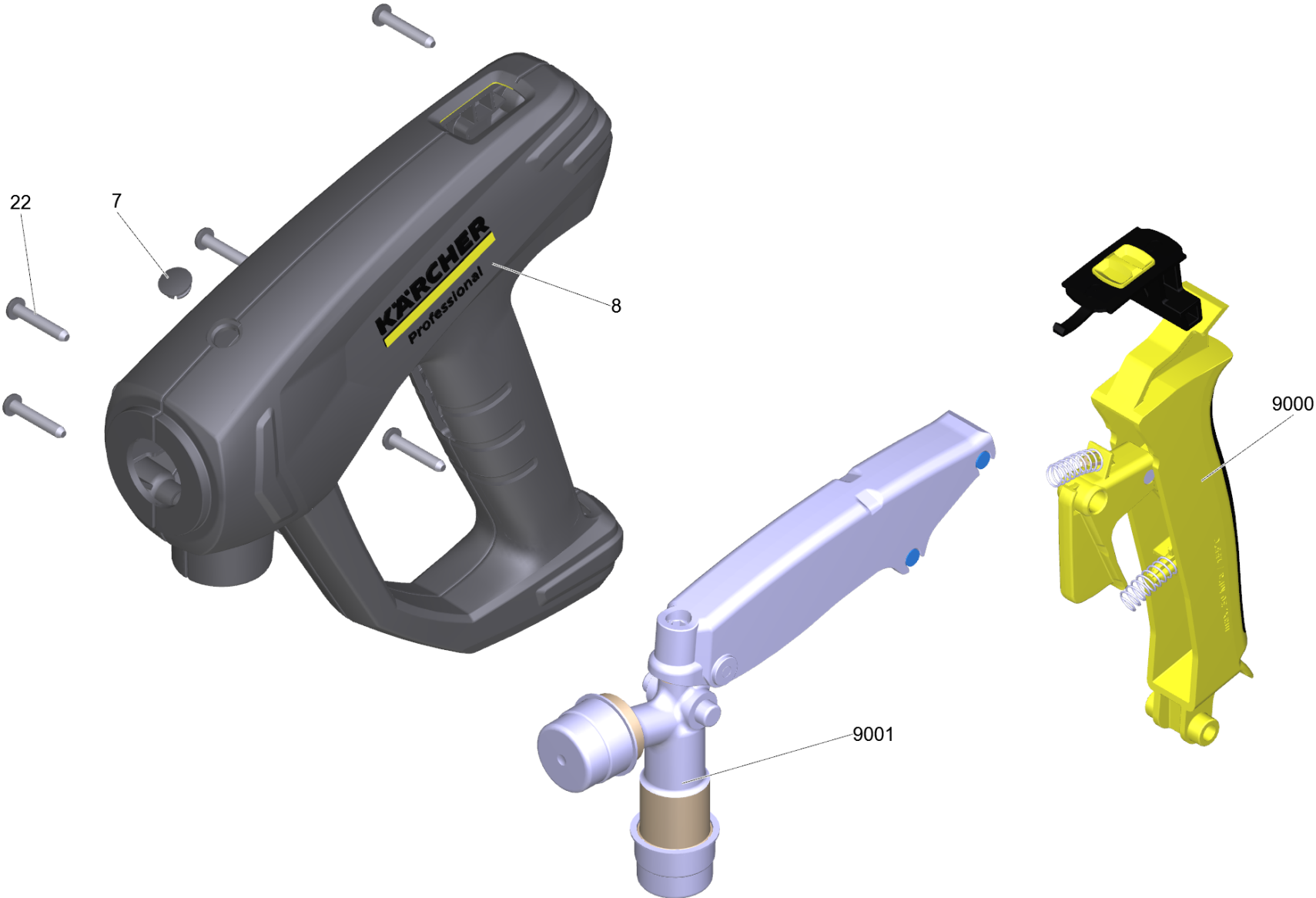


40 Accessories

POS	Article no.	Description	Quantity	Unit
41	4.118-005.0	EASY!Force Advanced	1.000	ST
42	6.110-037.0	Hose assembly TR rotatable DN6 25MPa 15m	1.000	ST
43	4.112-000.0	Jet pipe TR 1050 mm	1.000	ST
44	4.117-032.0	Triple jet nozzle TR 038	1.000	ST
45	4.118-007.0	Rotary controller TR 270L	1.000	ST
46	4.114-041.0	Dirt blaster TR 040 Prof.	1.000	ST

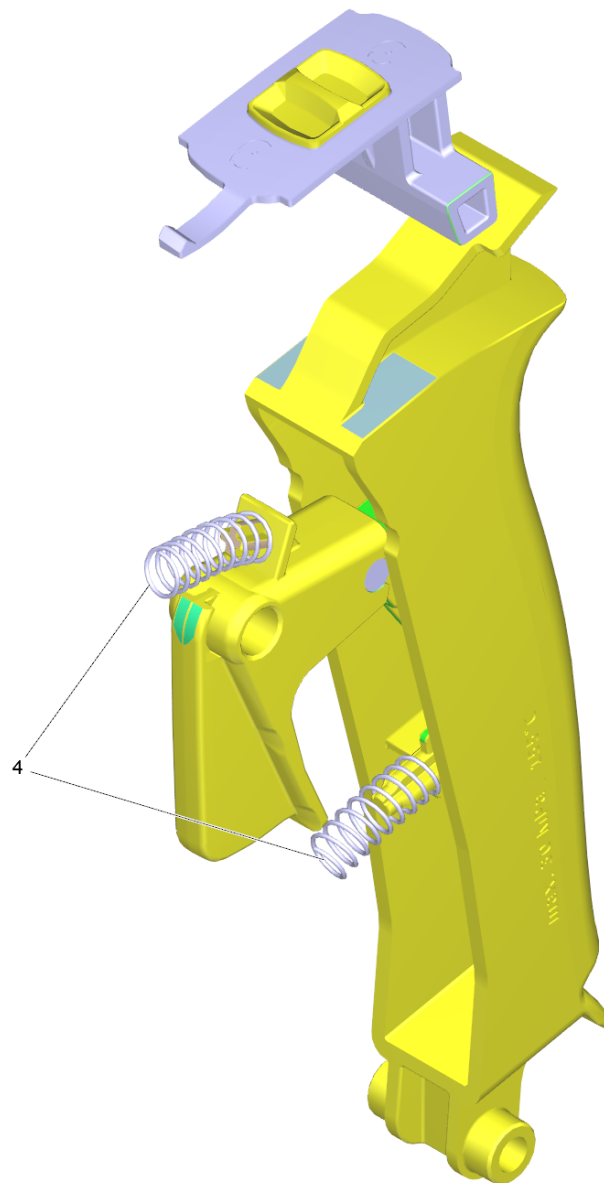
41 EASY!Force Advanced (4.118-005.0)

POS	Description	Quantity	Unit
1	Hand trigger gun TR EH 155	1.000	ST



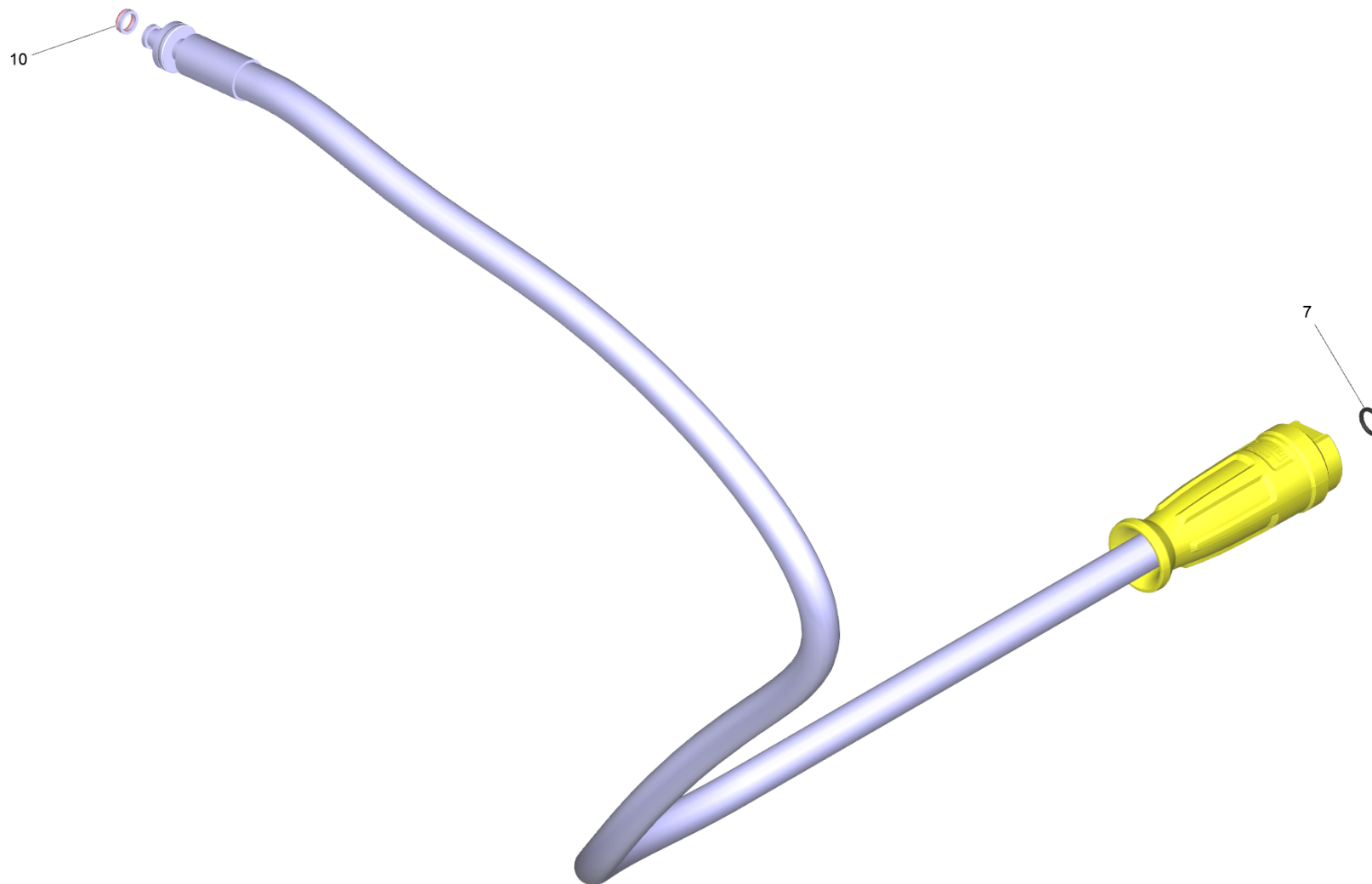
1 Hand trigger gun TR EH 155

POS	Article no.	Description	Quantity	Unit
7	5.132-001.0	Plug	1.000	ST
8	5.321-136.3	Handhold few EH 155 only for replacement	1.000	ST
22	7.303-096.0	Screw 4x22 -ST-10.9-R2R (IN6RD)	7.000	ST
9000	2.885-483.0	Spare part set lever	1.000	ST
9001	4.427-014.0	Manifold TR EH 155 nur fuer Ersatz	1.000	ST



9000 Spare part set lever (2.885-483.0)

POS	Article no.	Description	Quantity	Unit
4	5.332-032.0	Helical spring	2.000	ST

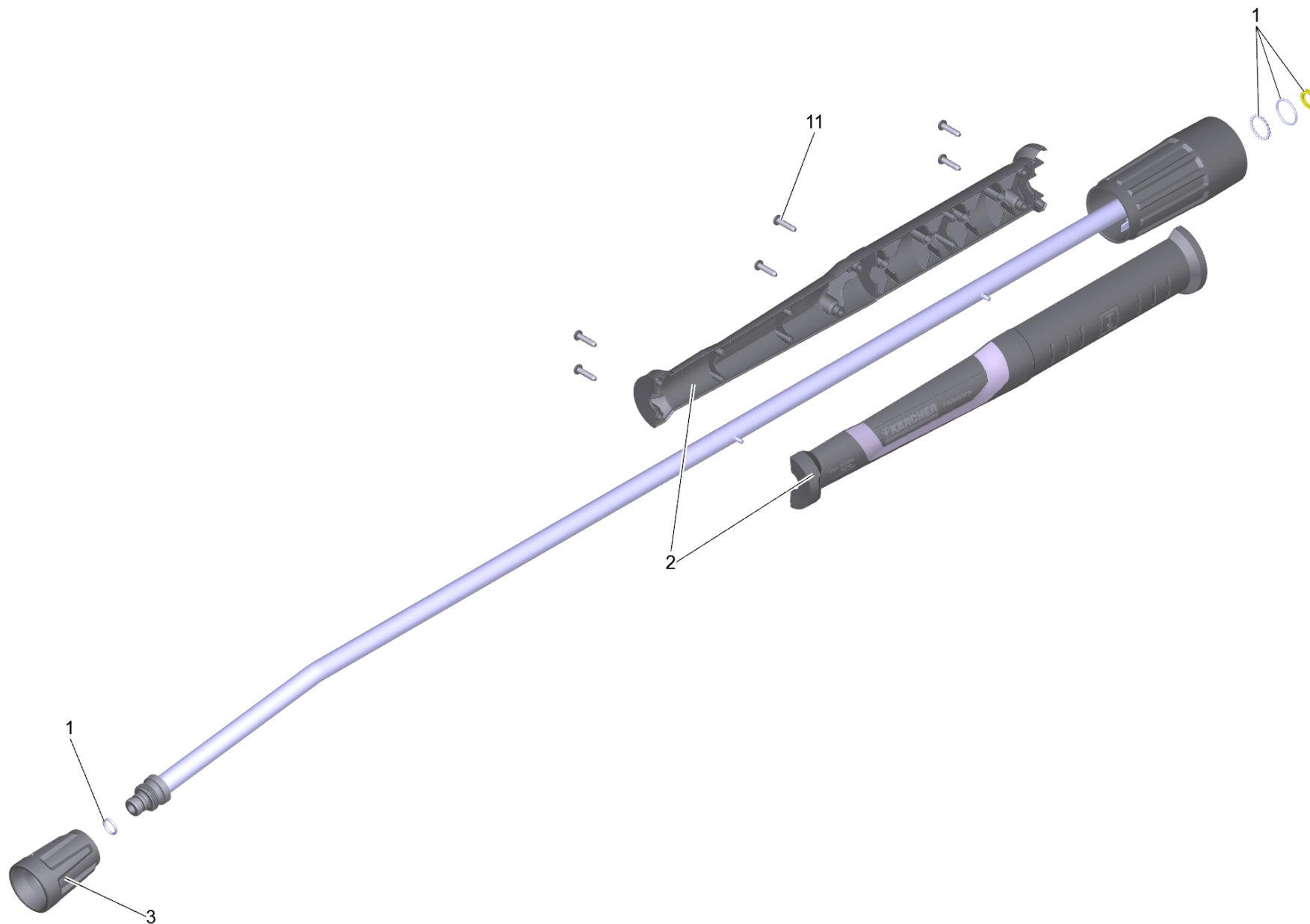


42 Hose assembly TR rotatable DN6 25MPa 15m (6.110-037.0)

POS	Article no.	Description	Quantity	Unit
7	2.880-154.0	O-Ring kit	1.000	ST
10	4.363-691.0	O-Ring seal kpl. -nur fuer Ersatz-	1.000	ST

43 Jet pipe TR 1050 mm (4.112-000.0)

POS	Description	Quantity	Unit
1	Jet pipe TR 1050 mm	1.000	ST

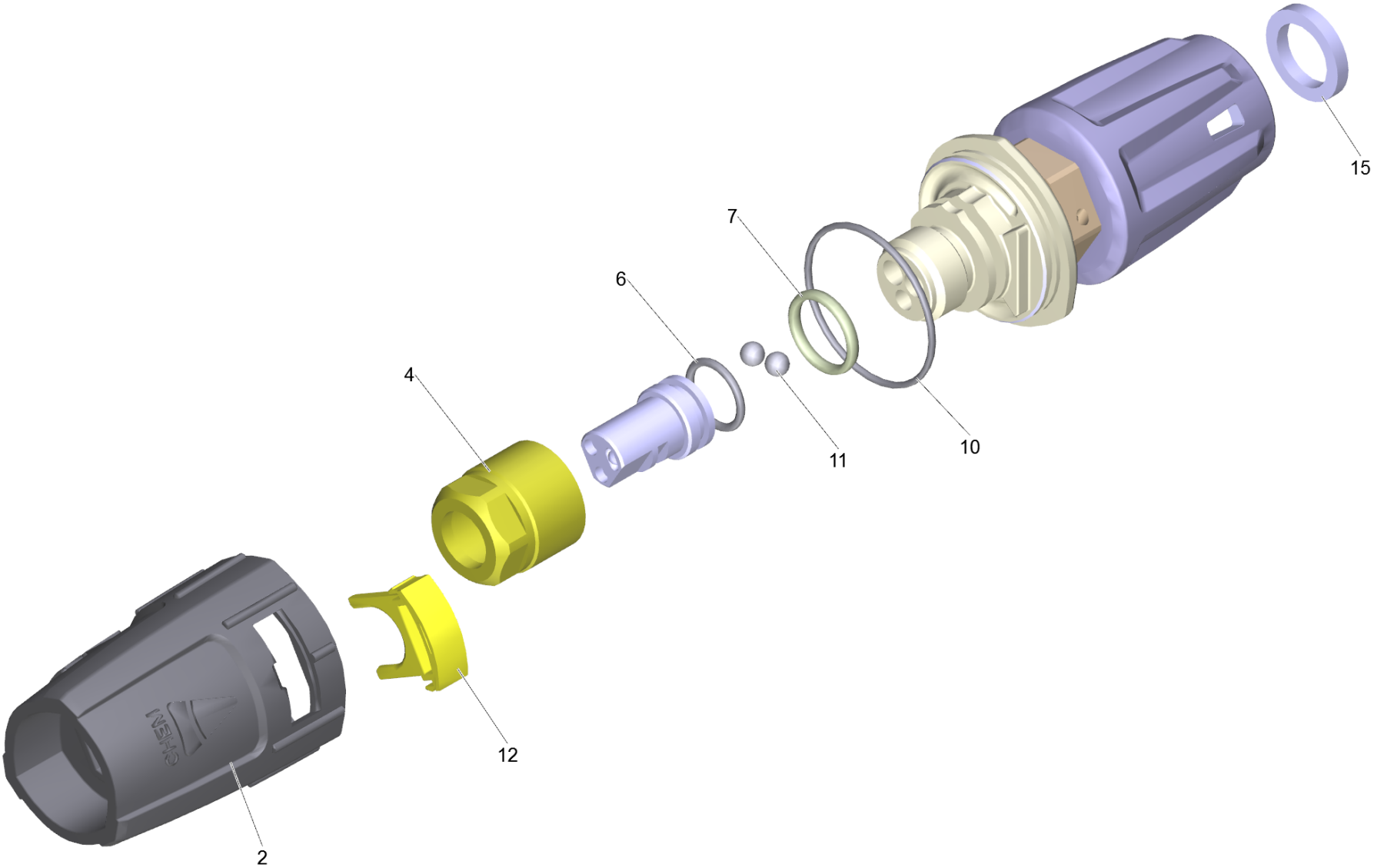


1 Jet pipe TR 1050 mm

POS	Article no.	Description	Quantity	Unit
1	4.100-688.0	Spare part set seal TR	1.000	ST
2	5.321-018.3	Handle bowl jet pipe only for replacemen	1.000	ST
3	4.112-011.0	Protection part TR only for replacement	1.000	ST
11	7.303-129.0	Screw 4x16 -10.9-R2R (K-In6Rd)	6.000	ST

44 Triple jet nozzle TR 038 (4.117-032.0)

POS	Description	Quantity	Unit
1	Triple jet nozzle TR 038	1.000	ST

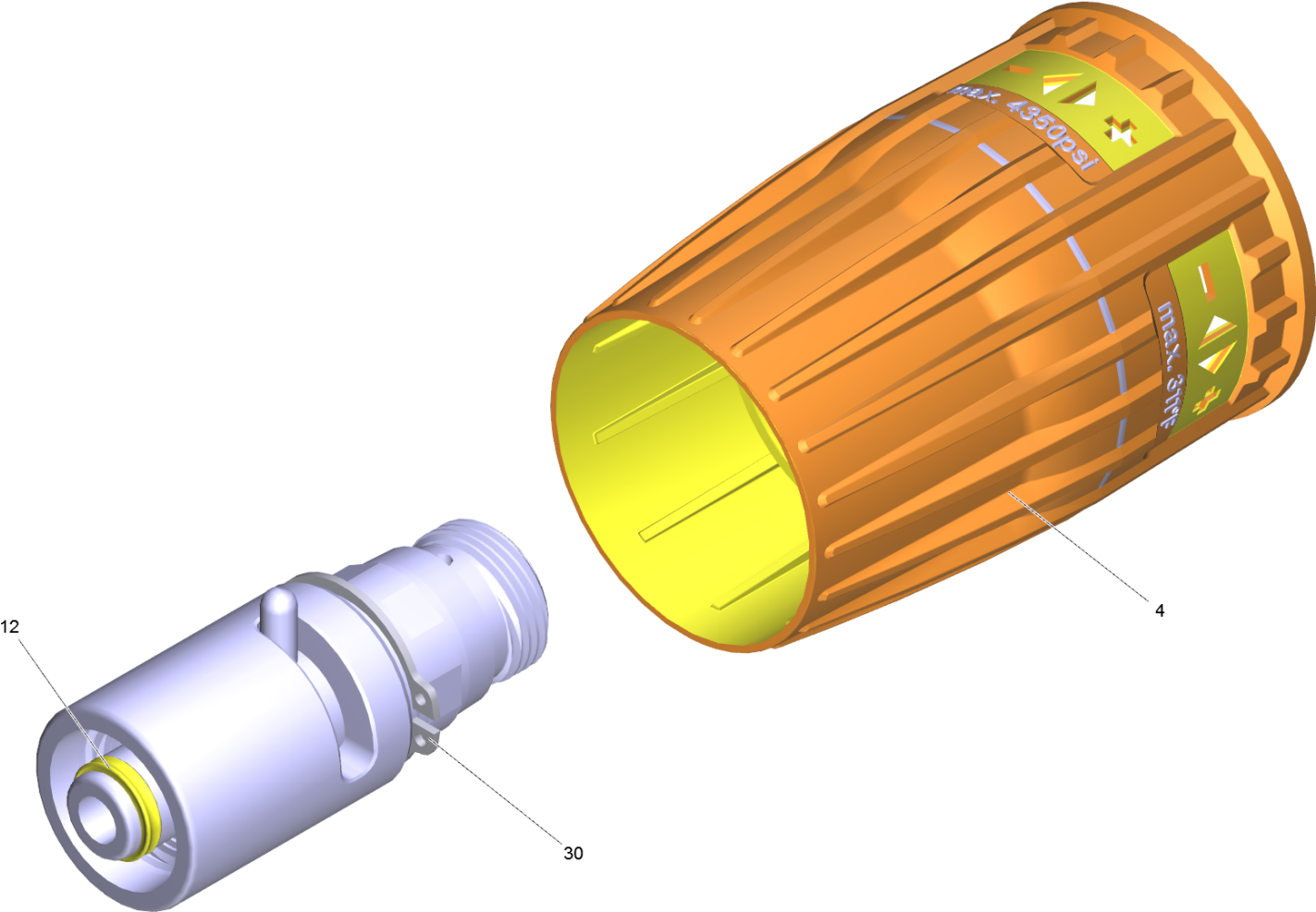


1 Triple jet nozzle TR 038

POS	Article no.	Description	Quantity	Unit
2	5.394-859.0	Protection part	1.000	ST
4	5.311-225.0	Nut	1.000	ST
6	6.362-480.0	O-Ring seal 12,42x 1,78	1.000	ST
7	6.362-460.0	O-Ring seal 14,0 X 2,5-NBR 70	1.000	ST
10	6.362-409.0	O-Ring seal 32,0 X 1,5	1.000	ST
11	7.401-902.0	Sphere 5 G20 -1.4034 DIN 5401	2.000	ST
12	5.321-884.0	Clamp	1.000	ST
15	6.363-696.0	Brake ring 14x20x3	1.000	ST

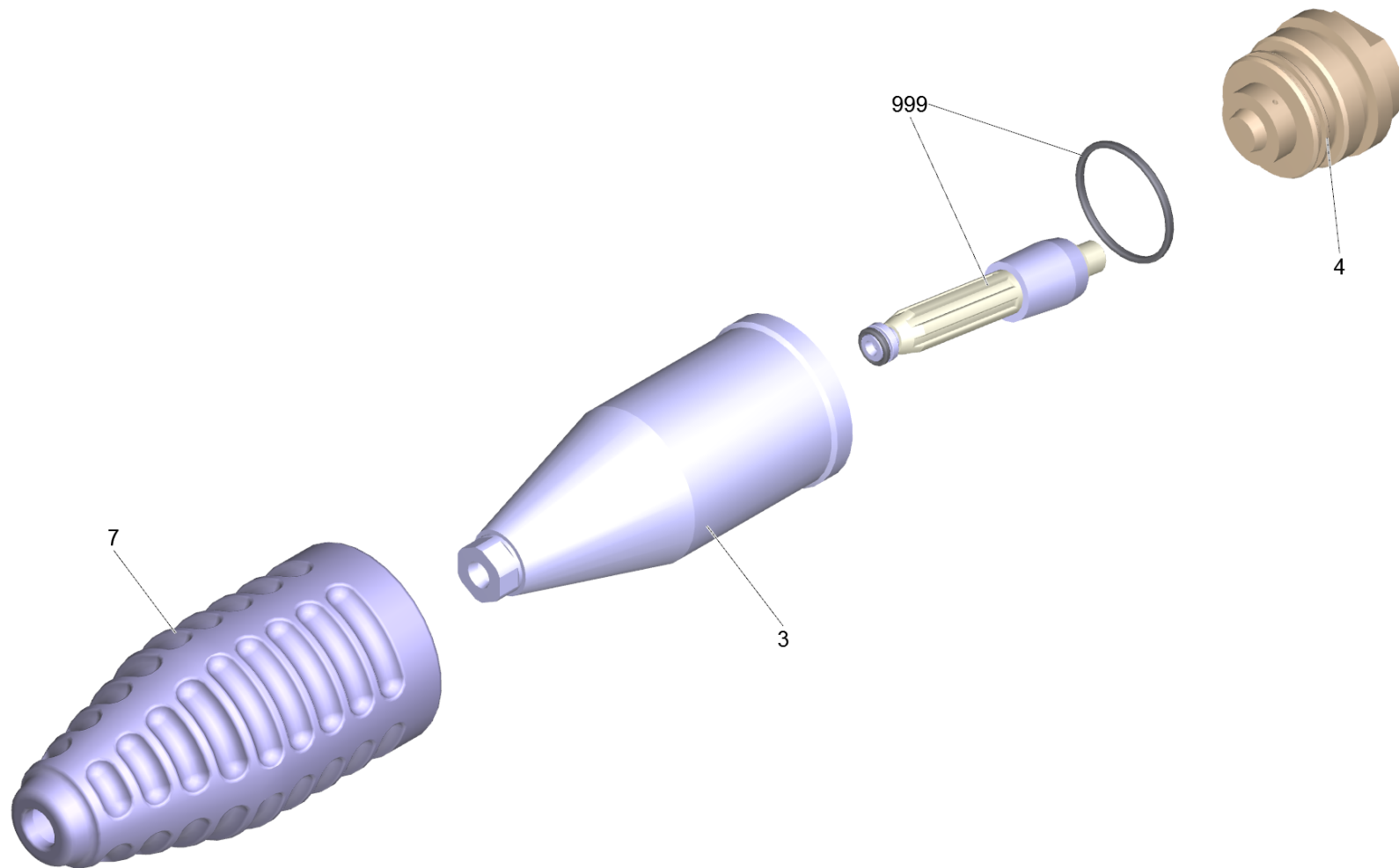
45 Rotary controller TR 270L (4.118-007.0)

POS	Description	Quantity	Unit
1	Rotary controller TR 270L	1.000	ST



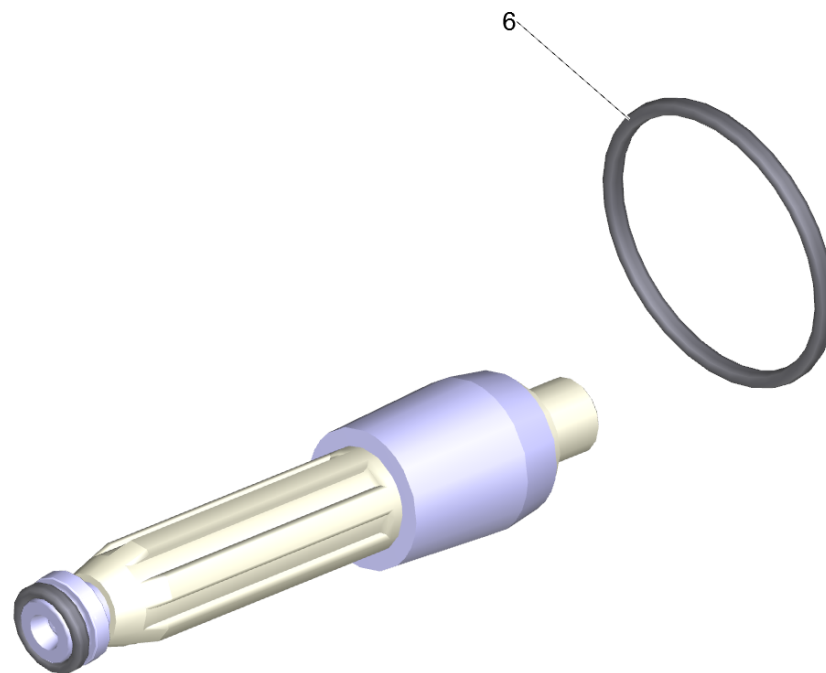
1 Rotary controller TR 270L

POS	Article no.	Description	Quantity	Unit
4	5.321-364.3	Handhold rotary controller	1.000	ST
12	2.880-001.0	Spare part set seals TR	1.000	ST
30	7.343-069.0	Locking ring 25x1,2-1.4122 DIN 471	1.000	ST



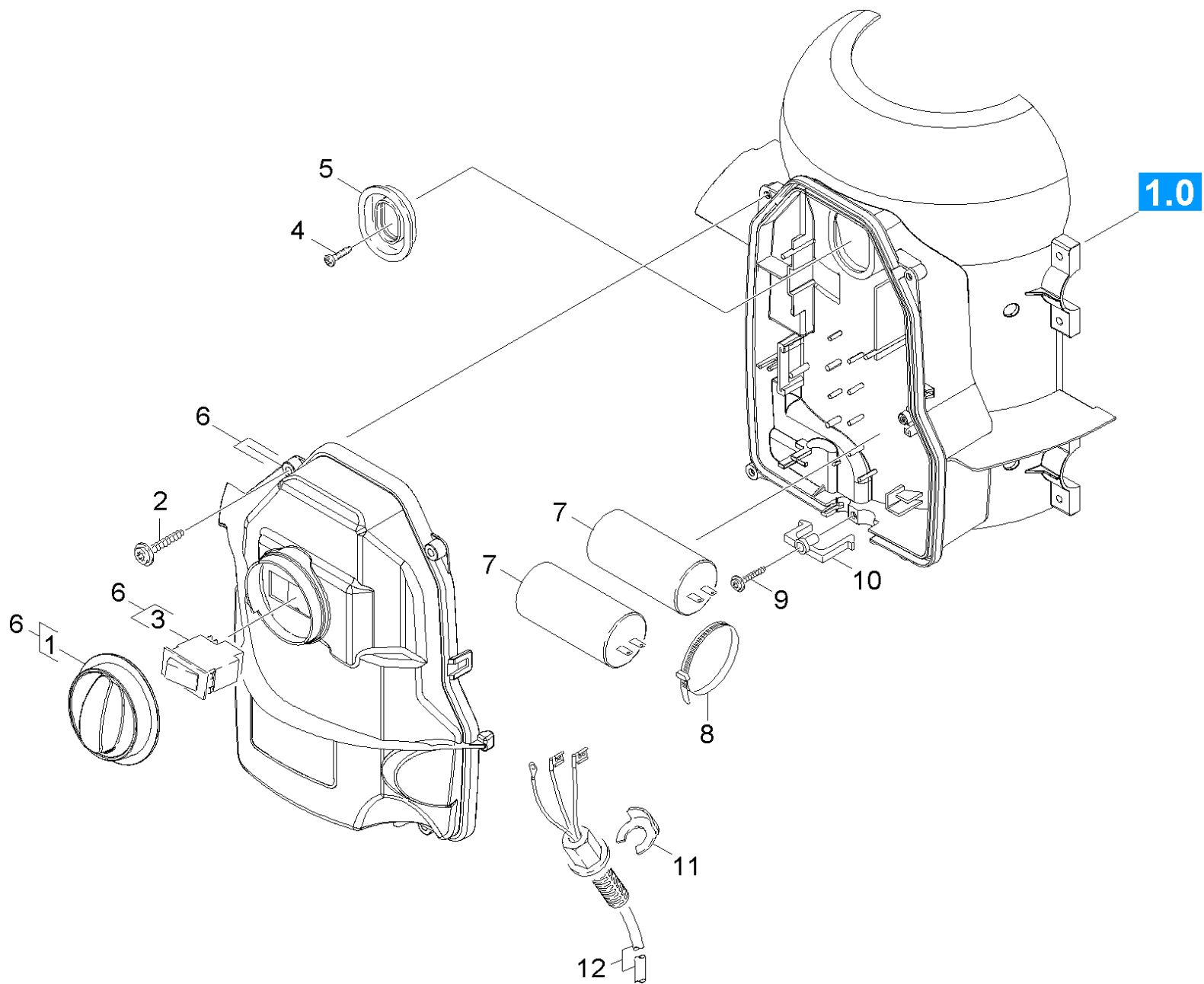
46 Dirt blaster TR 040 Prof. (4.114-041.0)

POS	Article no.	Description	Quantity	Unit
3	5.060-500.3	Housing	1.000	ST
4	5.111-570.0	Cover dirt blaster TR 040 Prof.	1.000	ST
7	5.111-566.0	Protection part dirt blaster TR	1.000	ST
999	2.883-471.0	Spare part set dirt blaster 04-HD 1050	1.000	ST



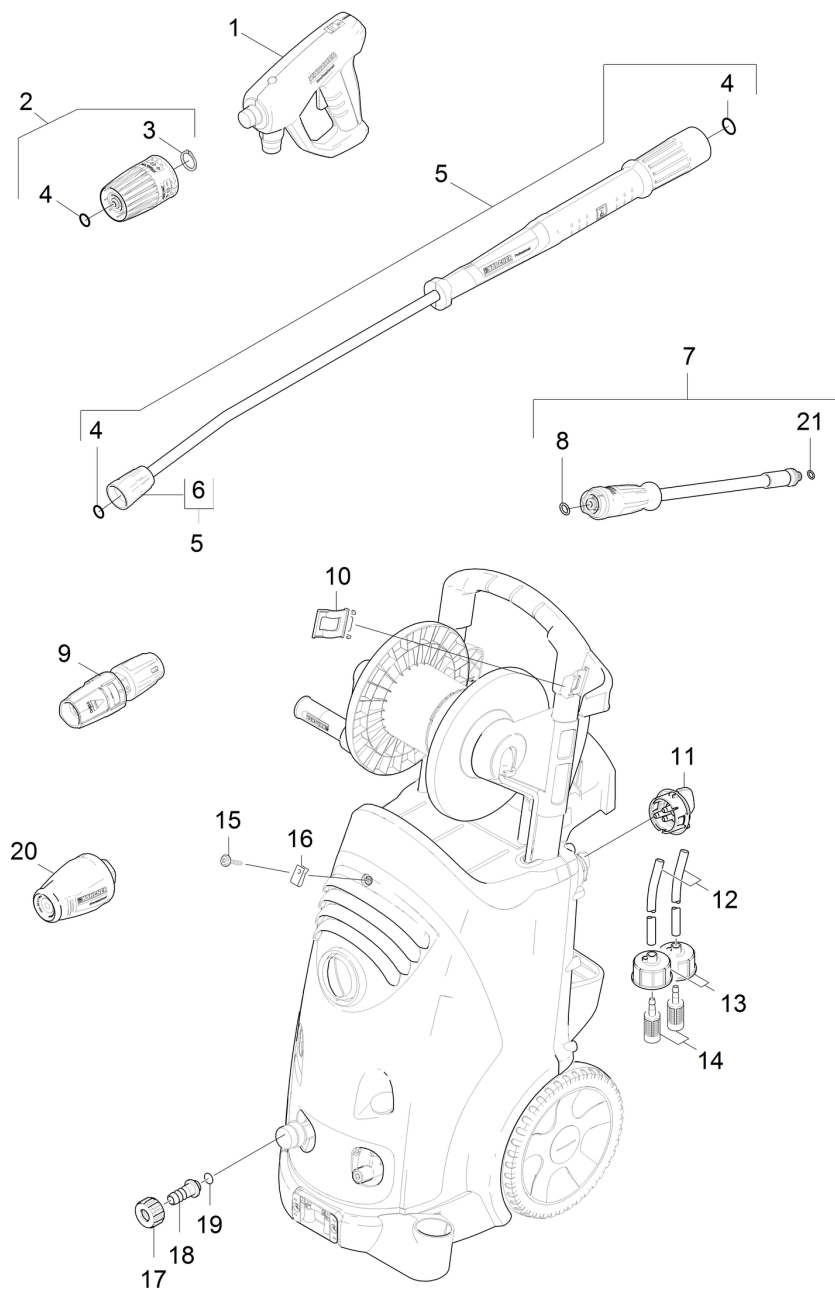
999 Spare part set dirt blaster 04-HD 1050 (2.883-471.0)

POS	Article no.	Description	Quantity	Unit
6	6.362-463.0	O-Ring seal 28,0 X 2,0-NBR 78	1.000	ST



50 Electric box

POS	Article no.	Description	Quantity	Unit
1	5.322-098.0	Handle switch gelb	1.000	ST
2	7.303-108.0	Screw 5x20 -10.9-R2R (In6Rd)	4.000	ST
3	6.631-603.0	Rocker switch	1.000	ST
4	7.303-031.0	Screw M4x10 -St-P2R (In6Rd)	1.000	ST
5	5.365-181.0	Profile gasket	1.000	ST
6	4.744-268.0	Switch complete	1.000	ST
7	6.661-290.3	Capacitor 30mF	2.000	ST
8	6.647-081.0	Cable tape	1.000	ST
9	6.303-200.0	Screw 5x25-IN6RD	1.000	ST
10	5.263-051.0	Tensioning part	1.000	ST
11	6.343-186.0	Locking ring	1.000	ST
12	6.649-449.0	Cable with plug *EU	1.000	ST



1040 Short spare parts list

POS	Article no.	Description	Quantity	Unit	Foot note text
1	4.118-005.0	EASY!Force Advanced	1.000	ST	
2	4.118-007.0	Rotary controller TR 270L	1.000	ST	
3	7.343-069.0	Locking ring 25x1,2-1.4122 DIN 471	1.000	ST	
4	2.880-001.0	Spare part set seals TR	3.000	ST	
5	4.112-000.0	Jet pipe TR 1050 mm	1.000	ST	
6	4.112-011.0	Protection part TR only for replacement	1.000	ST	
7	6.110-037.0	Hose assembly TR rotatable DN6 25MPa 15m	1.000	ST	
8	2.880-154.0	O-Ring kit	1.000	ST	
9	4.117-032.0	Triple jet nozzle TR 038	1.000	ST	
10	5.044-216.0	Holder	1.000	ST	
11	4.580-645.0	Proportioning valve chemistry	1.000	ST	
12	6.388-216.0	Hose DN 5	1.000	M	TO ORDER AS CUT GOODS
13	4.060-866.0	Cover cleaning agents complete	2.000	ST	
14	5.731-652.0	Filter with weight	2.000	ST	
15	6.304-099.0	Saucer-head screw M 6x 18-4.8-R2R	1.000	ST	
16	6.310-053.0	Putting nut	1.000	ST	
17	5.310-076.0	Nut	1.000	ST	
18	5.443-291.0	Hose stem	1.000	ST	
19	6.362-161.0	O-Ring seal 19,3 X 2,4	1.000	ST	
20	4.114-041.0	Dirt blaster TR 040 Prof.	1.000	ST	
21	4.363-691.0	O-Ring seal kpl. -nur fuer Ersatz-	1.000	ST	