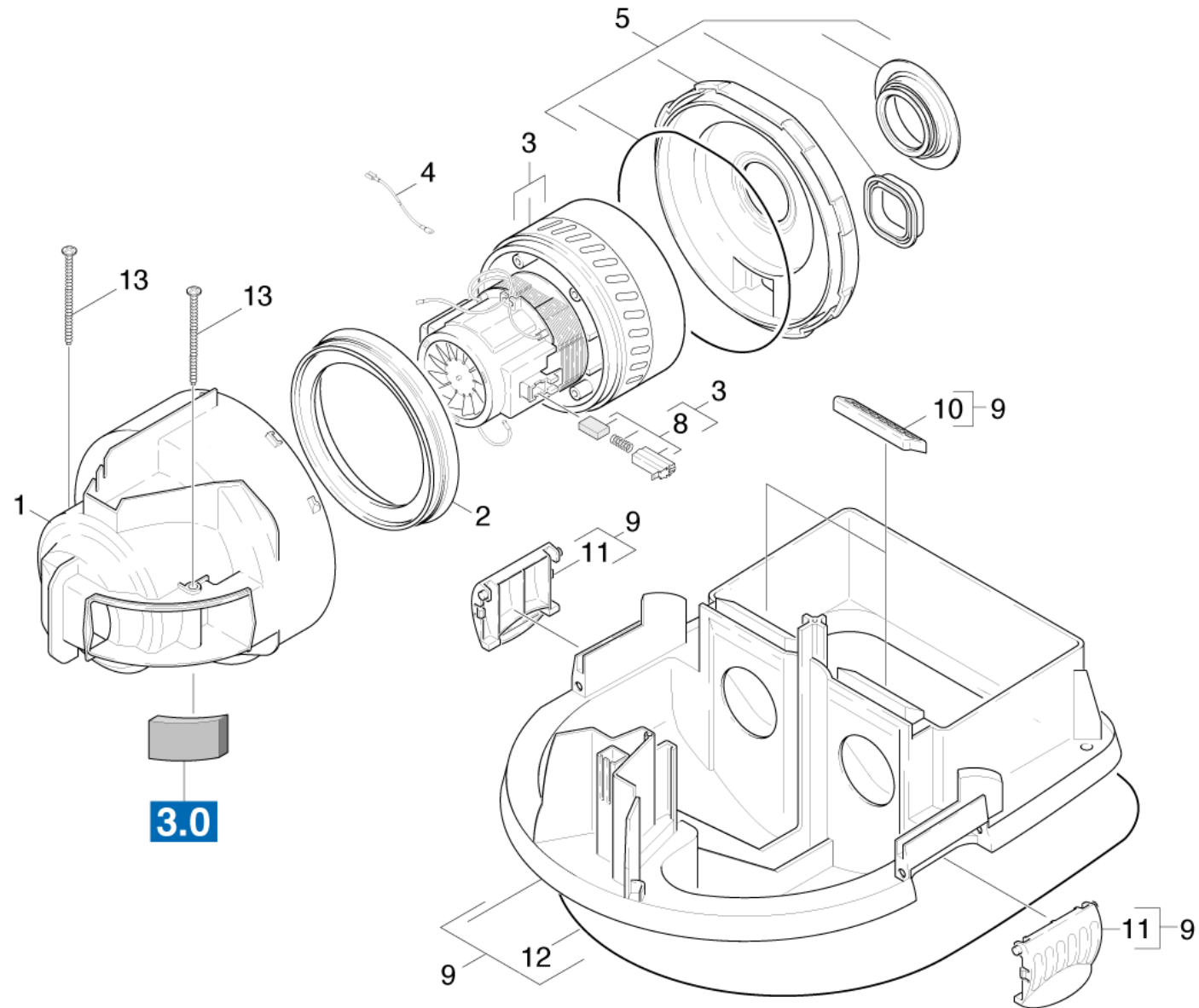


## 20 Turbine and housing

Overview technical documents/Professional/Vacuum cleaner/Wet-/dry vacuum cleaner/NT 65/2 Eco \*EUR (1.325-101.0)/Spare parts list NT 65/2 ECO/20 Turbine and housing



## 20 Turbine and housing

Overview technical documents/Professional/Vacuum cleaner/Wet-dry vacuum cleaner/NT 65/2 Eco \*EUR (1.325-101.0)/Spare parts list NT 65/2 ECO/20 Turbine and housing

Rez.daļas/nodil.pakļ.daļas	Poz.	Materiāla Nr.	Nosaukums	Daudzums	Pārdoš. vienība	no sēr. Nr..	līdz sēr. Nr.
	1	4.060-534.0	Housing	2.000	ST	0000000000	0000000000
	2	5.363-393.0	Seal	2.000	ST	0000000000	0000000000
X-X	3	6.490-182.0	Vakuuma turbīna	2.000	ST	0000000000	0000000000
Pozīcijas teksts: / 1.325-102.0							
X-X	3	6.490-166.0	Vakuuma turbīna 230V	2.000	ST	0000000000	0000000000
Pozīcijas teksts: / 1.325-101.0 / -109.0 / -141.0 / -144.0							
	4	6.648-812.0	Cable set	2.000	ST	0000000000	0000000000
	5	4.063-728.0	Cover complete	2.000	ST	0000000000	0000000000
X-X	8	6.610-246.0	Ogles birste	2.000	ST	0000000000	0000000000
	9	4.060-525.0	Housing complete	1.000	ST	0000000000	0000000000
	10	5.363-575.0	Seal aspiration	2.000	ST	0000000000	0000000000
	11	5.032-260.0	Locking clip	2.000	ST	0000000000	0000000000
X	12	6.362-857.0	Vads no porainās gumijas D10	1.000	ST	0000000000	0000000000
	13	7.303-155.0	Screw 5x100-A2-70 (IN6RD)	4.000	ST	0000000000	0000000000