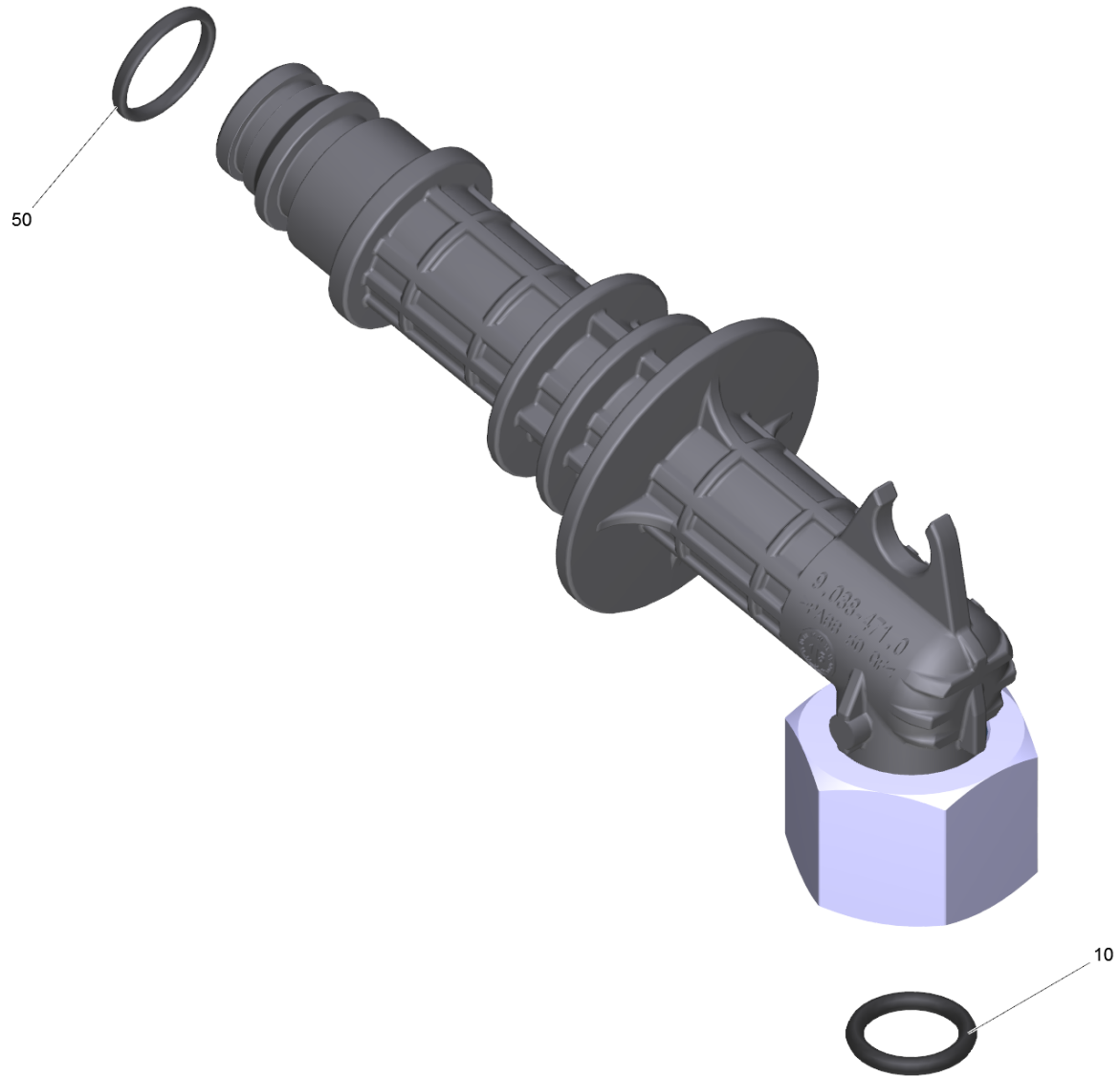


150 HP inner fitting K5 FC AI (9.013-435.0)

Home and Garden \ High pressure cleaner cold water \ Electric motor \ K 5 \ K 5 Full Control Home *EU \ Spare parts list K5 FC Home*EU \ Pump set K5 FC *EU \ HP inner fitting K5 FC AI



150 HP inner fitting K5 FC AI (9.013-435.0)

Home and Garden \ High pressure cleaner cold water \ Electric motor \ K 5 \ K 5 Full Control Home *EU \ Spare parts list K5 FC Home*EU \ Pump set K5 FC *EU \ HP inner fitting K5 FC AI



POS	Article no.	Description	Quantity	Unit
10	6.362-151.0	O-Ring d. 10 x 2 NBR 70	1.000	ST
50	9.080-422.0	O-RING 11,5X1,5 NBR 70	1.000	ST